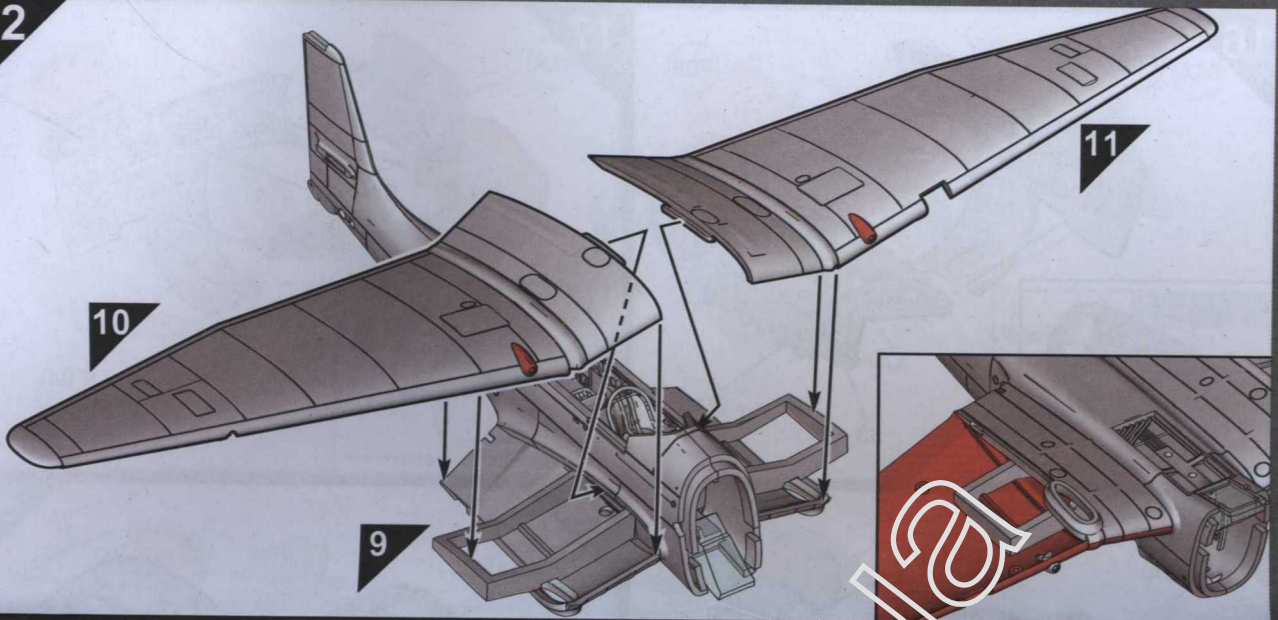
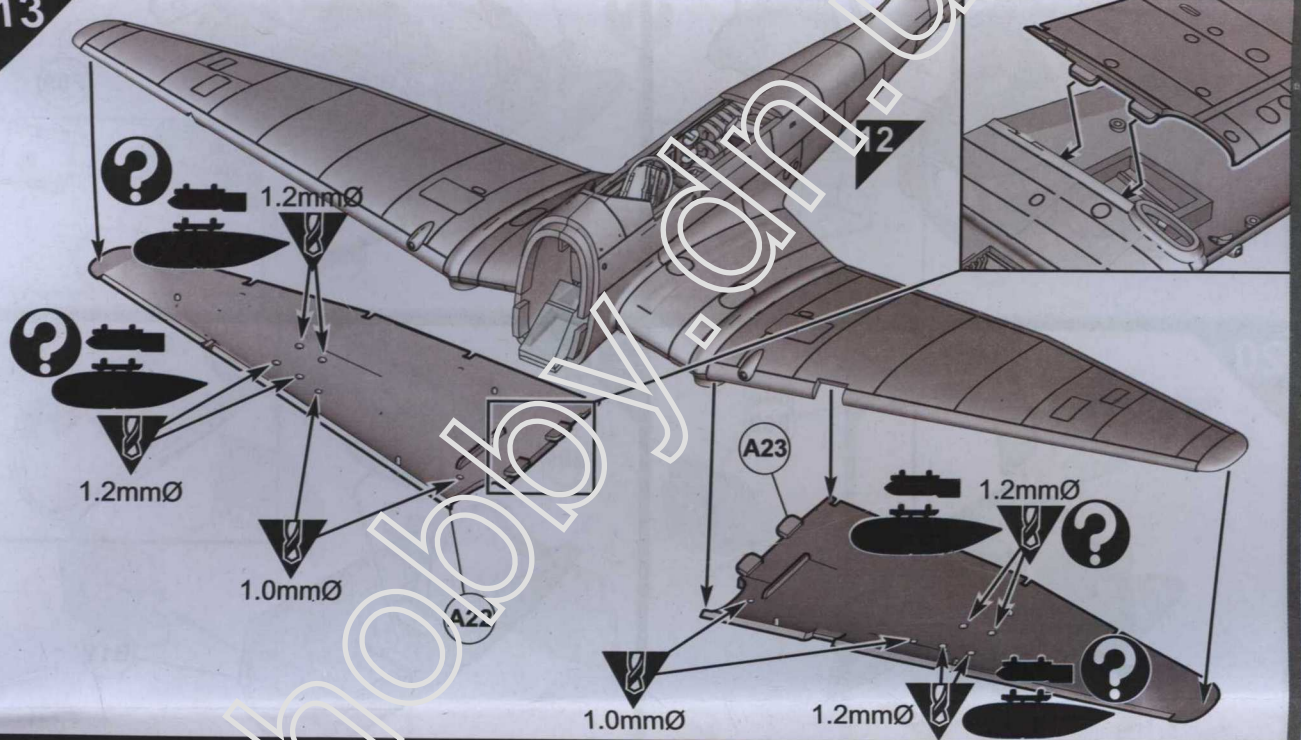


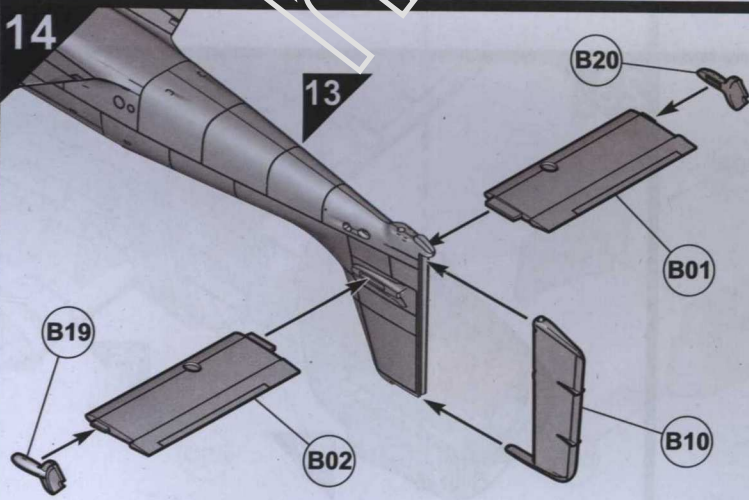
12



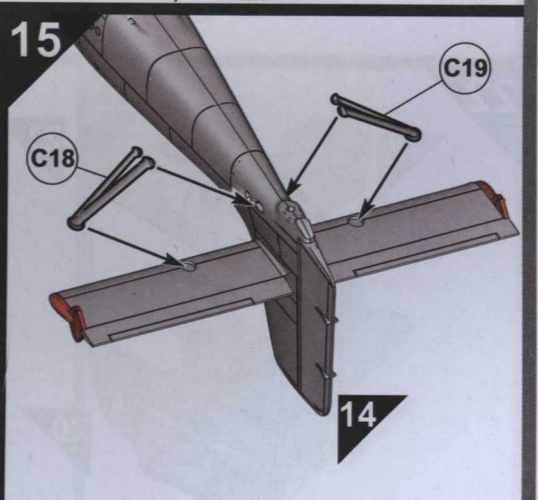
13



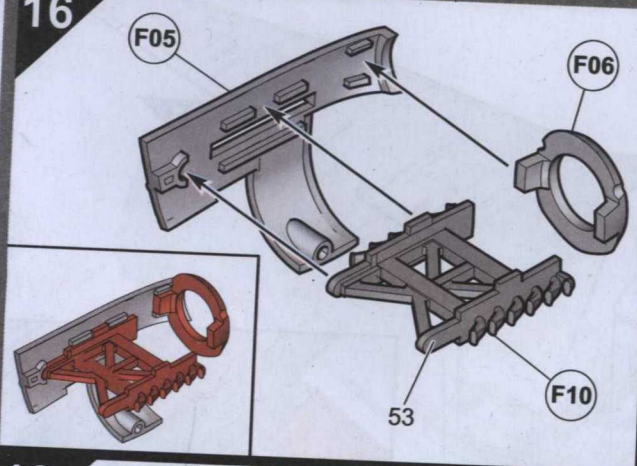
14



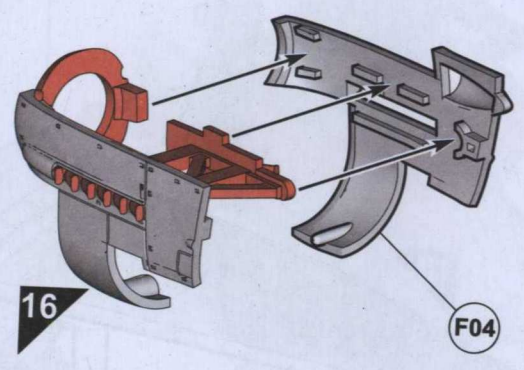
15



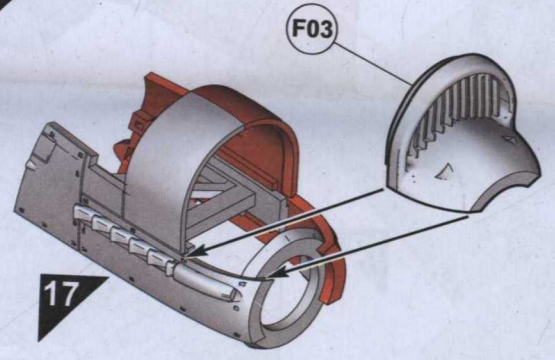
16



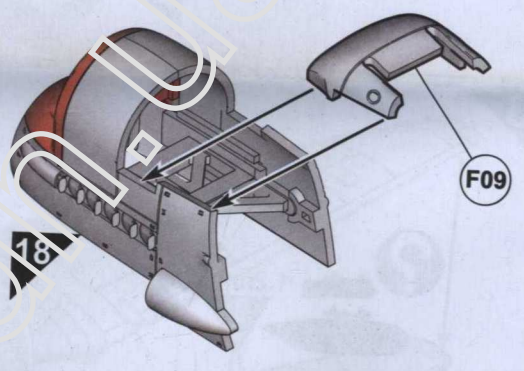
17



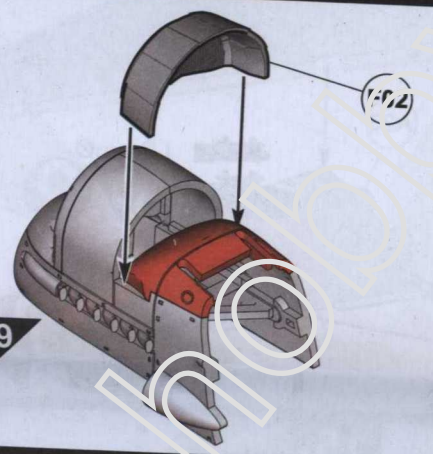
18



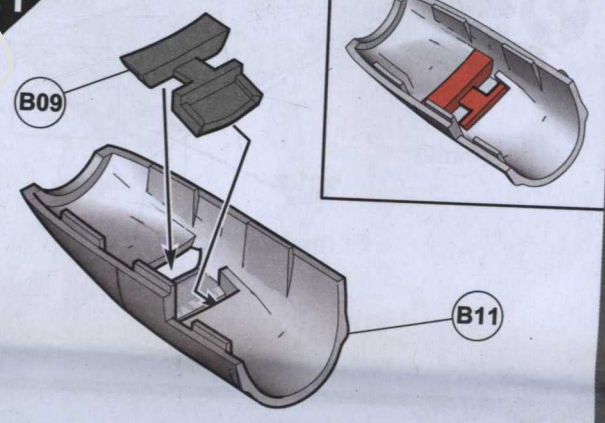
19



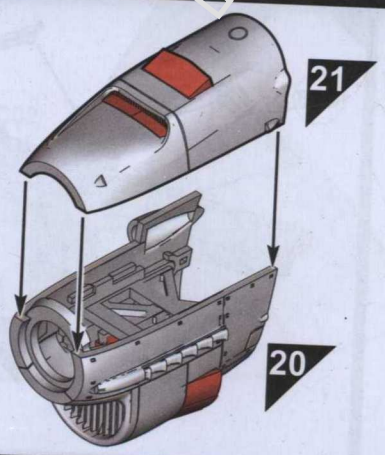
20



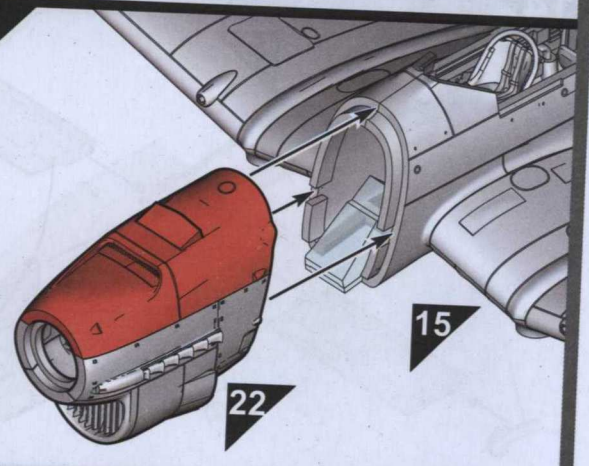
21



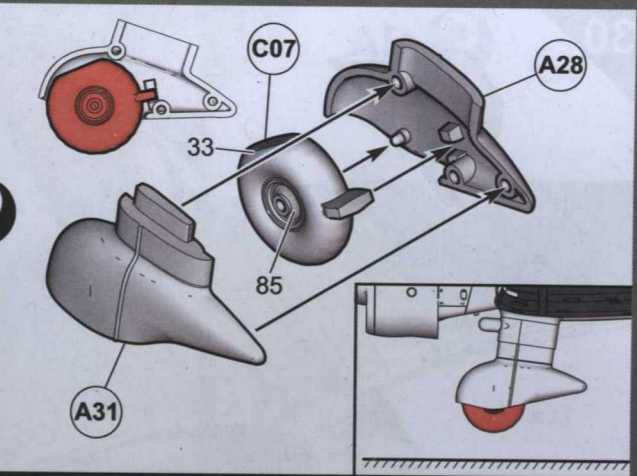
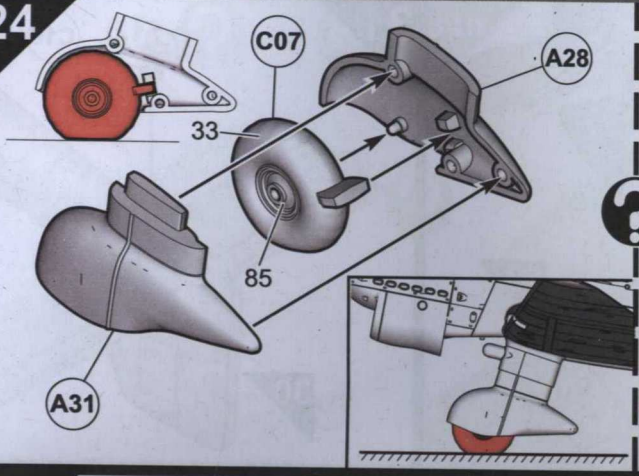
22



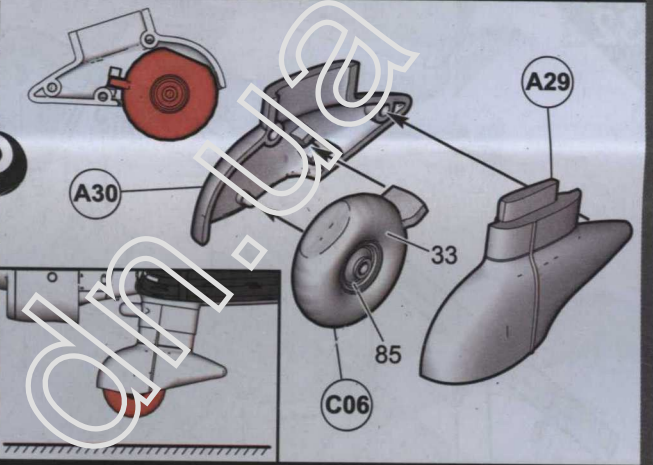
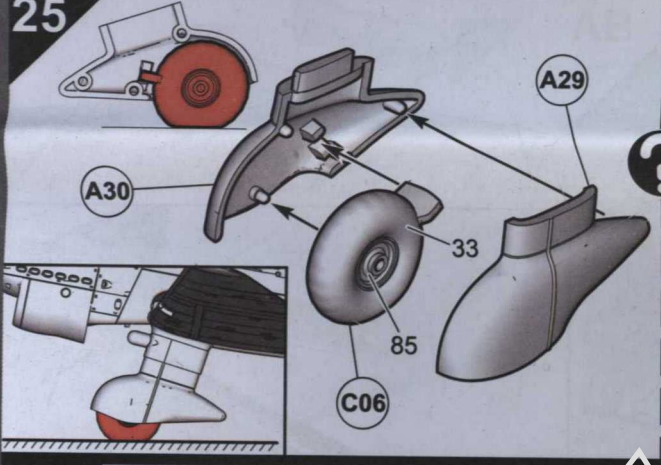
23



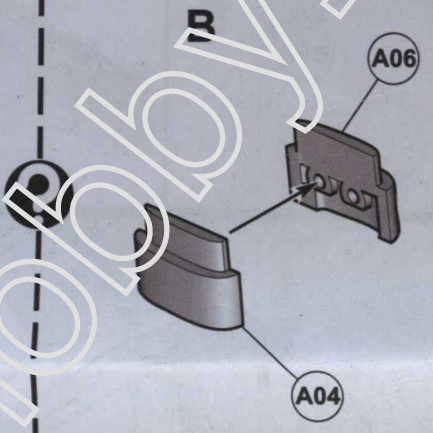
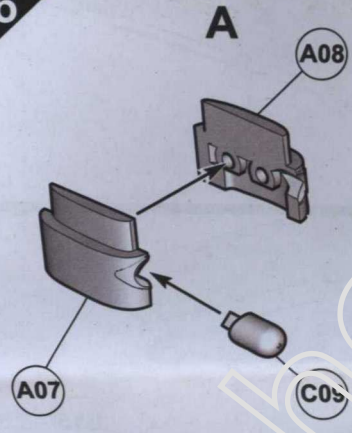
24



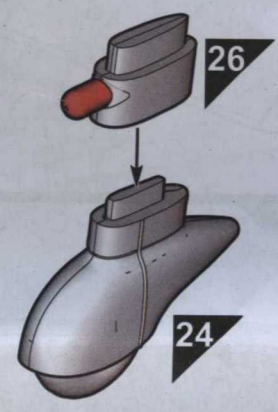
25



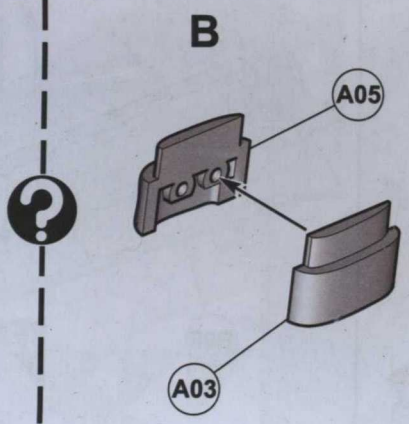
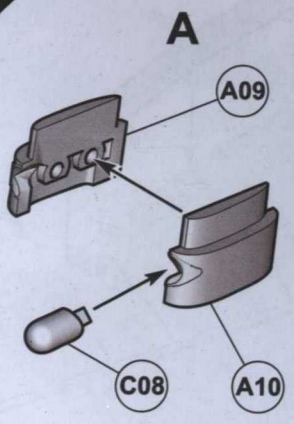
26



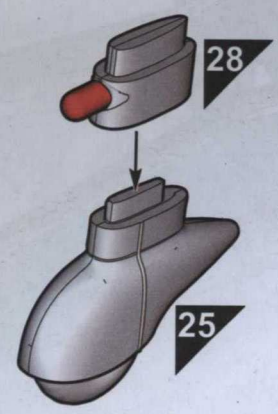
27



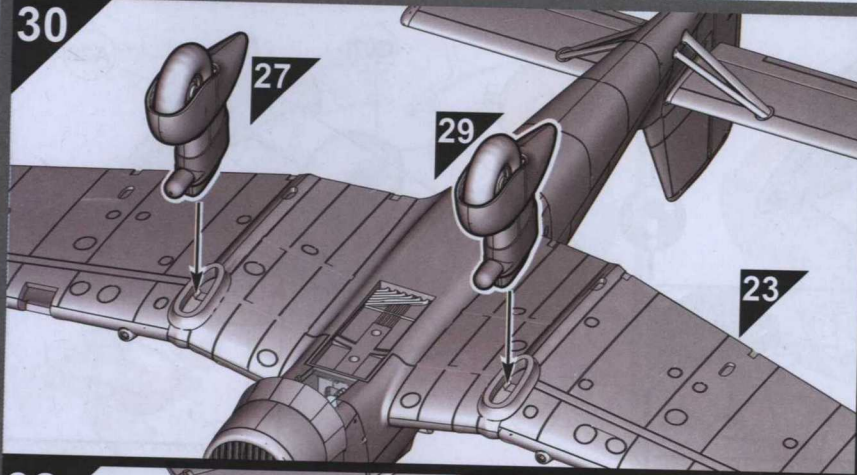
28



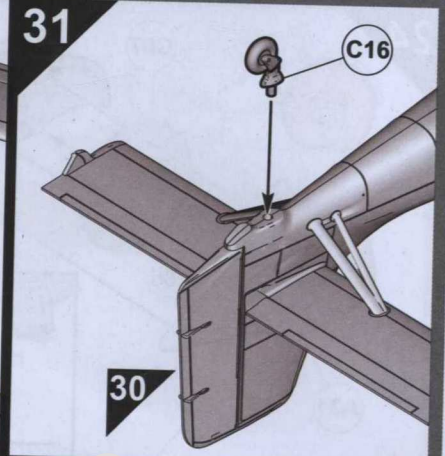
29



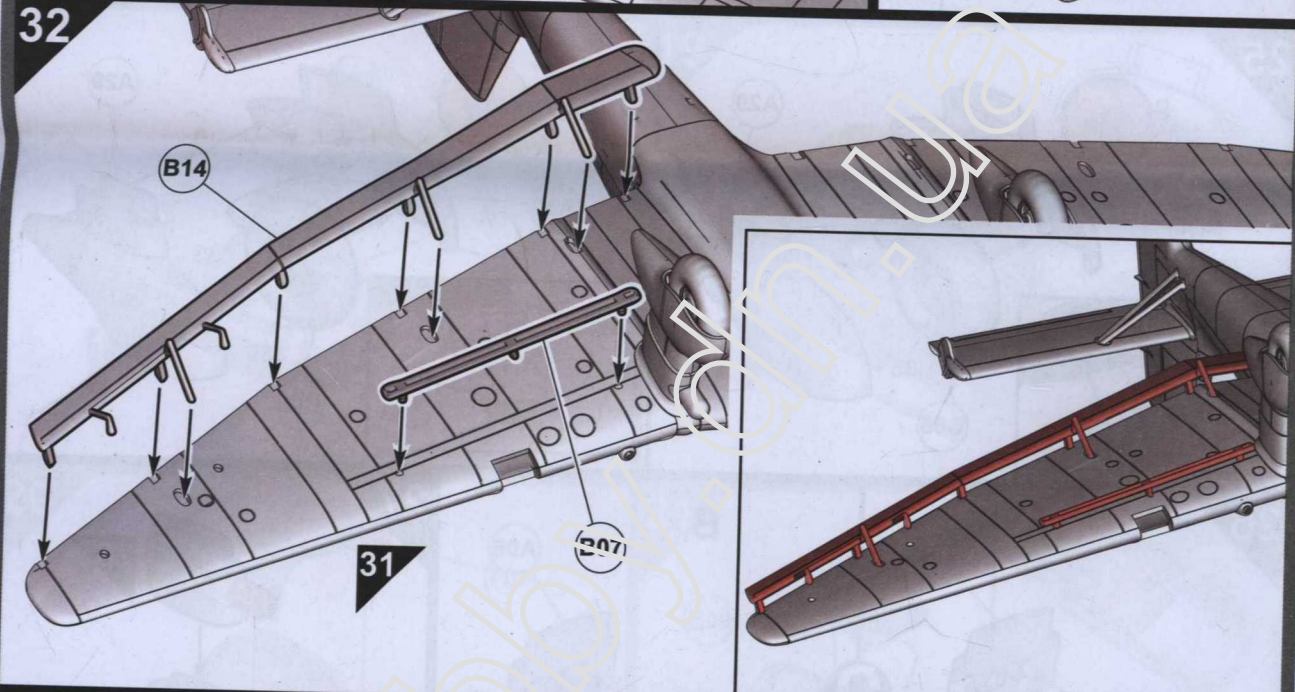
30



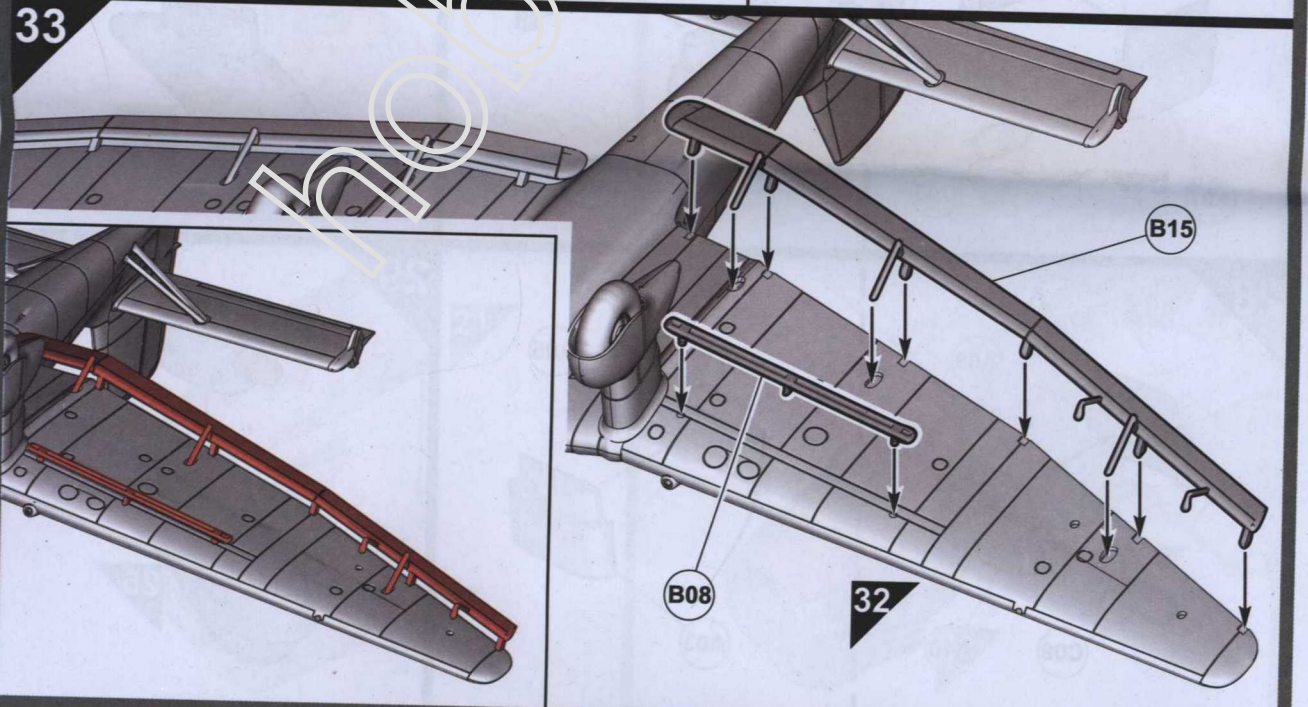
31



32



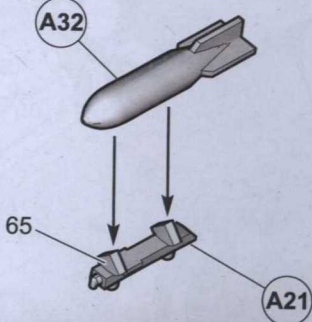
33



34a

AB ?

x4

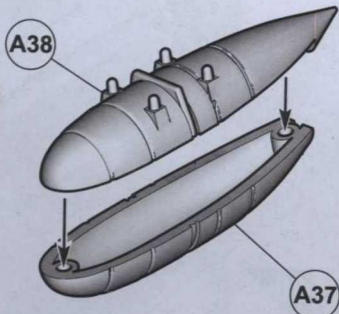


34b

B ?

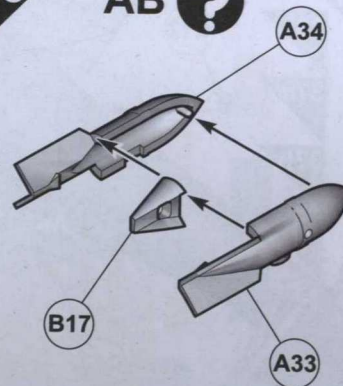
x2

?



35

AB ?



36a

34a

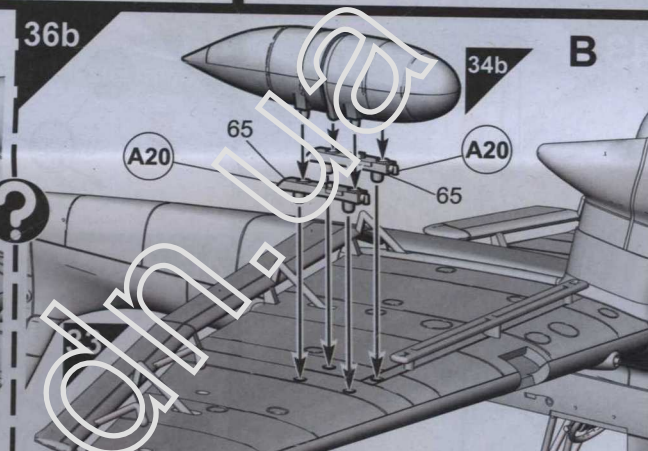
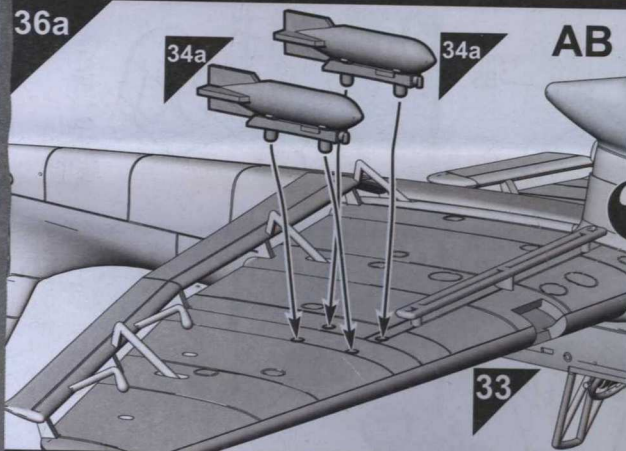
34a

AB

36b

34b

B



37a

34a

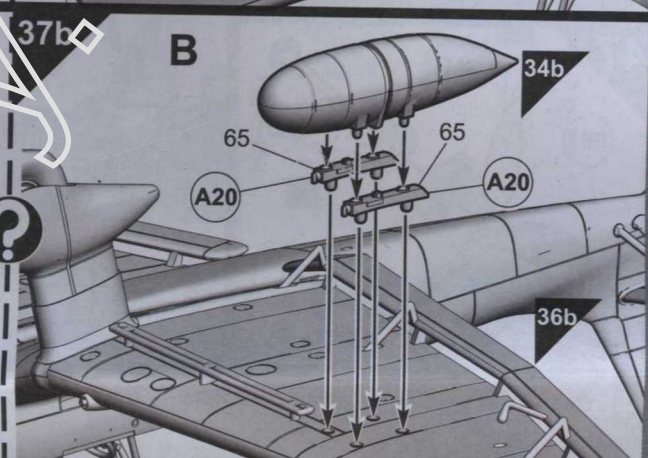
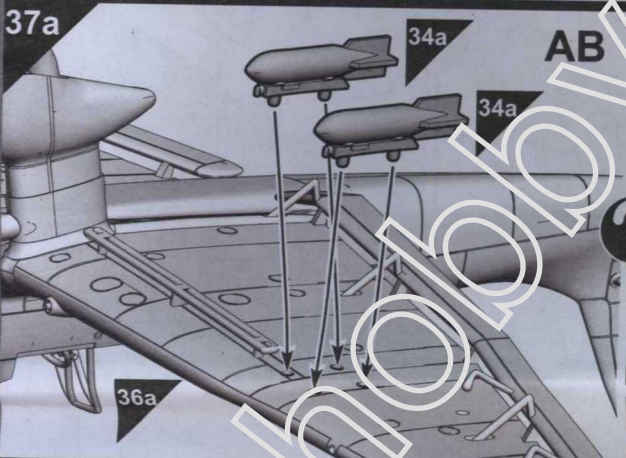
34a

AB

37b

B

34b



38

35

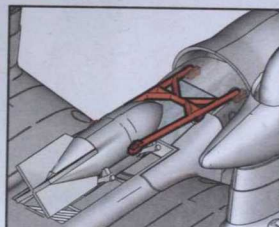
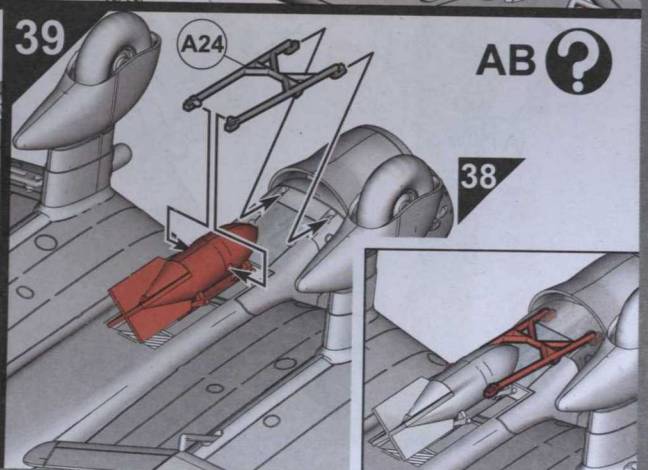
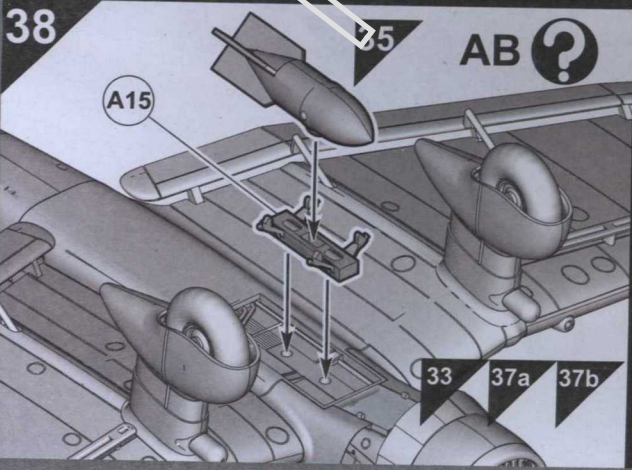
AB ?

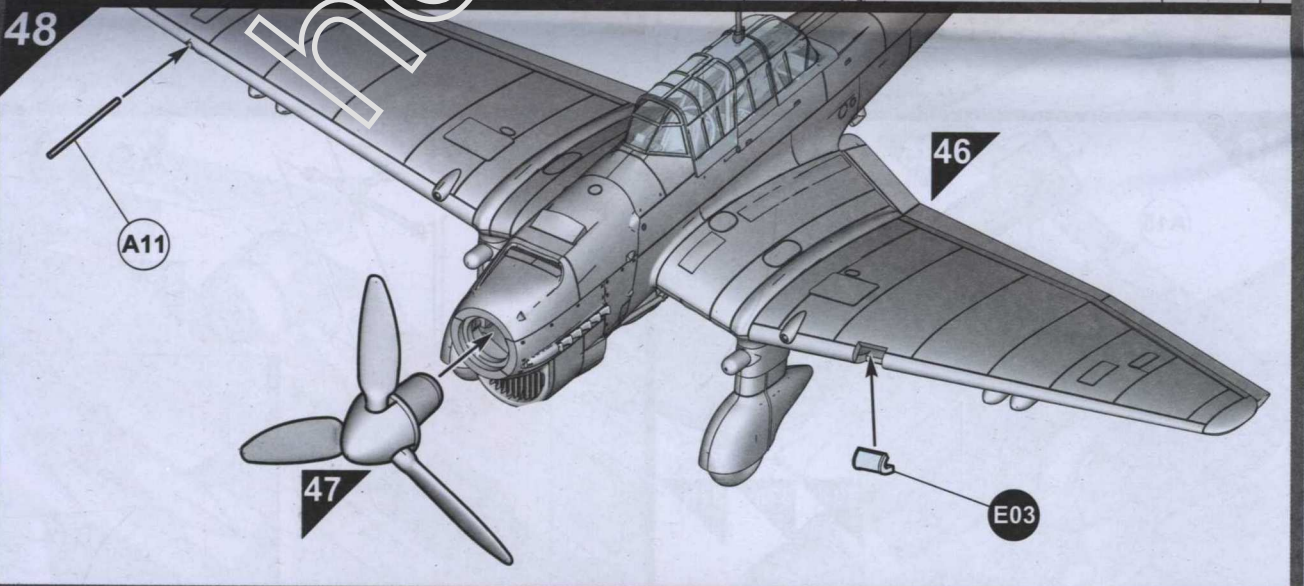
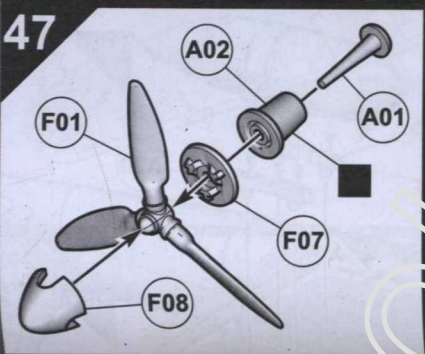
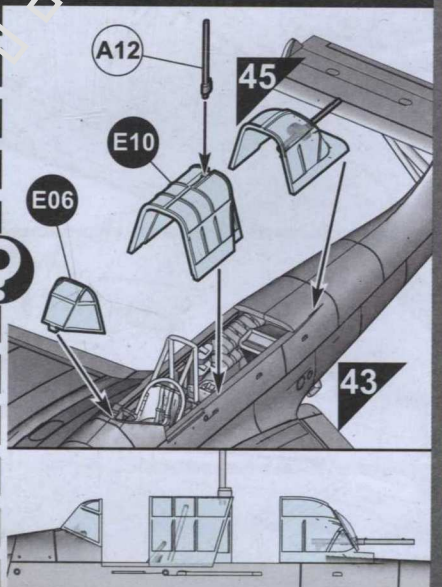
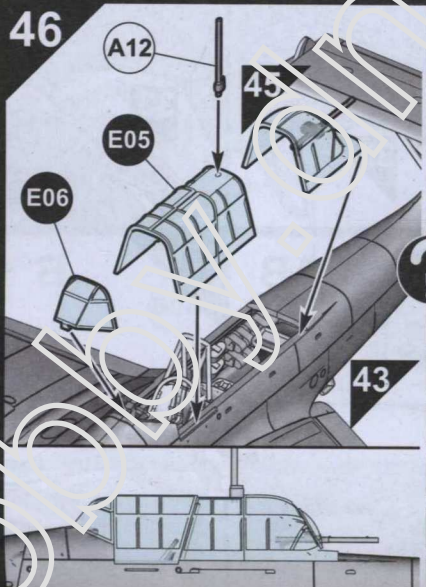
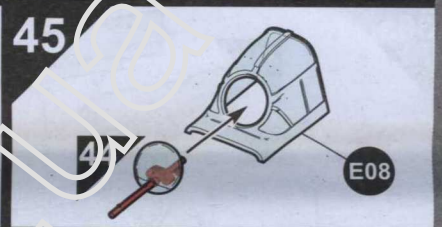
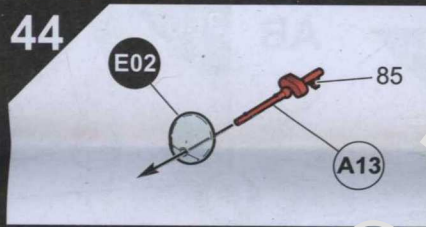
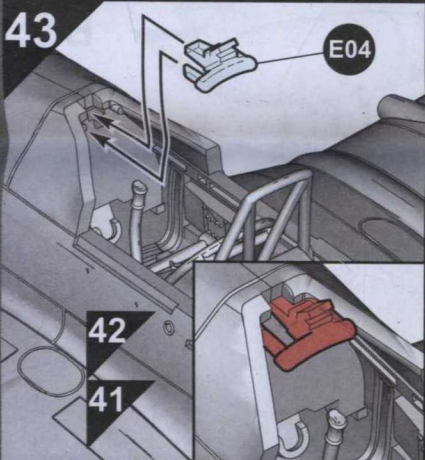
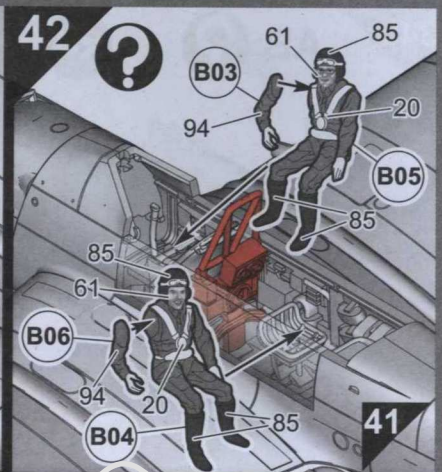
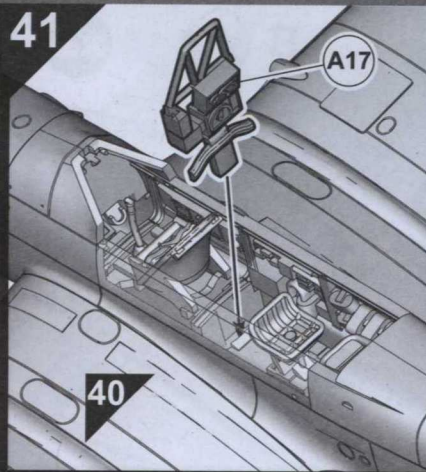
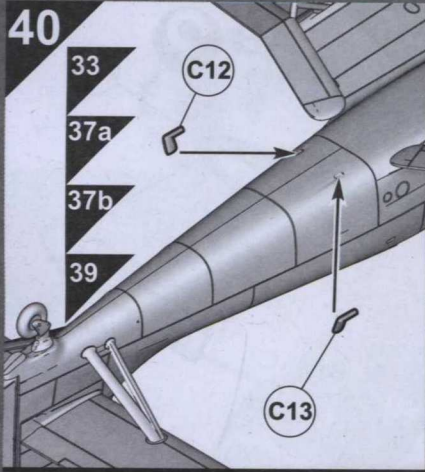
39

A24

AB ?

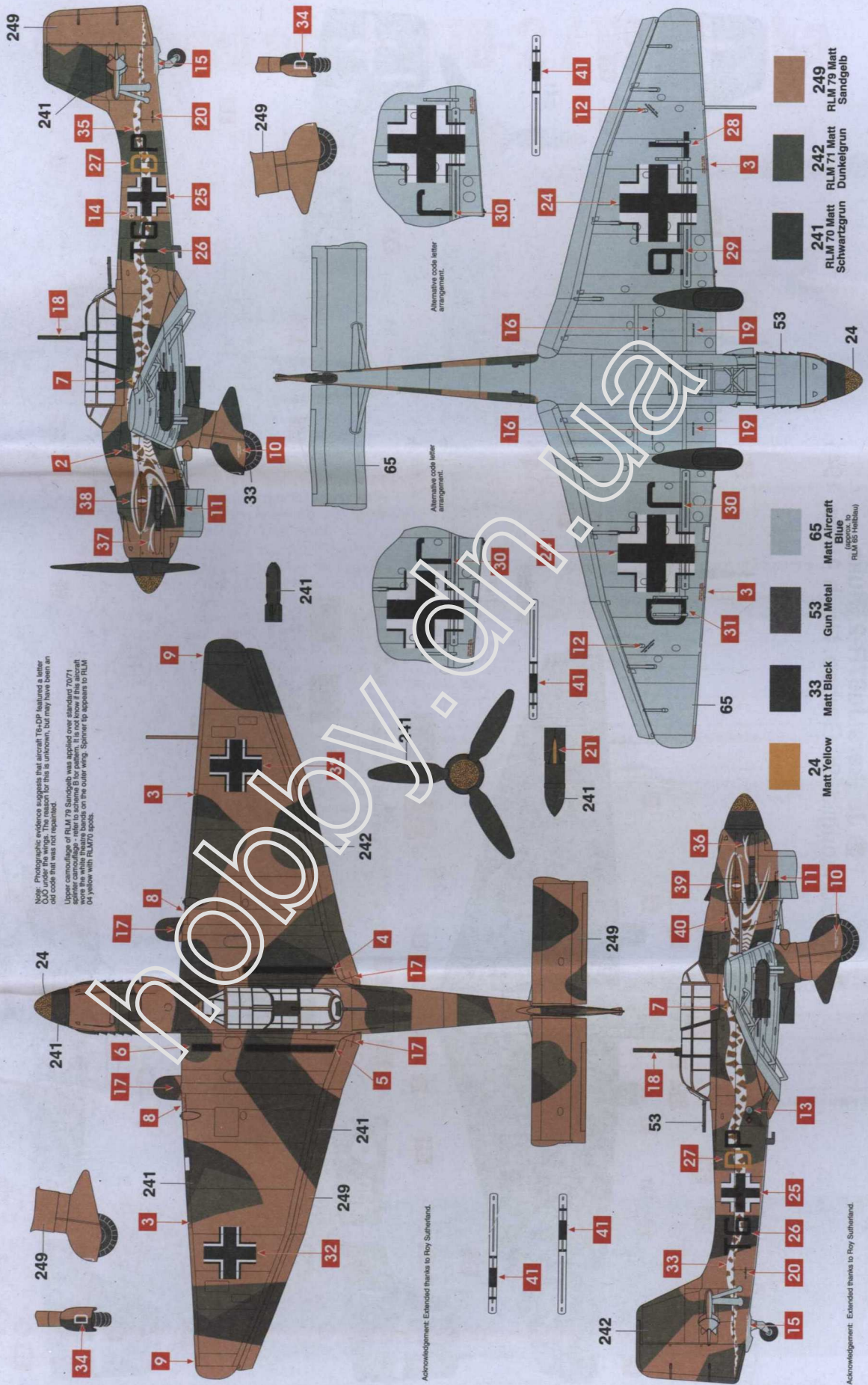
38





A Junkers Ju87B-2 Stuka 6./Sturzkampfgeschwader 2 OimmelmannO, Tmimi, Libya, July 1941.

Note: Photographic evidence suggests that aircraft TE-DP featured a letter 'D' on the fuselage, but this is unknown, but may have been an old code that was not repainted.
Upper camouflage of RLM 79 Sandgelb was applied over standard 7071 spinner camouflage - refer to scheme B for pattern. It is not known if the aircraft had yellow with RLM70 spots on the outer wing. Spinner tip appears to RLM 04 yellow with RLM70 spots.



Acknowledgment: Extended thanks to Roy Sutcliffe.

Acknowledgment: Extended thanks to Roy Sutcliffe.