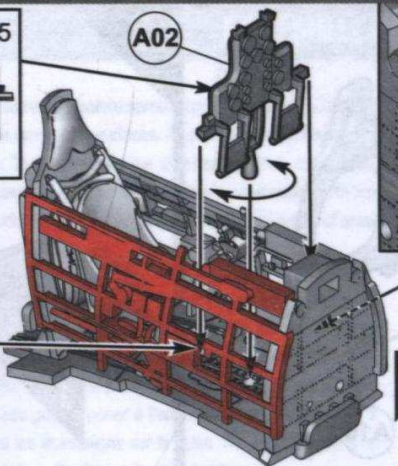
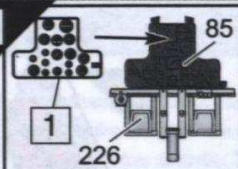
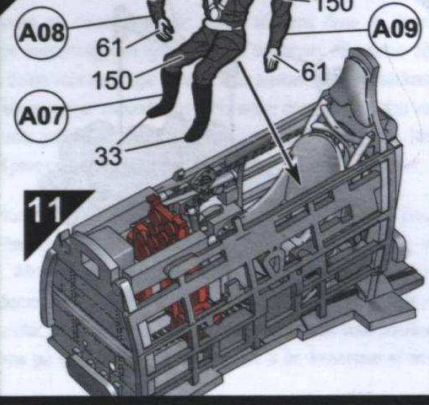
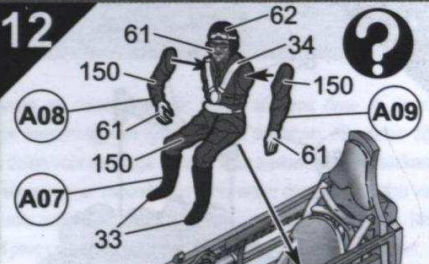


11



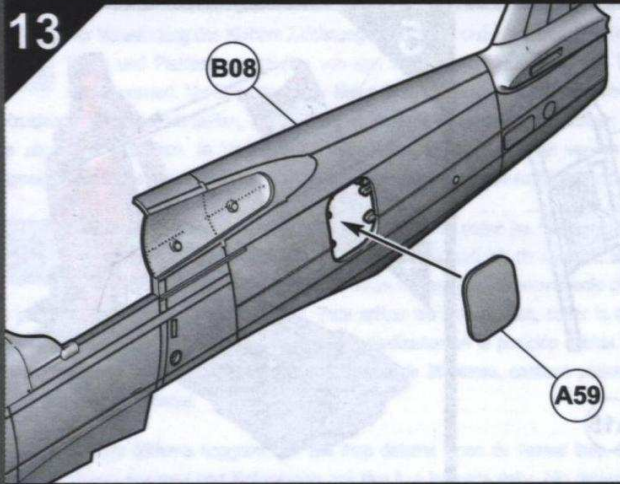
10

12

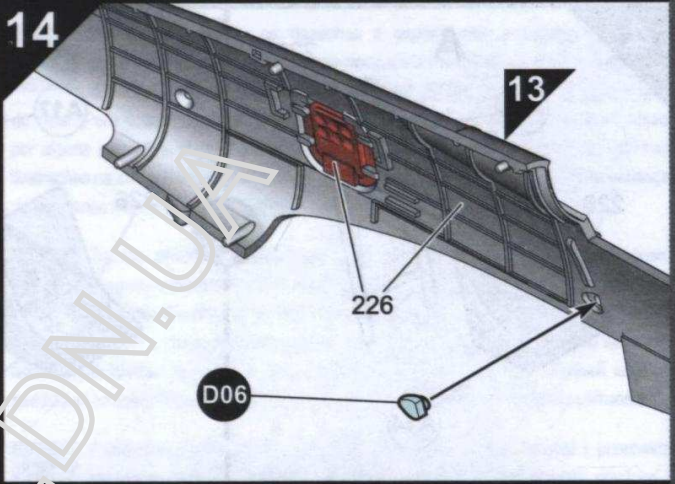


11

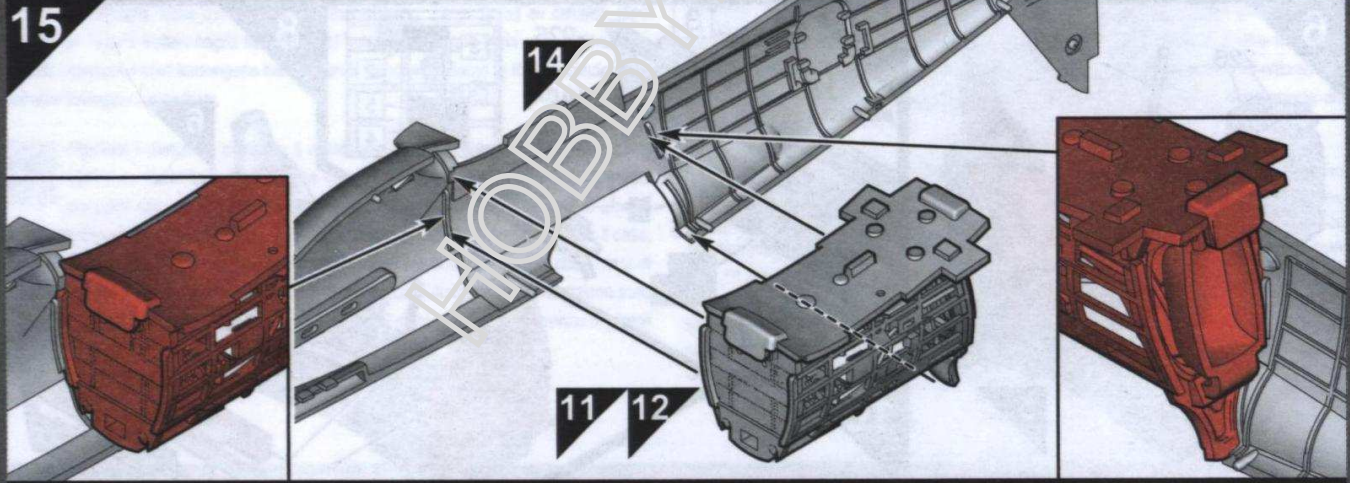
13



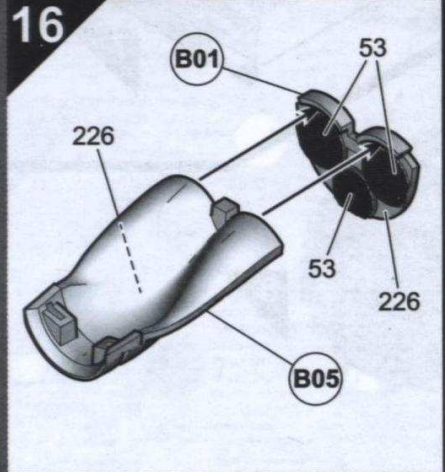
14



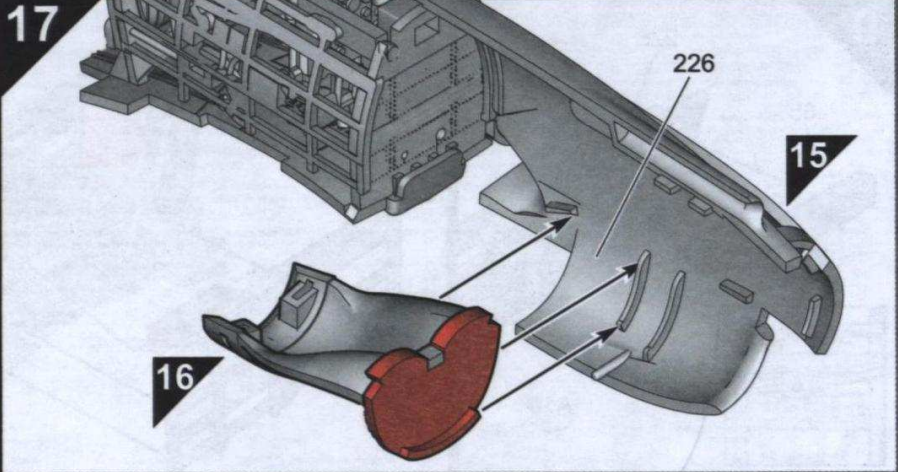
15

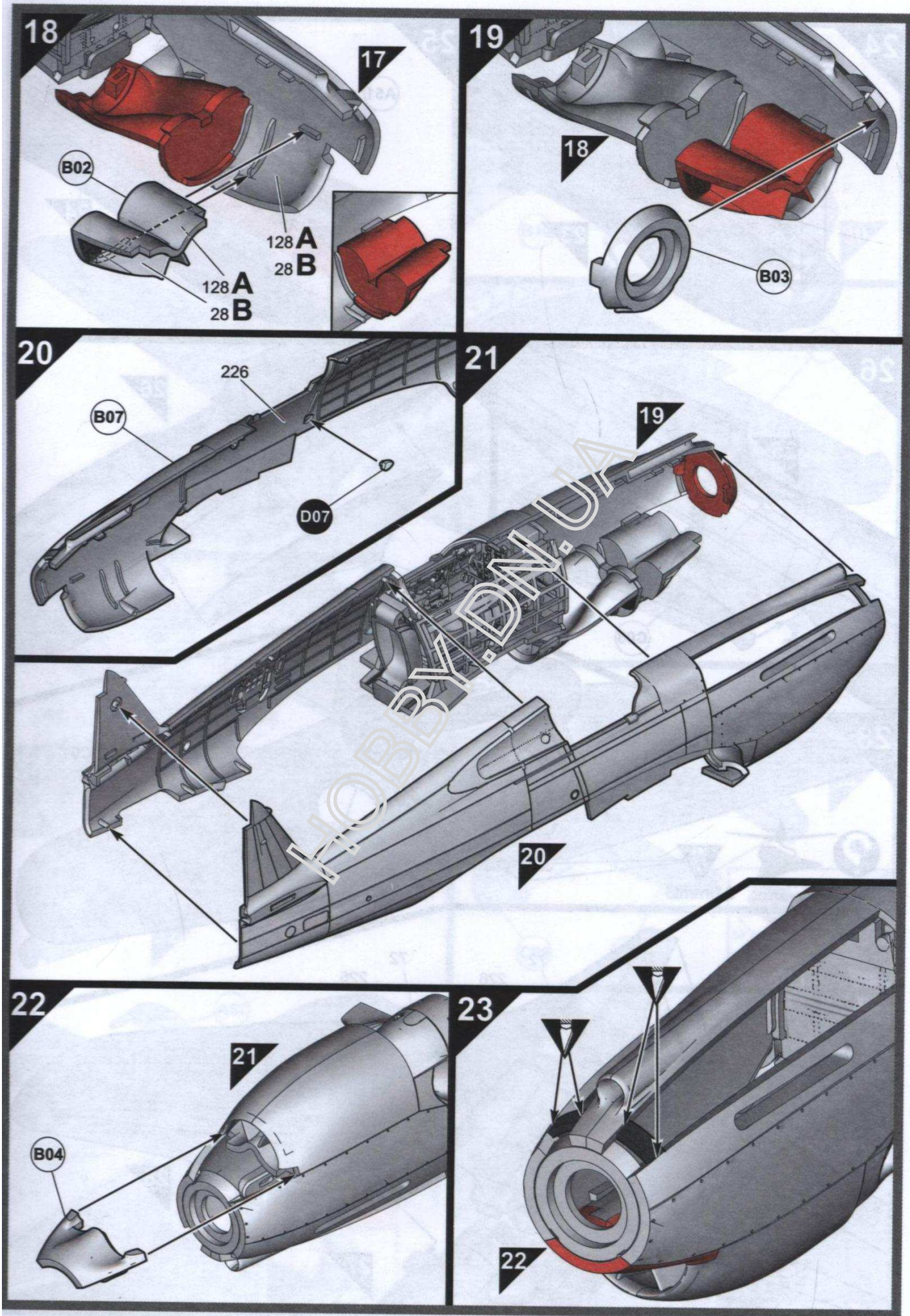


16

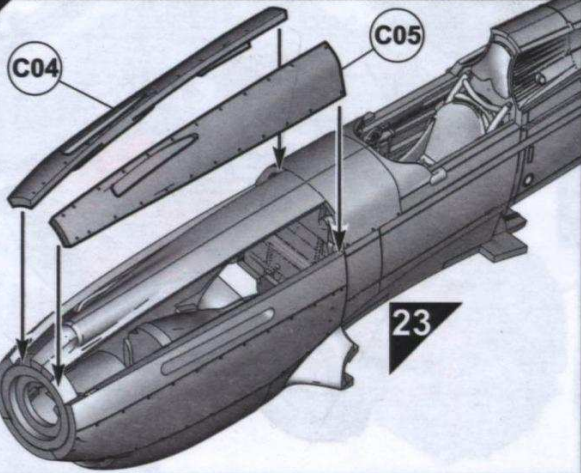


17

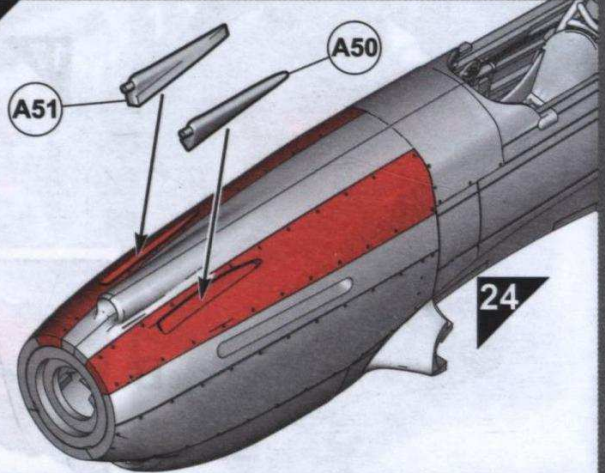




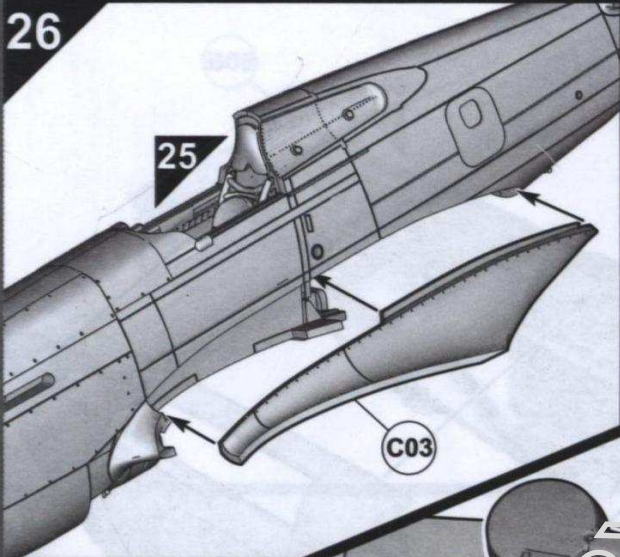
24



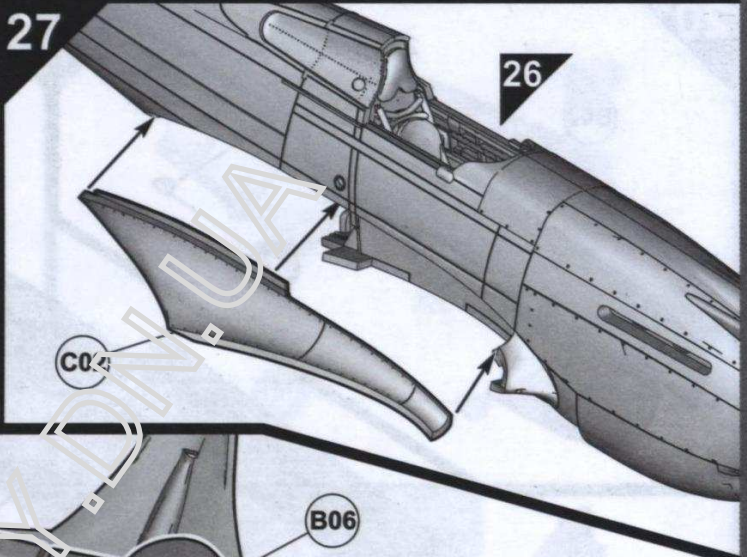
25



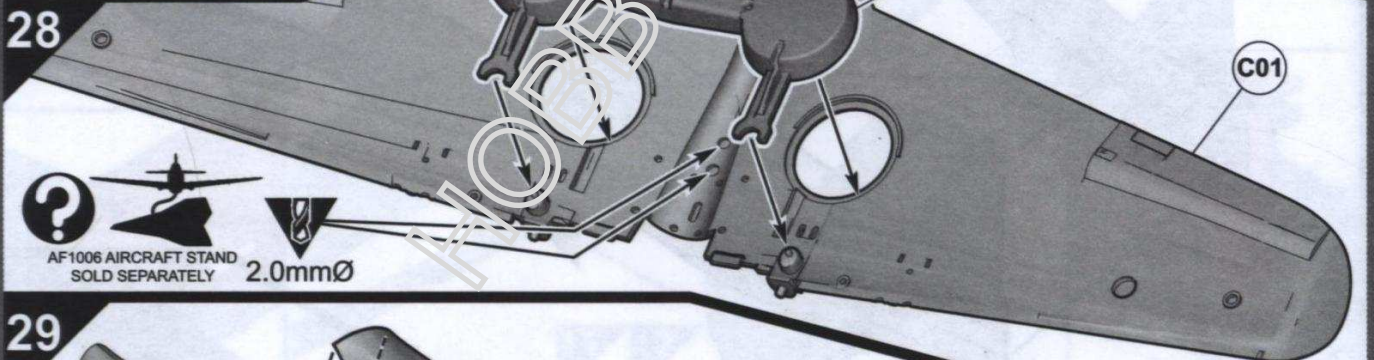
26



27

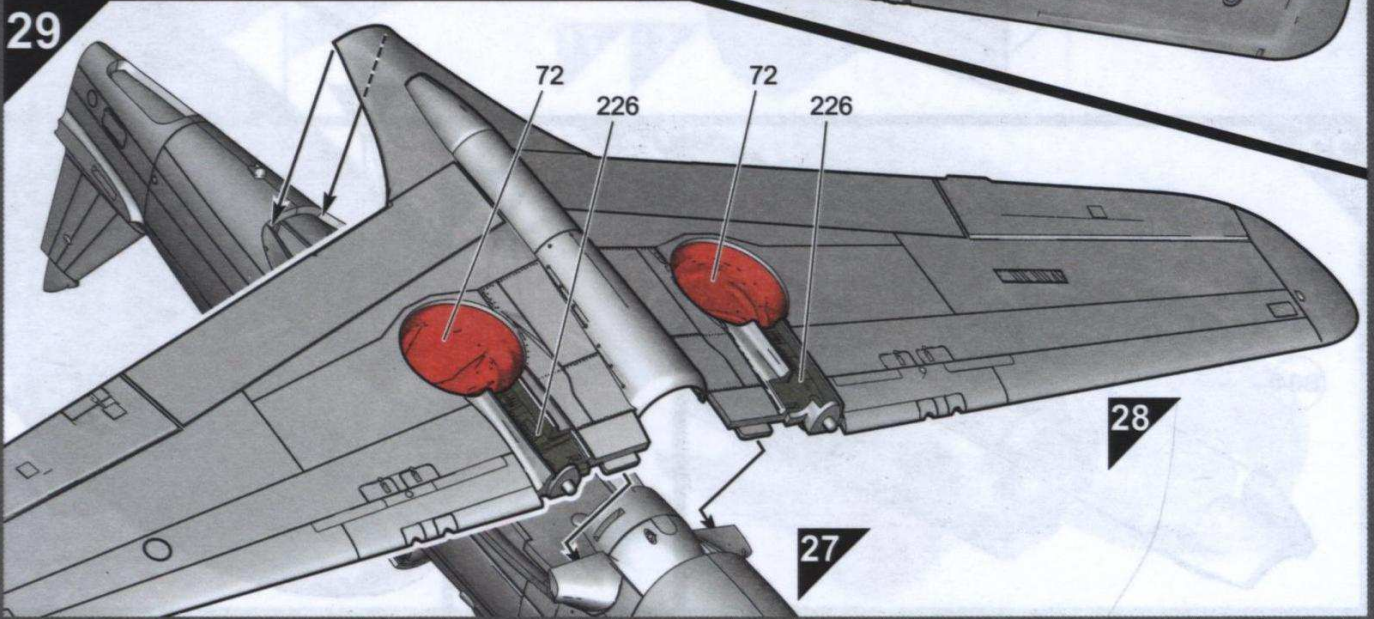


28

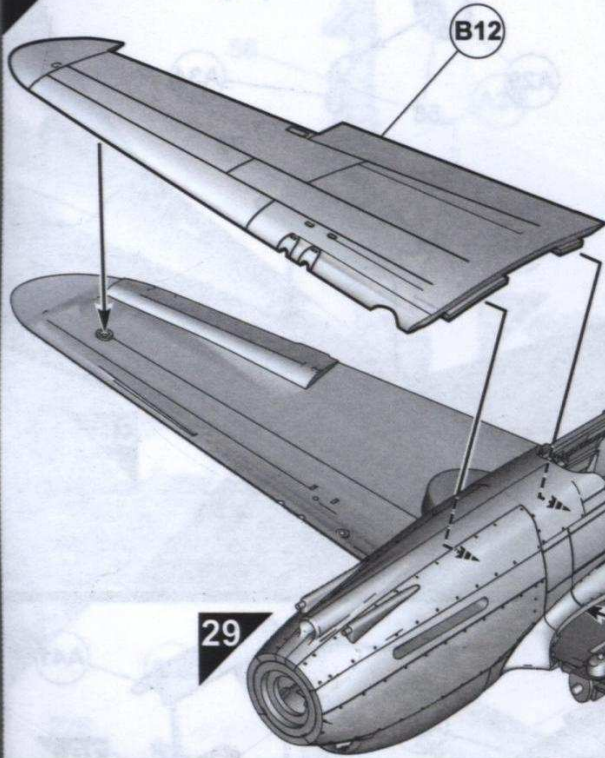


  
 AF1006 AIRCRAFT STAND
 SOLD SEPARATELY 2.0mmØ

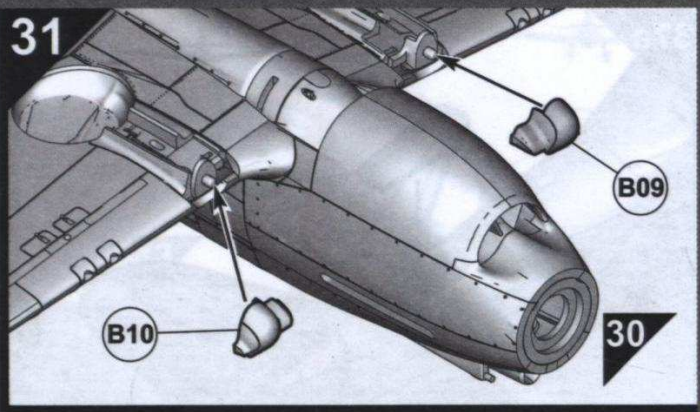
29



30



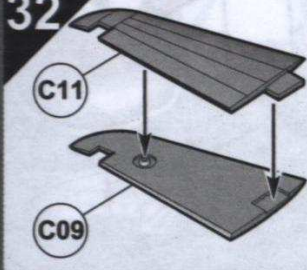
31



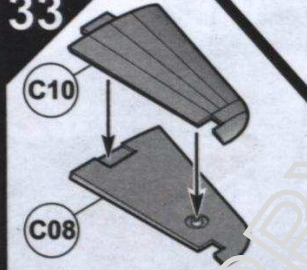
29

B11

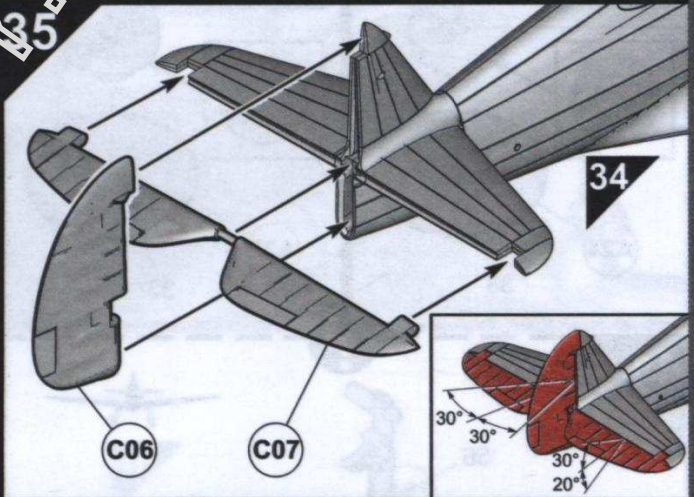
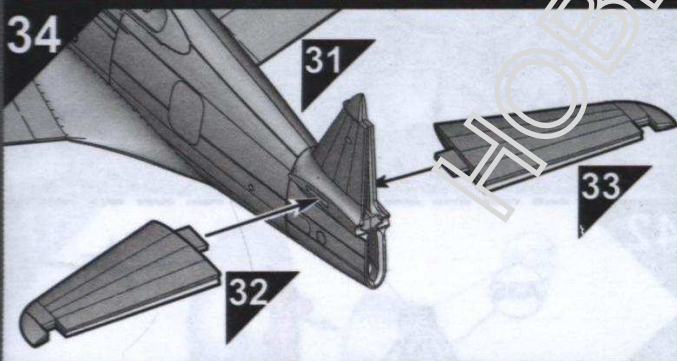
32



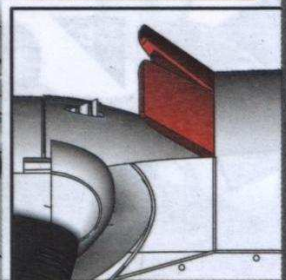
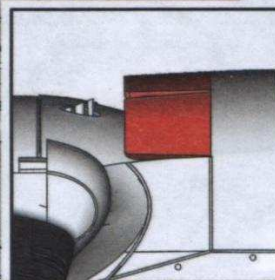
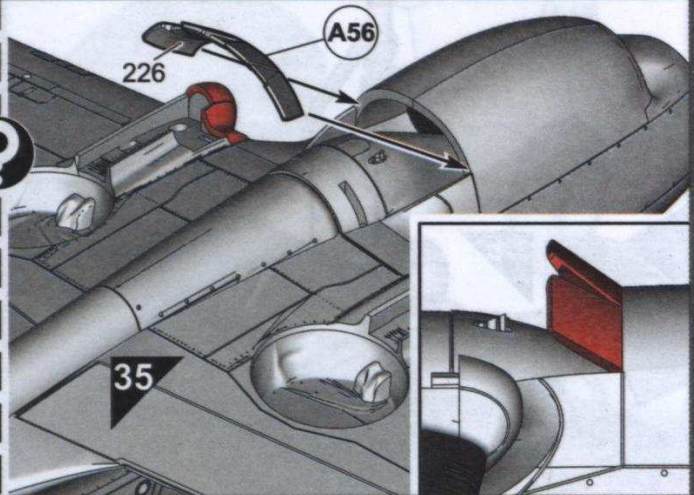
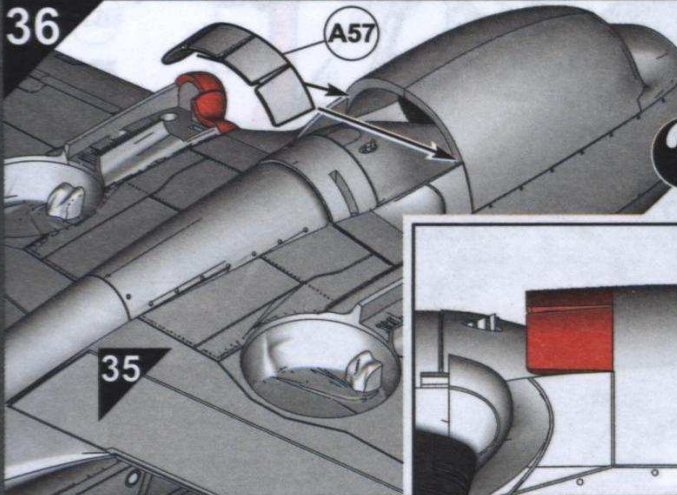
33

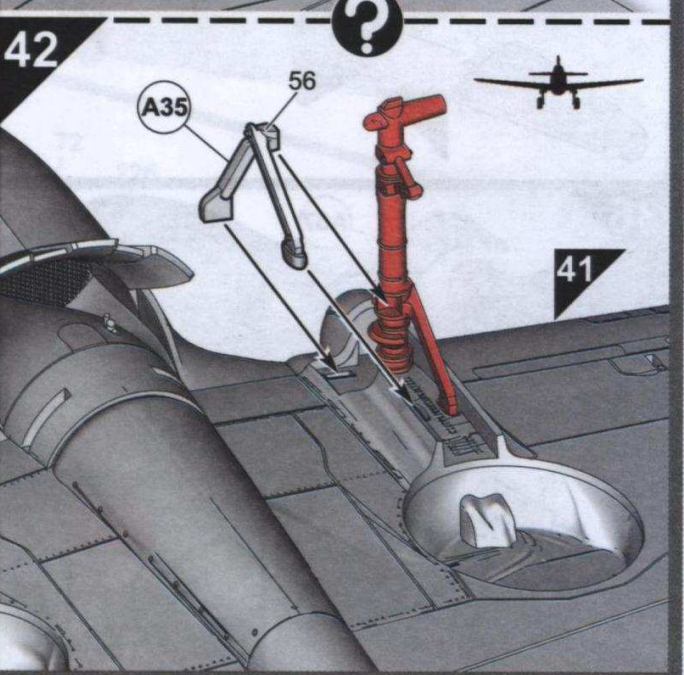
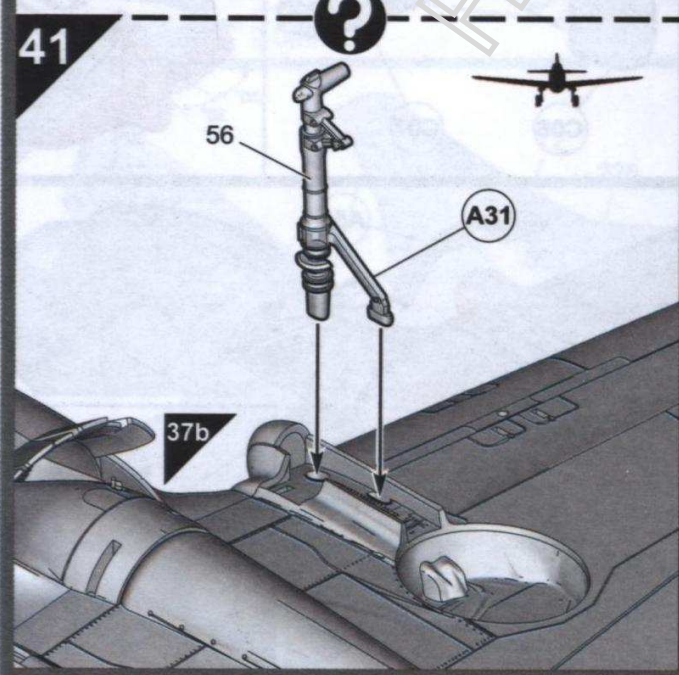
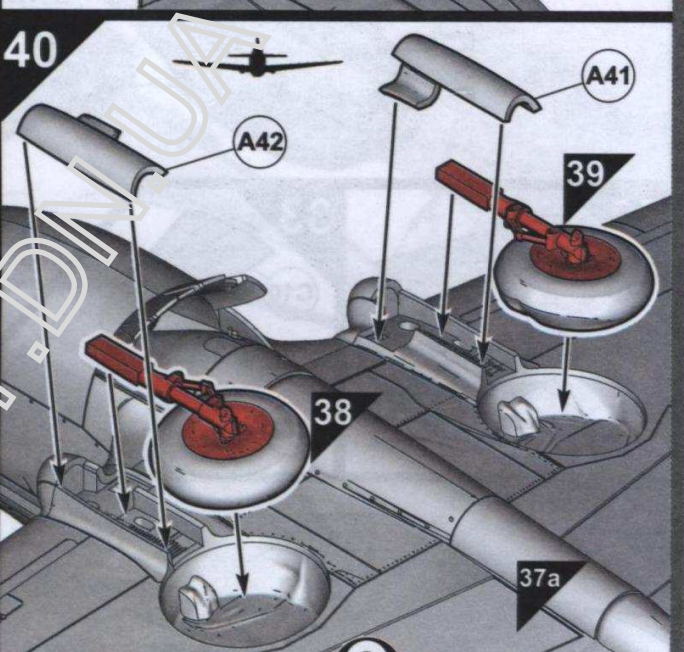
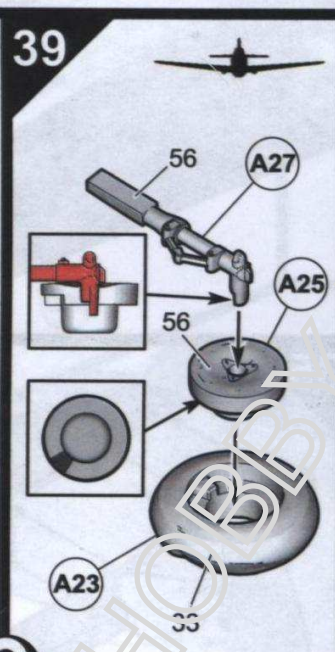
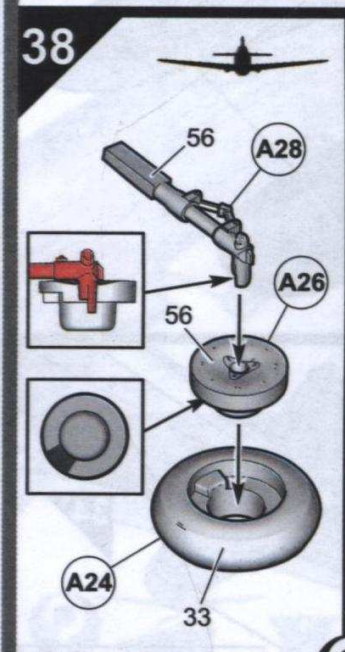
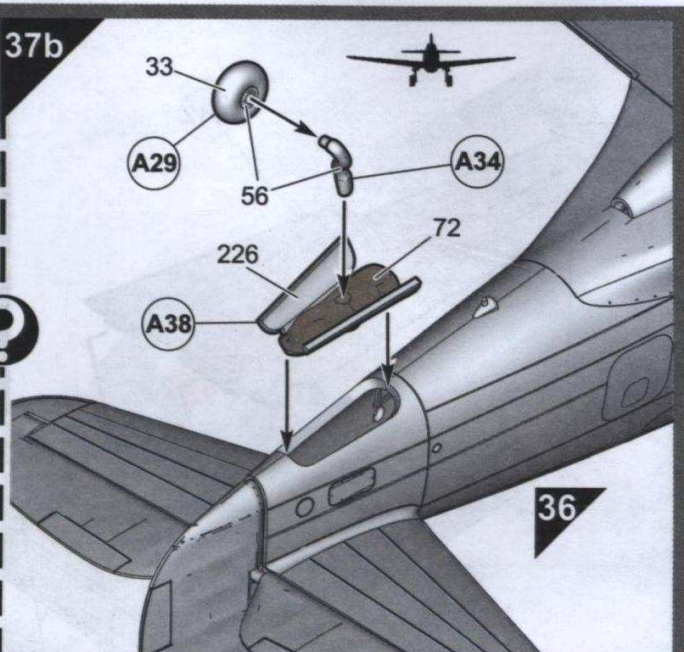
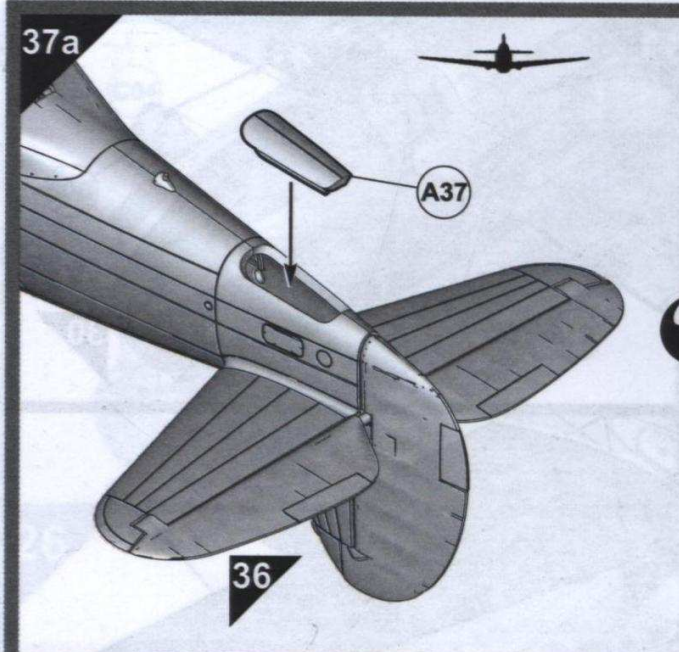


34

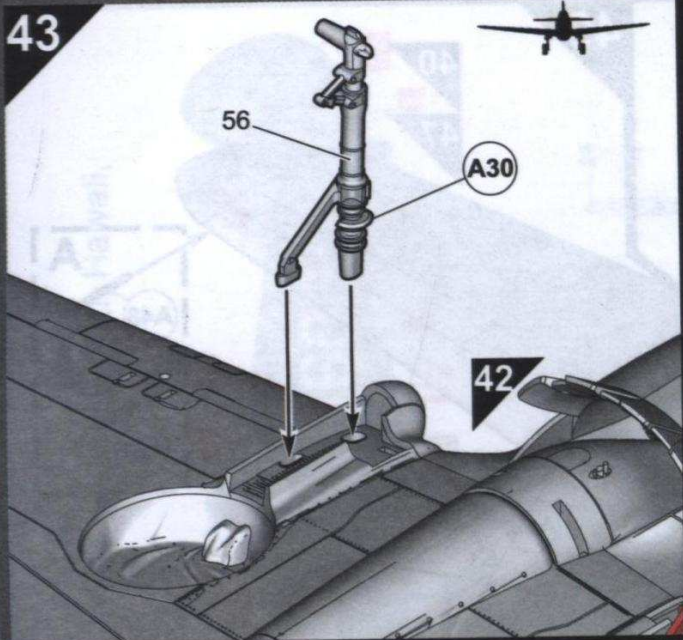


36

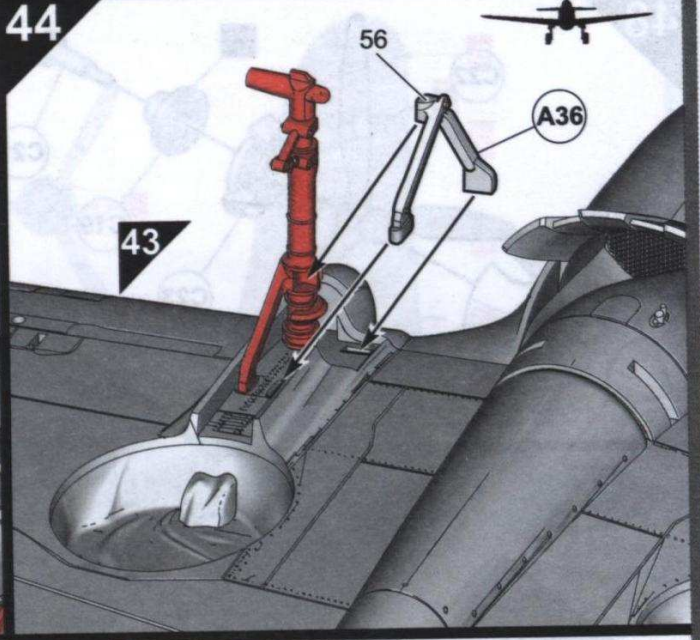




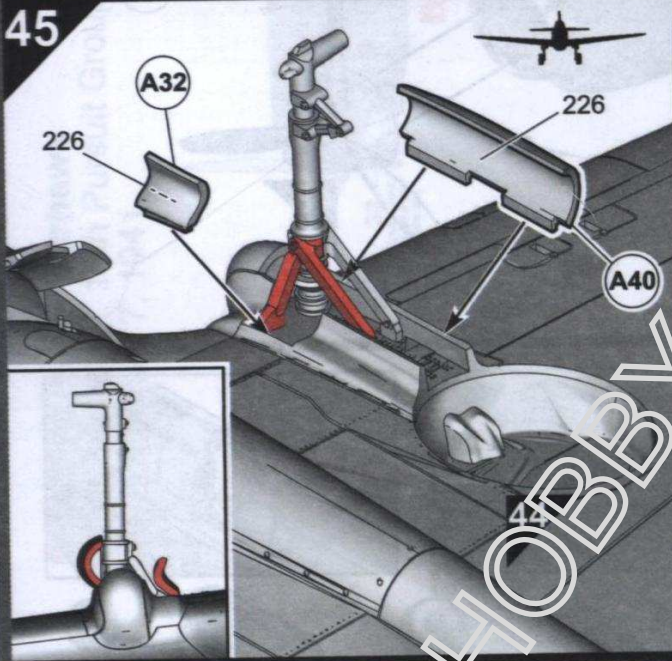
43



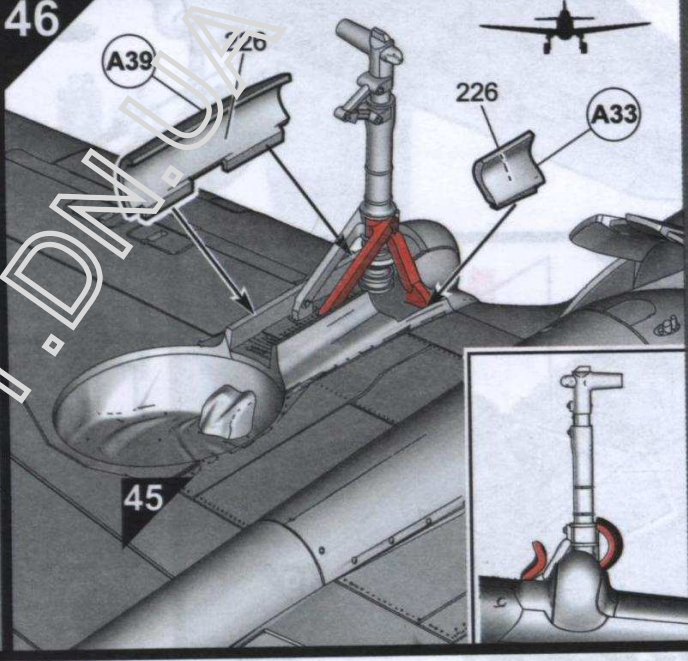
44



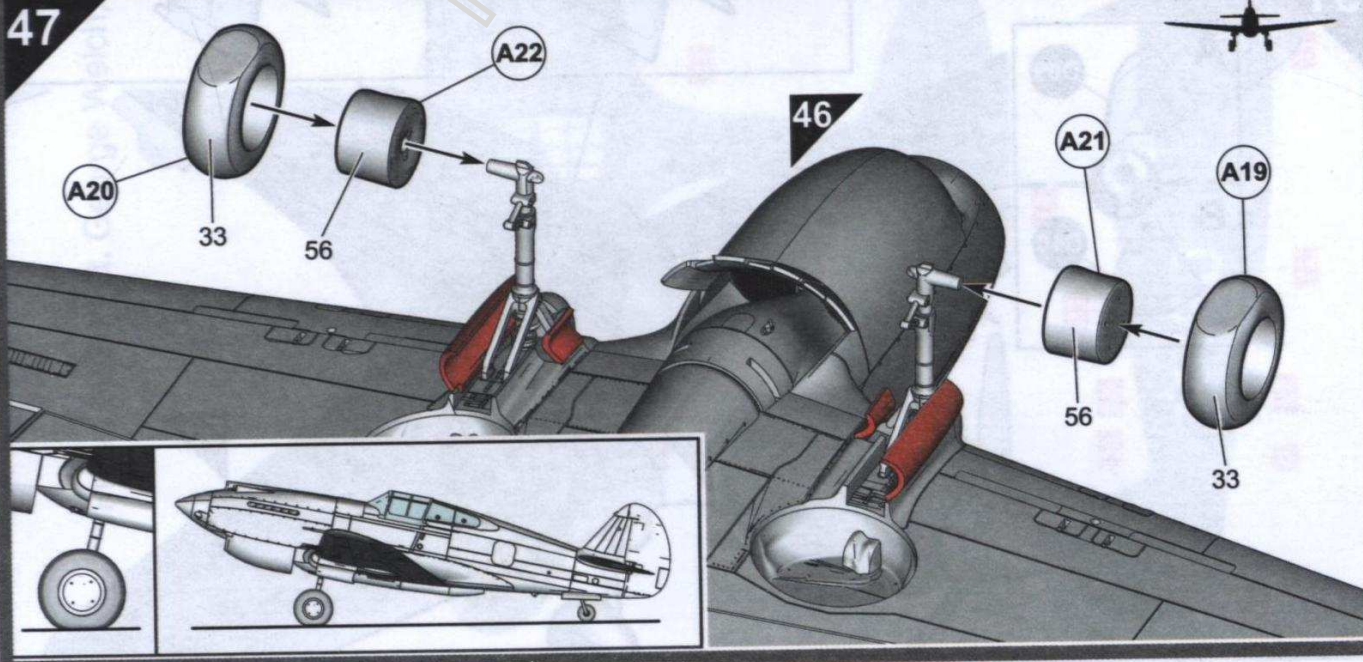
45



46



47

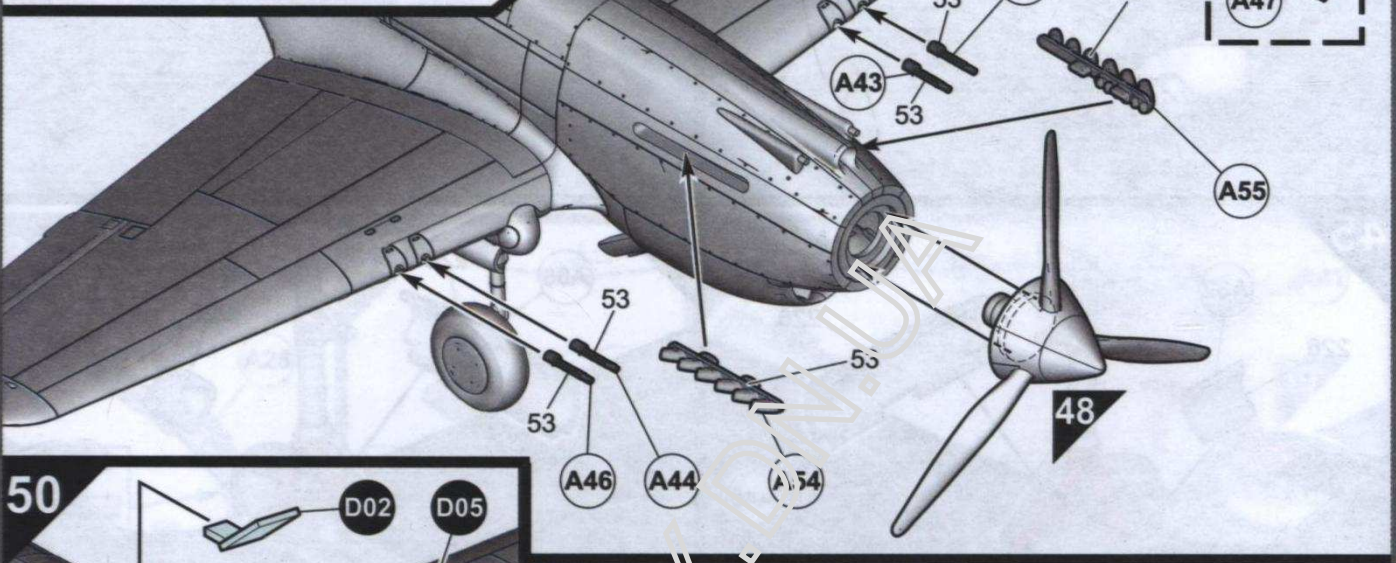
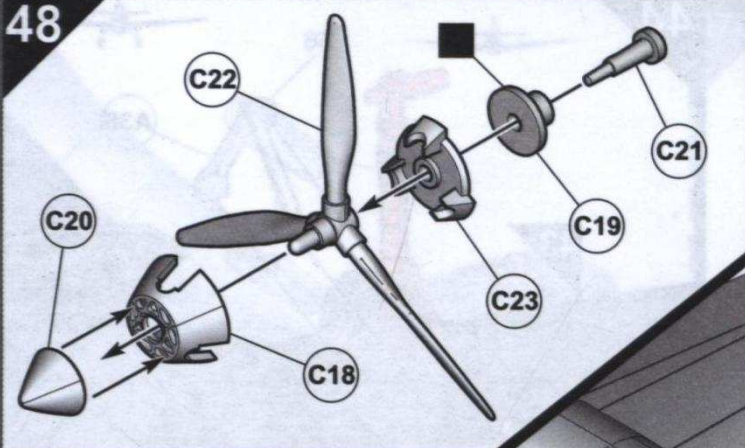


48

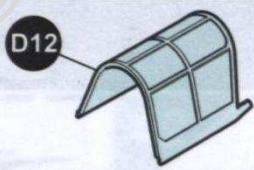
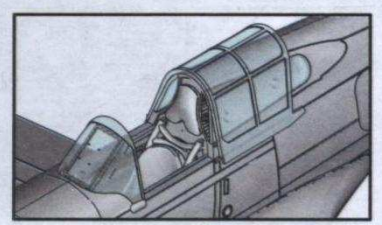
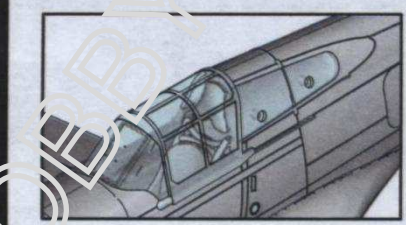
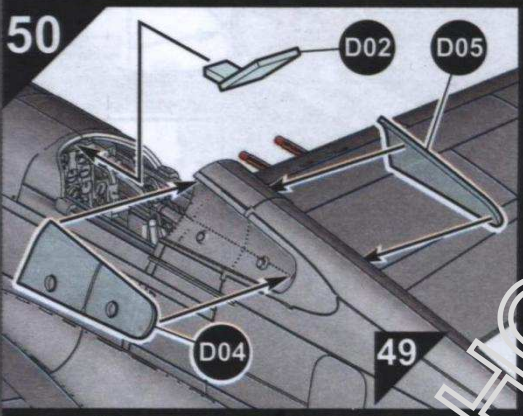
49

40

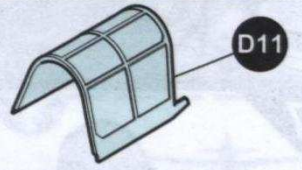
47



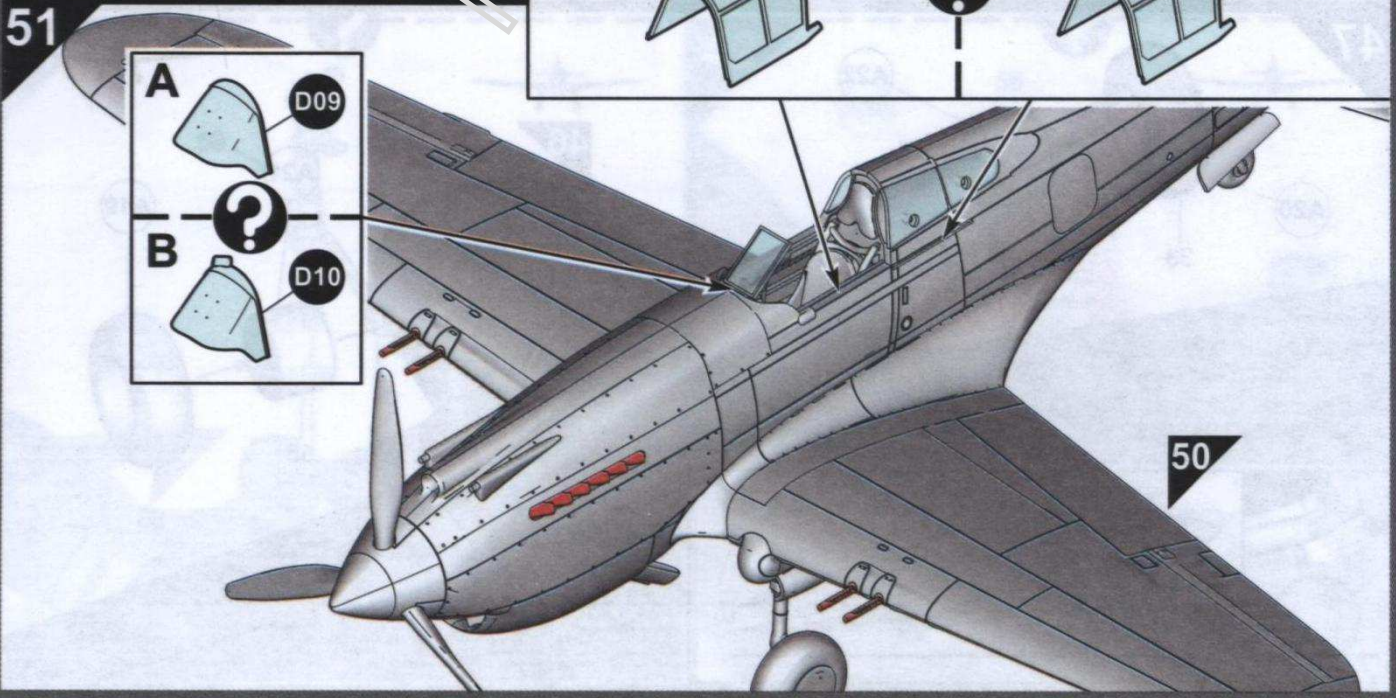
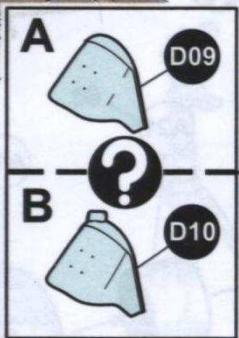
50



?



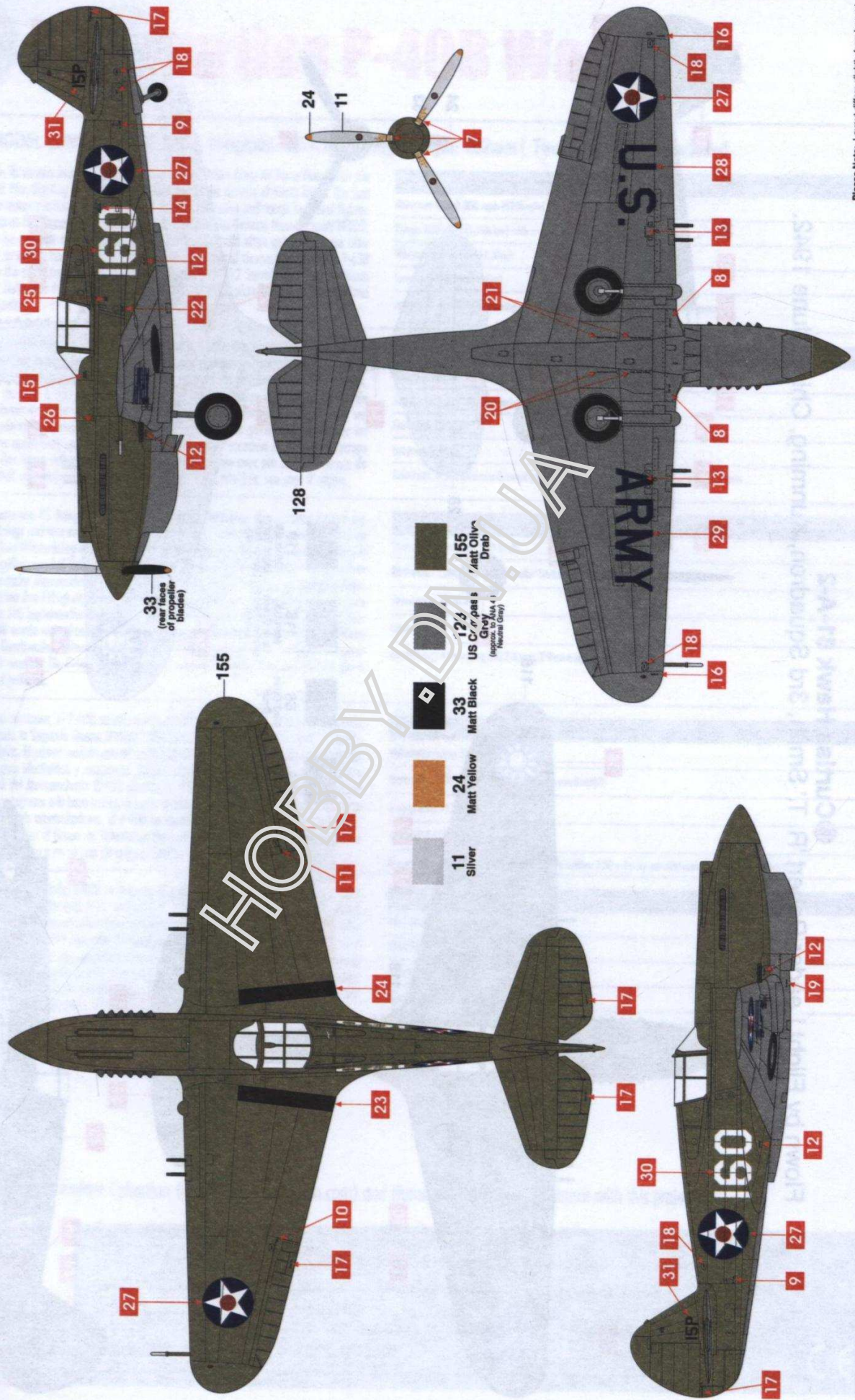
51



50

A Curtiss P-40B Warhawk

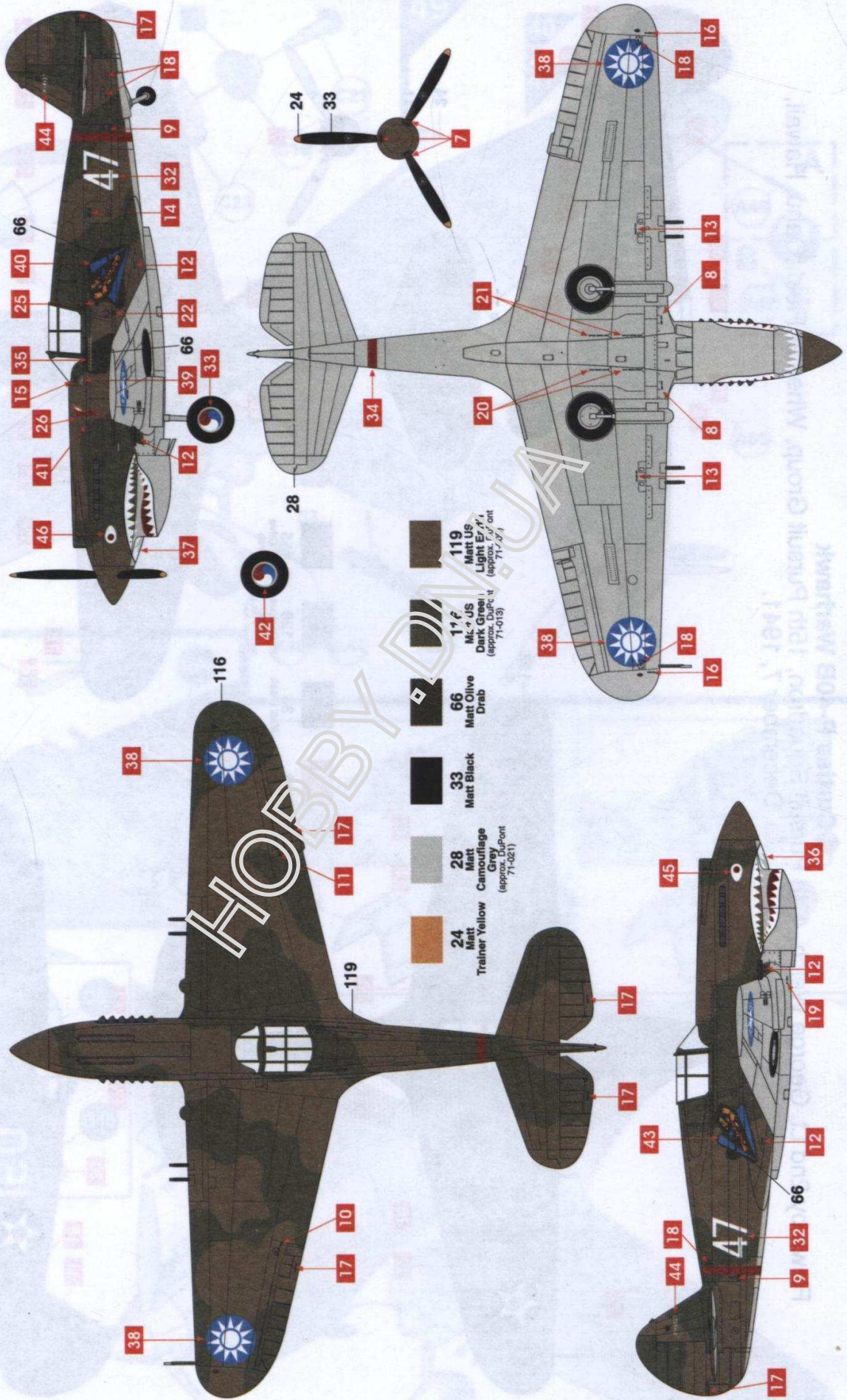
Flown by 2nd Lt. George Welch, 47th Pursuit Squadron, 15th Pursuit Group, Wheeler Field, Oahu, Hawaii, December 7, 1941.



Please Note: Layout differs slightly from box art.

B Curtiss Hawk 81-A-2

Flown by Flight Leader Robert 'R. T.' Smith, 3rd Squadron, Kunming, China, June 1942.



- 24 Matt Trainer Yellow
- 28 Matt Camouflage Grey (approx. 71-021)
- 33 Matt Black
- 66 Matt Olive Drab
- 116 Matt US Dark Green (approx. 71-013)
- 119 Matt US Light Grey (approx. 71-017)