



№ 72-405

Messerschmitt BF.109 C-1

The Messerschmitt Bf 109's versatility and time in service with both the German Luftwaffe and other foreign air forces, numerous variants were produced over the eight years of service with the Luftwaffe and even more were produced by its foreign service.

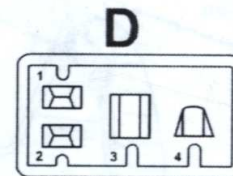
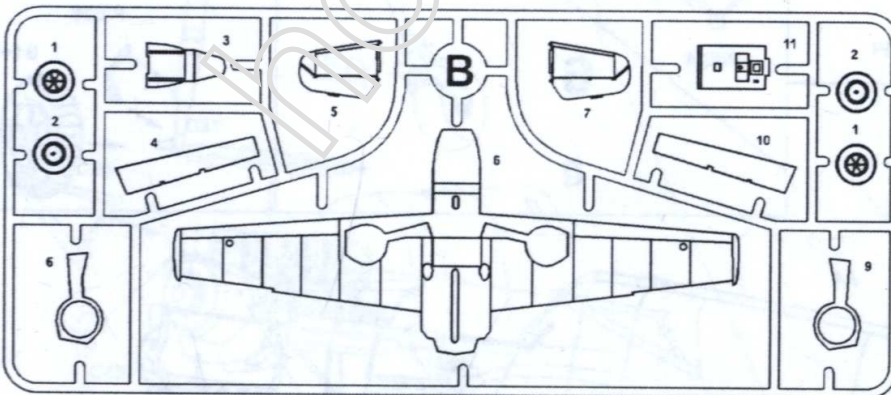
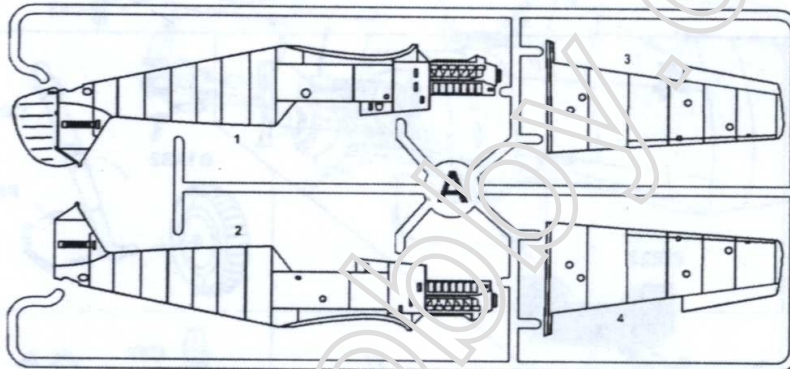
Production of the Bf 109C began in the spring of 1938.

The Bf 109C was originally meant to be the last major model of the Bf 109 to use the Jumo 210. It was intended that it would be quickly replaced by the Bf 109D, using a DB 600 engine. However, that engine was not available in suitable numbers, and so the 109D series entered production with a Jumo 210 engine.

The "C" series was produced in relatively small numbers. A total of 58 Bf 109C were built.

References:

- Messerschmitt Bf 109 A-D models, KAGERO, M.Lukasik
- Messerschmitt Bf 109, WARPAIN'T Special N 2,
- Bf 109 part 1, SAM Datafile N 09,
- Me 109 A bis Me 109 E, Aviatic Verlag, 1997,
- Messerschmitt Me-109, W.Ridinger & W.Schick,
- Cockpits D'etscher Flugzeuge 1911-70, P.W. Cohauz,
- Luftwaffe Camouflage and Markings 1933-1945 vol.1, K.A. Merrick,
- Luftwaffe Colours 1935-1945, Hikoku Publ., M.Ullmann,
- Luftwaffe Colours vol.1, sec.1 JAGDWAFFE, E.Mombeck,
- Flugzeug Classic Extra MESSERSCHMITT Bf 109 teil 1,
- Flugzeug Classic 1/2007/5,
- Aero Journal N 18



THE CONDITIONAL DENOTATION

УСЛОВНЫЕ ОБОЗНАЧЕНИЯ



BE CAREFUL
ОСТОРОЖНО



DON'T CEMENT
НЕ КЛЕИТЬ



REMOVE
РЕЗАТЬ



SYMMETRICAL
СИММЕТРИЧНО



MAKE TWO
УДВОИТЬ



OPTIONAL
НЕОБЯЗАТЕЛЬНО



BEND
СОГНУТЬ



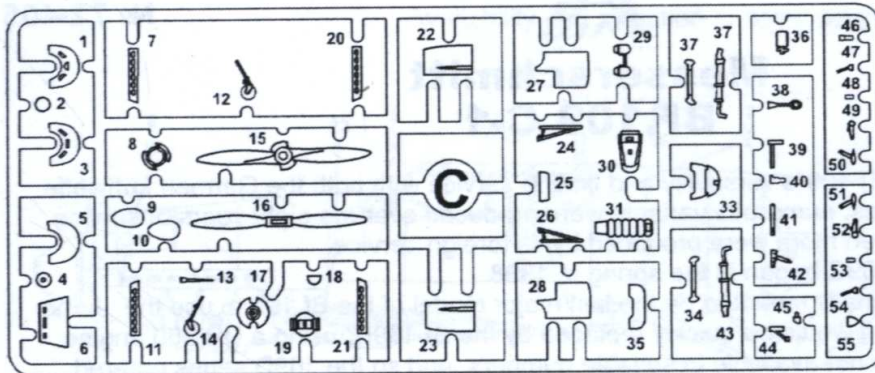
OPEN WHOLE
СВЕРЛИТЬ



CEMENT
КЛЕИТЬ



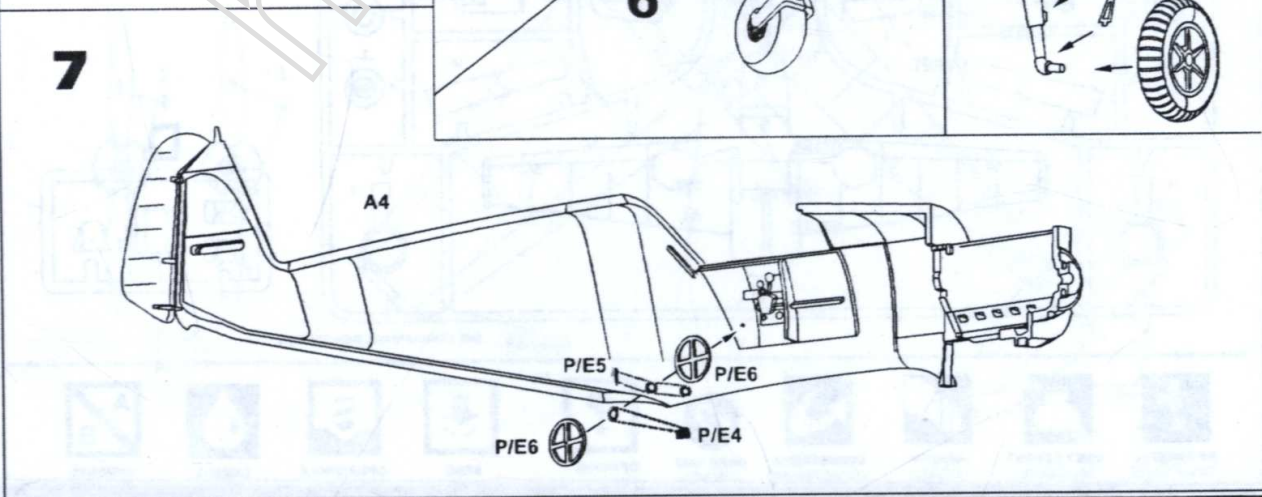
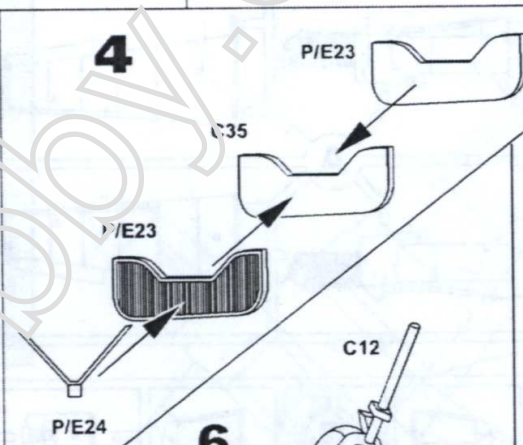
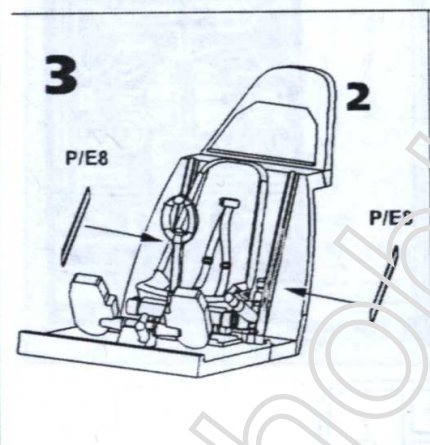
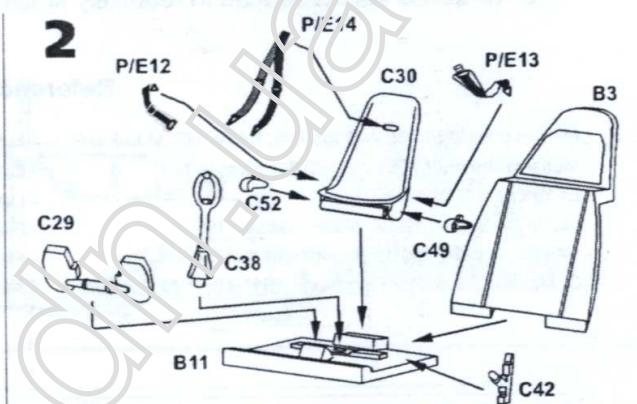
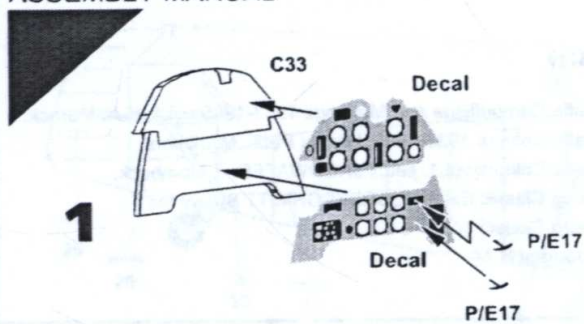
VARIANTS
ВЫБОР ВАРИАНТА



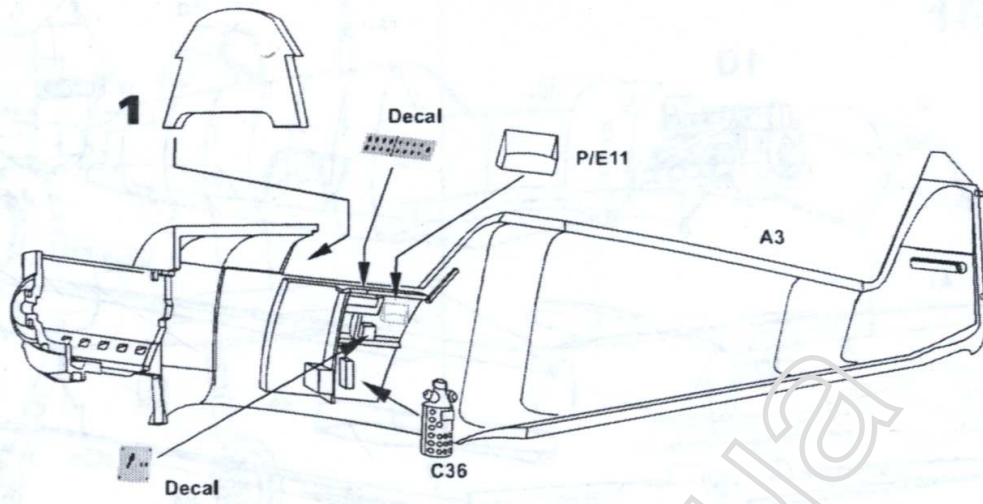
Resin



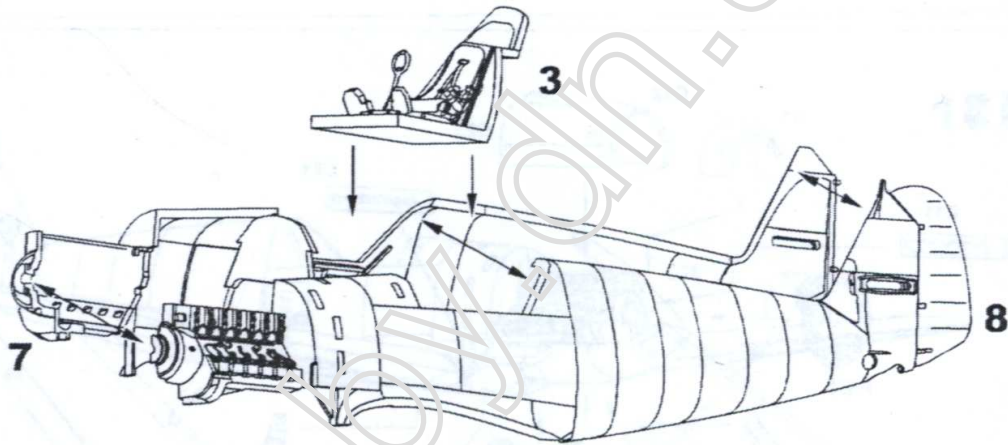
ASSEMBLY MANUAL



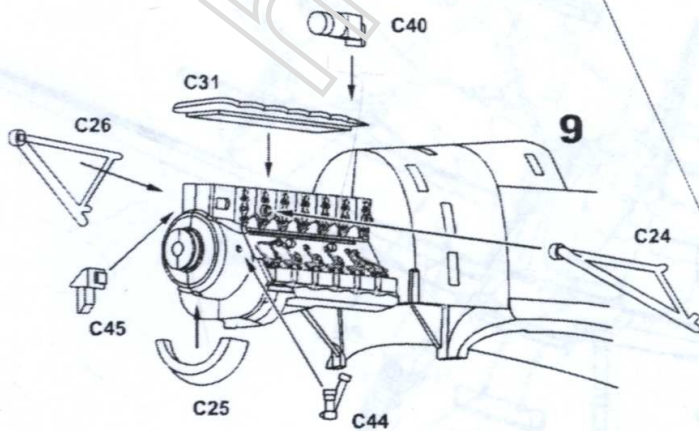
8



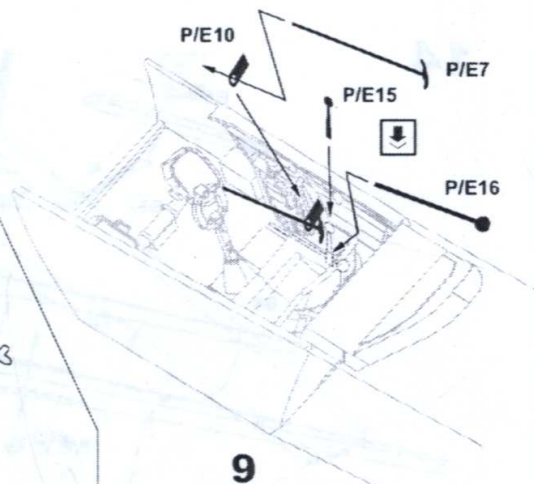
9

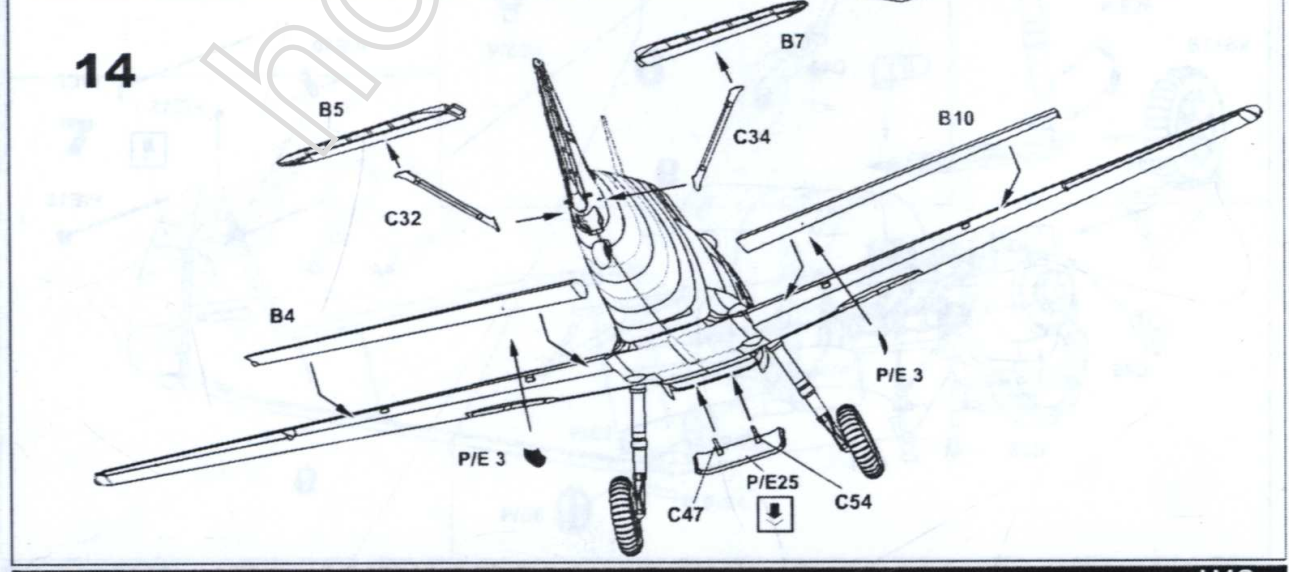
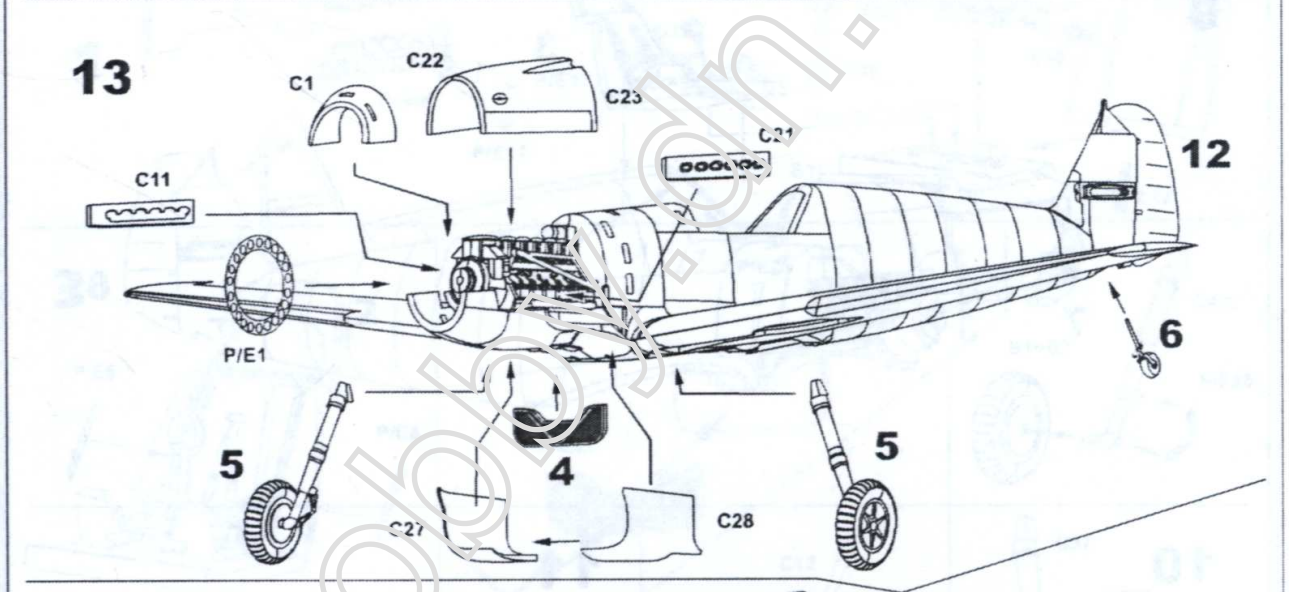
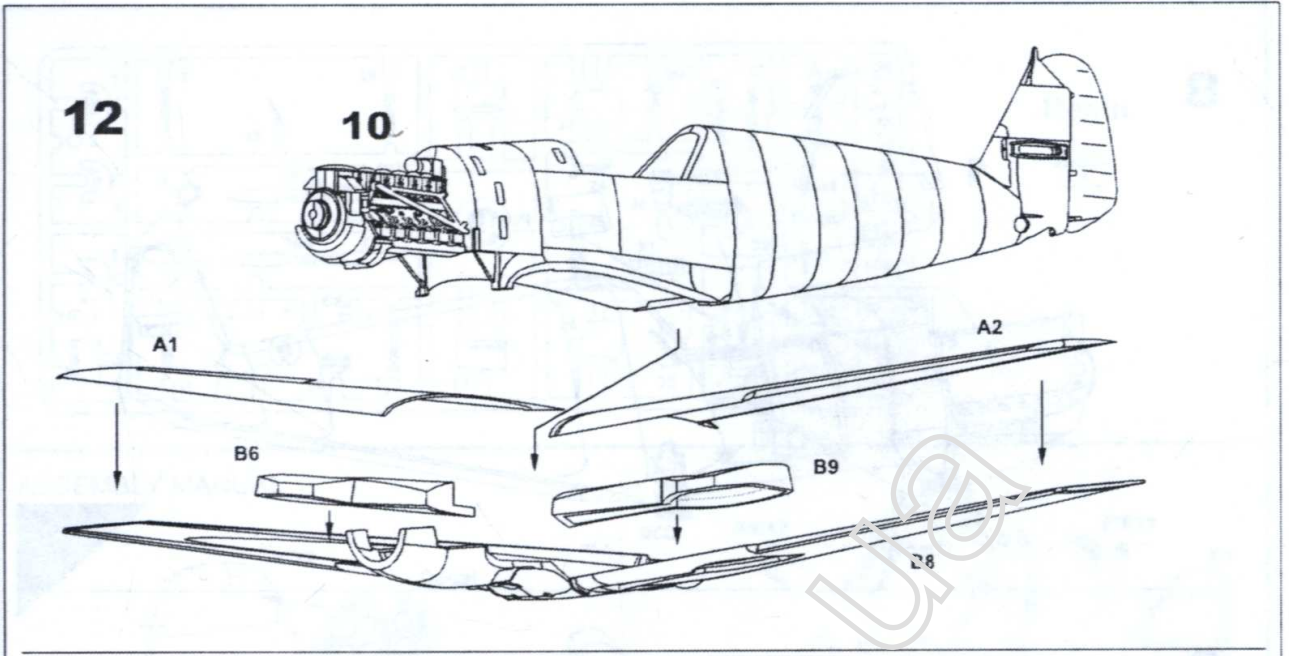


10

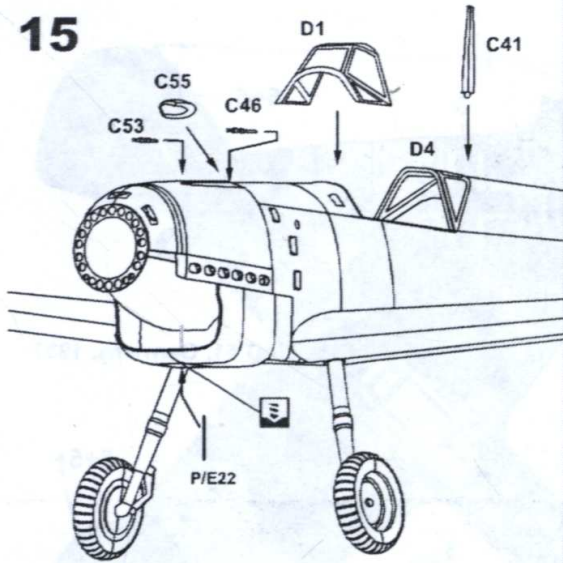


11

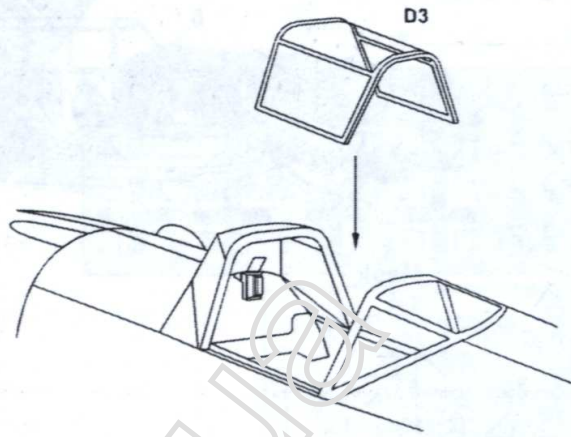




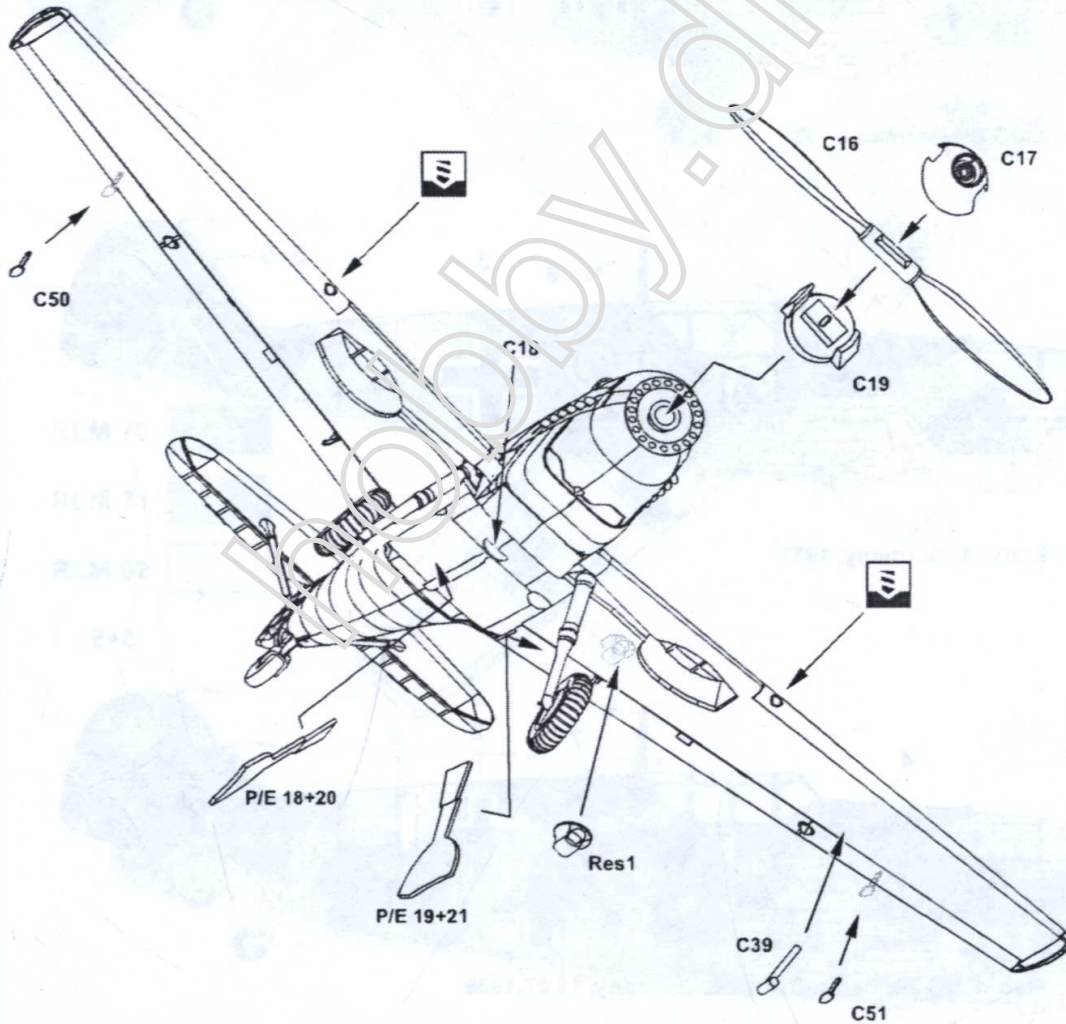
15



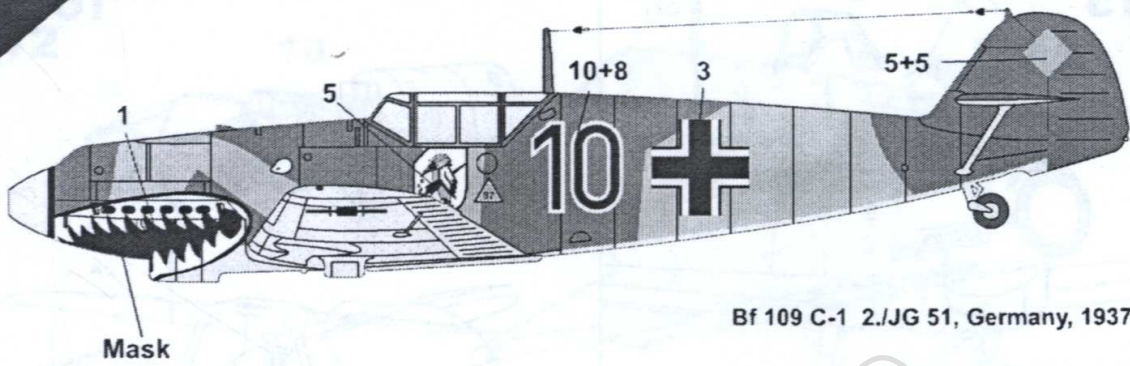
16



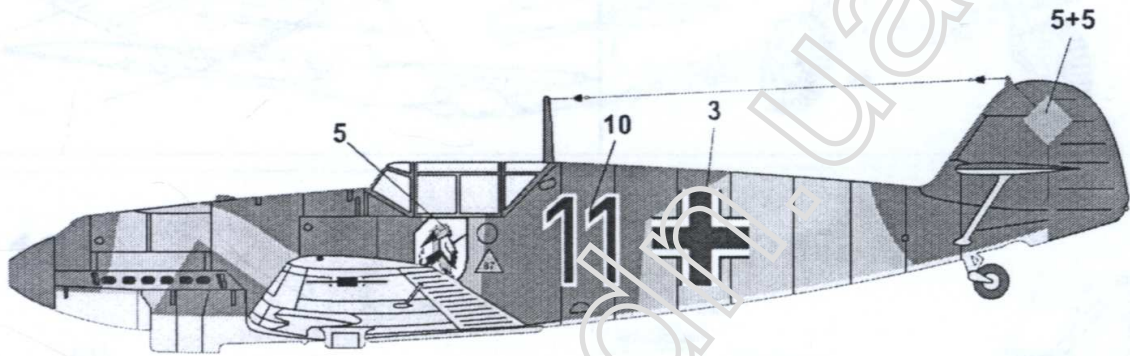
17



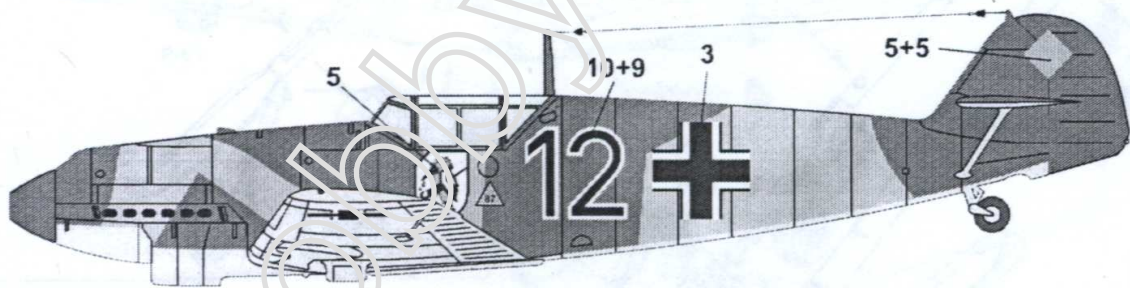
PAINT MANUAL



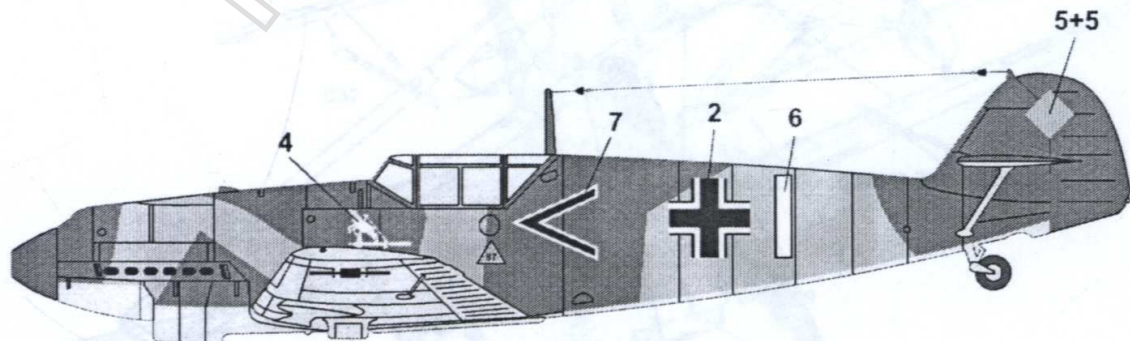
Bf 109 C-1 2./JG 51, Germany, 1937



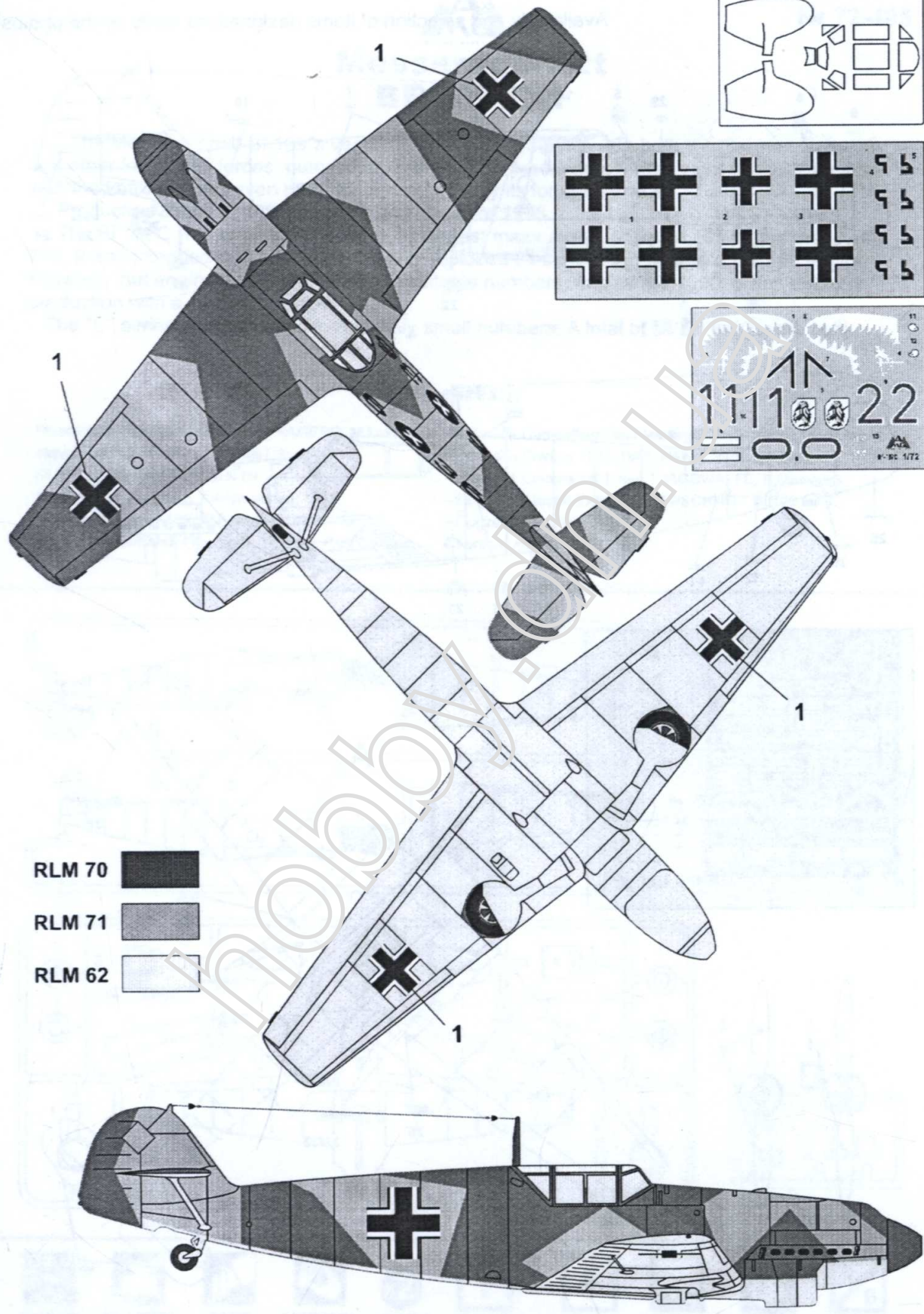
Bf 109 C-1 2./JG 51, Germany, 1937



Bf 109 C-1 2./JG 51, Germany, 1937



Bf 109 C-1 Stab 1./JG 20, Berlin-Doberitz, Germany, 15.07.1939



- RLM 70
- RLM 71
- RLM 62

Availability and selection of items designations verify by the photos!

