

Vought F6U-1 Pirate

Plastic model

scale : 1/72

The Vought F6U Pirate was the company's first jet fighter, designed for US Navy during the mid-1940s. Although pioneering the use of turbojet power as the first naval fighter with an afterburner and composite material construction, the aircraft proved to be underpowered and was judged unsuitable for combat. None were ever issued to operational squadrons and they were relegated to development, training and test roles before they were withdrawn from service in 1950. Total 33 build (included 3 prototypes).

Plastic parts

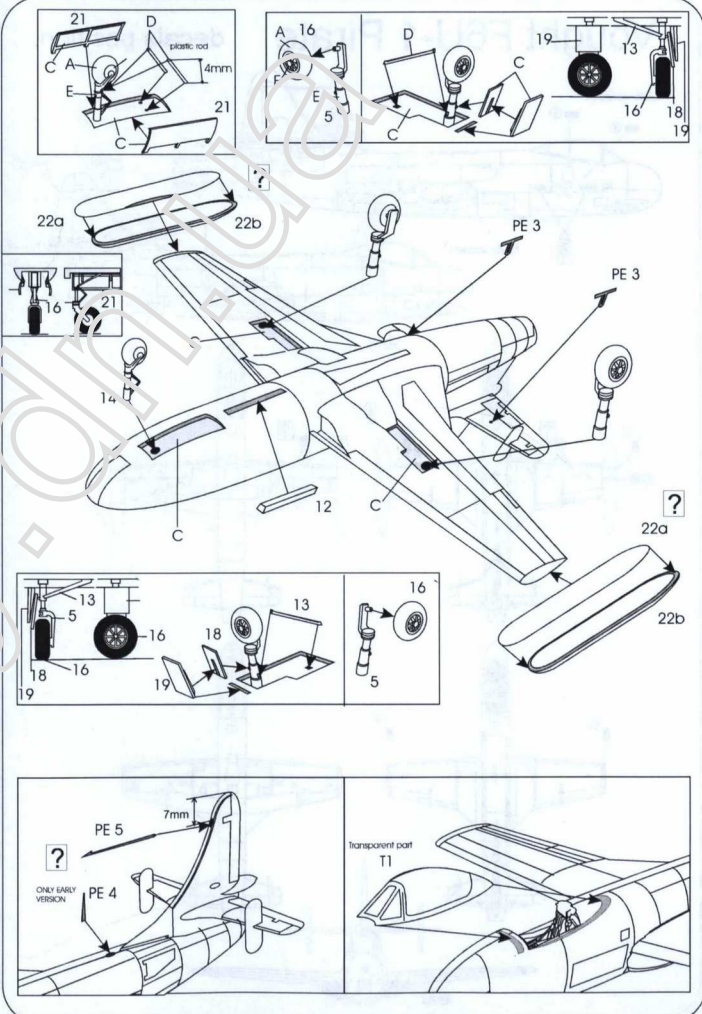
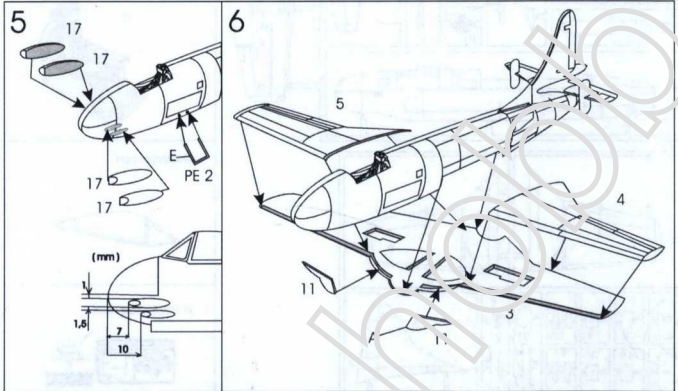
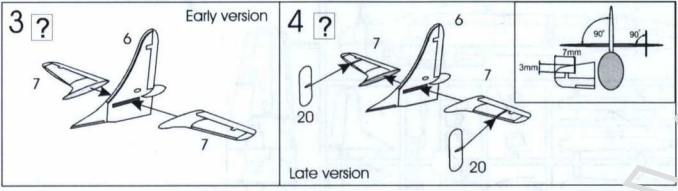
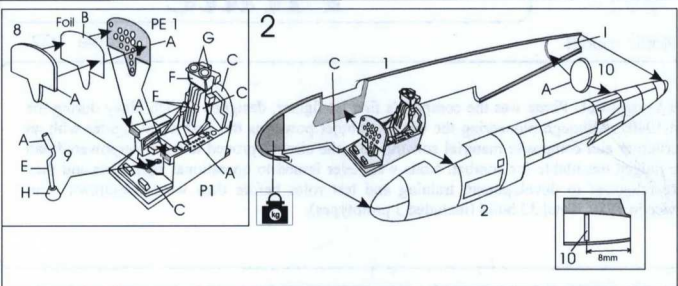
PUR part

Transparent part

Photo-Etched parts

1: Top view of fuselage
2: Bottom view of fuselage
3: Side view of fuselage
4: Right engine nacelle
5: Left engine nacelle
6: Wing
7: Wingtip
8: Wing root
9: Wing root
10: Wing root
11: Wing root
12: Wing root
13: Wing root
14: Wing root
15: Wing root
16: Wing root
17: Wing root
18: Wing root
19: Wing root
20: Wing root
21: Wing root
22a: Wing root
22b: Wing root
P1: Pur part (cockpit)
T1: Transparent part (wing)

Colour name	Number	Colour name	Number
A	Black	F	Medium Grey
B	White	G	Yellow
C	Transparent Green	H	Light Brown
D	Light grey	I	Shade
E	Aluminium		



Vought F6U-1 Pirate

decals position:

Late variant

