

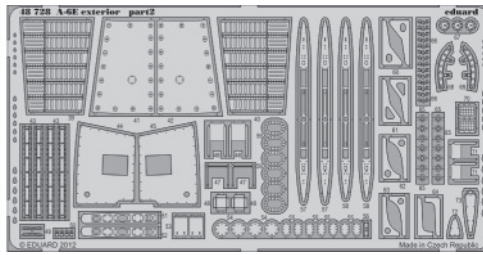
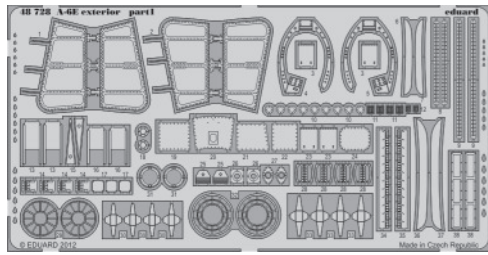


# A-6E exterior

eduard

48 728

1/48 scale detail set for Kinetic kit • sada detailů pro model 1/48 Kinetic



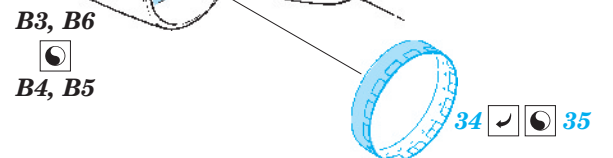
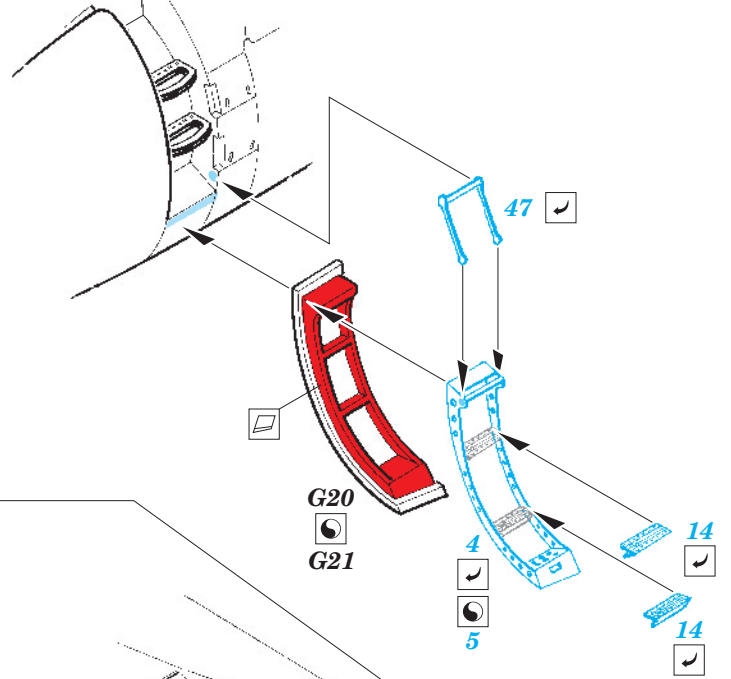
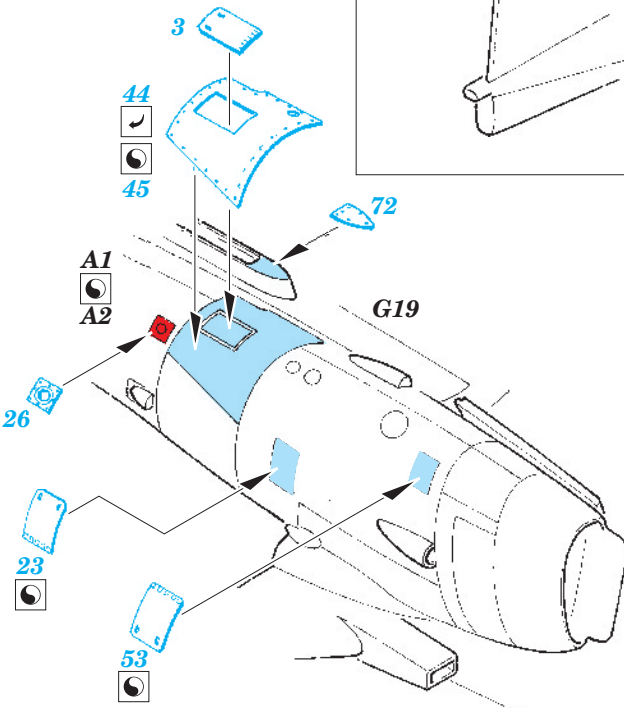
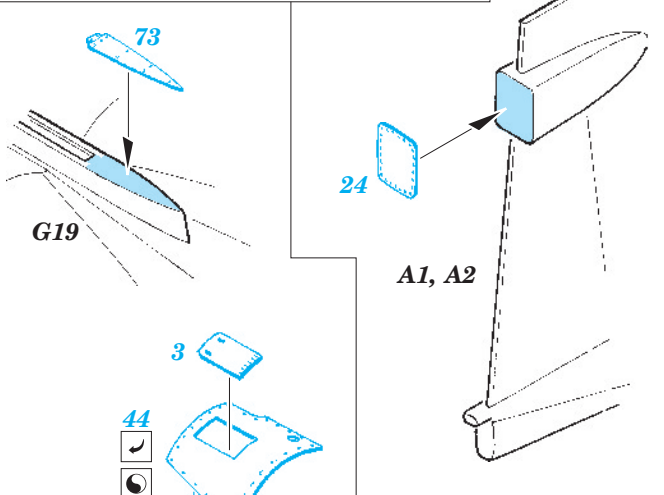
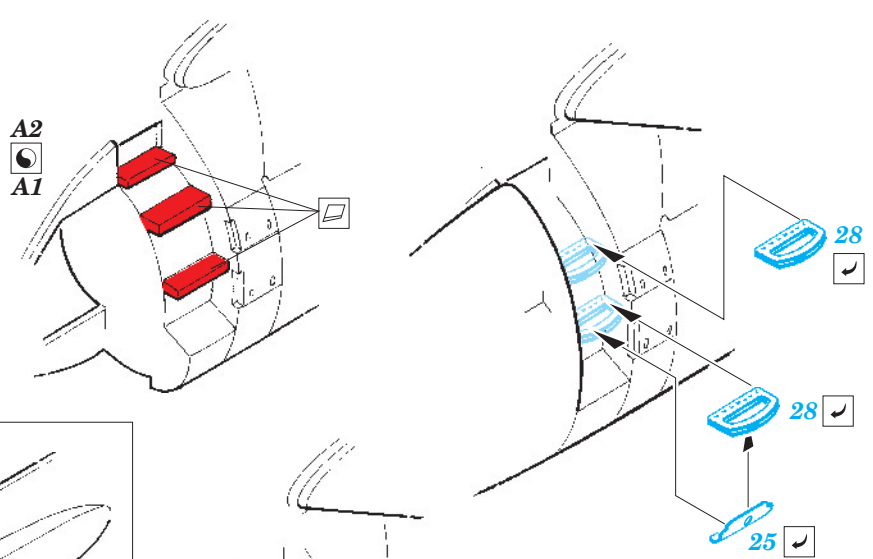
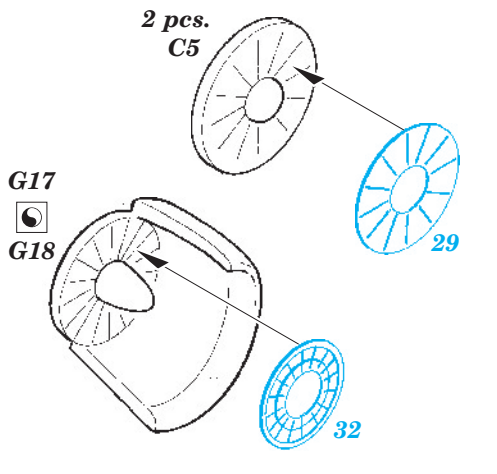
- APPLY EXPRESS MASK AND PAINT BEFORE GLUING  
POUŽIT EXPRESS MASK NABARVIT PŘED SLEPENÍM
- SYMMETRICAL ASSEMBLY  
SYMETRICKÁ MONTÁŽ
- REMOVE  
ODSTRANIT
- GRIND  
OBROUSIT
- DRILL HOLE  
VRTAT OTVOR
- BEND  
OHNOUT
- OPTION  
VOLBA
- REPLACE  
NAHRADIT

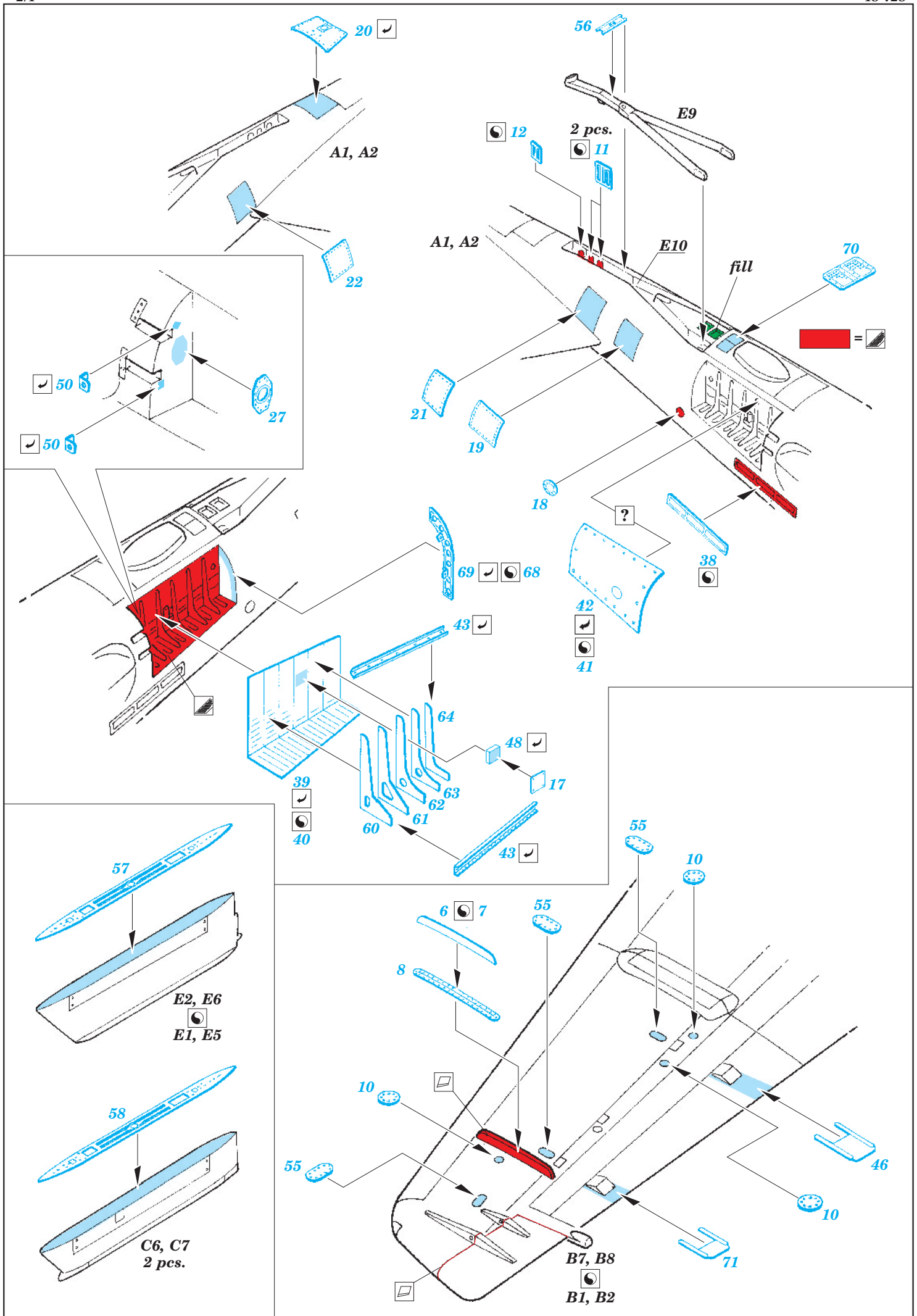
ORIGINAL KIT PARTS  
PŮVODNÍ DÍLY STAVEBNICE

PHOTO-ETCHED PARTS  
LEPTANÉ DÍLY

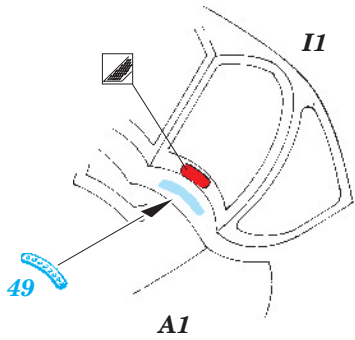
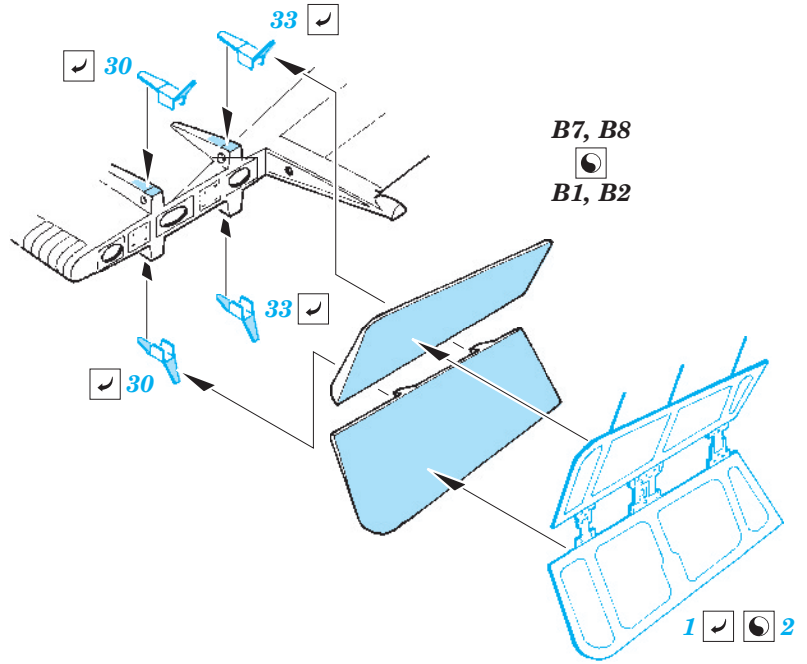
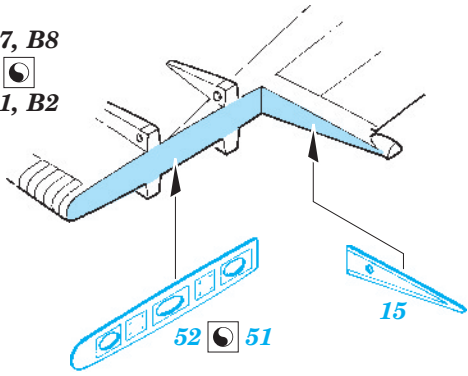
PARTS TO BE REMOVED  
DÍLY K ODSTRANĚNÍ

FILL  
TMELIT

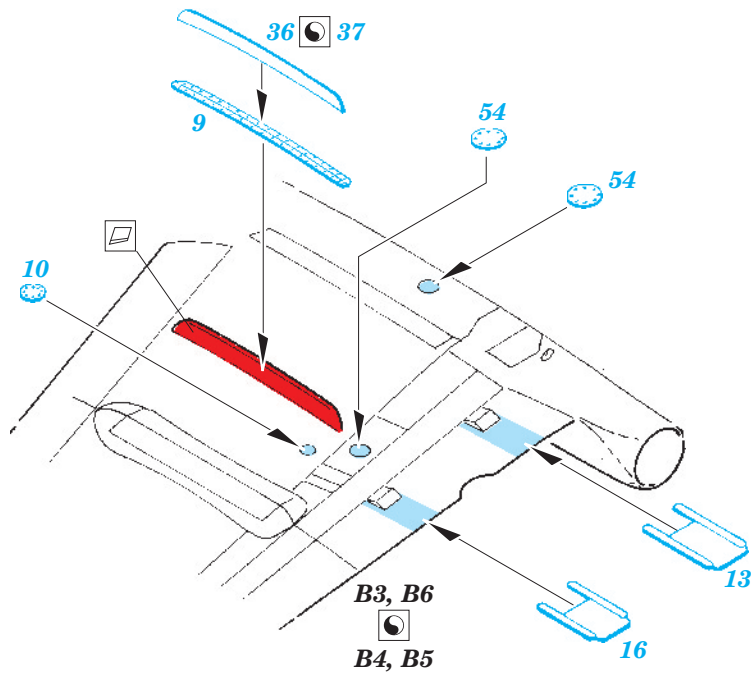
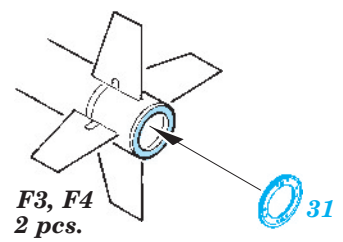
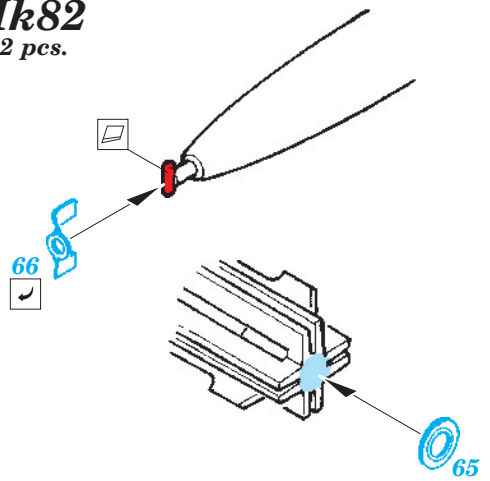




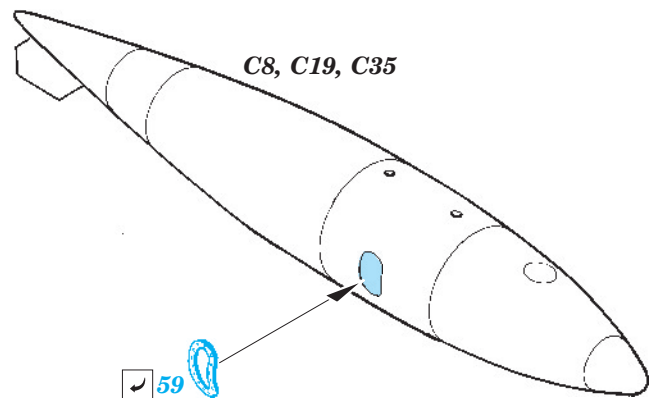
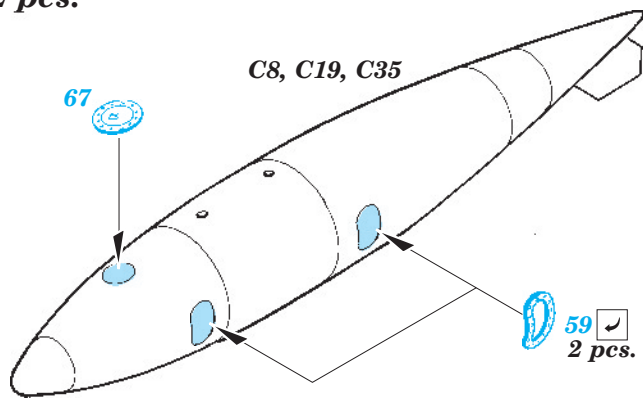
B7, B8  
B1, B2



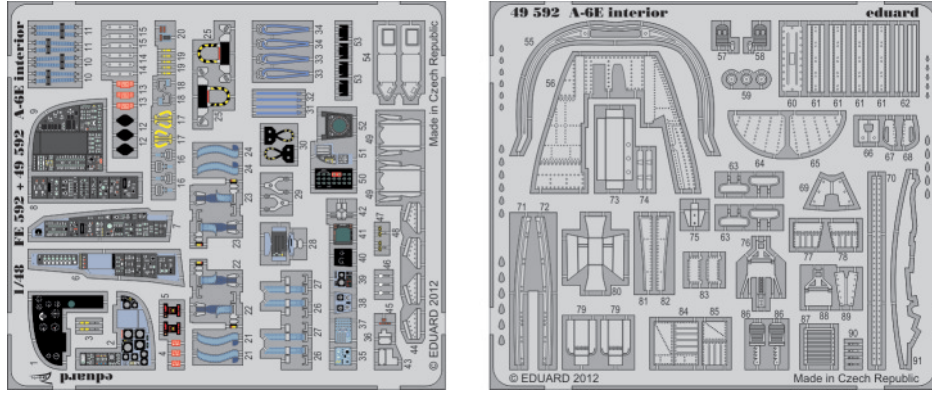
**Mk82**  
12 pcs.



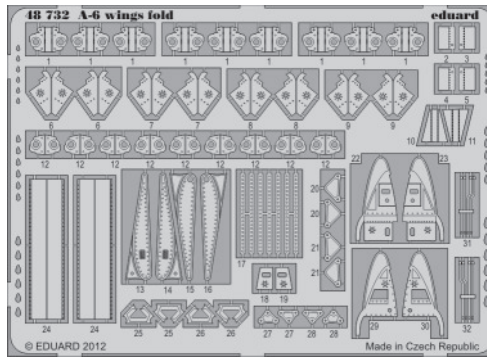
2 pcs.



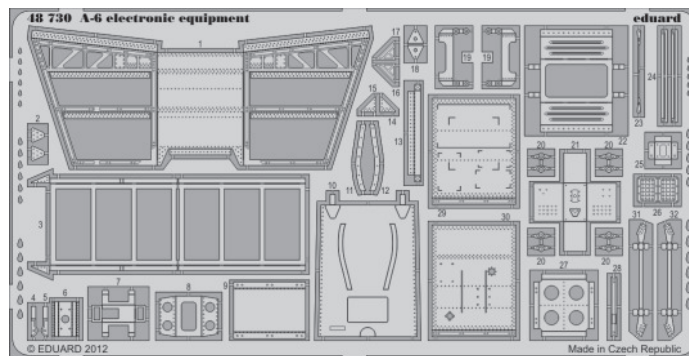
*For further detail sets look for **eduard** 49 592 A-6 interior S.A. (not included in this set)*



*For further detail sets look for **eduard** 48 732 A-6 wing fold (not included in this set)*



*For further detail sets look for **eduard** 48 730 A-6 electronic equipments (not included in this set)*



*For further detail sets look for **eduard** 48 731 A-6 undercarriage (not included in this set)*

