

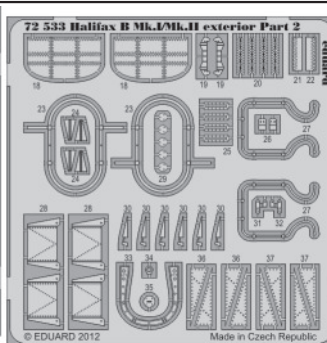
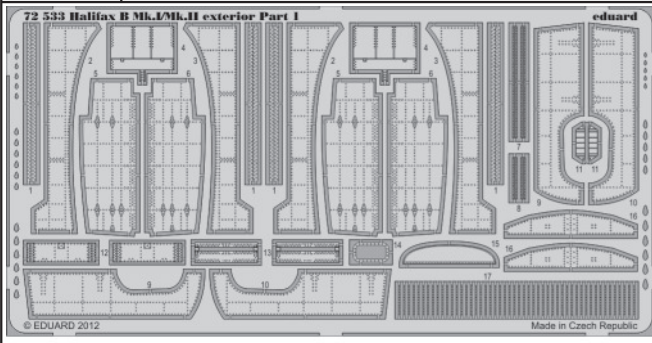


# Halifax B Mk.I/Mk.II exterior

eduard

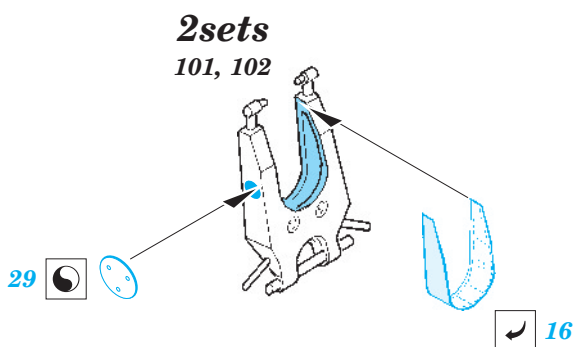
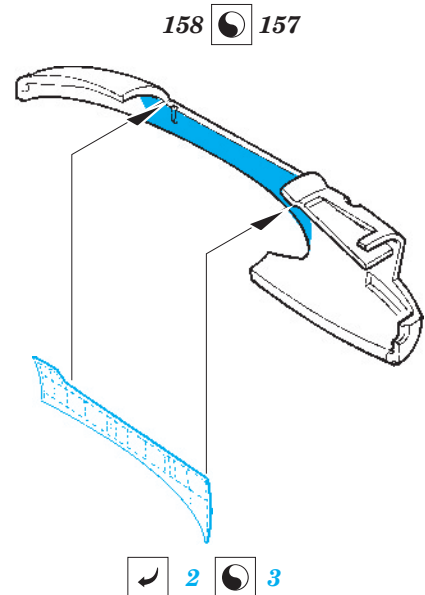
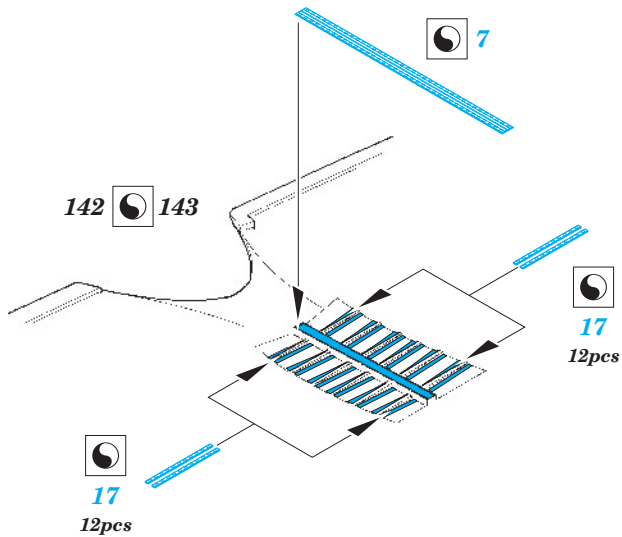
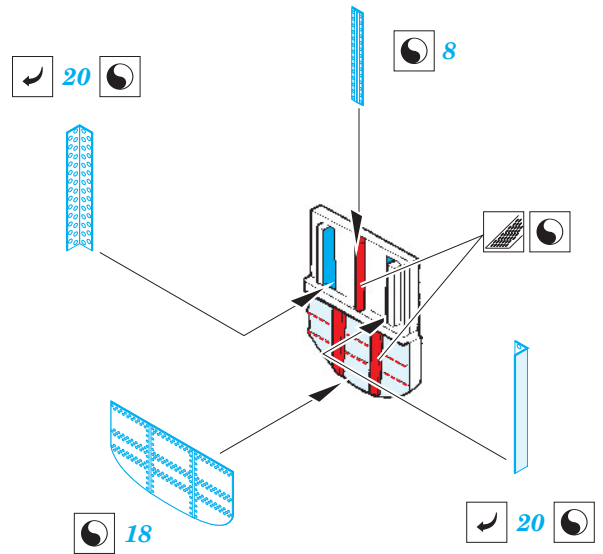
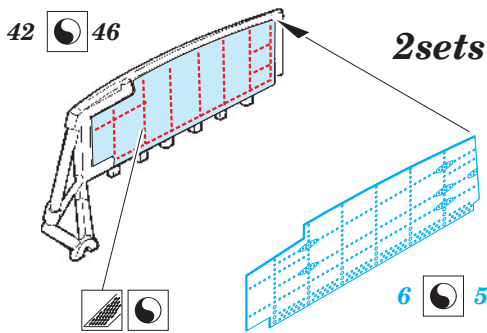
72 533

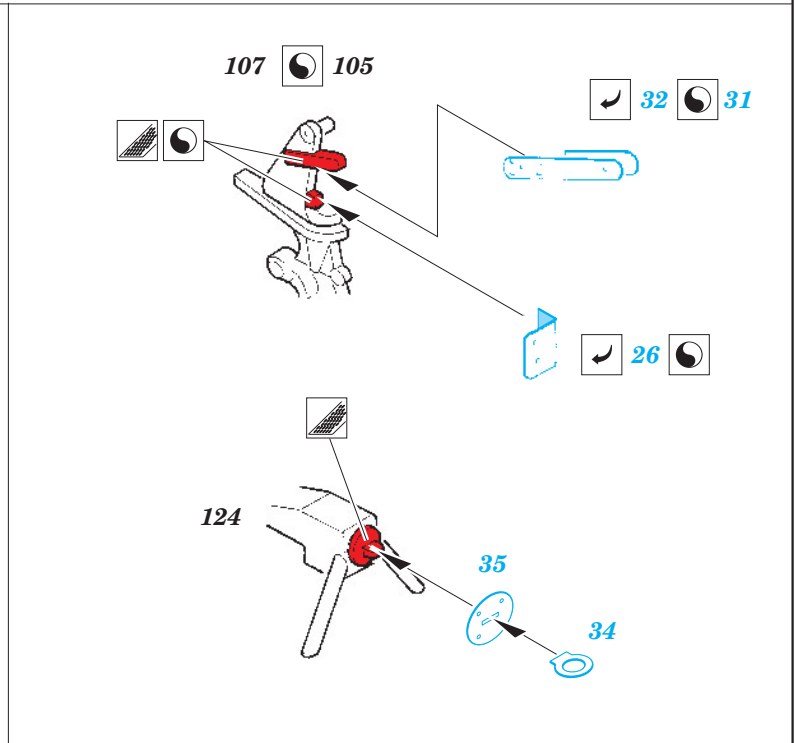
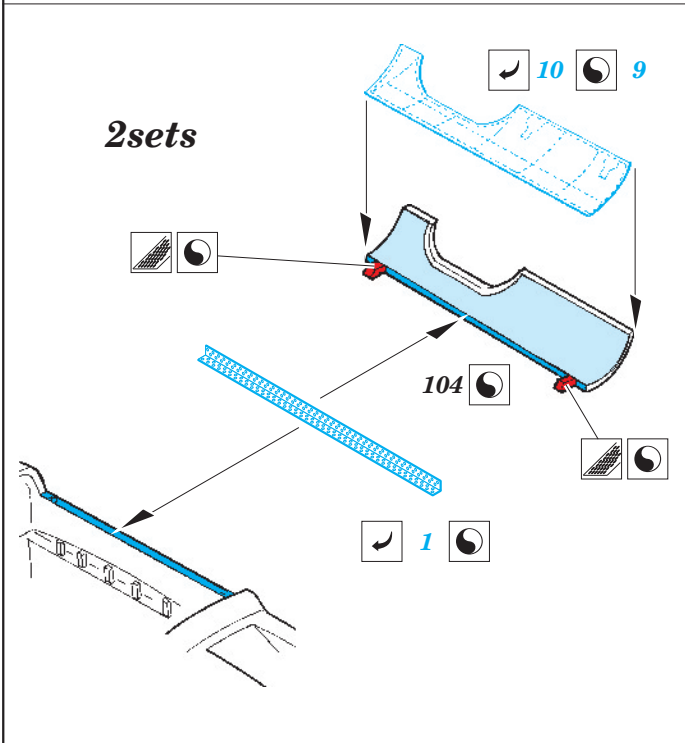
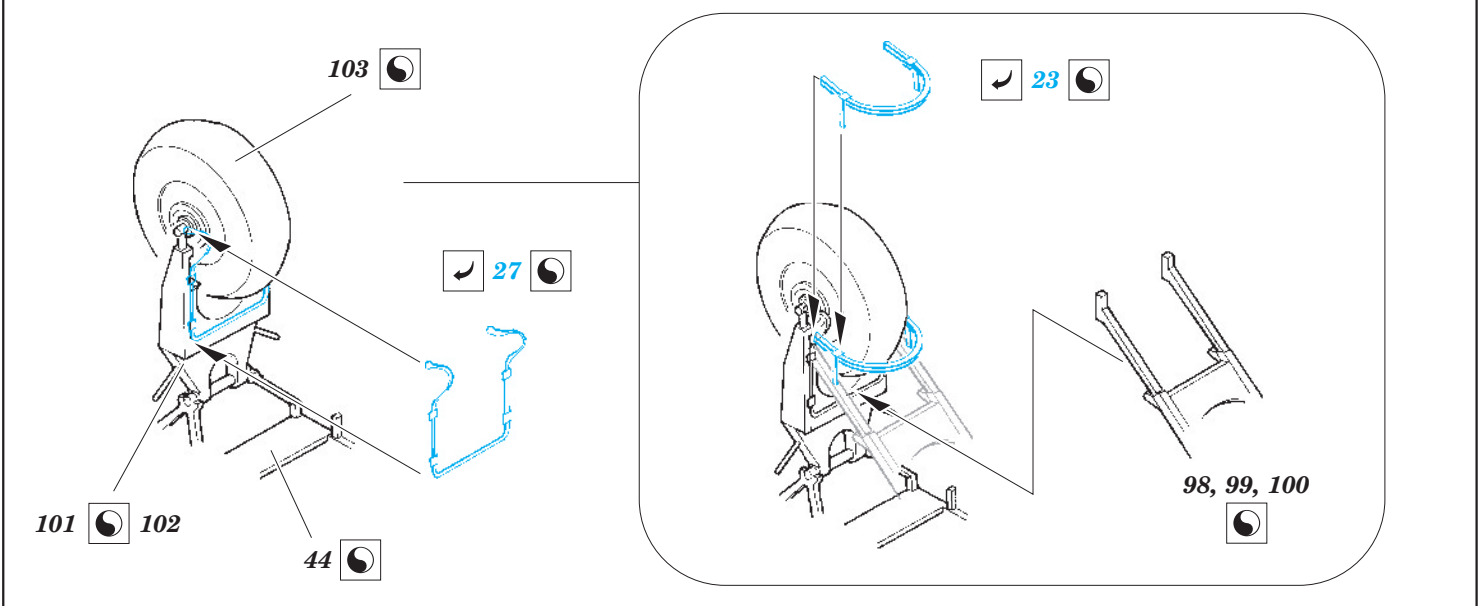
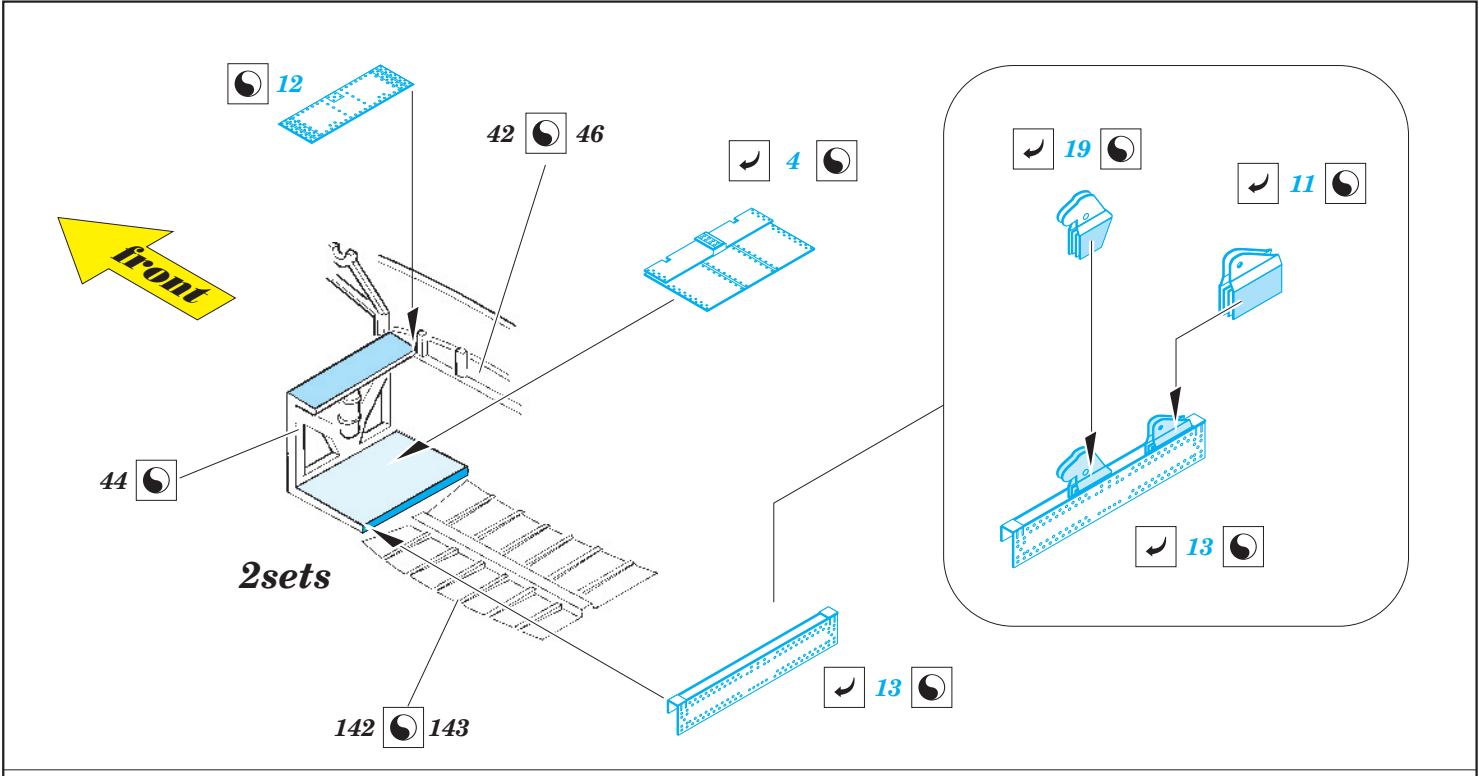
1/72 scale detail set for REVELL kit • sada detailů pro model 1/72 REVELL

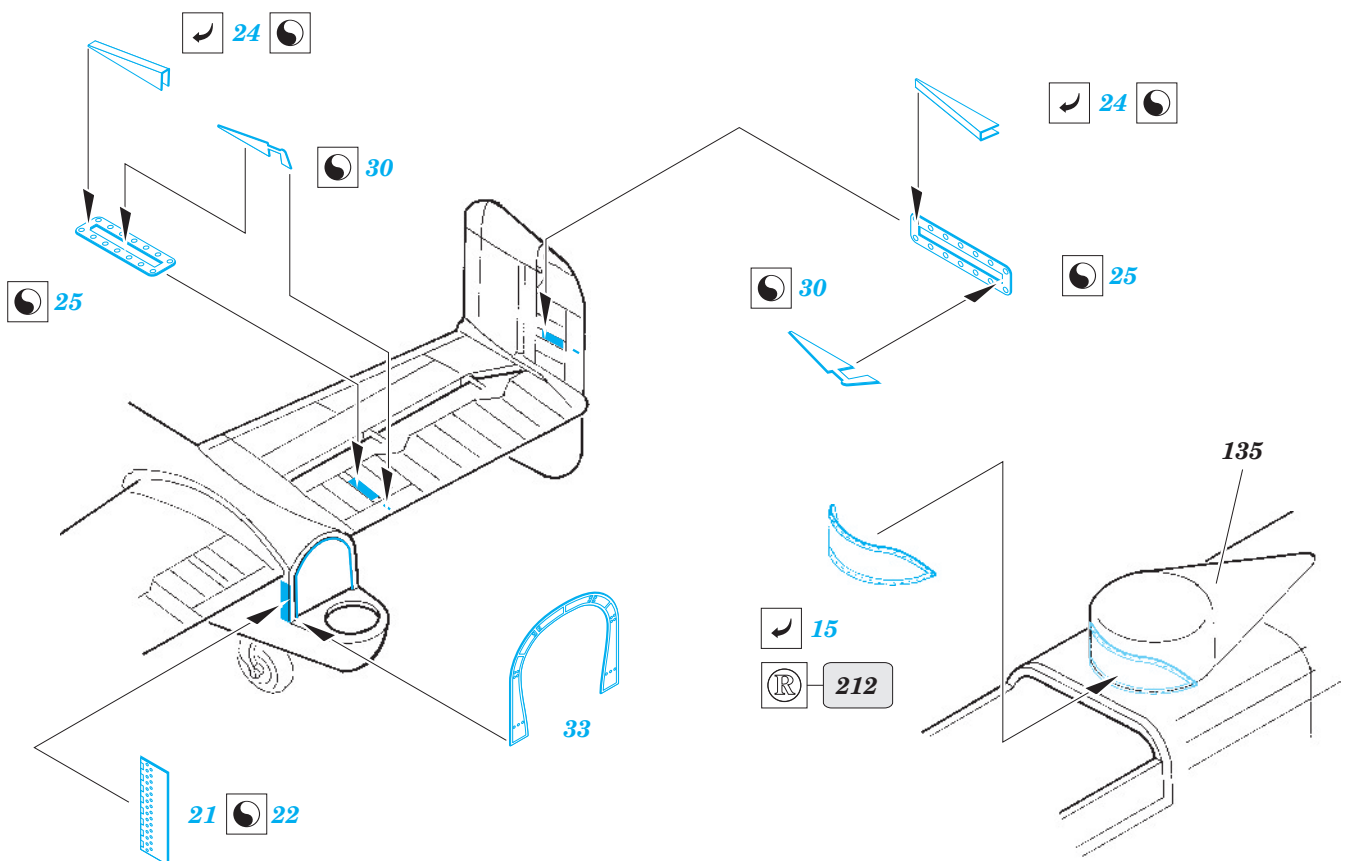
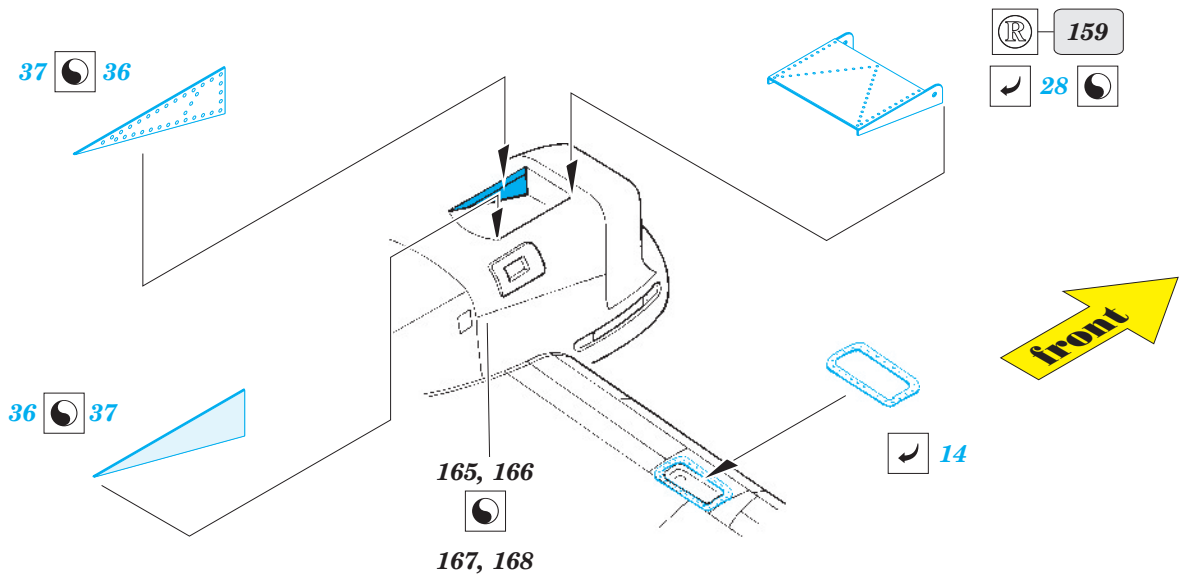
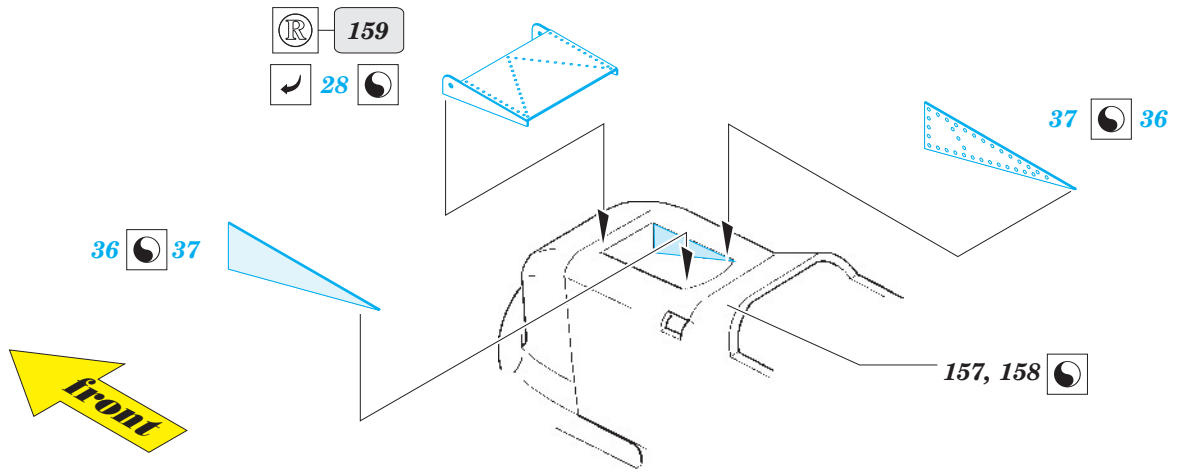


- ★ APPLY EXPRESS MASK AND PAINT BEFORE GLUING  
POUŽIT EXPRESS MASK NABARVIT PŘED SLEPENÍM
- ☯ SYMETRICAL ASSEMBLY  
SYMETRICKÁ MONTÁŽ
- REMOVE  
ODSTRANIT
- ▨ GRIND  
OBROUSIT
- ⊘ DRILL HOLE  
VRTAT OTVOR
- ↪ BEND  
OHNOUT
- ⊙ OPTION  
VOLBA
- Ⓜ REPLACE  
NAHRADIT

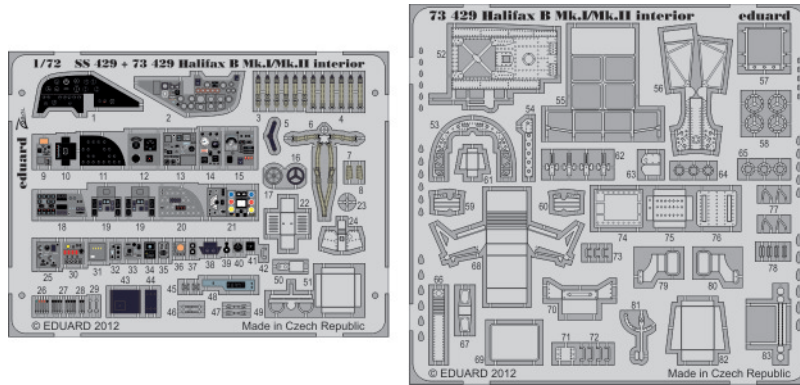
ORIGINAL KIT PARTS  
PŮVODNÍ DÍLY STAVEBNICE
  PHOTO-ETCHED PARTS  
LEPTANÉ DÍLY
  PARTS TO BE REMOVED  
DÍLY K ODSTRANĚNÍ
  FILL  
TMELIT



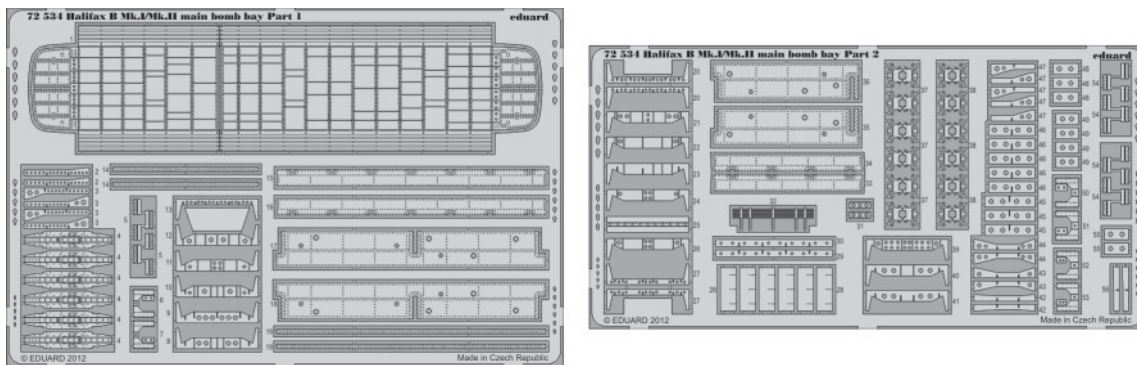




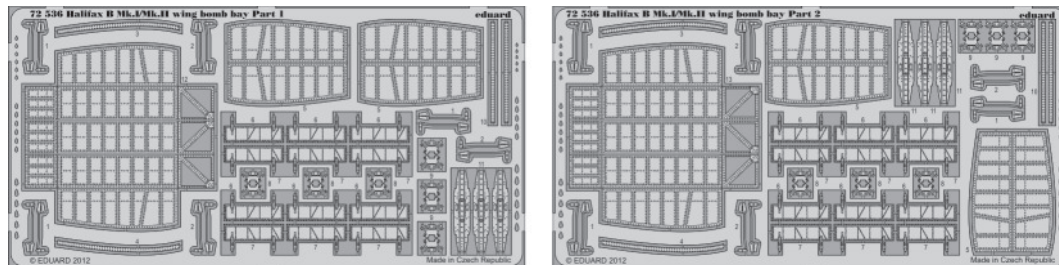
For further detail sets look for **eduard** SS 429+73 429 Halifax B Mk.I/Mk.II interior  
(not included in this set)



For further detail sets look for **eduard** 72 534 Halifax B Mk.I/Mk.II main bay  
(not included in this set)



For further detail sets look for **eduard** 72 536 Halifax B Mk.I/Mk.II wing bay  
(not included in this set)



For canopy mask look for **eduard** CX 310 and CX 317  
(not included in this set)

