

modelcollect

**5P85S MISSILE LAUNCHER  
S-300PM/PMU (SA-10 GRUMBLE)**



搜模閣

UA72045

1:72  
SCALE



# S-300PM/PMU (SA-10 GRUMBLE) 5P85S MISSILE LAUNCHER



ITEM NO:UA72045

The S-300 is regarded as one of the most potent anti-aircraft missile systems currently fielded. Its radars have the ability to simultaneously track up to 100 targets while engaging up to 12/24/36. S-300 deployment time is five minutes. The S-300 missiles are sealed rounds and require no maintenance over their lifetime. An evolved version of the S-300 system is the S-400 (NATO reporting name SA-21 Growler), entering limited service in 2004.

The S-300PS/S-300PM (Russian C-300ПC/C-300ПM, NATO reporting name SA-10d/e) was introduced in 1985 and is the only version thought to have been fitted with a nuclear warhead. This model saw the introduction of the modern TEL and mobile radar and command-post vehicles that were all based on the MAZ-7910 8 x 8 truck. This model also featured the new 5V55R missiles which increased maximum engagement range to 90 km (56 mi) and introduced a terminal semi-active radar homing (SARH) guidance mode. The surveillance radar of these systems was designated 30N6. Also introduced with this version was the distinction between self-propelled and towed TELs. The towed TEL is designated 5P85T. Mobile TELs were the 5P85S and 5P85D. The 5P85D was a "slave" TEL, being controlled by a 5P85S "master" TEL. The "master" TEL is identifiable thanks to the large equipment container behind the cabin; in the "slave" TEL this area is not enclosed and is used for cable or spare tyre storage.

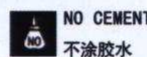
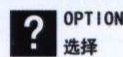
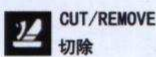
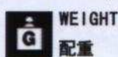
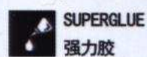
The next modernisation, called the S-300PMU (Russian C-300ПMУ, US DoD designation SA-10f) was introduced in 1992 for the export market and featured the upgraded 5V55U missile which still utilised the intermediate SARH terminal guidance method and smaller warhead of the 5V55R but increased the engagement envelope to give this missile roughly the same range and altitude capabilities as the newer 48N6 missile (max. range 150 km/93 mi). The radars were also upgraded, with the surveillance radar for the S-300PMU being designated 64N6 (BIG BIRD) and the illumination and guidance radar being designated 30N6-1 in the GRAU index. S-300P Total produced: 3000 launchers, 28,000 missiles for the S-300P.

S-300PS/S-300PM (俄文: C-300ПC/C-300ПM, 北约代号SA-10D/E), 于1985年投入使用, 装有核弹头。该型号引入了现代TEL和移动雷达与指挥车, 各项均装载于MAZ-7910 8x8卡车上。该型号还配设新式5V55R导弹, 最大作战范围增加至90公里(56英里), 并采用了末端半主动雷达制导(SARH)。这些系统的监视雷达名为30N6。此外, 该型号采用自走式与牵引式两种发射车。牵引式发射车命名为5P85T。移动式运输发射车命名为5P85S和5P85D。其中5P85D为“从动”TEL, 5P85S为“主动”TEL, 部署时, 每辆5P85S控制2辆5P85D。5P85S安装有储藏大型设备容器的控制仓, 而“从动”TEL中, 该区域未封装, 仅用于存储电缆或备胎。

S300下一代现代化系统, 称为S-300PMU(俄文: C-300ПMУ, 国防部代号SA-10F), 于1992年投入使用, 主要适用于出口市场。该系统仍配设中间式SARH中断制导方式, 并采用较小的5V55R弹头, 但作战范围有所增加, 使得该种导弹能够大致达到与新式48N6导弹相同的作战范围和最大射高(最大范围150公里/93英里)。S-300PMU雷达也得到了升级, 配设代号为64N6(BIG BIRD), 照明和制导雷达代号为30N6-1(GRAU系列)。

●READ BEFORE ASSEMBLY

1. When you use glue or paint, do not near flame, and use in a well-ventiated room.
2. Take extra care in handling photo etch parts in order to avoid injury
3. When you take parts off the runner frame, use modeling scissors and trim excess plastic with a cutter or a file.
4. Glue and paint are not included.
5. This product is only suitable for experienced more than 14 years old.



DECAL APPLICATION

1. Cut off decal from sheet.
2. Dip the decal in tepid water 40° C for about 10 sec. and place on a clean cloth.
3. Hold the backing sheet edge and slide decal onto the model.
4. Move decal into position by wetting decal with finger.
5. Press decal gently down with a soft cloth until excess water and air bubbles are gone.

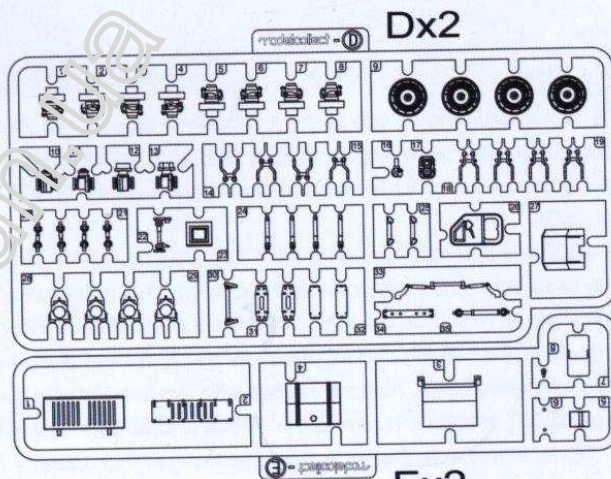
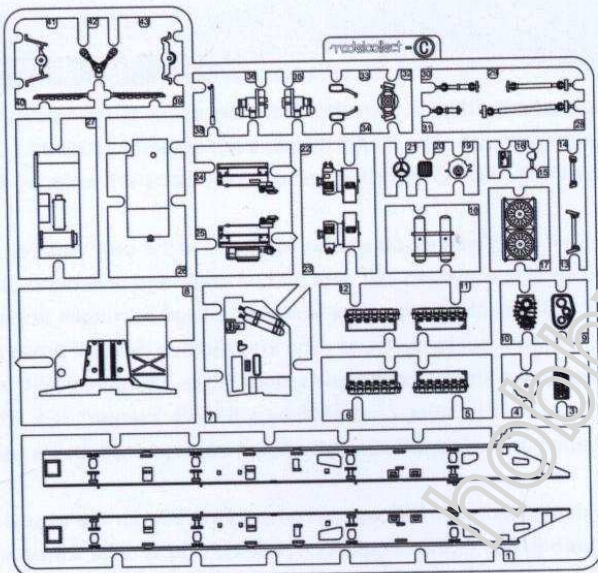
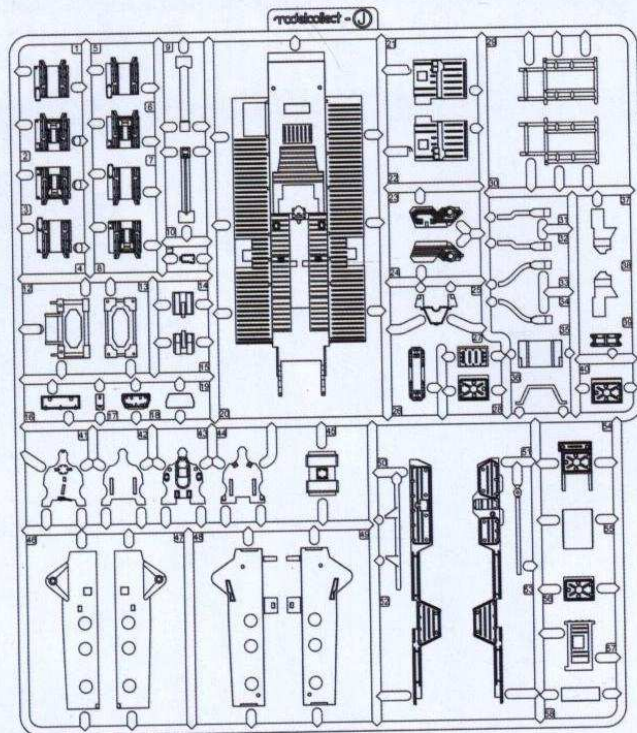
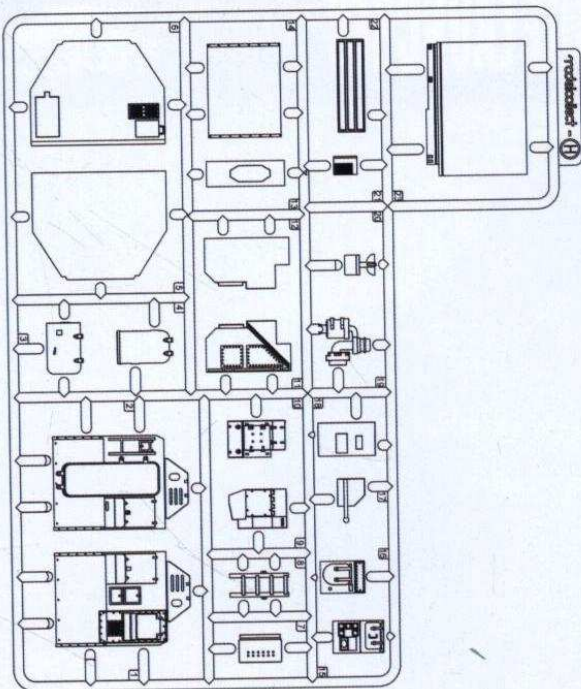
●装配之前仔细阅读:

1. 勿於近火处使用胶水或油漆, 并 打开窗户保持空气流通。
2. 取蚀刻片时应特别注意安全, 防止利边划伤手指。
3. 从胶架上取出部件时, 应用模型专用剪, 并用界刀或小锉除去多余的胶料。
4. 请使用塑料胶水和油漆, 模型内不含。
5. 本产品不适合14岁以下没有经验的模型爱好者。

水贴纸的使用:

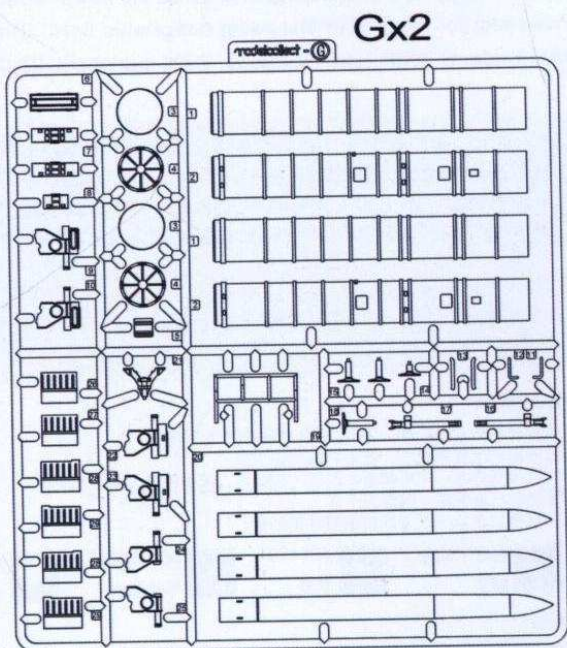
1. 从水贴上剪下印花。
2. 将印花放入温水中浸10秒, 然后放在干净布上。
3. 拿着印花纸板将印花移到模型上。
4. 手指蘸水将印花移到适当的位置。
5. 用软布轻压印花直至不干, 气泡消失。





Dx2

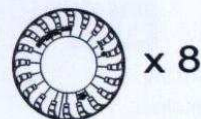
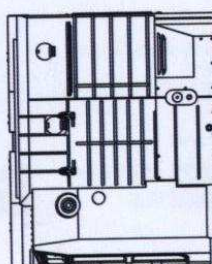
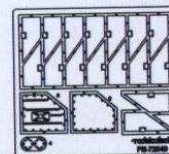
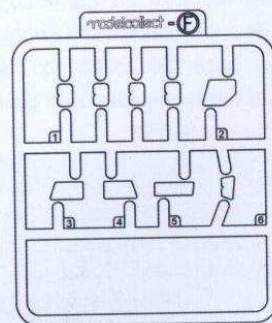
Ex2



Gx2



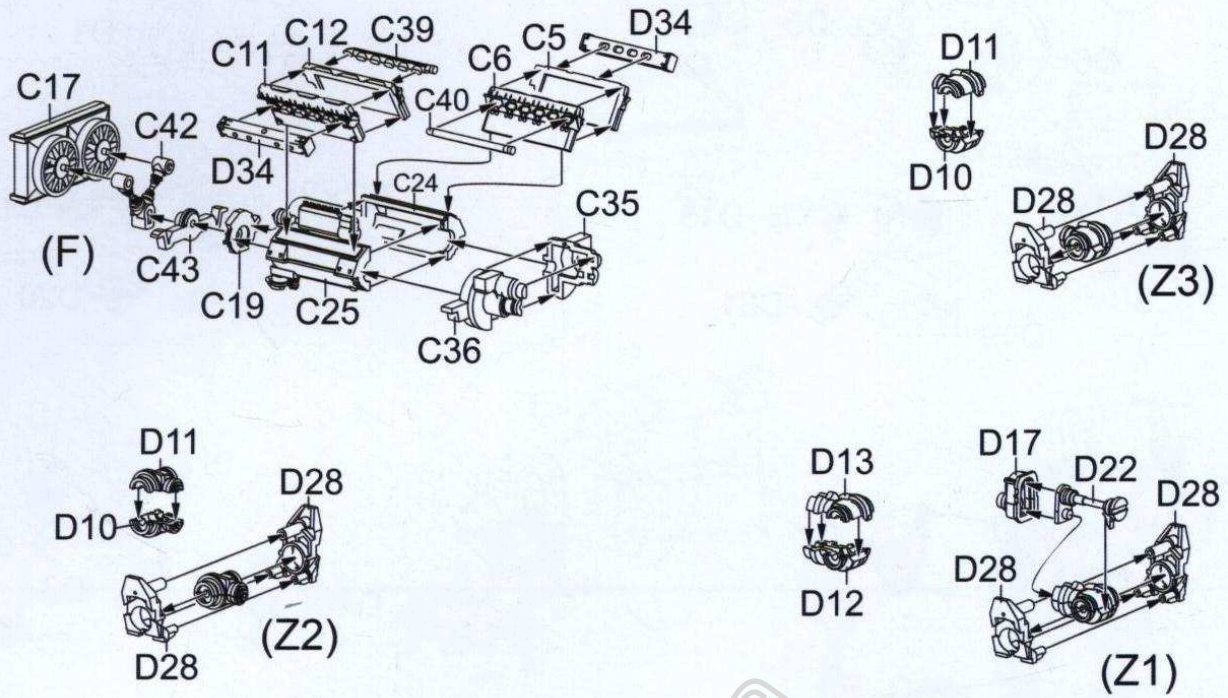
Decal





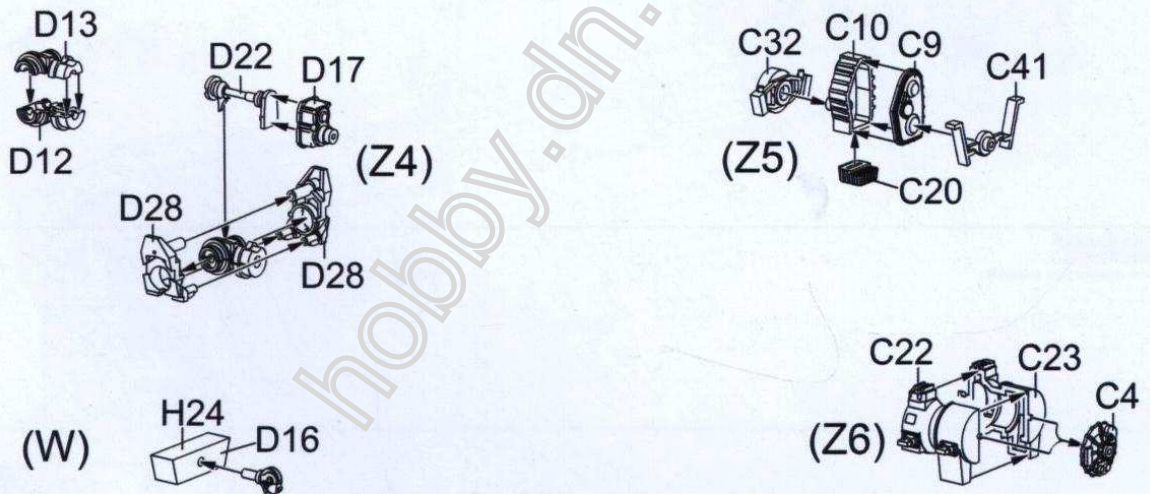
1

发动机及传动结构组装  
發動機及傳動結構組裝  
Attaching engine part and transmission system



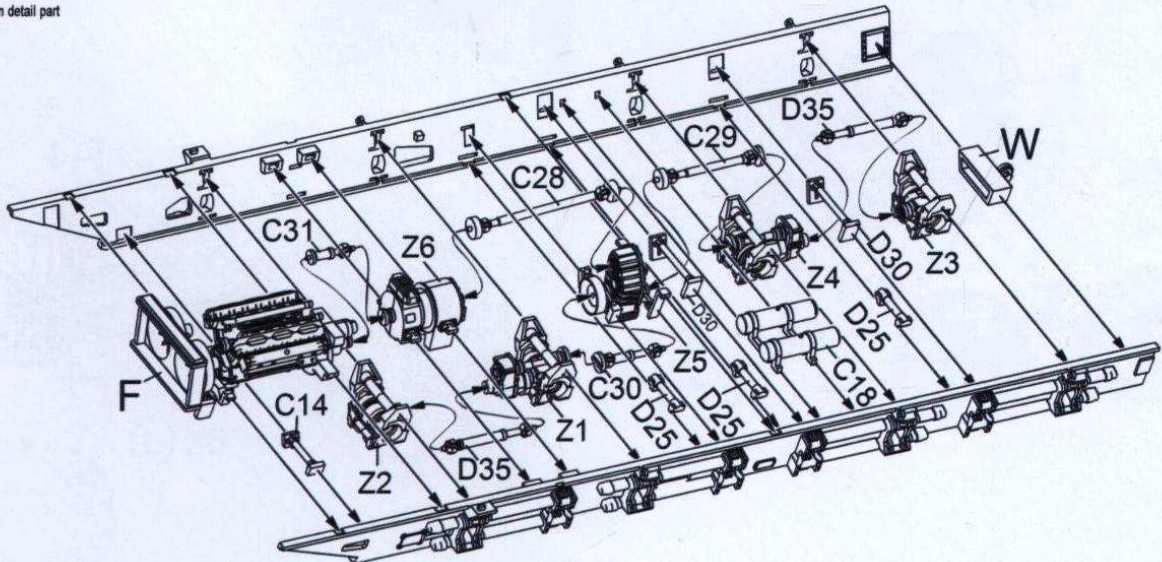
2

发动机及传动结构组装  
發動機及傳動結構組裝  
Attaching engine part and transmission system

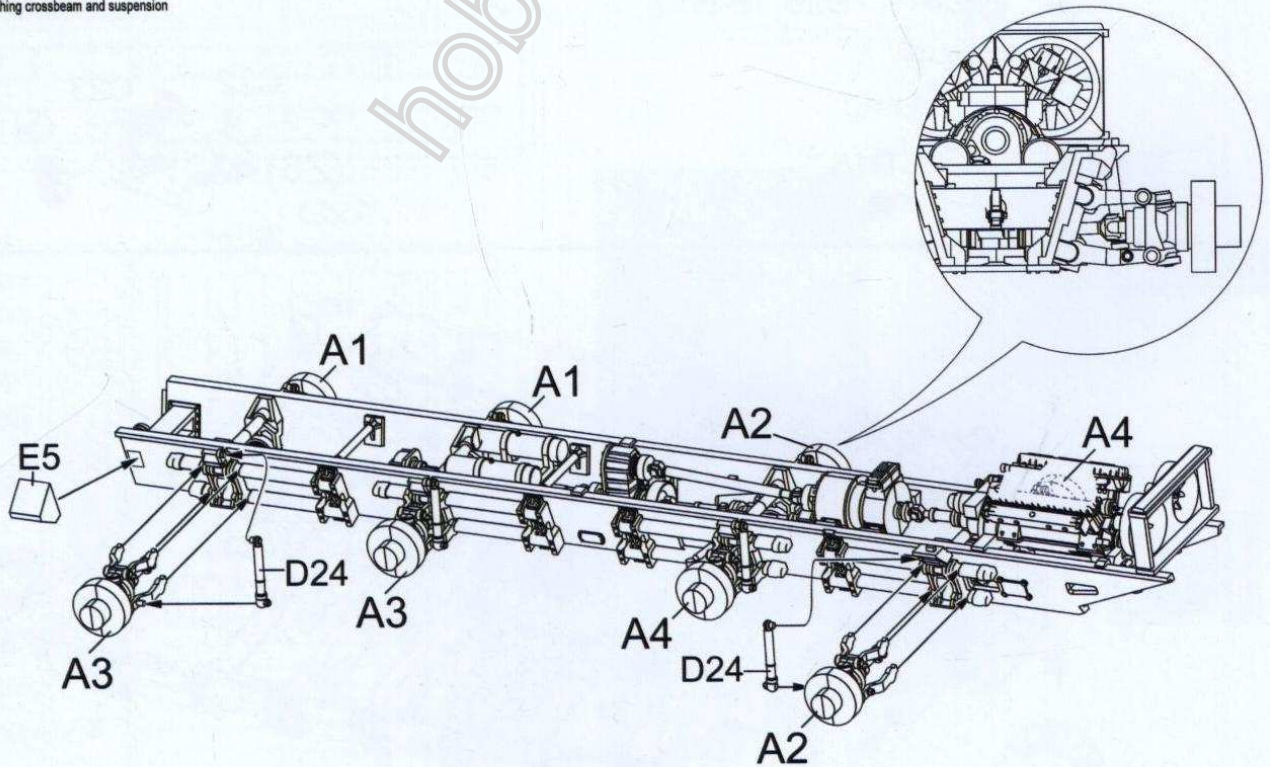
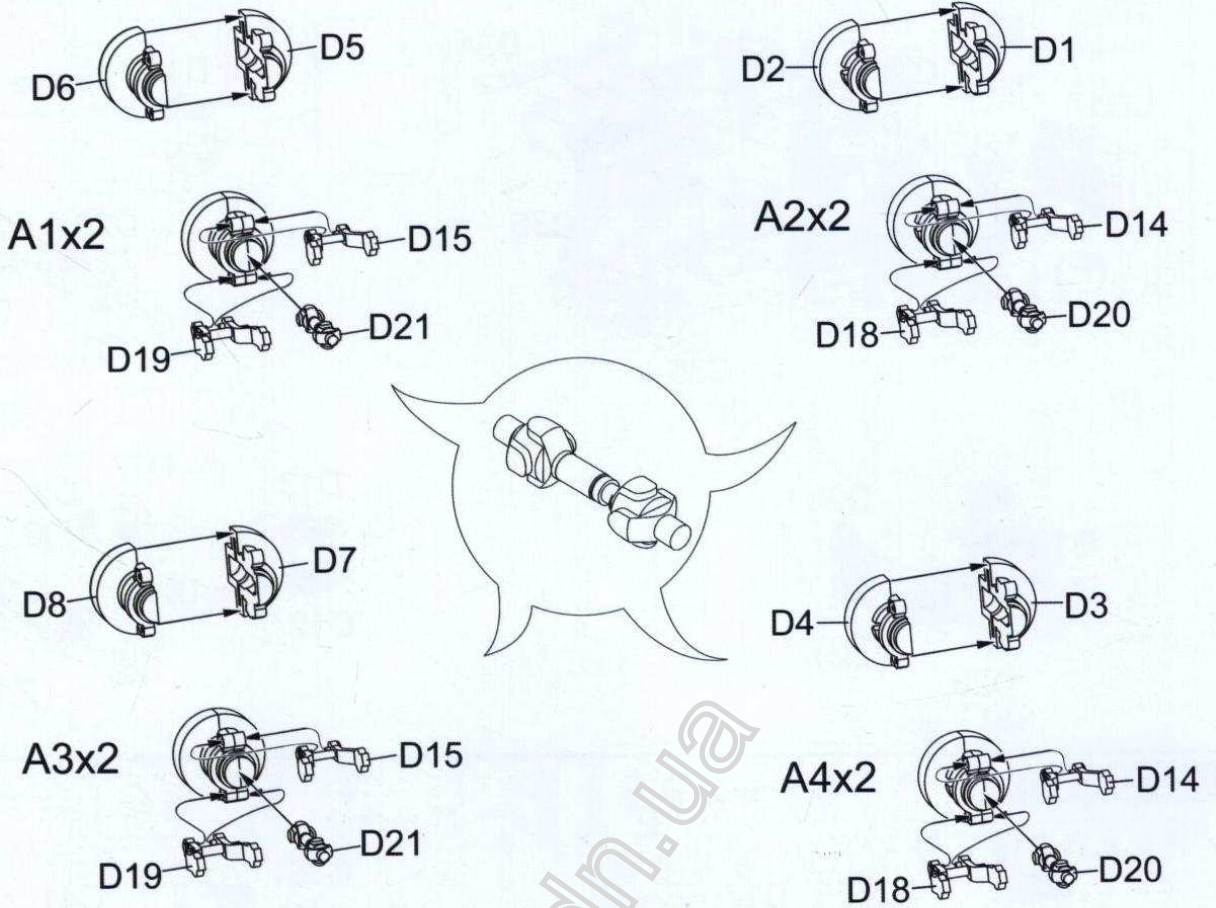


3

车体大梁附件组装  
車體大梁附件組裝  
Attaching crossbeam detail part

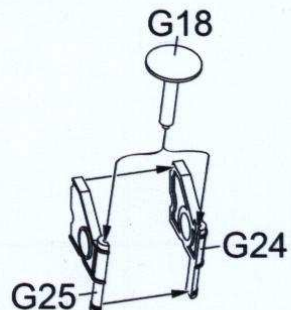
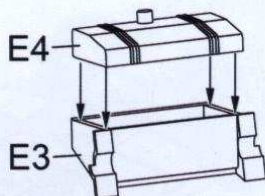
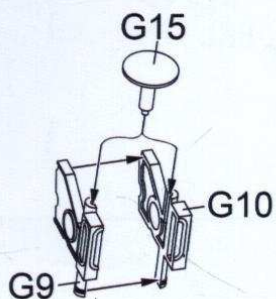
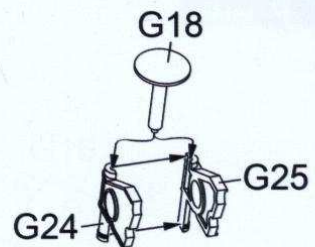
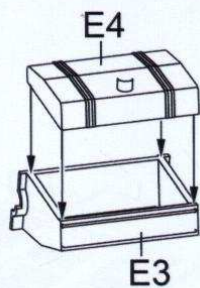
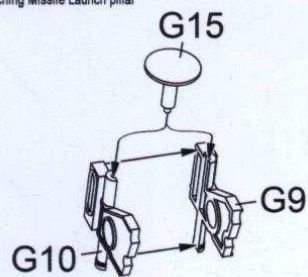




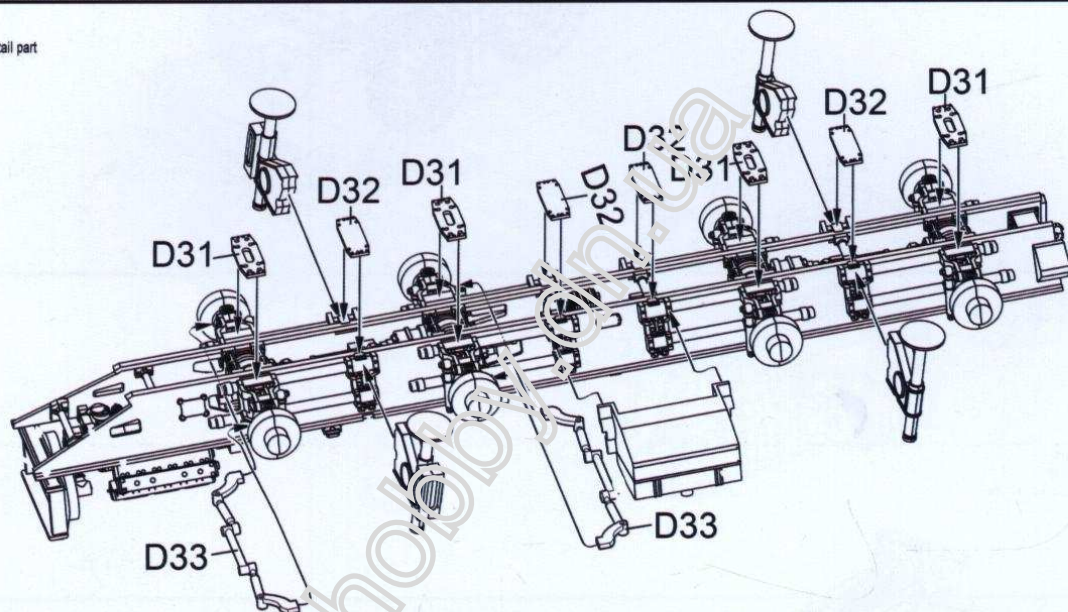




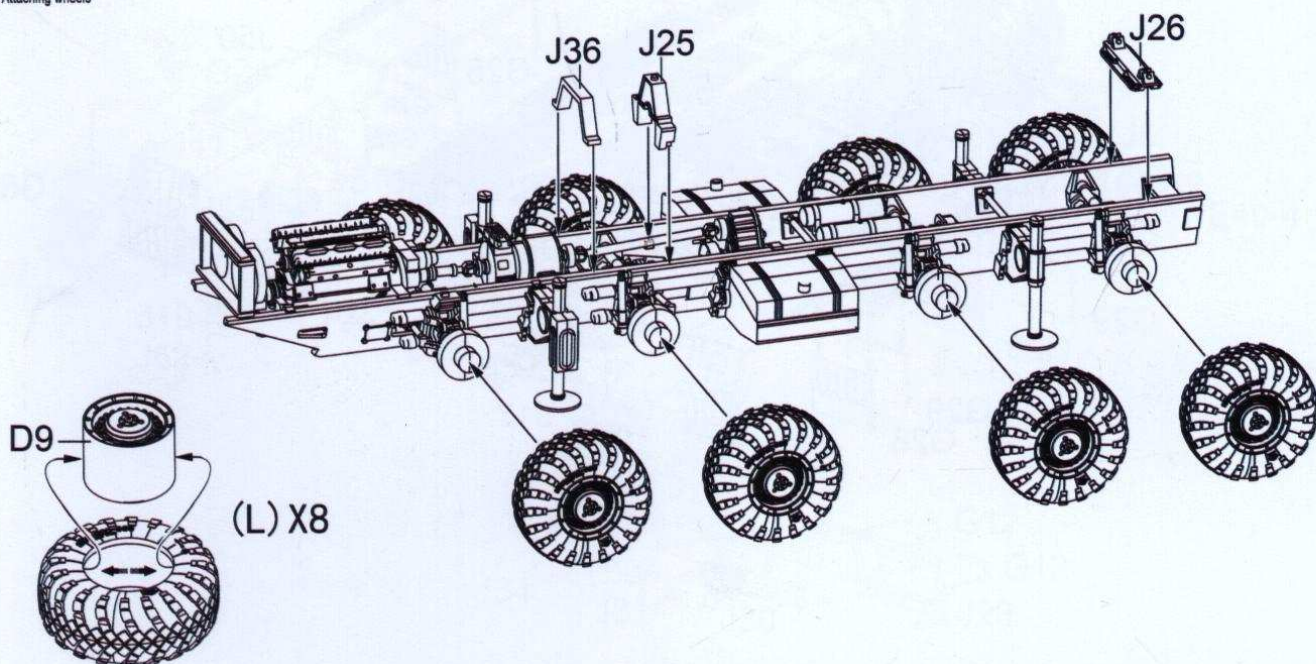
6 车体大梁附件组装  
車體大梁附件組裝  
Attaching Missile Launch pillar



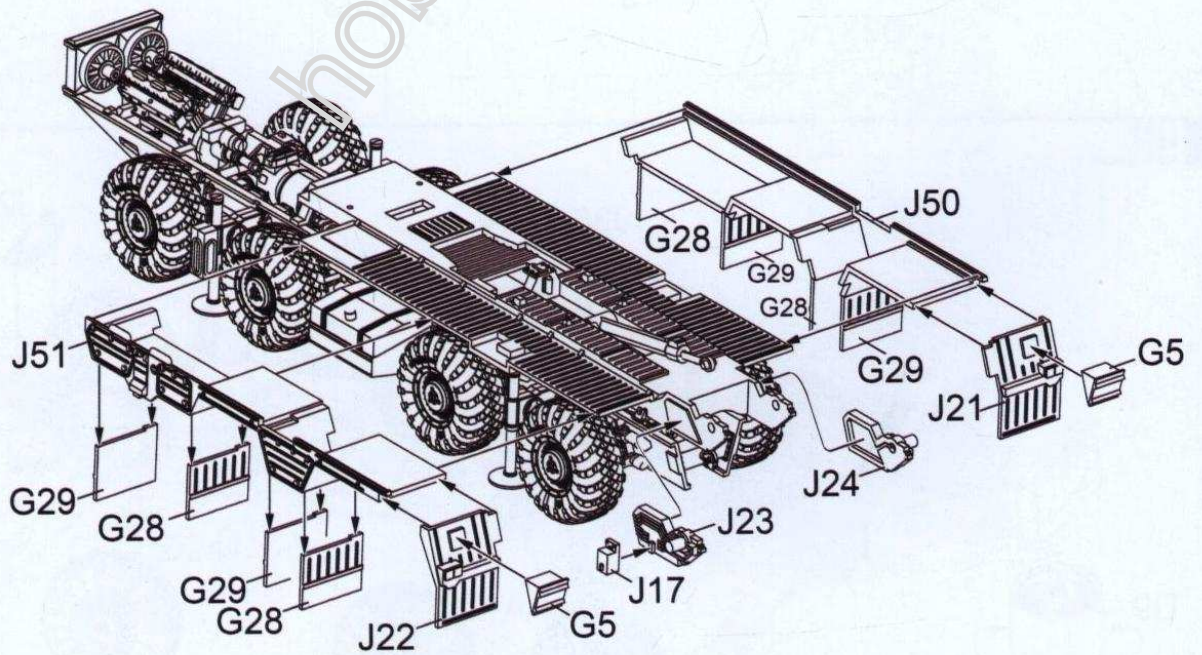
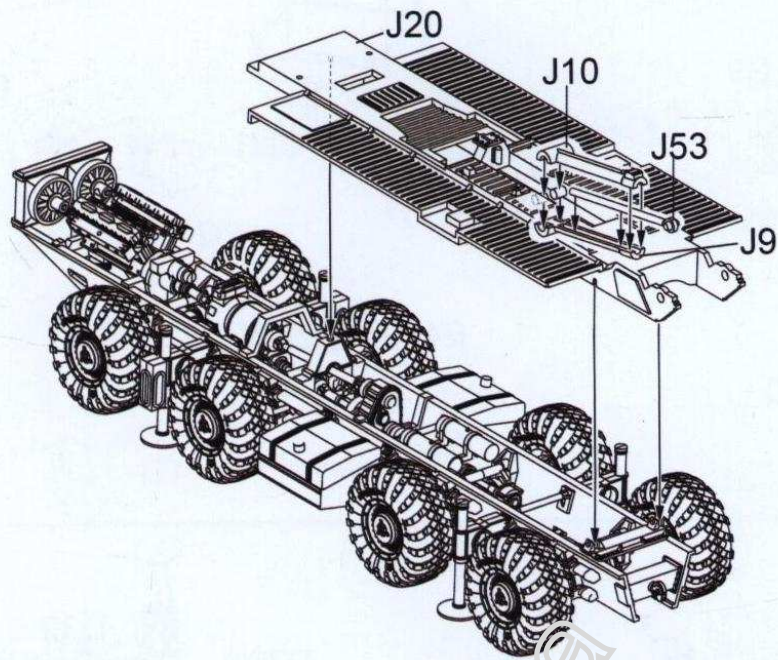
7 车体大梁附件组装  
車體大梁附件組裝  
Attaching crossbeam detail part



8 车轮组装  
車輪組裝  
Attaching wheels

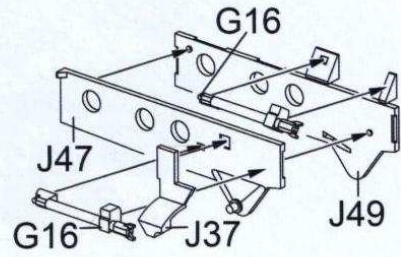
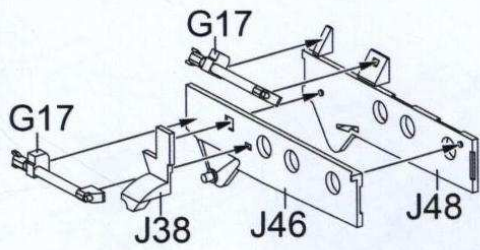




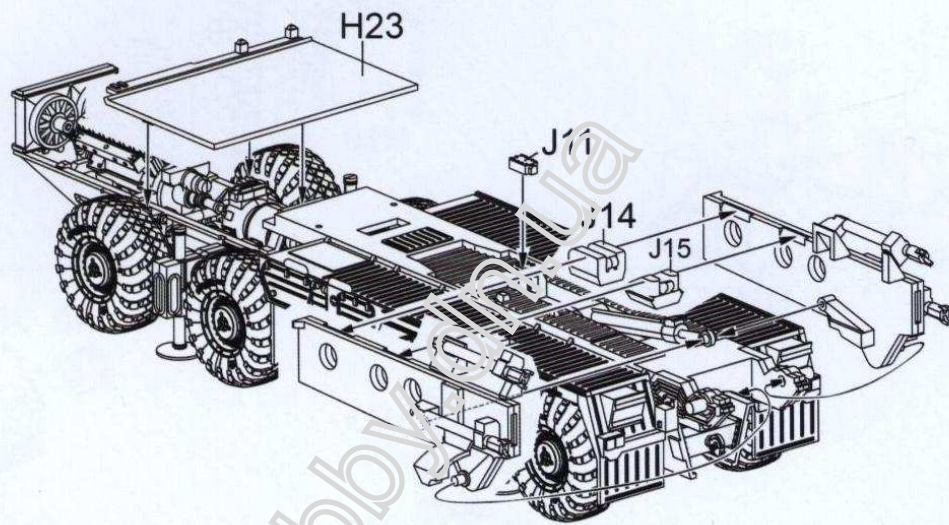




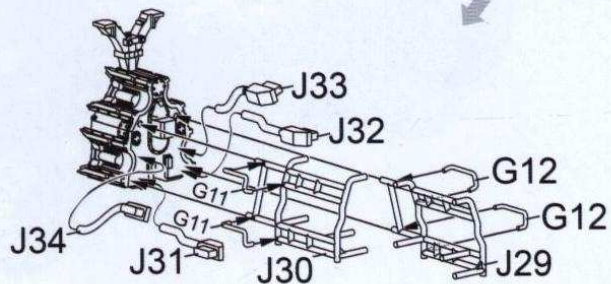
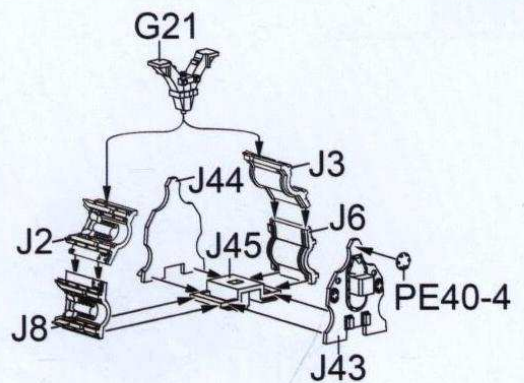
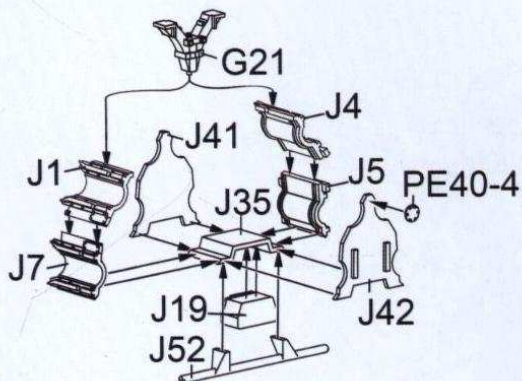
11 组装导弹发射器支柱  
 组装导弹发射器支柱  
 Attaching Missile Launch pillar



12 组装导弹发射器支柱  
 组装导弹发射器支柱  
 Attaching Missile Launch pillar

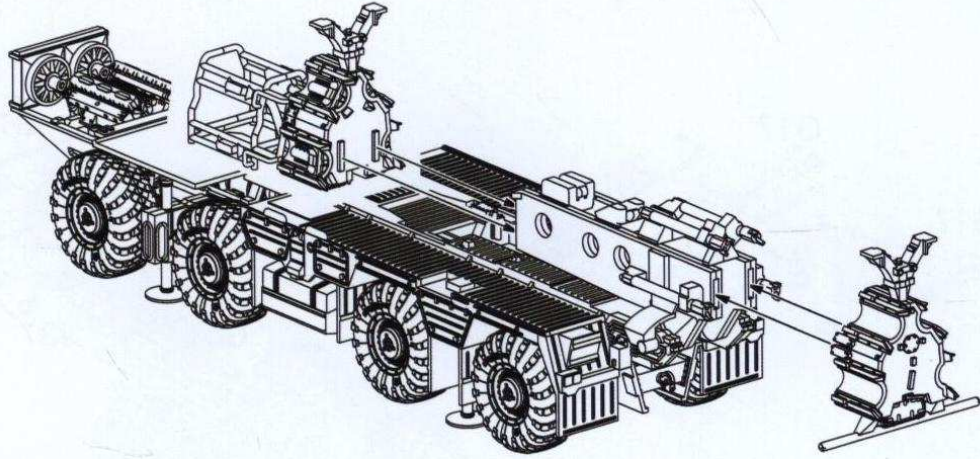


13 组装导弹发射器支柱  
 组装导弹发射器支柱  
 Attaching Missile Launch pillar

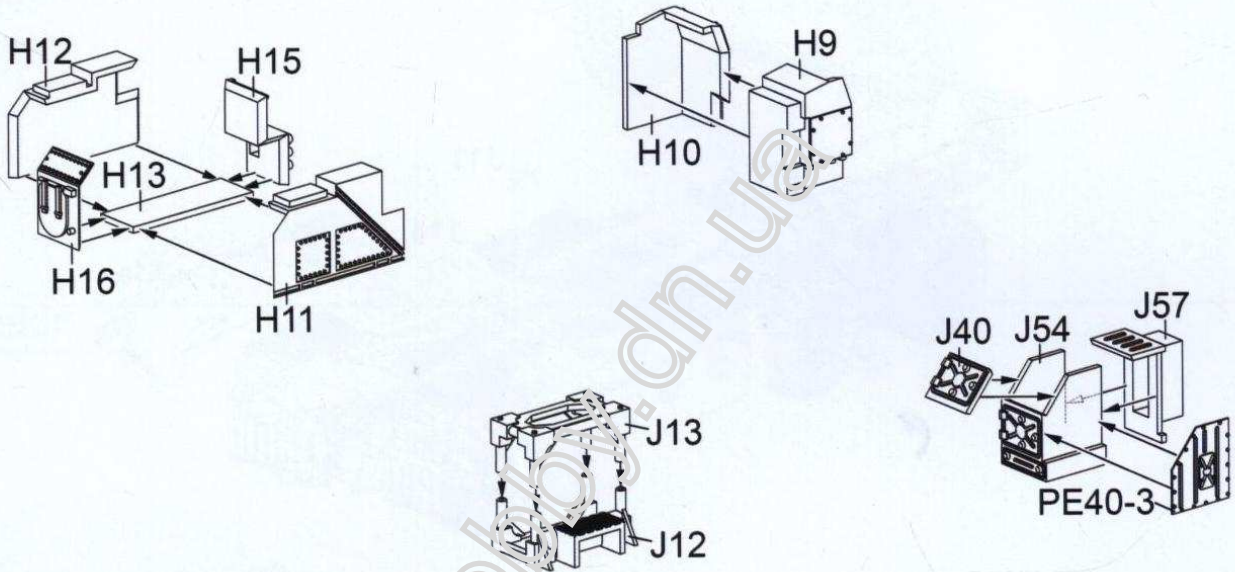




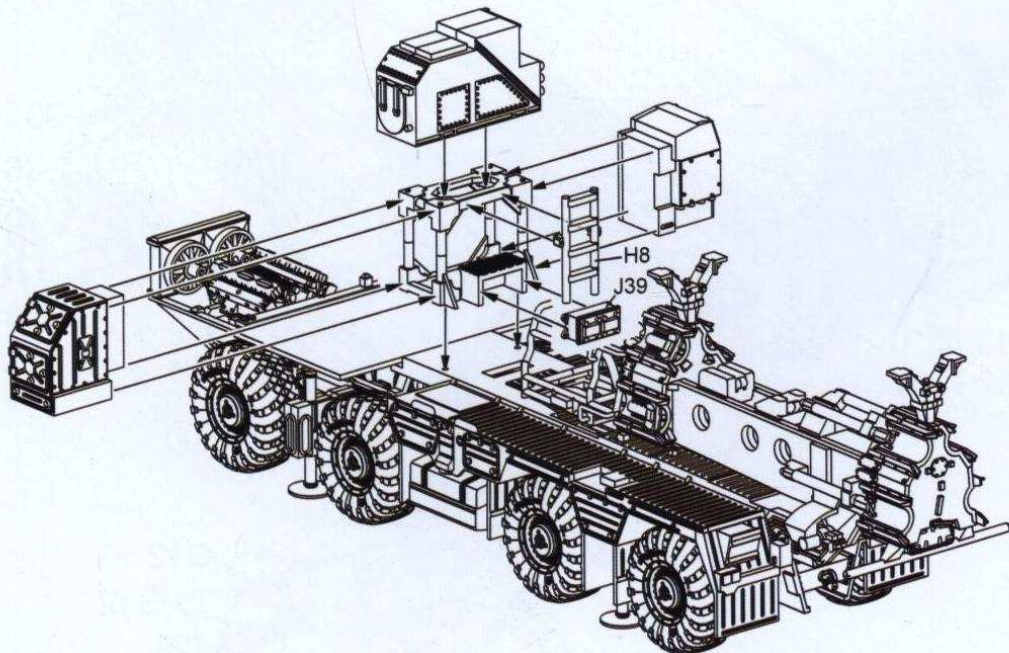
14 组装导弹发射器支柱  
 组装导弹发射器支柱  
 Attaching crossbeam and engine



15 导弹发射控制台组装  
 导弹发射控制台组装  
 Attaching Missile Launch control cabin



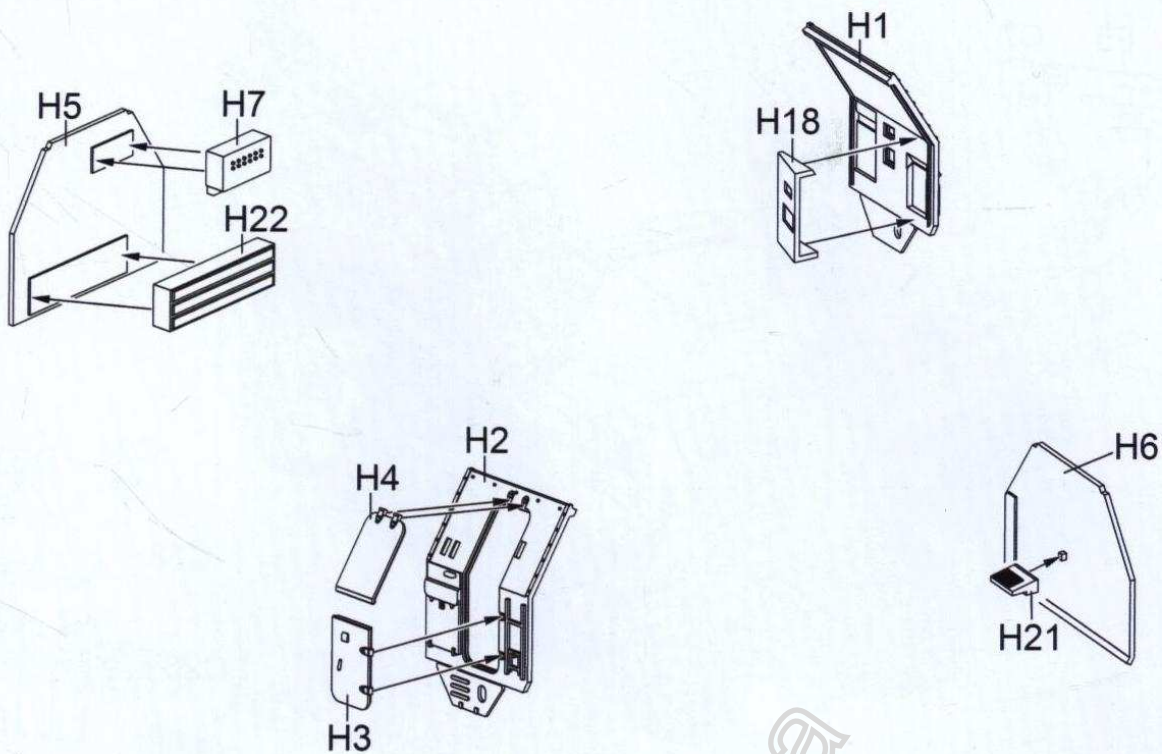
16 导弹发射控制台组装  
 导弹发射控制台组装  
 Attaching Missile Launch control cabin





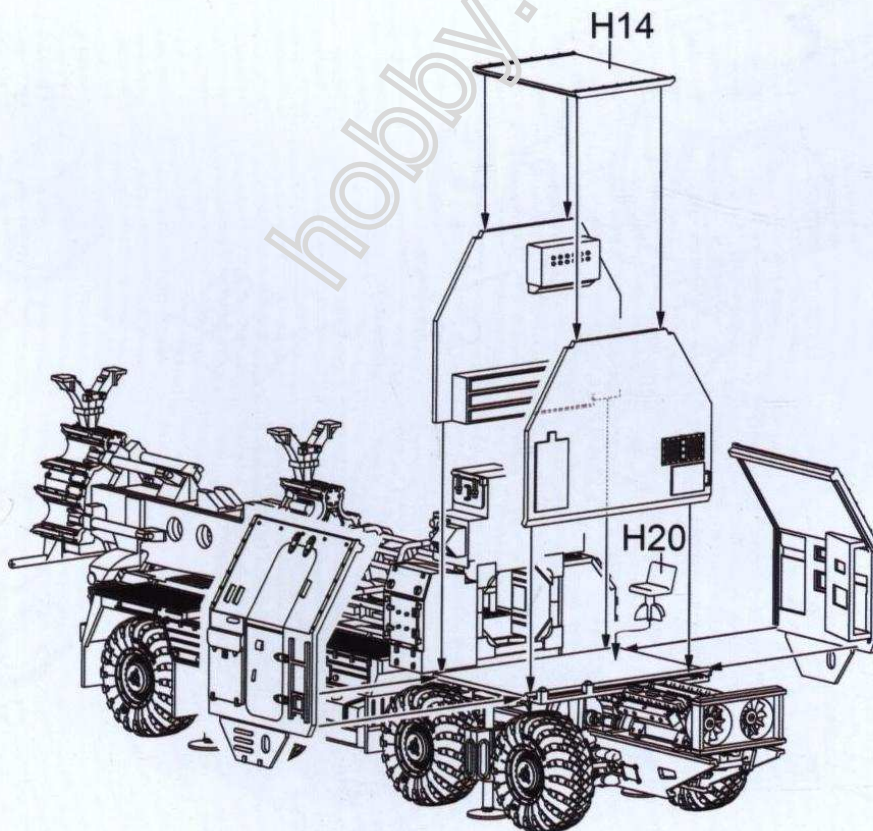
17

导弹发射控制台组装  
导弹发射控制台组装  
Attaching Missile Launch control cabin

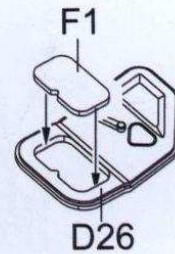
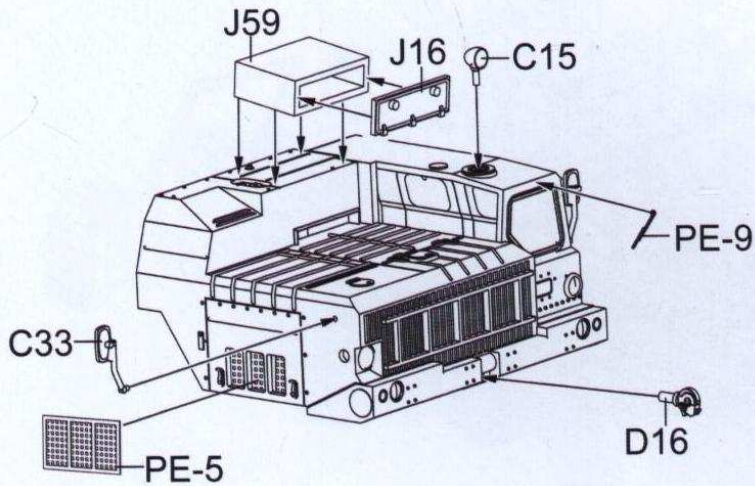
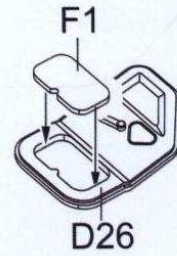
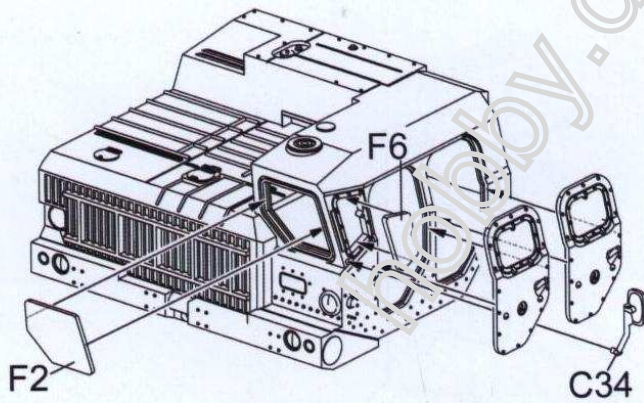
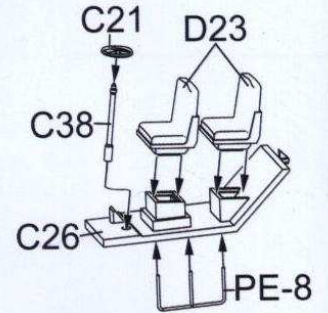
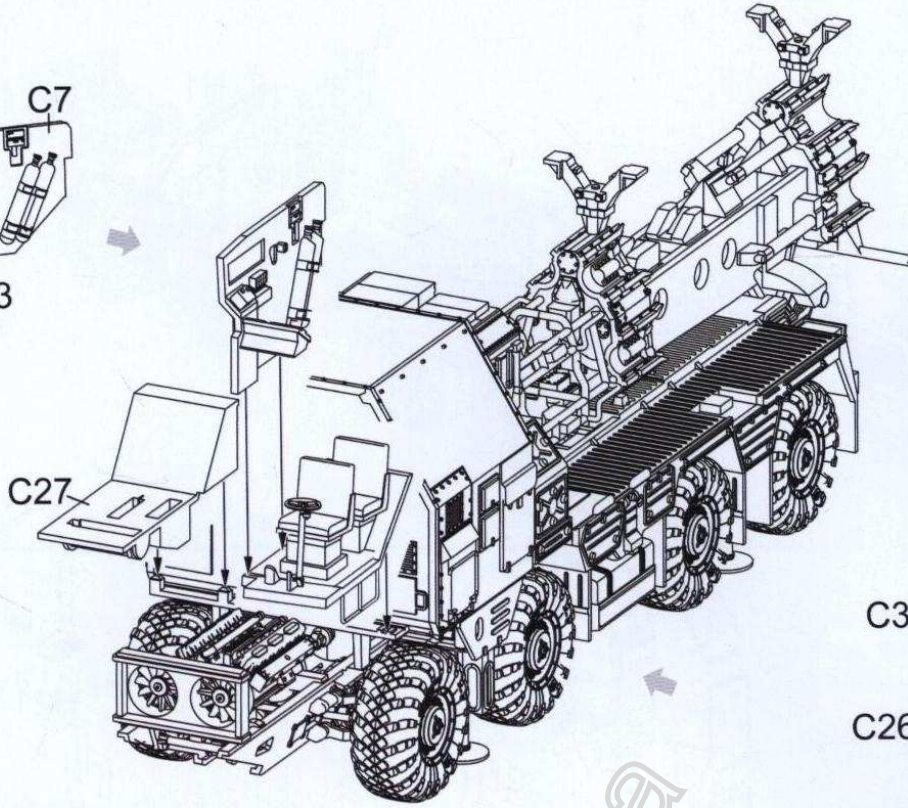
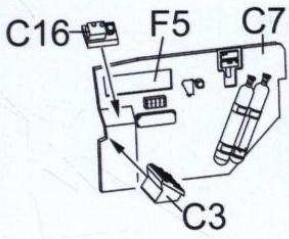


18

导弹发射控制台组装  
导弹发射控制台组装  
Attaching Missile Launch control cabin



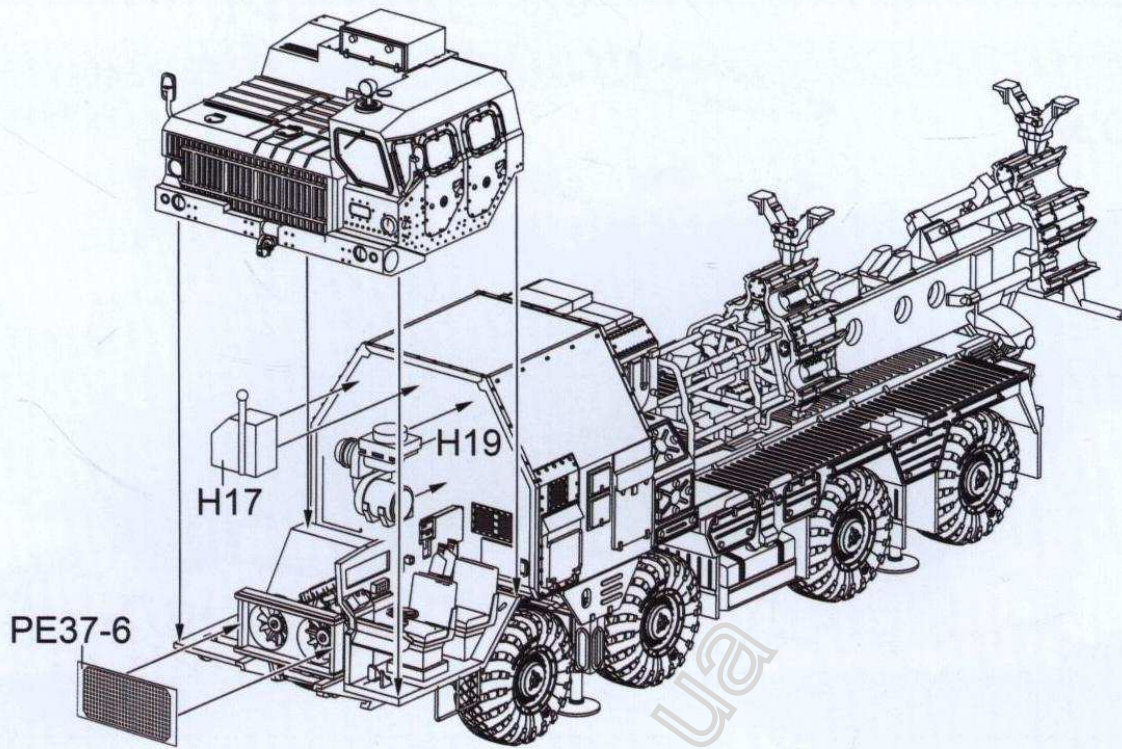






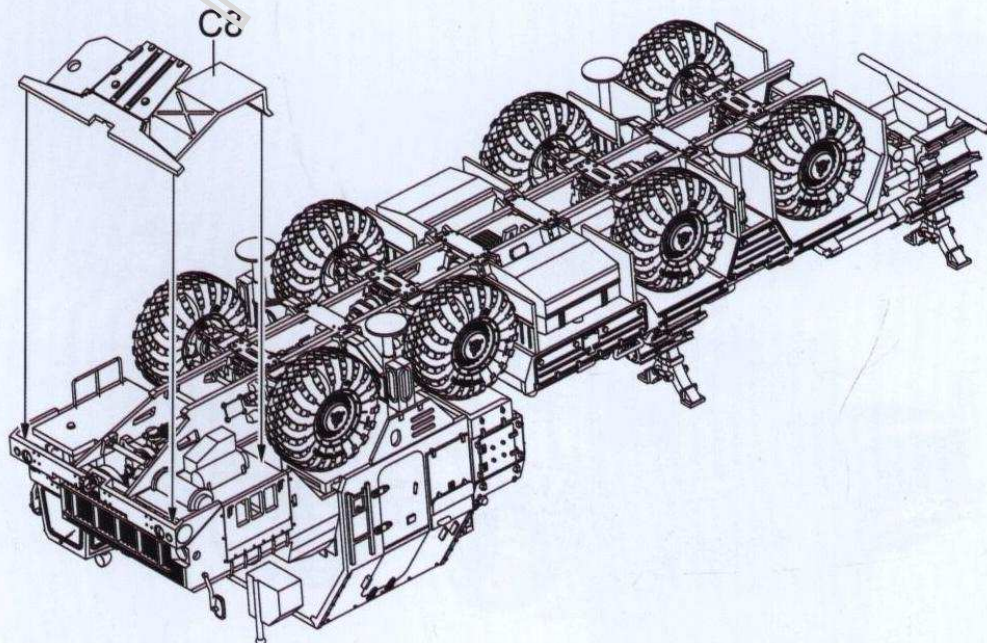
21

駕駛室組裝  
駕駛室組裝  
Attaching drive cabin



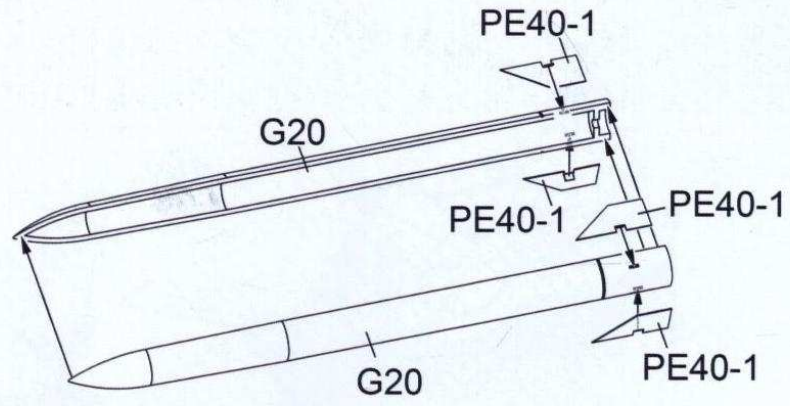
22

駕駛室組裝  
駕駛室組裝  
Attaching drive cabin

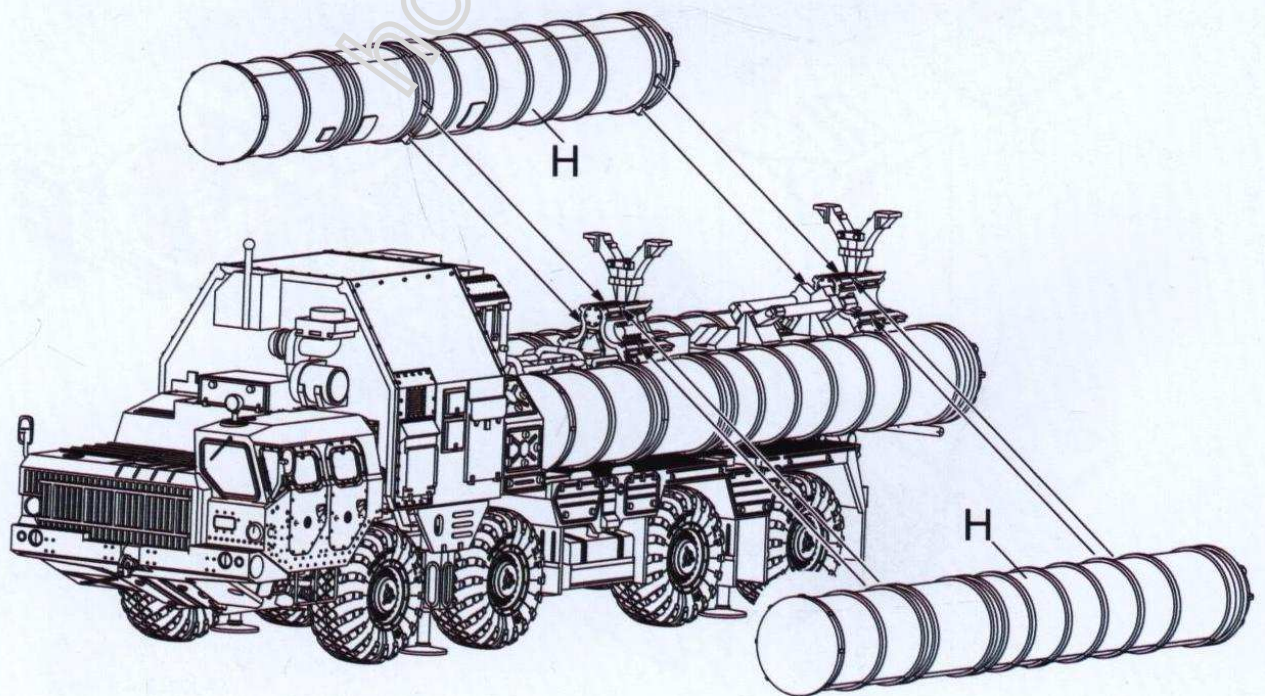
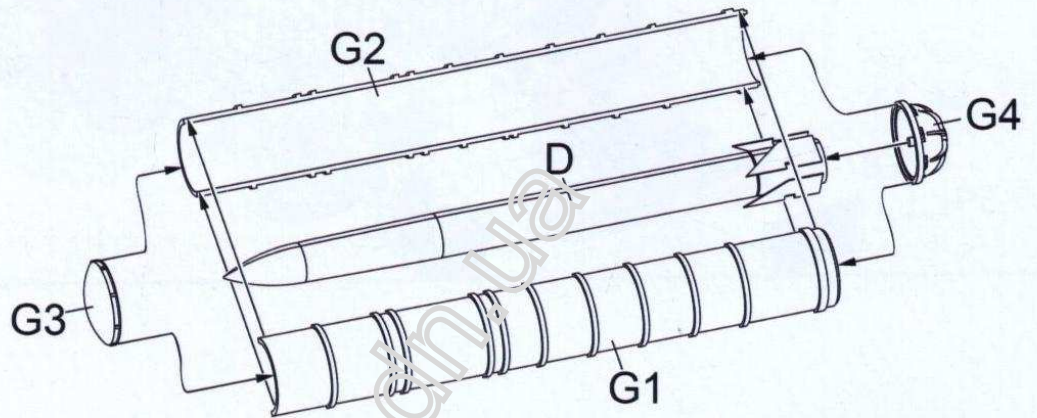




(D)x4



(H)x4





# S-300PM/PMU (SA-10 GRUMBLE) 5P85S MISSILE LAUNCHER

modelcollect

A.MIG 033 Rubber & Tires

A.MIG 097 Crystal Orange

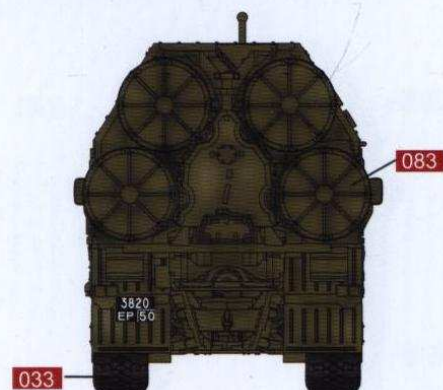
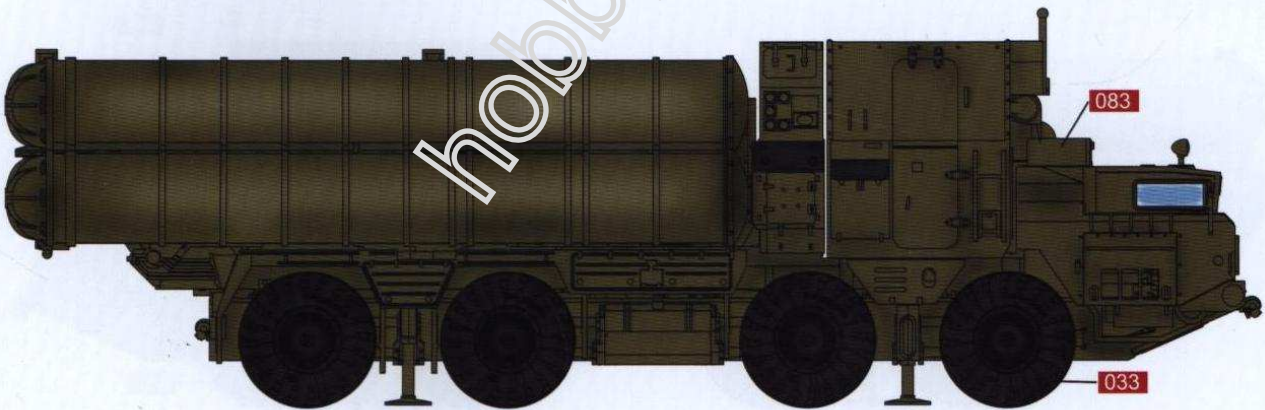
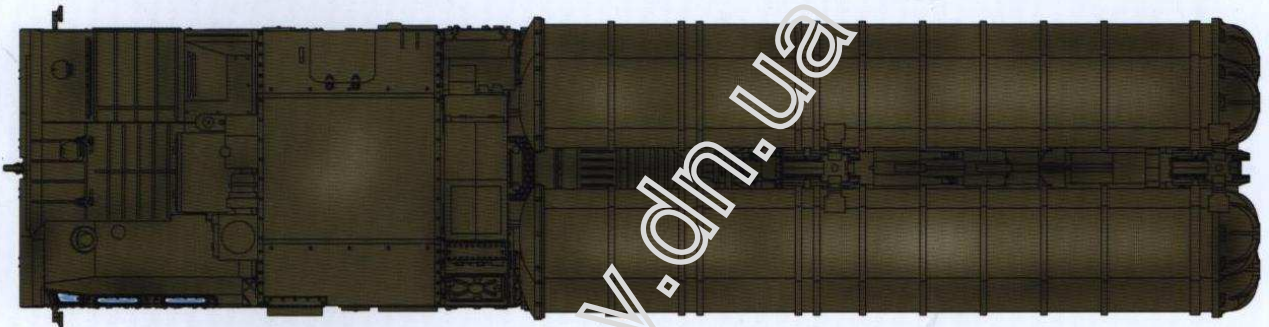
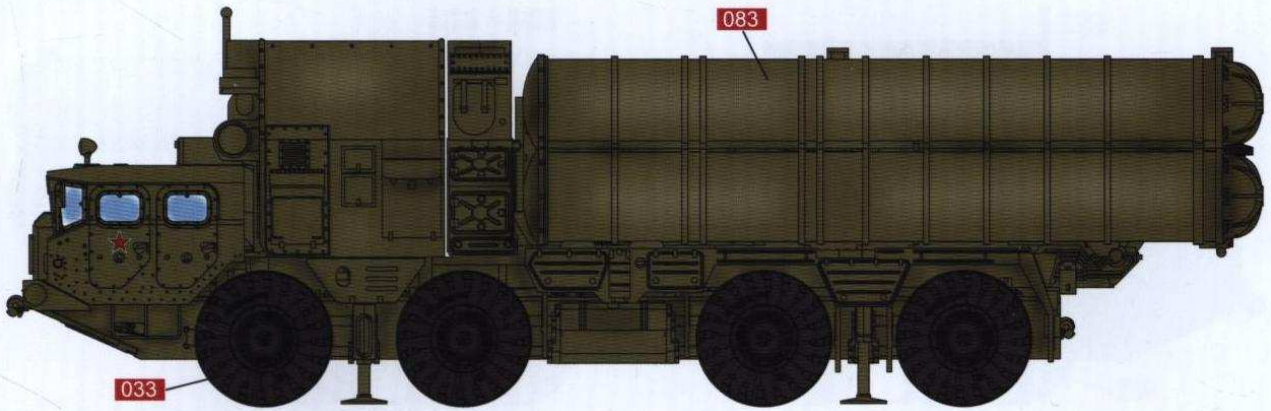
A.MIG 083 ZASHCHITNIY ZELENO

A.MIG 057 Yellow Grey

A.MIG 047 Satin White

A.MIG 0191 Steel

A.MIG 187 JET EXHAUST BURNT IRON





# S-300PM/PMU (SA-10 GRUMBLE) 5P85S MISSILE LAUNCHER

modelcollect

A.MIG 033 Rubber & Tires

A.MIG 097 Crystal Orange

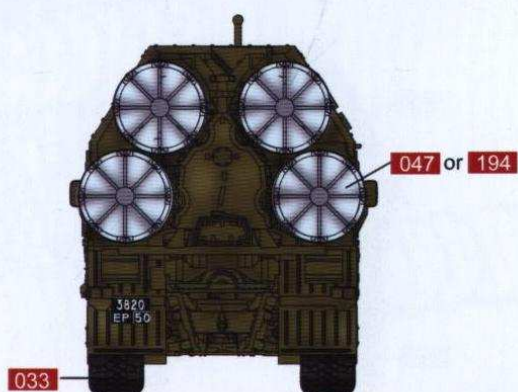
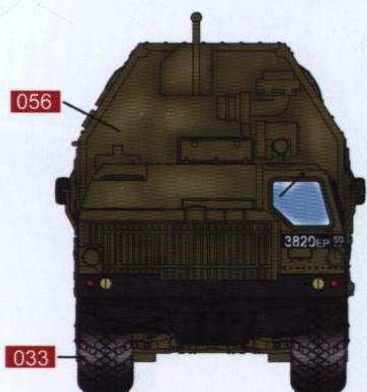
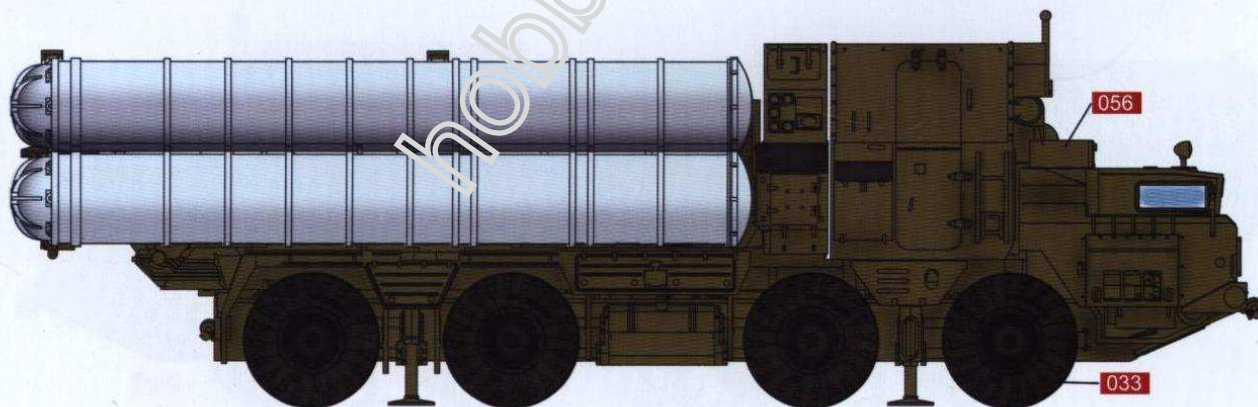
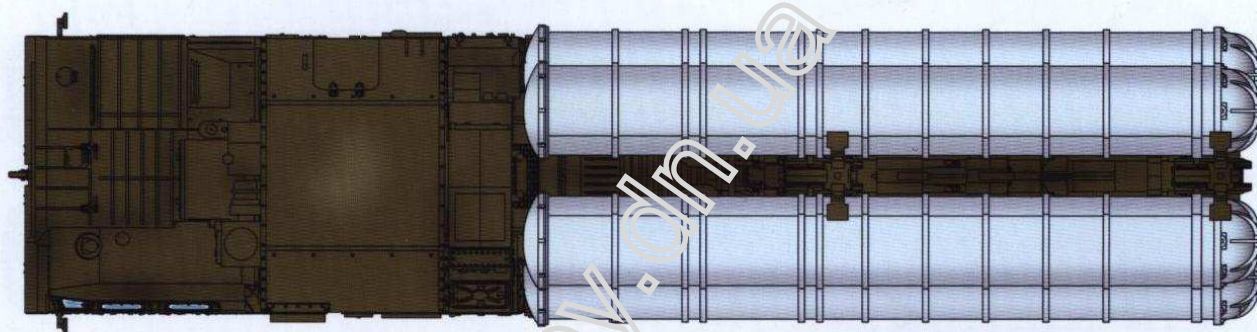
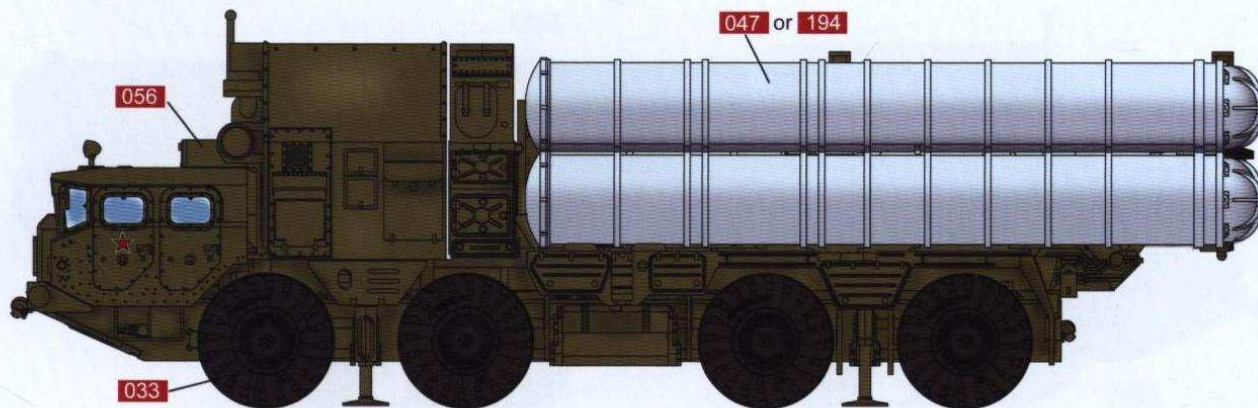
A.MIG 056 Green Khaki

A.MIG 057 Yellow Grey

A.MIG 047 Satin White

A.MIG 0191 Steel

A.MIG 194 Aluminium



MODELCOLLECT

S-300PM/PMU (SA-10 Grumble) 5P85S Missile Launcher UA72045

Color info and profiles by





# S-300PM/PMU (SA-10 GRUMBLE) 5P85S MISSILE LAUNCHER

modelcollect

A.MIG 033 Rubber & Tires

A.MIG 097 Crystal Orange

A.MIG 056 Green Khaki

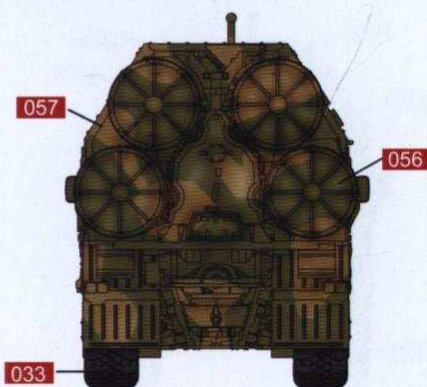
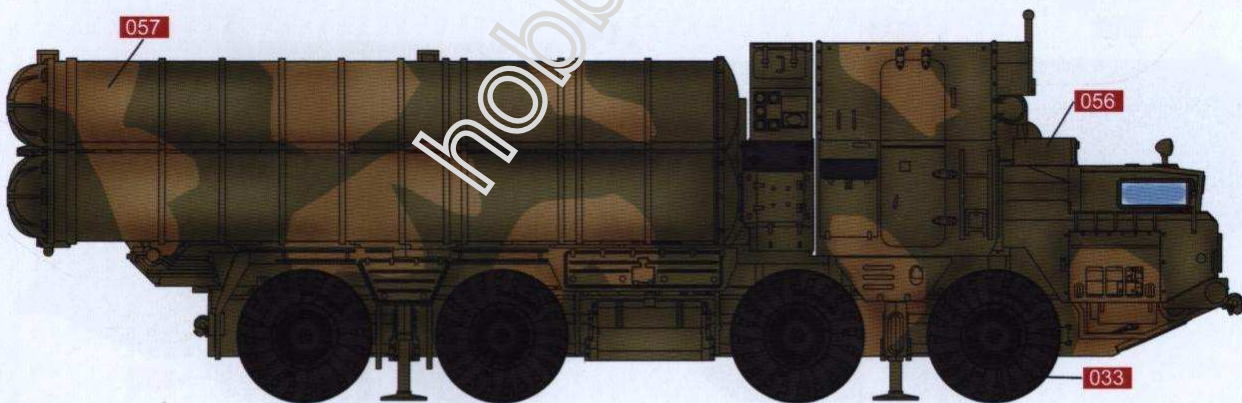
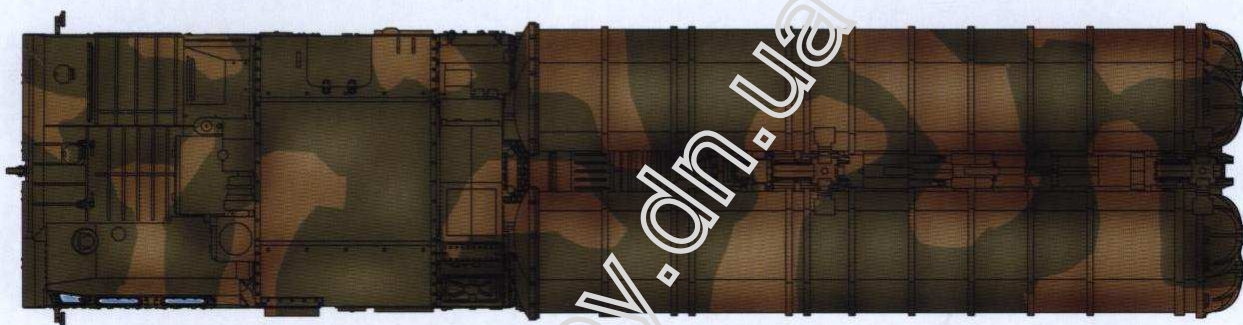
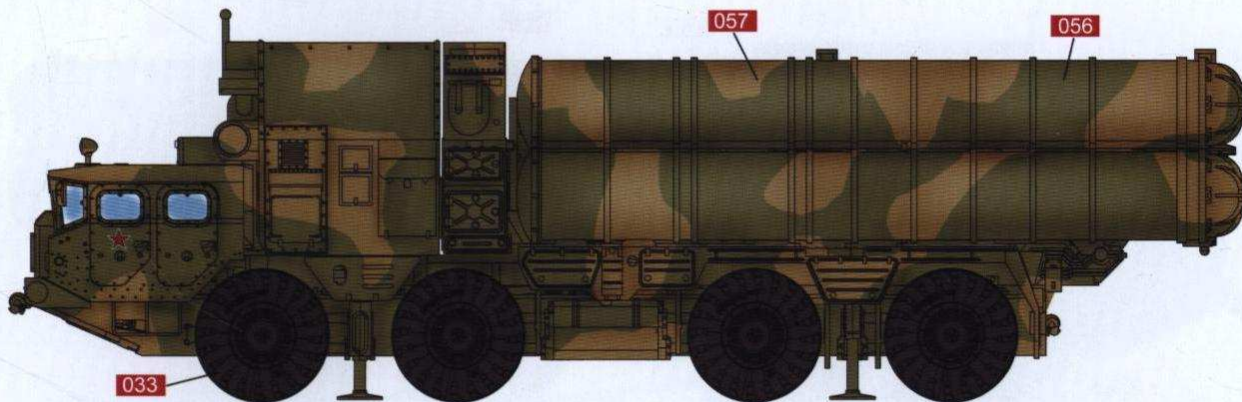
A.MIG 057 Yellow Grey

A.MIG 047 Satin White

A.MIG 019 F Steel

A.MIG 187 JET EXHAUST BURNT IRON

A.MIG 032 Satin Black



MODELCOLLECT

S-300PM/PMU (SA-10 Grumble) 5P85S Missile launcher UA72045

Color info and profiles by





# S-300PM/PMU (SA-10 GRUMBLE) 5P85S MISSILE LAUNCHER

modelcollect

A.MIG 033 Rubber & Tires

A.MIG 070 MEDIUM BROWN

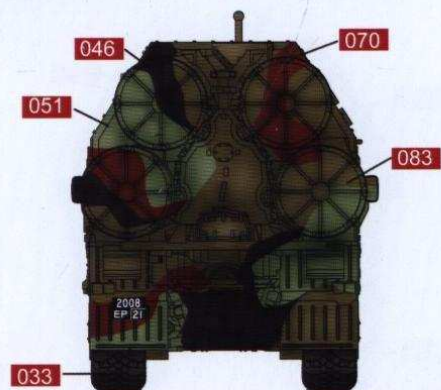
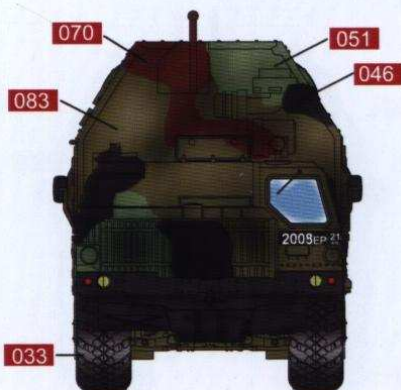
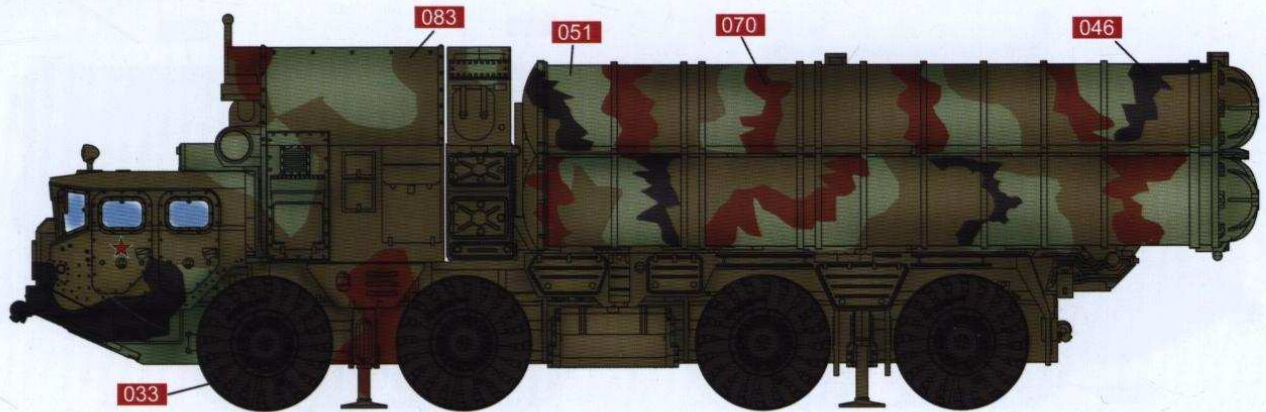
A.MIG 083 ZASHCHITNIY ZELENO

A.MIG 051 OIL OCHRE

A.MIG 046 MATT BLACK

A.MIG 0191 Steel

A.MIG 187 JET EXHAUST BURNT IRON



MODELCOLLECT

S-300PM/PMU (SA-10 Grumble) 5P85S Missile launcher: U672045

Color info and profiles by





