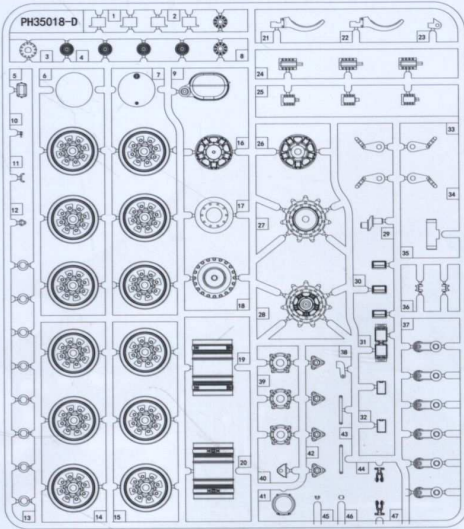
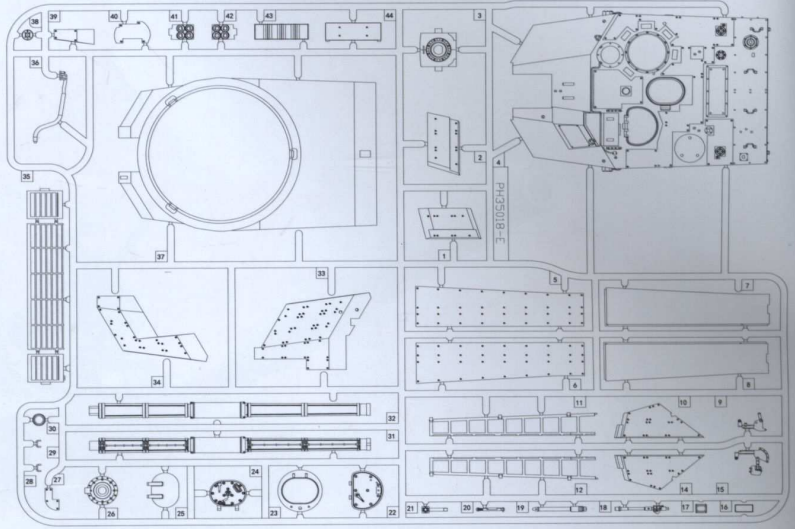


**PARTS**  
版件图

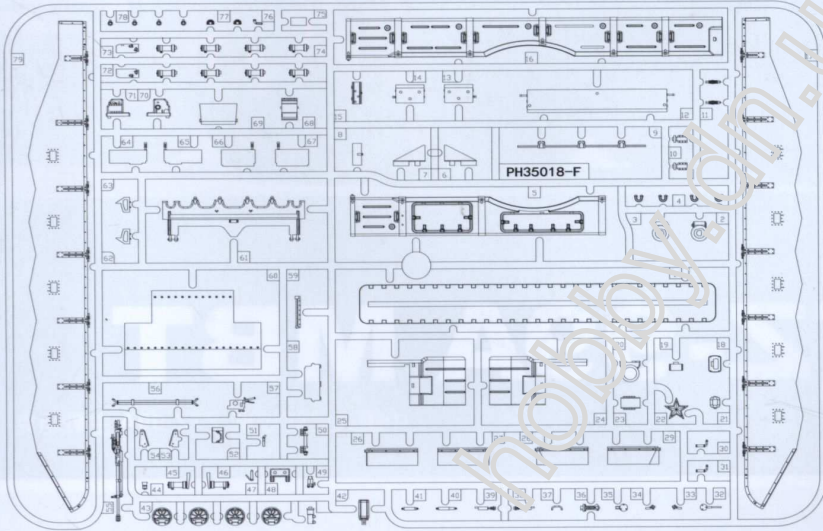
DX 2



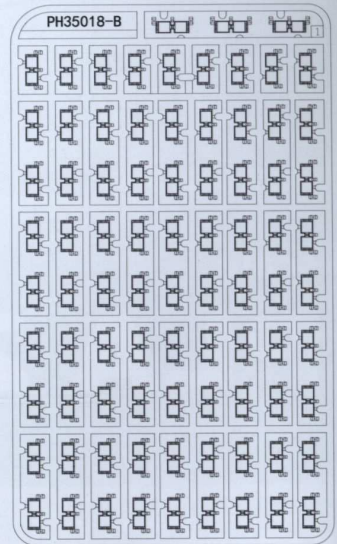
EX 1



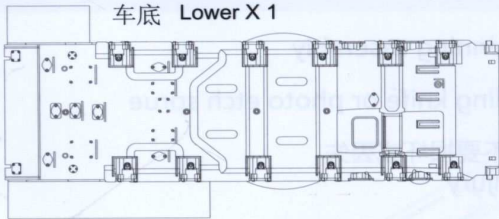
FX 1



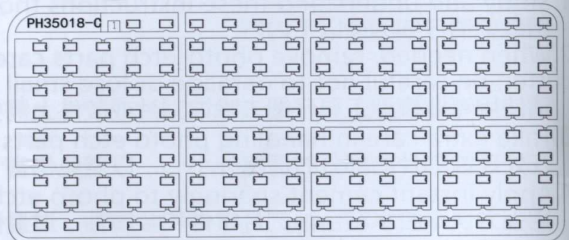
BX 4



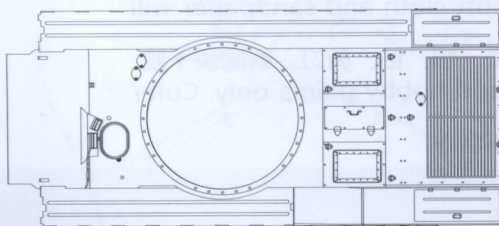
车底 Lower X 1



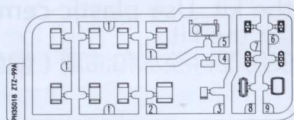
CX 4



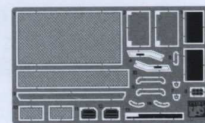
车面 Upper Hull X 1



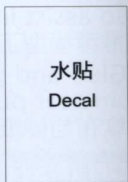
透明件 X 1



PE X 1



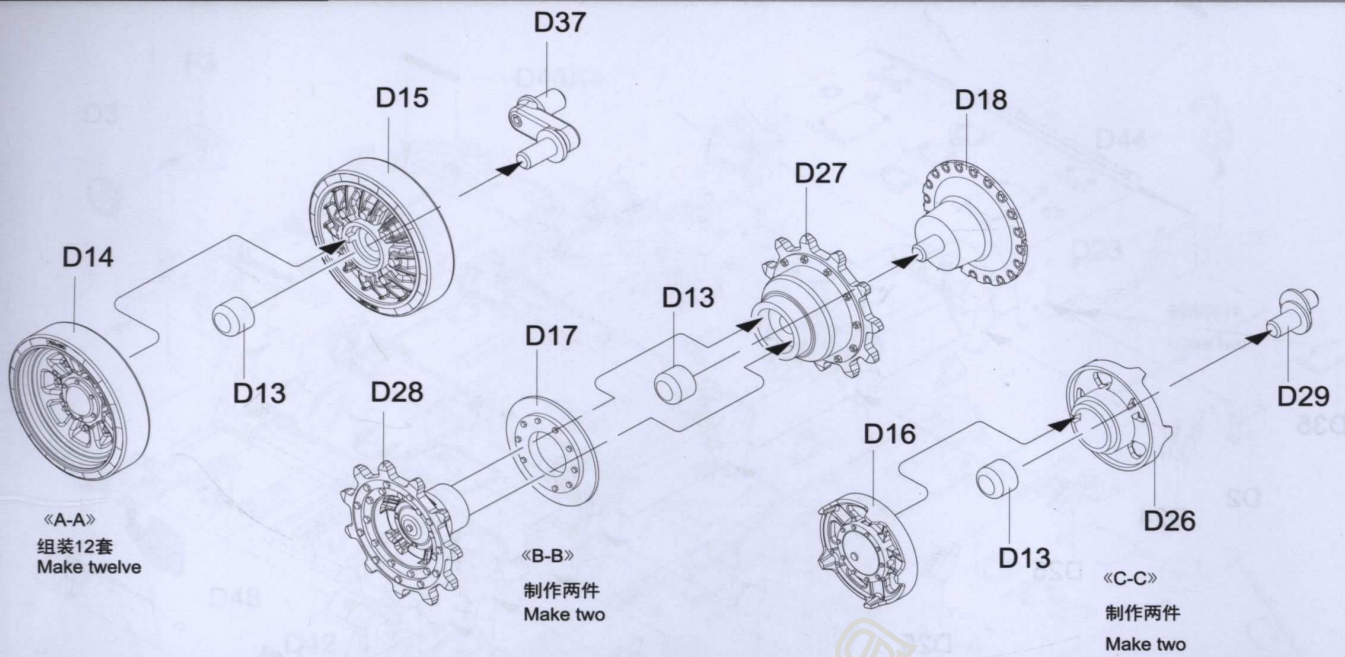
水贴  
Decal





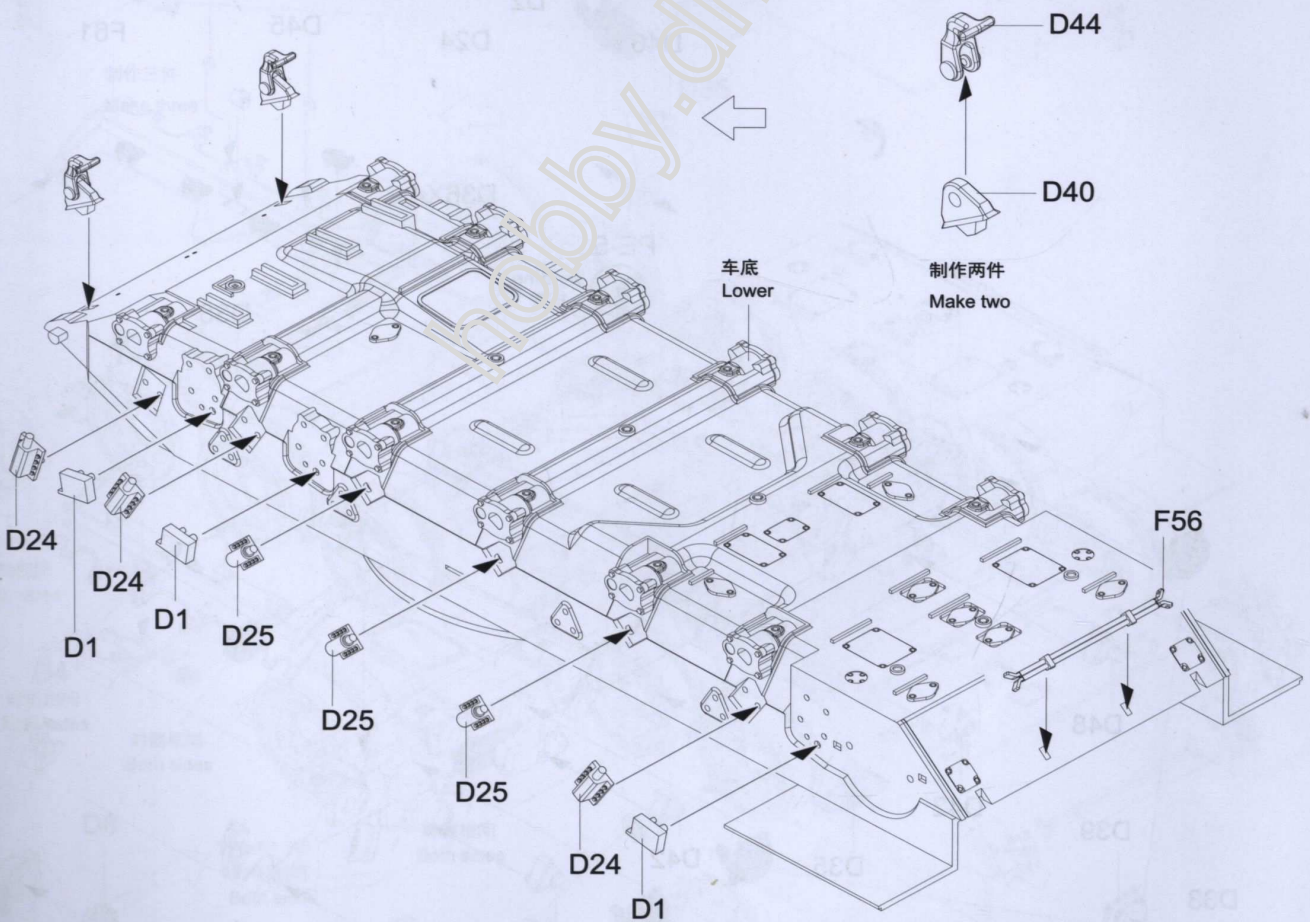
ASSEMBLY  
模型组装

1

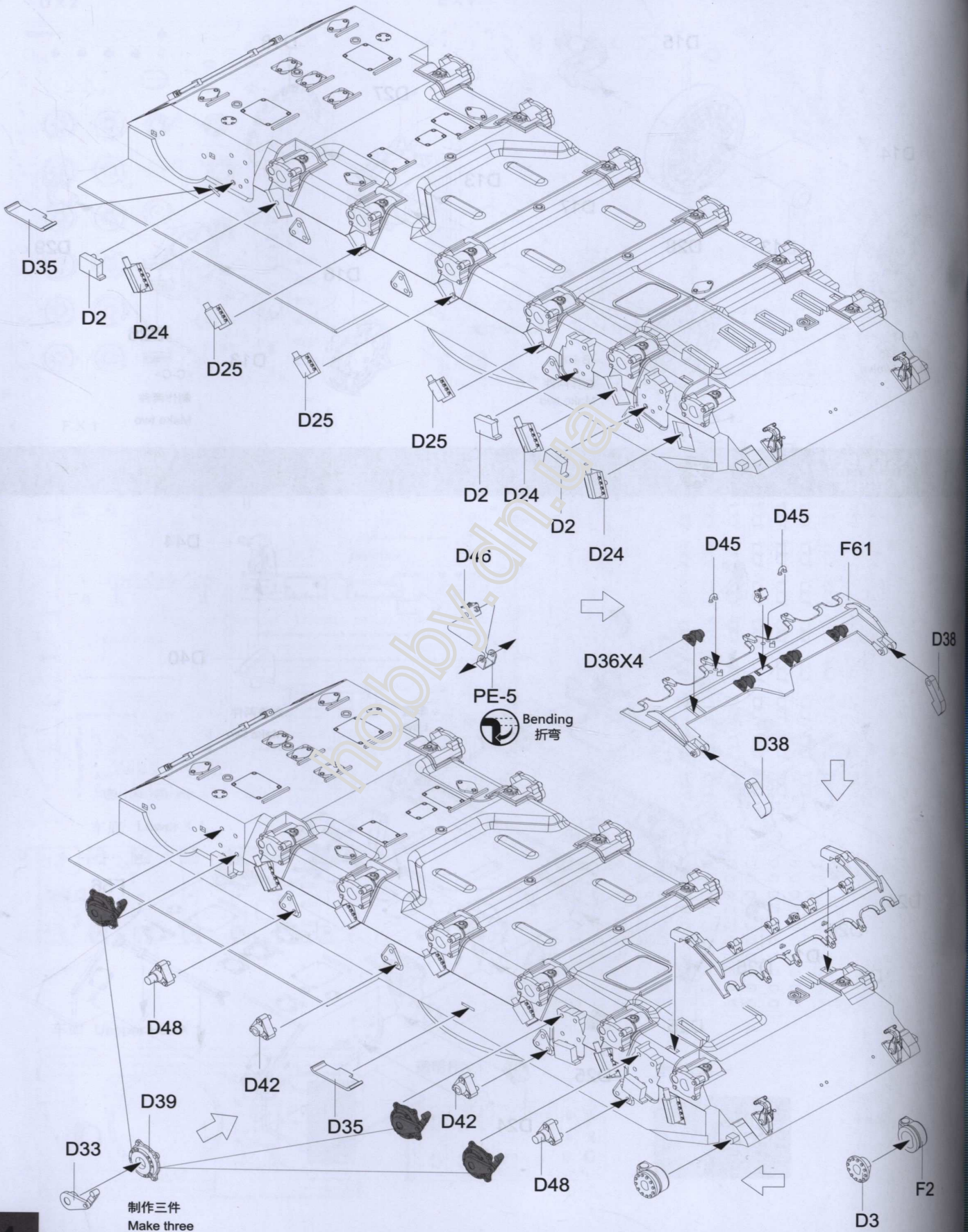


ASSEMBLY  
模型组装

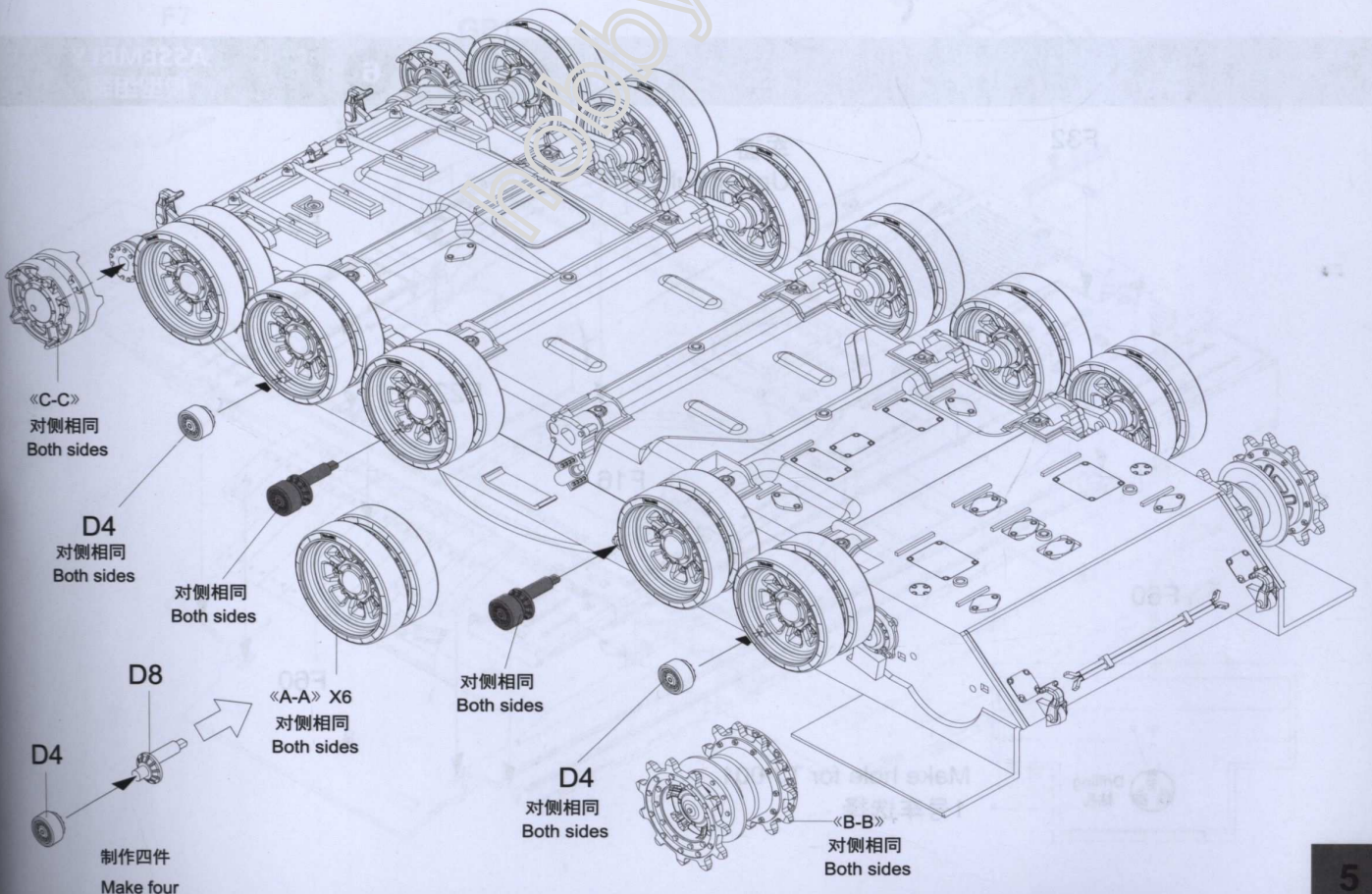
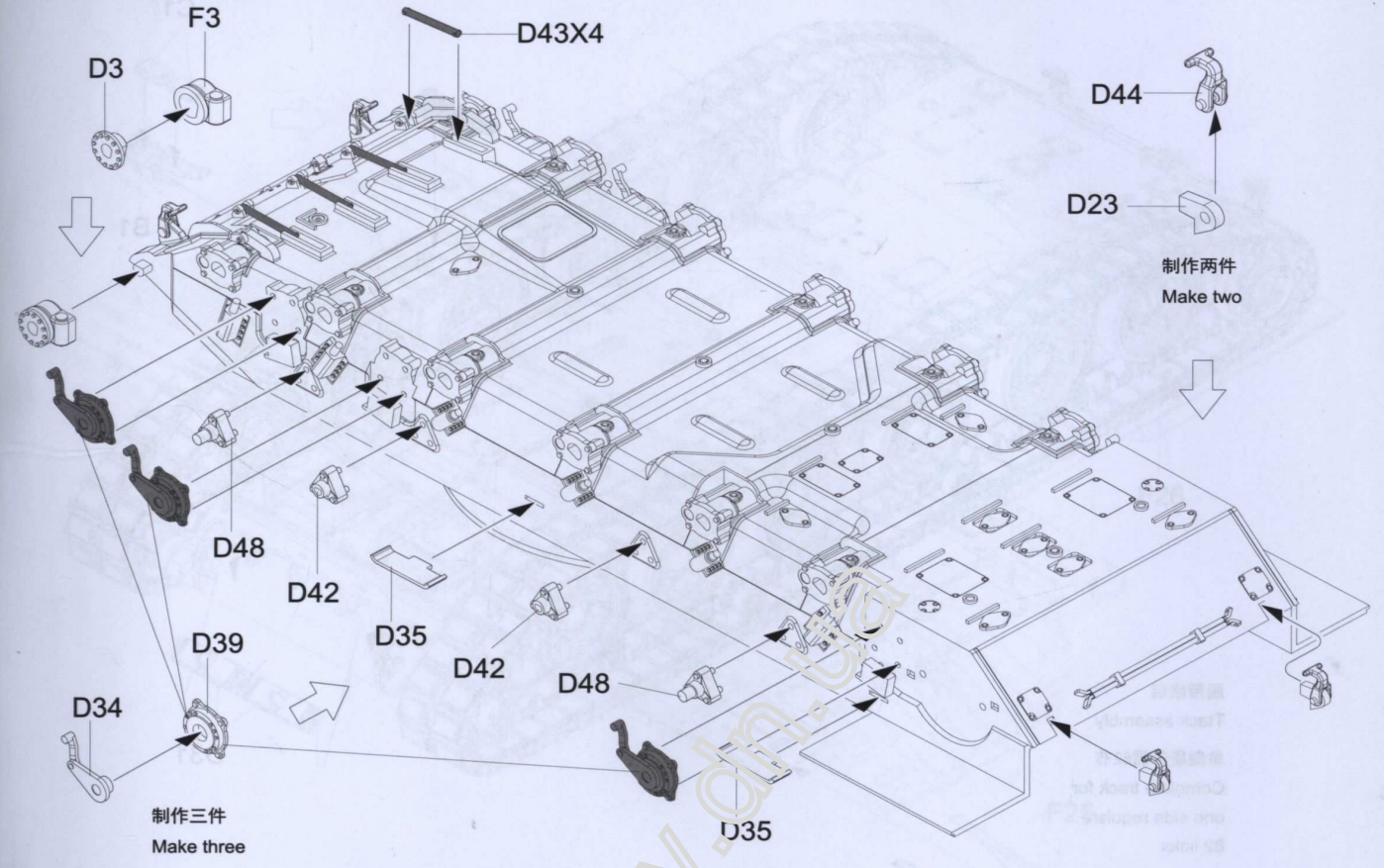
2



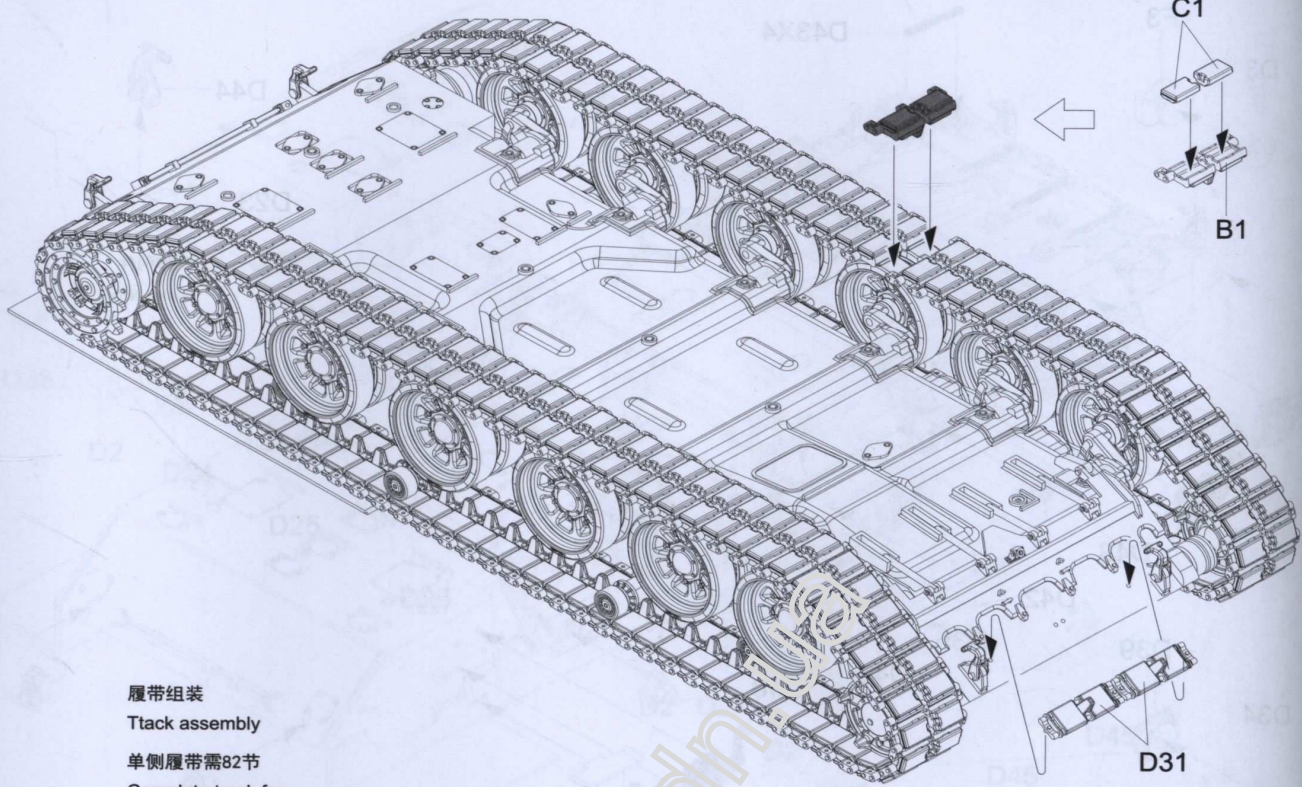




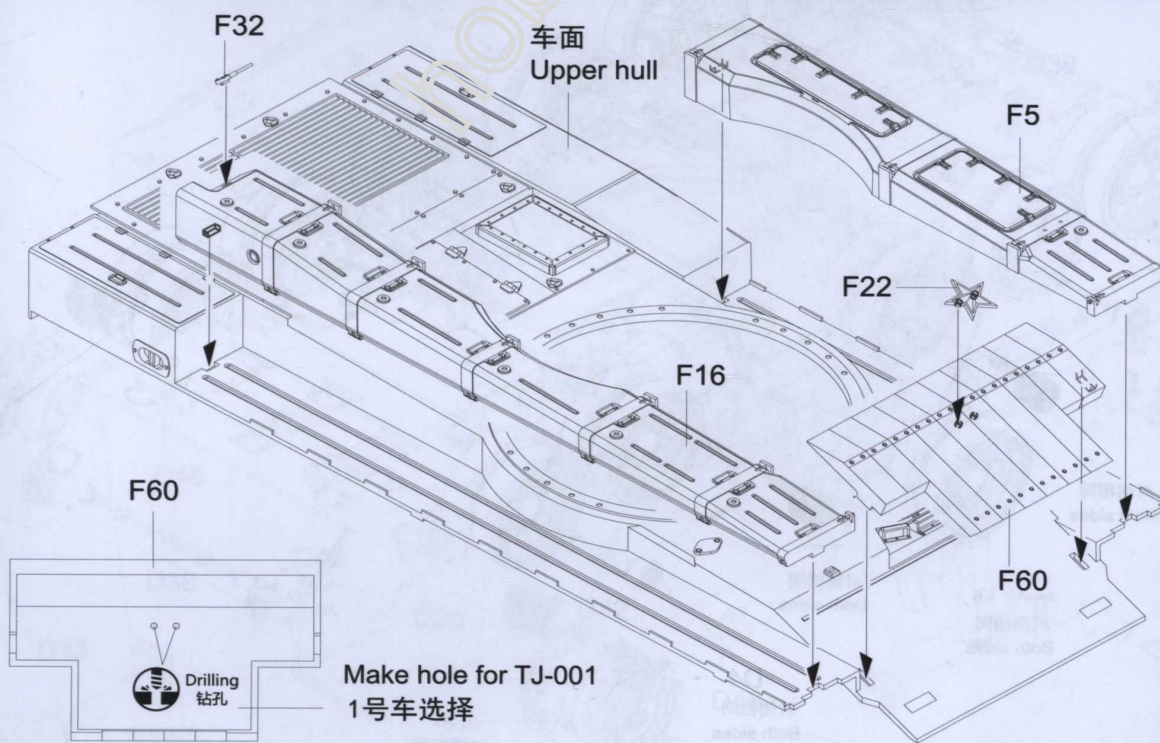






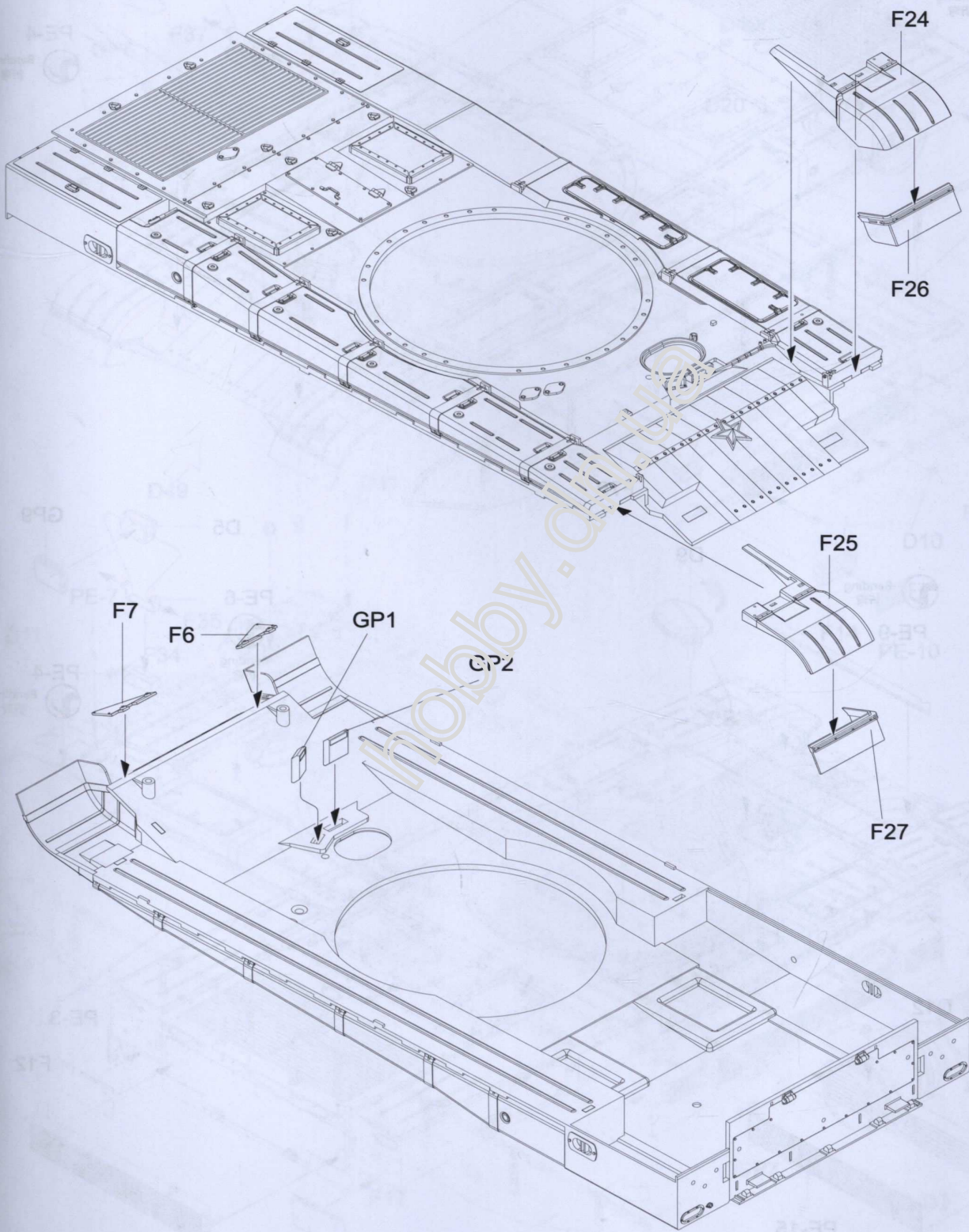


履带组装  
Track assembly  
单侧履带需82节  
Complete track for  
one side requirre  
82 links

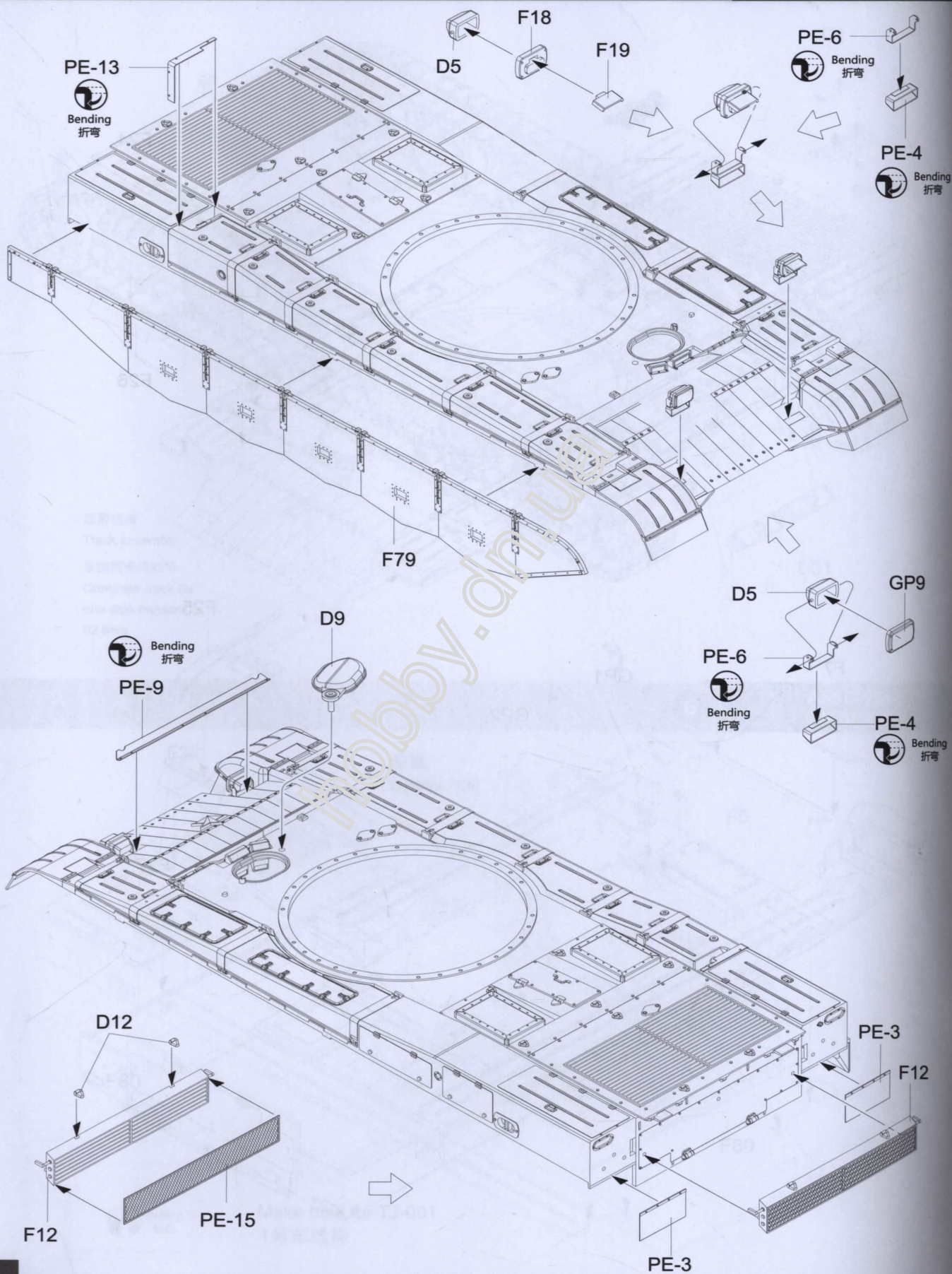


Make hole for TJ-001  
1号车选择

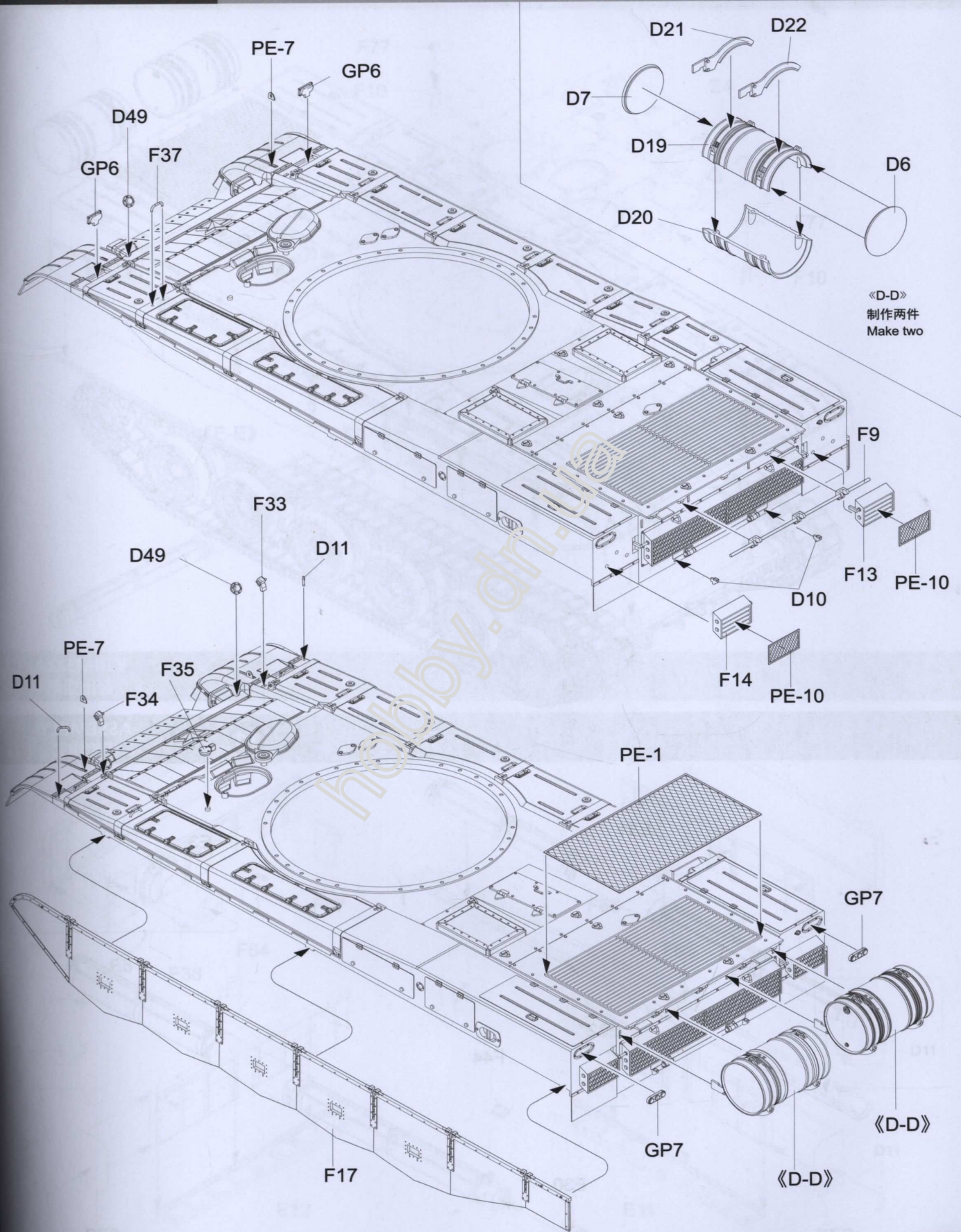




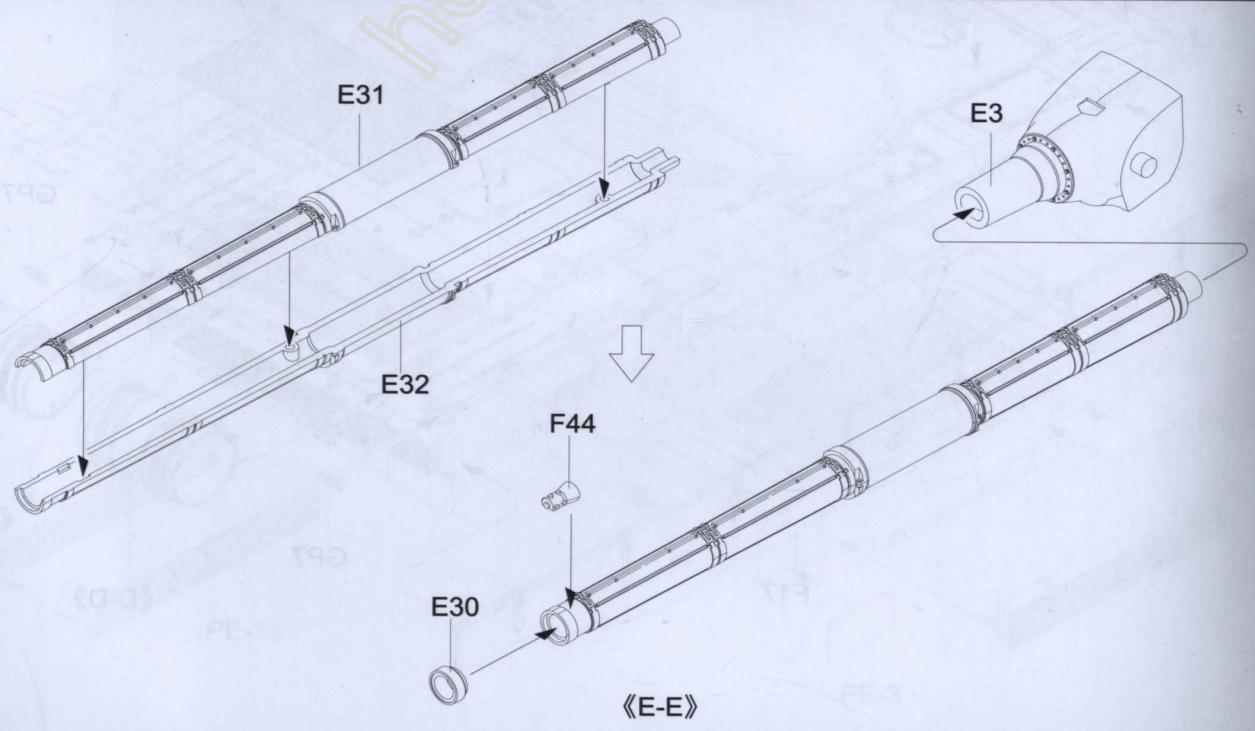
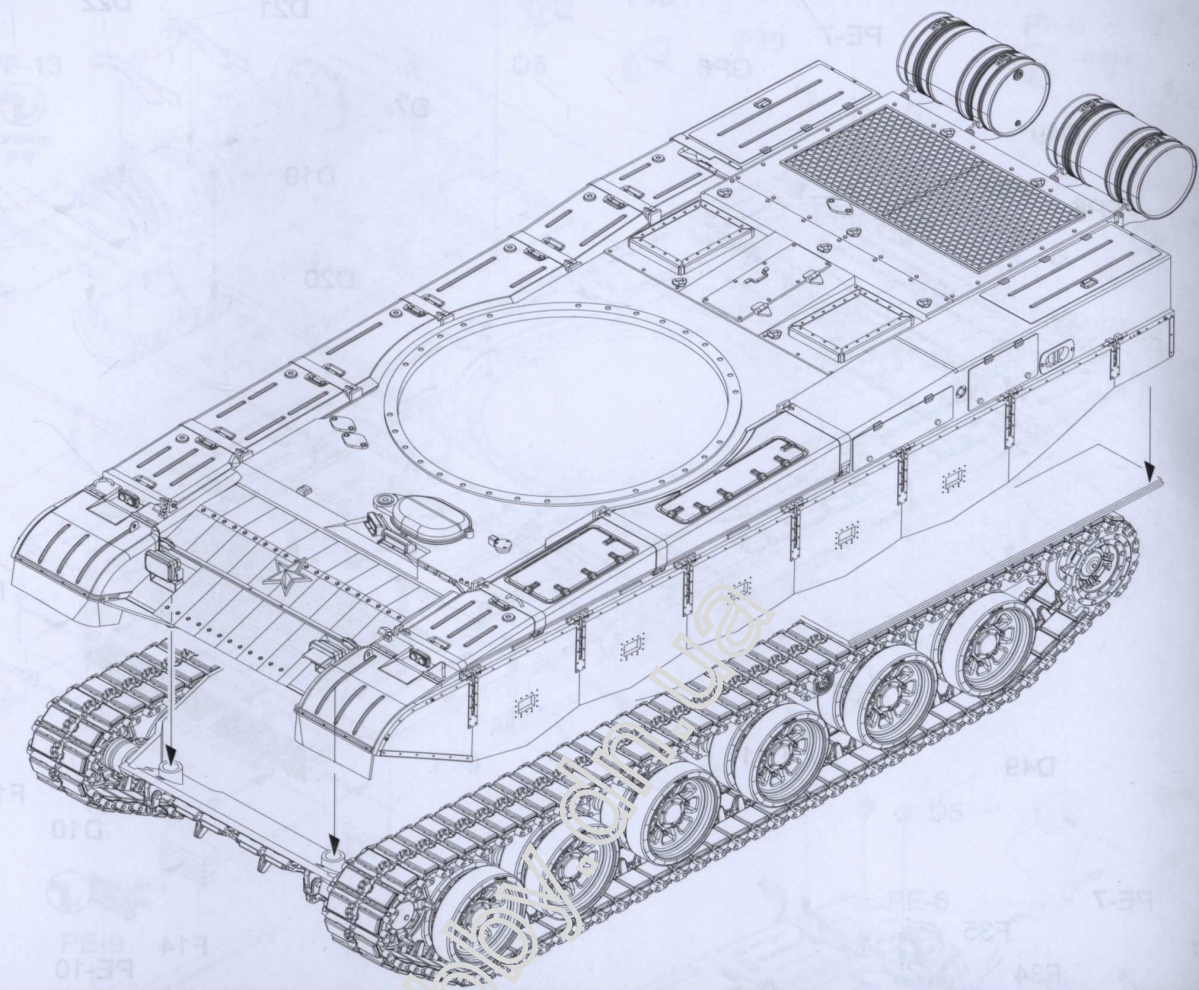




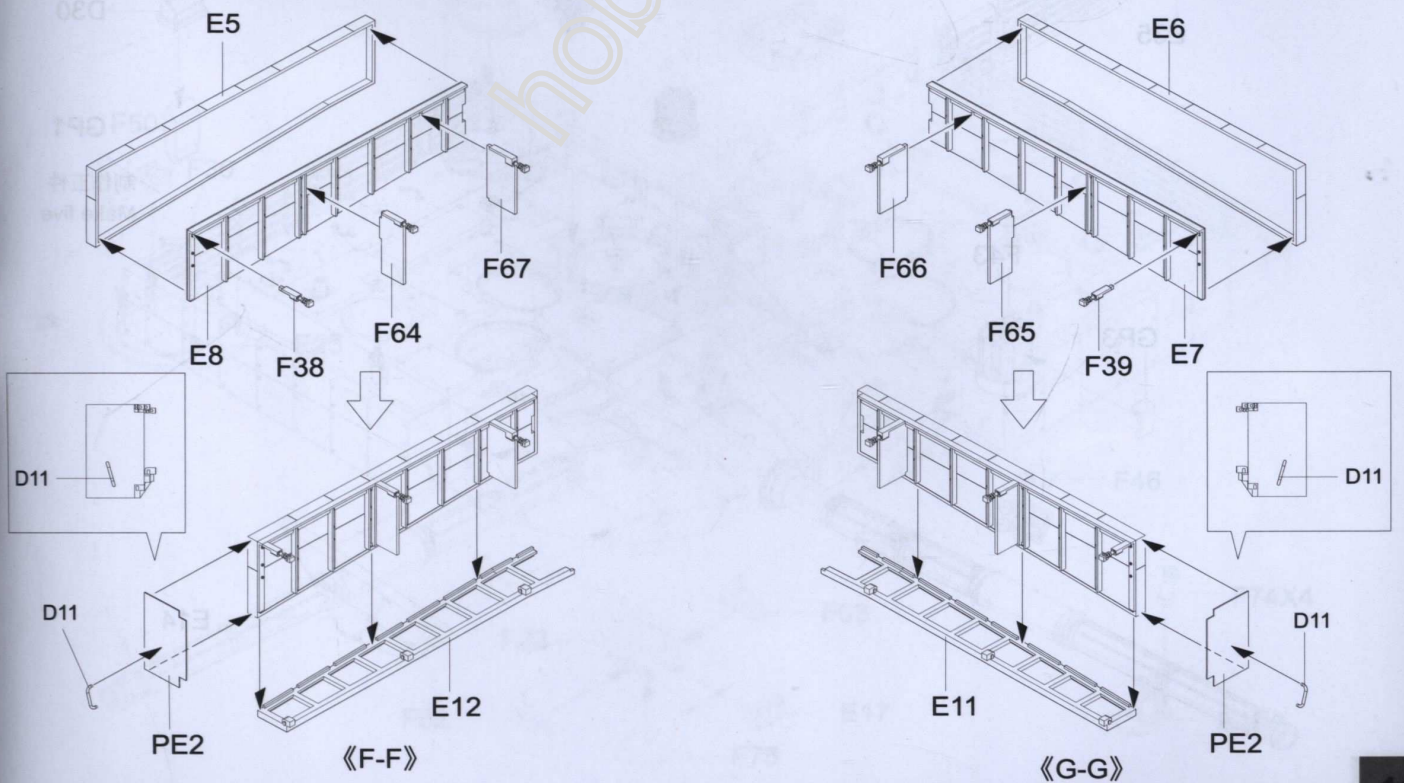
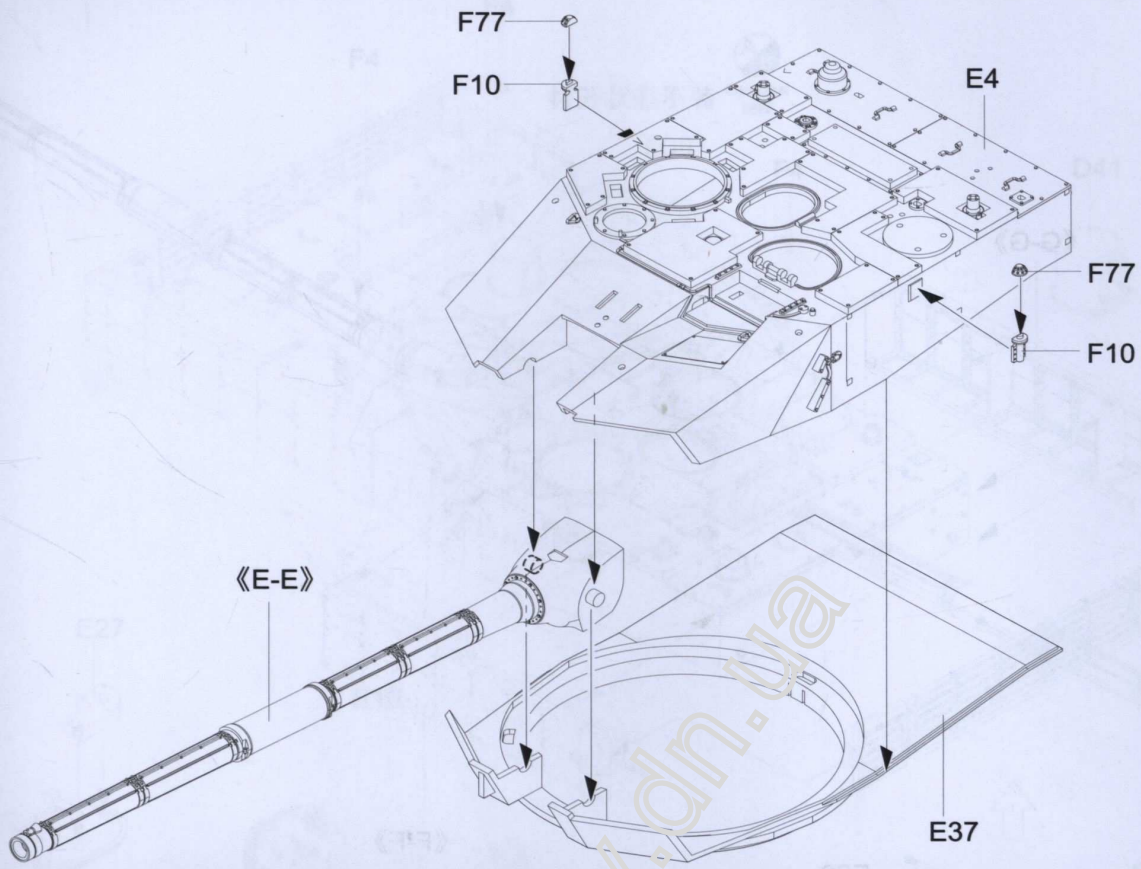




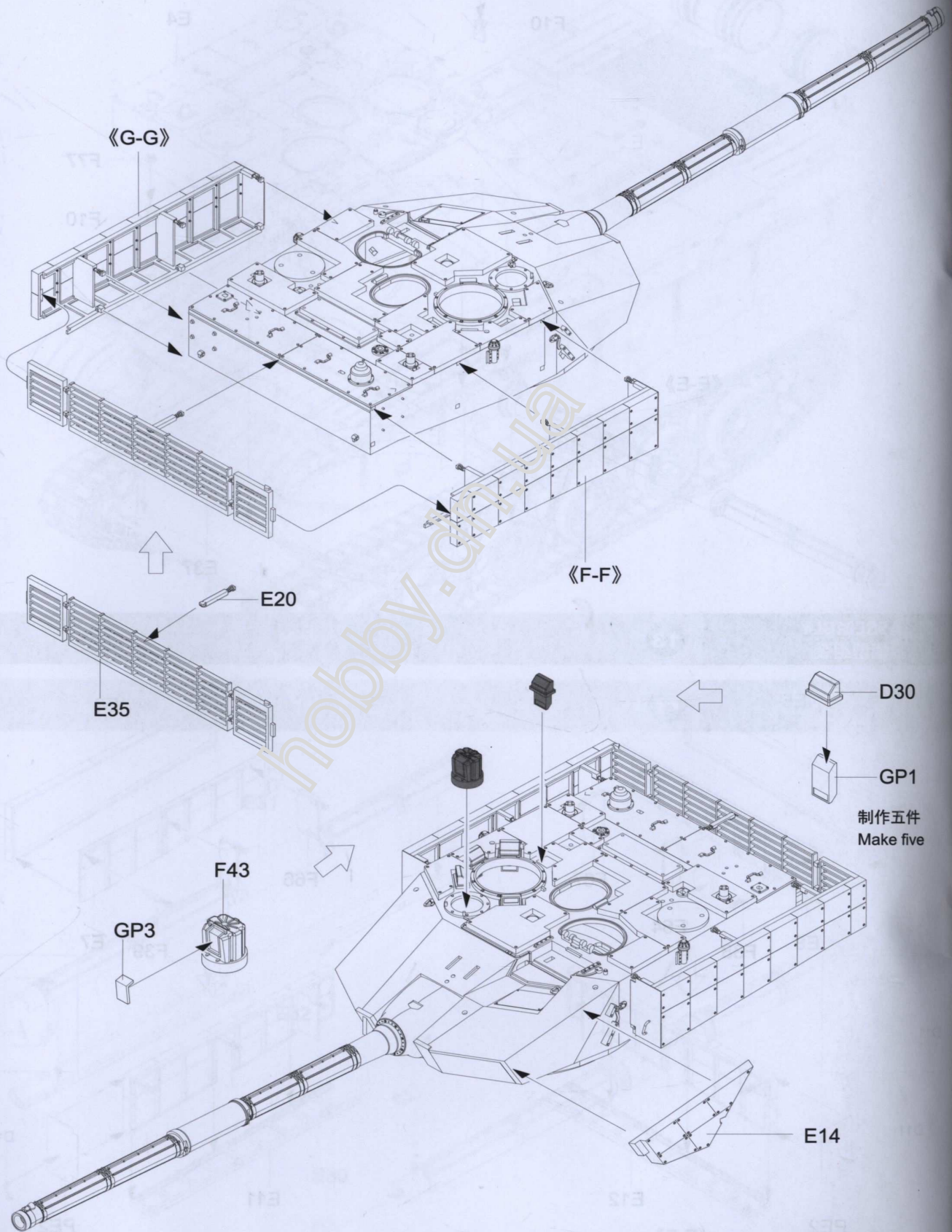




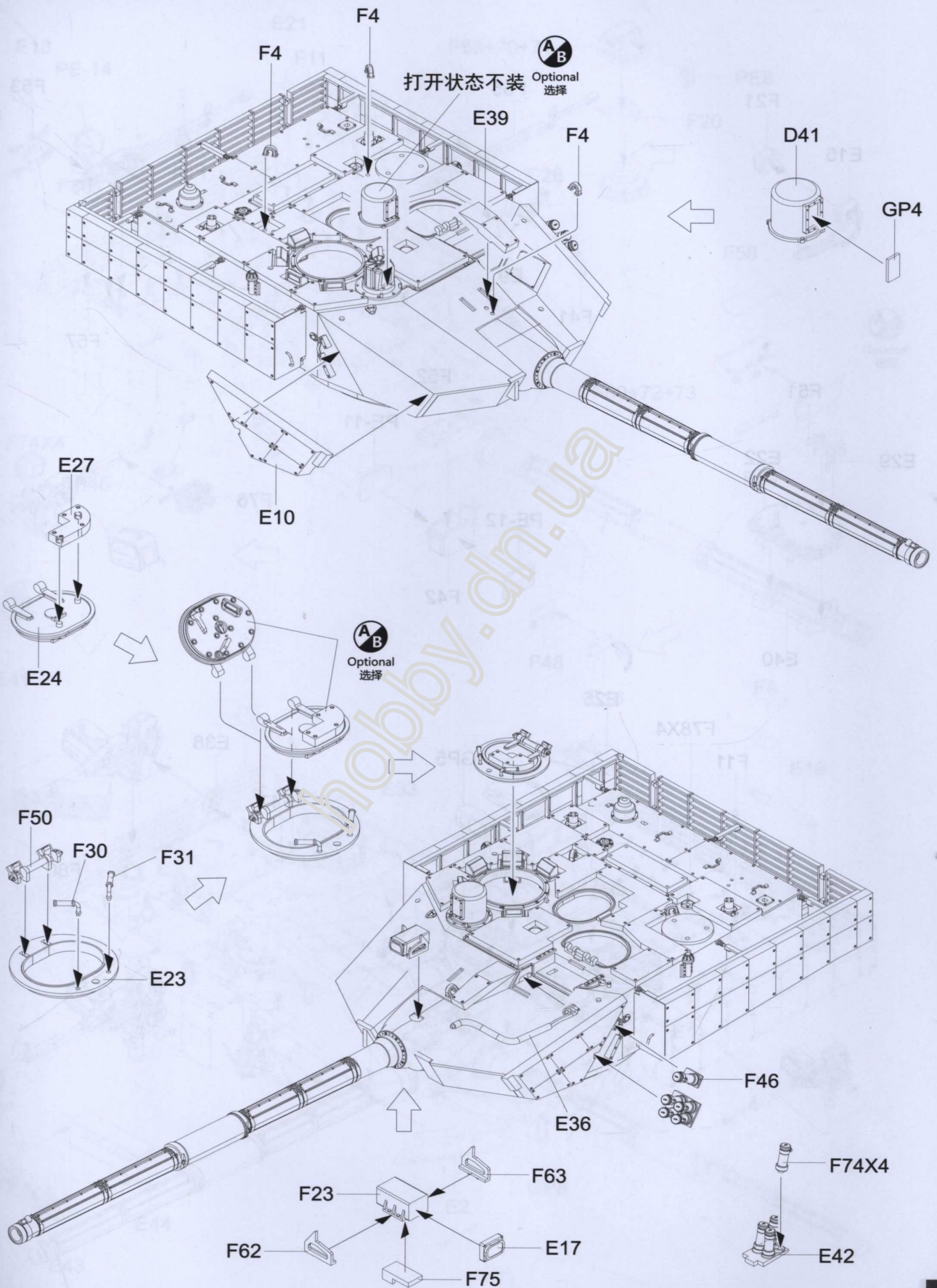




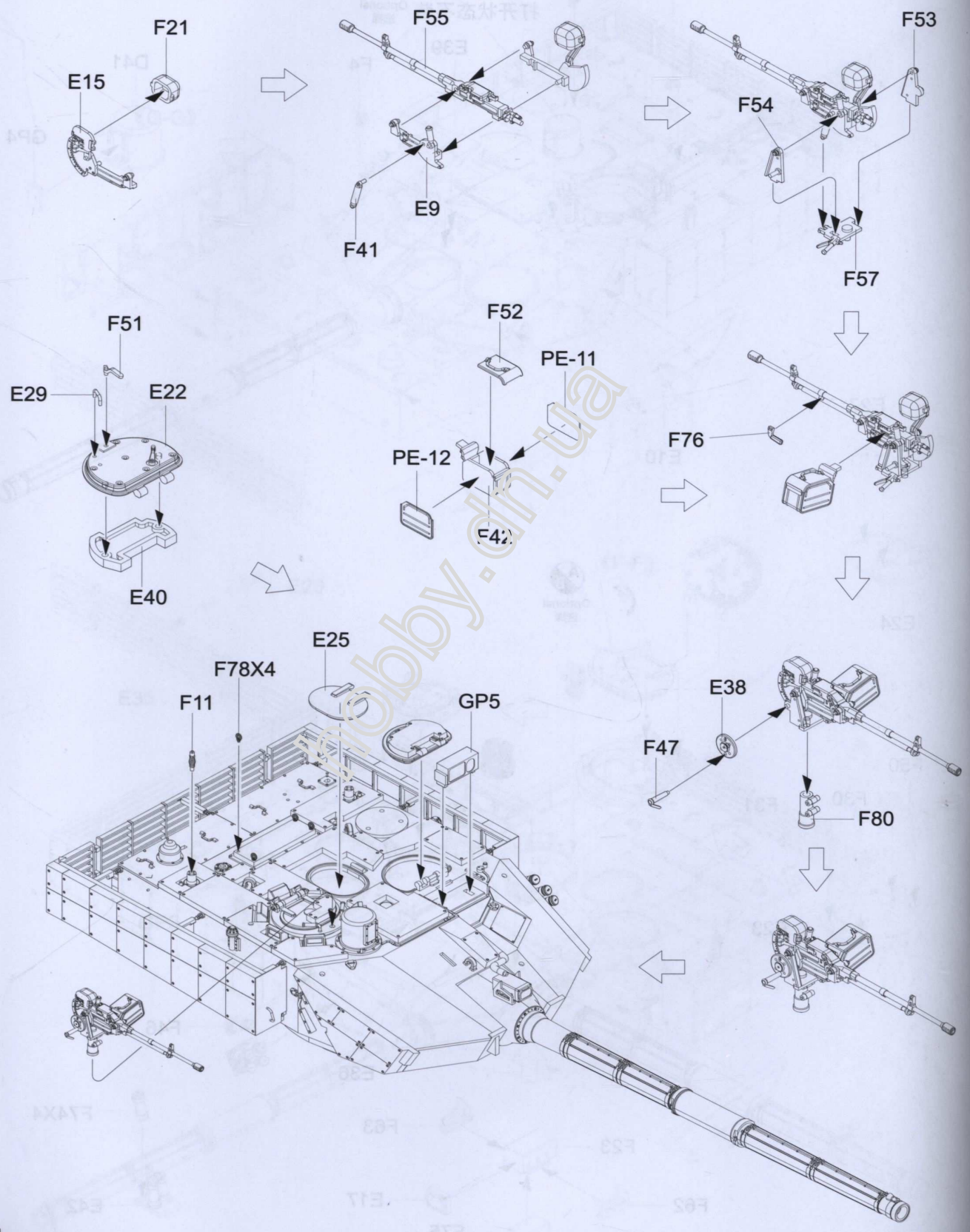




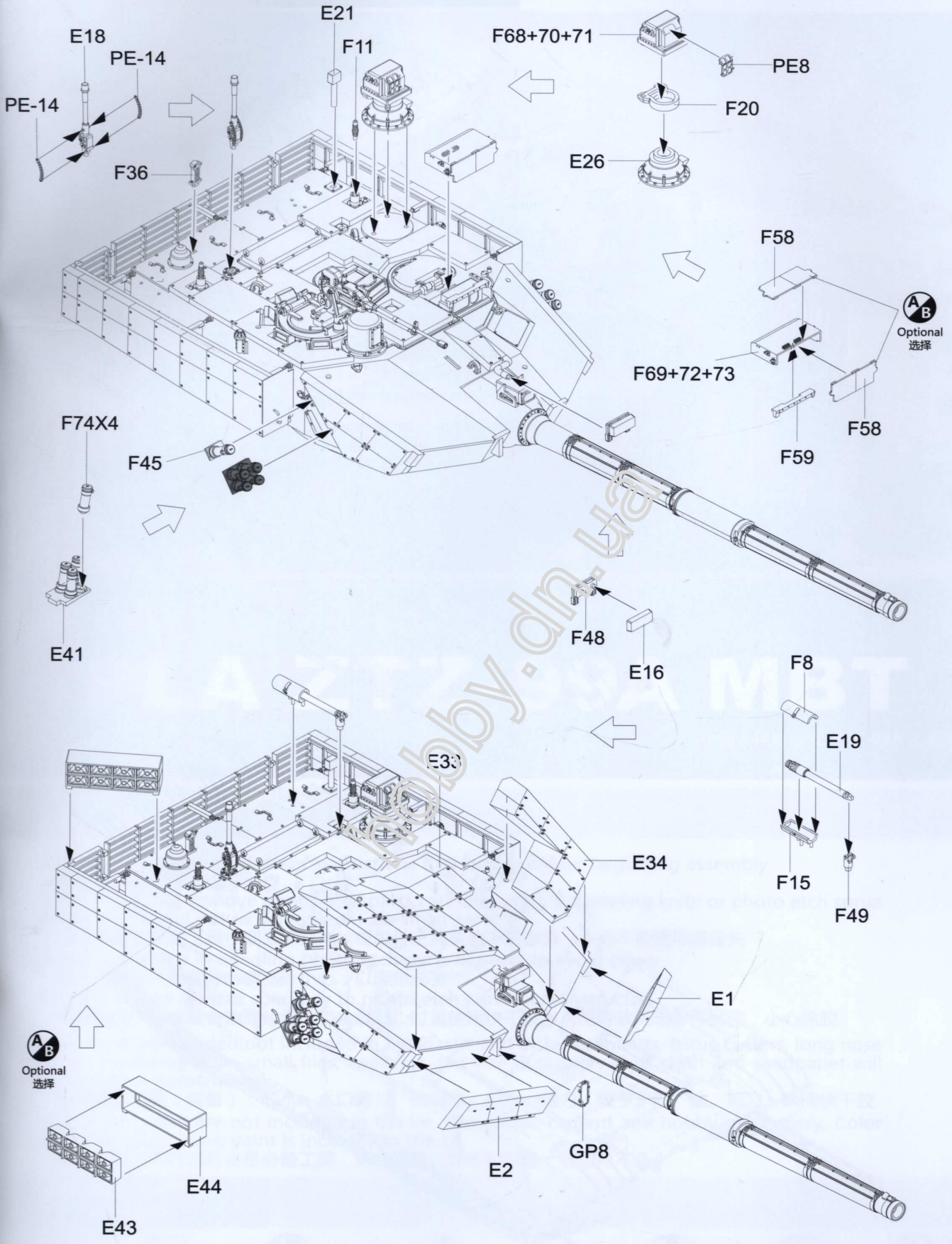




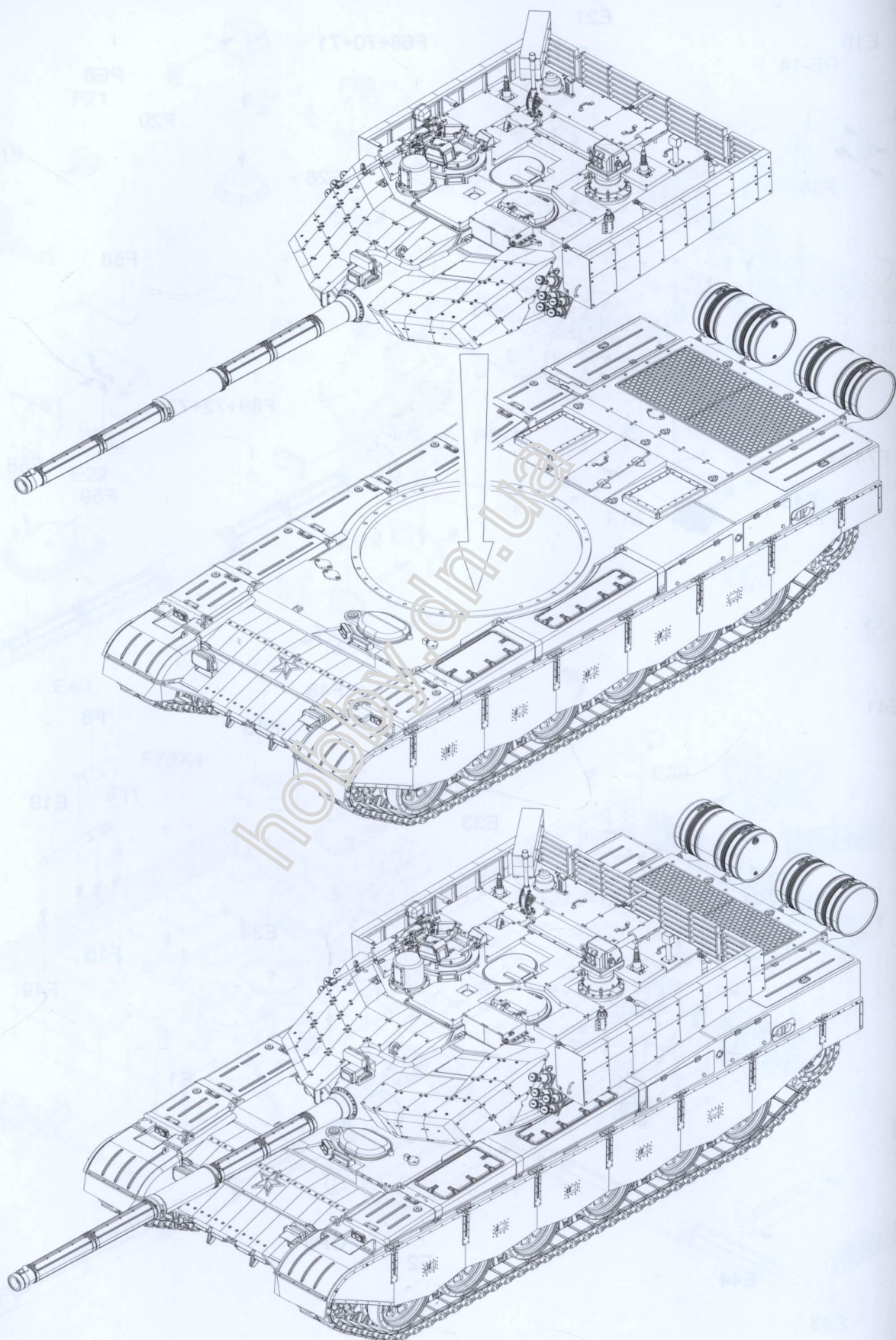














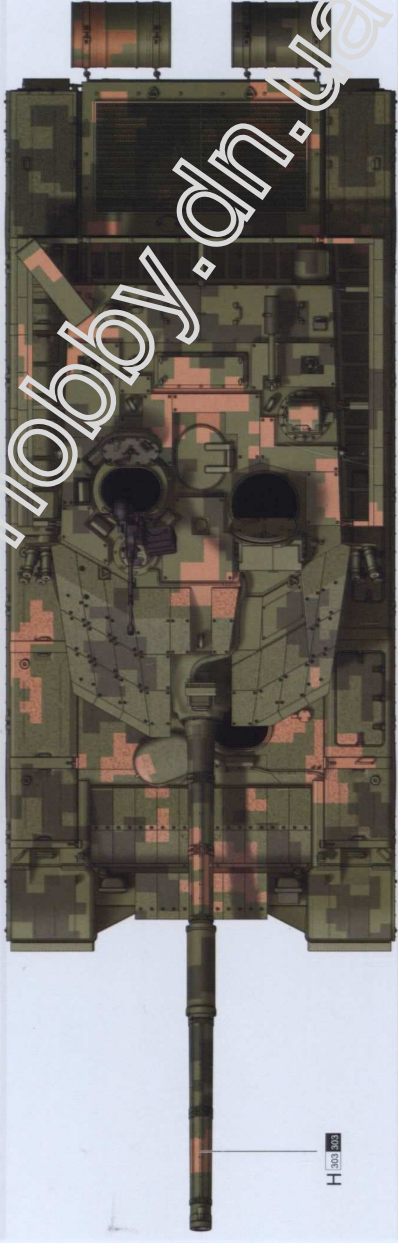
# PLA ZTZ-99A MBT

1/35 SCALE

PH 35018

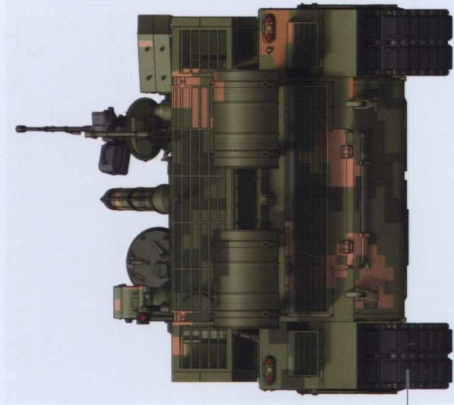


70  
1945-2015



## Painting & marking Guide

塗裝與水貼



2015 COPYRIGHT PANDA HOBBY. ALL RIGHTS RESERVED.

GUNZE SANGYO Mr. color used