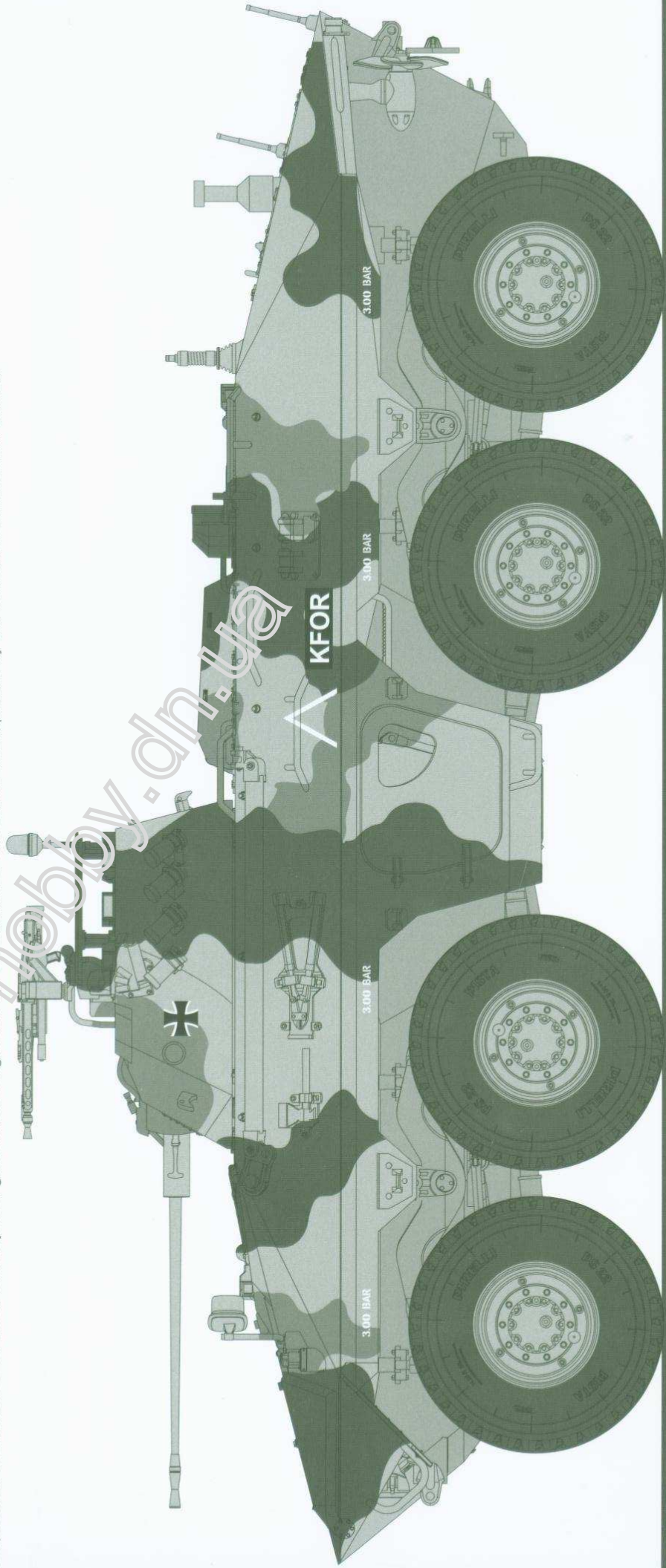


SPZ 2 LUCHS A1/A2

The Spähpanzer Luchs (English: Lynx) is a German 8x8 amphibious reconnaissance armoured fighting vehicle (Spähpanzer) in service since 1975 with the German Army, who used 408 in their armoured reconnaissance battalions. It was developed by Daimler-Benz between 1968 and 1975, replacing the M41 and the Schützenpanzer SPz 11-2 Kurz.

The all-wheel drive Luchs made by Thyssen-Henschel (now: Rheinmetall) is well armoured, has an NBC protection system and is characterized by its low-noise running. The eight large low-pressure tyres have run-flat properties. At speeds up to about 50 km/h, all four axles can be steered. As a special feature, the vehicle is equipped with a rear-facing driver with his own driving position. Up to the first combat effectiveness upgrade in 1986, the Luchs was fully amphibious and could surmount water obstacles quickly and independently using propellers at the rear and the fold back trim vane at the front.

The 20 mm Rheinmetall MK 20 Rh 202 gun in the turret is similar to the one in the Marder IFV. The upgrade to the Luchs A1 starting in 1986 included the incorporation of a thermal observation and gunnery system, which replaced the original infrared/white light night vision system mounted to the left of the turret. VHF radios have been the German SEM 25 / SEM 35 FM short range radios from LORENZ. HF long-range radio was the AN/GRC 9 with the LV 80 100 Watts RF amplifier for Morse Code. This was replaced by the XK 405 100 Watts SSB HF radio made by Rohde&Schwarz in Germany and the incorporation of the new SEM 80/90 radio system gave it the designation SPz 2 Luchs A2. The Luchs was replaced by the Fennek in Bundeswehr service.



Special thanks to Mr. Ernst Beck for his help to this project.

hobbytron.ua

READ BEFORE ASSEMBLY

CAUTION

- Read carefully and fully understand the instructions before commencing assembly. A supervising adult should also read the instructions if a child assembles the model.
- When assembling this kit, tools including knives used. Extra care should be taken to avoid personal injury.
- Keep out of reach of small children. Children must not be allowed to suck any part, or pull vinyl bag over their heads.

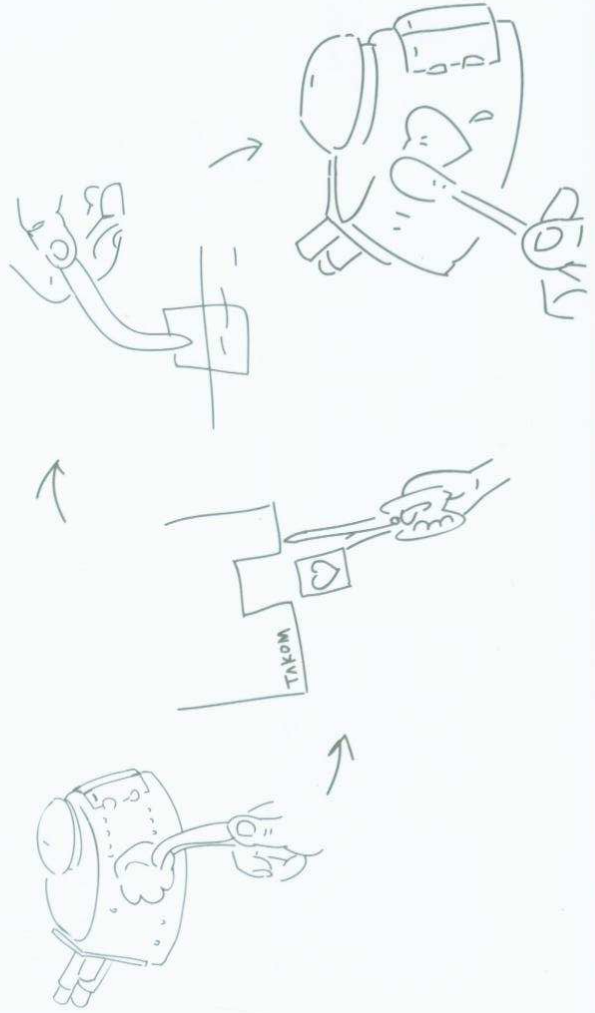


- Color info and profiles by Mig Jimenez

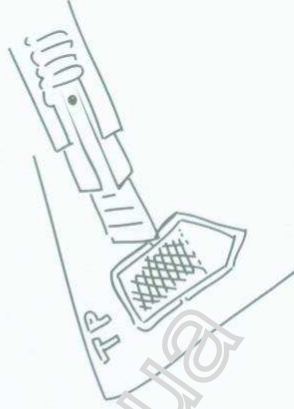
PAINTS REQUIRED

APPLYING DECALS

1. Clean the model surface with a wet cloth.
2. Cut out each decal design from sheet, and dip it in tepid water for 15~20 sec.
3. Hold the backing sheet edge and slide decal onto the model.
4. Move decal into position by wetting decal with finger.
5. Press decal gently down with a soft cloth until excess water and air bubbles are gone.



REMOVING PE



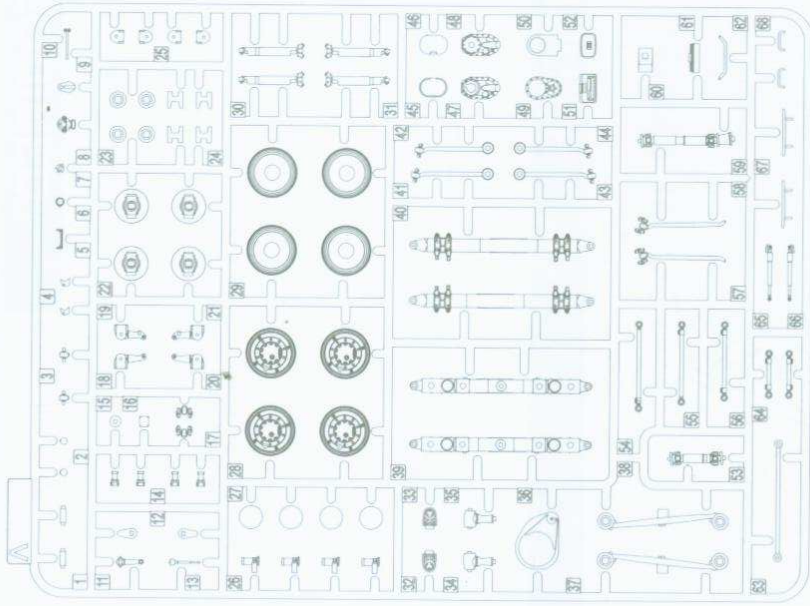
Be careful not to hurt when removing PE parts.



Finish using file.

Secure using instant glue (not included).

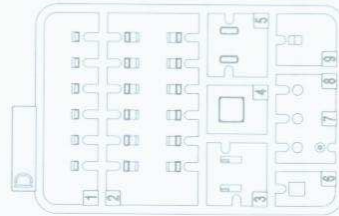
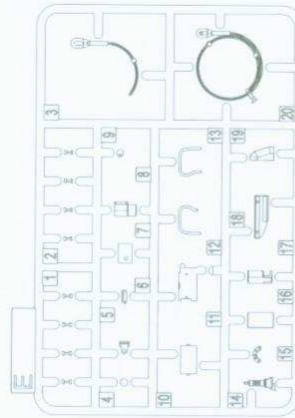
PARTS



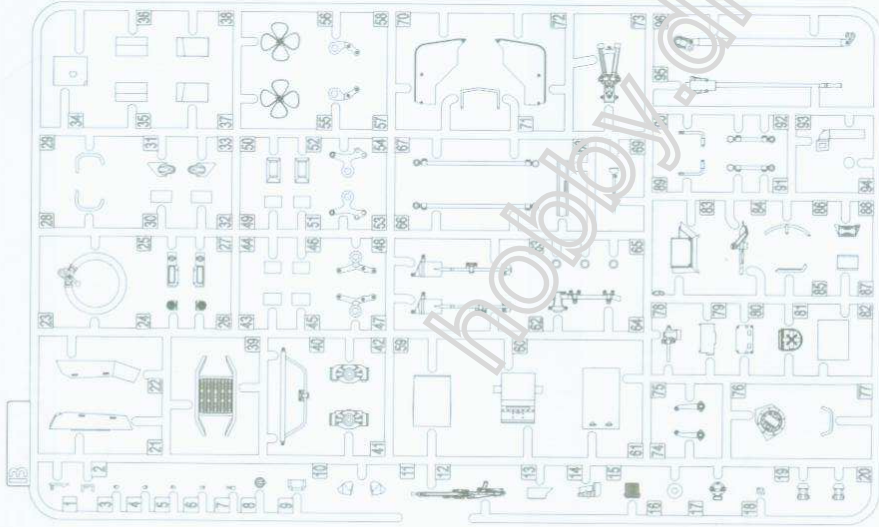
00-00095A

X2

00-00096E

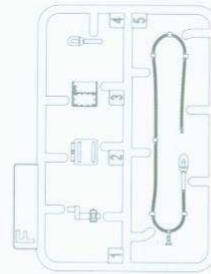


00-00097D



00-00094B

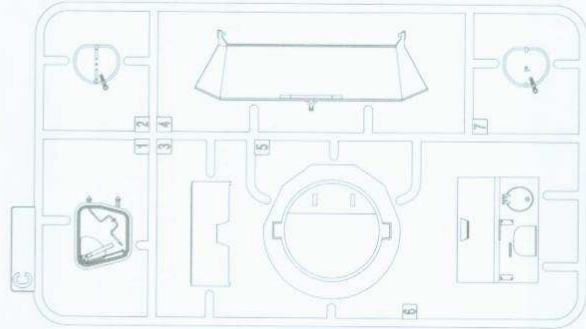
00-00096F



Spring
5.56x12.1mm(0.72)



X8



00-00097C

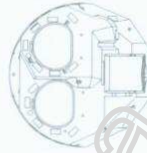
Poly cap
00-00029

X2



Rubber sheet
00-00096

X2

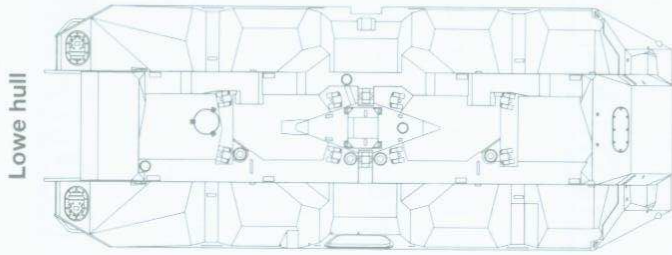


00-00097A



05-2017

PE



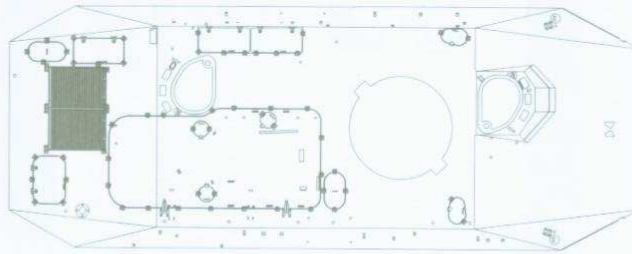
Low hull

00-00093B



00-00098A

X8



Upper hull

00-00093A



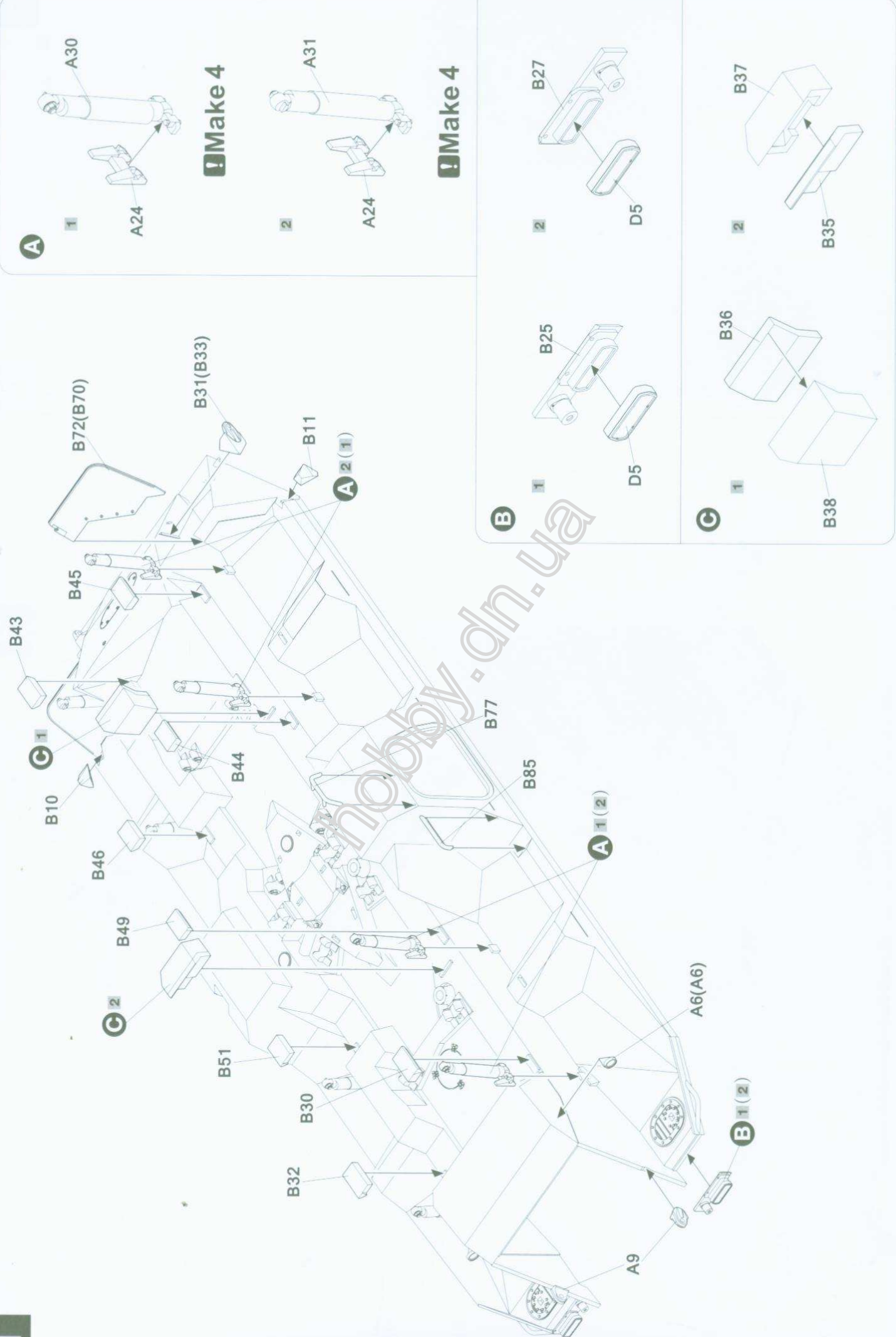
00-00098B

X8



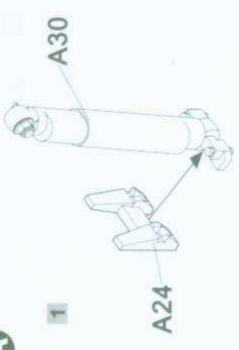
04-2017

Decal



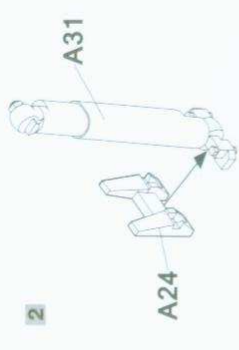
A

1



Make 4

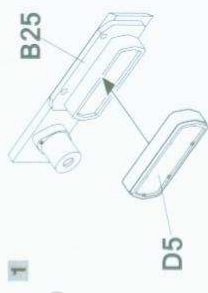
2



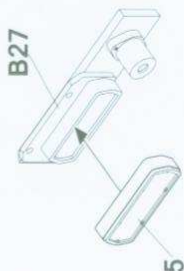
Make 4

B

1

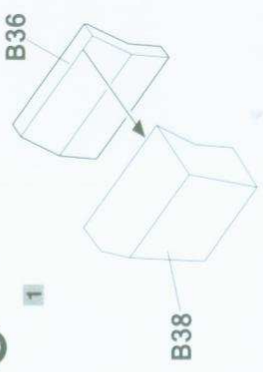


2

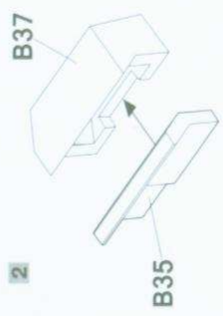


C

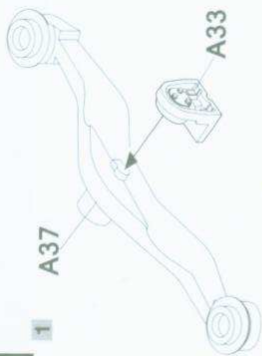
1



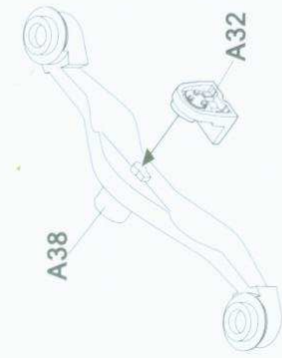
2



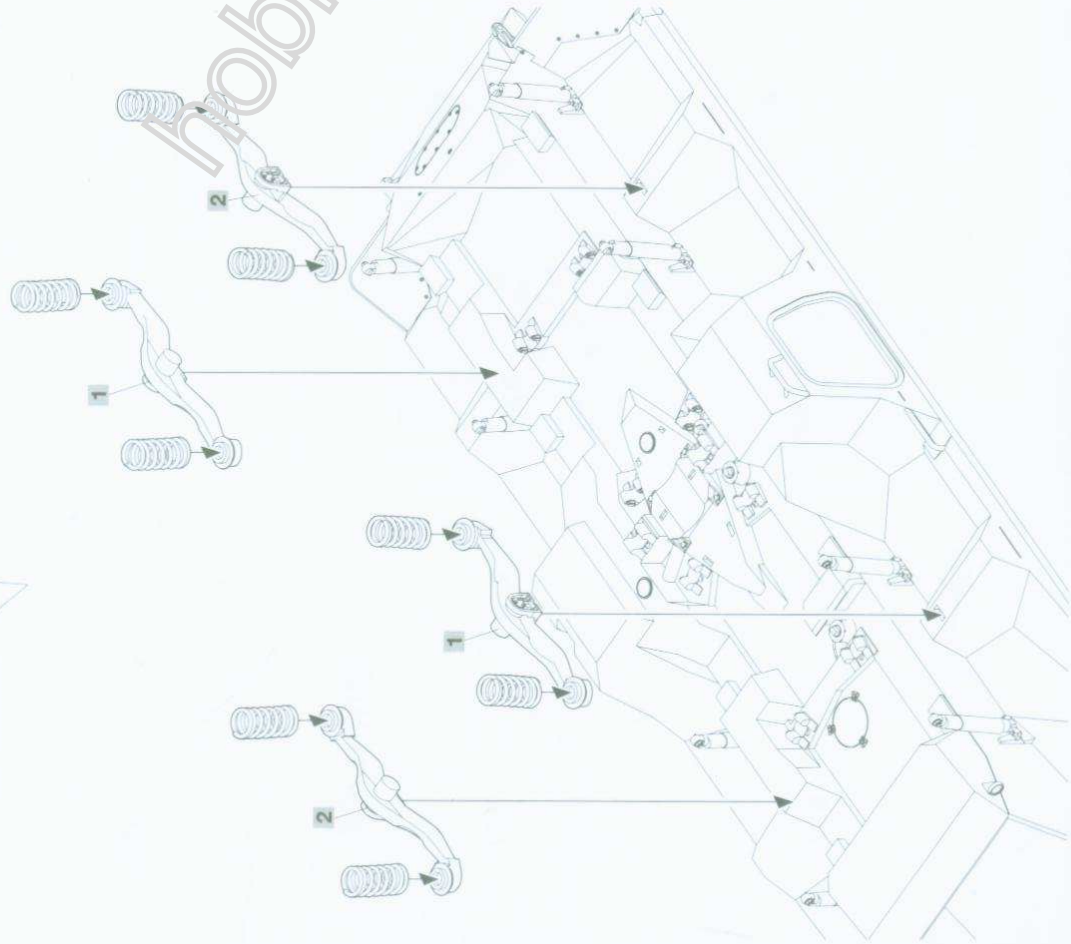
2



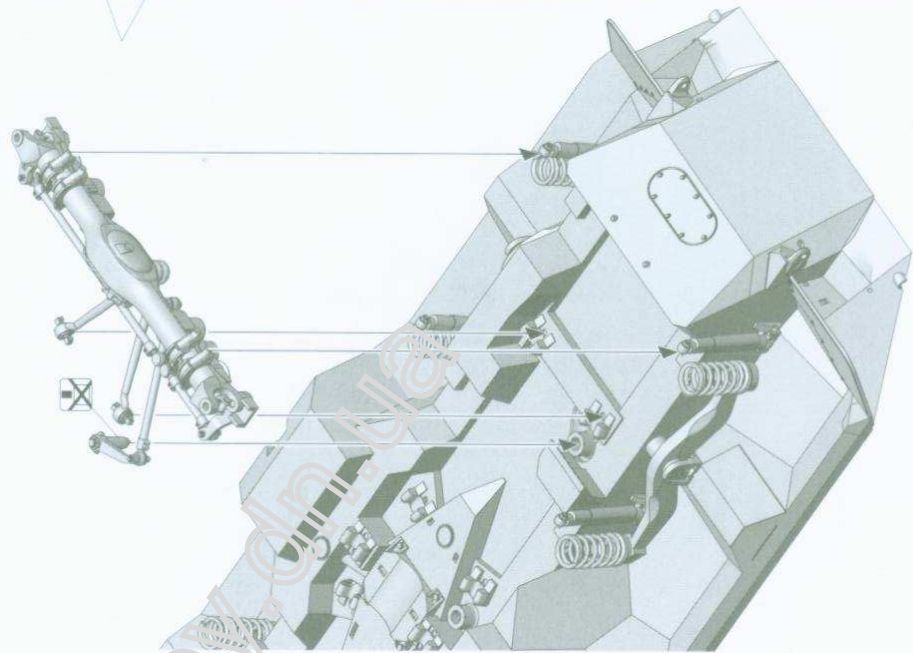
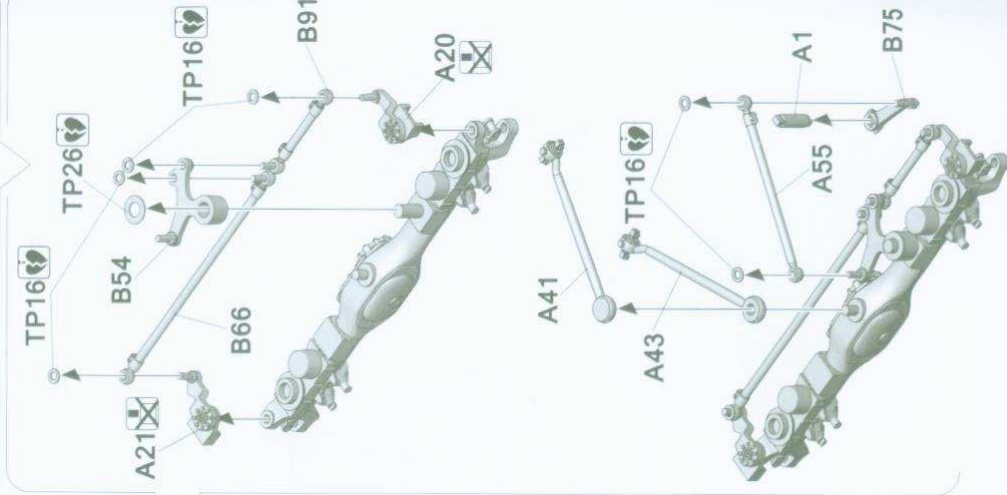
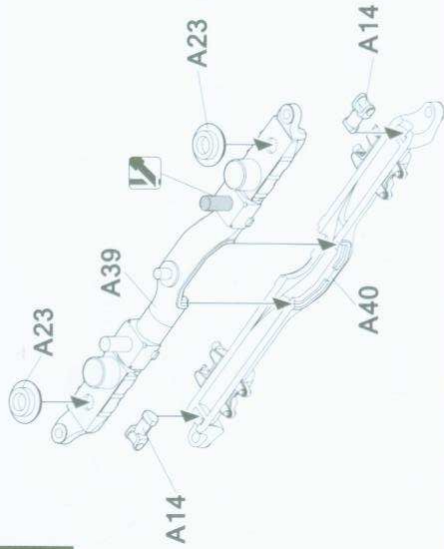
1



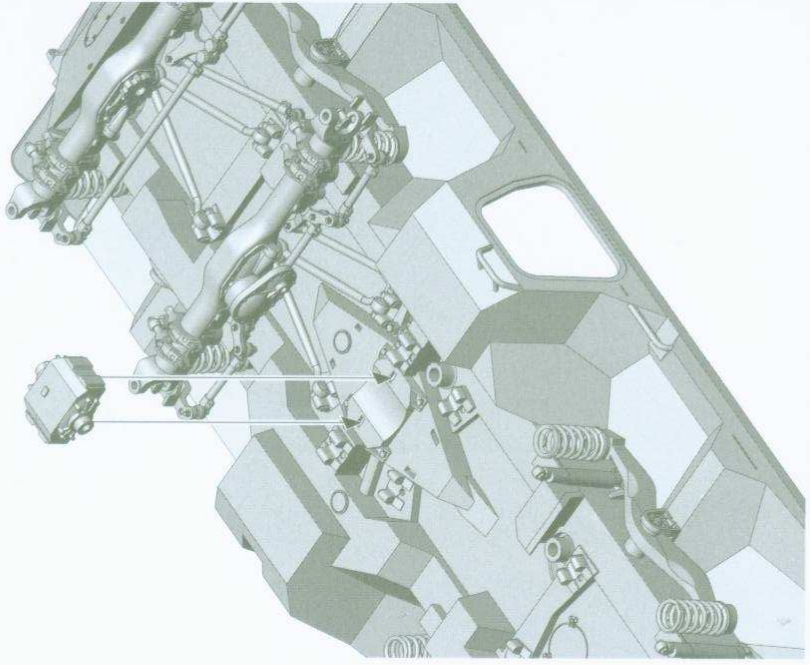
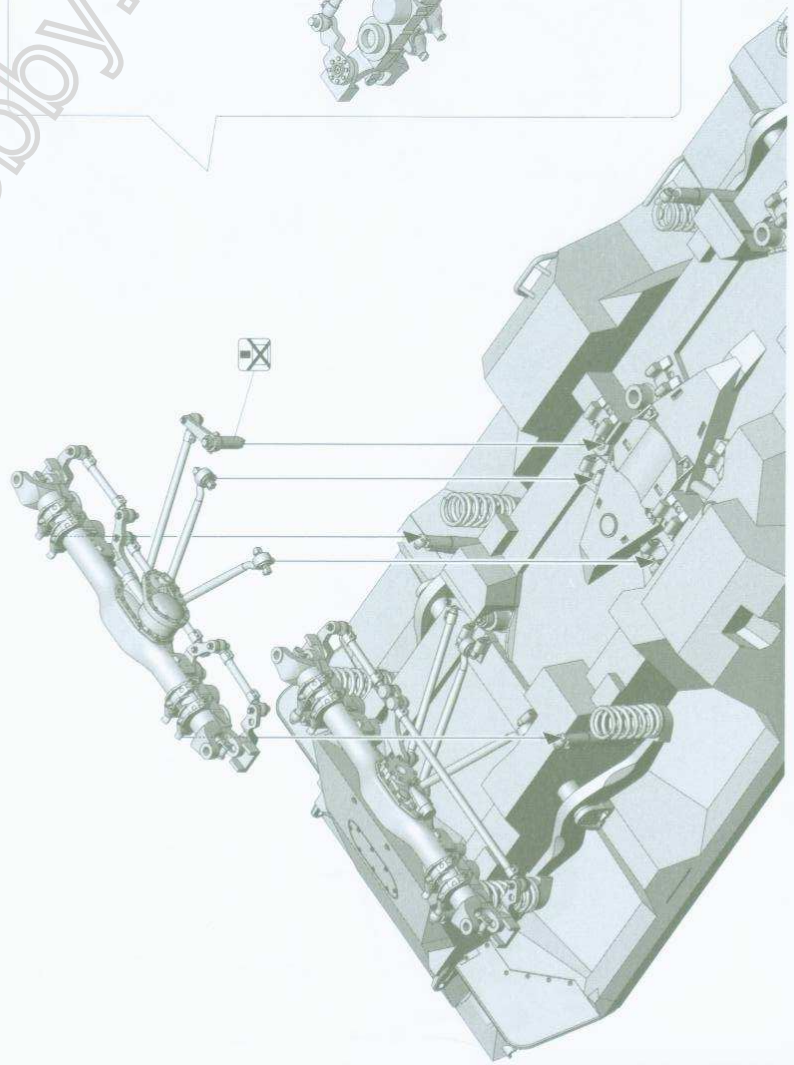
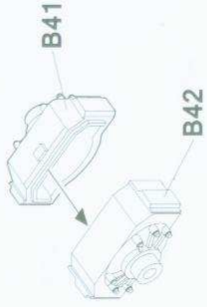
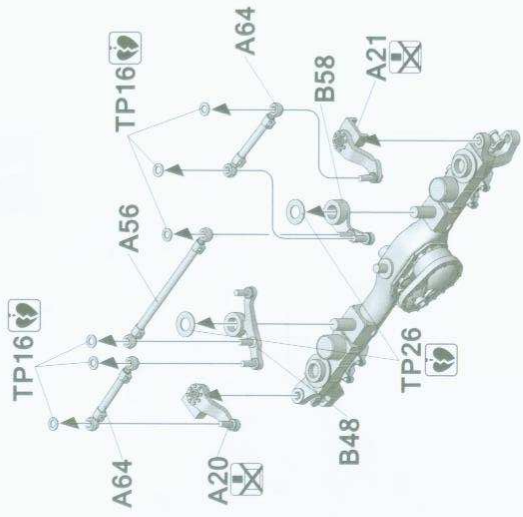
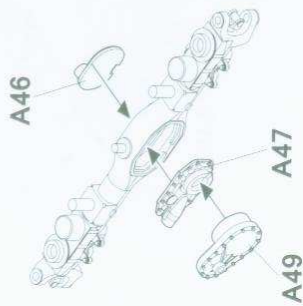
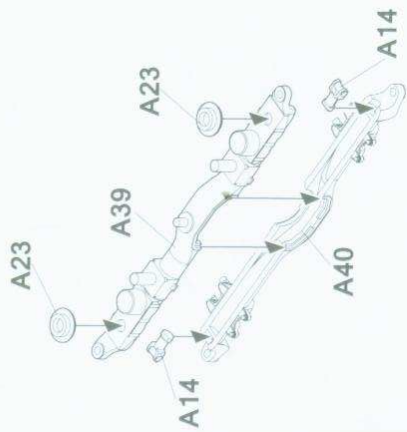
2

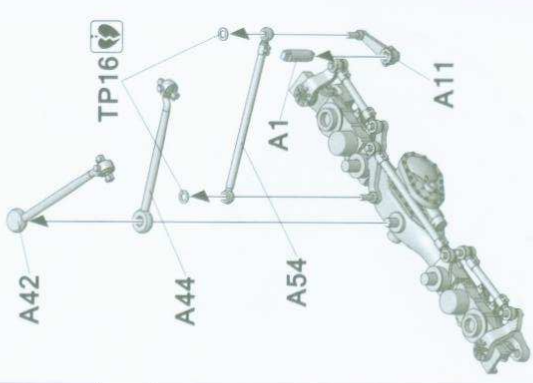
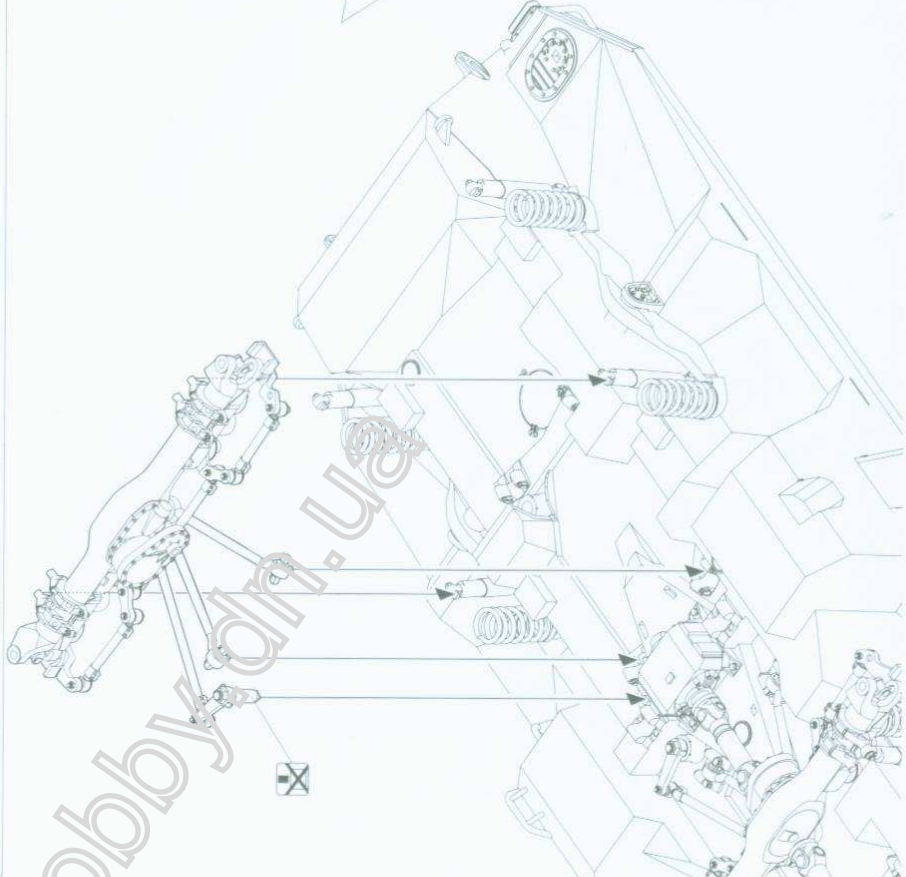
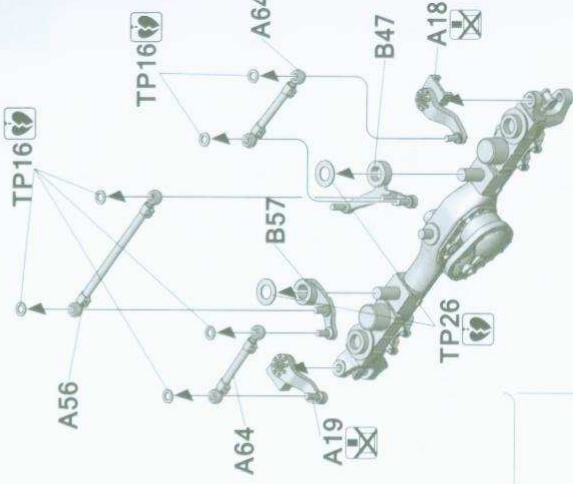
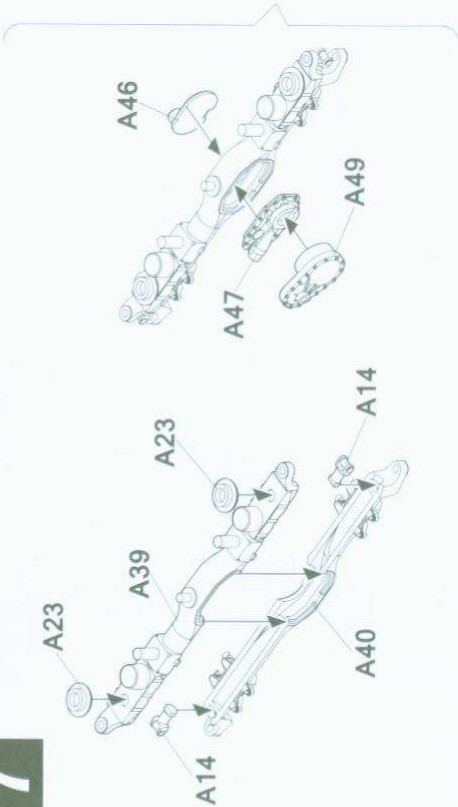
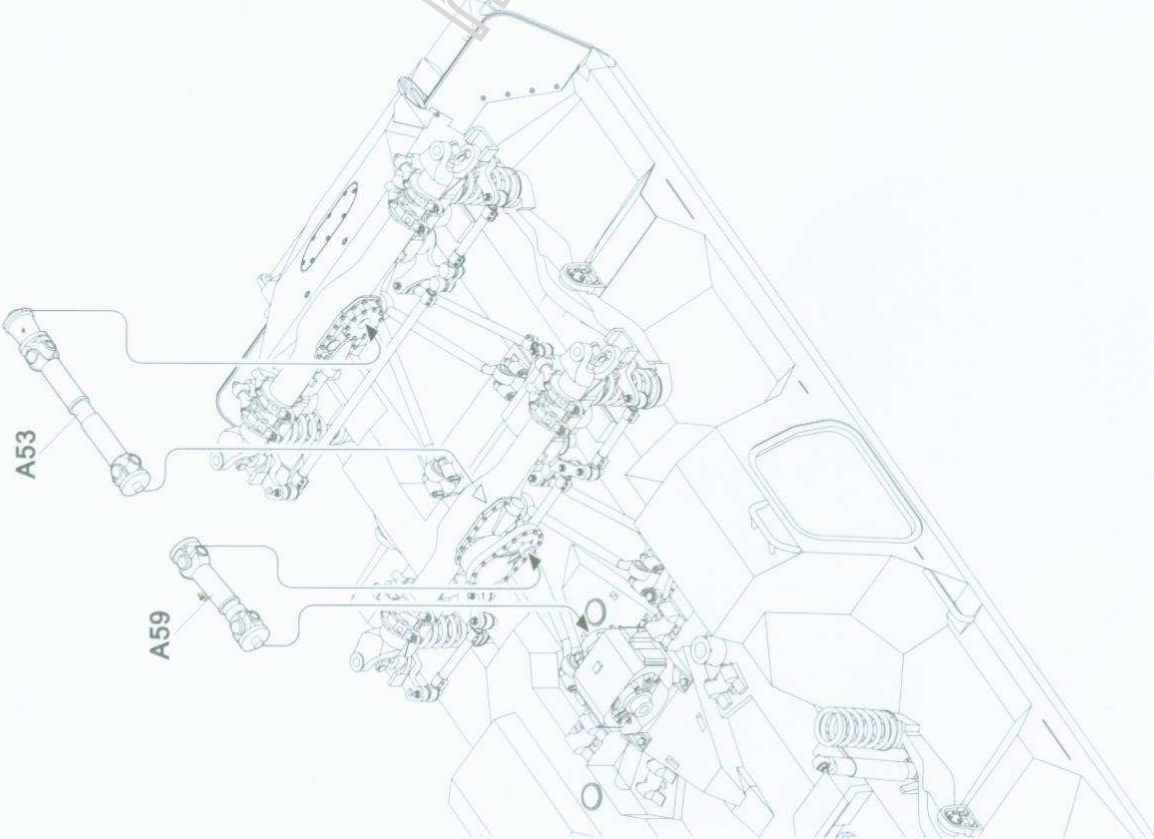


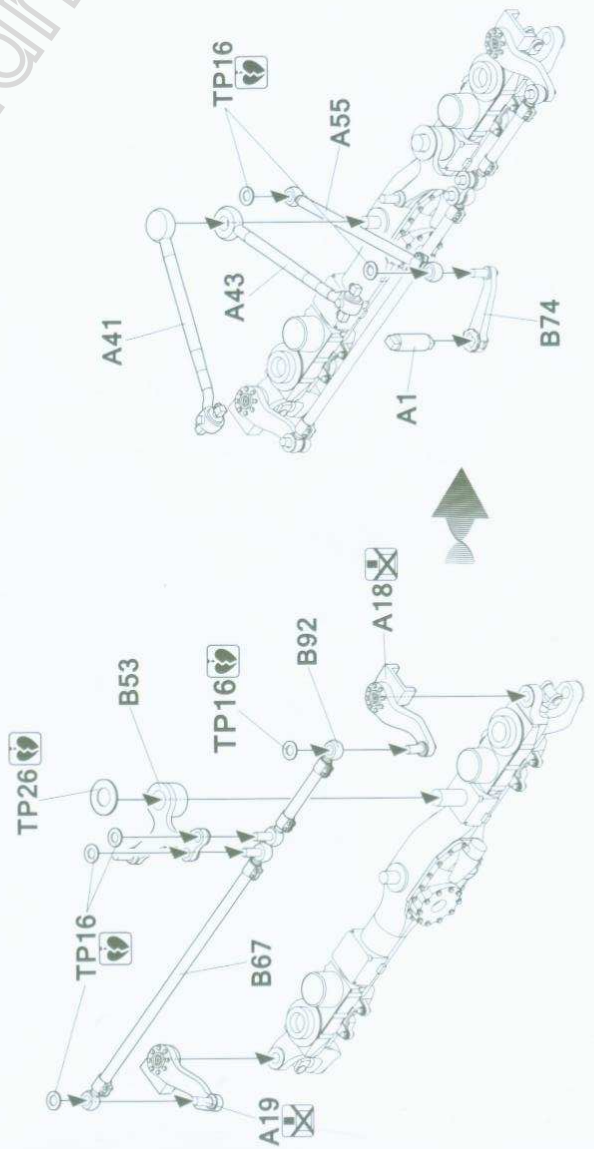
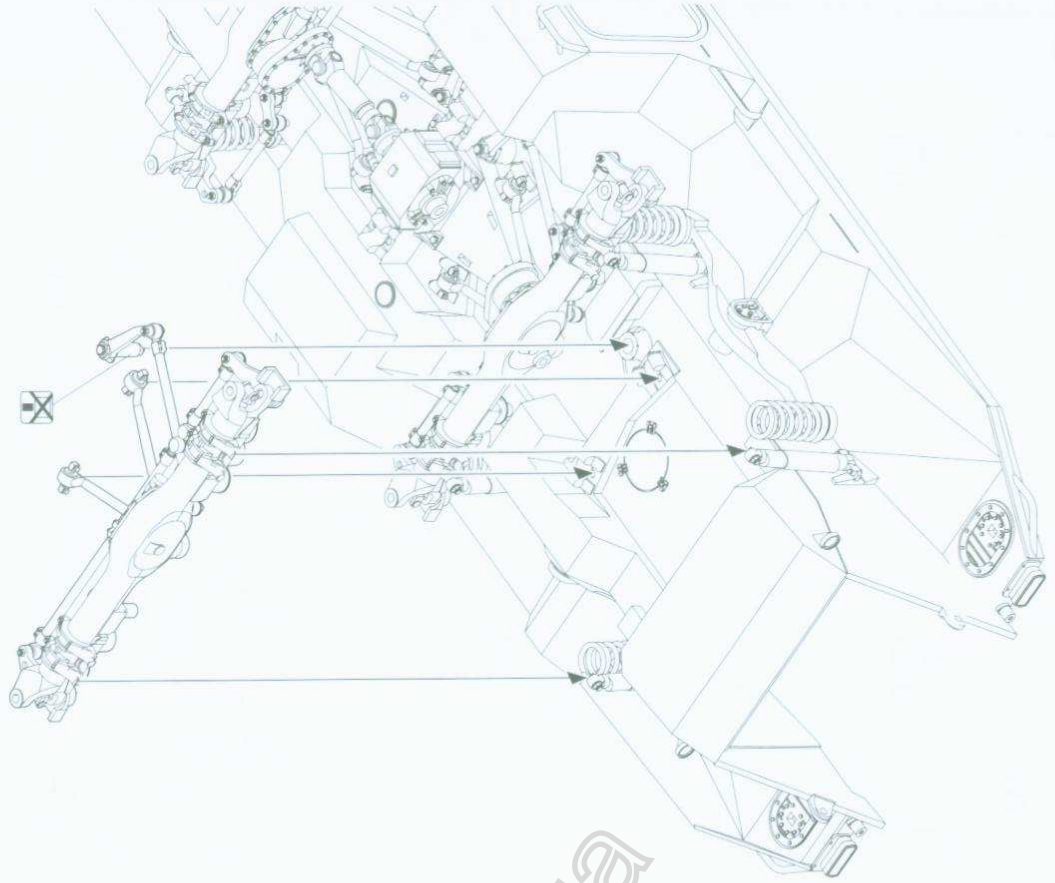
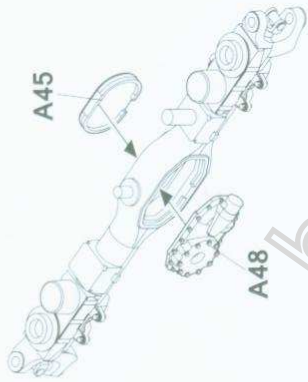
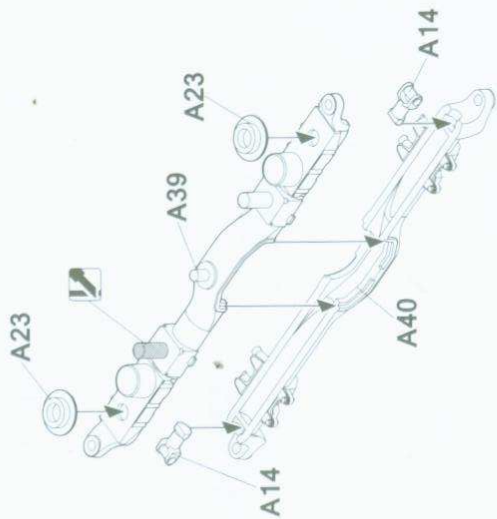
3



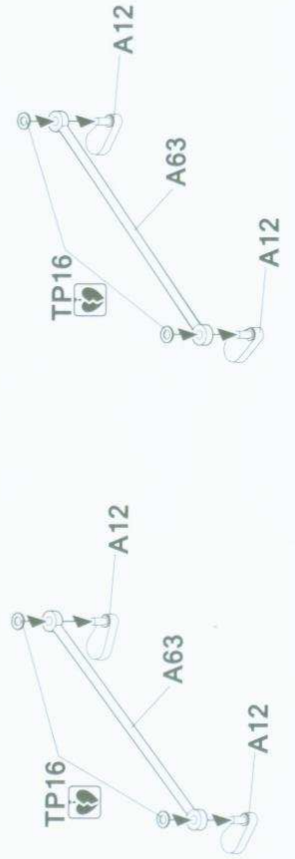
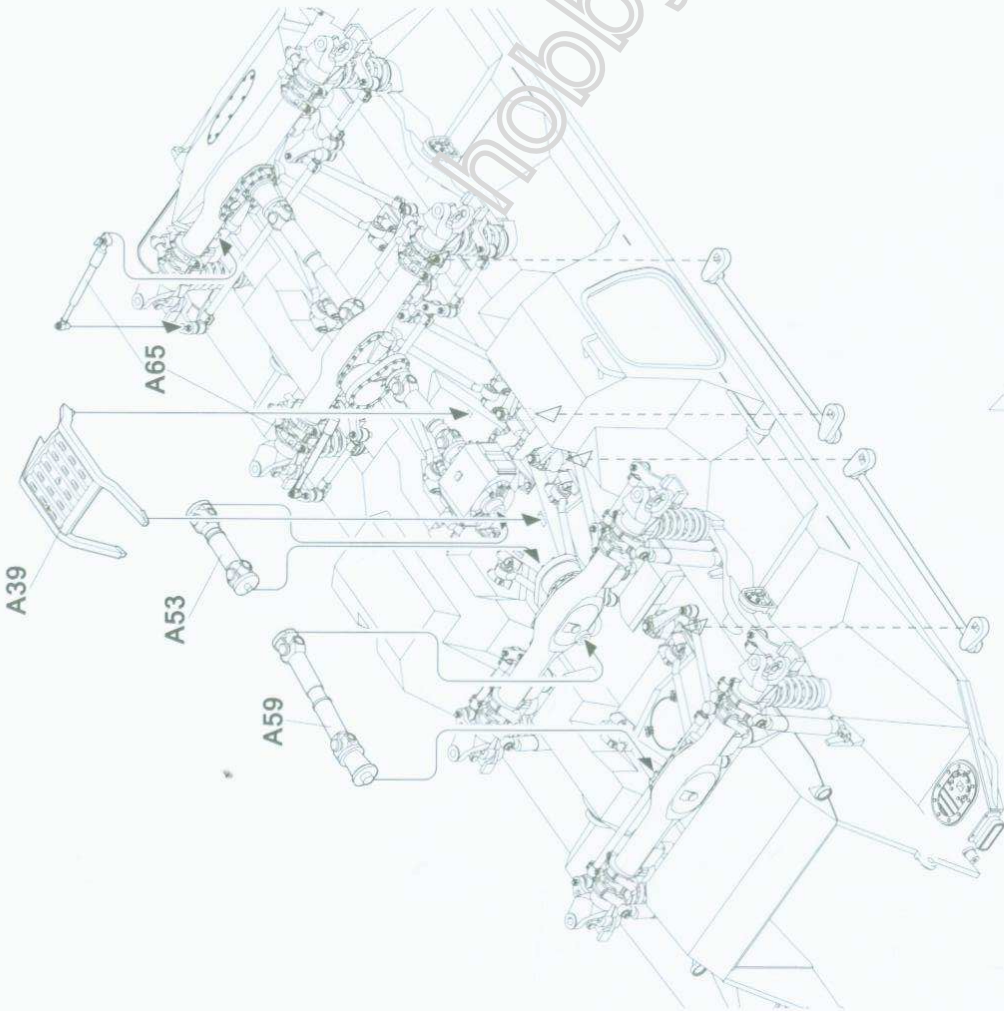
4



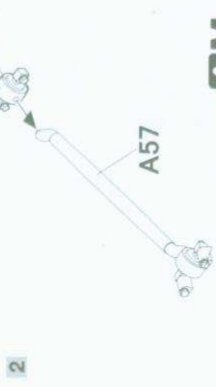




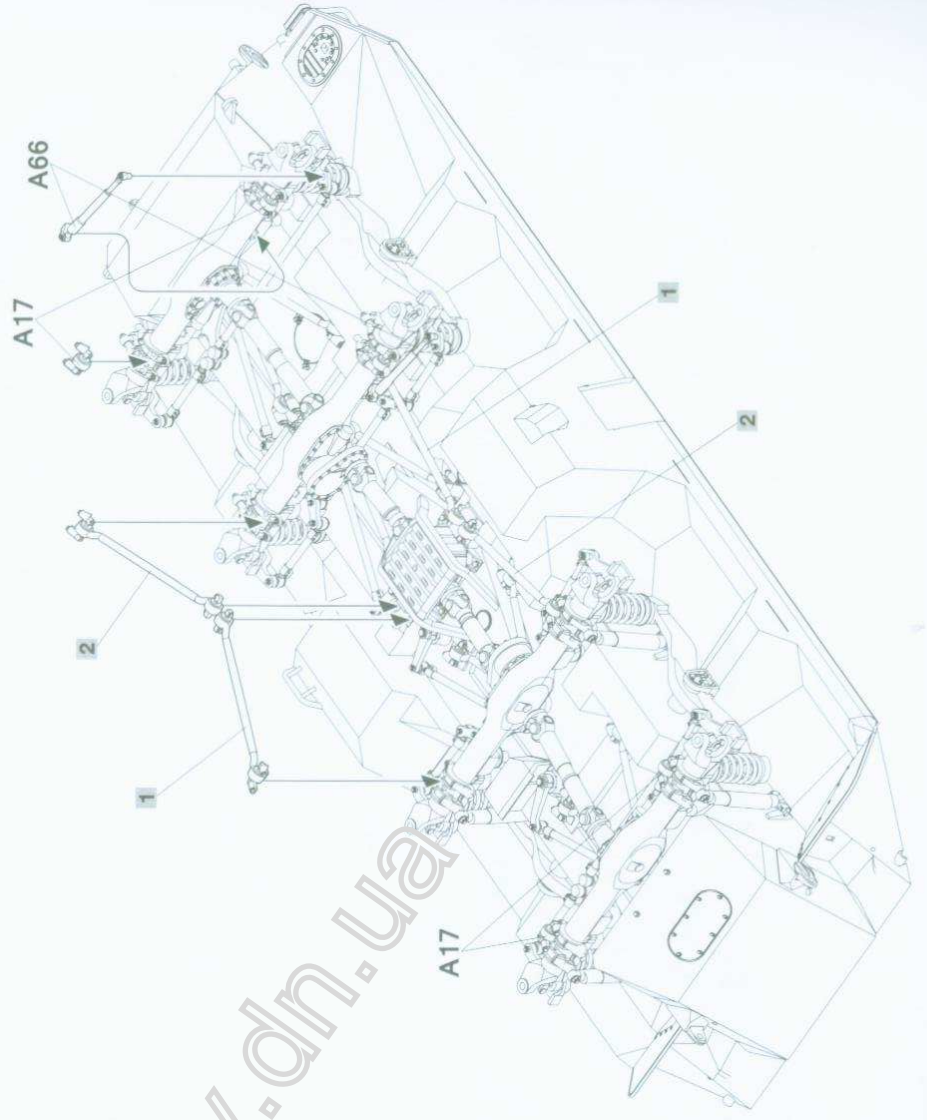
hobby.dn.ua

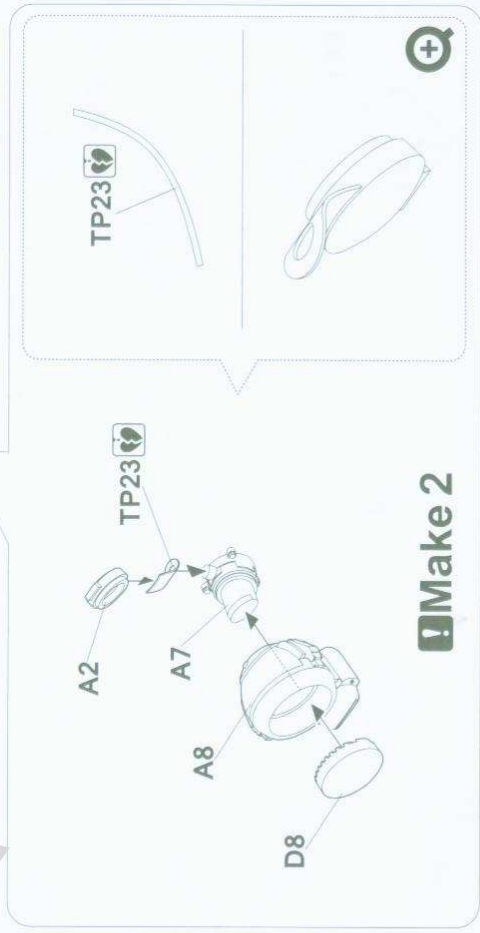
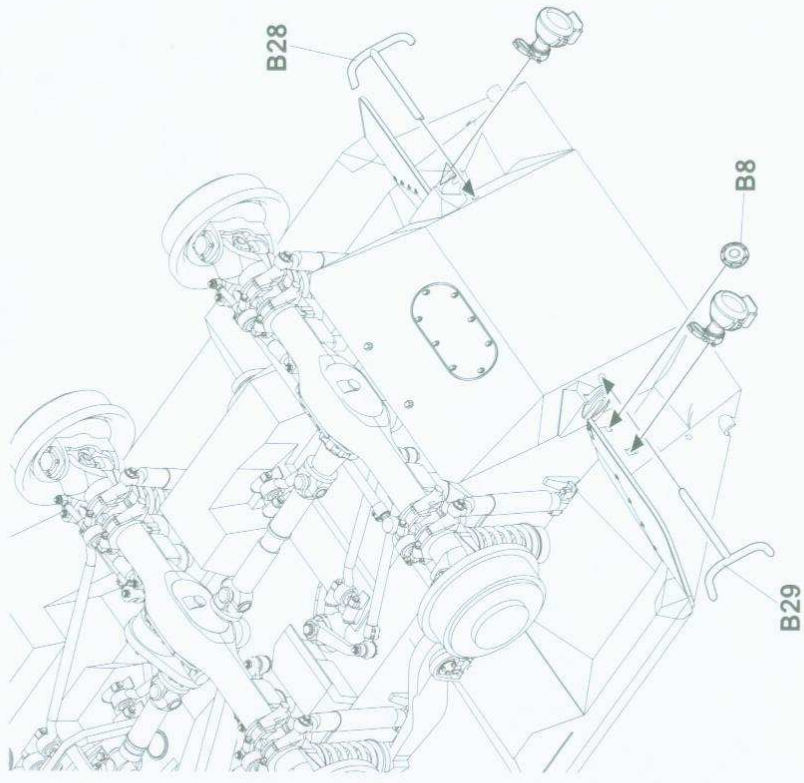
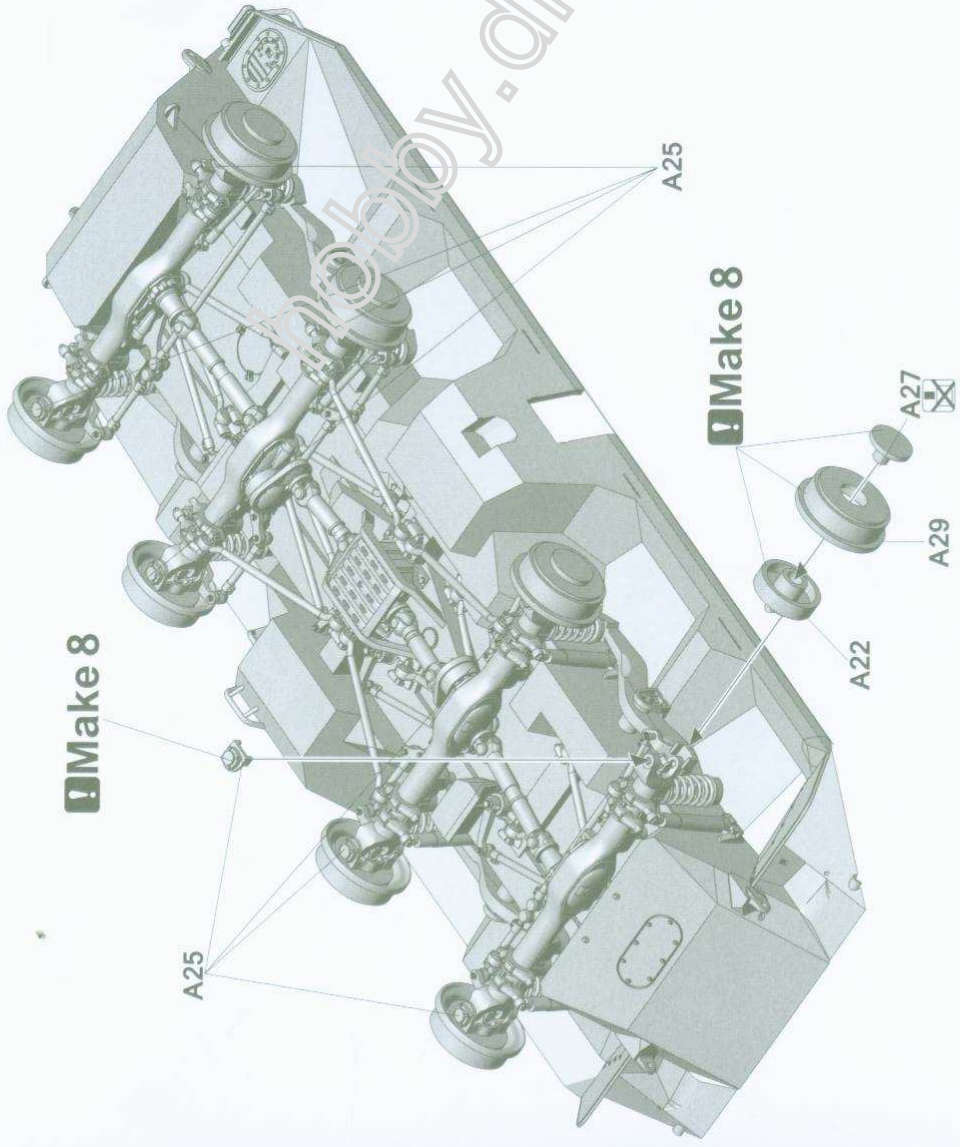


Make 2

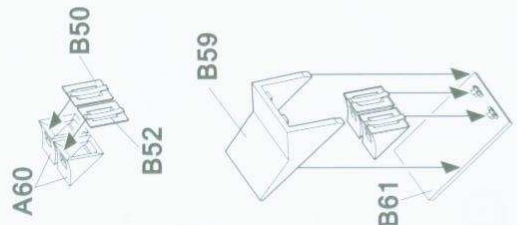
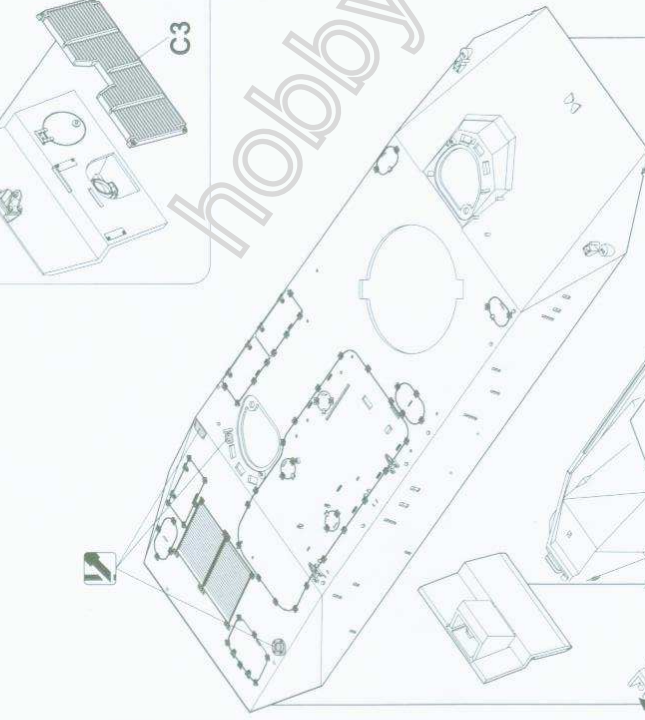
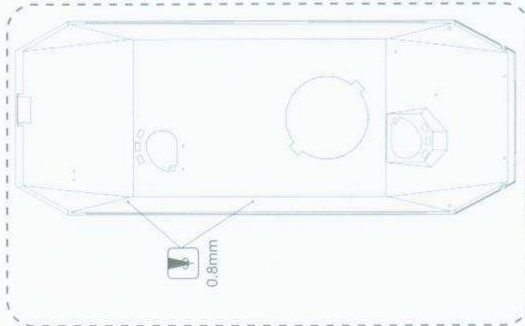
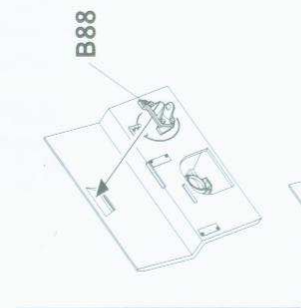
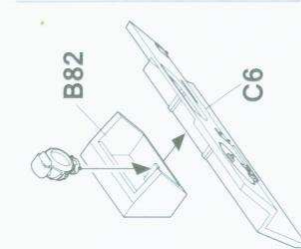
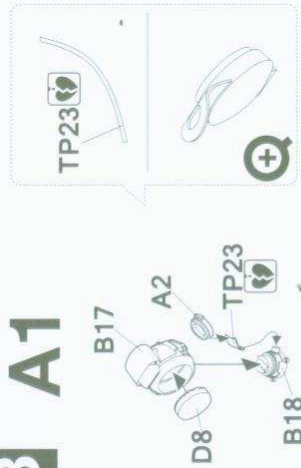


Make 2

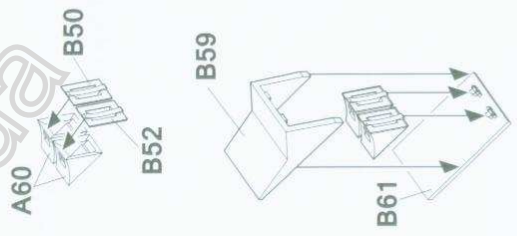
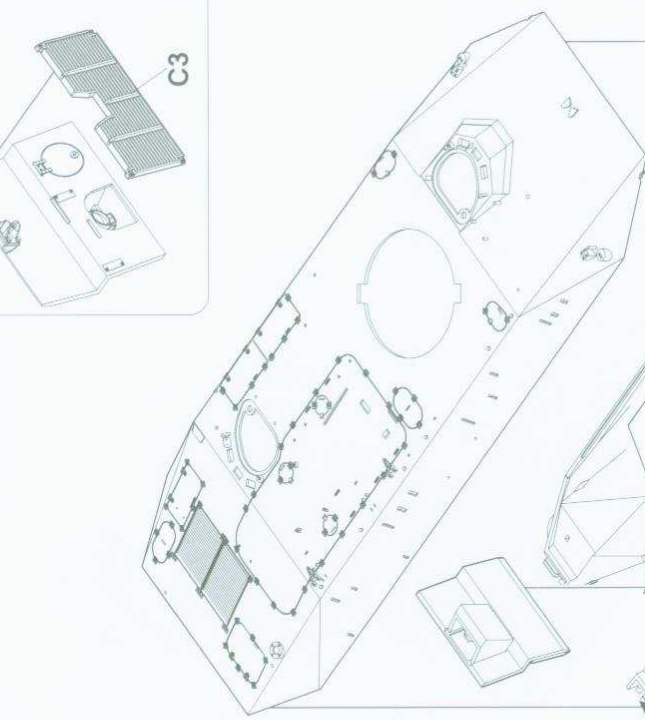
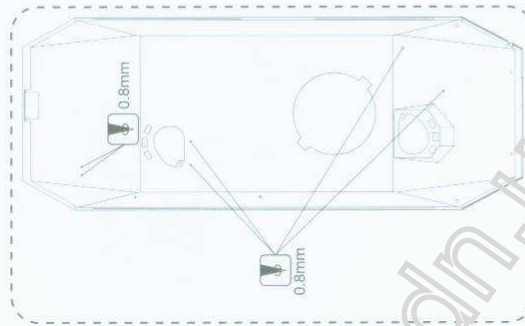
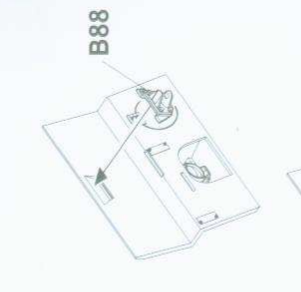
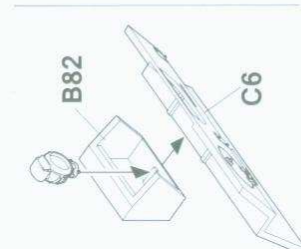
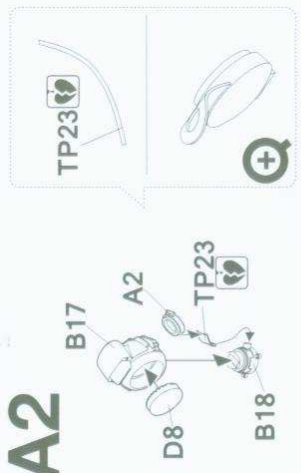




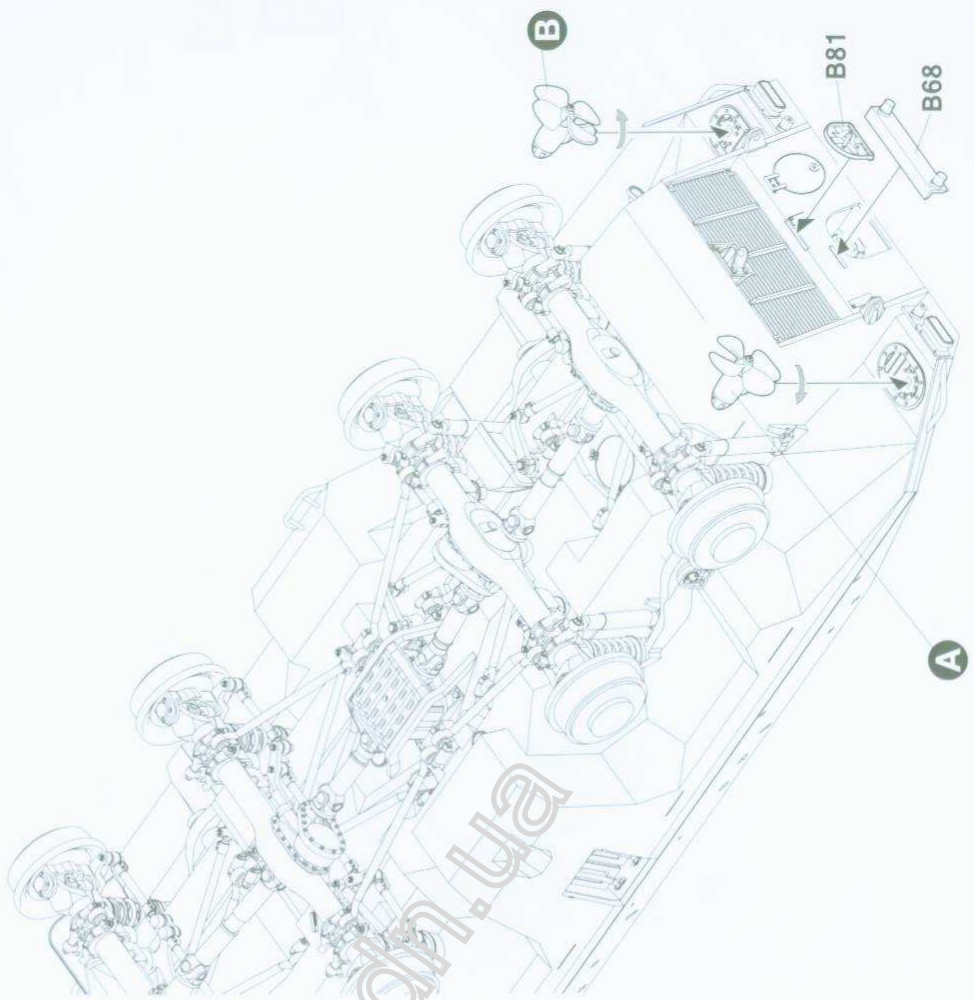
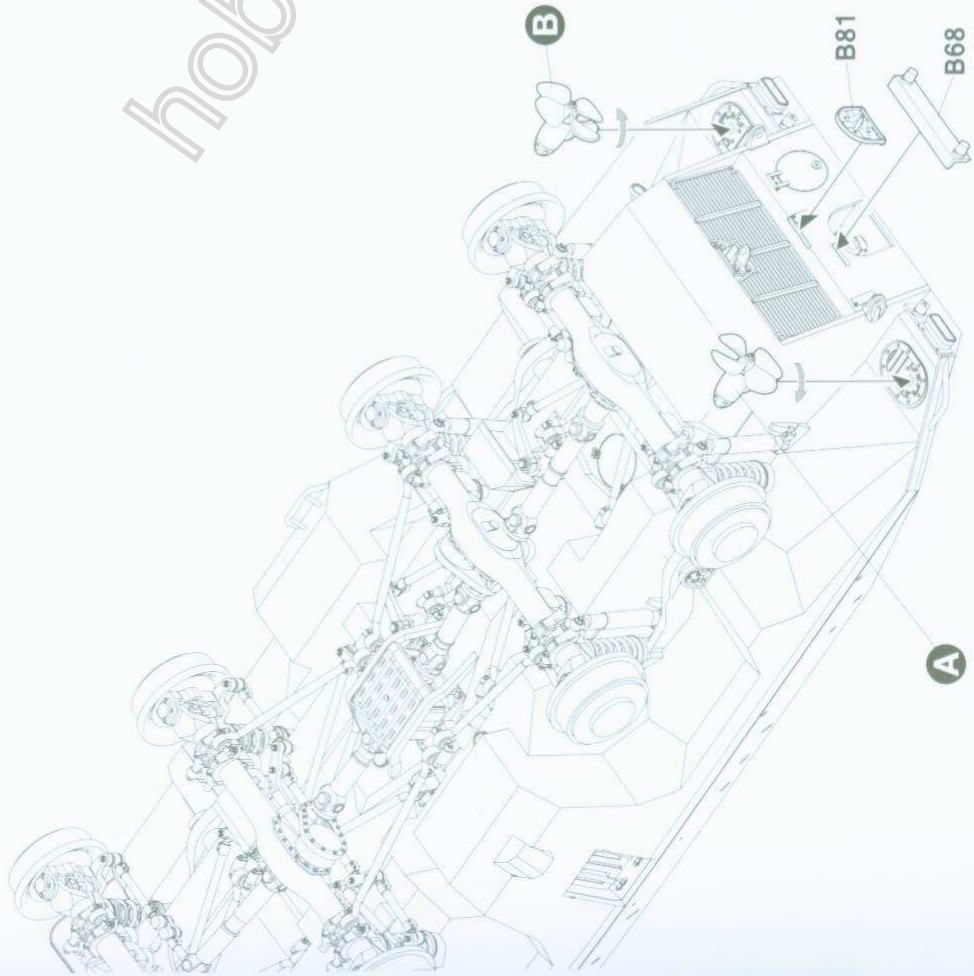
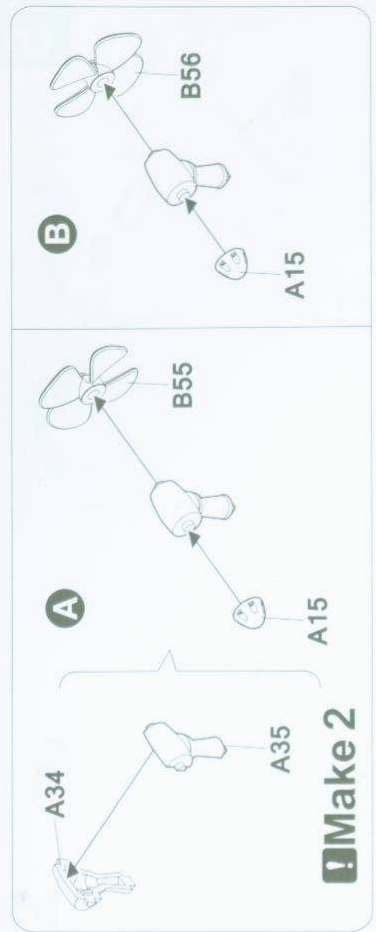
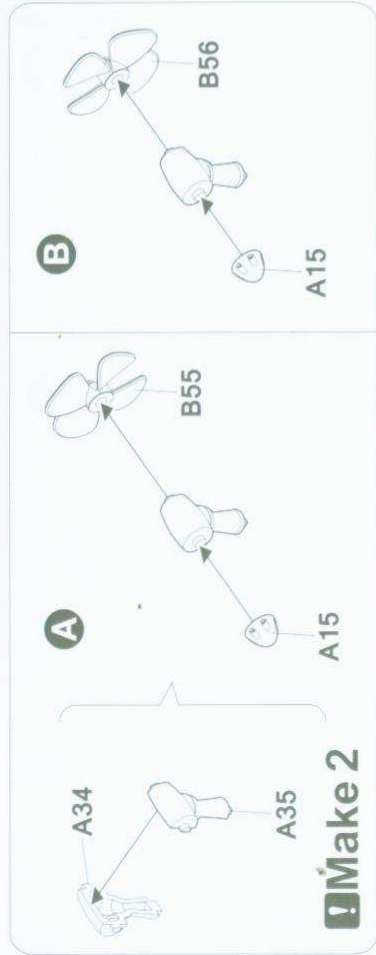
A1



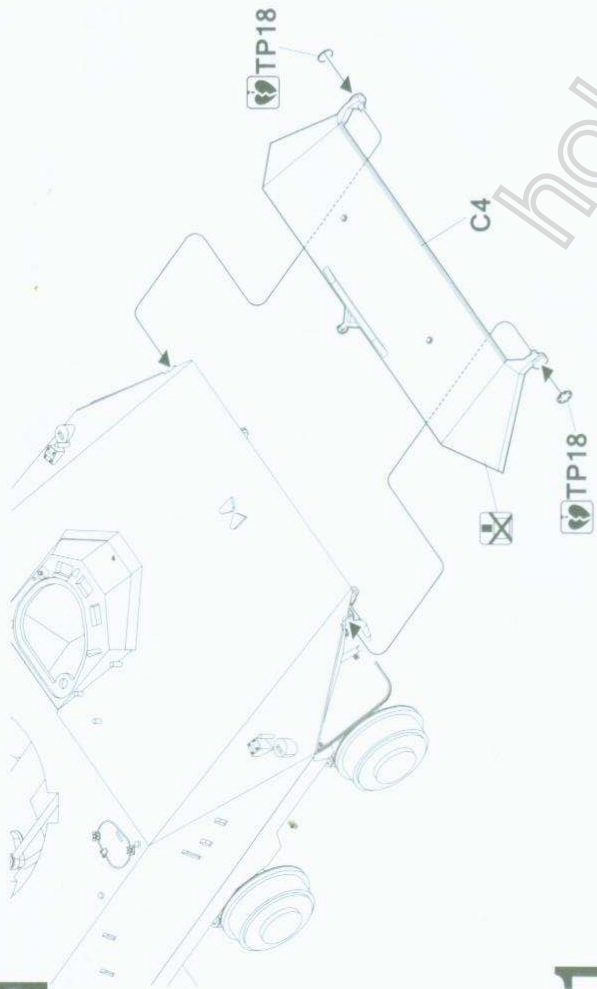
A2



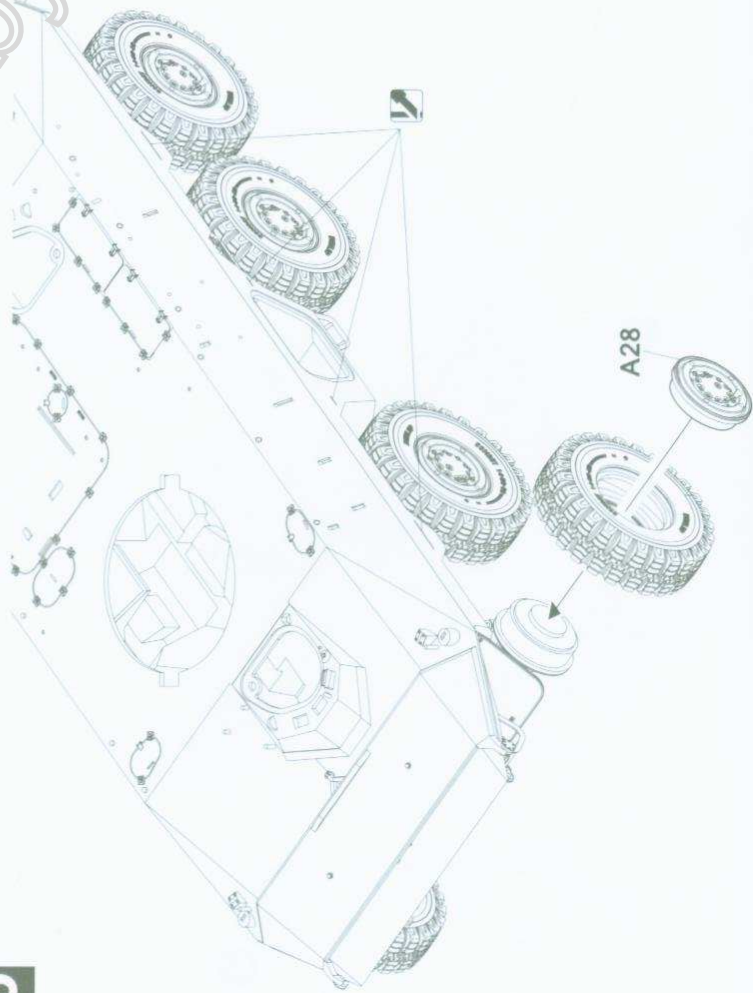
hobby.on.ua



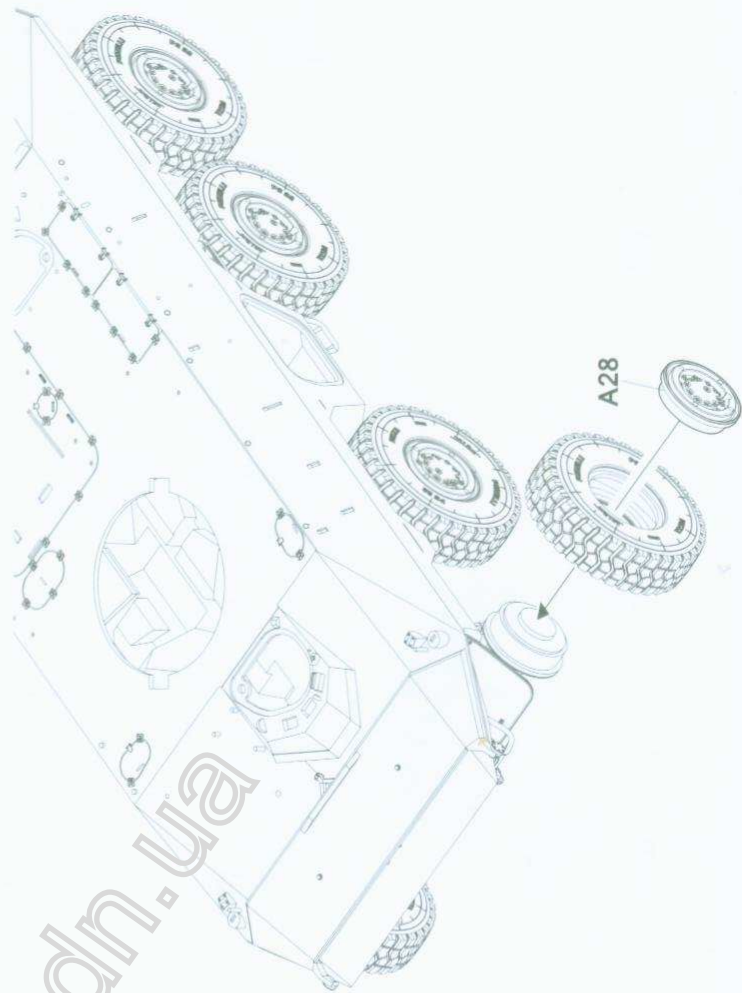
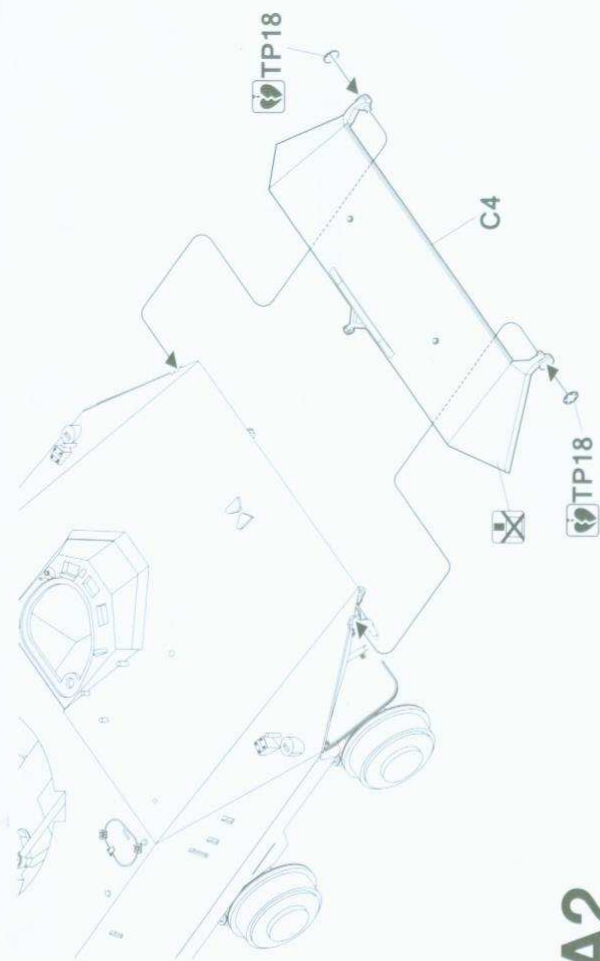
hobby.ch.ua

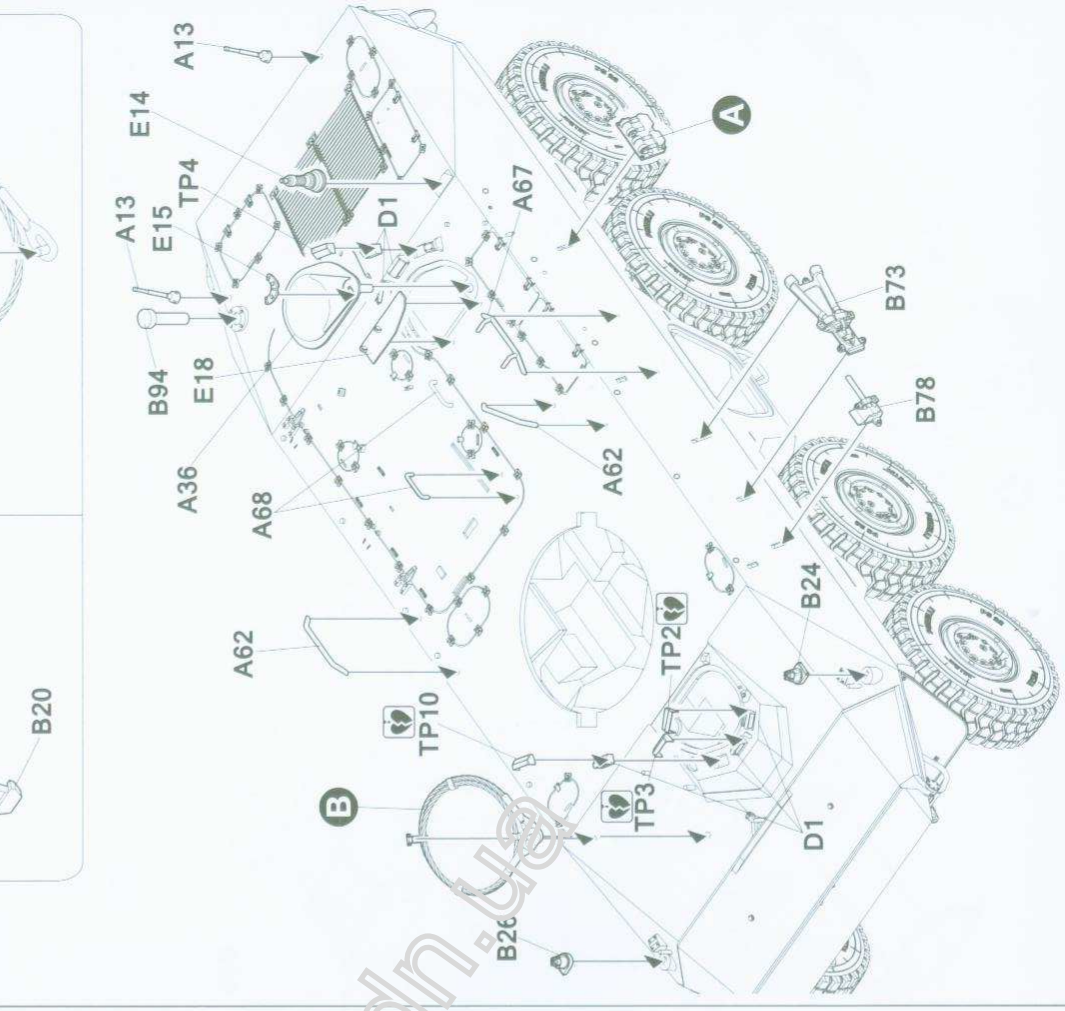
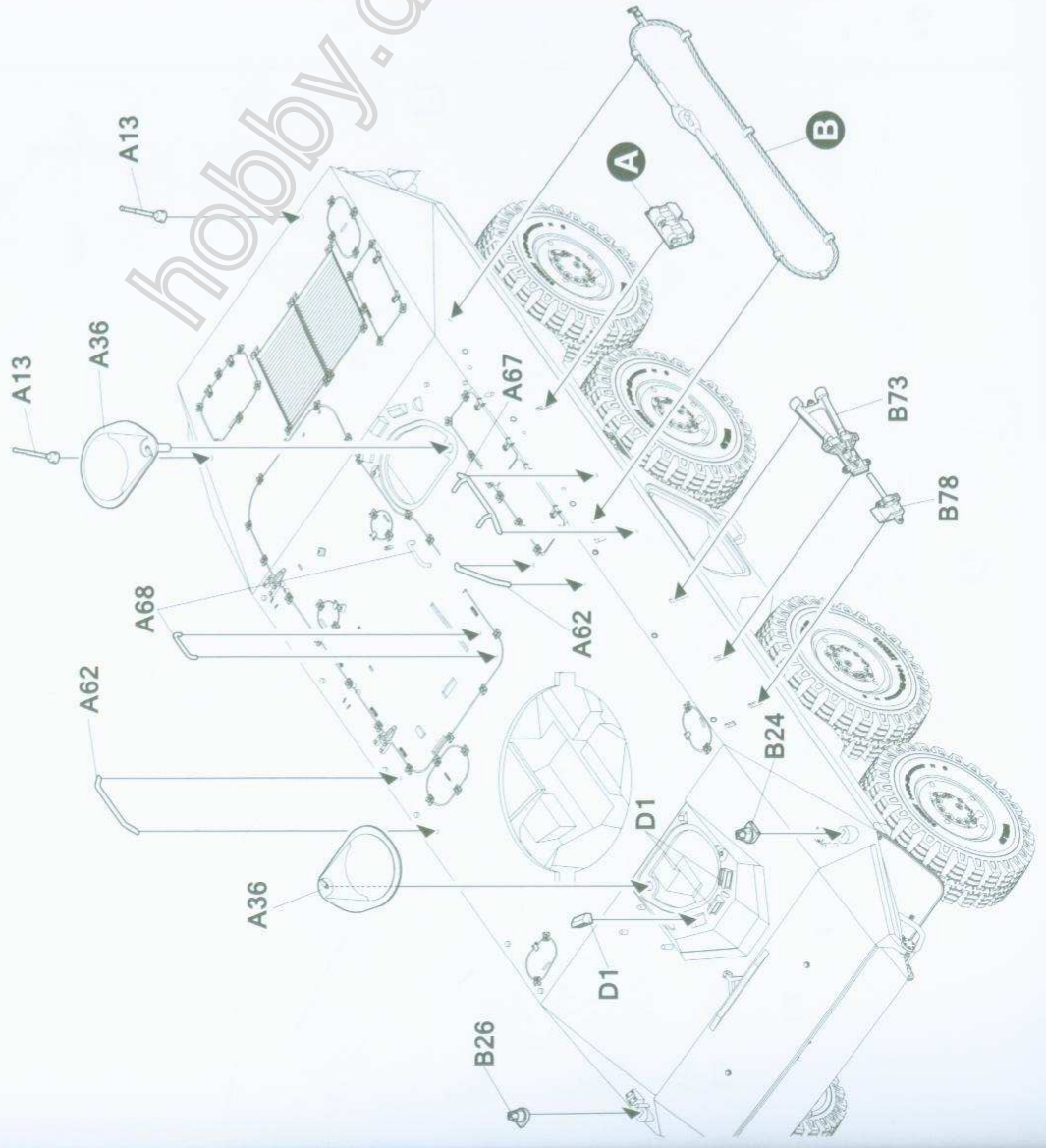
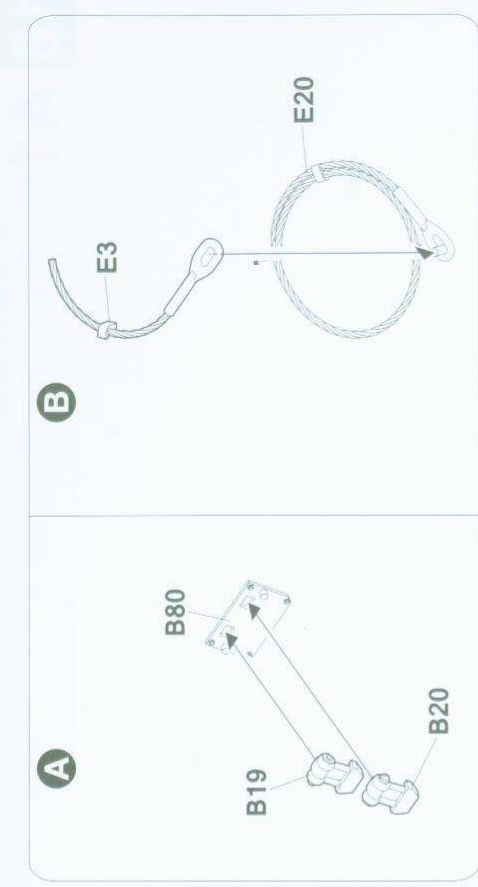
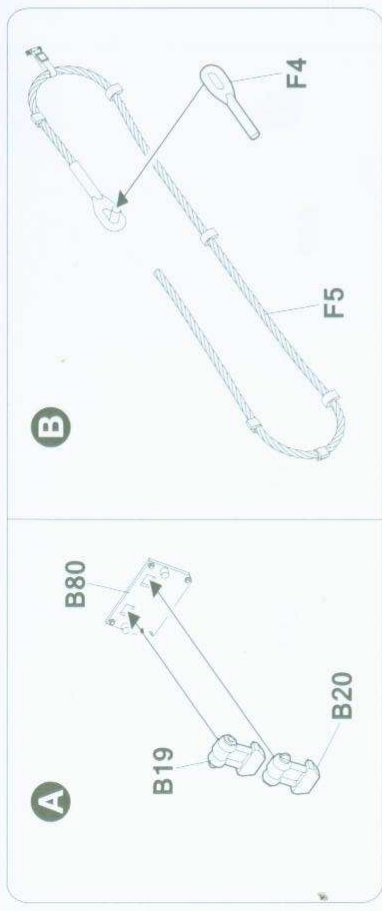


A1

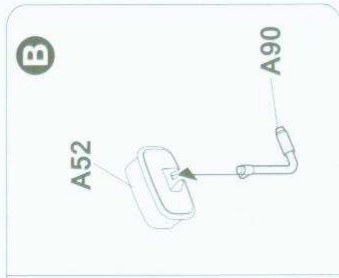
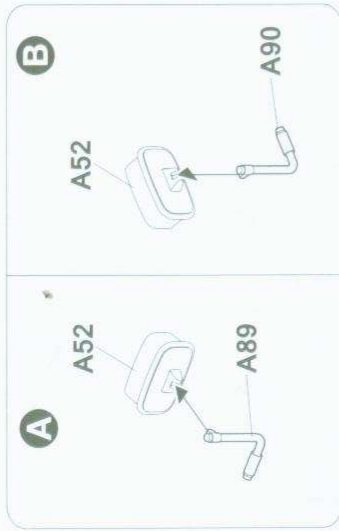
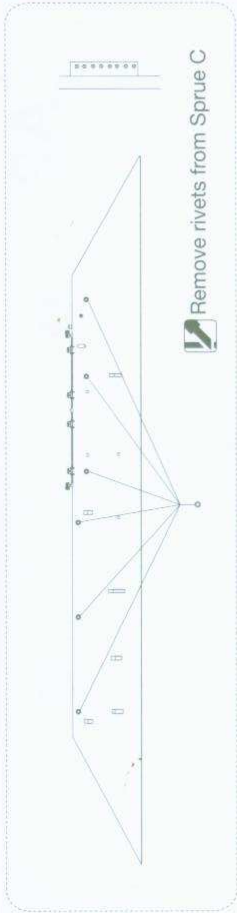


A2

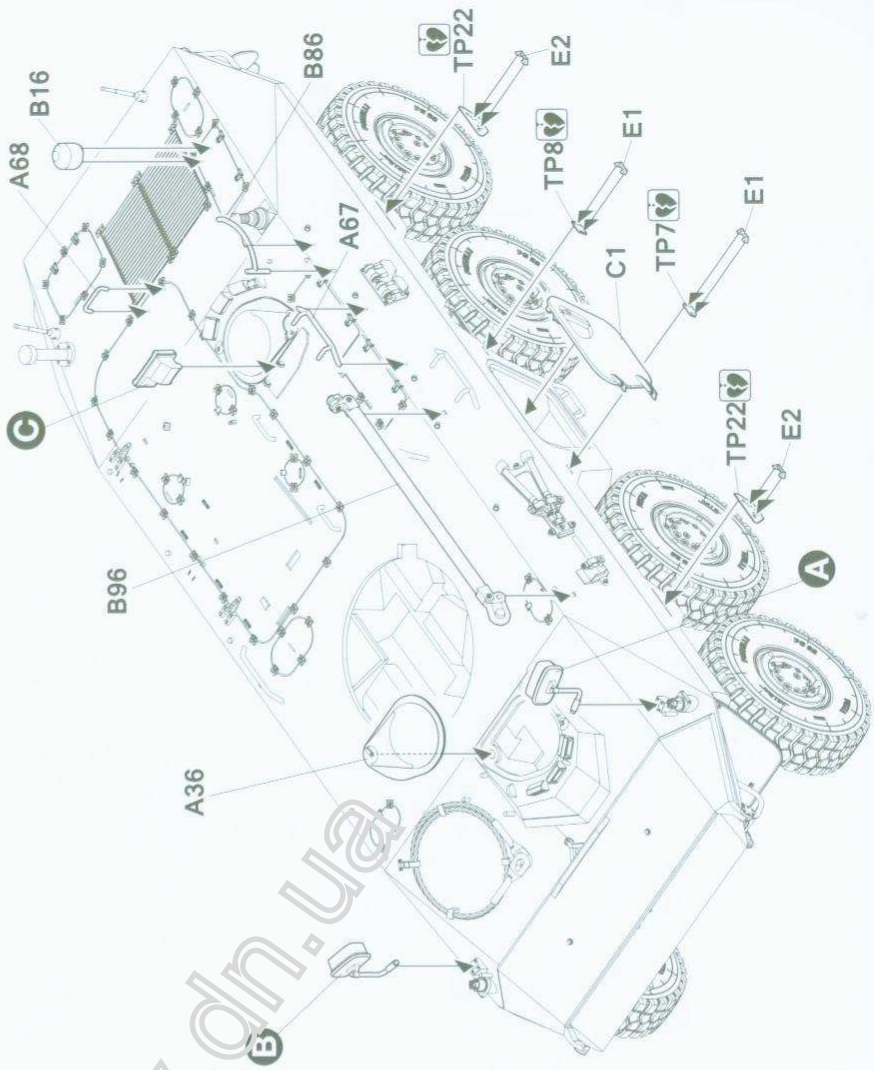
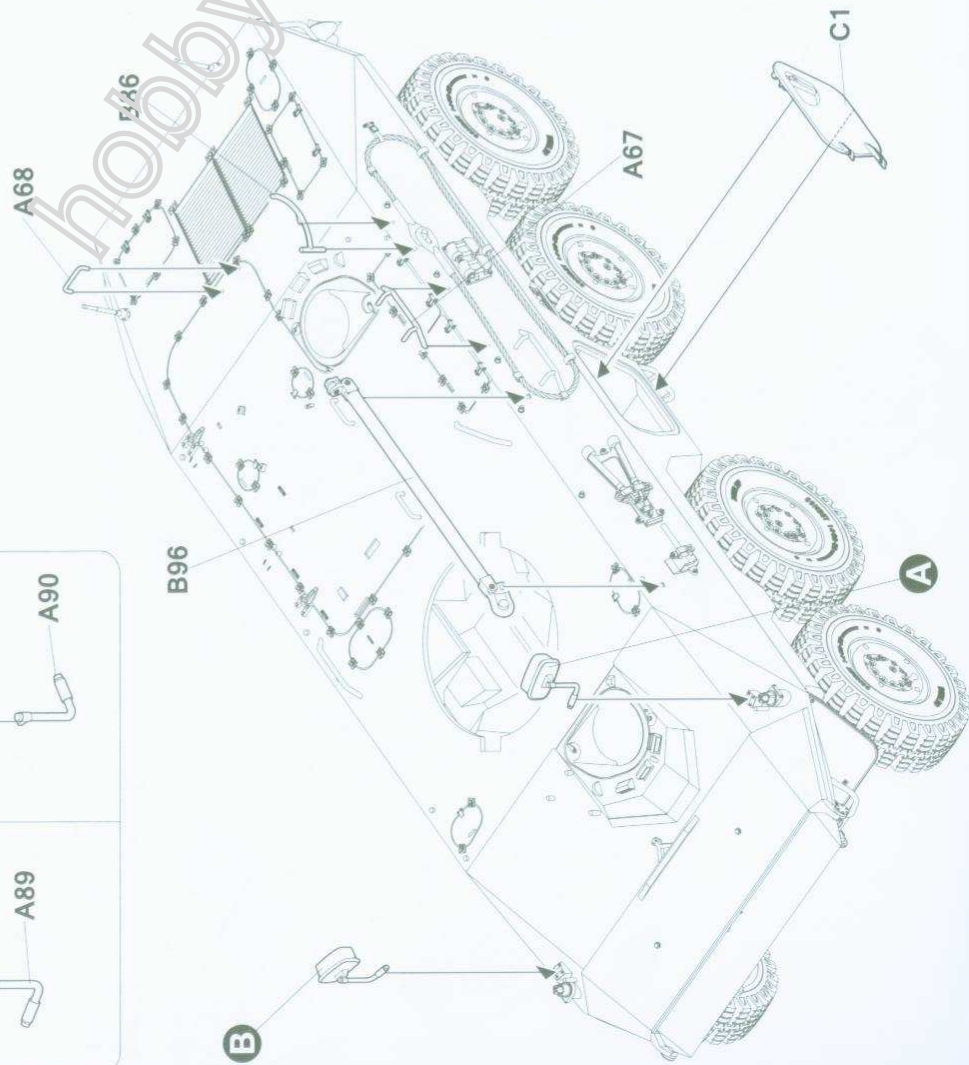
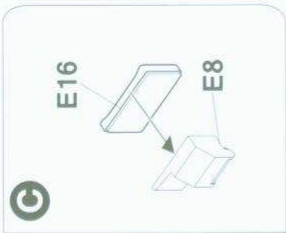
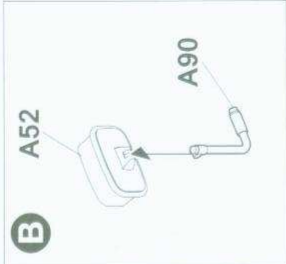
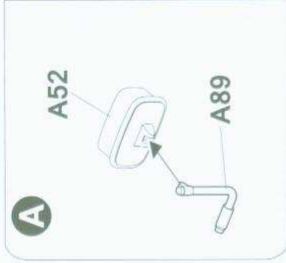
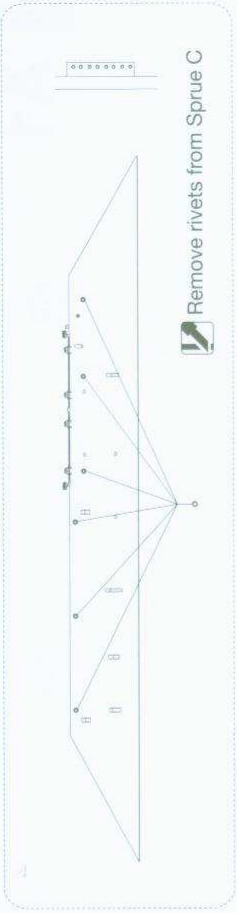


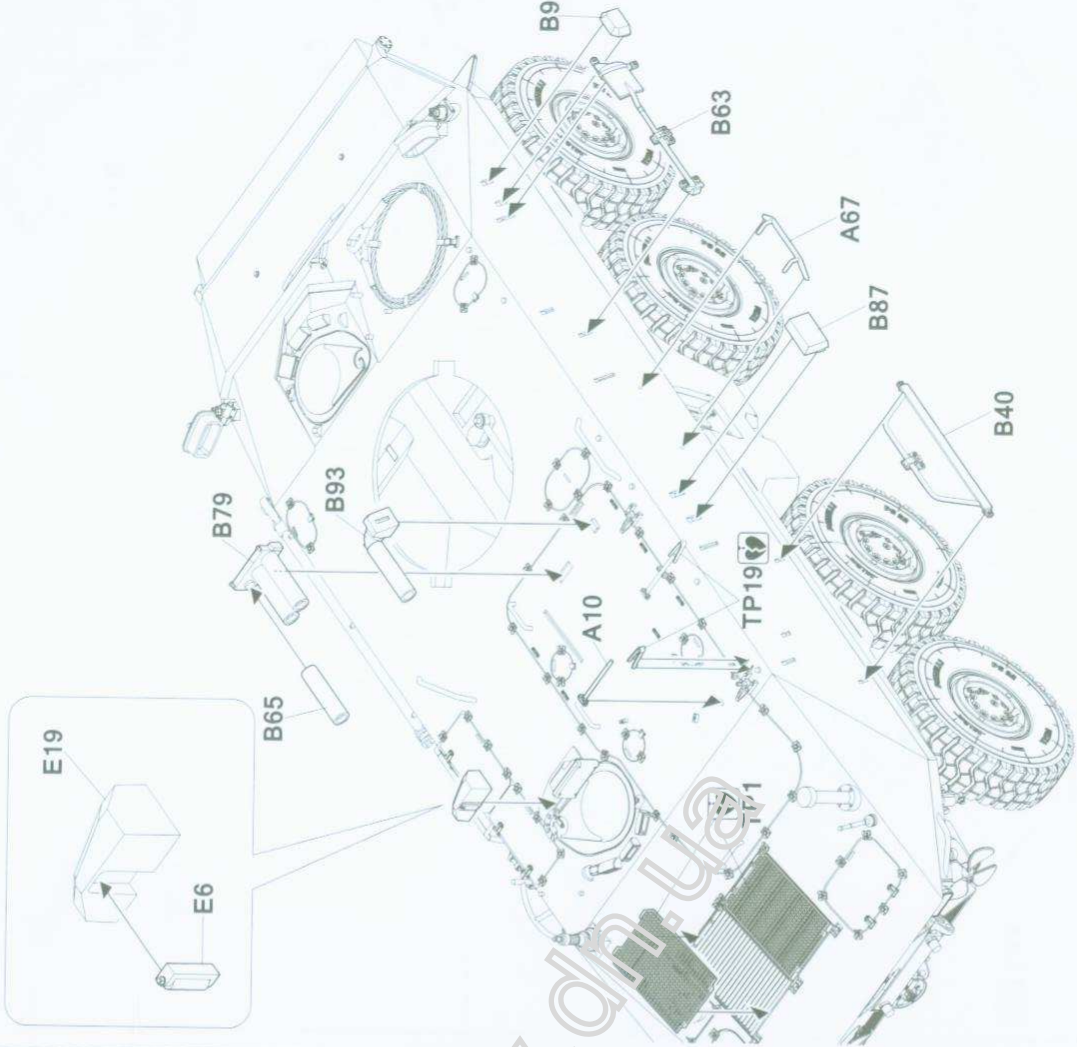
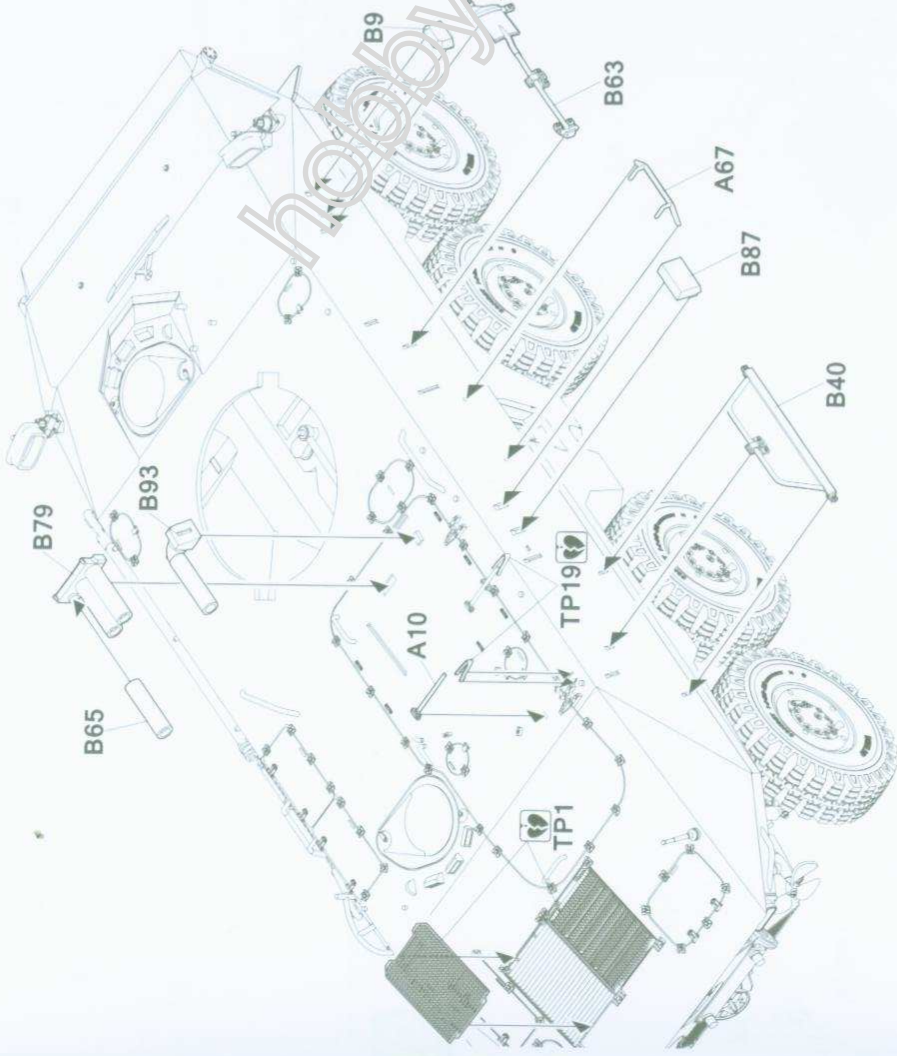


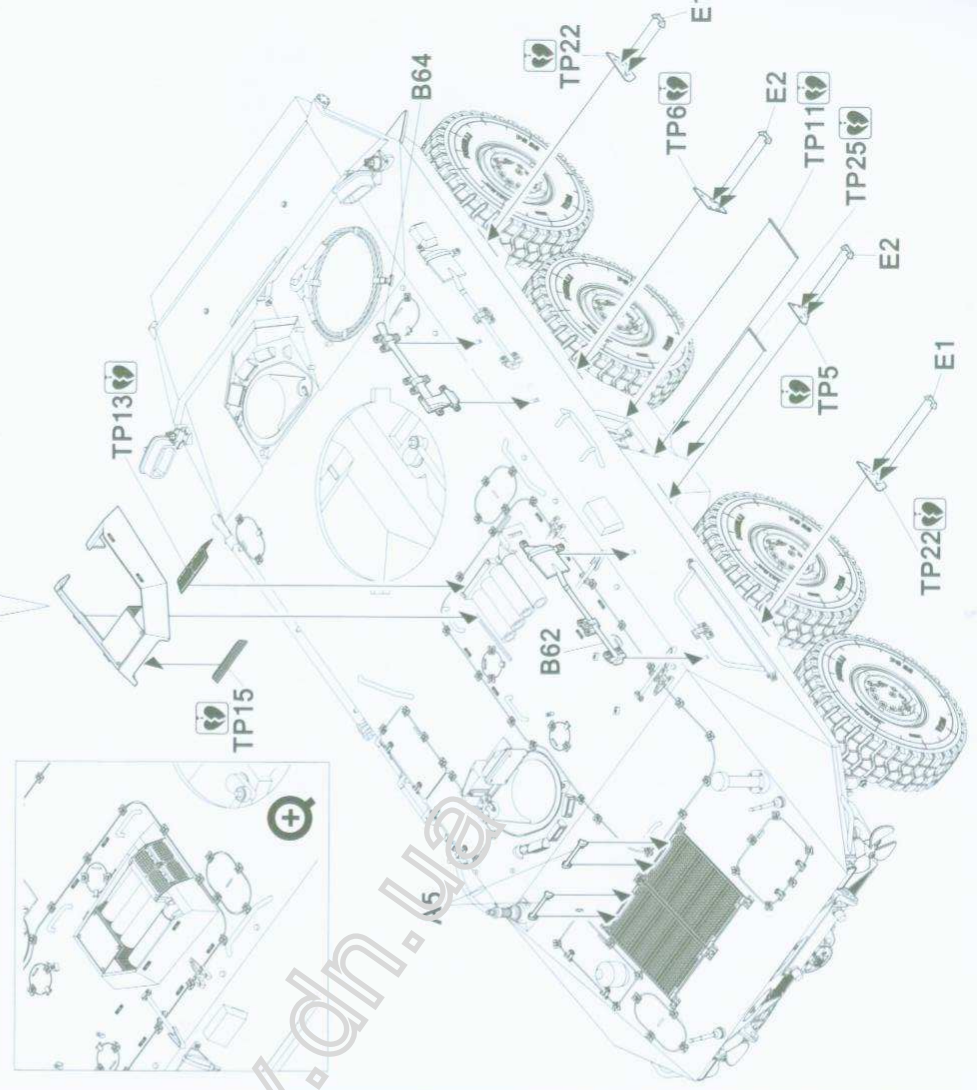
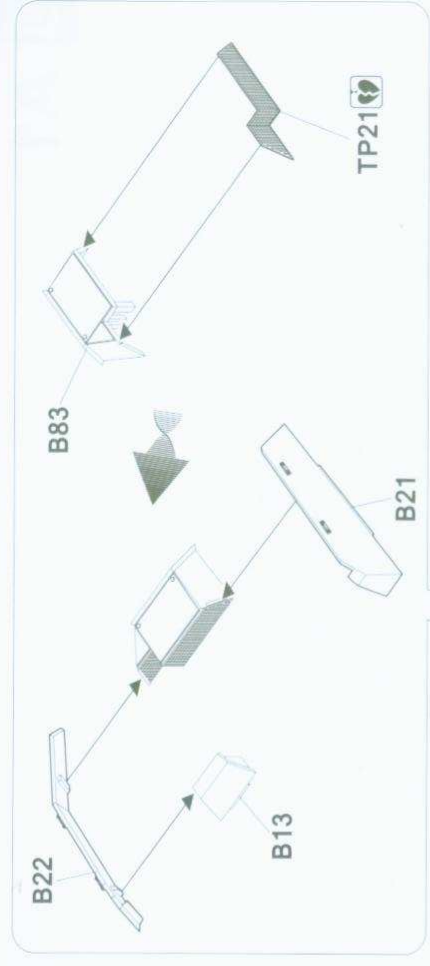
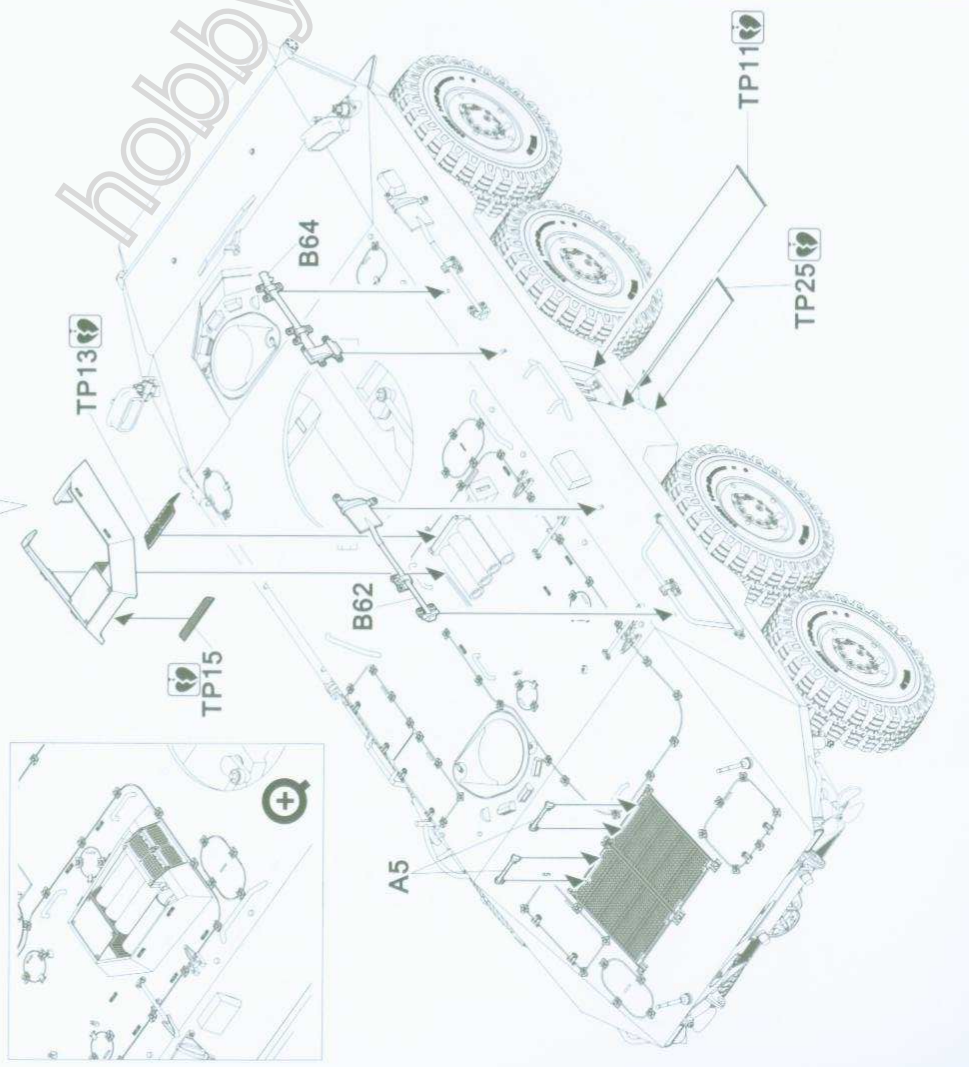
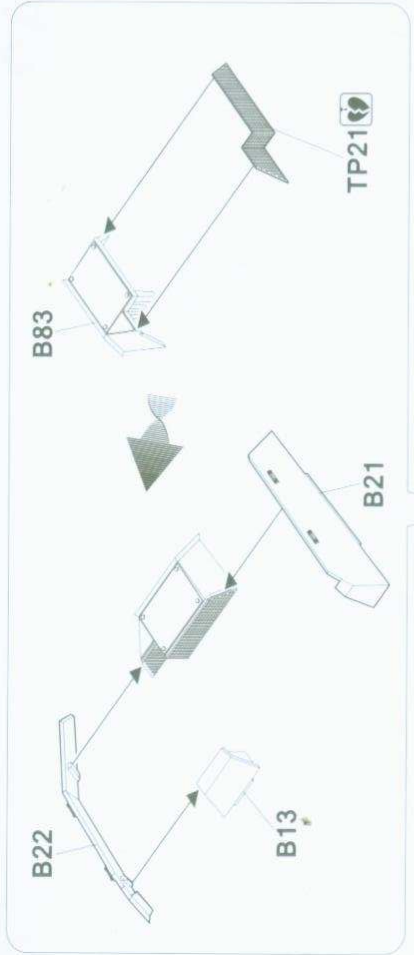
18 A1

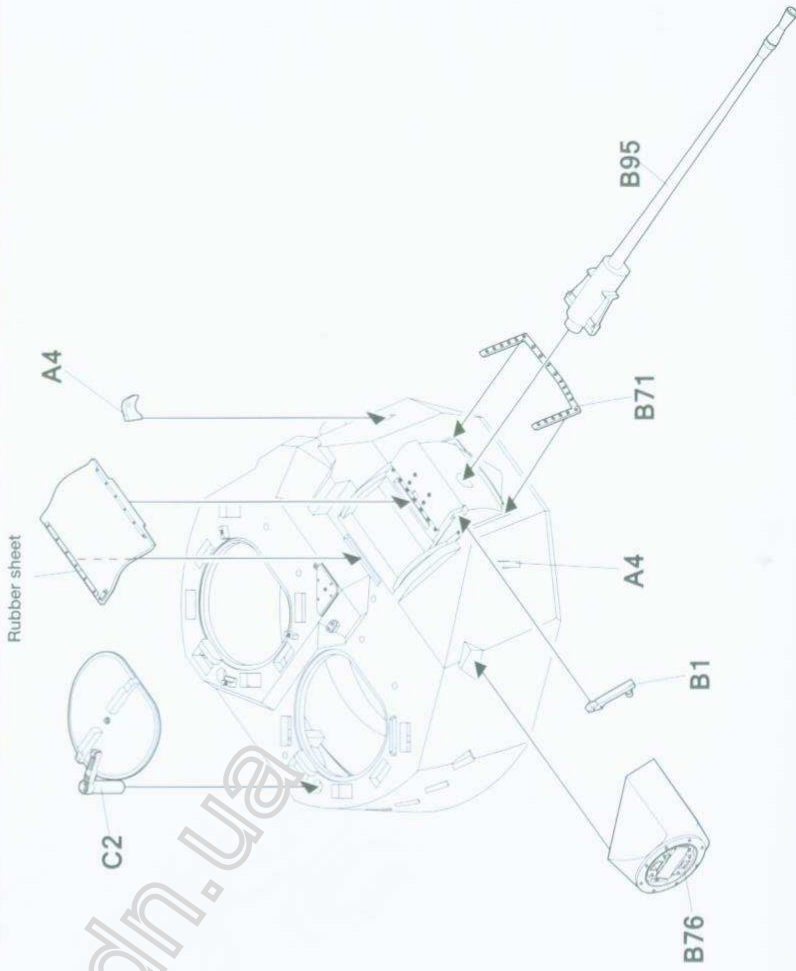
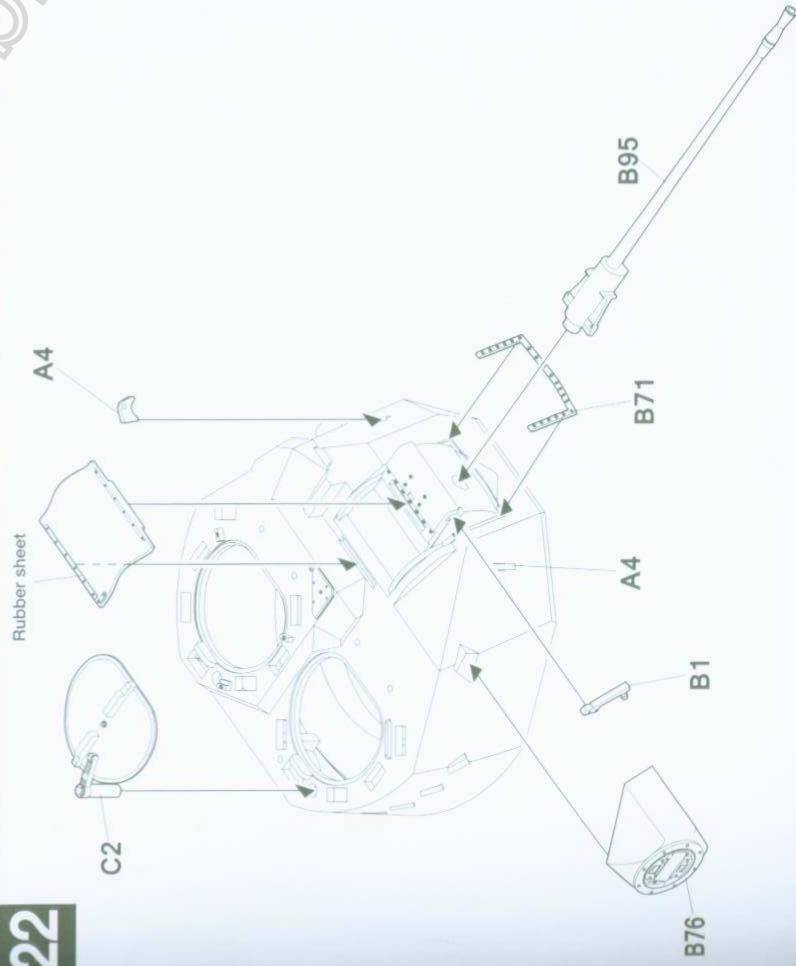
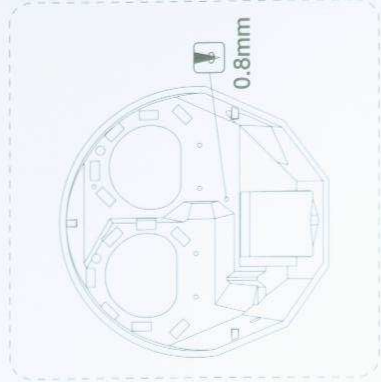
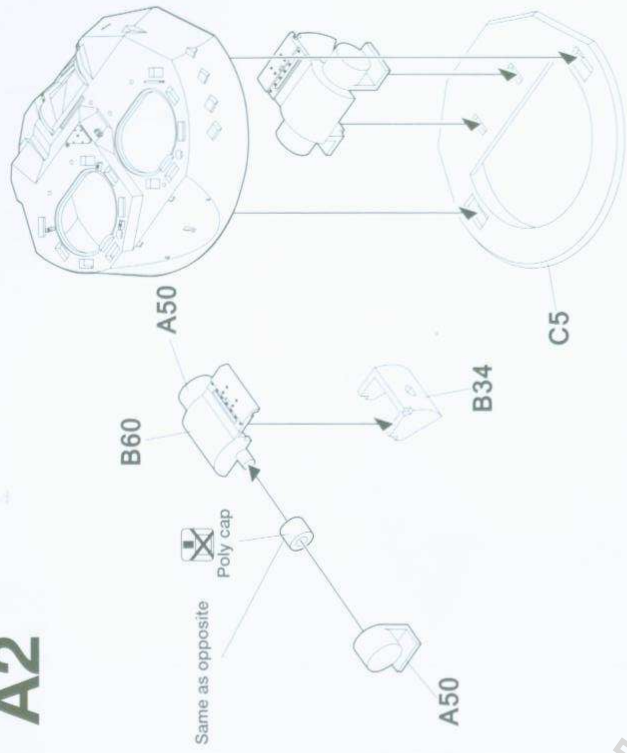
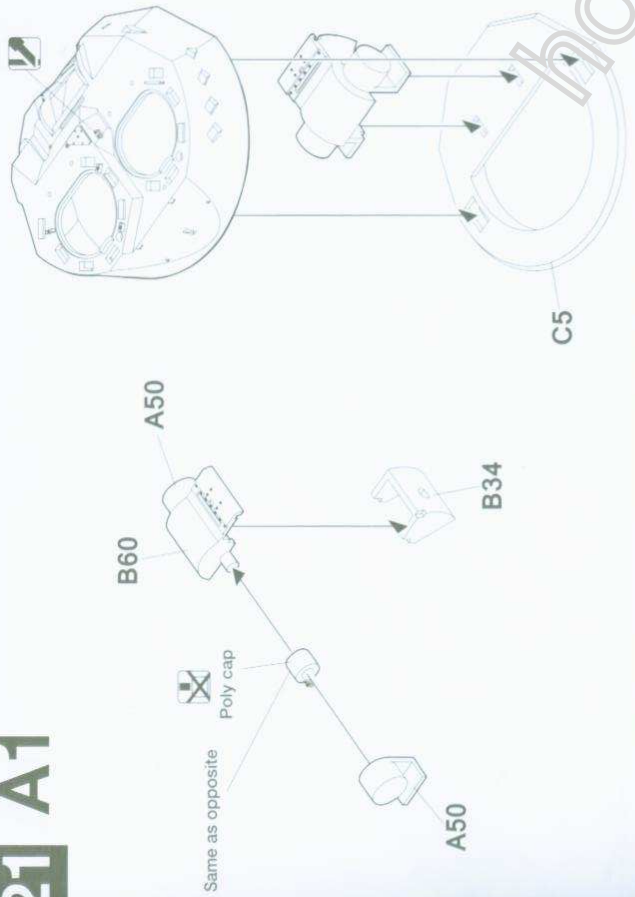


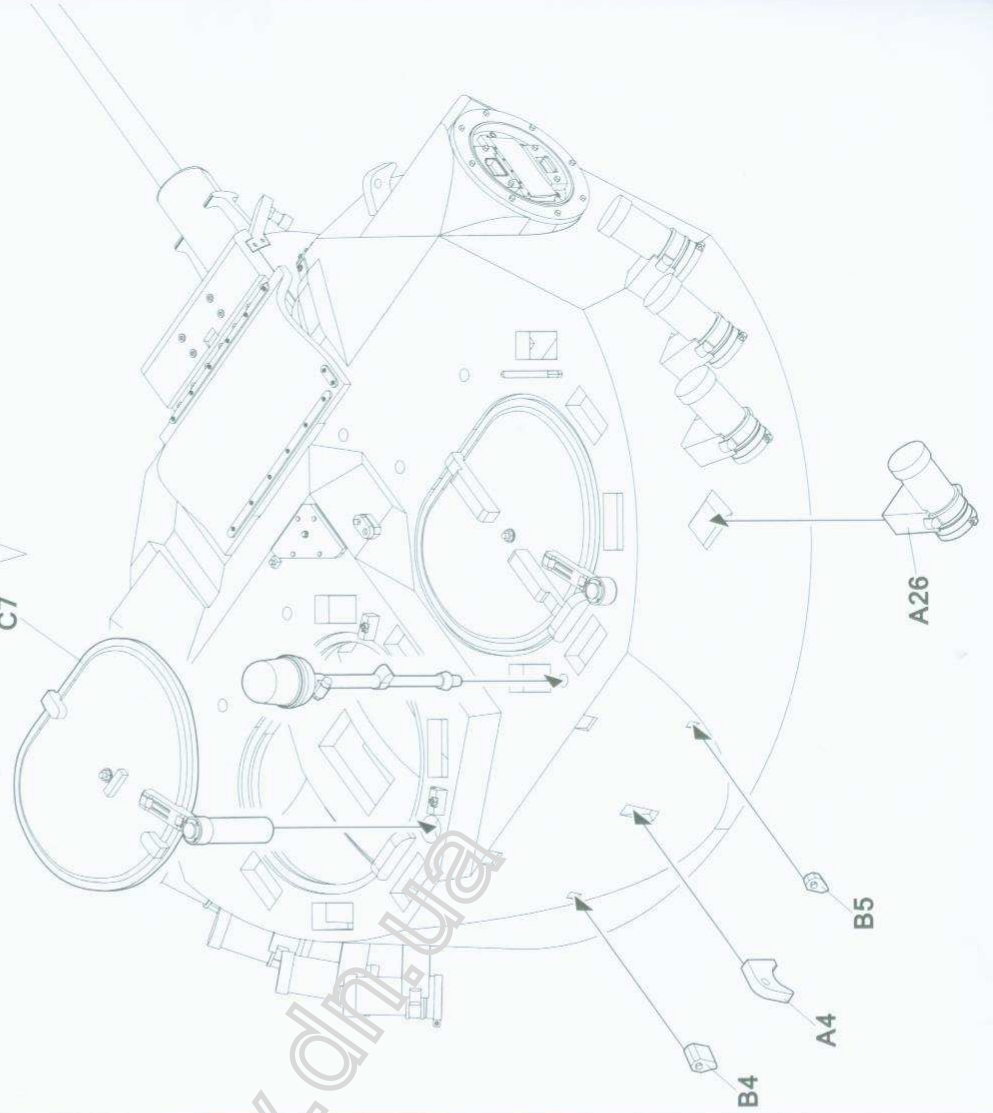
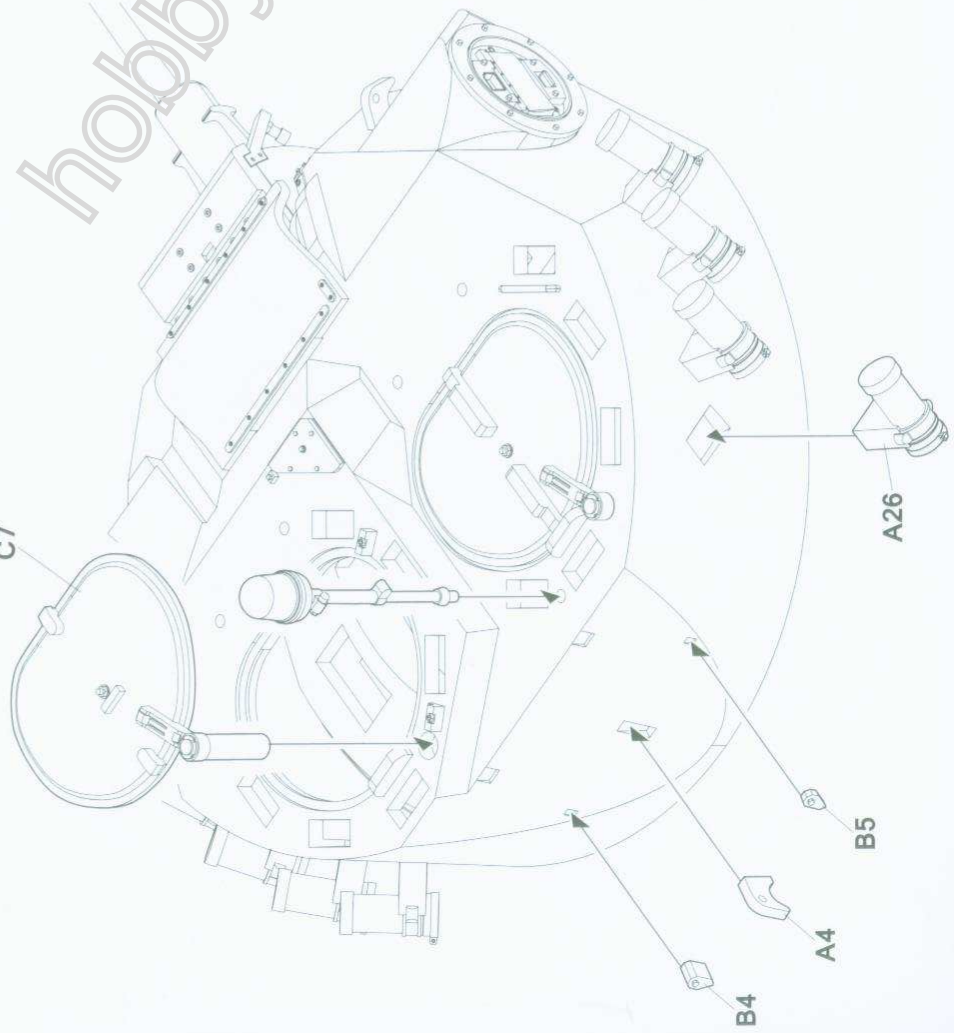
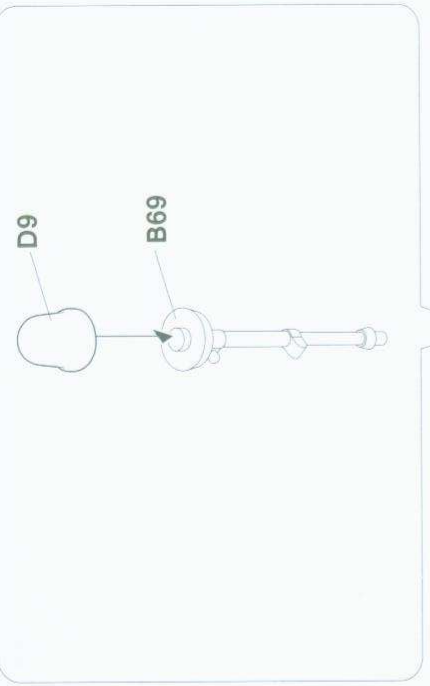
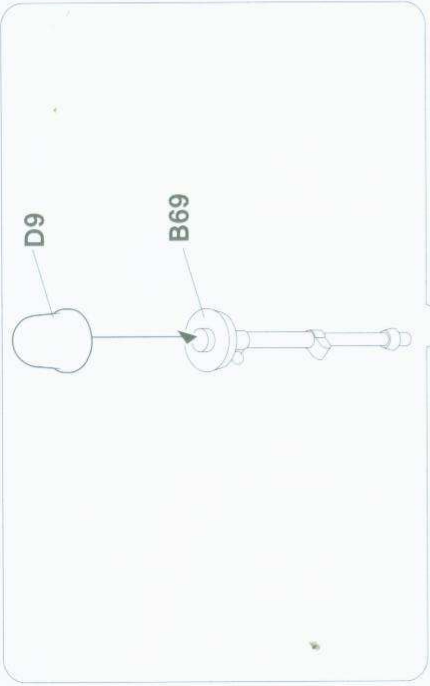
A2



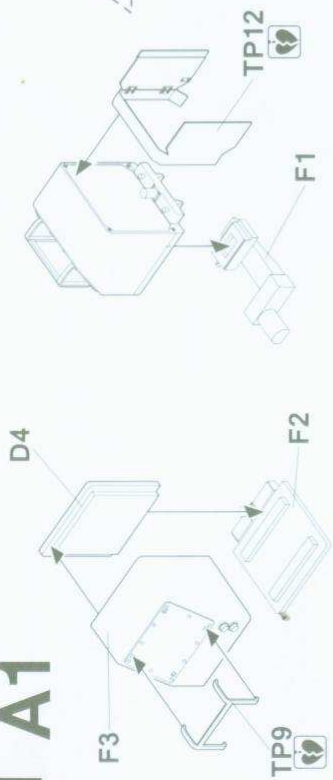




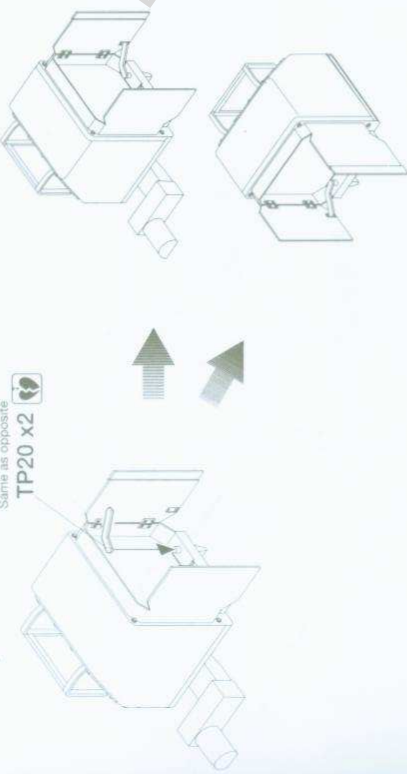




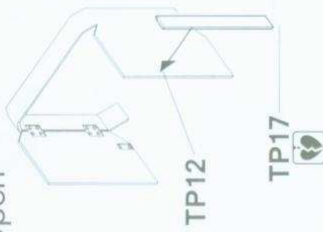
A1



Same as opposite
TP20 x2



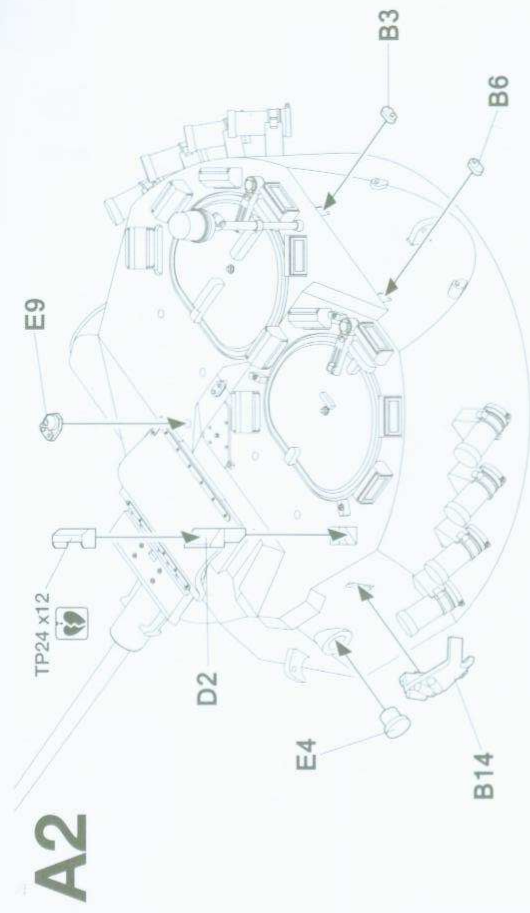
Open



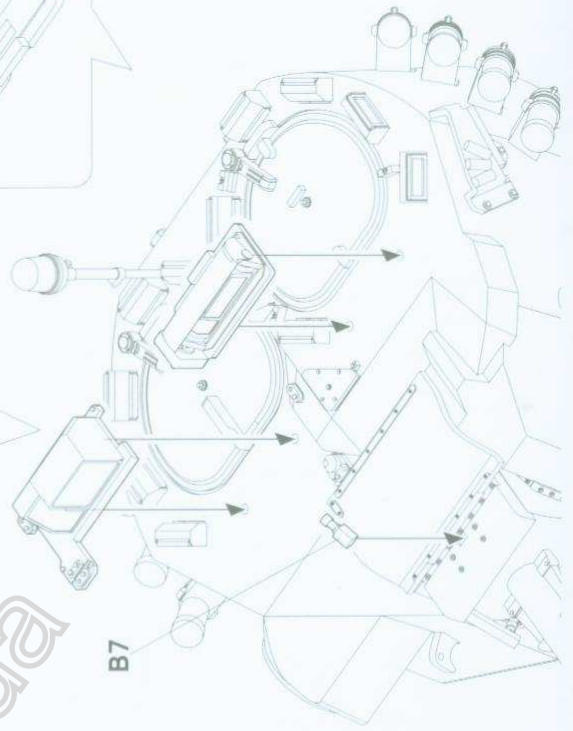
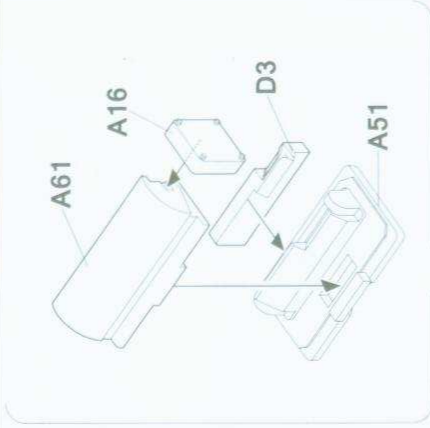
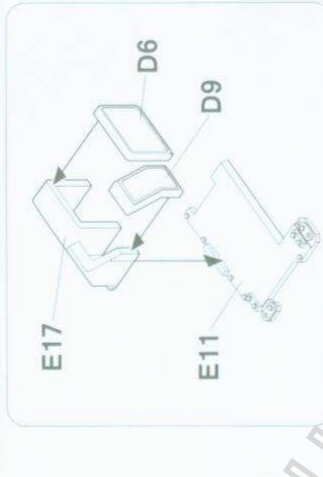
TP12

TP17

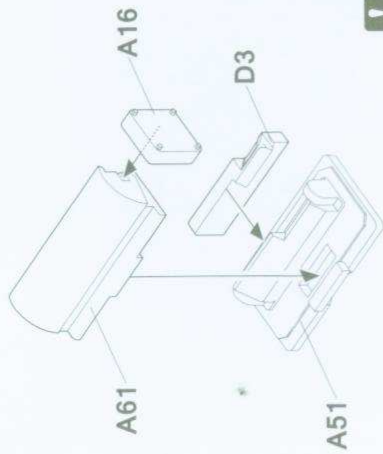
Closed



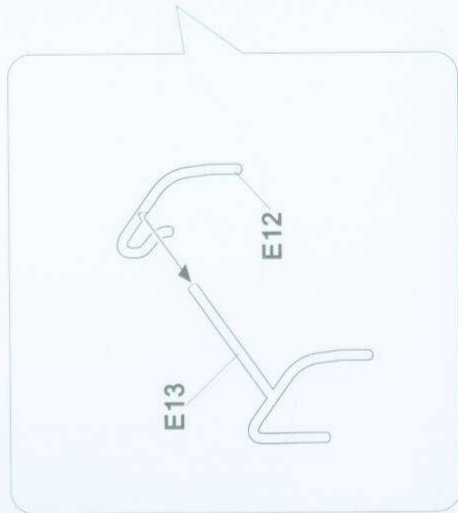
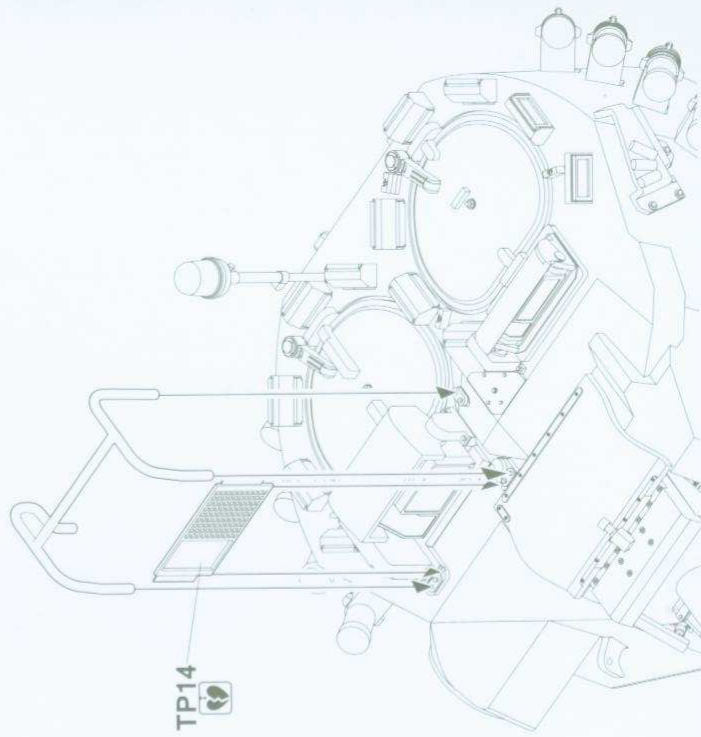
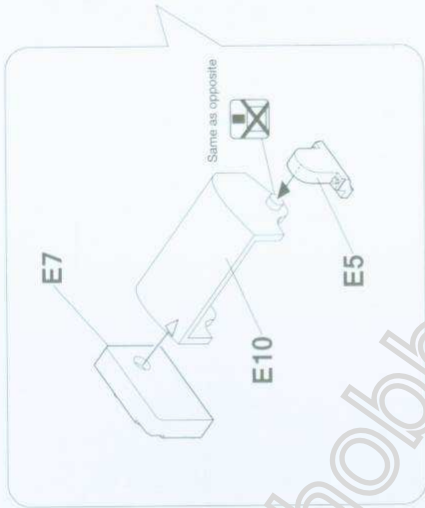
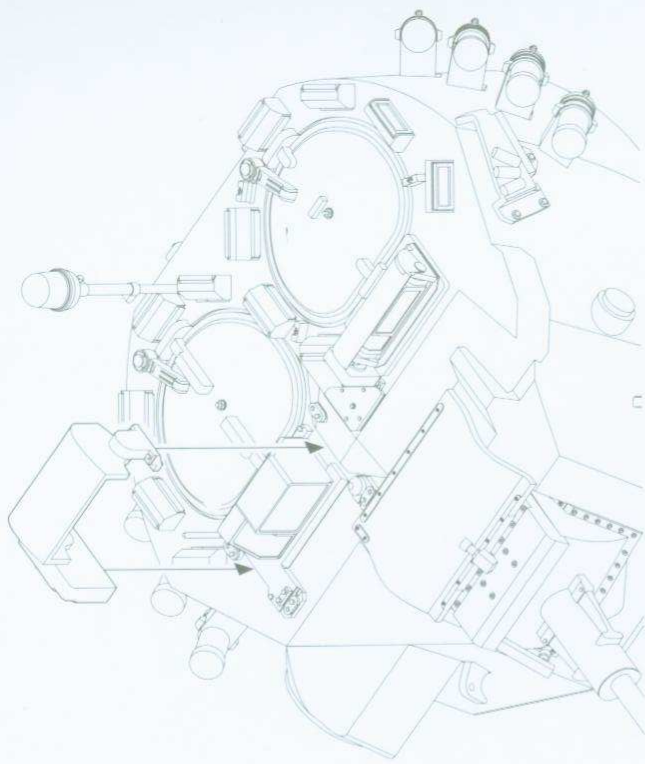
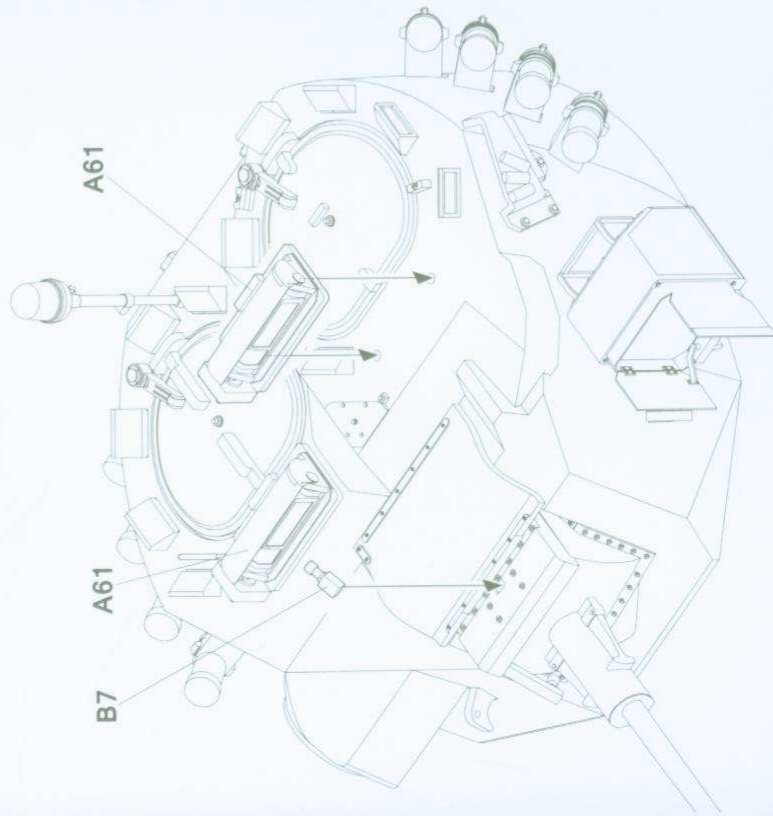
A2



B7

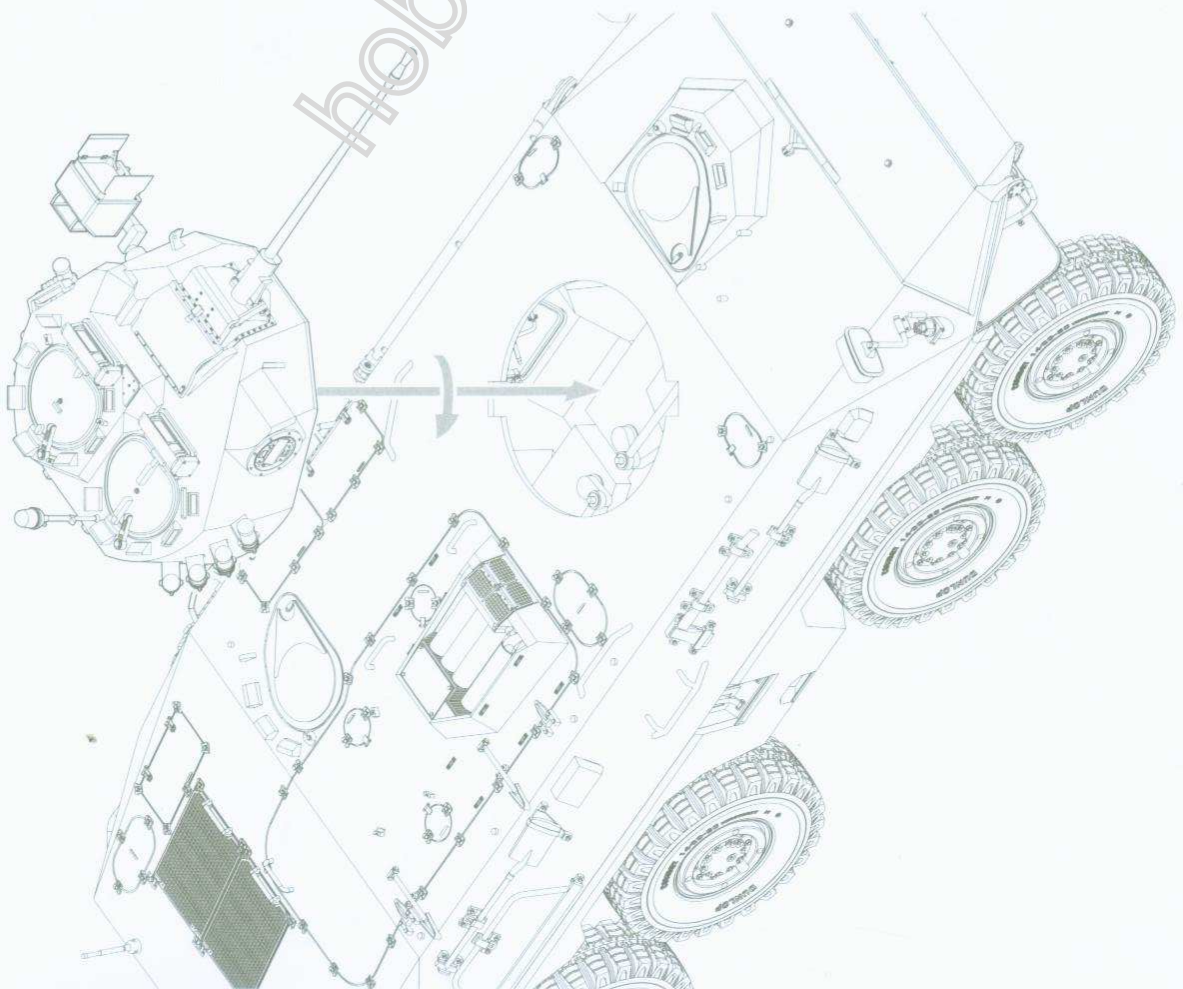


Make 2

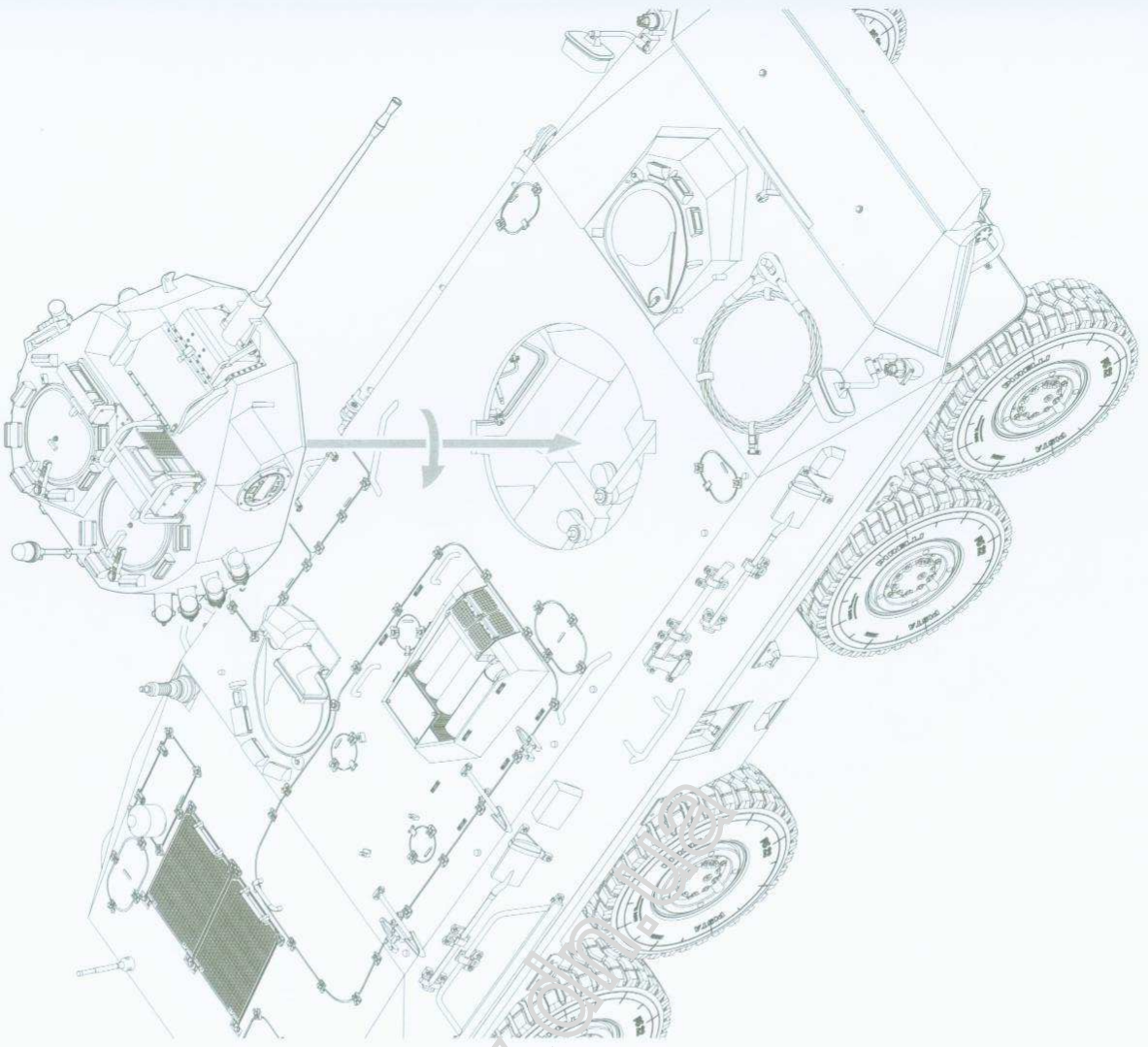


hobby.dn.ua

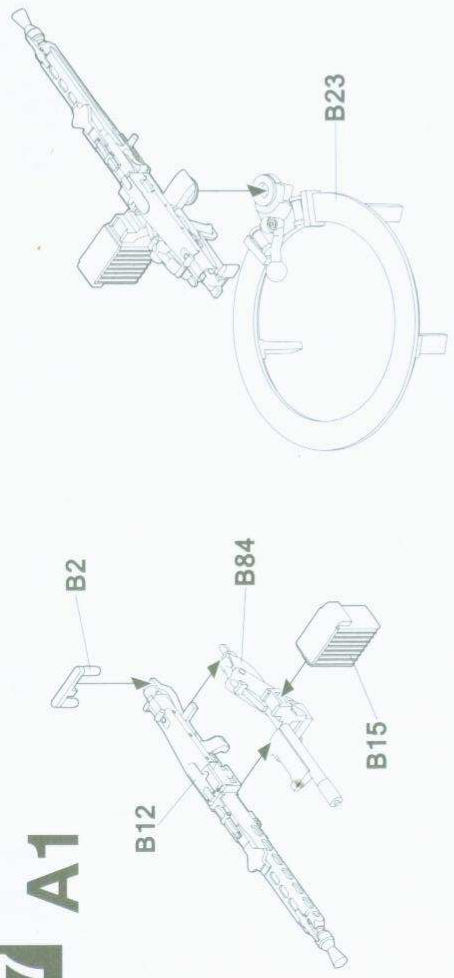
26 A1



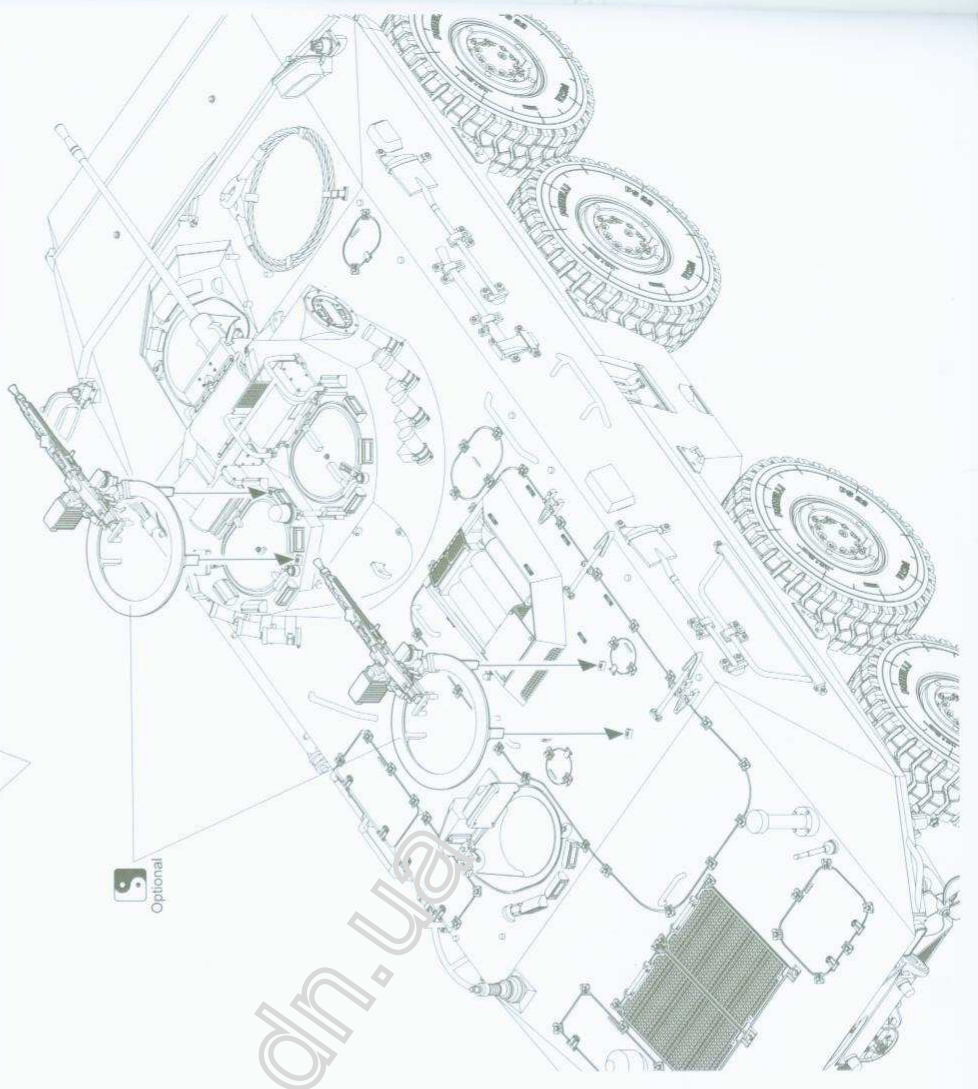
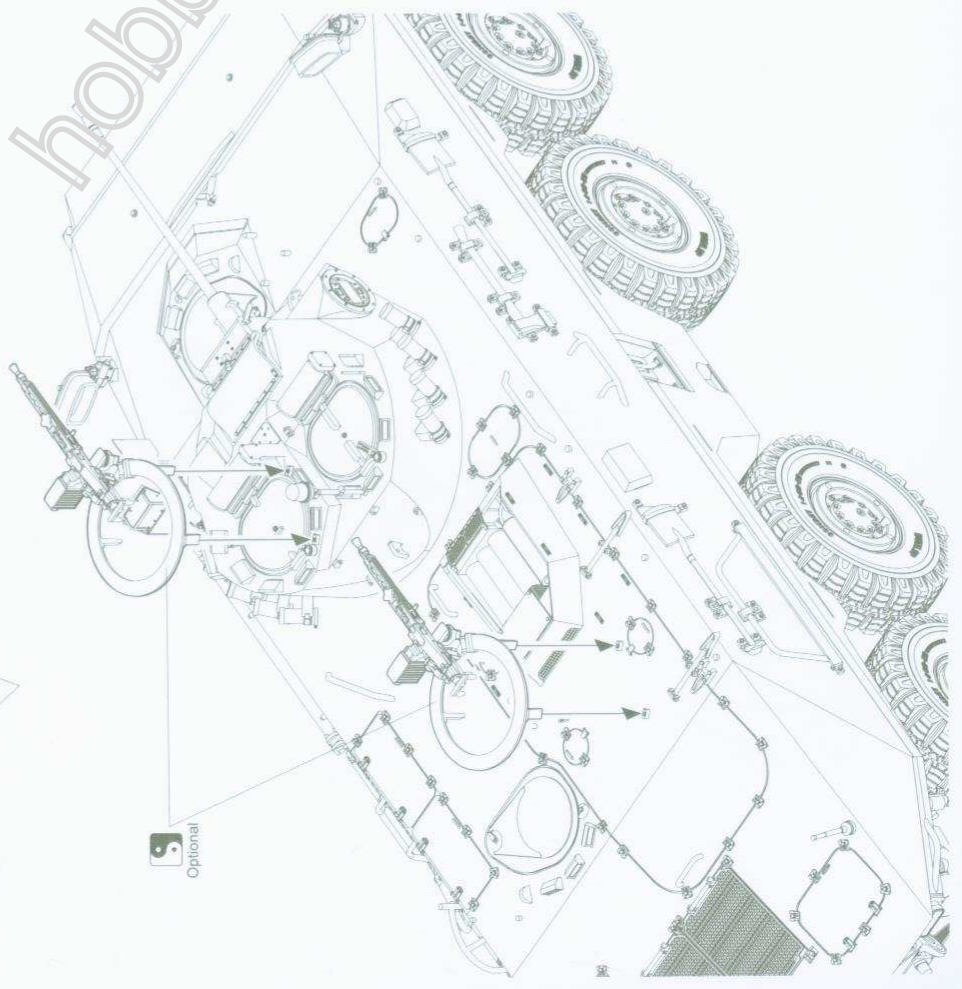
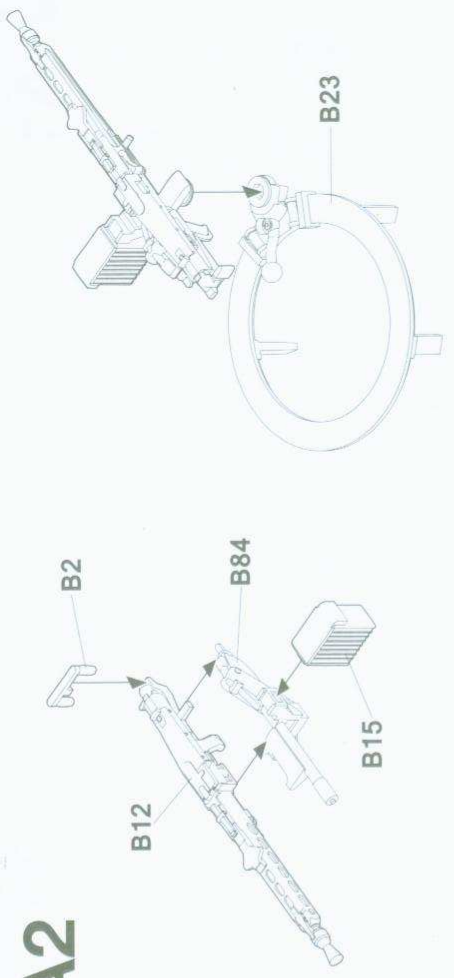
A2



A1



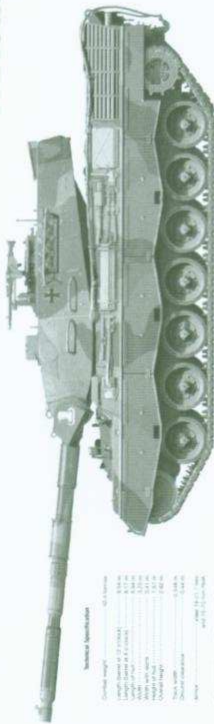
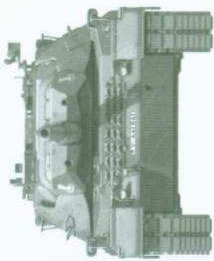
A2



MAIN BATTLE TANK

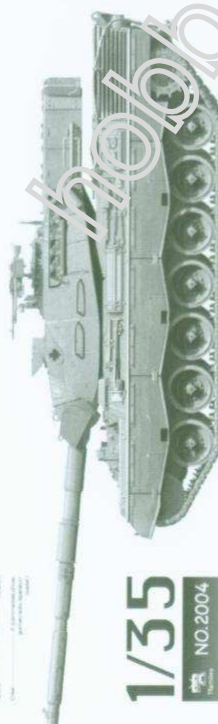
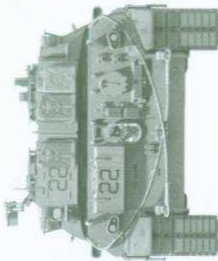
LEOPARD 1 A5/C2 2in1

RECORD OF ACHIEVEMENTS: PRECISION MODEL KIT
A BUILT TO ASSEMBLE PRECISION MODEL KIT
A BUILT TO ASSEMBLE PRECISION MODEL KIT
A BUILT TO ASSEMBLE PRECISION MODEL KIT



LEOPARD 1 A5/C2 2in1	
Country	FRANCE
Year	1970-1974
Weight	55,000 kg
Length	10,000 mm
Width	3,700 mm
Height	3,000 mm
Engine	2 x 1,200 hp
Max speed	60 km/h
Range	500 km
Armament	1 x 120 mm tank gun
Protection	100 mm
Operator	4

● DETAILED STATIC DISPLAY PLASTIC MODEL
● ALL THE WHEELS & SUSPENSION ARE MOVABLE
● 280+ PARTS INCLUDED
● 280+ PARTS INCLUDED
● 4 TYPES OF MARKINGS
● 4 TYPES OF MARKINGS
● 4 TYPES OF MARKINGS
● 4 TYPES OF MARKINGS



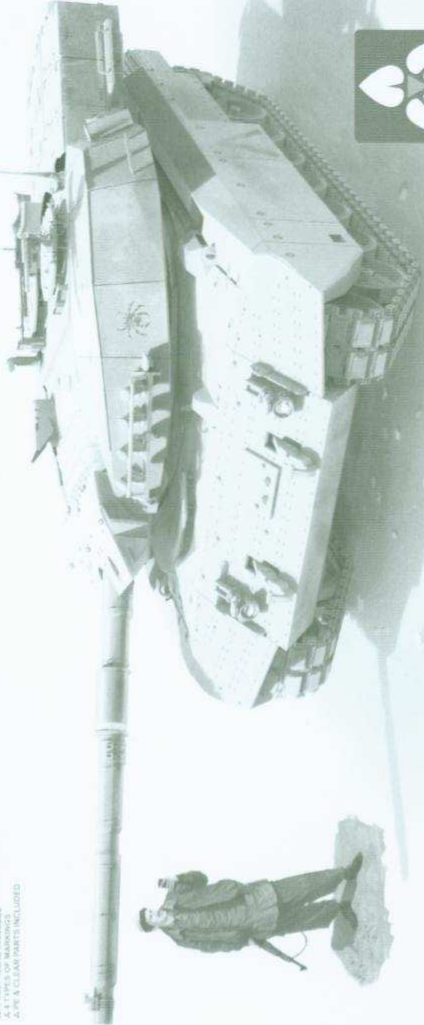
1/35
NO.2004



I-1 CANADIAN MAIN BATTLE TANK

LEOPARD C2 MEXAS

● DETAILED STATIC DISPLAY PLASTIC MODEL
● ALL THE WHEELS & SUSPENSION ARE MOVABLE
● 280+ PARTS INCLUDED
● 280+ PARTS INCLUDED
● 4 TYPES OF MARKINGS
● 4 TYPES OF MARKINGS
● 4 TYPES OF MARKINGS
● 4 TYPES OF MARKINGS



1/35
NO.2003



BUNDESWEHR

T3 TRANSPORTER BUS

● READY TO ASSEMBLE PRECISION MODEL KIT
● BUILT TO ASSEMBLE PRECISION MODEL KIT
● BUILT TO ASSEMBLE PRECISION MODEL KIT
● BUILT TO ASSEMBLE PRECISION MODEL KIT



● DETAILED STATIC DISPLAY PLASTIC MODEL
● ALL THE WHEELS ARE MOVABLE
● 280+ PARTS INCLUDED
● 280+ PARTS INCLUDED
● 4 TYPES OF MARKINGS
● 4 TYPES OF MARKINGS
● 4 TYPES OF MARKINGS
● 4 TYPES OF MARKINGS

1/35
NO.2013



BUNDESWEHR

T3 TRANSPORTER TRUCKS

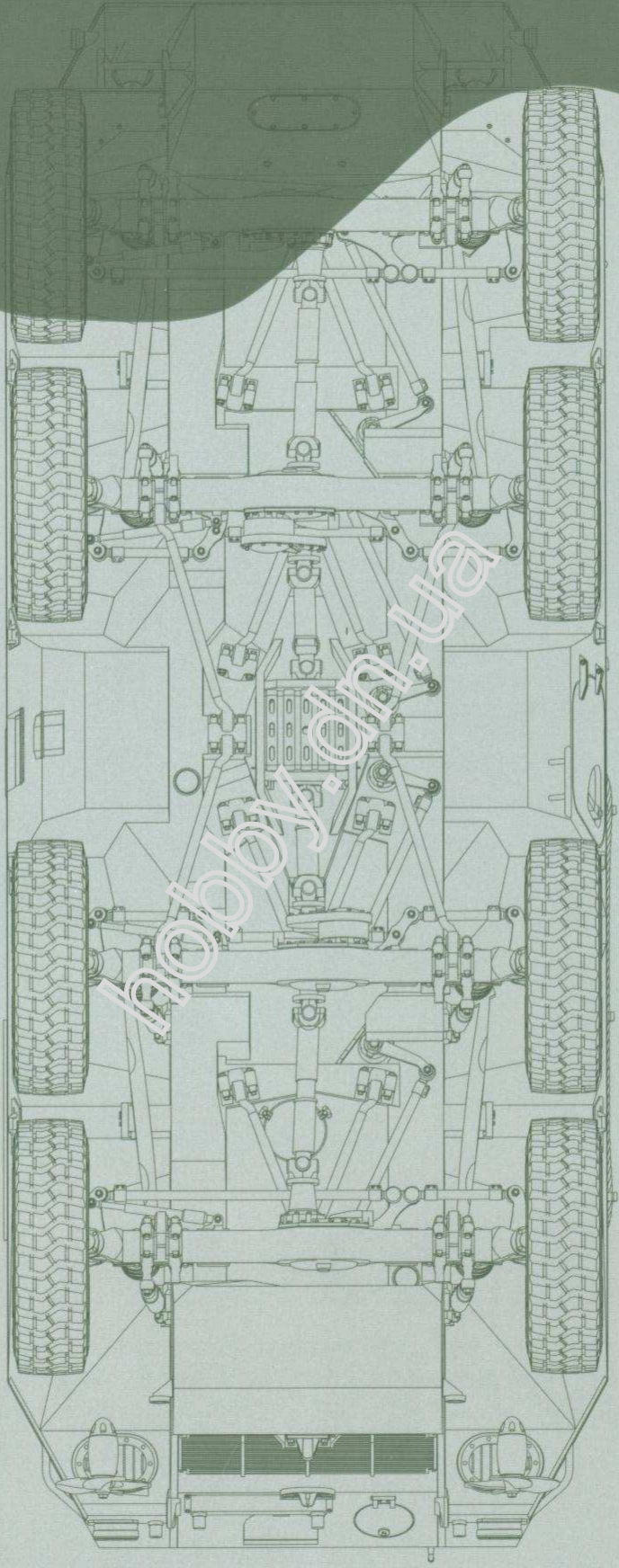
● READY TO ASSEMBLE PRECISION MODEL KIT
● BUILT TO ASSEMBLE PRECISION MODEL KIT
● BUILT TO ASSEMBLE PRECISION MODEL KIT
● BUILT TO ASSEMBLE PRECISION MODEL KIT



● DETAILED STATIC DISPLAY PLASTIC MODEL
● ALL THE WHEELS ARE MOVABLE
● 280+ PARTS INCLUDED
● 280+ PARTS INCLUDED
● 4 TYPES OF MARKINGS
● 4 TYPES OF MARKINGS
● 4 TYPES OF MARKINGS
● 4 TYPES OF MARKINGS

1/35
NO.2014





2015/2017