

## READ BEFORE ASSEMBLY

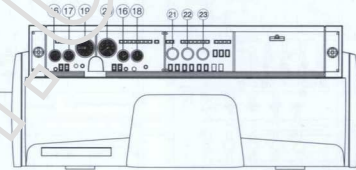
### CAUTION

- Read carefully and fully understand the instructions before commencing assembly. A supervising adult should also read the instructions if a child assembles the model.
- When assembling this kit, tools including knives used. Extra care should be taken to avoid personal injury.
- Keep out of reach of small children. Children must not be allowed to suck any part, or pull vinyl bag over their heads.



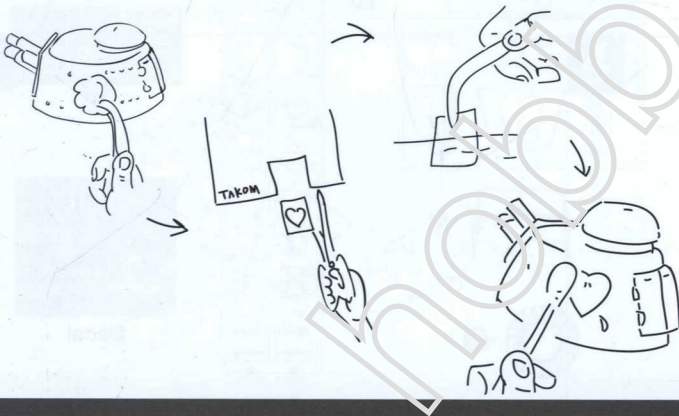
### PAINTS REQUIRED

- Color info and profiles by AMMO MIG.

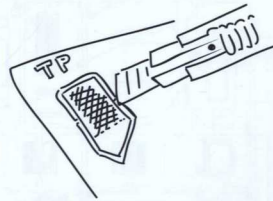


### APPLYING DECALS

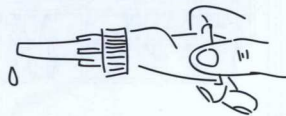
1. Clean the model surface with a wet cloth.
2. Cut out each decal design from sheet, and dip it in tepid water for 15-20 sec.
3. Hold the backing sheet edge and slide decal onto the model.
4. Move decal into position by wetting decal with finger.
5. Press decal gently down with a soft cloth until excess water and air bubbles are gone.



### REMOVING PE



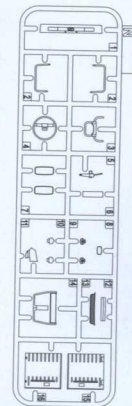
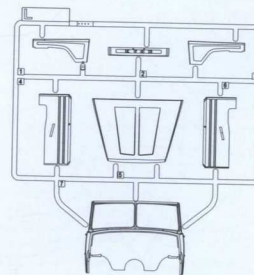
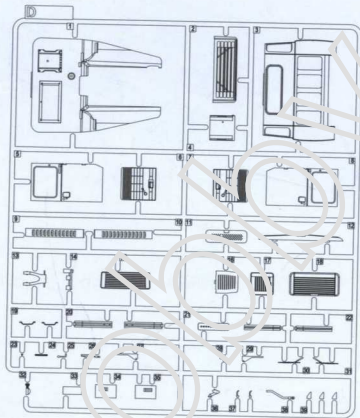
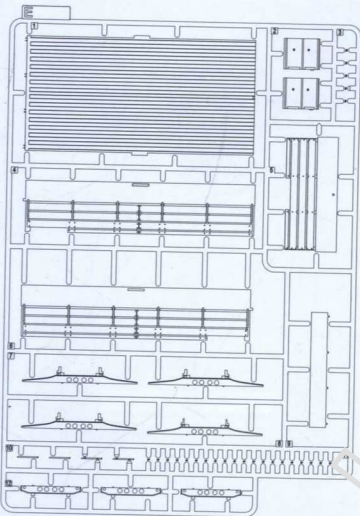
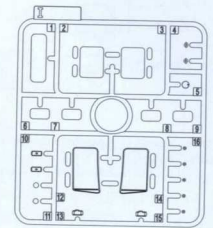
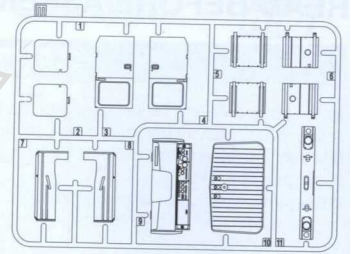
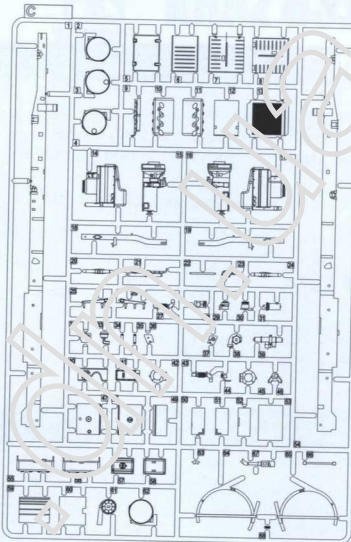
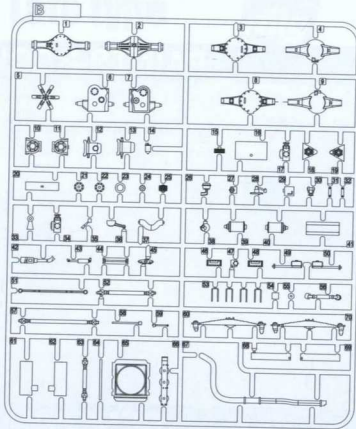
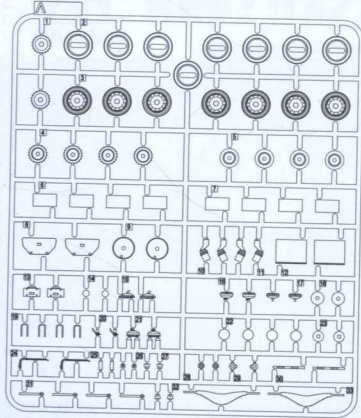
Be careful not to hurt when removing PE parts.



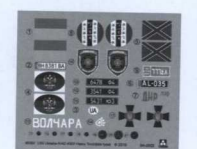
Secure using instant glue (not included).



Finish using file.

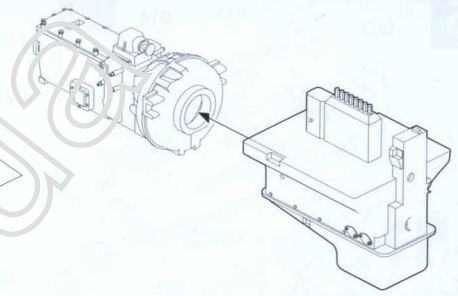
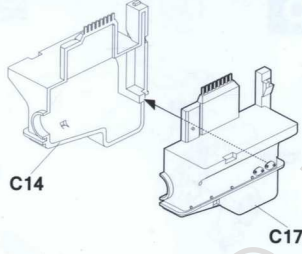
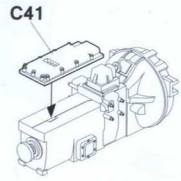
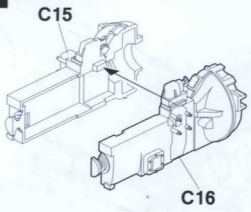


TP



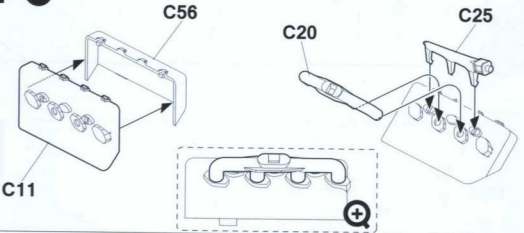
Decal

# 1 Engine Assembly

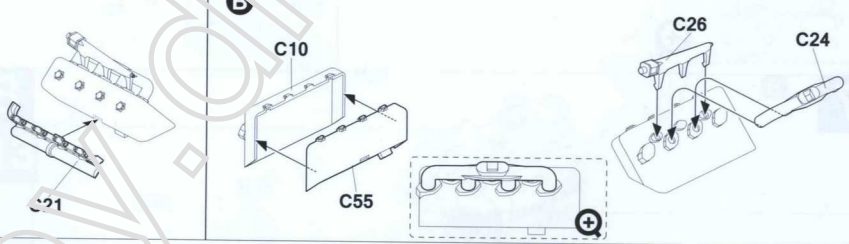


# 2

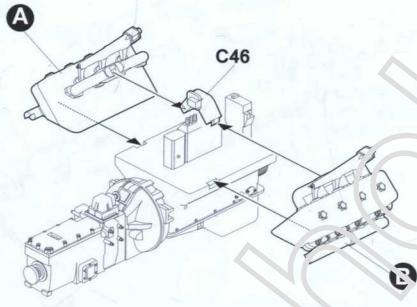
A



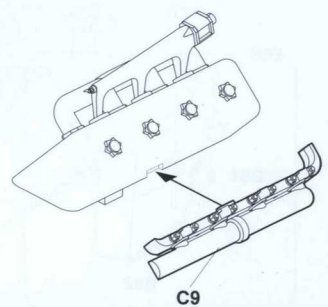
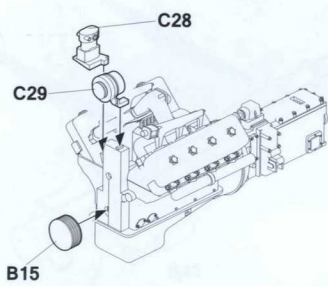
B



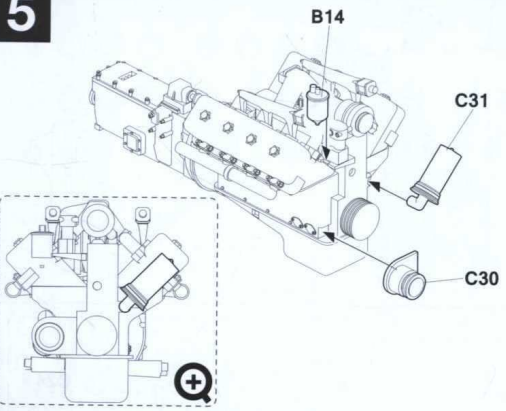
# 3



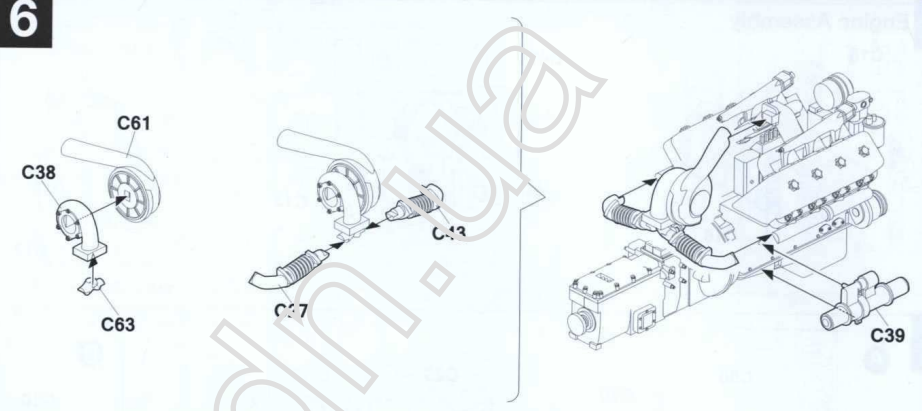
# 4



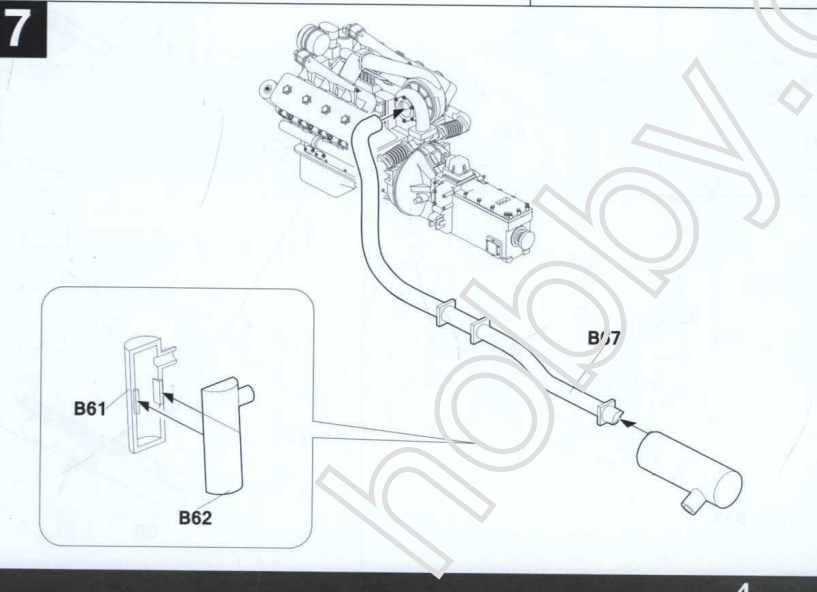
5



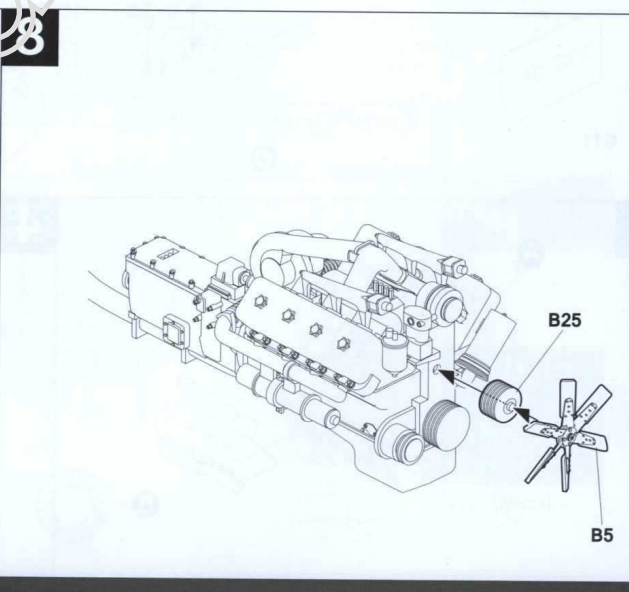
6



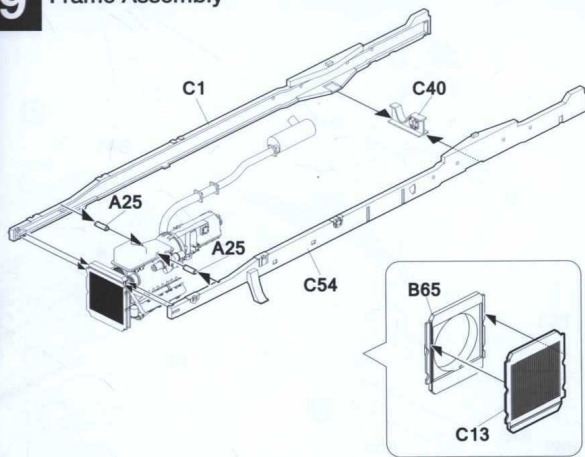
7



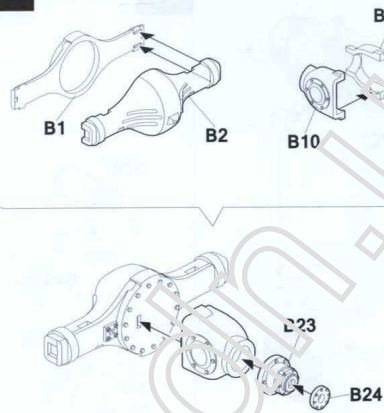
8



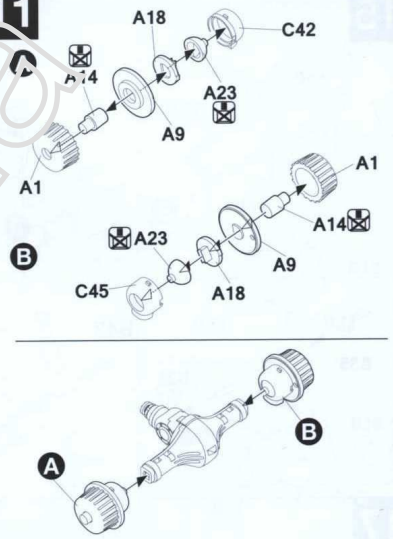
# 9 Frame Assembly



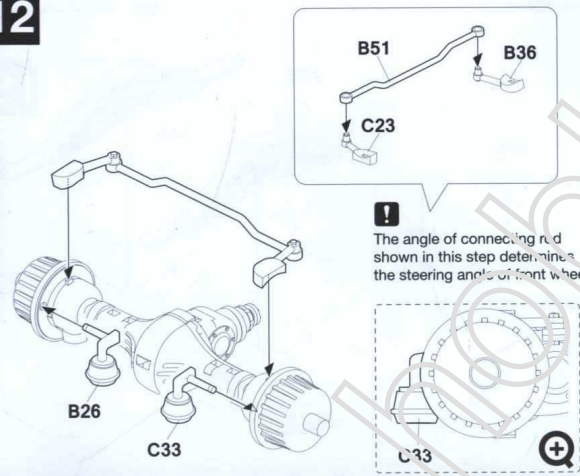
# 10



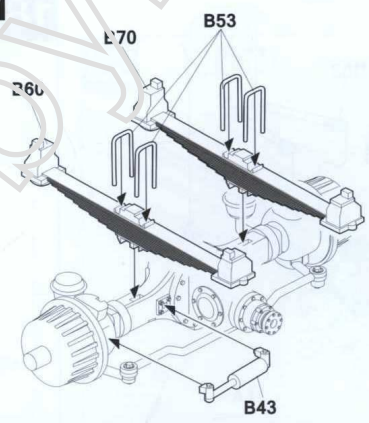
# 11



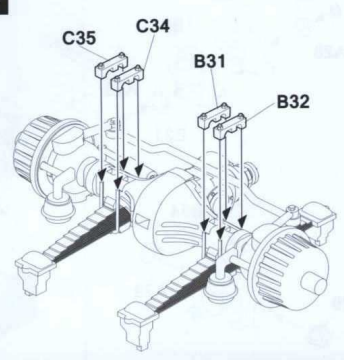
# 12



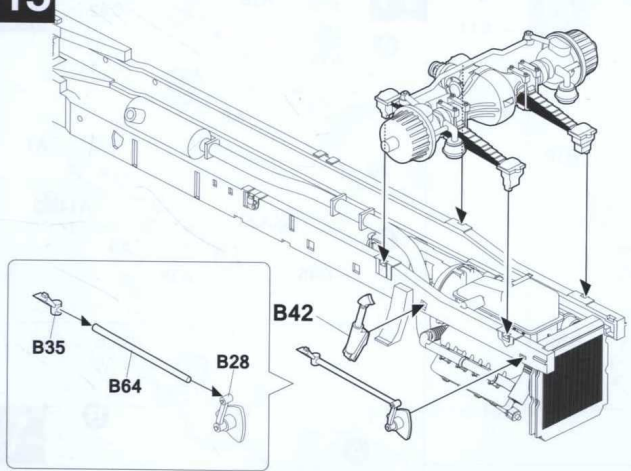
# 13



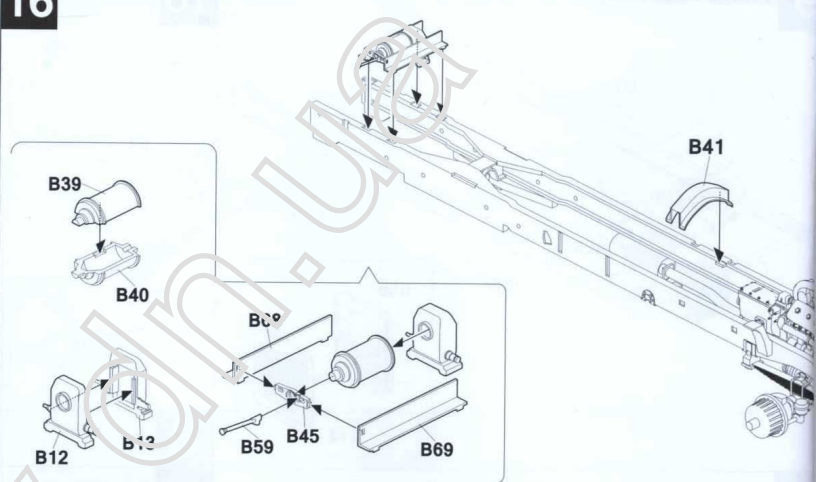
# 14



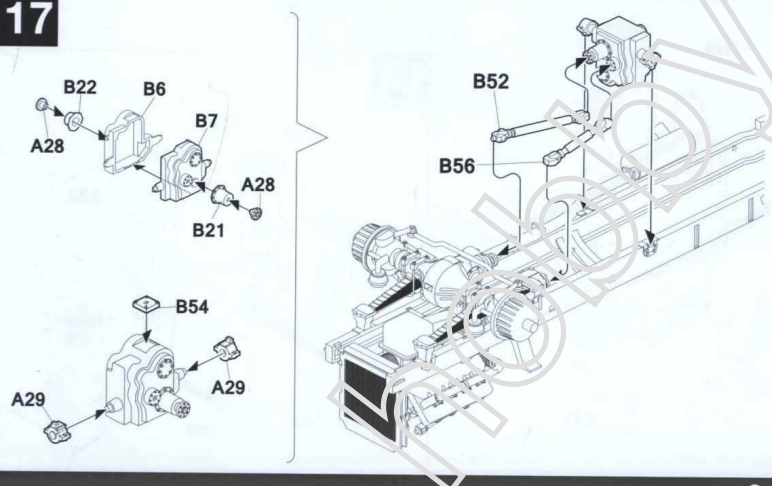
15



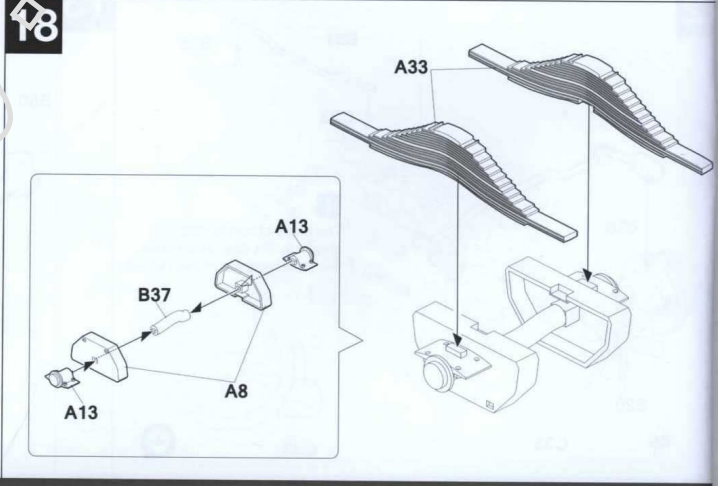
16



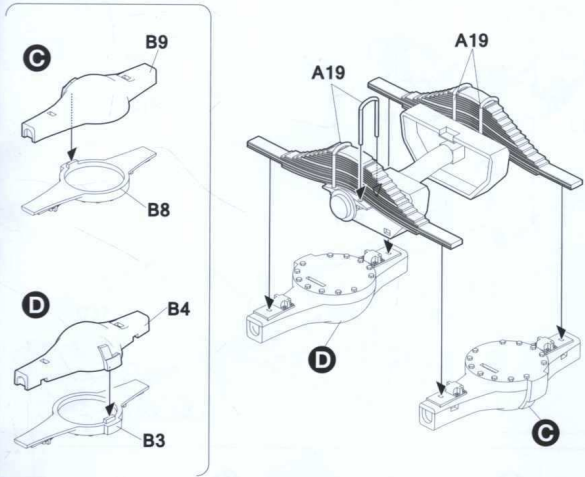
17



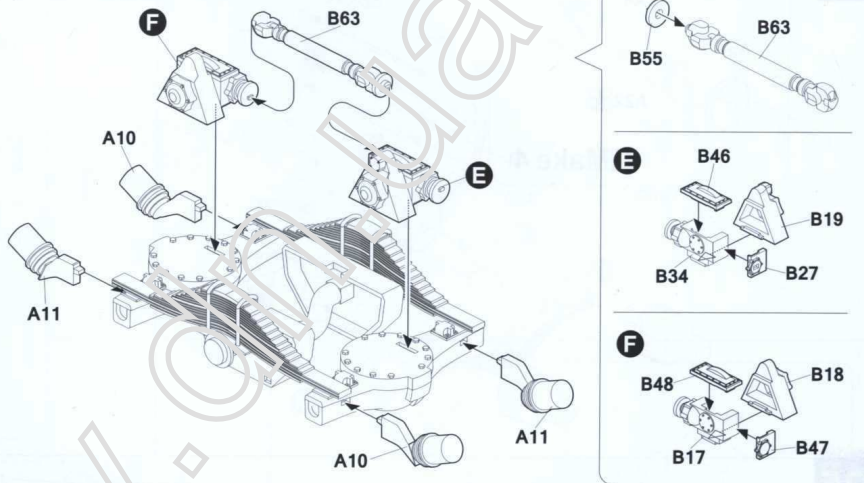
18



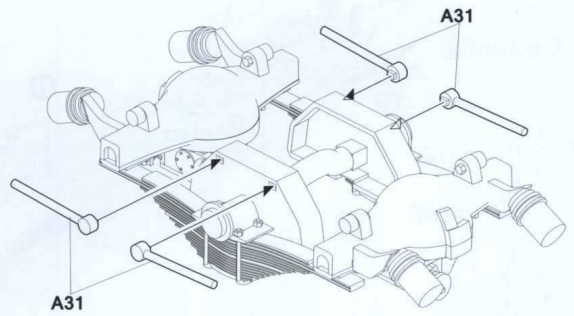
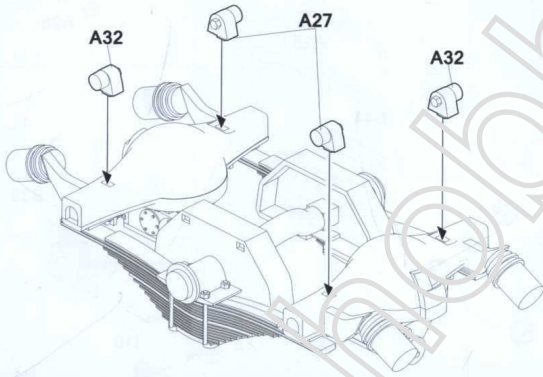
19



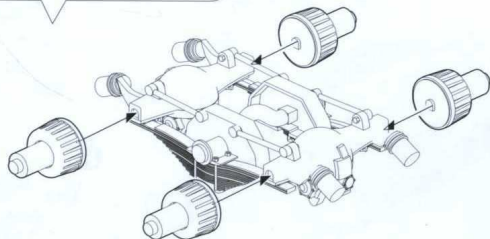
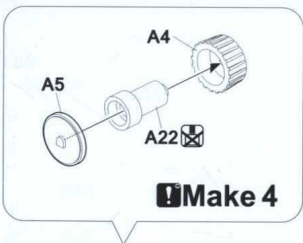
20



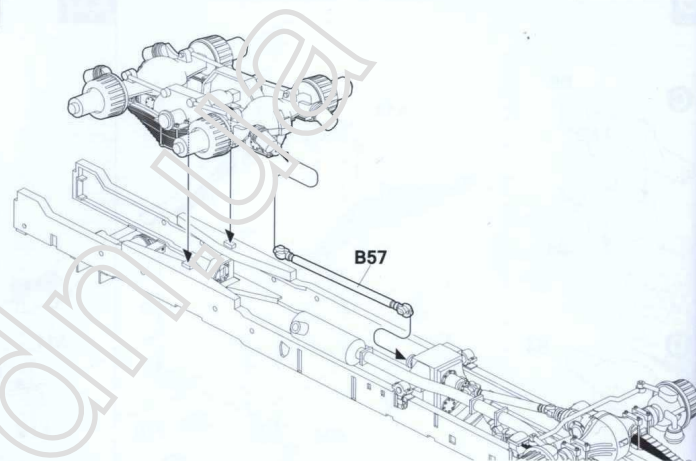
21



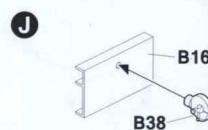
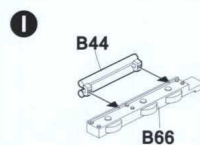
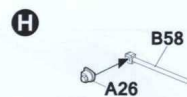
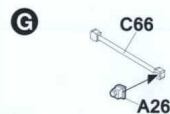
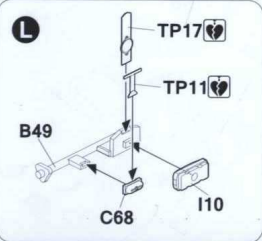
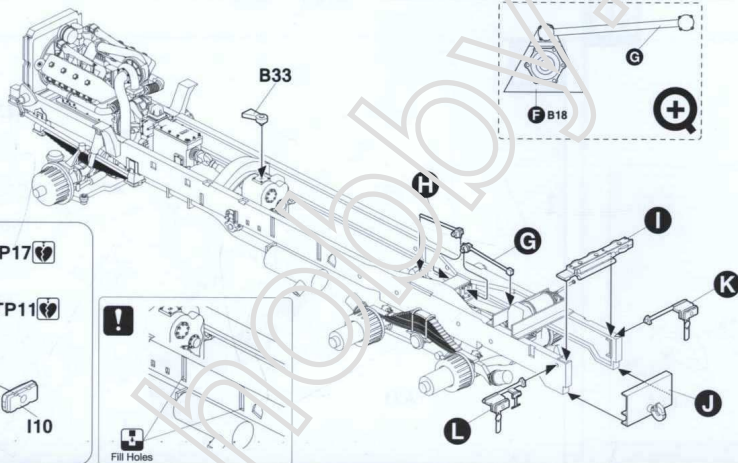
23



24

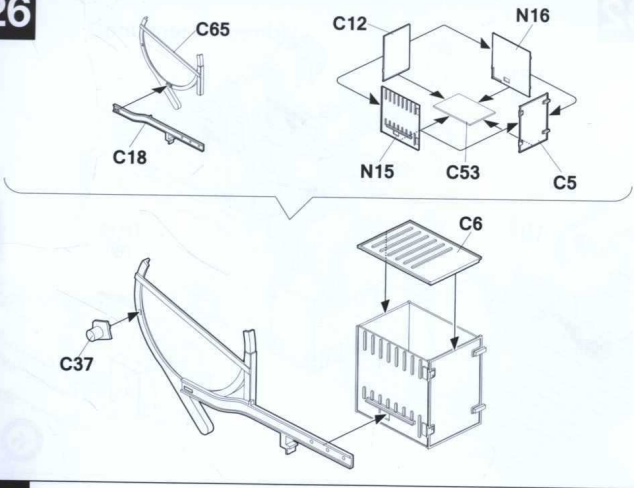


25

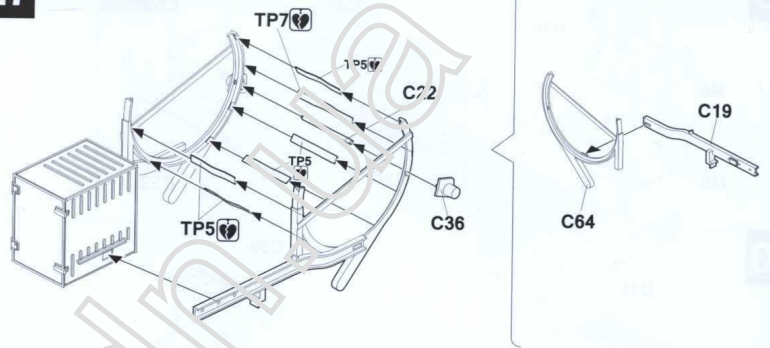




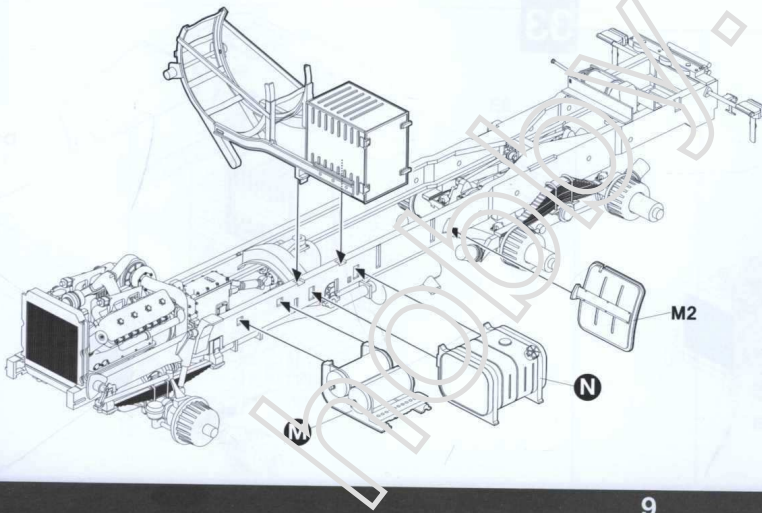
26



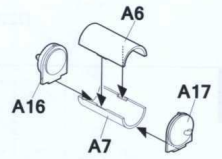
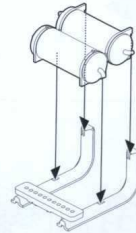
27



28

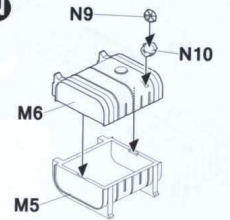
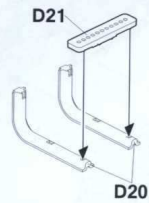


M

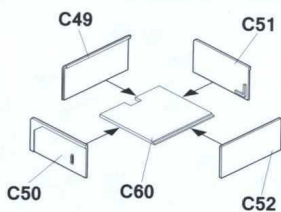
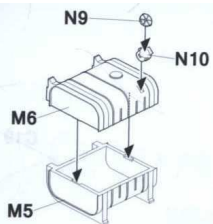


Make 2

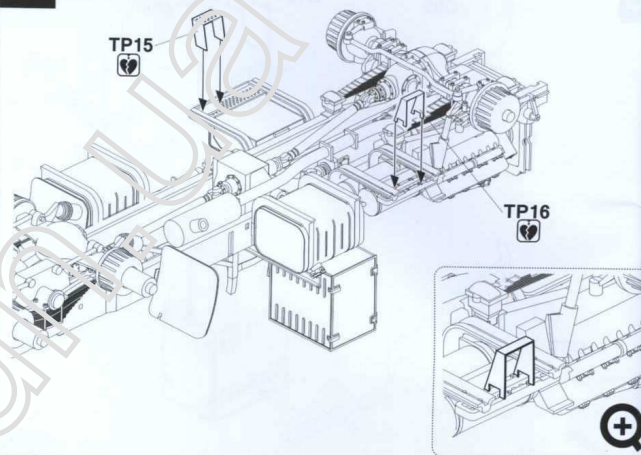
N



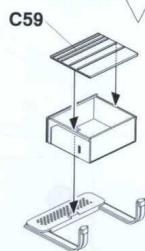
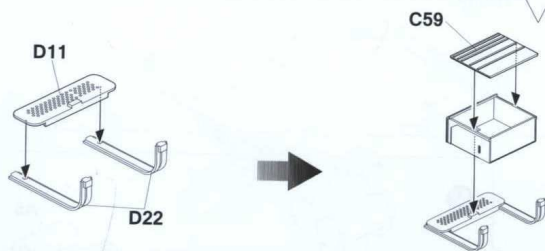
29



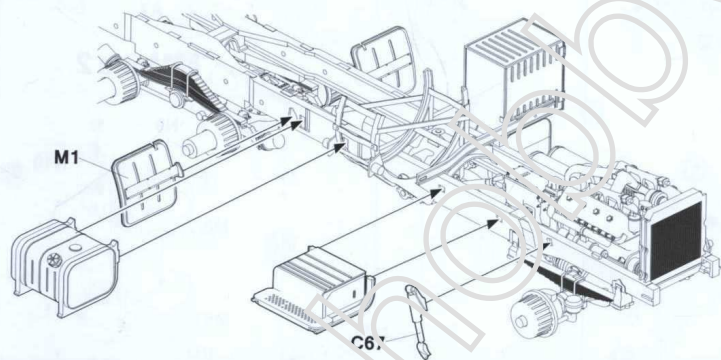
32



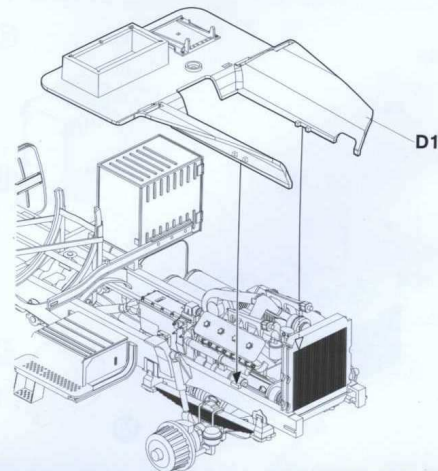
30



31

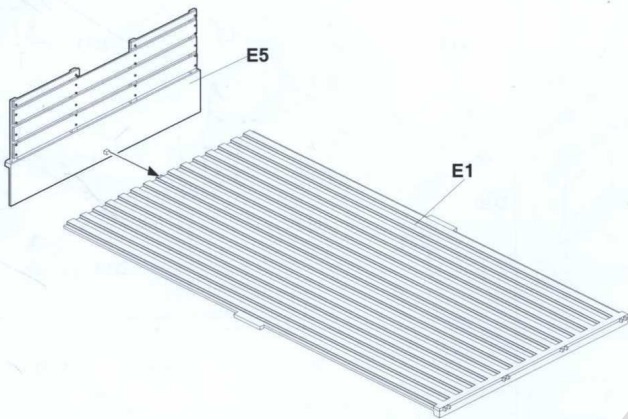


33

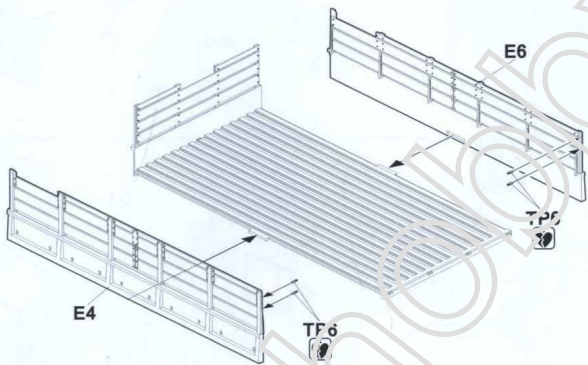


34

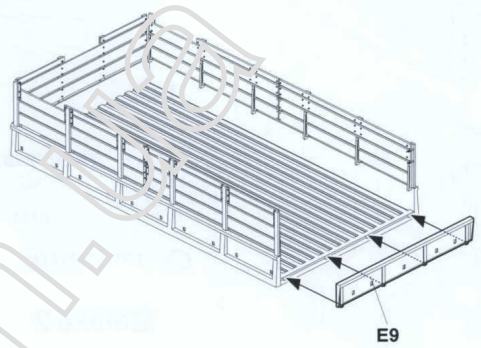
Container Assembly



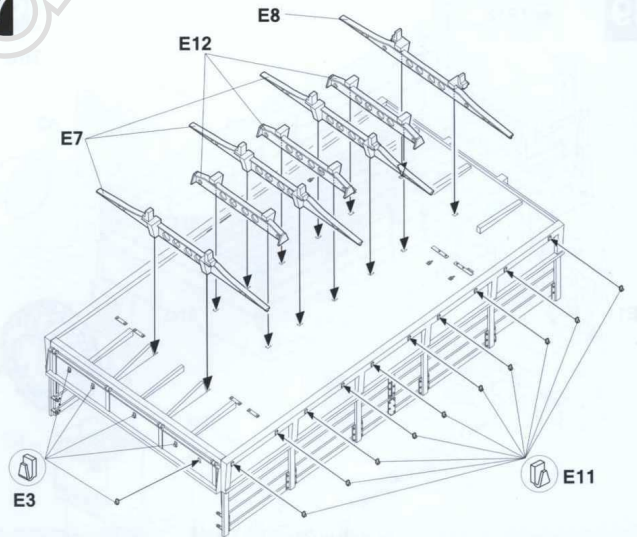
35



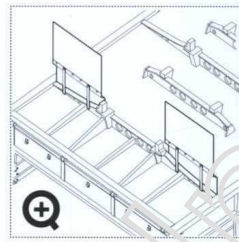
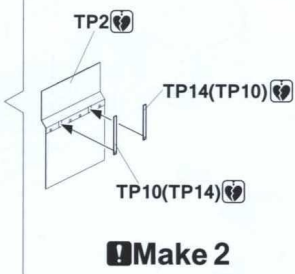
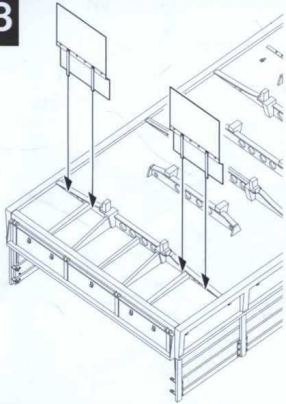
36



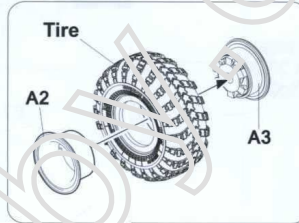
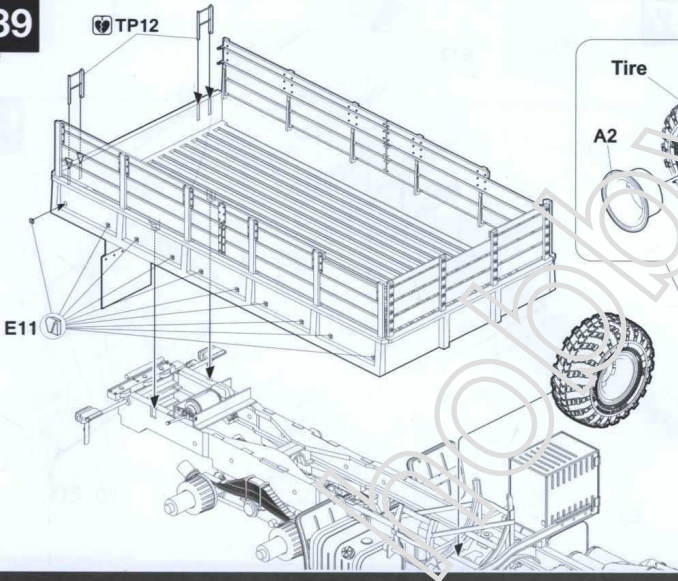
37



38

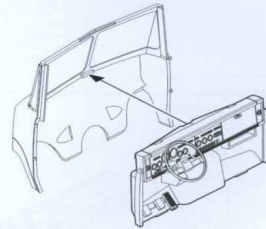
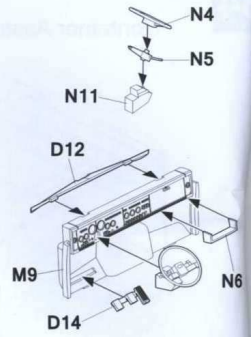
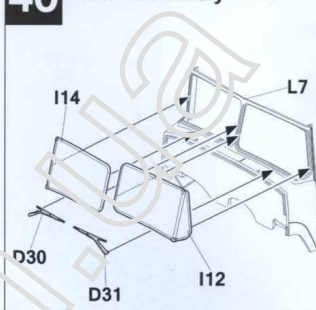


39

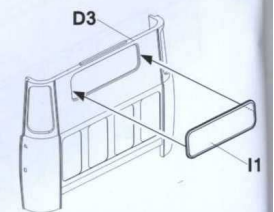
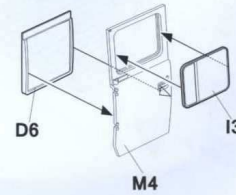


40

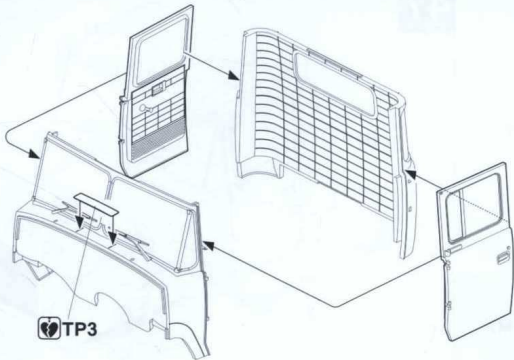
Cab Assembly



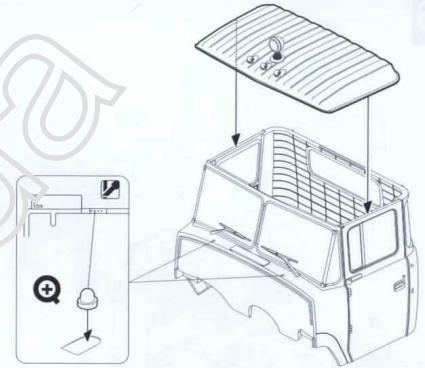
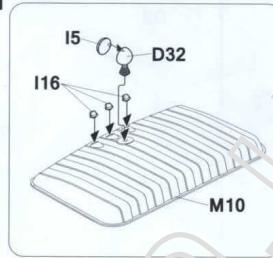
41



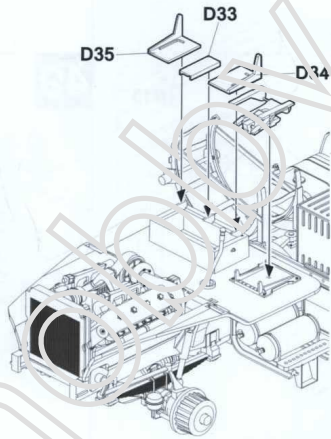
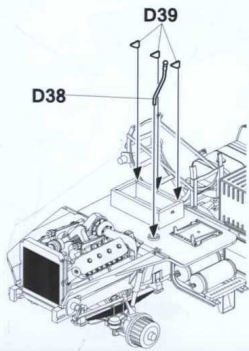
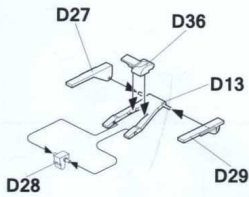
42



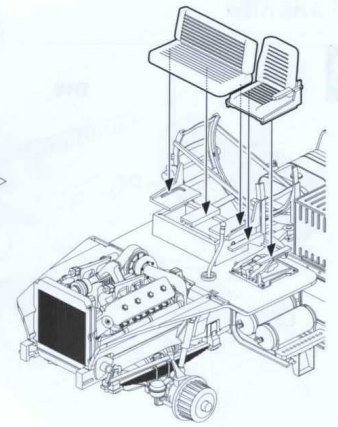
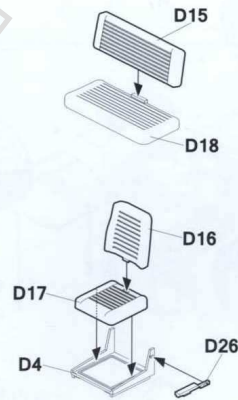
43



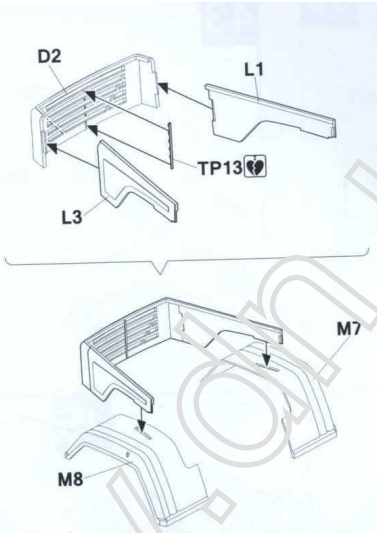
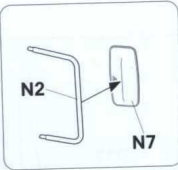
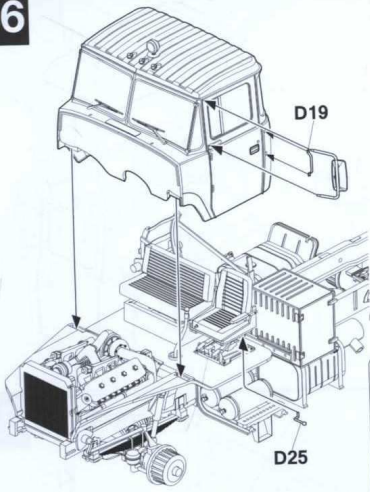
44



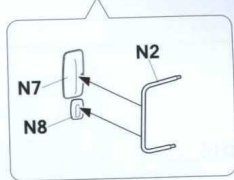
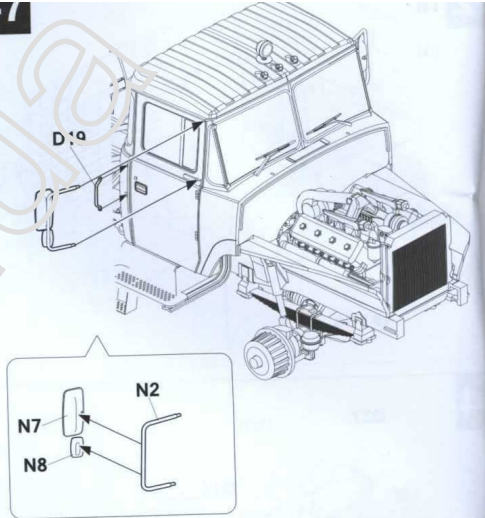
45



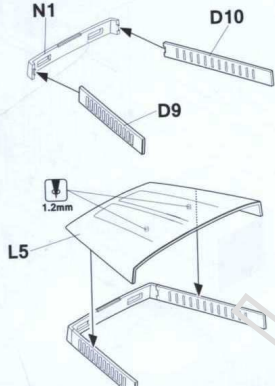
46



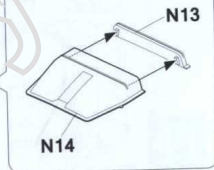
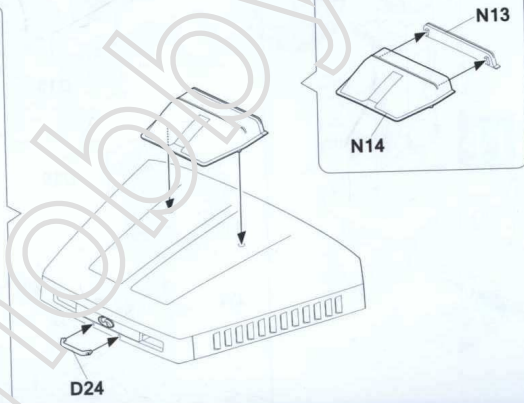
47



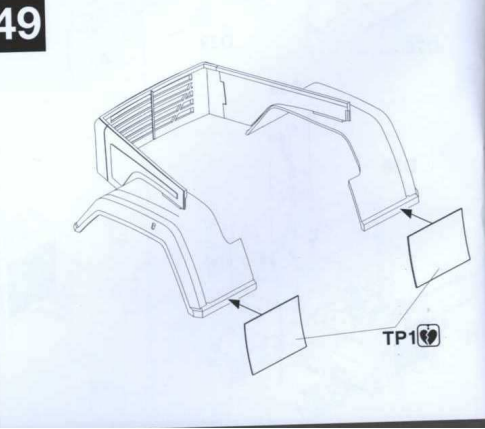
48



1.2mm

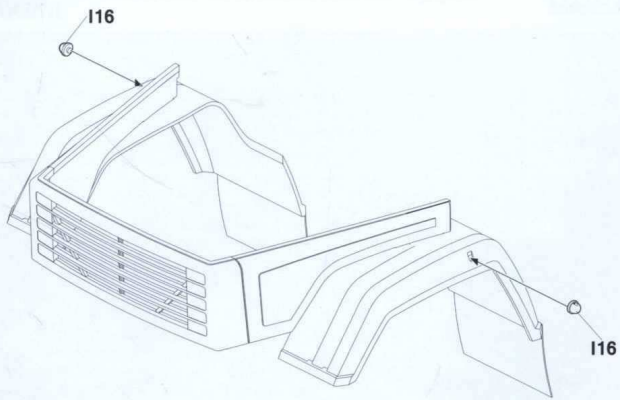


49

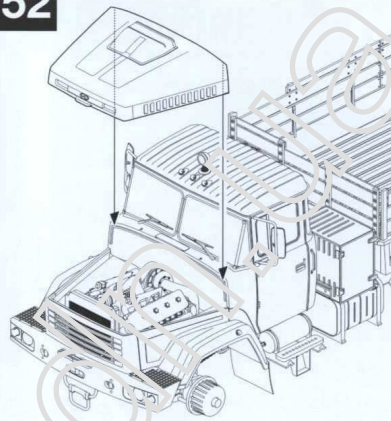


TP1

50



52



51

