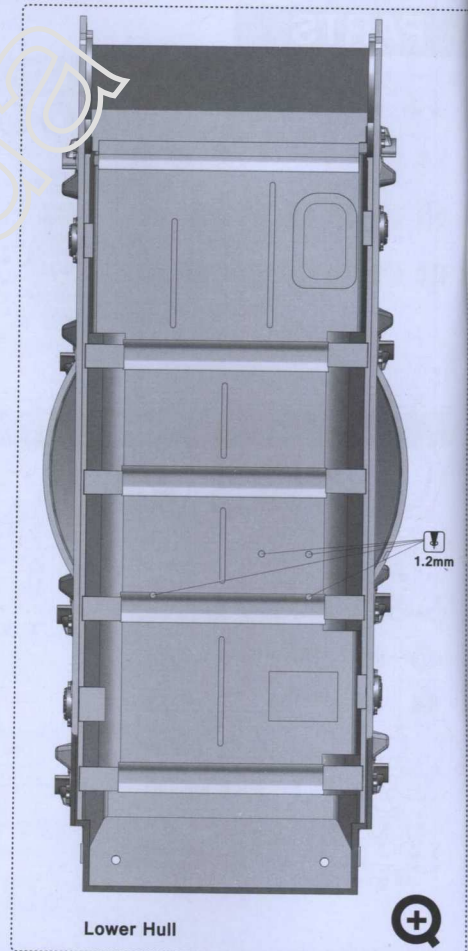
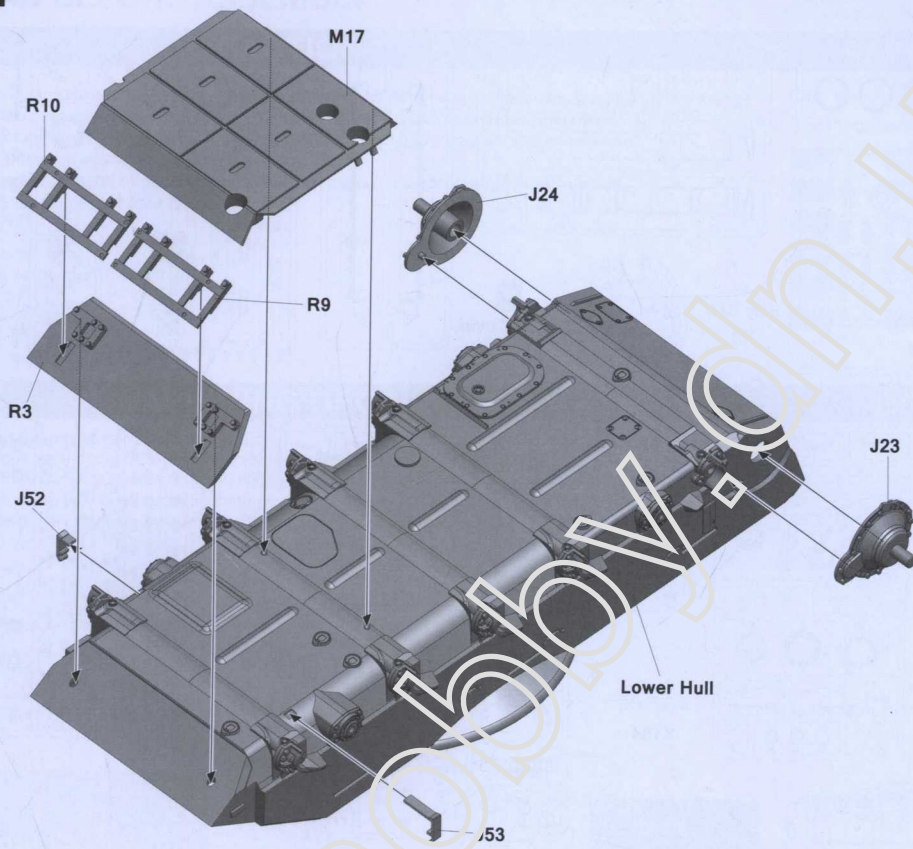
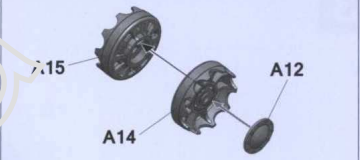
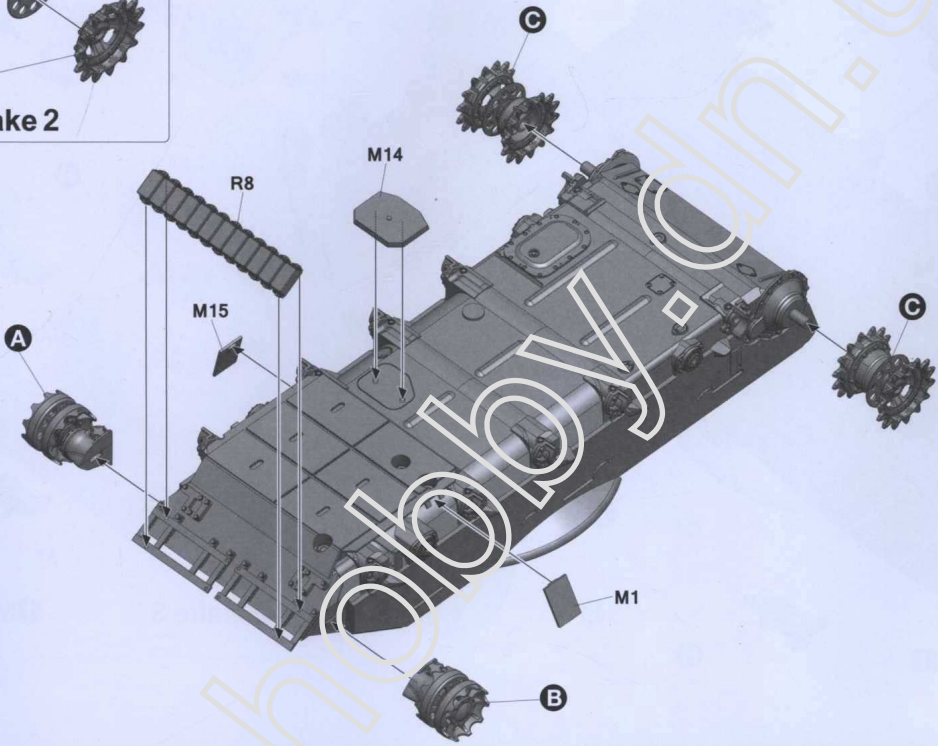
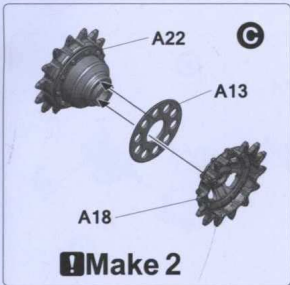




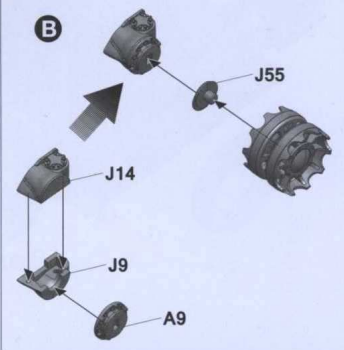
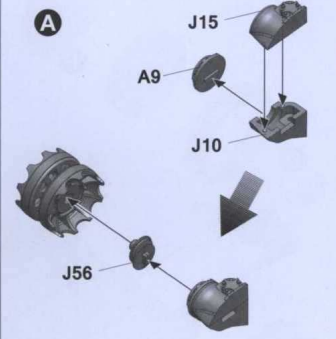
1



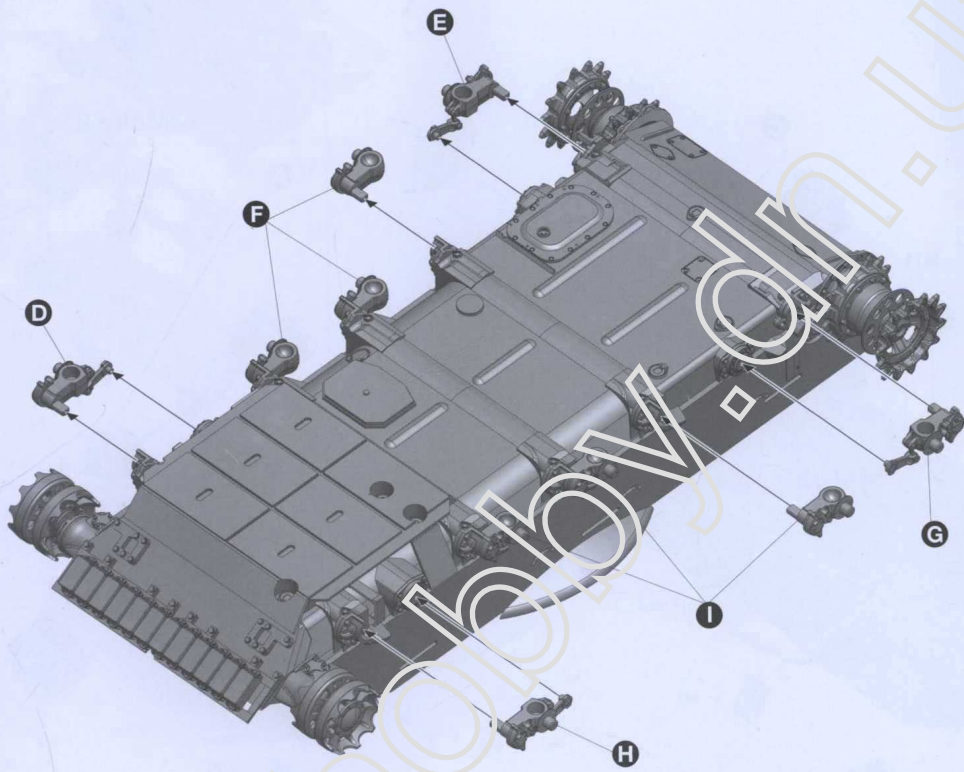
2



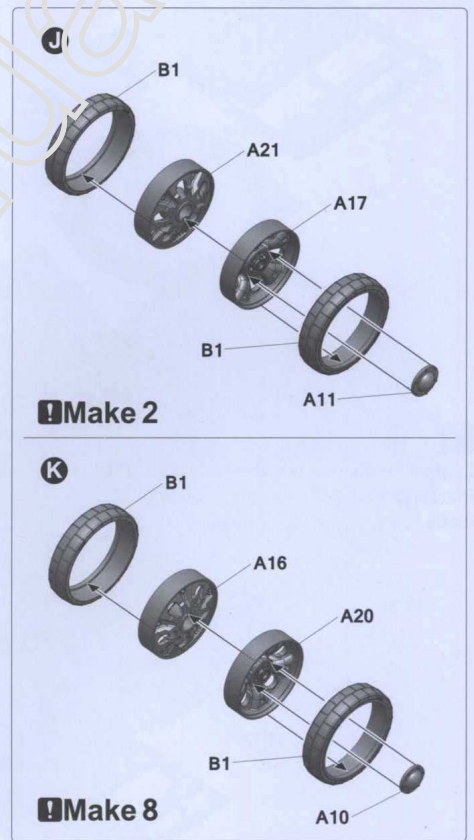
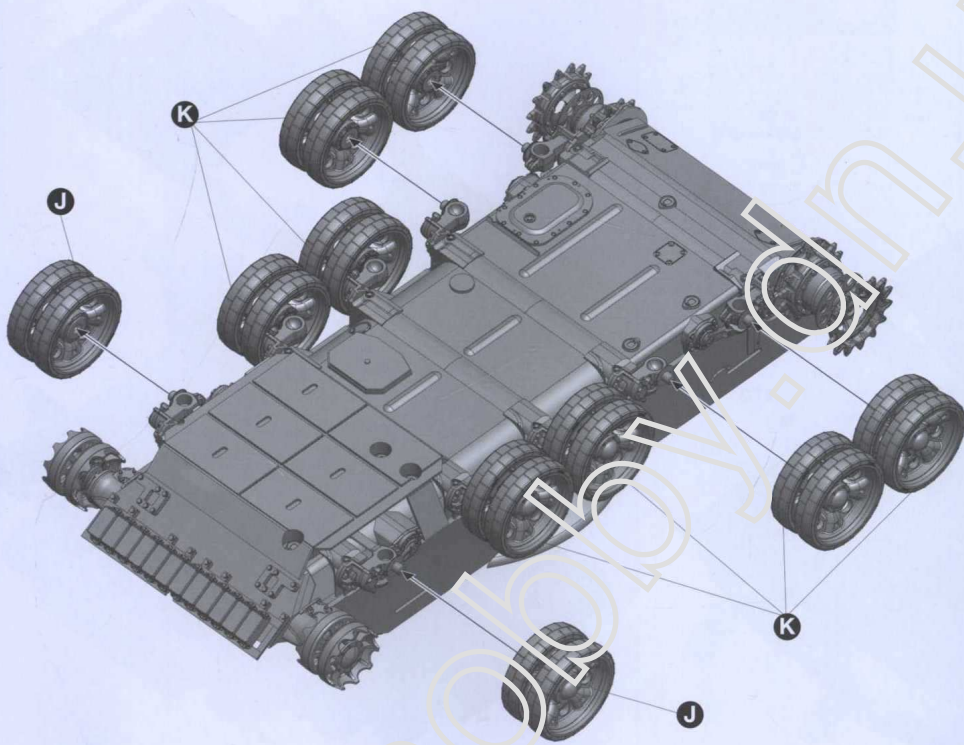
Make 2



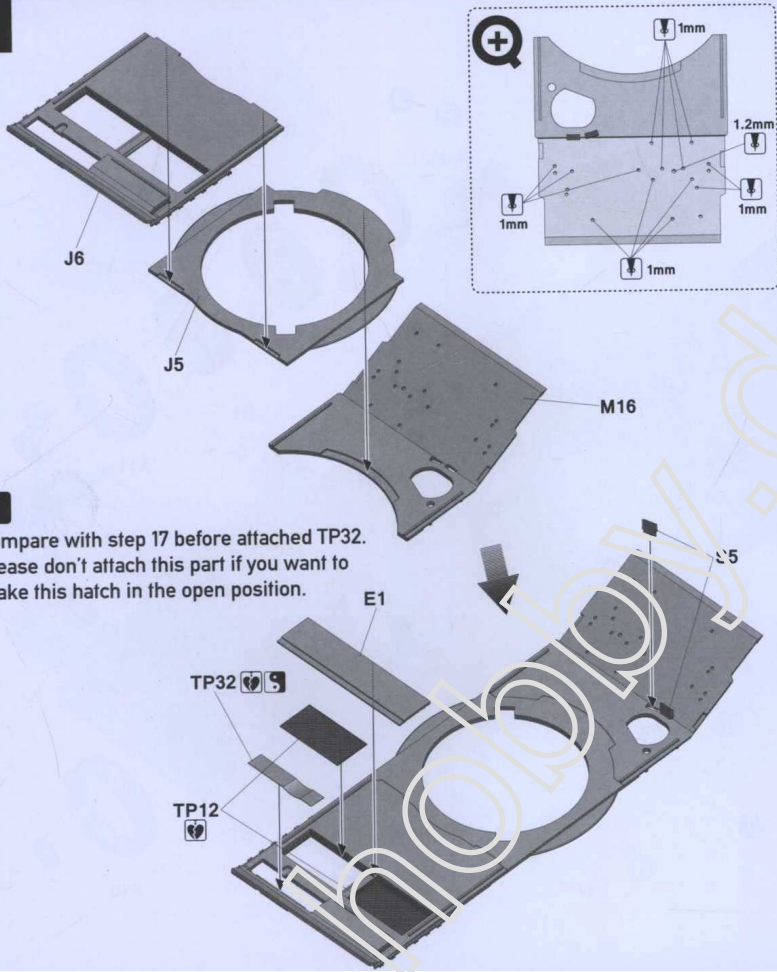
3



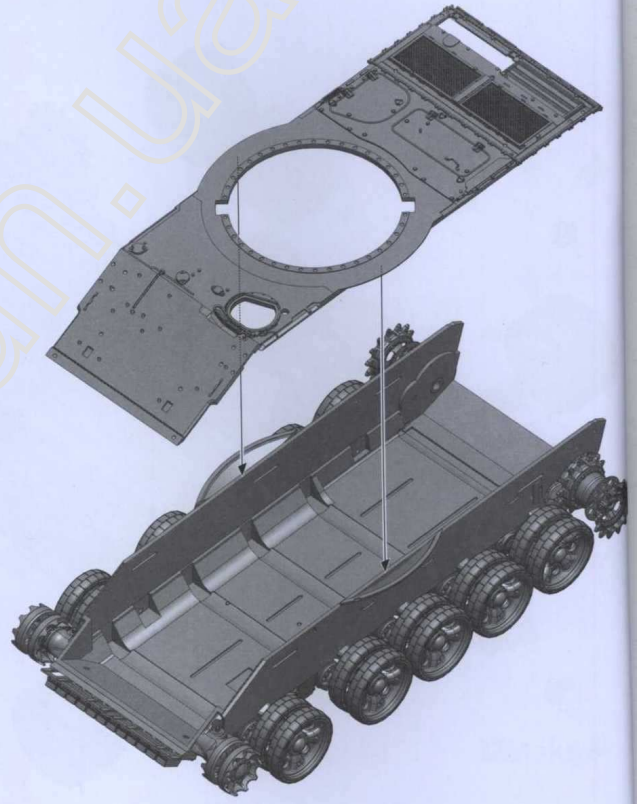
<p><b>D</b></p> <p>A6 A4 A1</p>	<p><b>G</b></p> <p>A4 A1 A7</p>
<p><b>E</b></p> <p>A6 A2 A5</p>	<p><b>H</b></p> <p>A2 A5 A7</p>
<p><b>F</b></p> <p>A6 A8</p> <p><b>Make 3</b></p>	<p><b>I</b></p> <p>A3 A7</p> <p><b>Make 3</b></p>



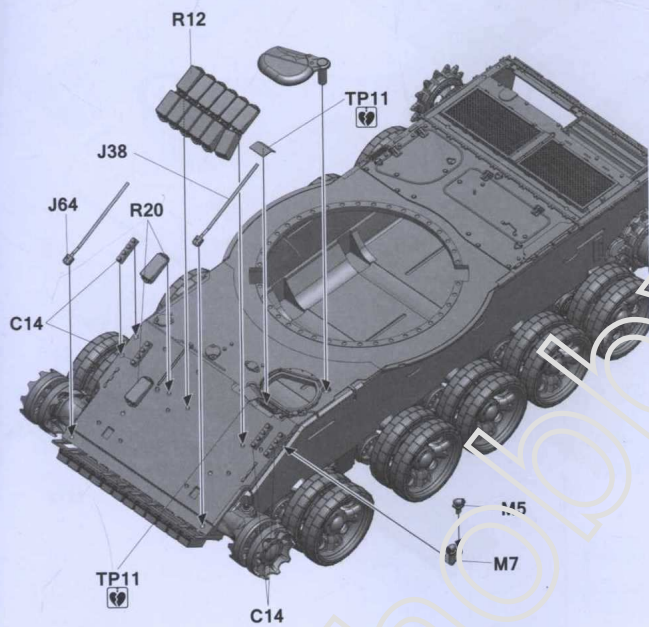
5



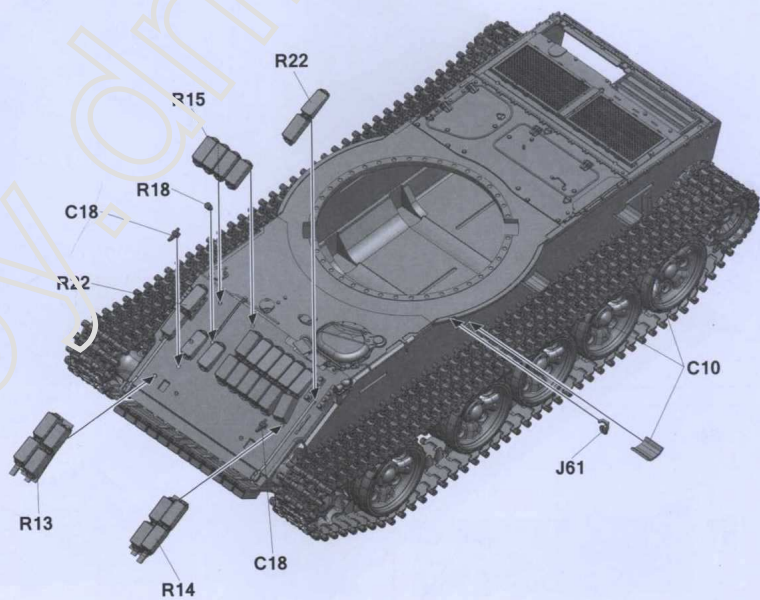
**!** Compare with step 17 before attached TP32. Please don't attach this part if you want to make this hatch in the open position.



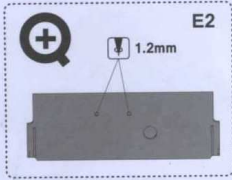
6



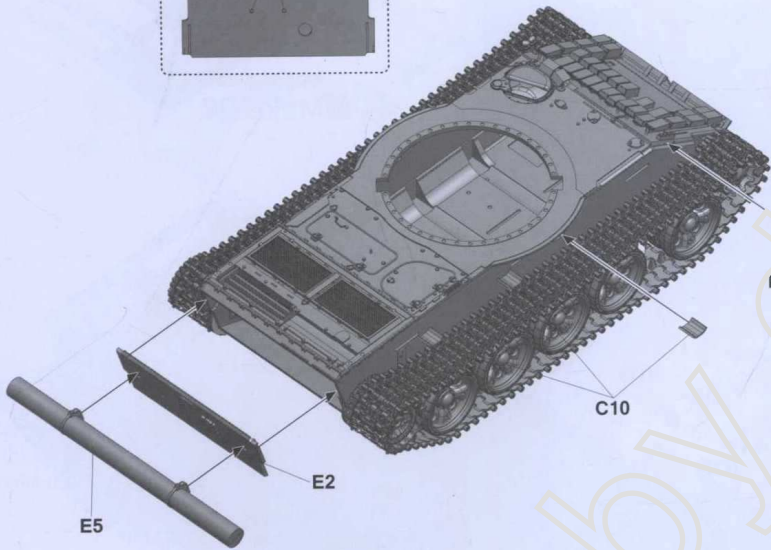
7



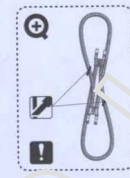
8



E2



9



TP28

J21

J11

E3

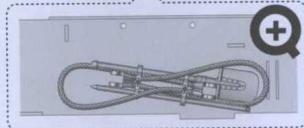
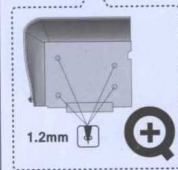
TP10

M13

M4

M5

M18



C15

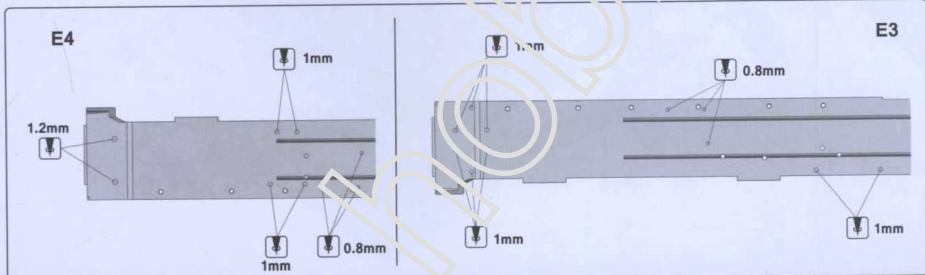
Cable

TP10

M12

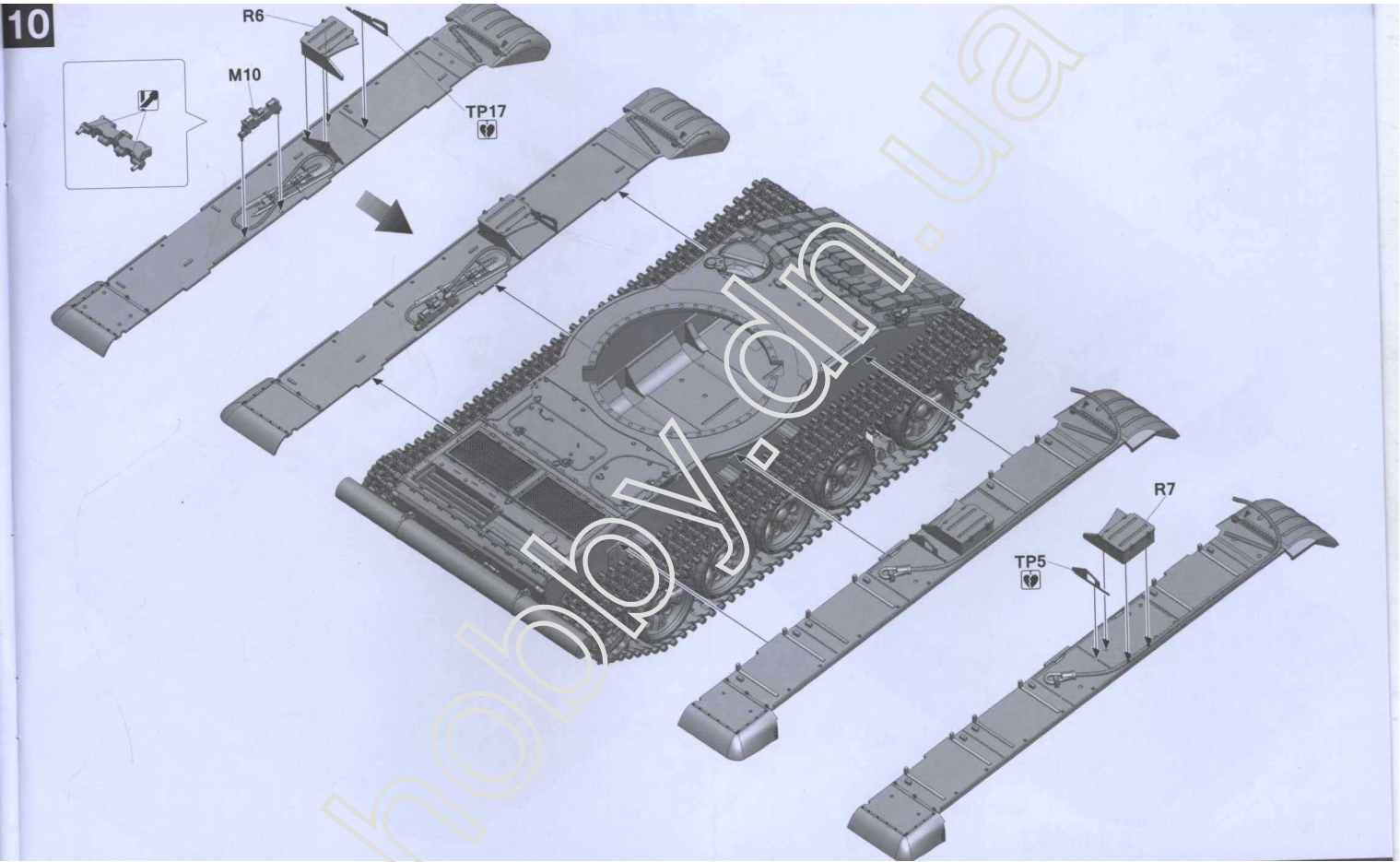
E4

M19

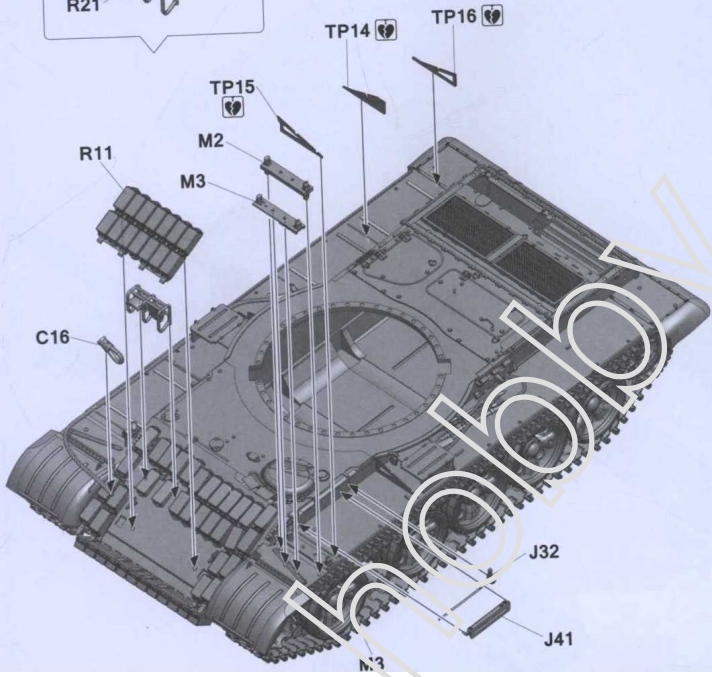
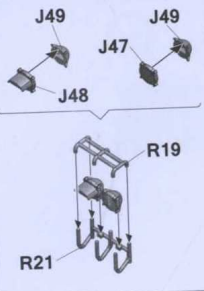




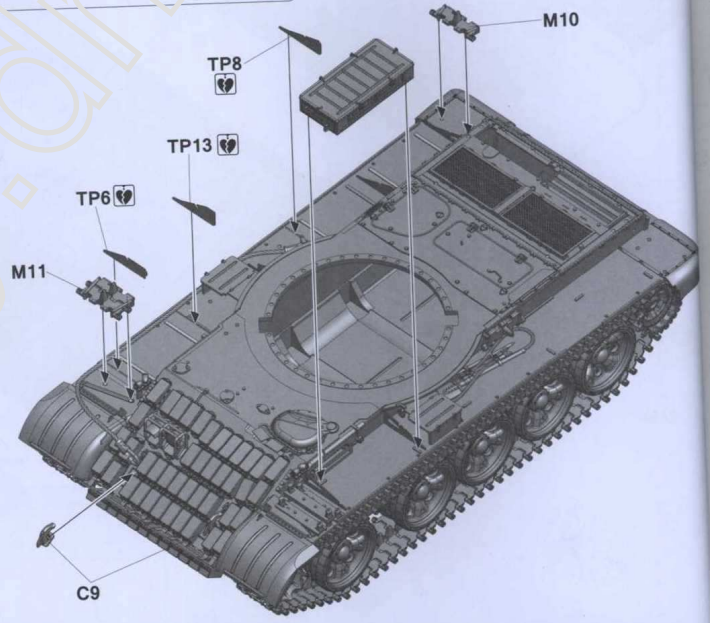
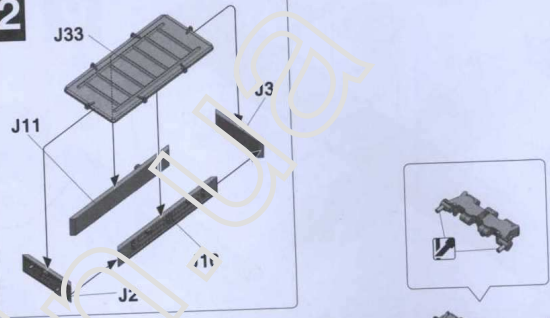
10

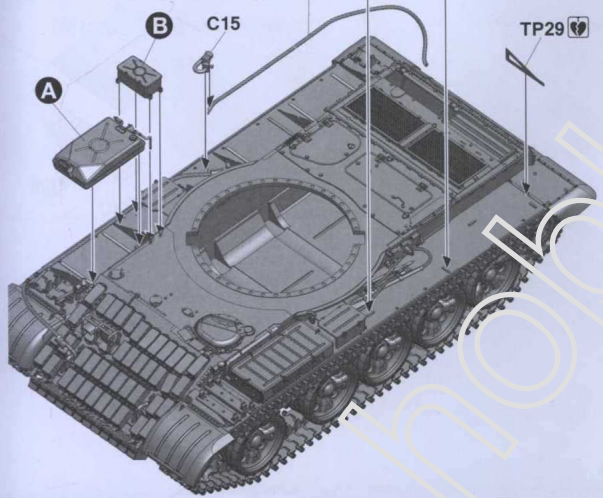
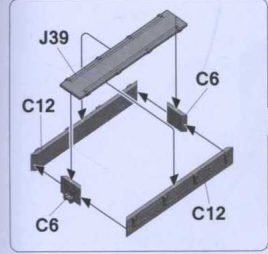
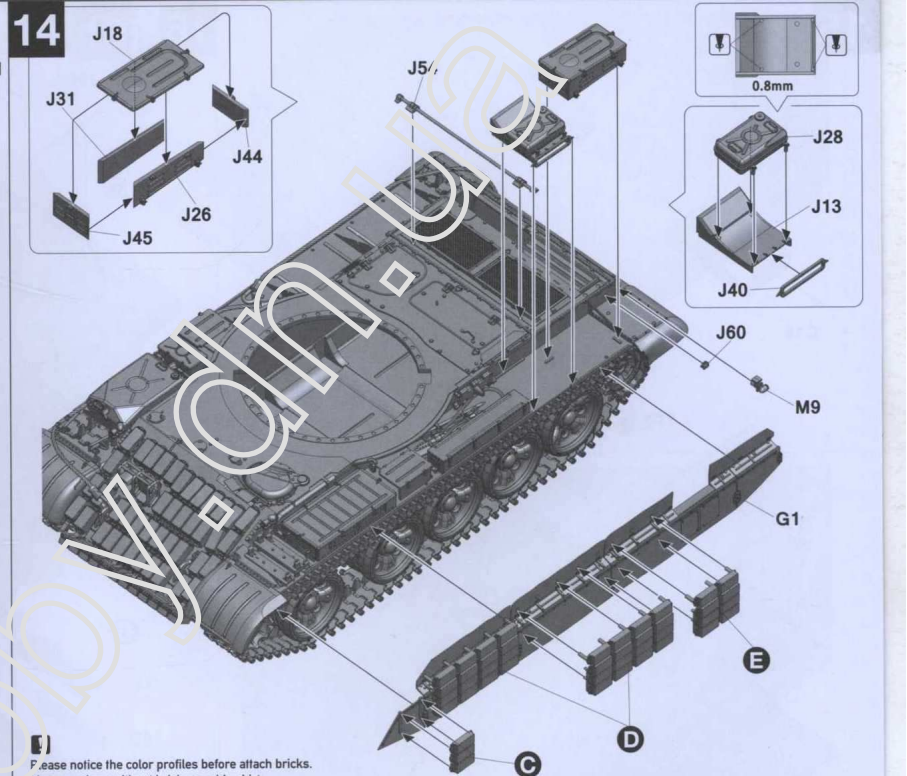
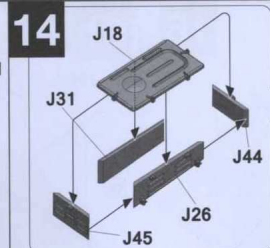
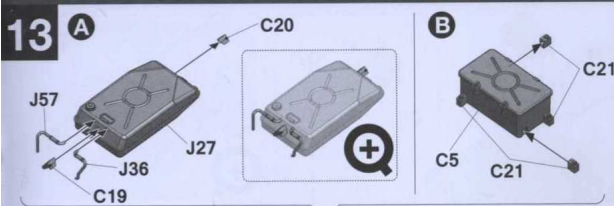


11

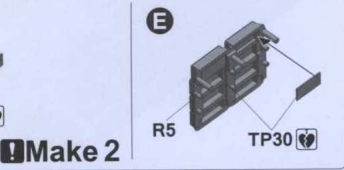
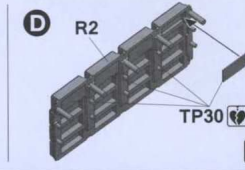
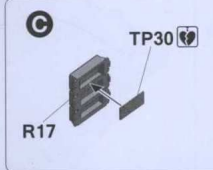


12



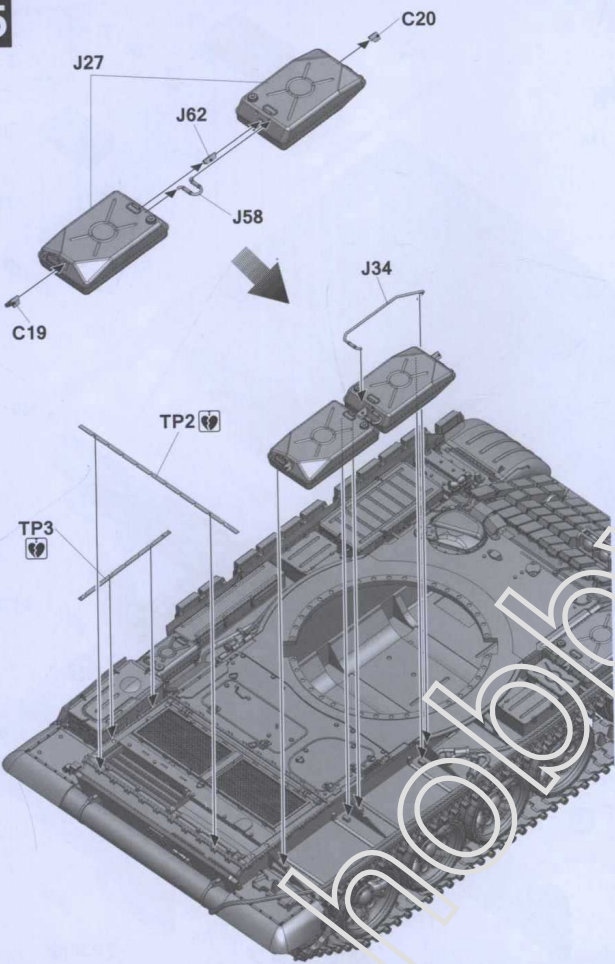


**F**  
Please notice the color profiles before attach bricks.  
Many versions without bricks on side skirt.

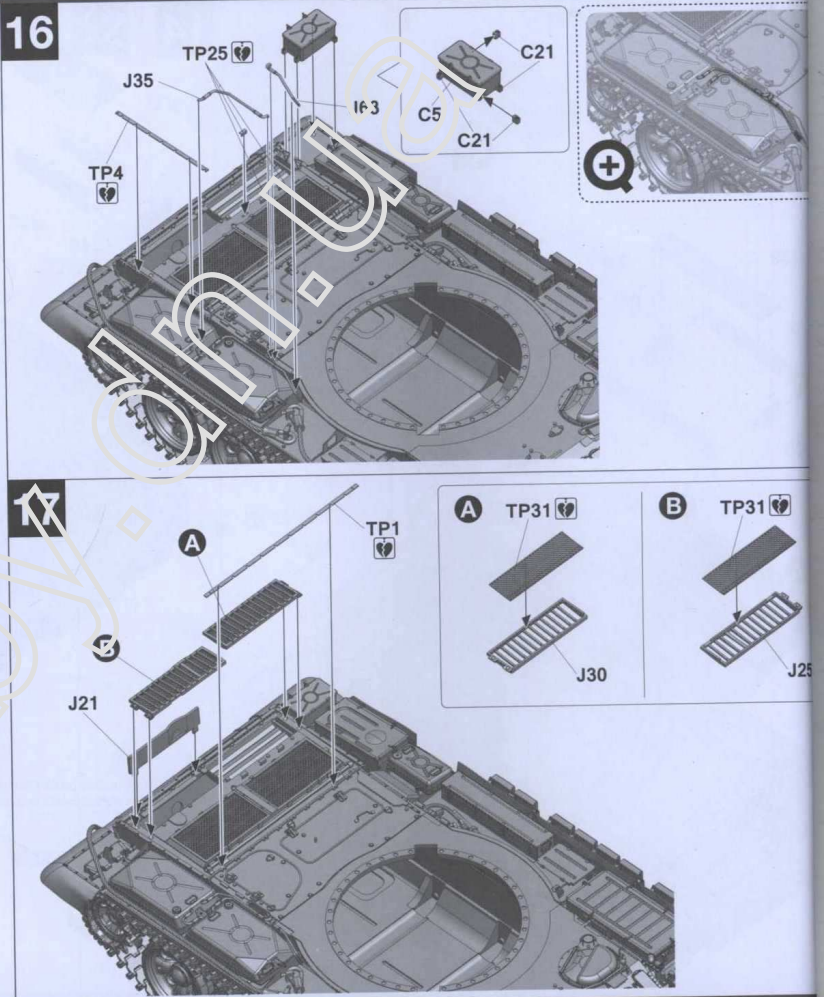


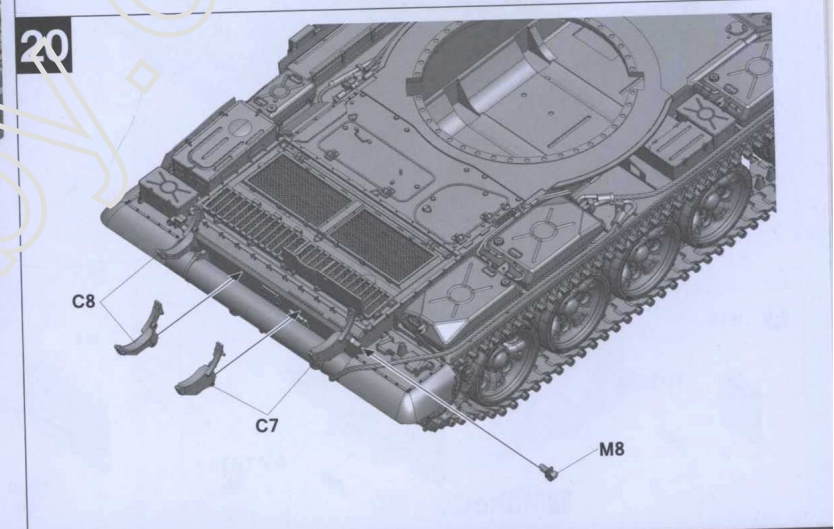
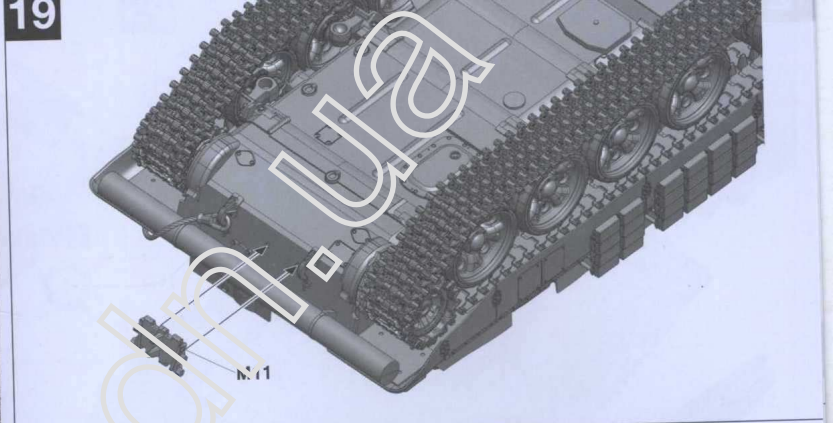
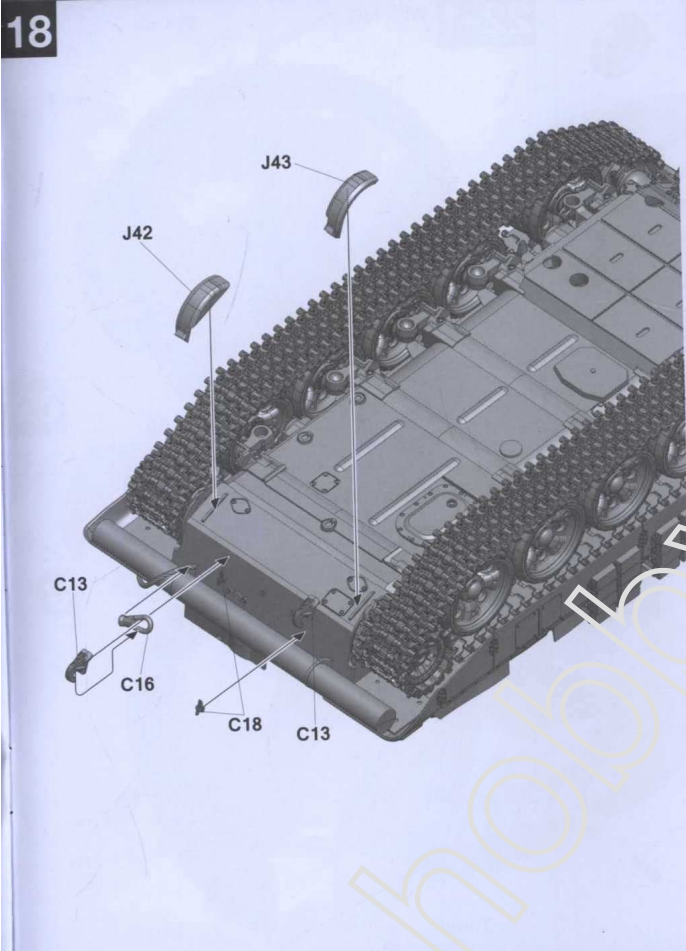
**Make 2**

15

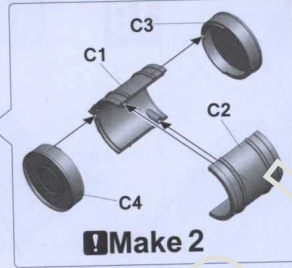
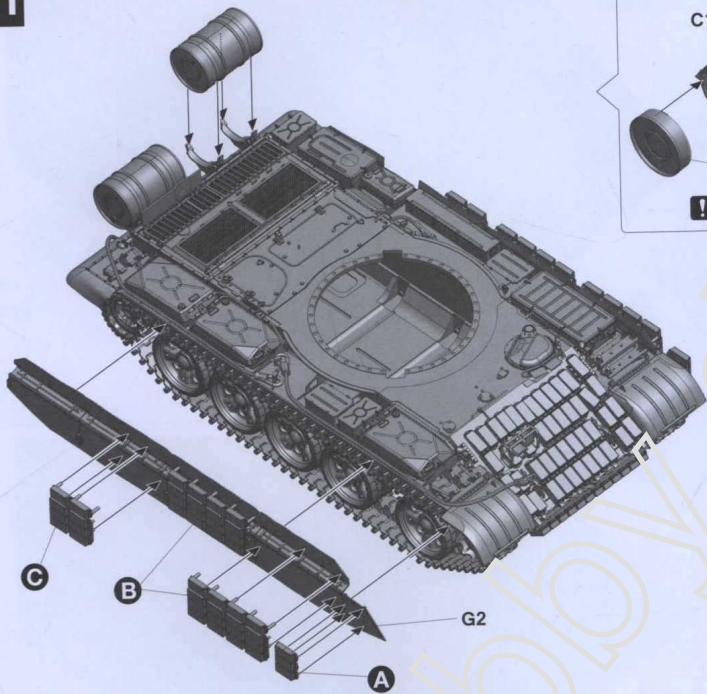


16

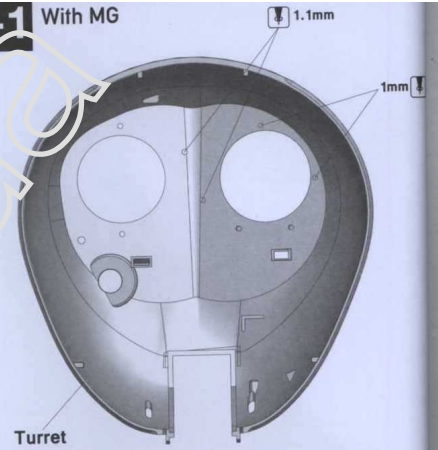




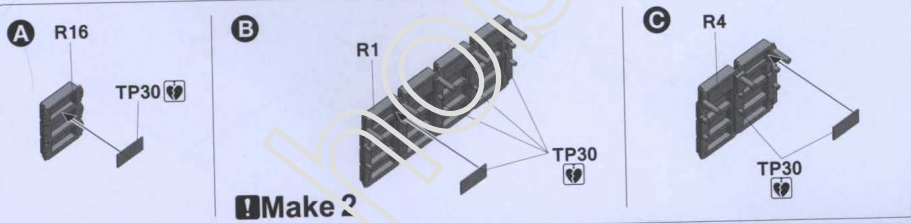
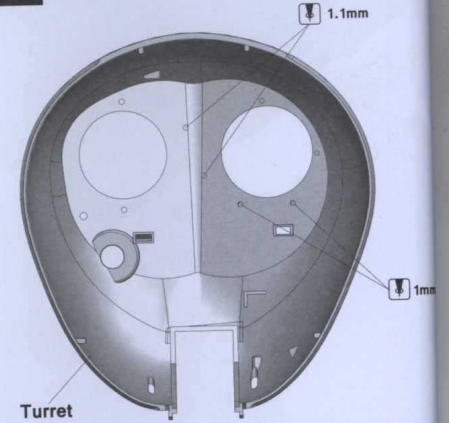
1 21



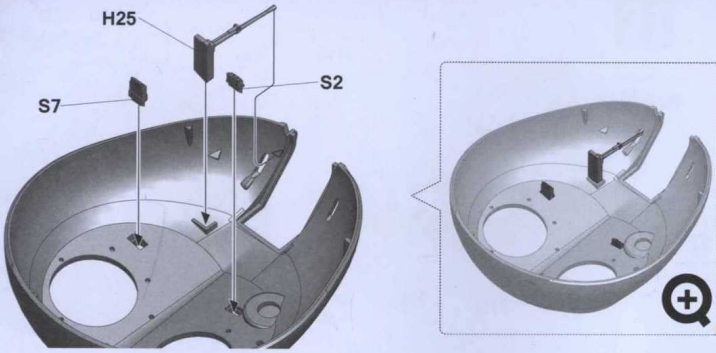
22-1 With MG



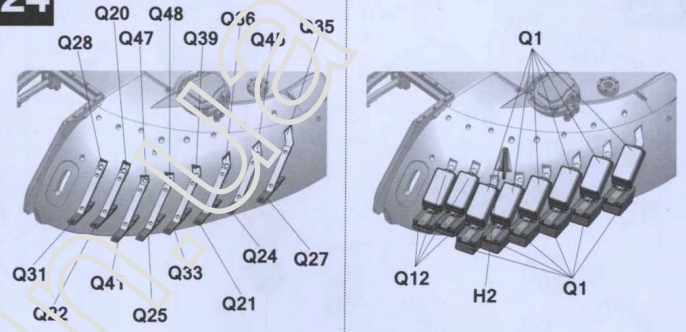
22-2 Without MG



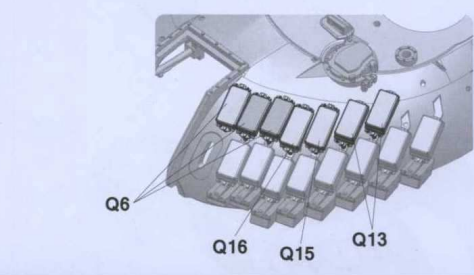
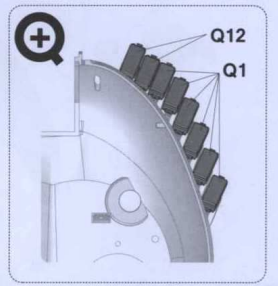
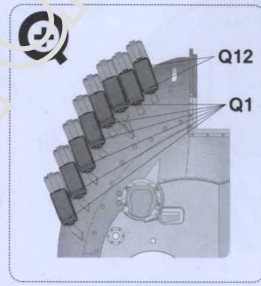
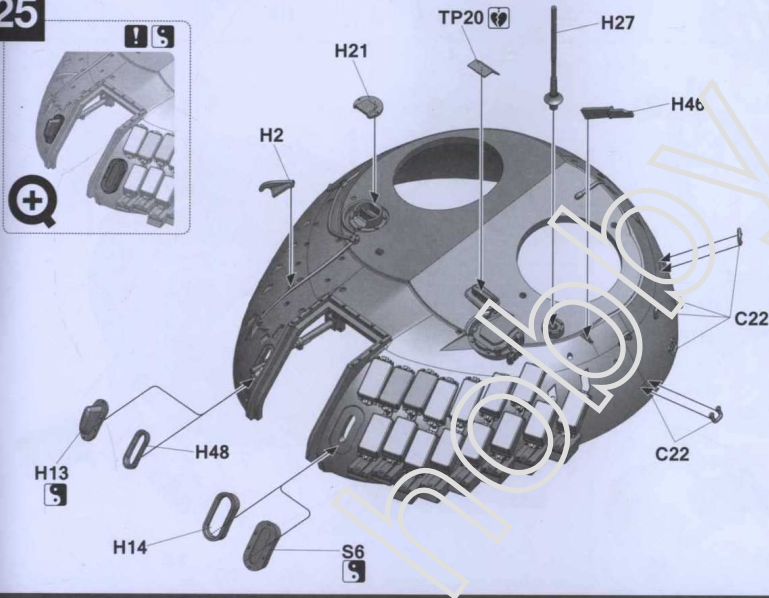
23



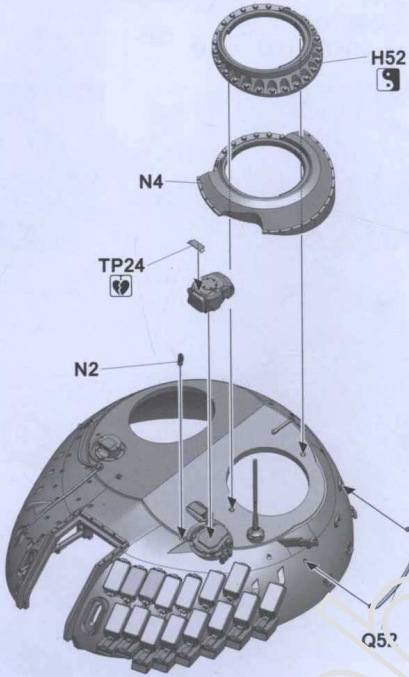
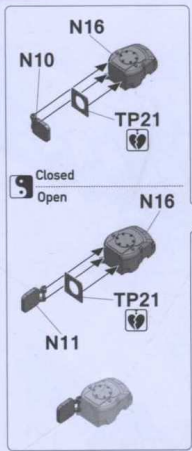
24



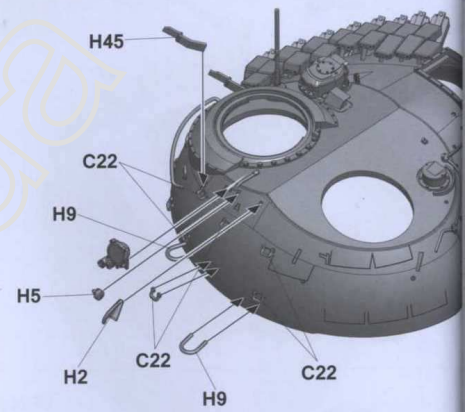
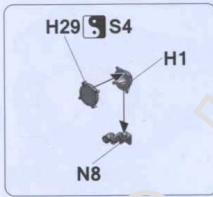
25



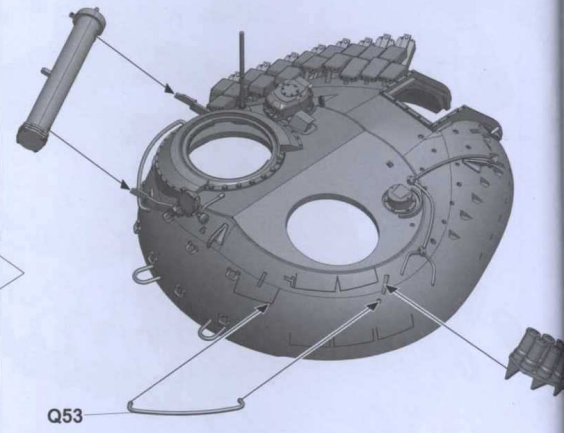
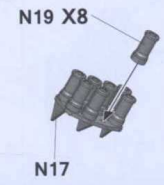
26



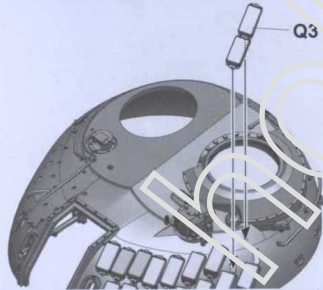
28



29

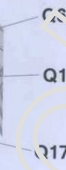
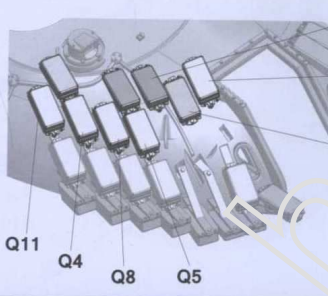
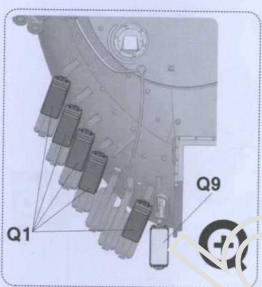
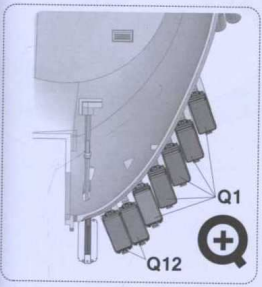
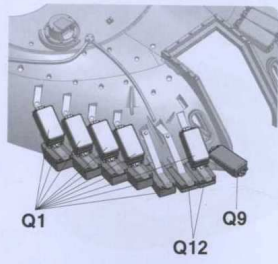
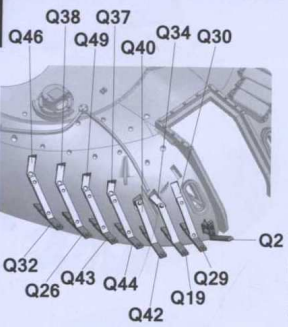


27

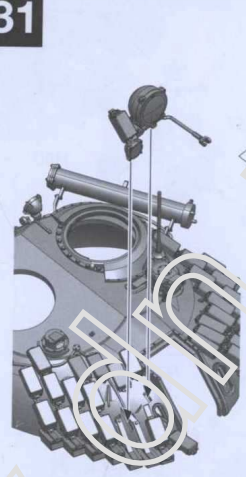




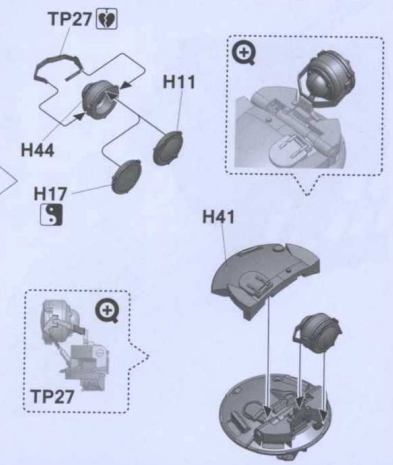
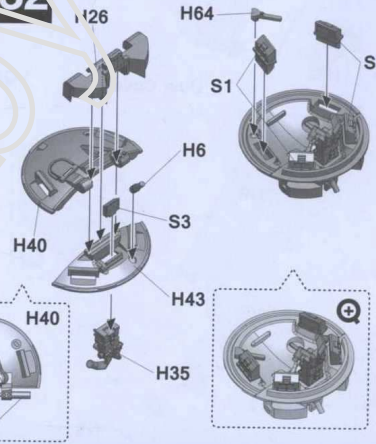
30



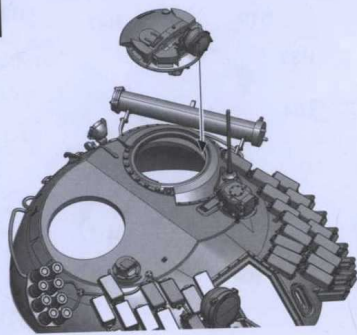
31



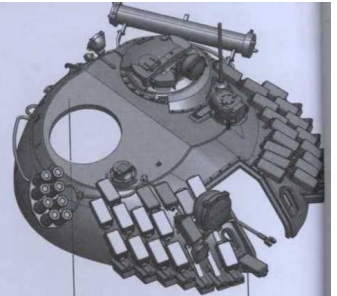
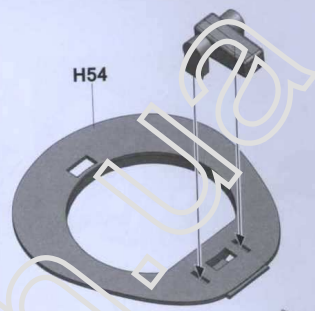
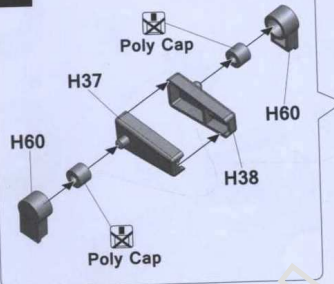
32



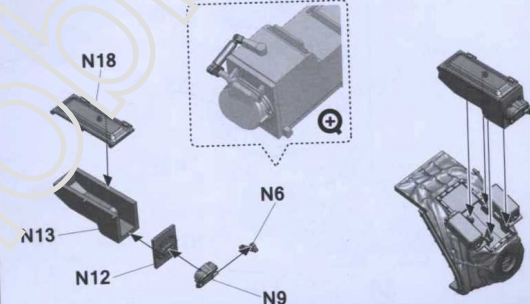
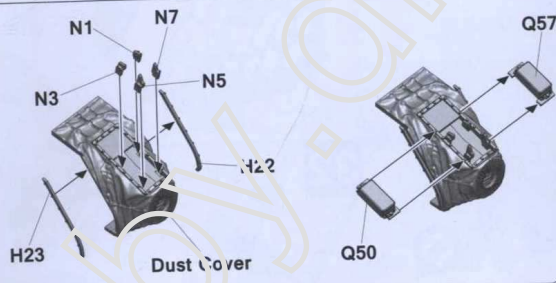
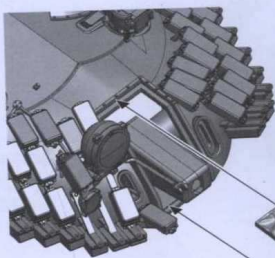
33



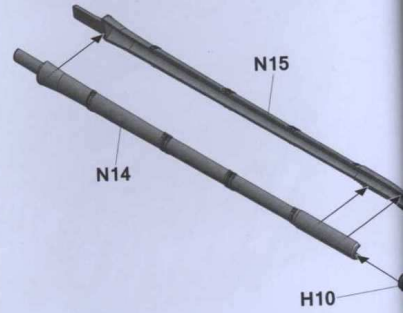
34



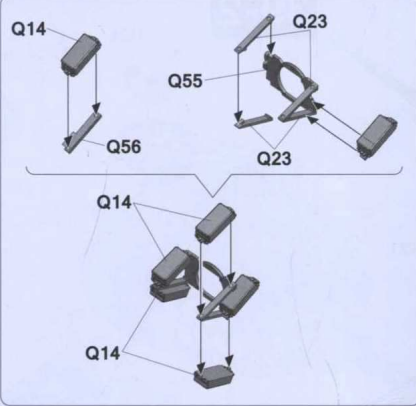
35



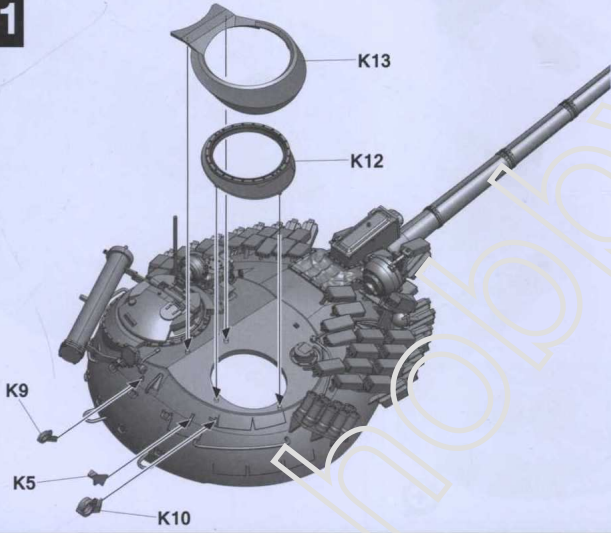
36



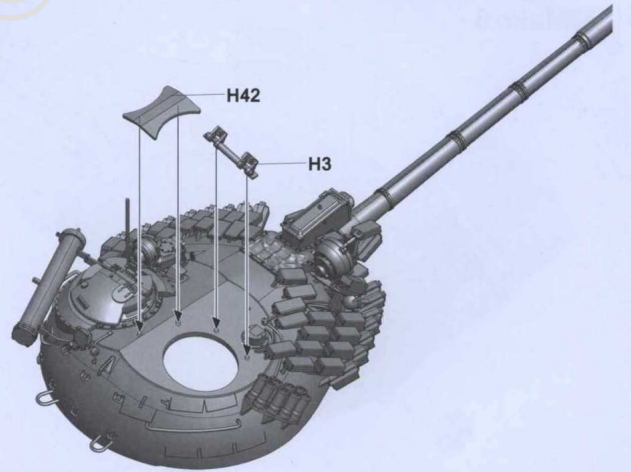
37



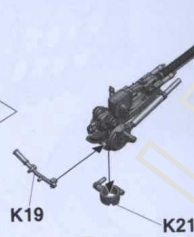
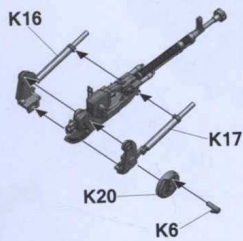
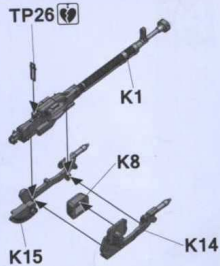
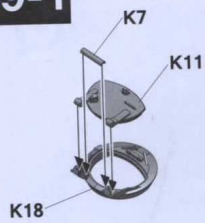
38-1



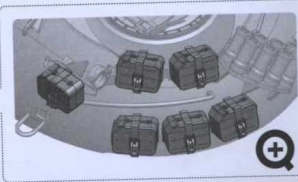
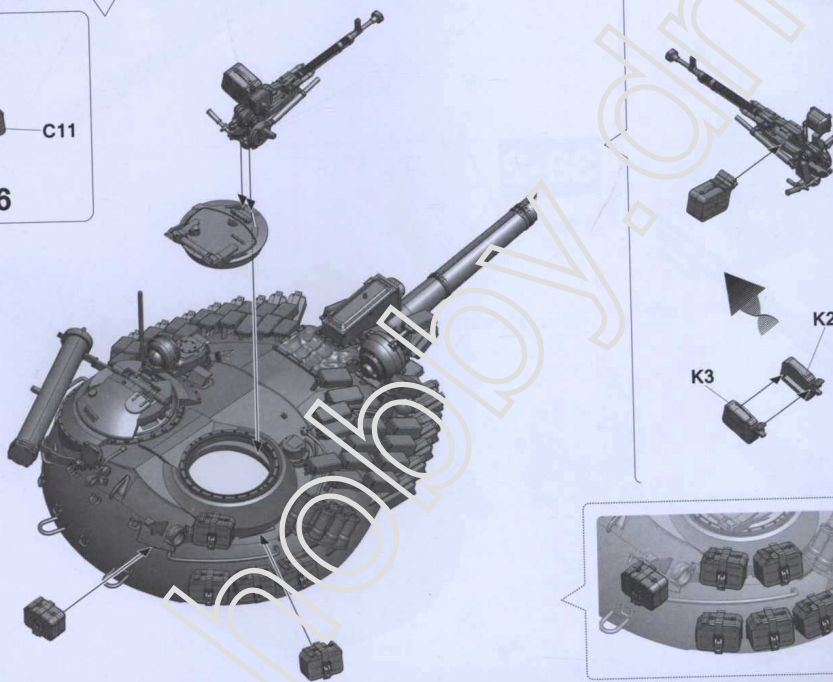
38-2



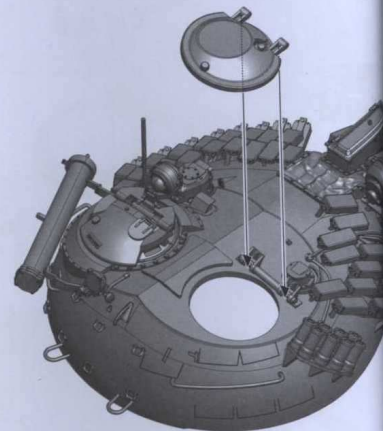
# 39-1



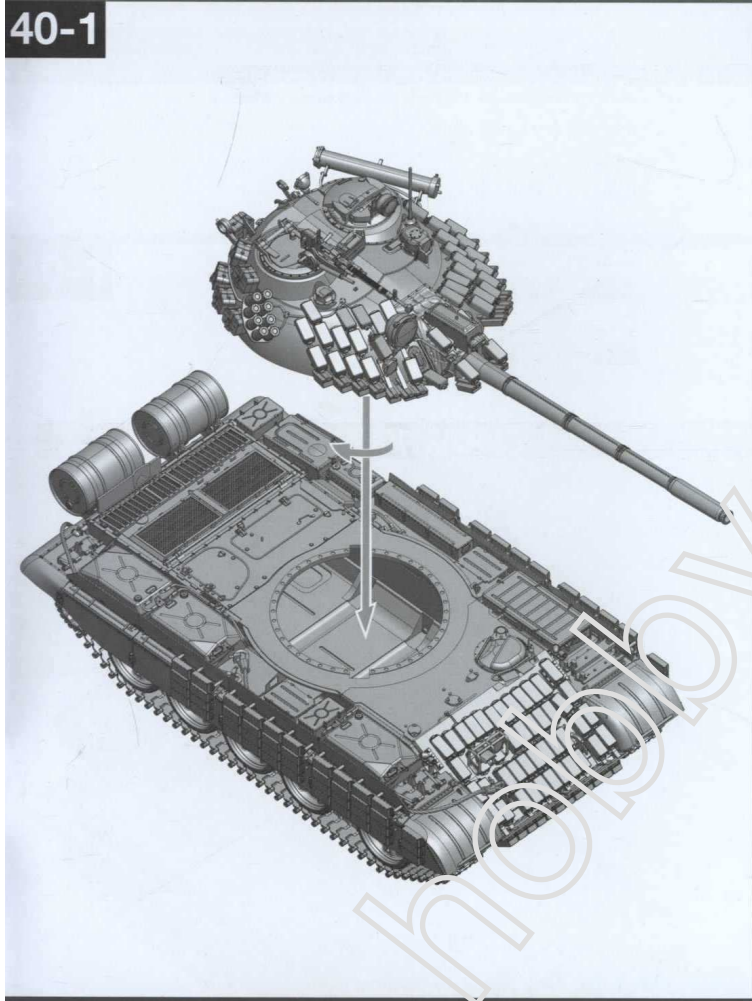
**Make 6**



# 39-2



40-1



40-2

