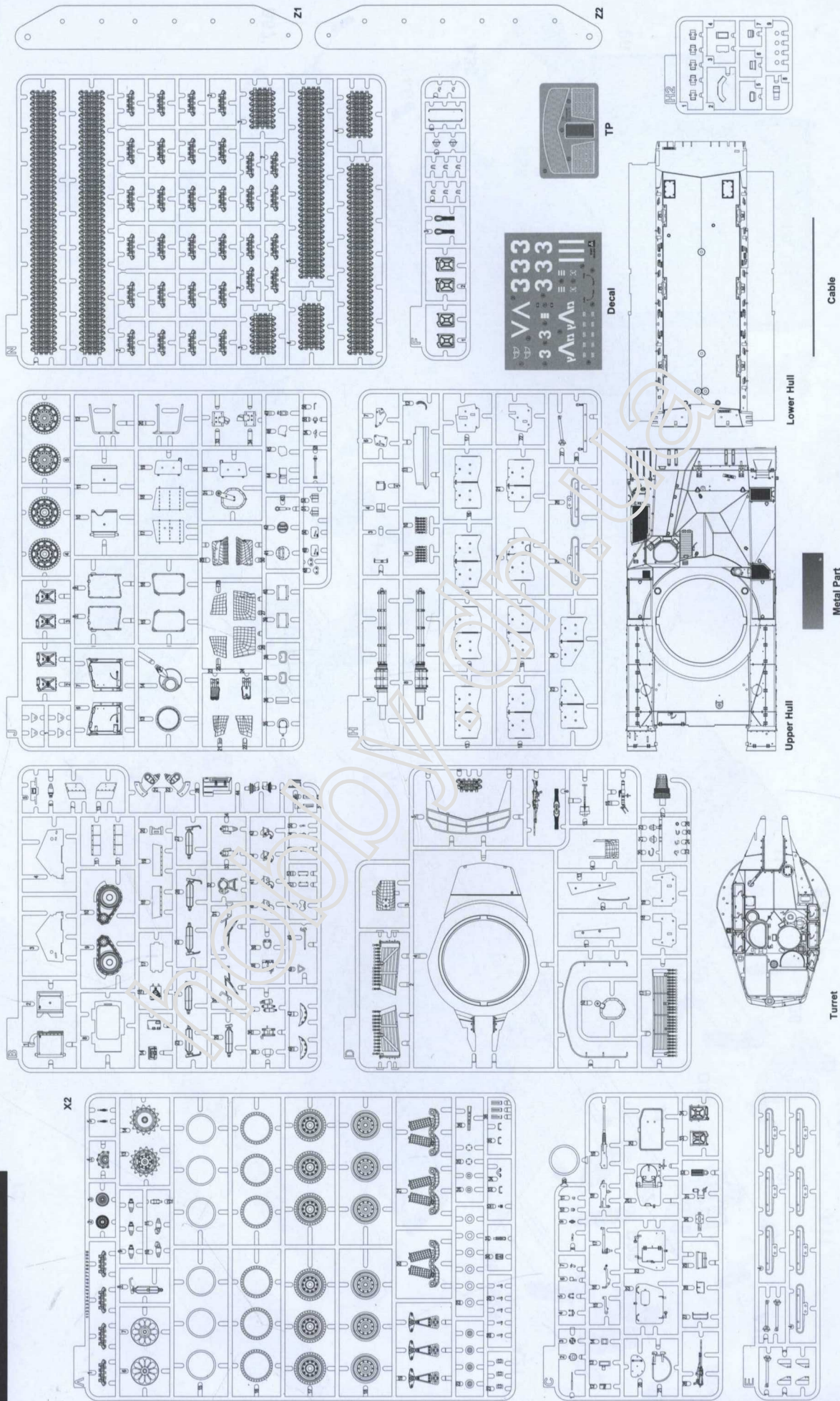
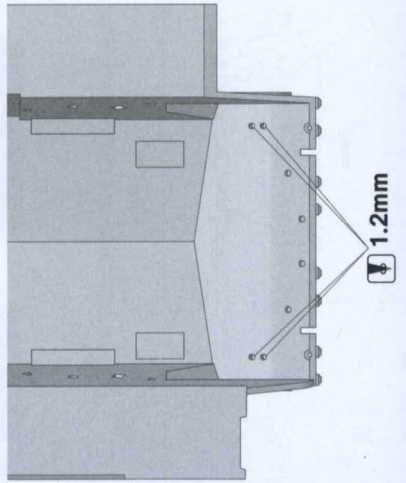
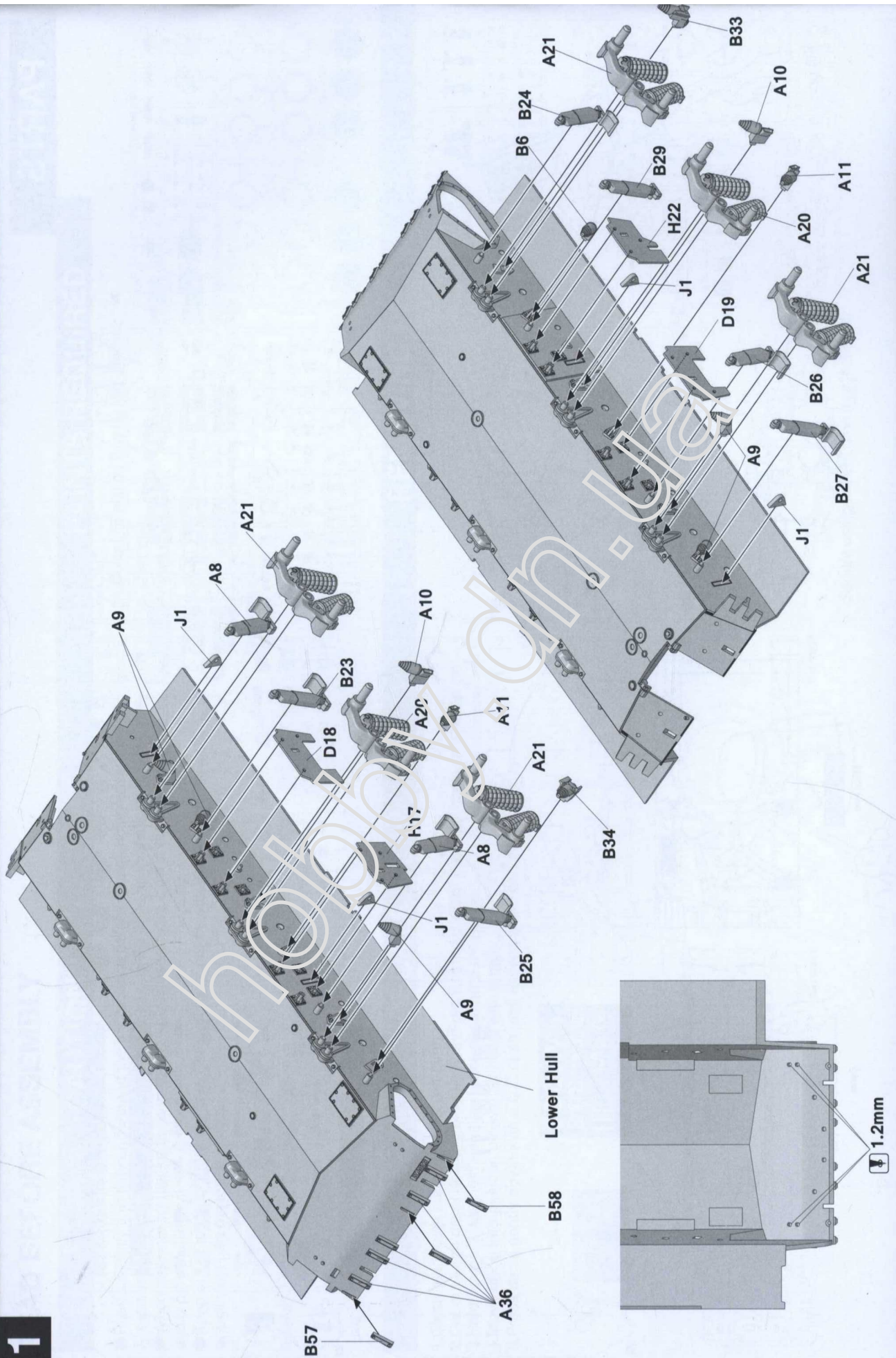
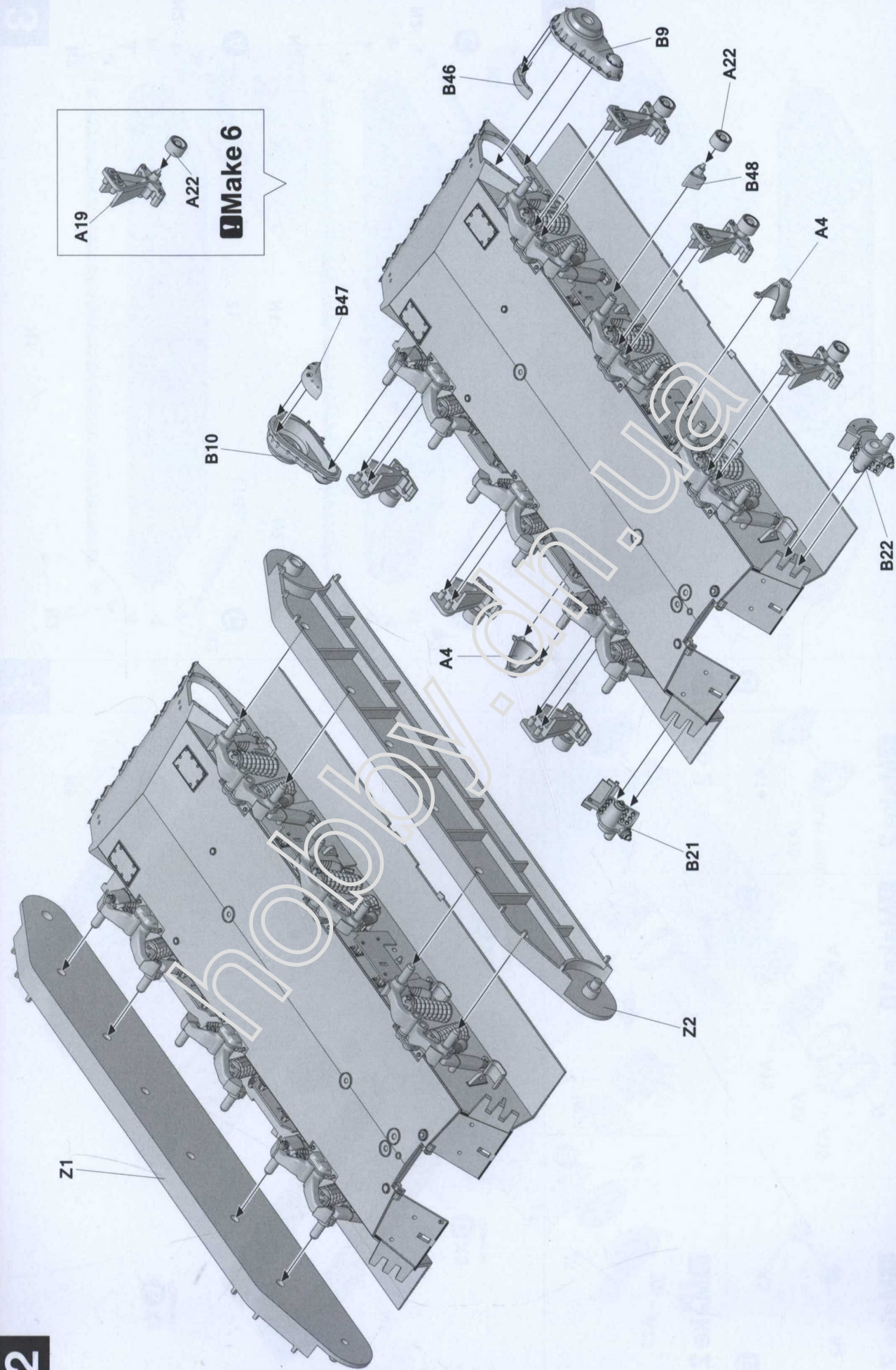


PARTS

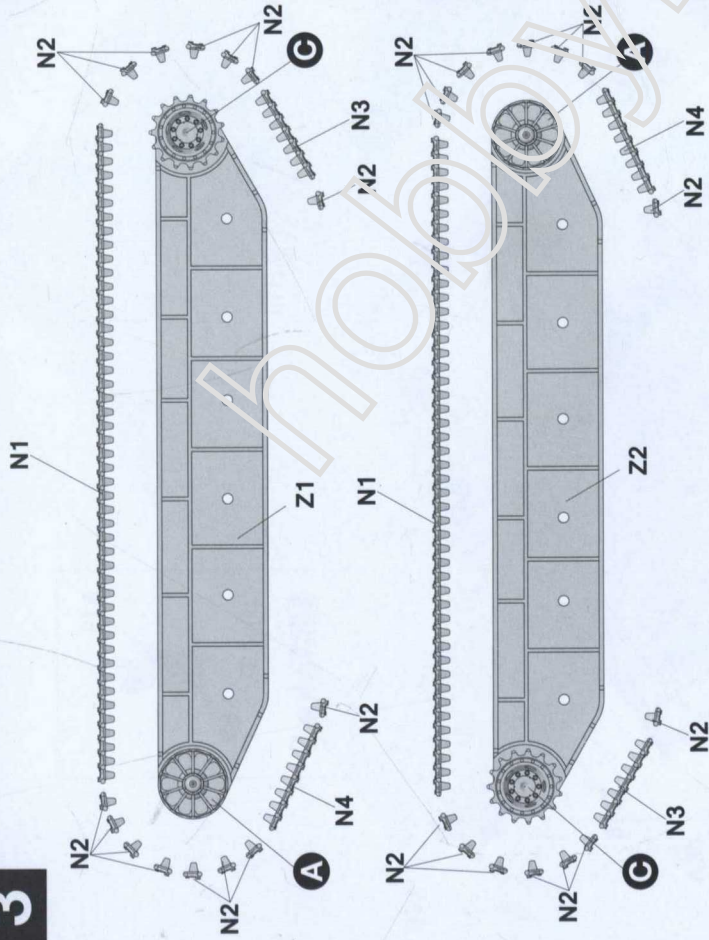


1

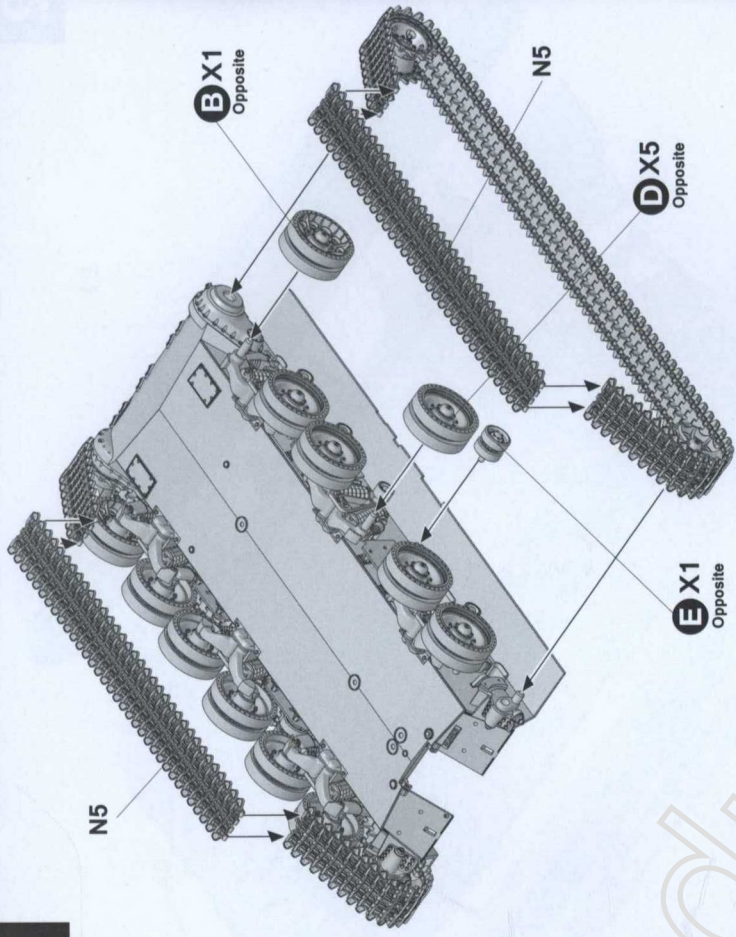




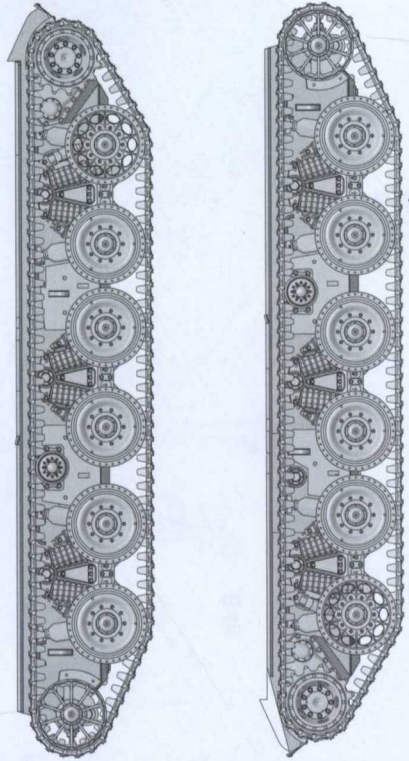
3



4

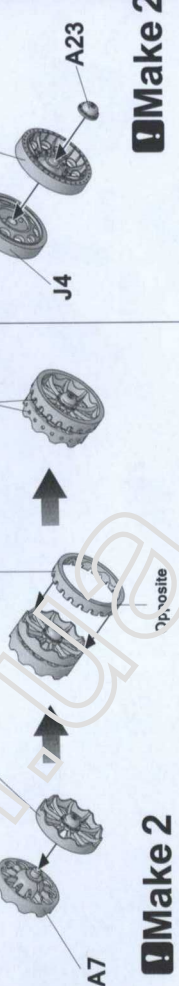


5



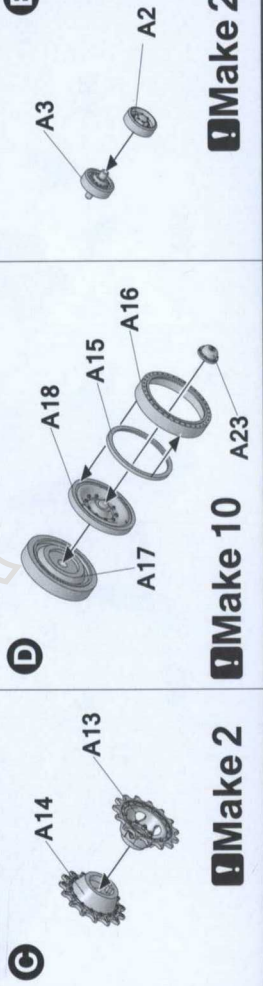
A

B



C

E



Make 2

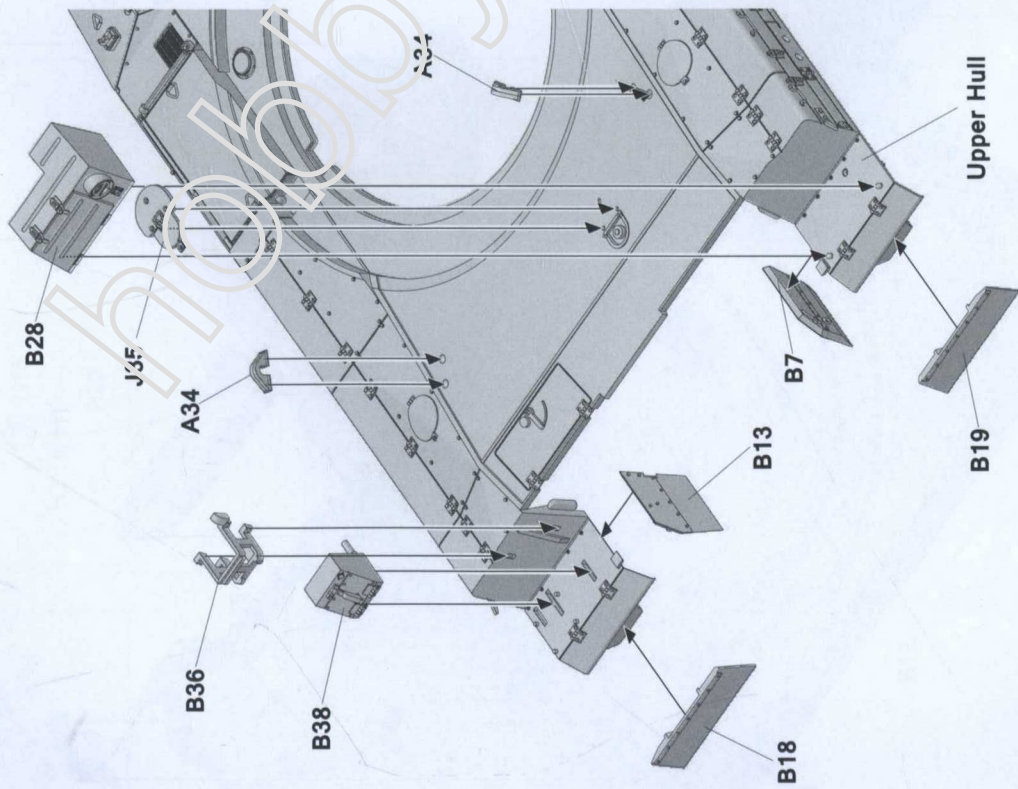
Make 2

Make 2

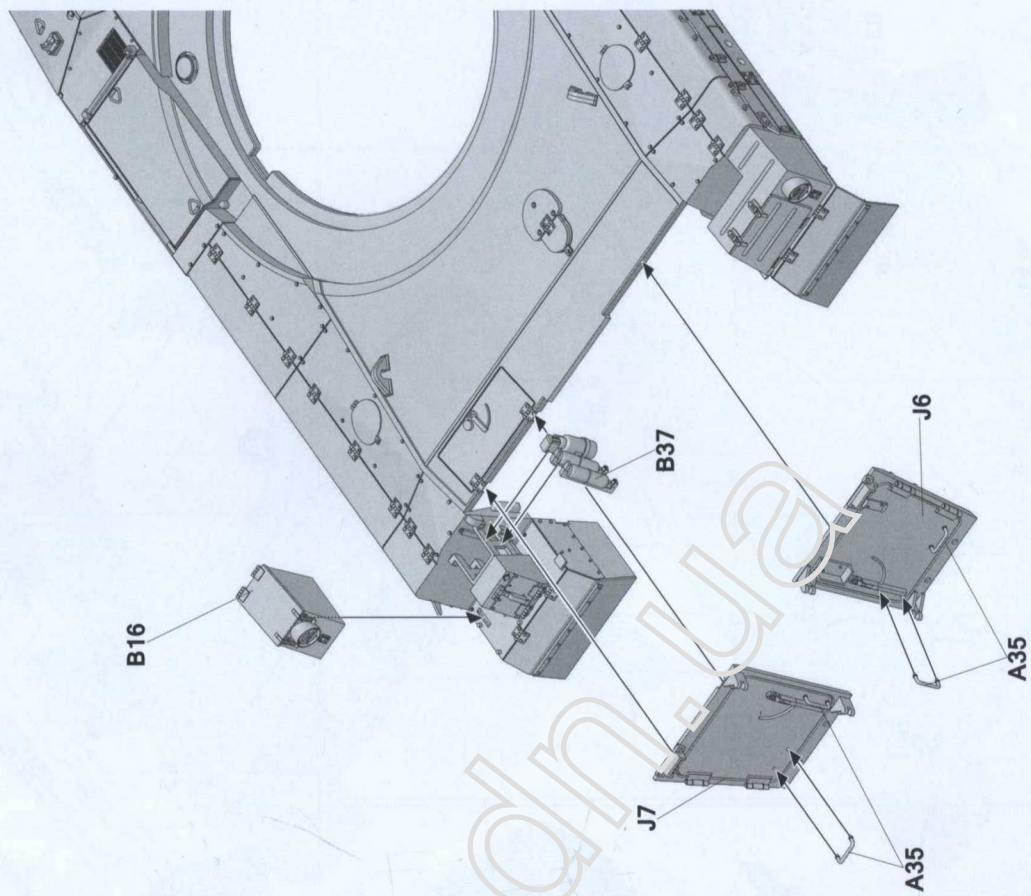
Make 10

Make 2

6

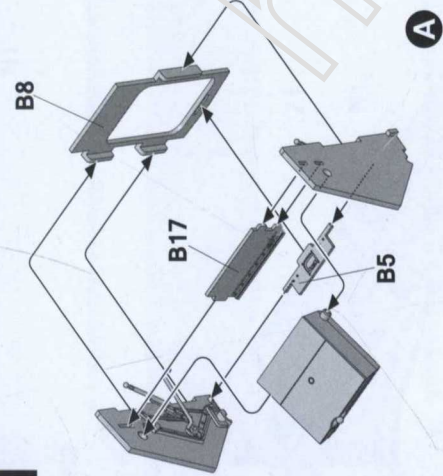


7



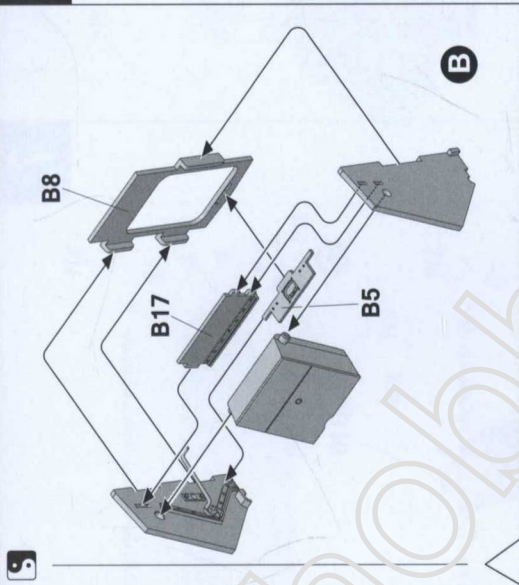
8

S

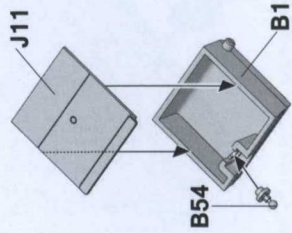


A

9



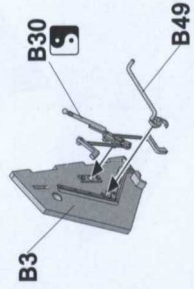
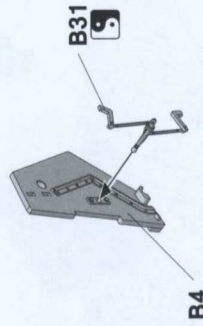
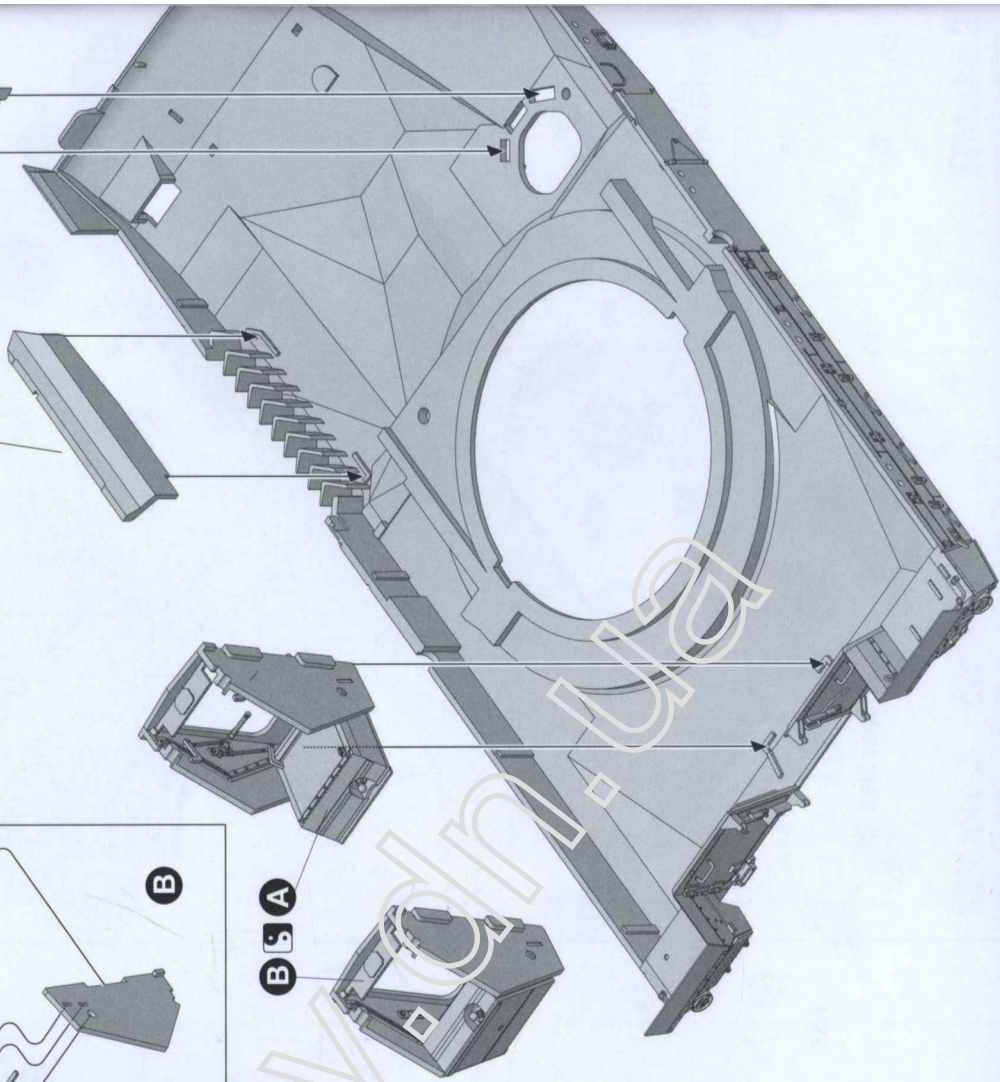
B



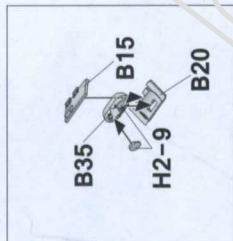
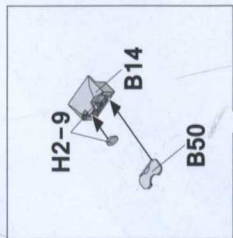
B S A

H11

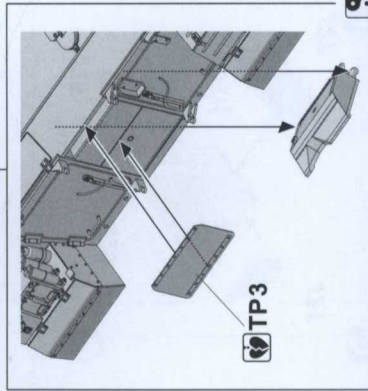
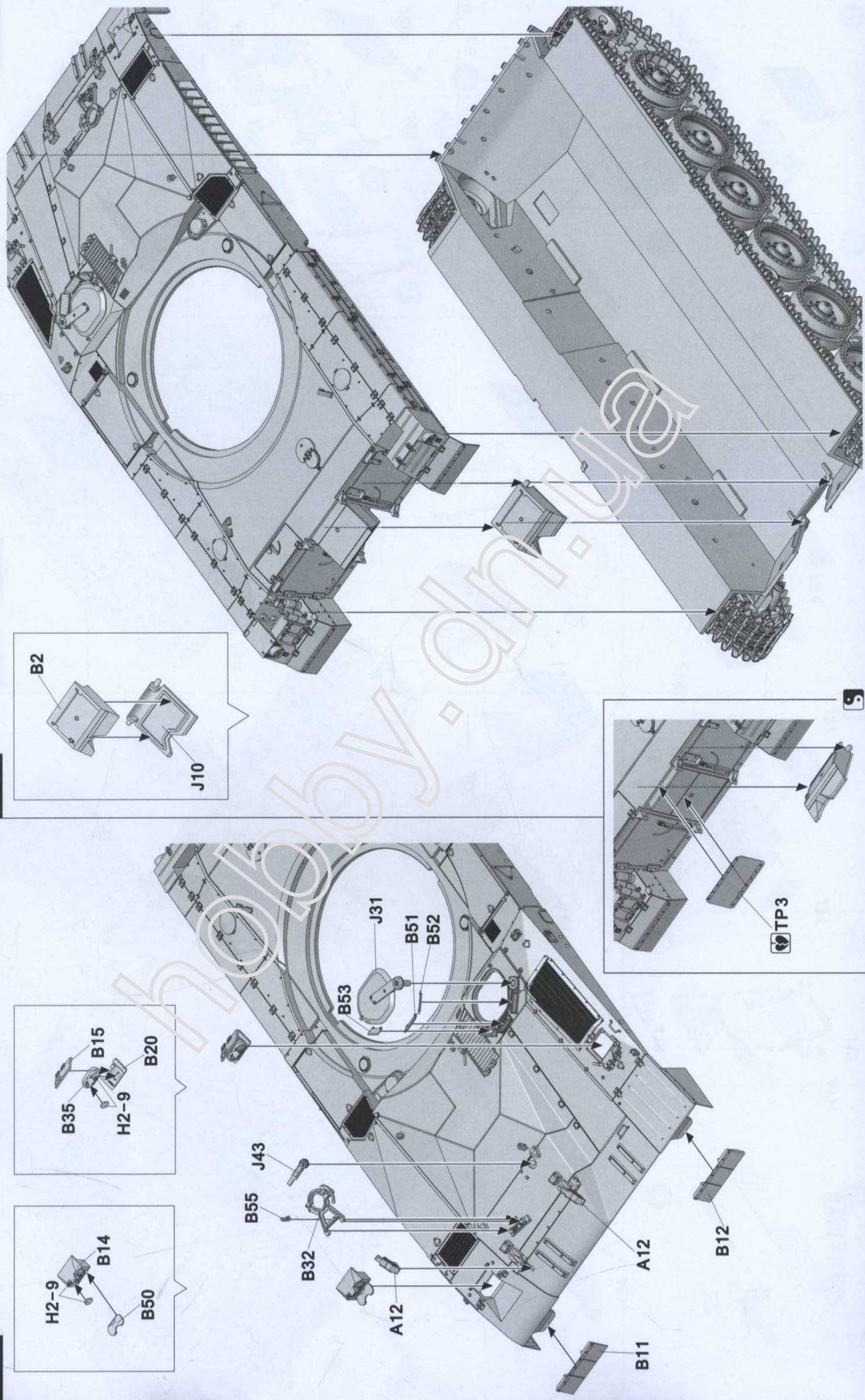
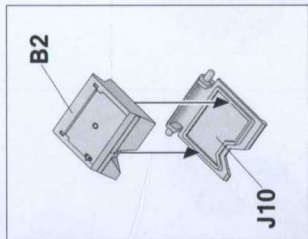
H2-2



10



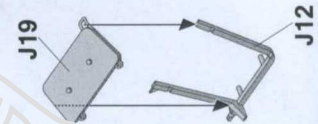
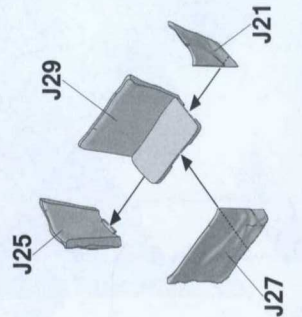
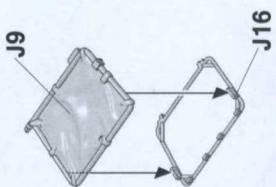
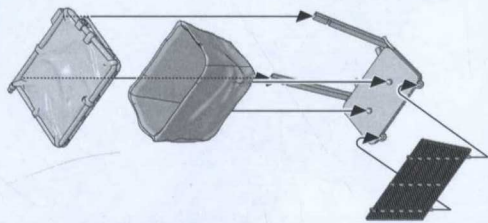
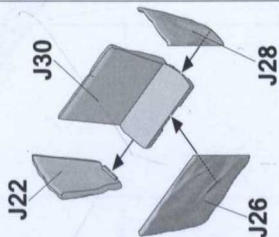
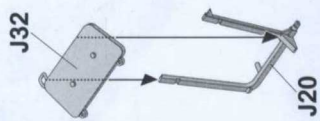
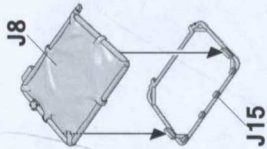
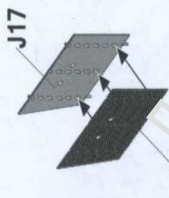
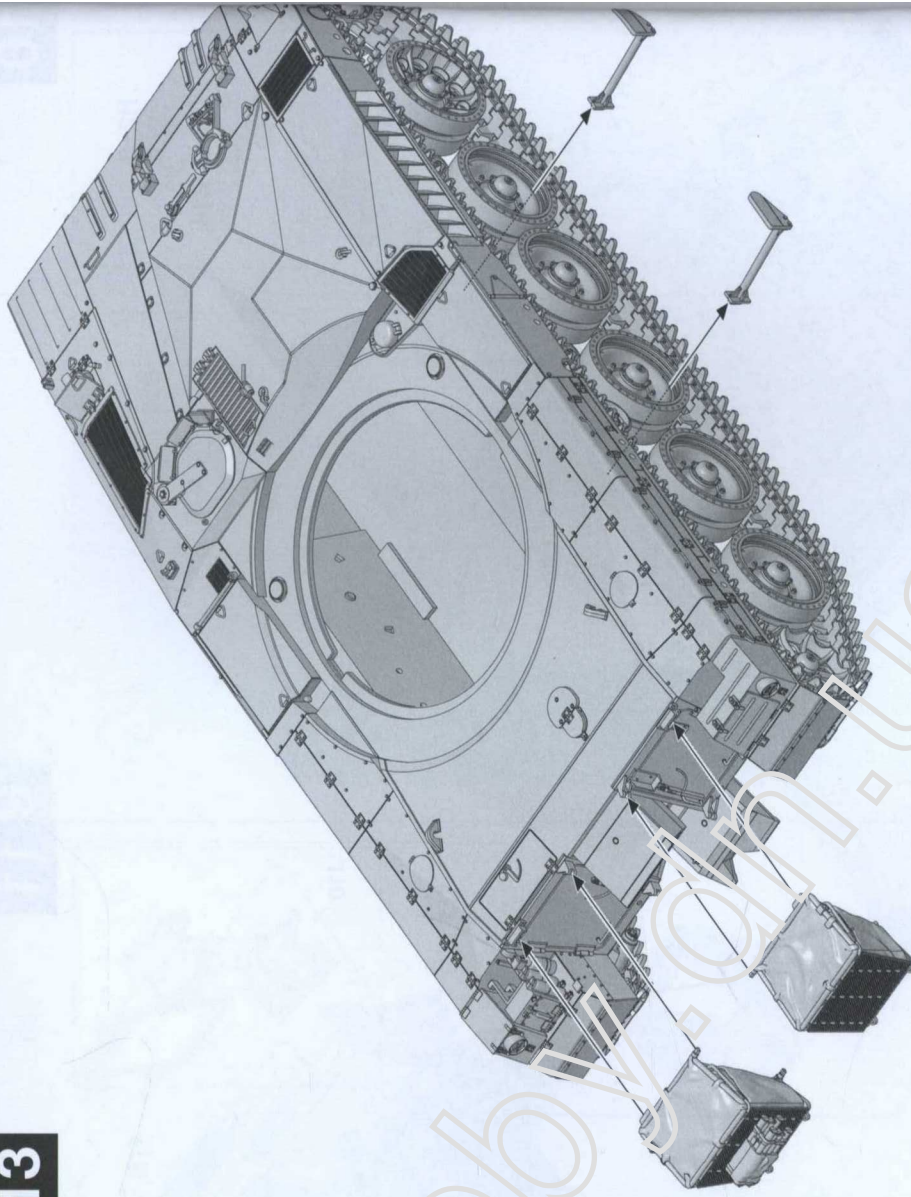
11



9

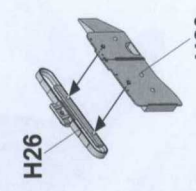
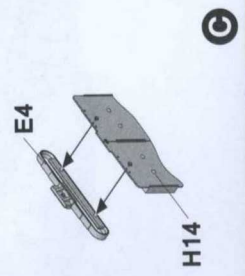
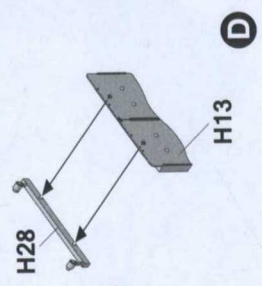
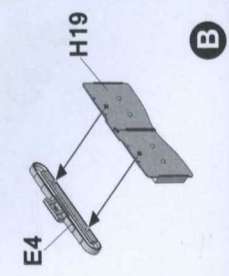
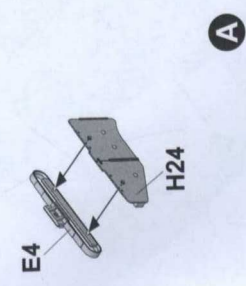
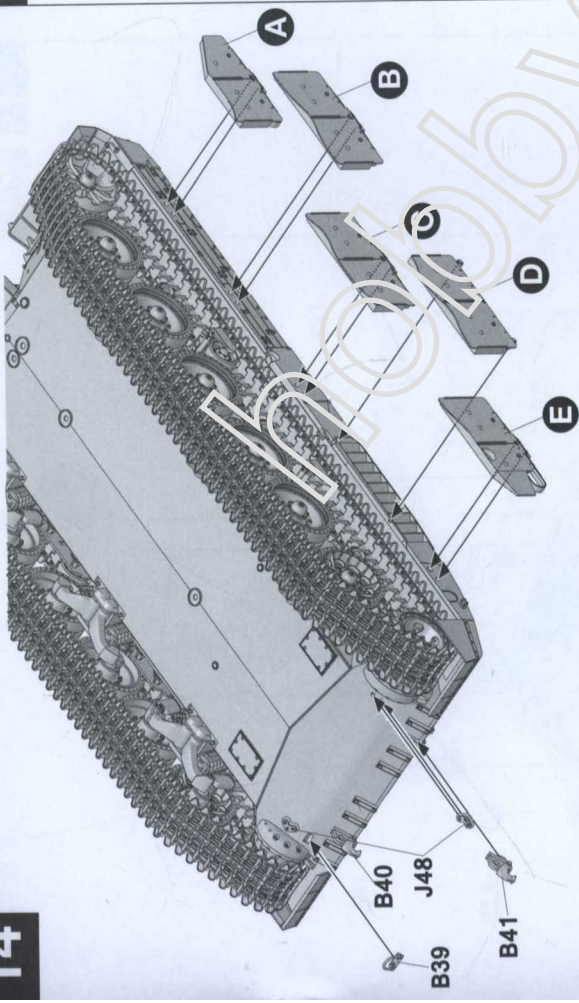
12

13

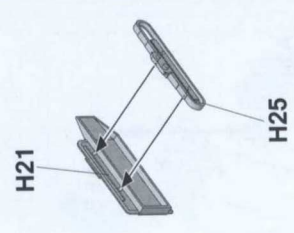
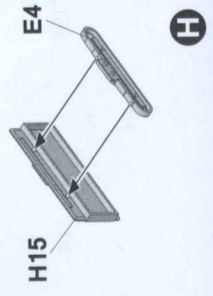
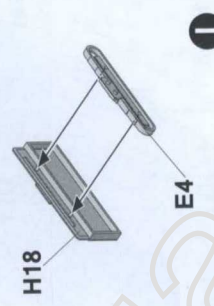
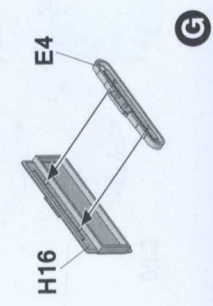
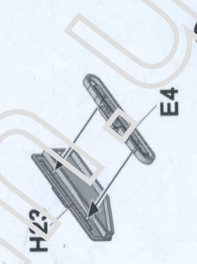
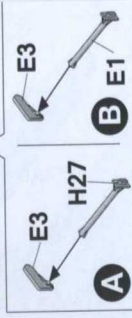
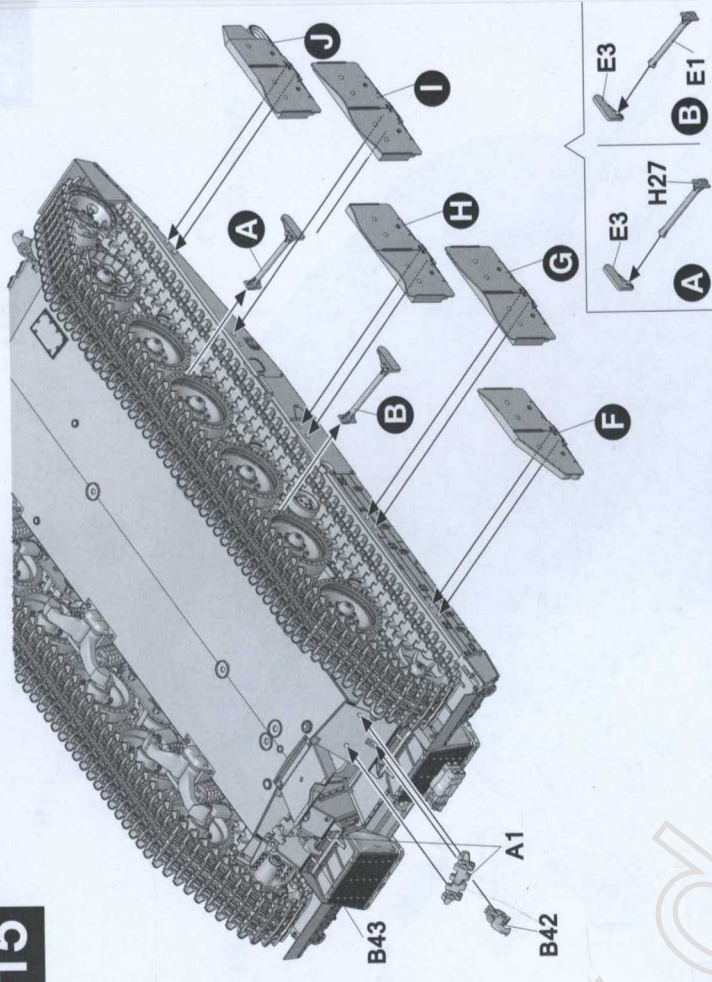


Make 2

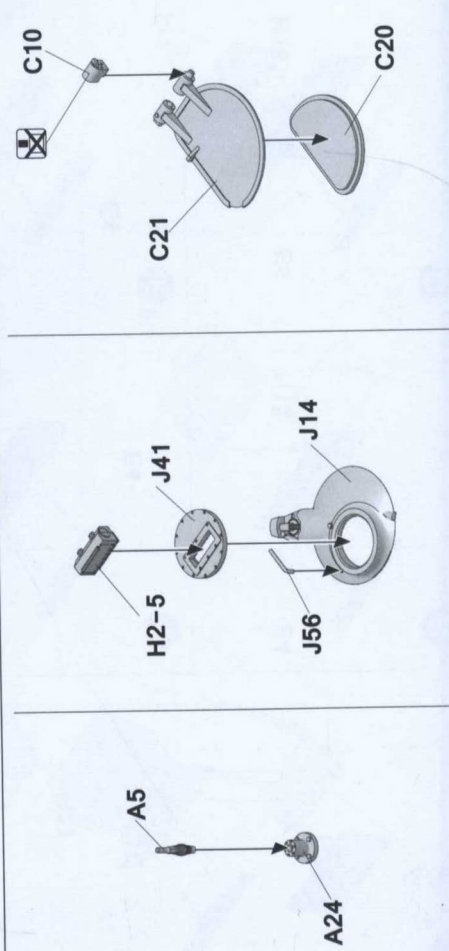
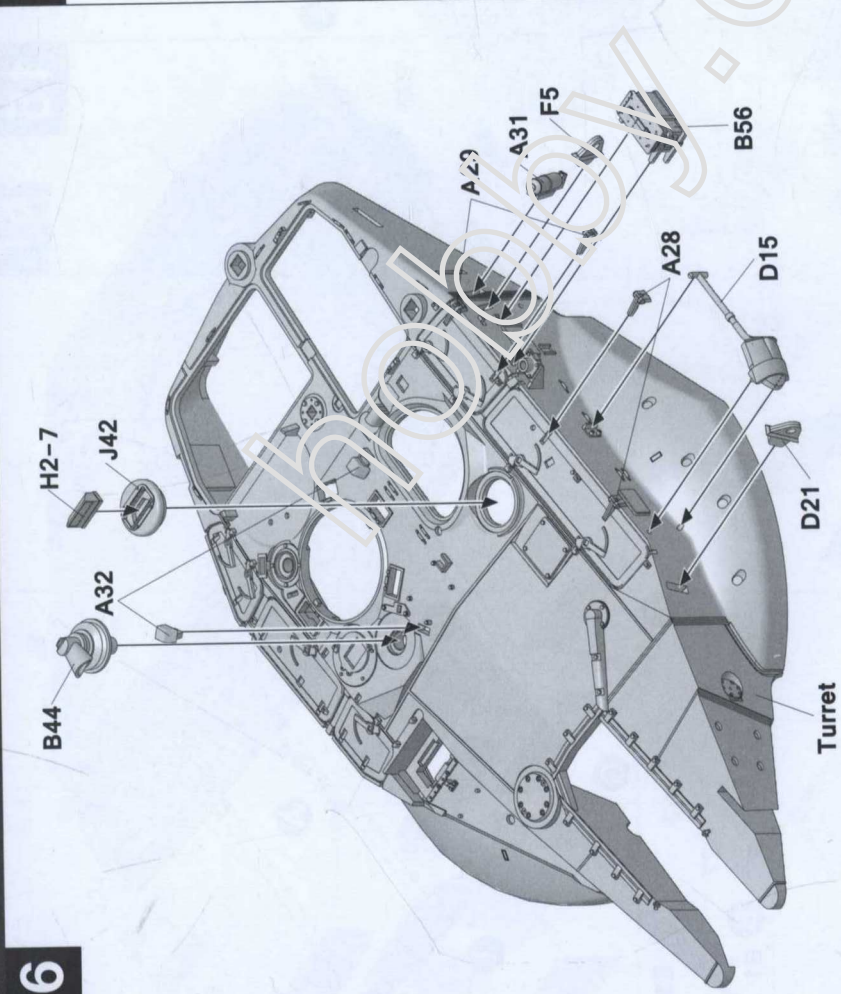
14



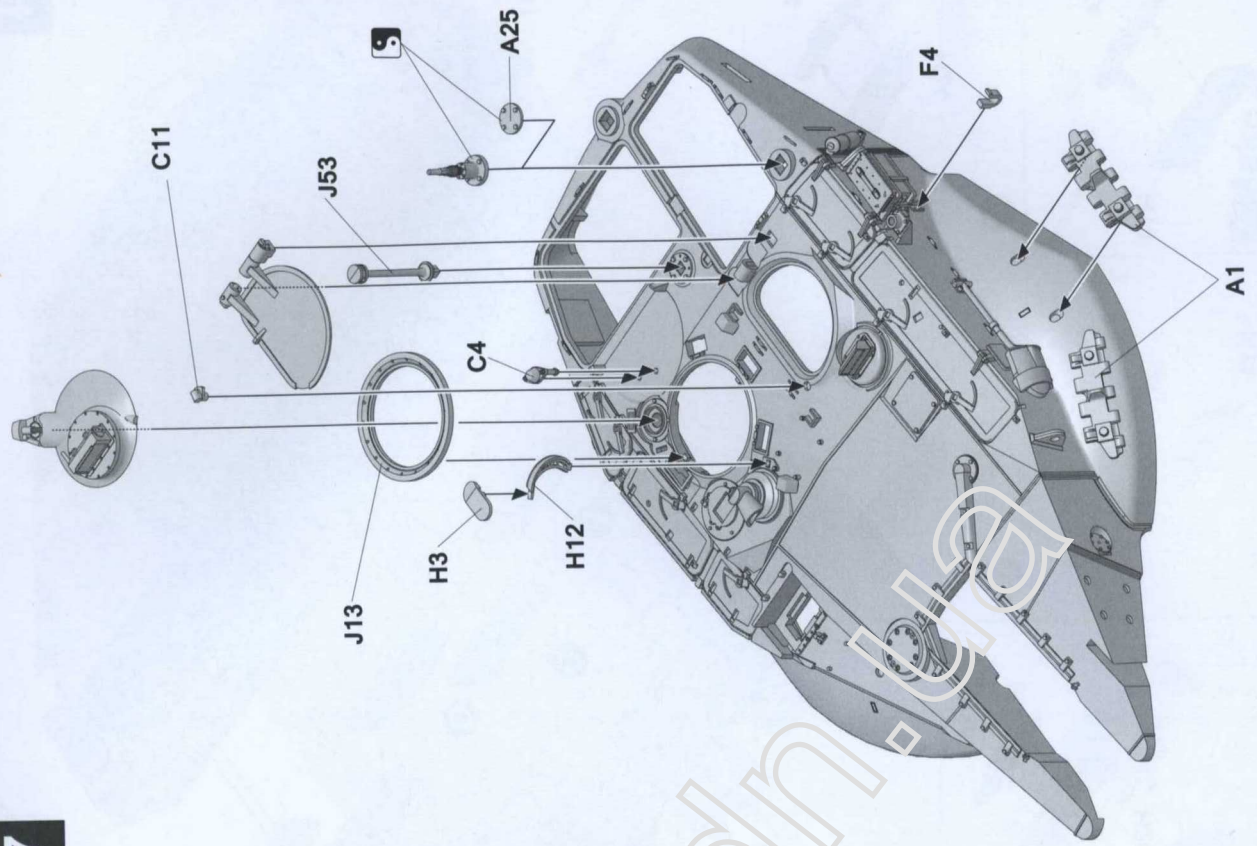
15



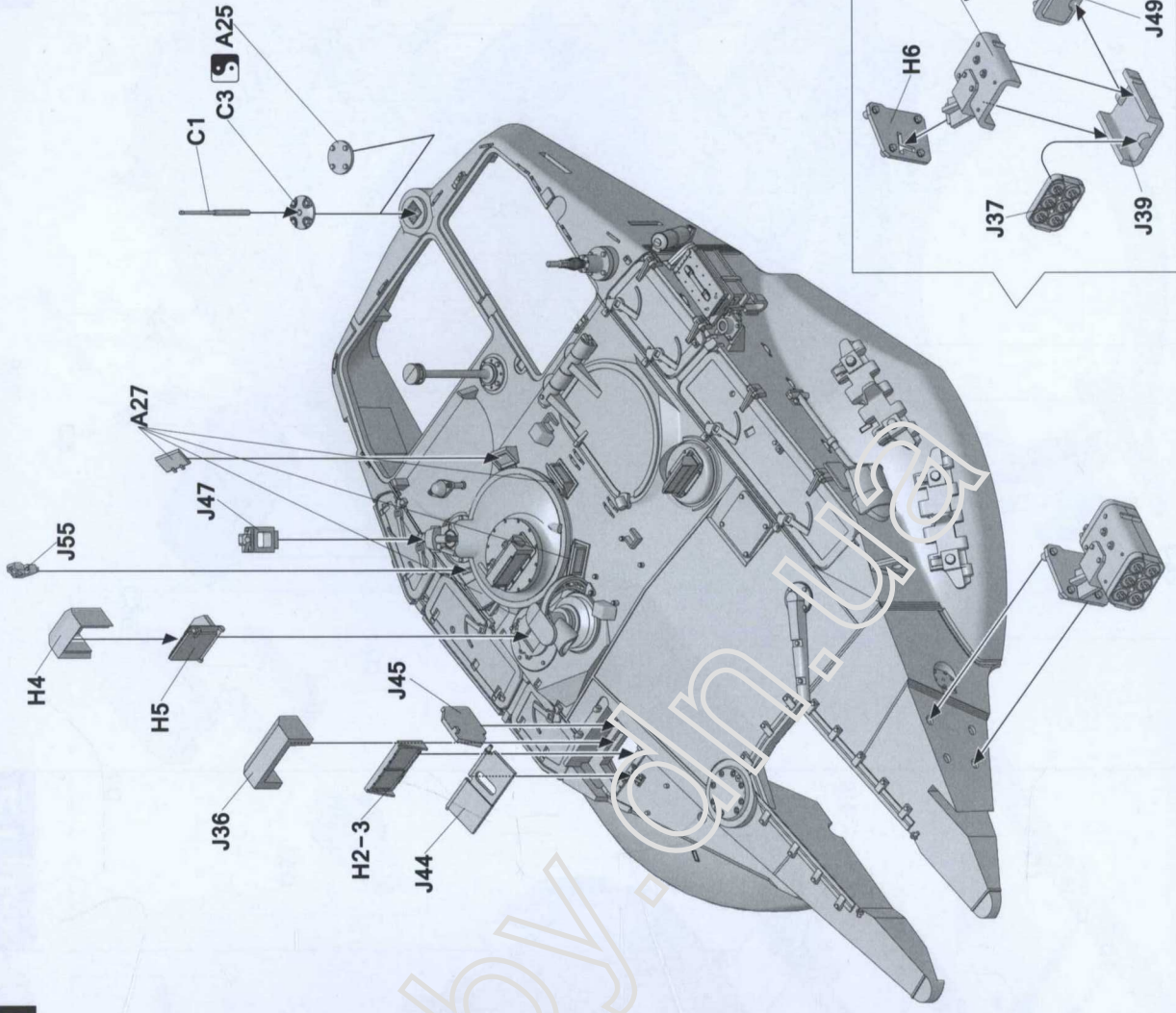
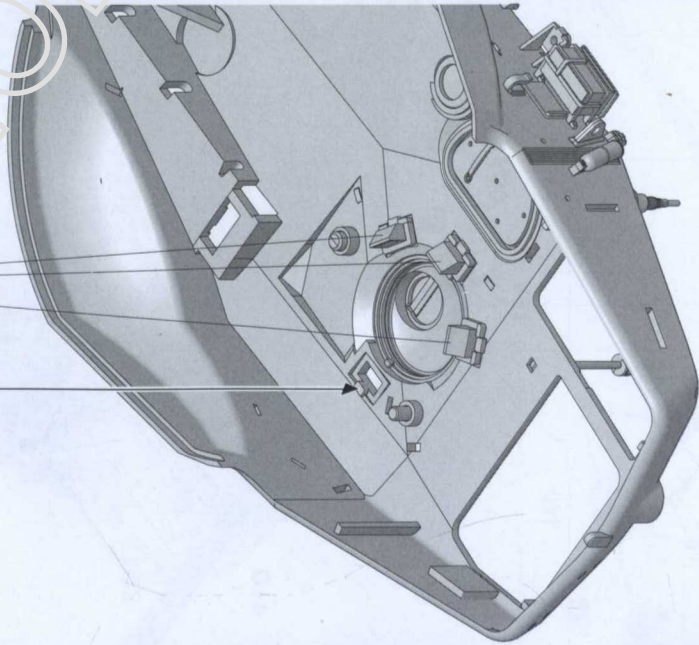
16

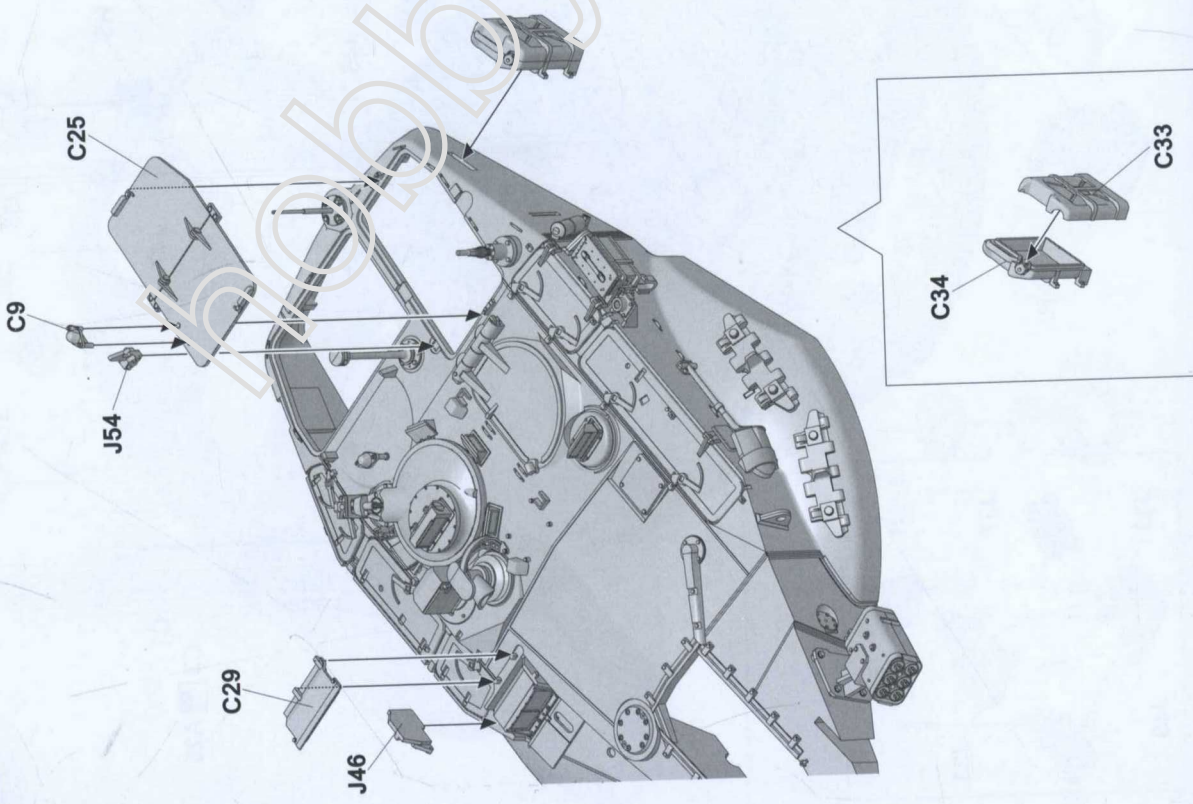
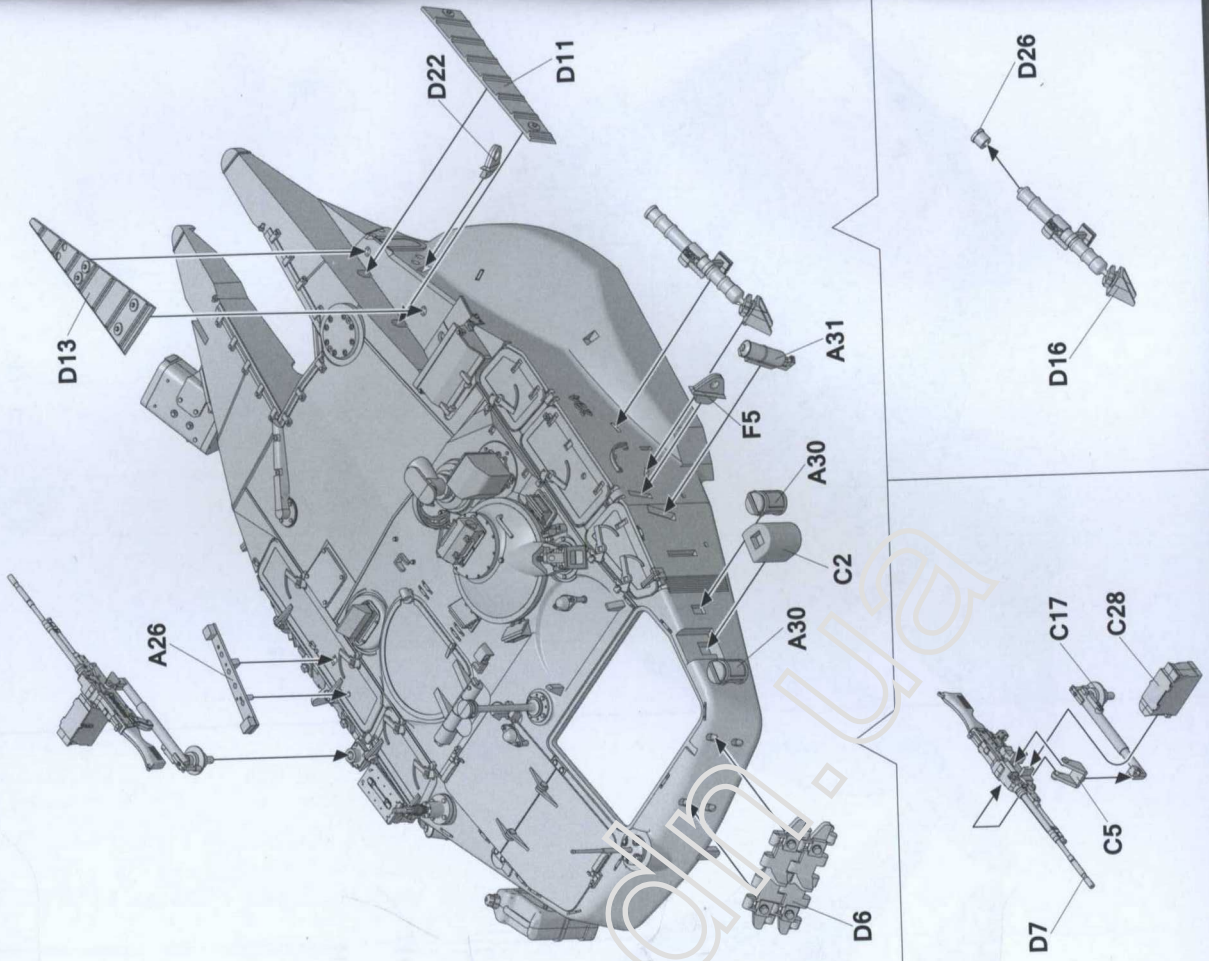


17



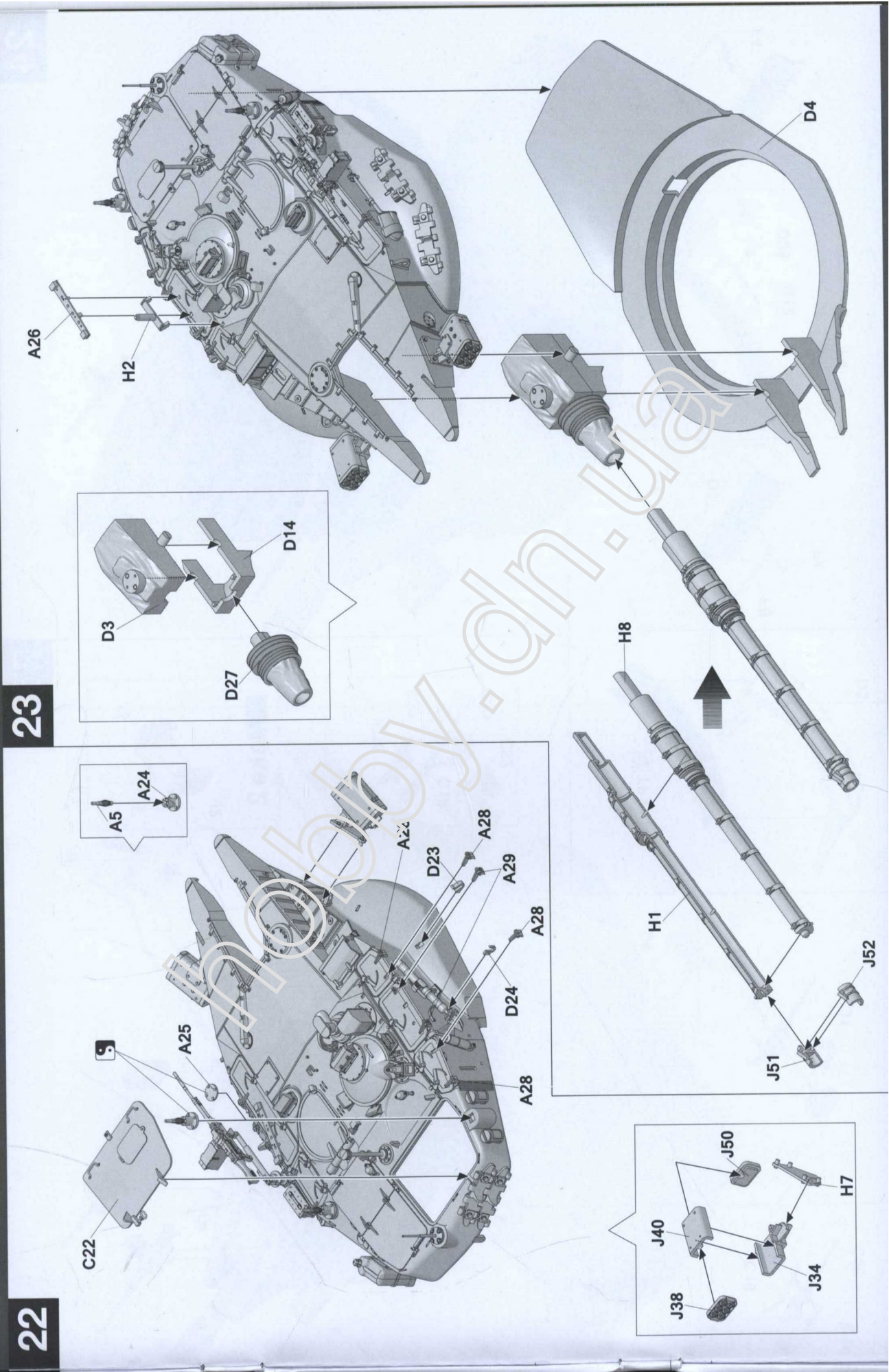
H2-1

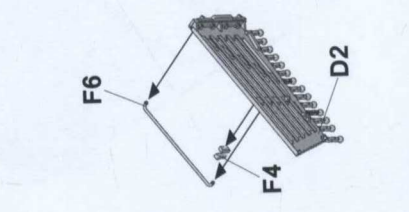
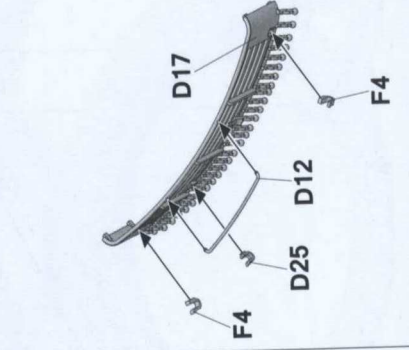
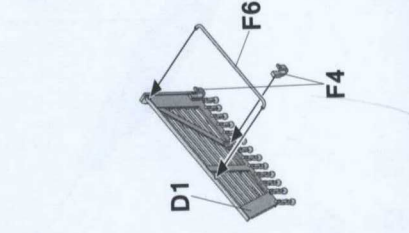
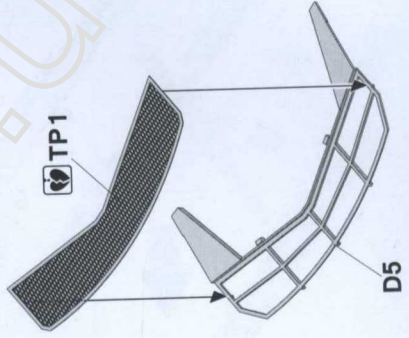
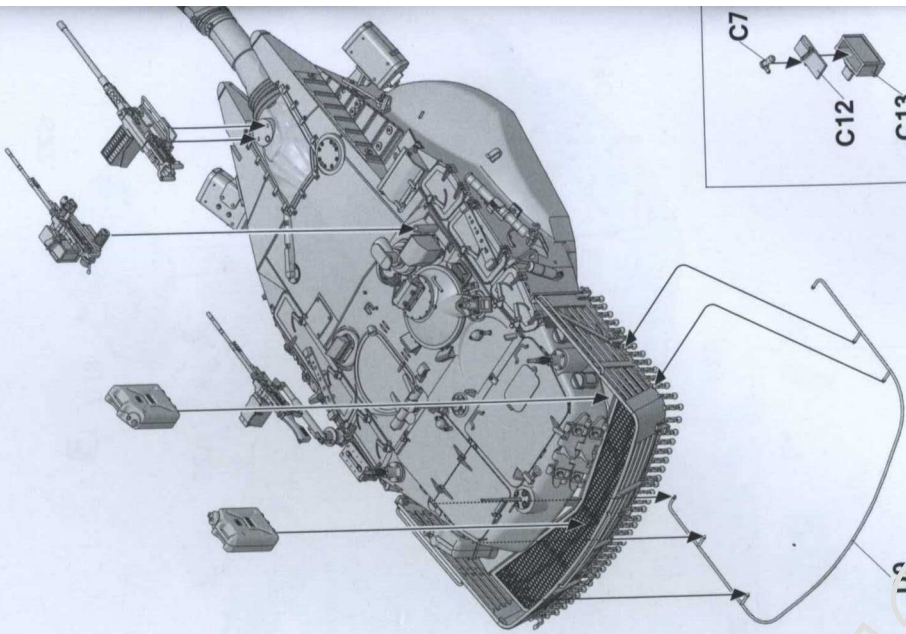
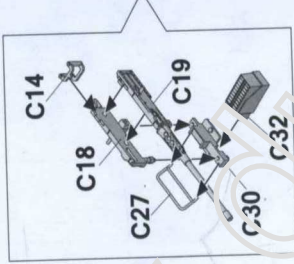
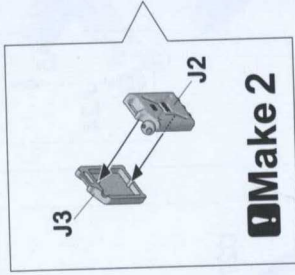
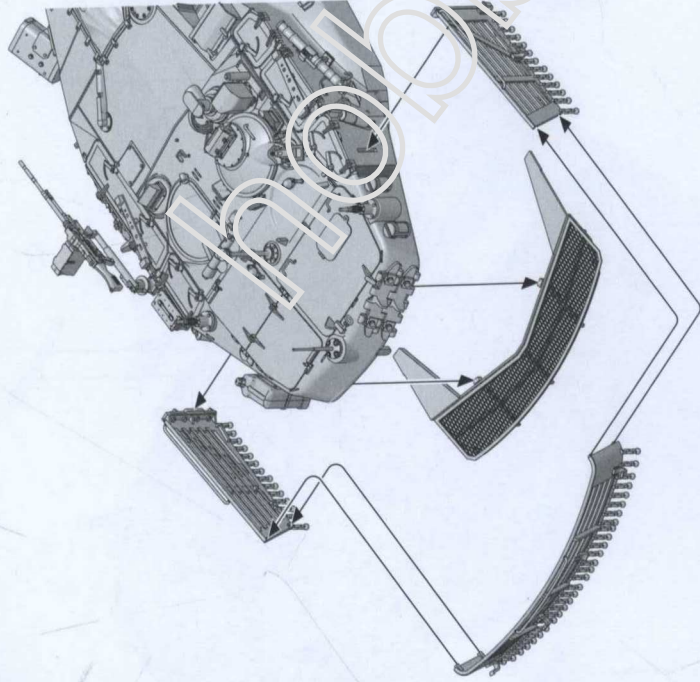


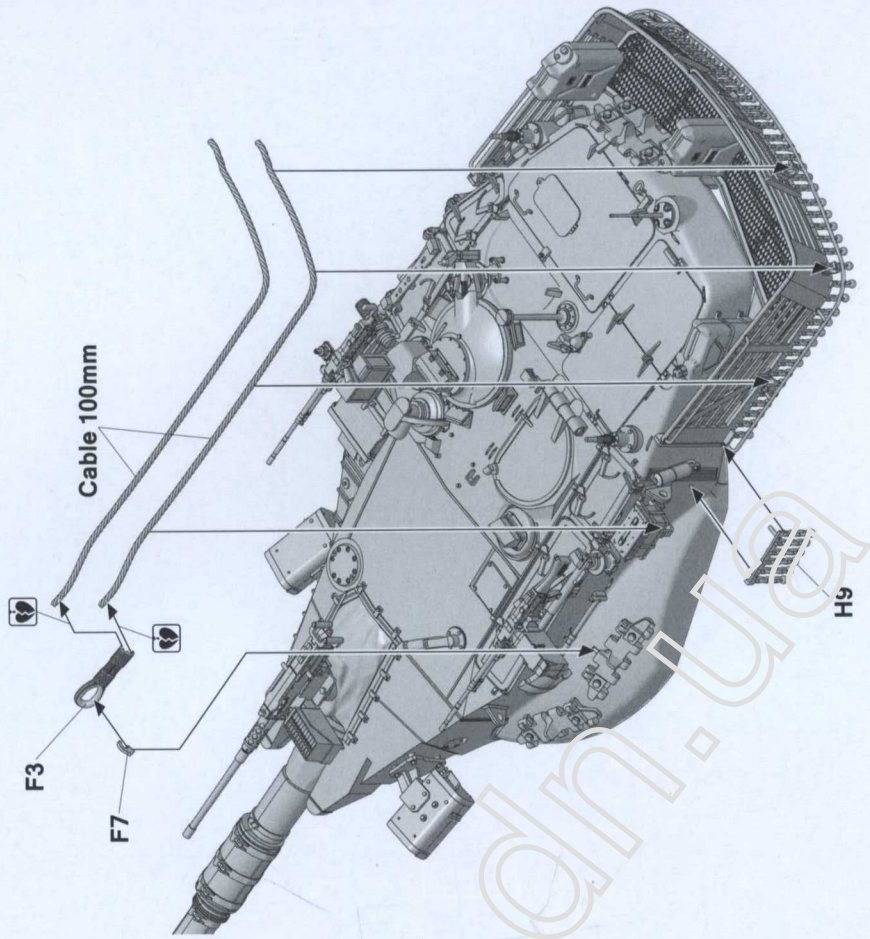
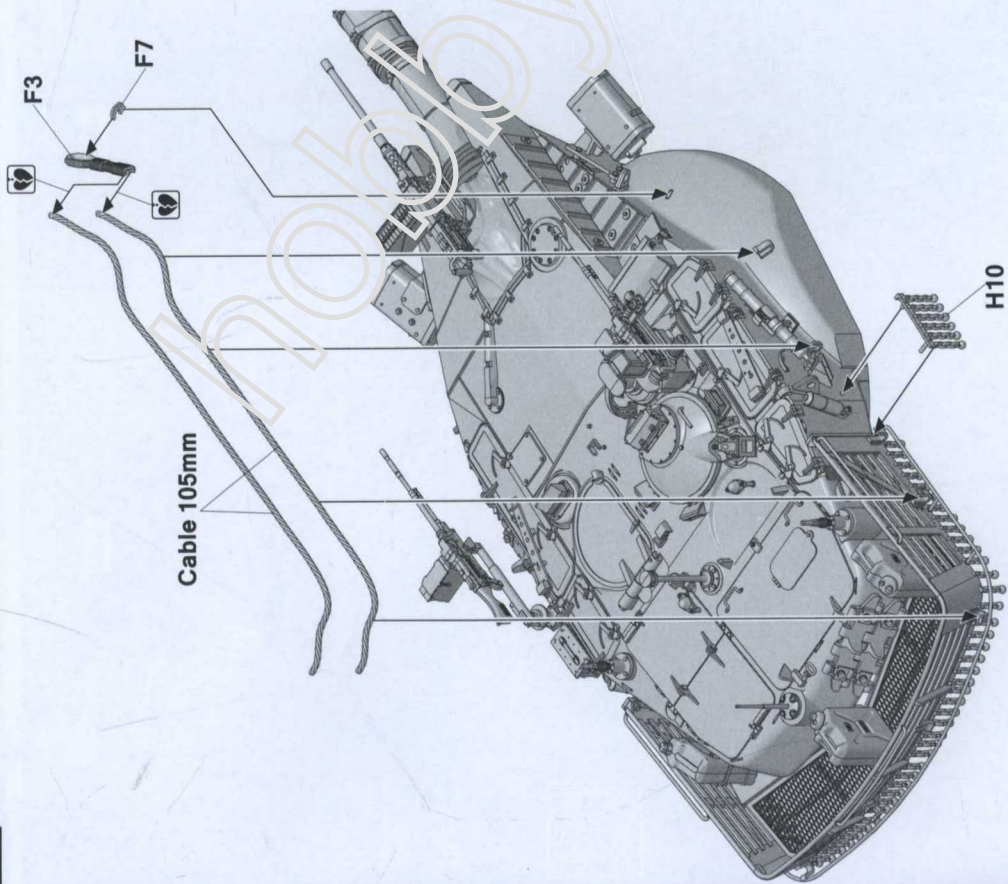


23

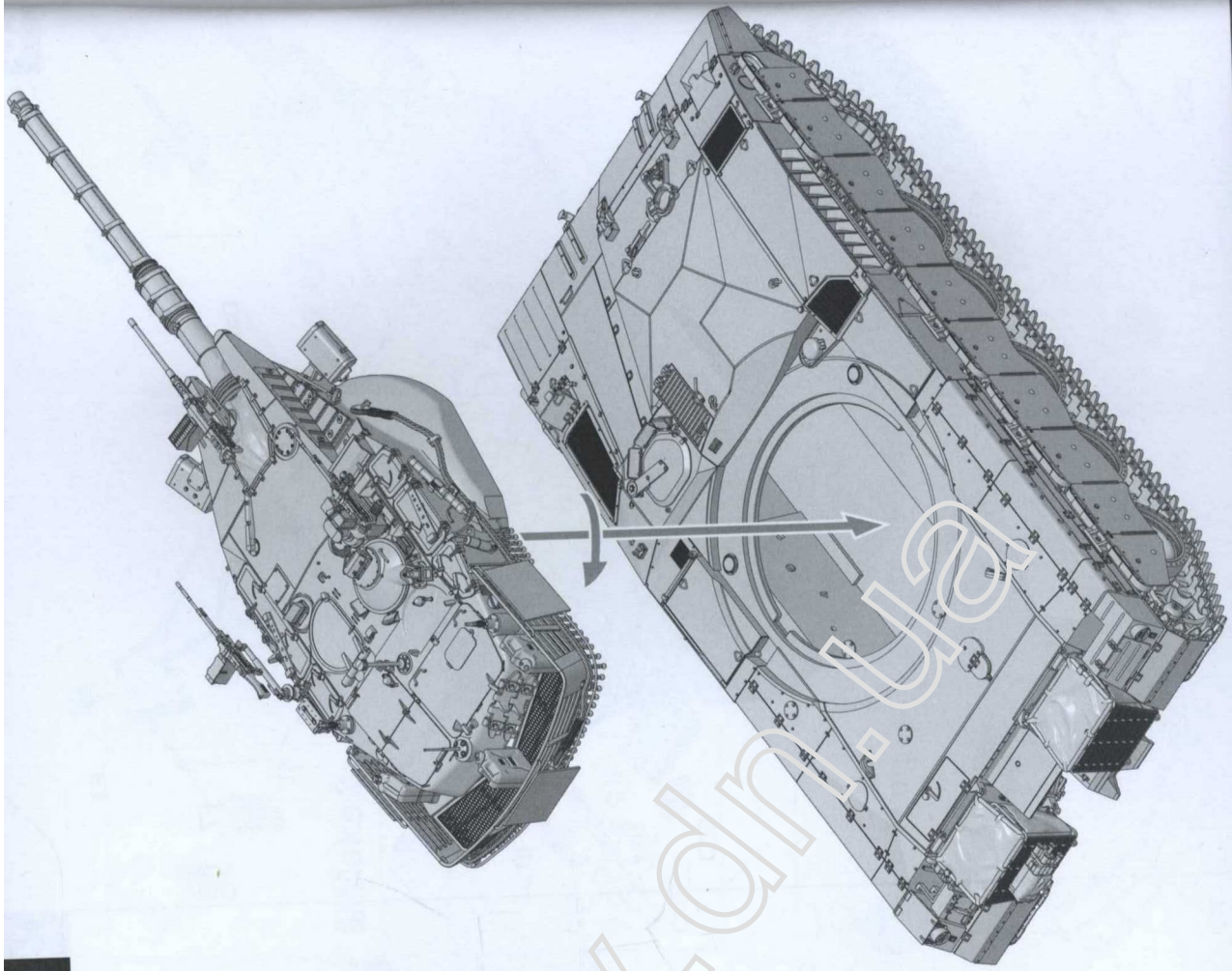
22



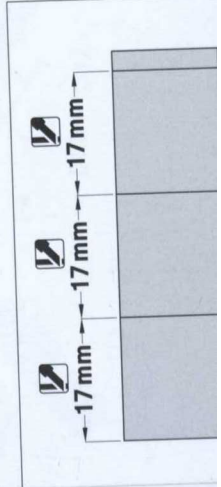
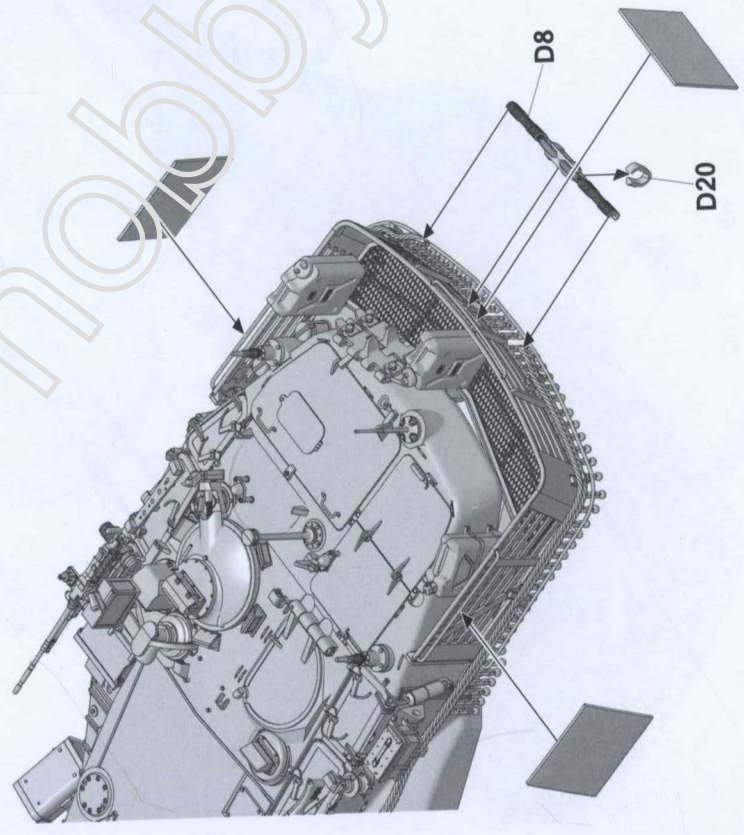




29



28



hobby.dn.ua

03.03.2079



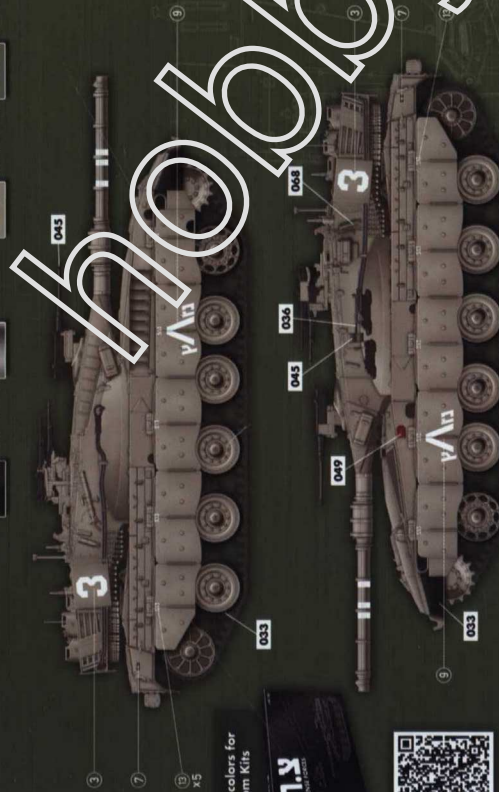
Color info and profiles by

MERKAVA MK.1 HYBRID



Painting and Marking Guide

A.MIG 033	Rubber & Tires	A.MIG 035	Dark Tracks	A.MIG 045	Gun Metal
A.MIG 047	Satin White	A.MIG 049	Red	A.MIG 094	Cystal Glass
A.MIG 095	Cystal Smoke	A.MIG 195	Silver	A.MIG 068	DF Green
				A.MIG 036	Old Wood
				A.MIG 093	Cystal Red
				A.MIG 067	Light Sand Grey



Specific colors for Takom Kits



03.03.2079



MERKAVA MK.1 HYBRID



Color info and profiles by

Painting and Marking Guide

A.MIG 033	Rubber & Tires	A.MIG 035	Dark Tracks	A.MIG 045	Gun Metal
A.MIG 047	Satin White	A.MIG 049	Red	A.MIG 094	Cystal Glass
A.MIG 095	Cystal Smoke	A.MIG 195	Silver	A.MIG 068	DF Green
				A.MIG 036	Old Wood
				A.MIG 093	Cystal Red
				A.MIG 067	Light Sand Grey



Specific colors for Takom Kits

