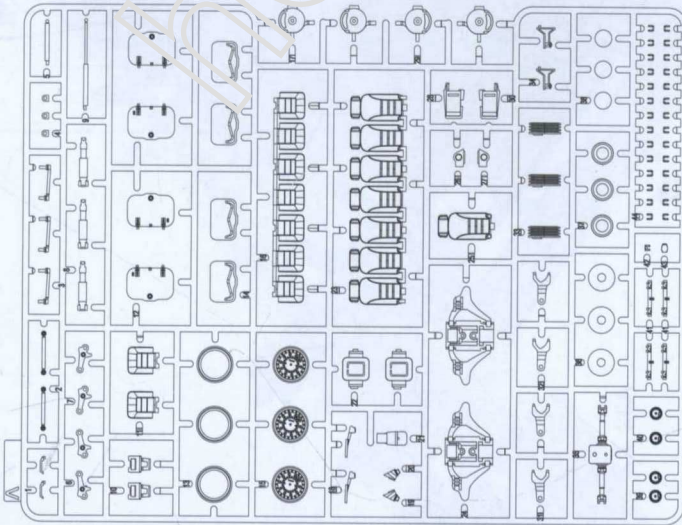
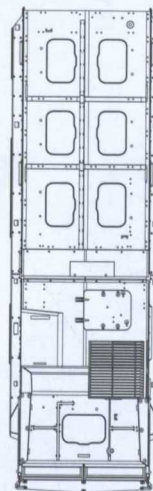
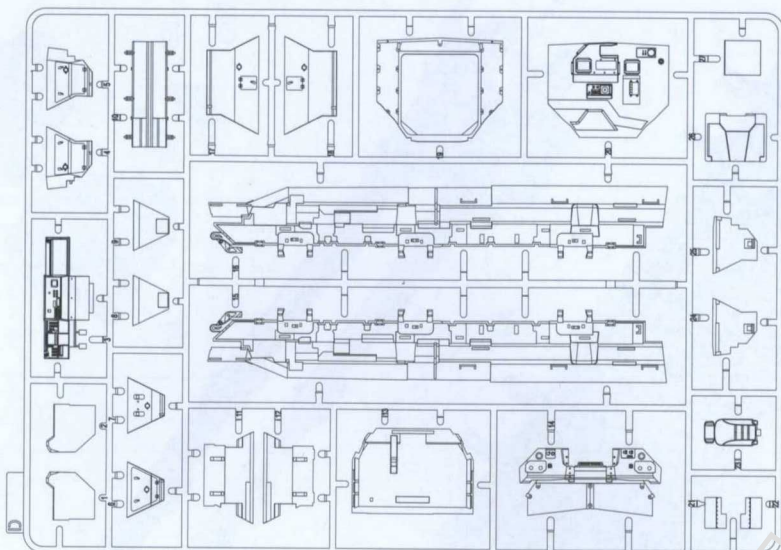
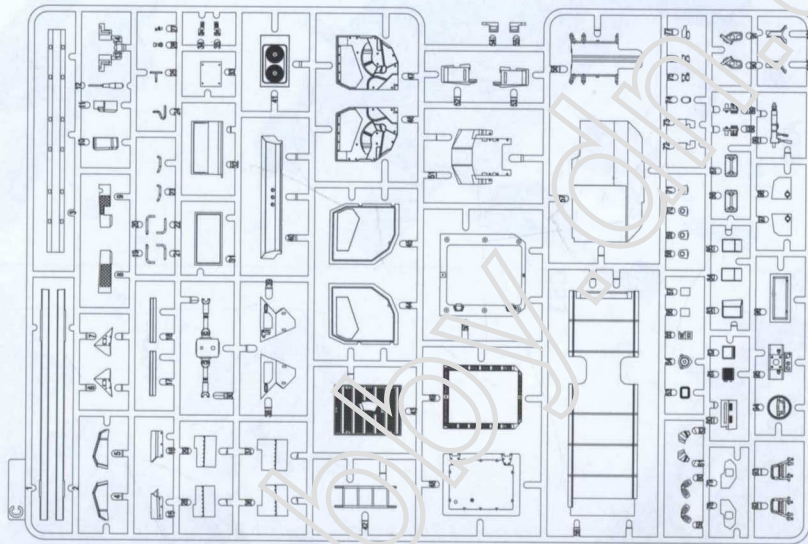


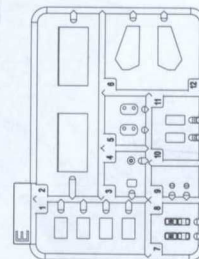
PARTS



X2



Upper Hull



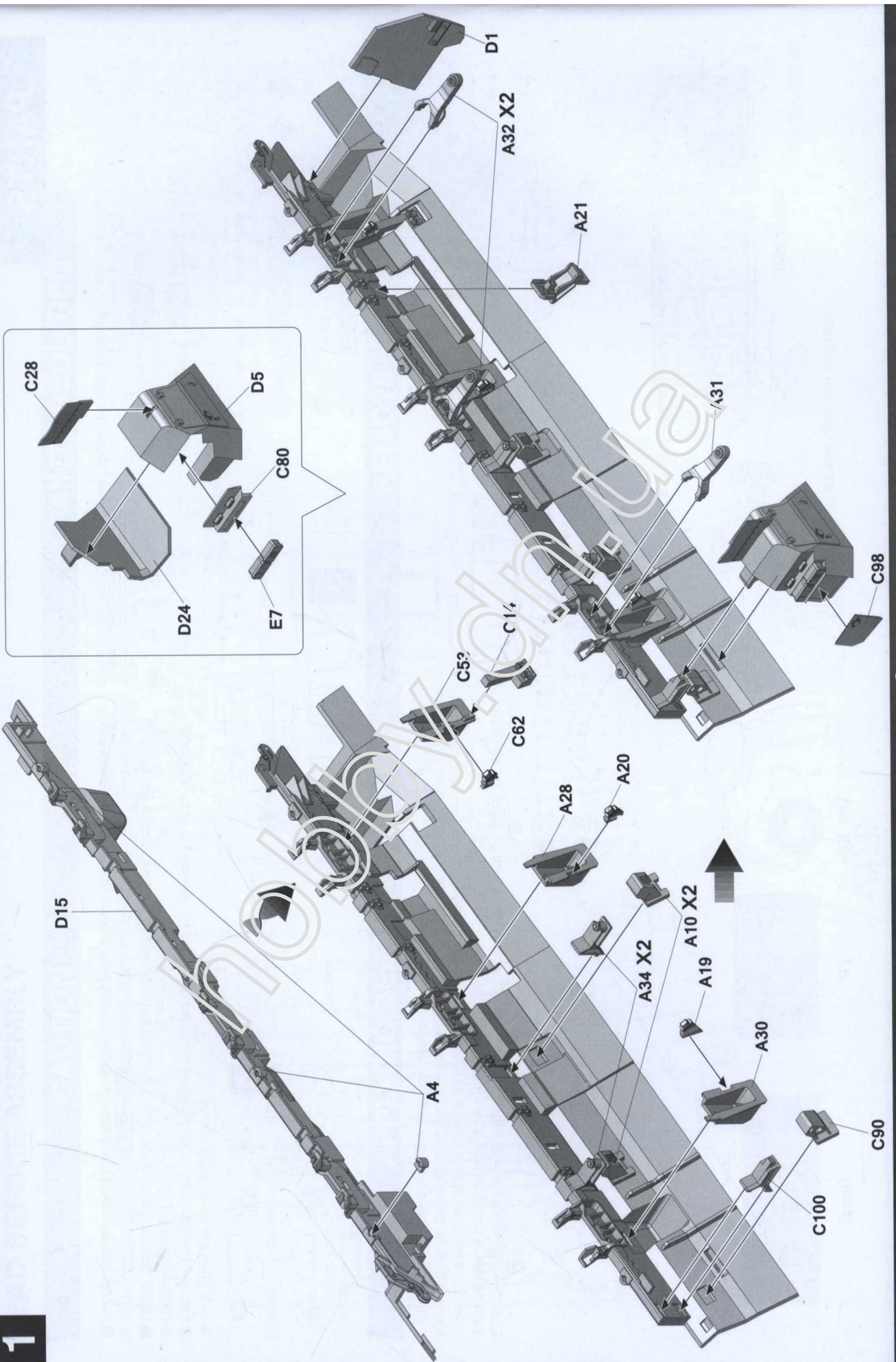
Tire X6



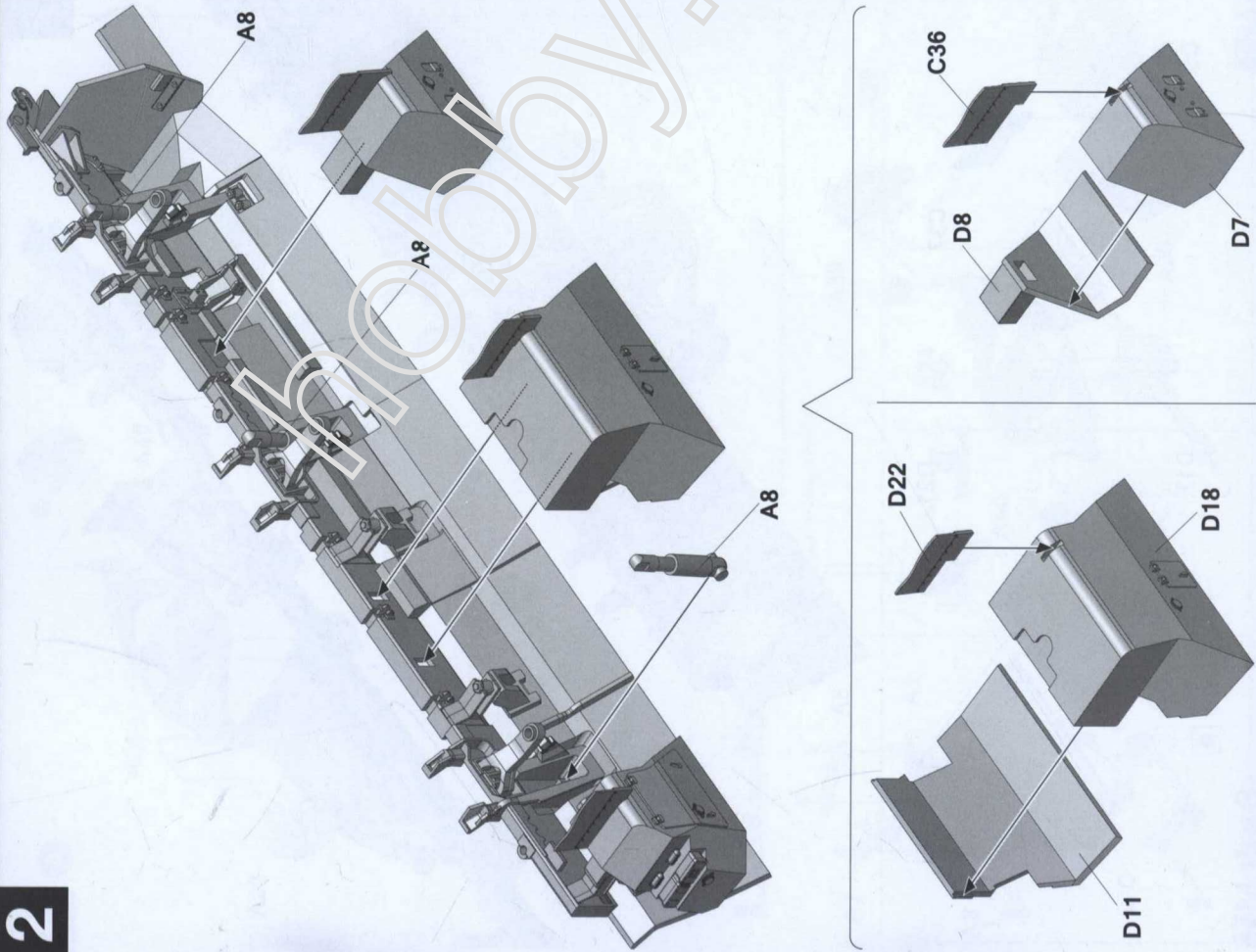
TP



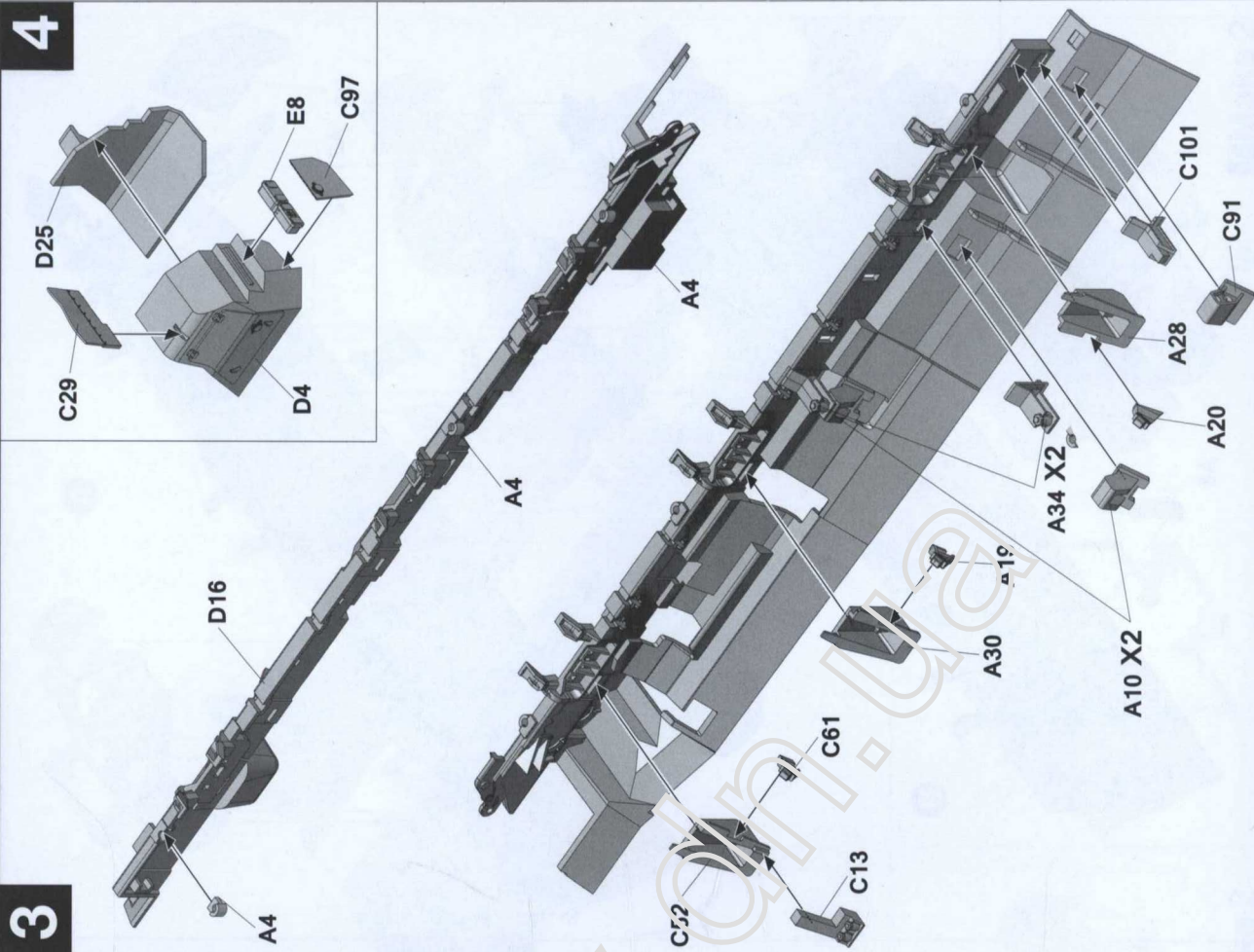
Decal



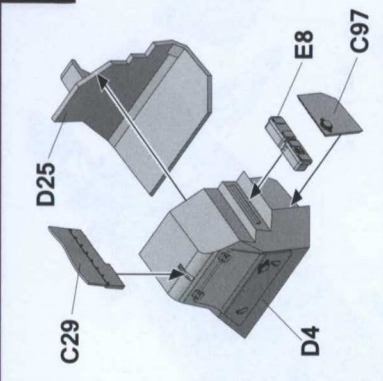
2



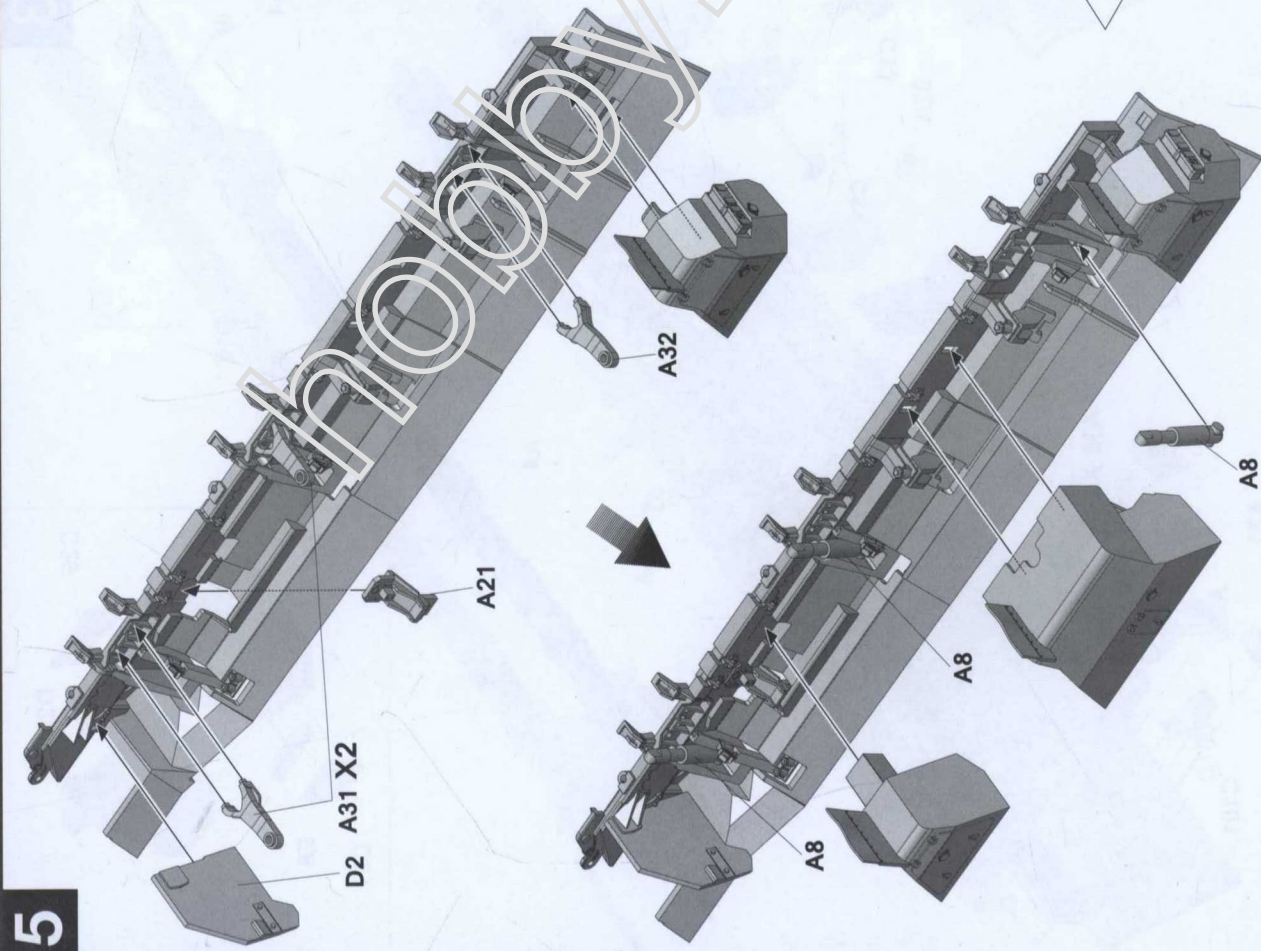
3



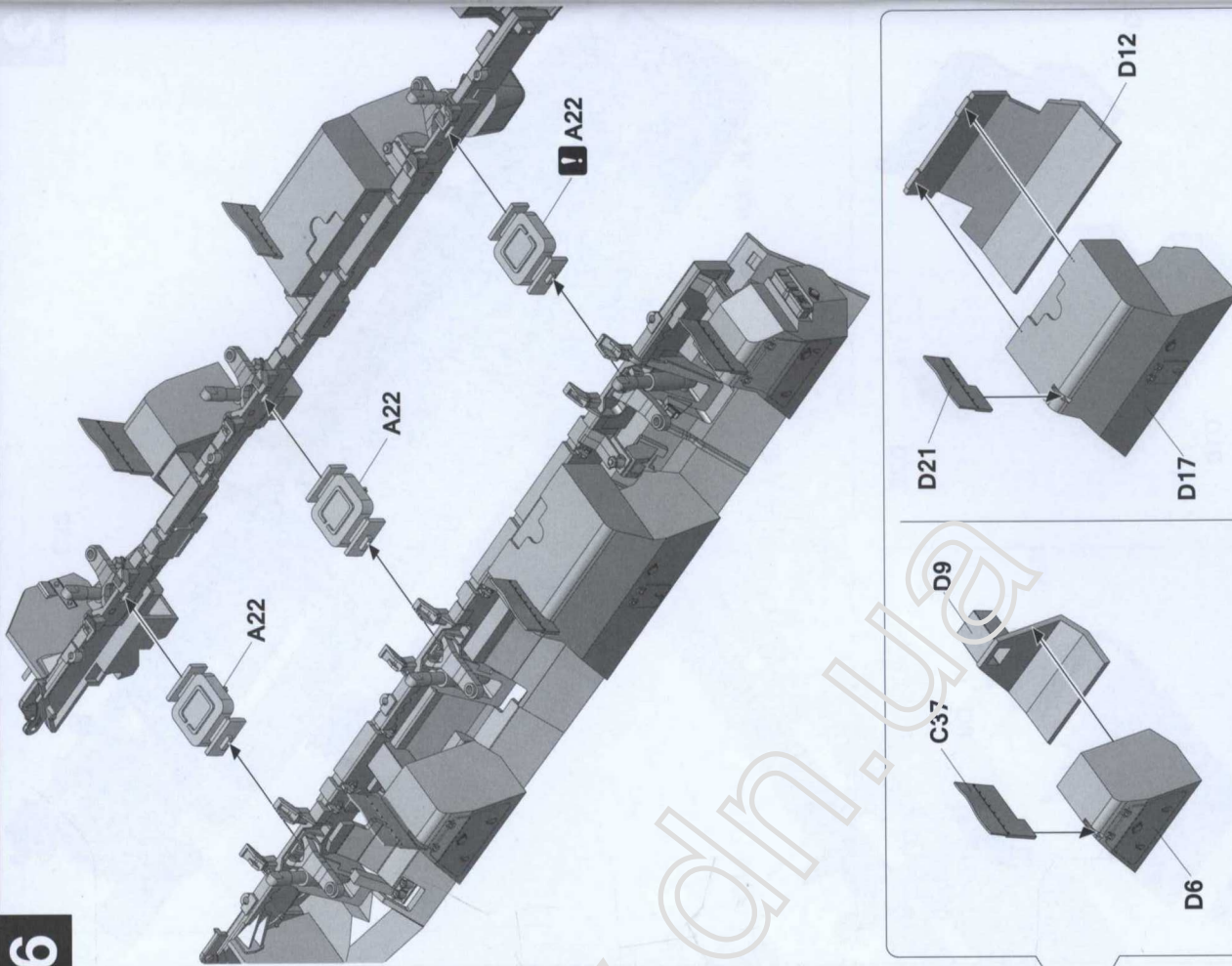
4



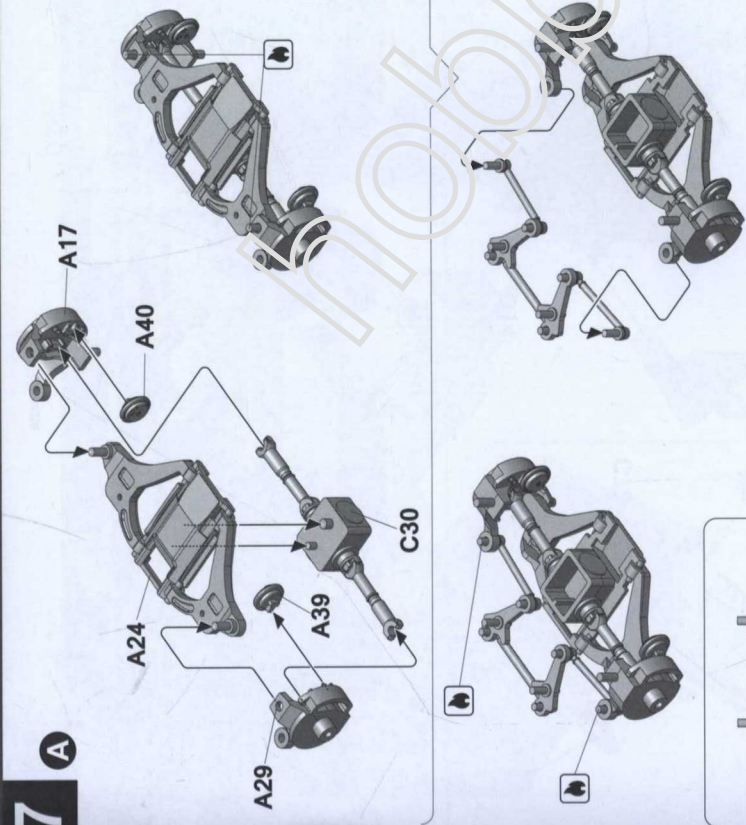
5



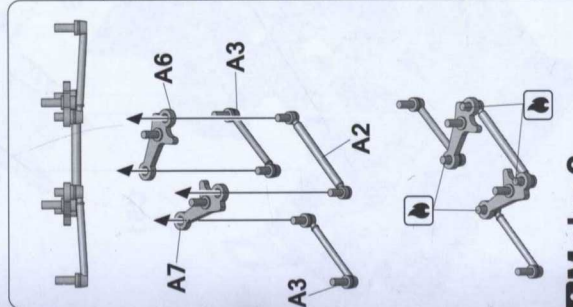
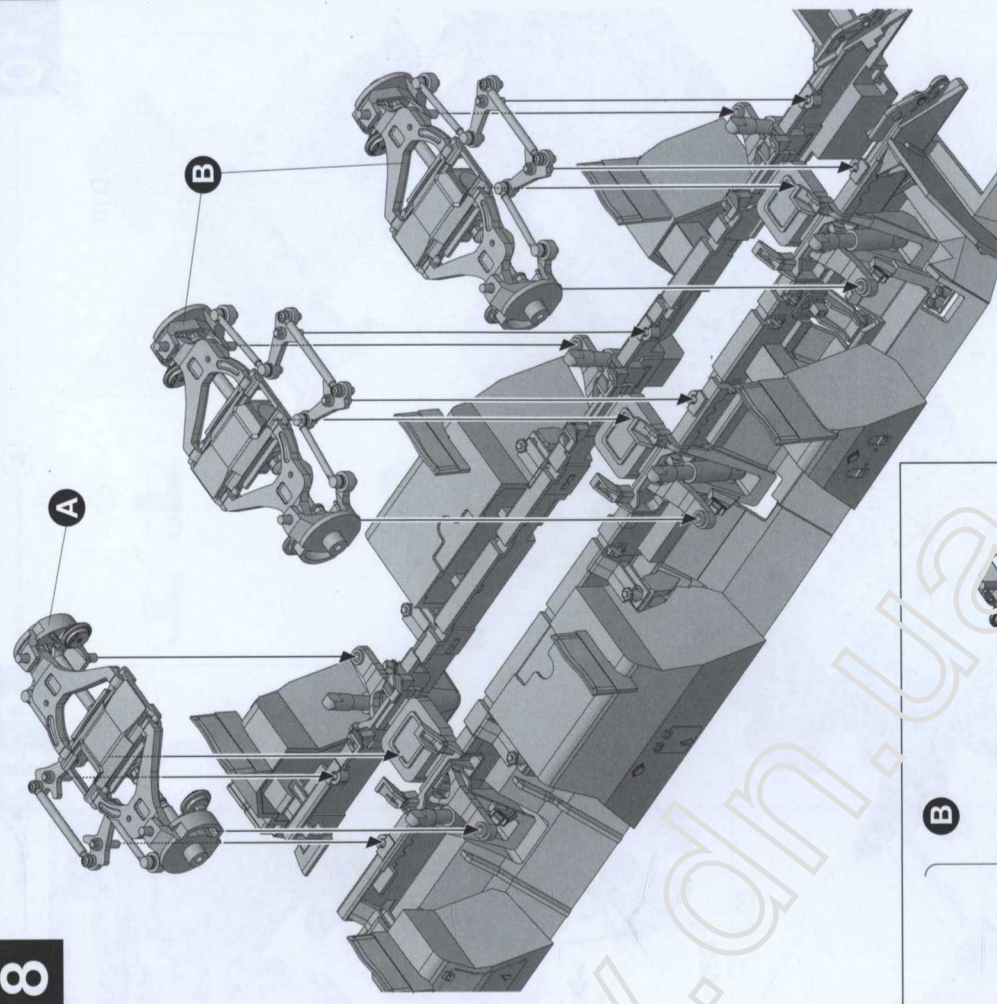
6



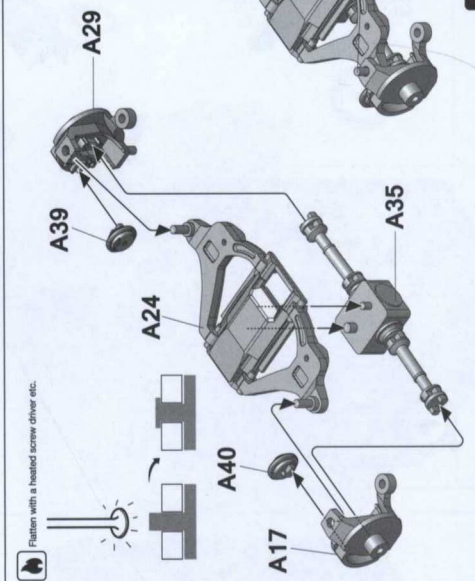
7



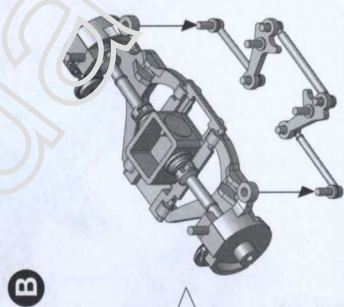
8



Make 3



Make 2



Make 2

Flatten with a heated screw driver etc.

10

Flatten with a headed screw driver etc.

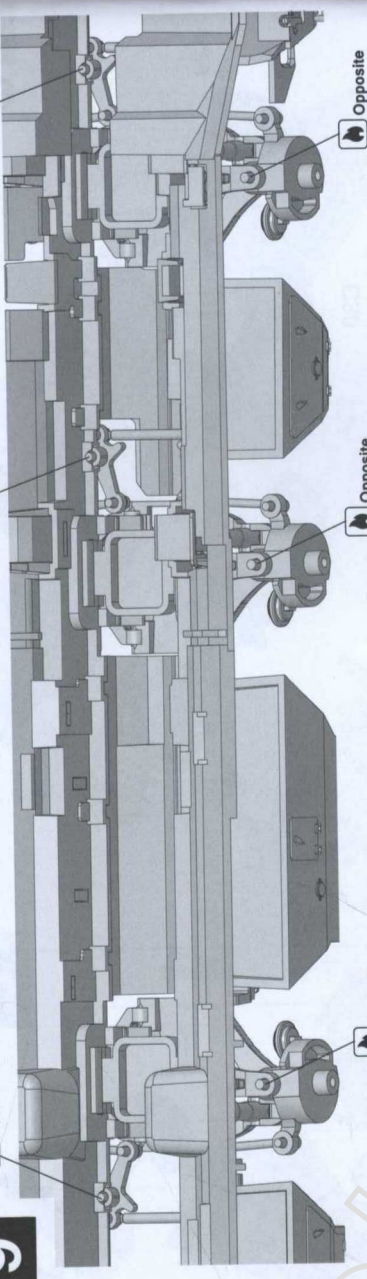


9

Opposite

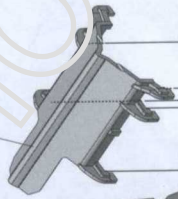
Opposite

Opposite



D10

C-58

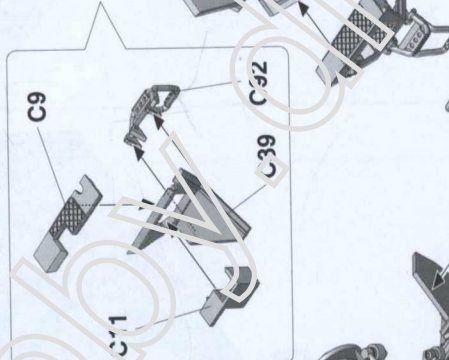


C9

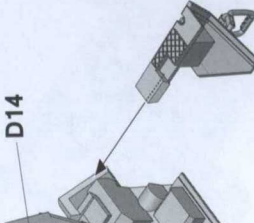
C11

C39

C42



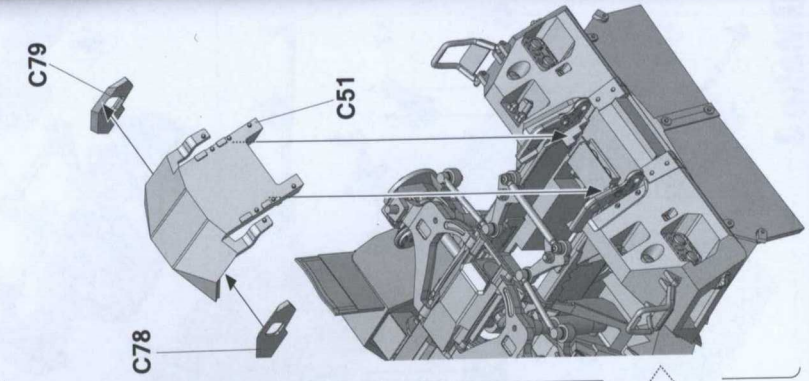
D14



C79

C78

C51

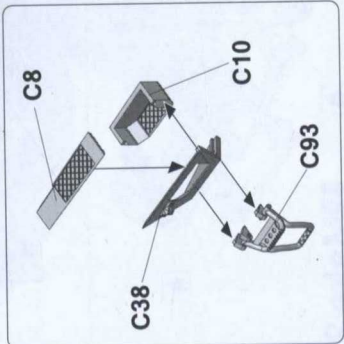


C8

C10

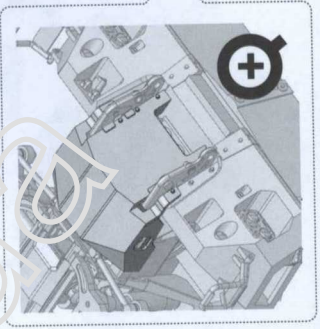
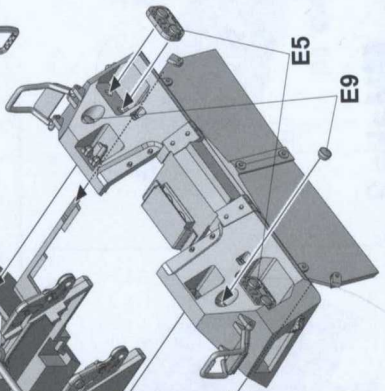
C93

C38

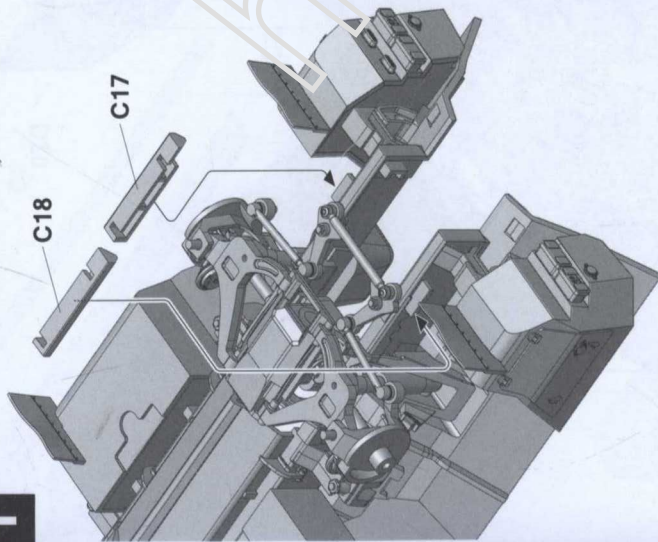


E5

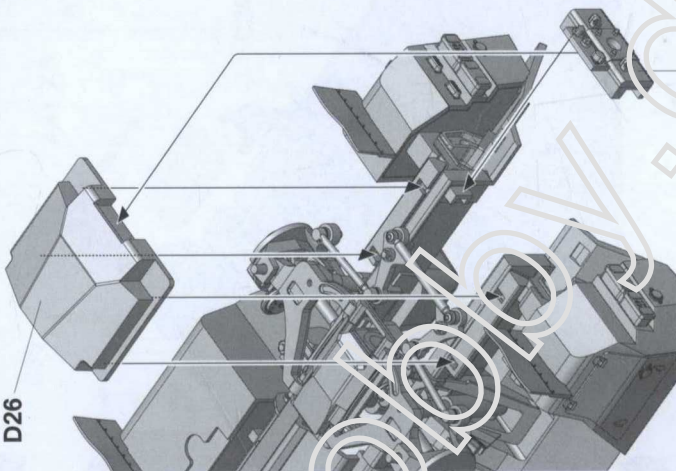
E9



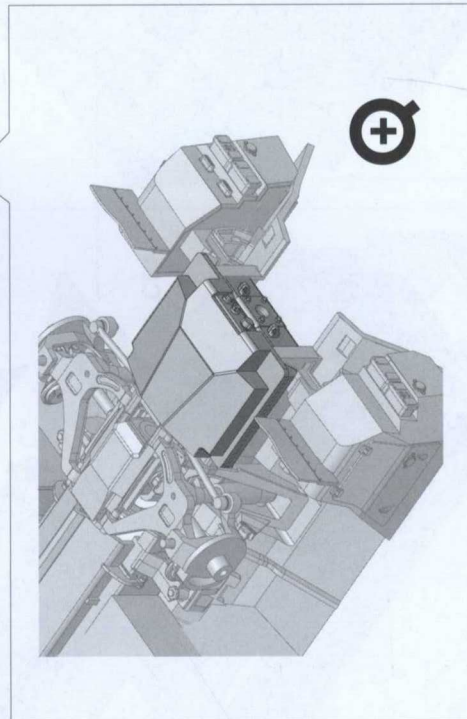
11



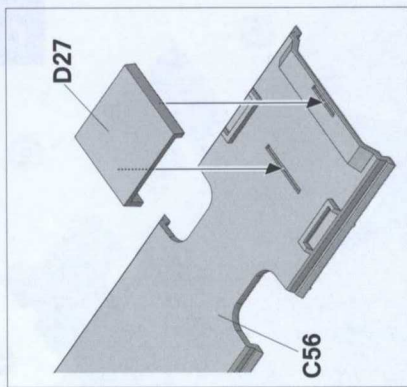
D26



C05

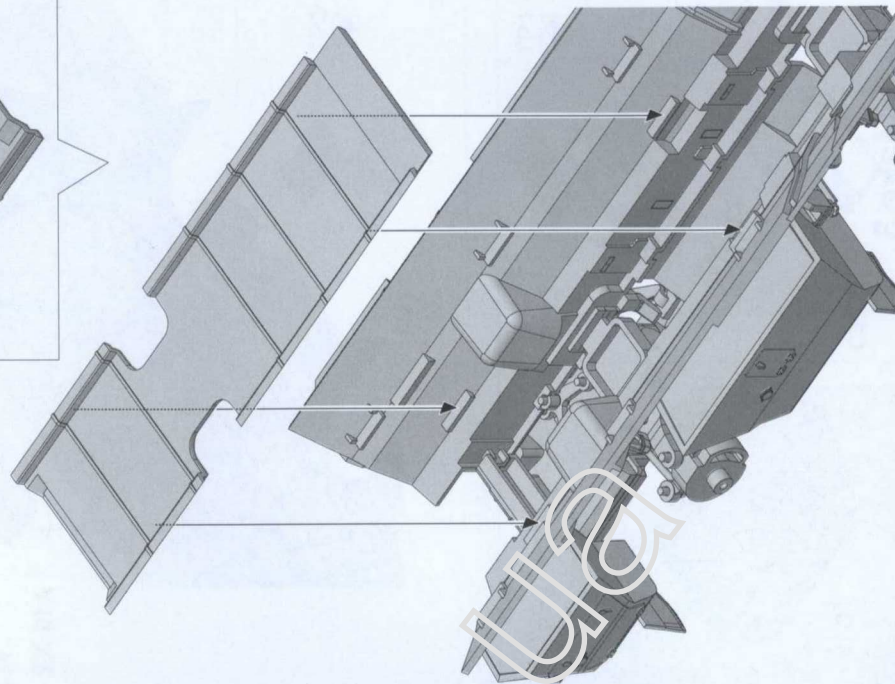


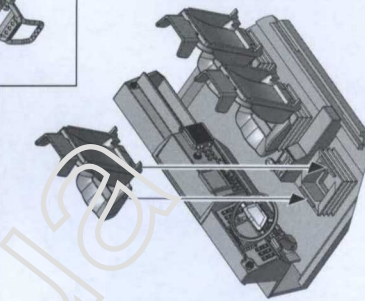
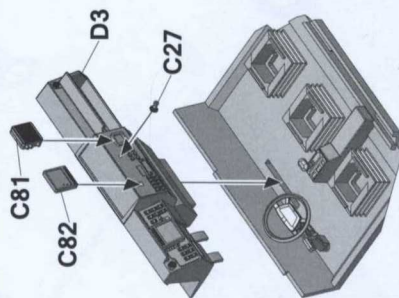
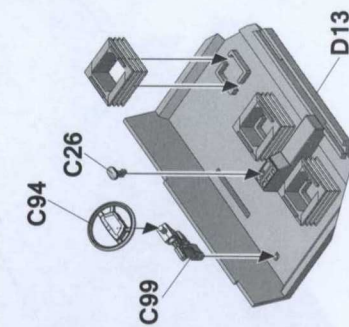
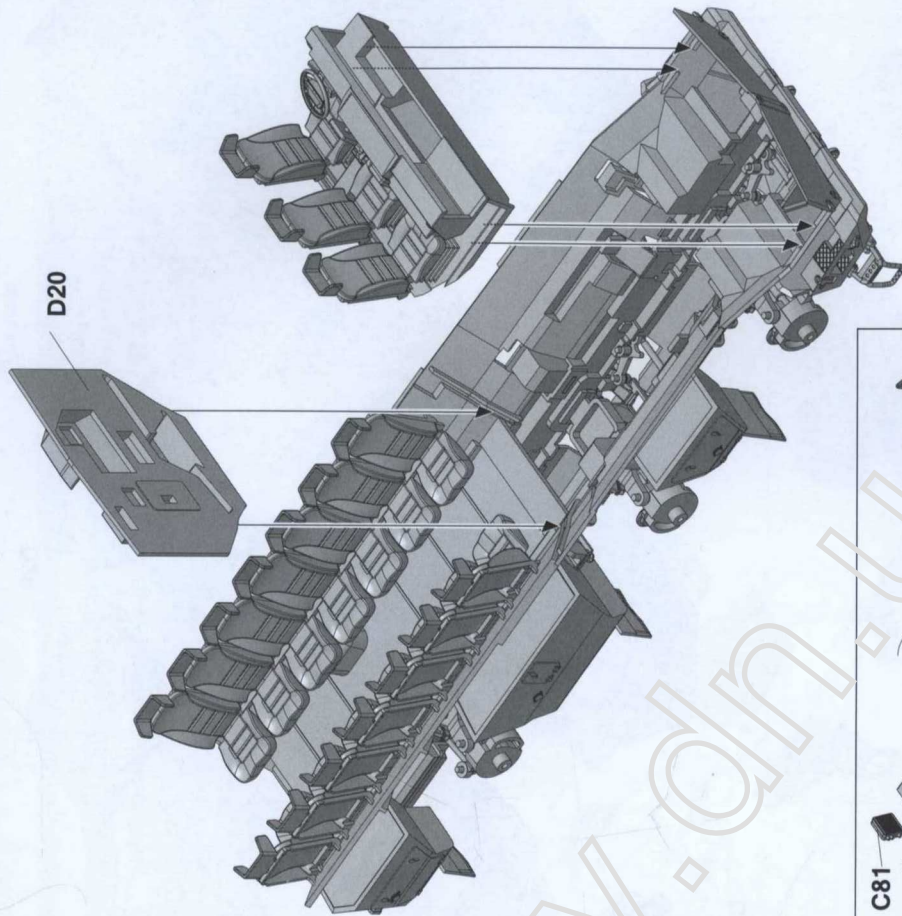
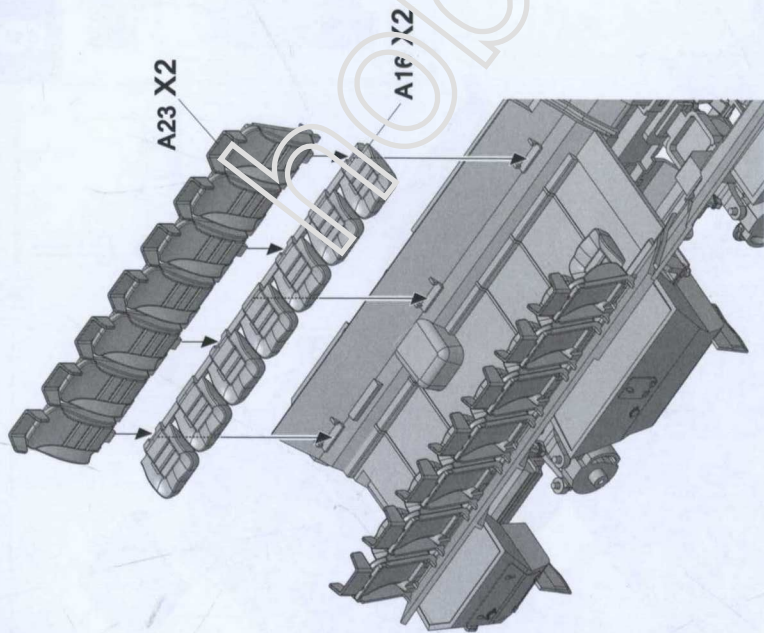
12



D27

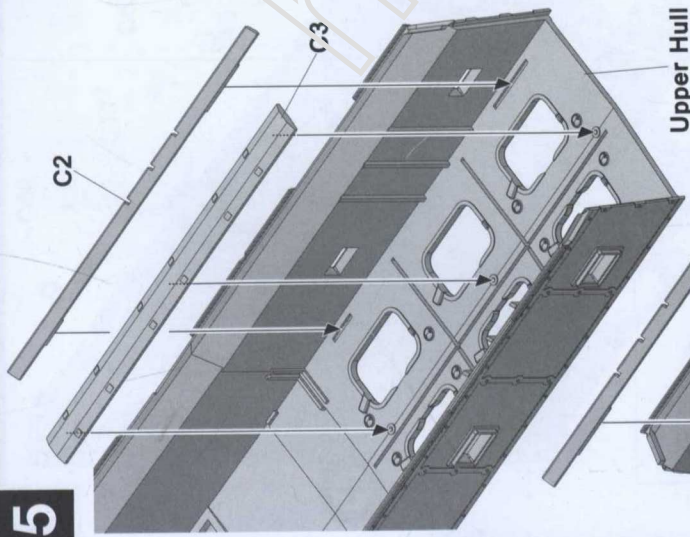
C56





Make 3

15

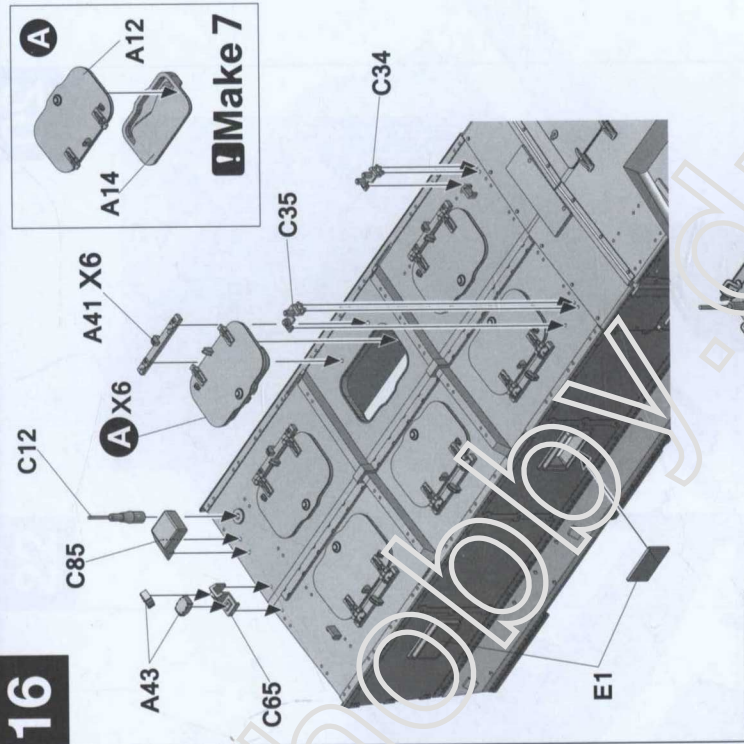


Upper Hull

C1

C57

16



A

A41 X6

A X6

C12

C85

A43

C65

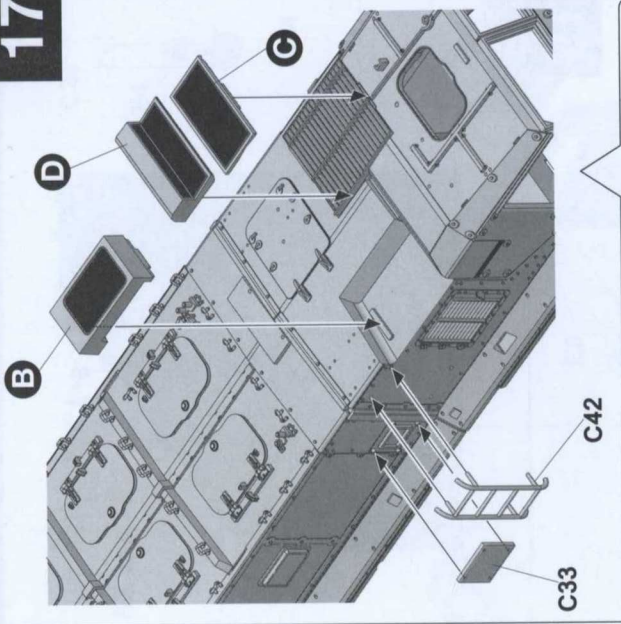
C34

C35

E1

Make 7

17



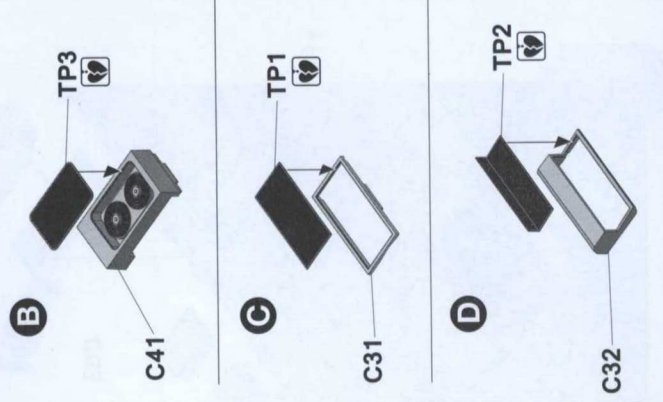
B

D

C

C42

C33



B

C41

TP3

C

C31

TP1

D

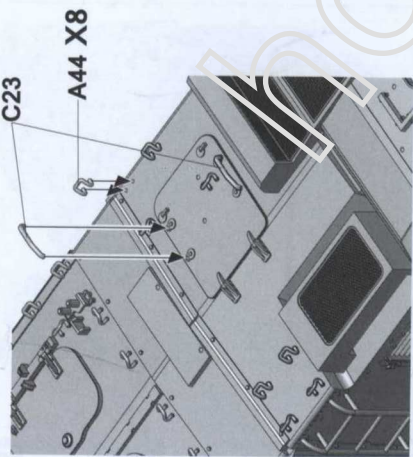
C32

TP2

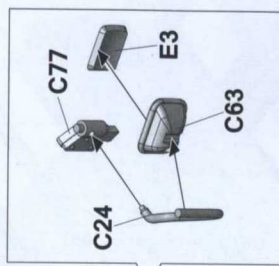
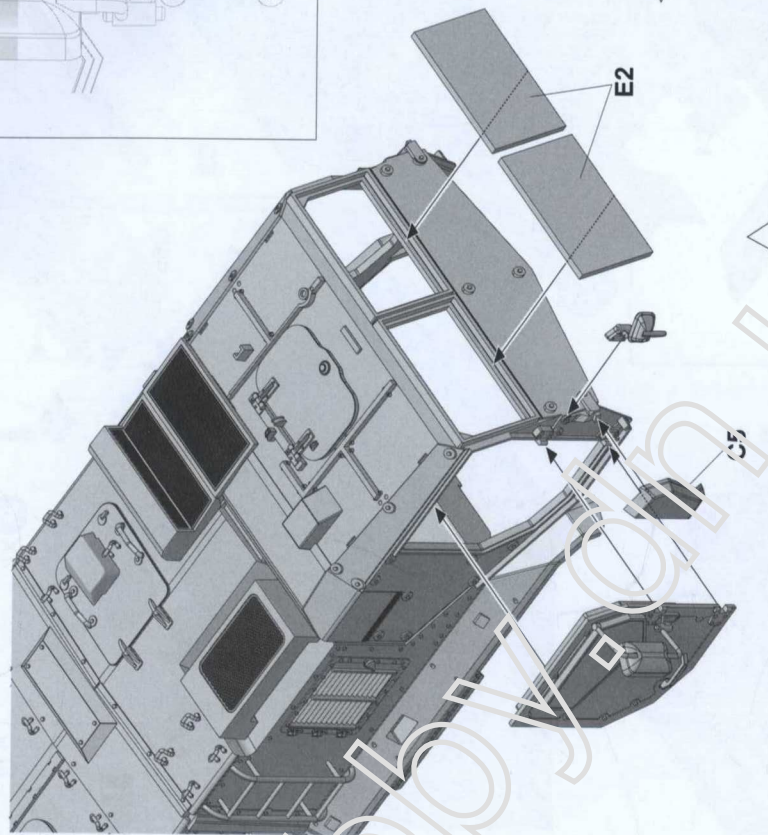
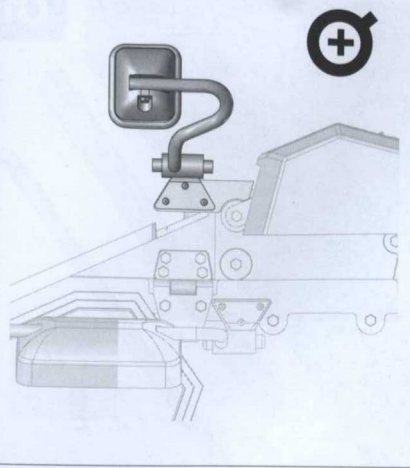
A44 X41



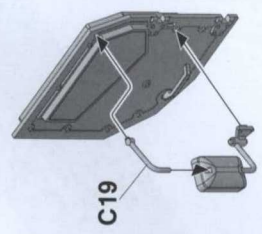
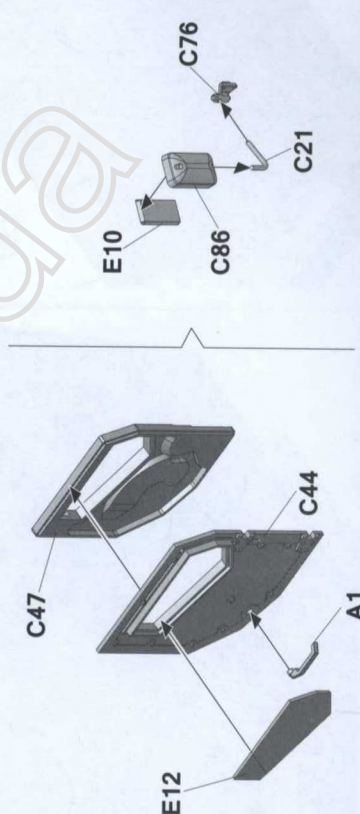
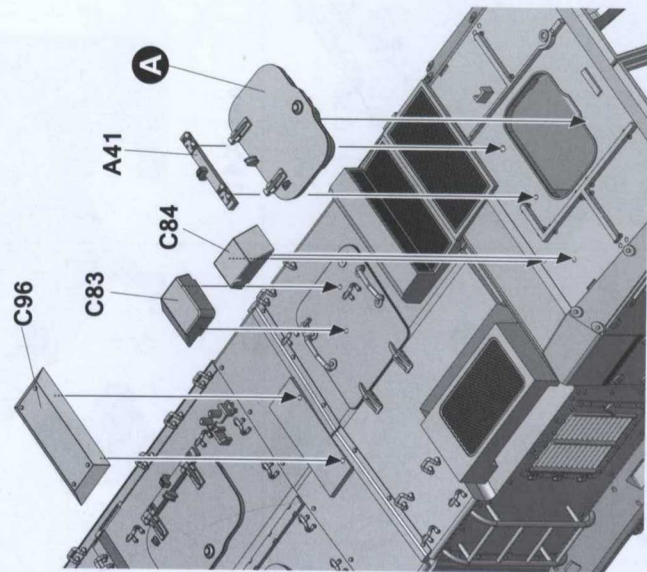
18



20

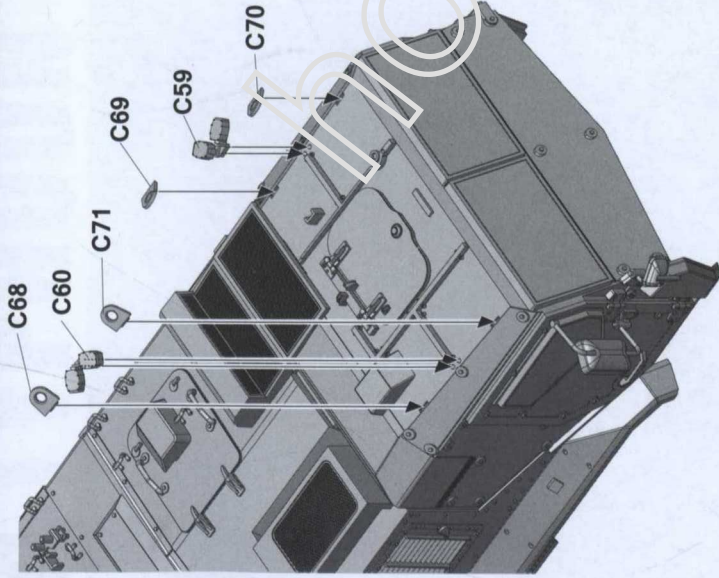


19

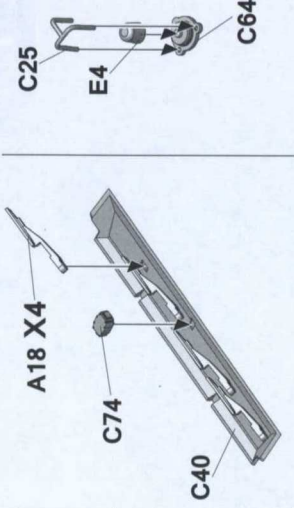
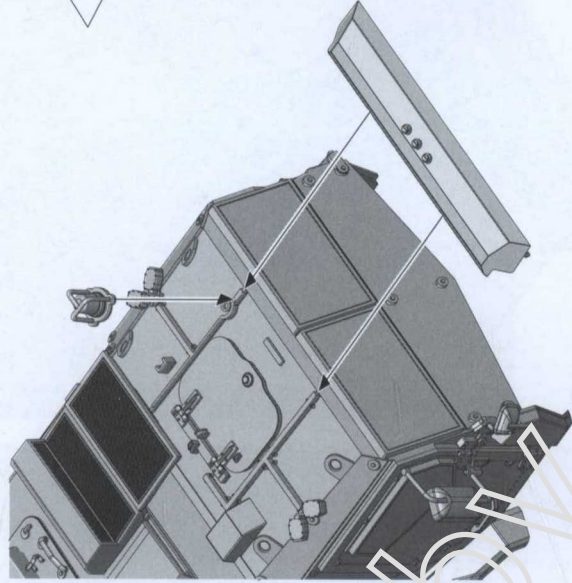


11

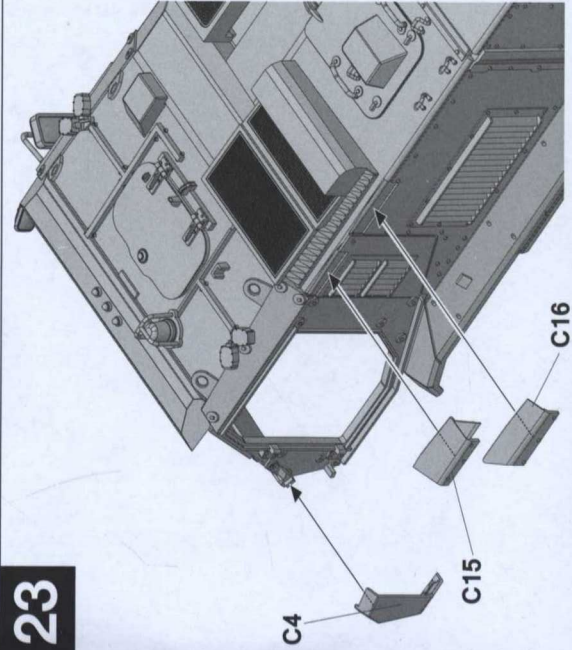
21



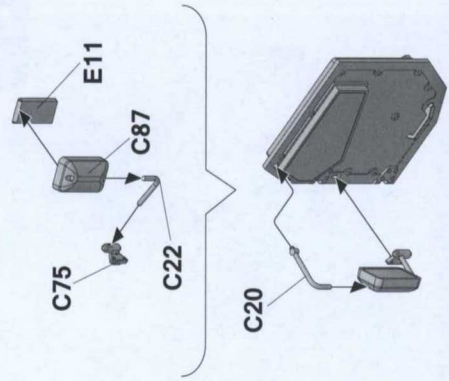
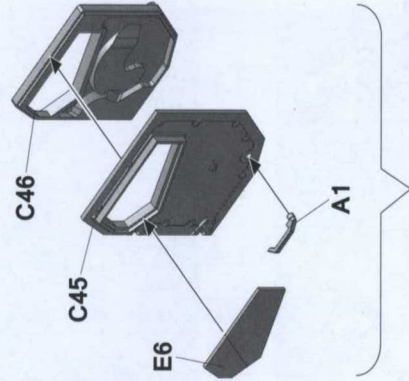
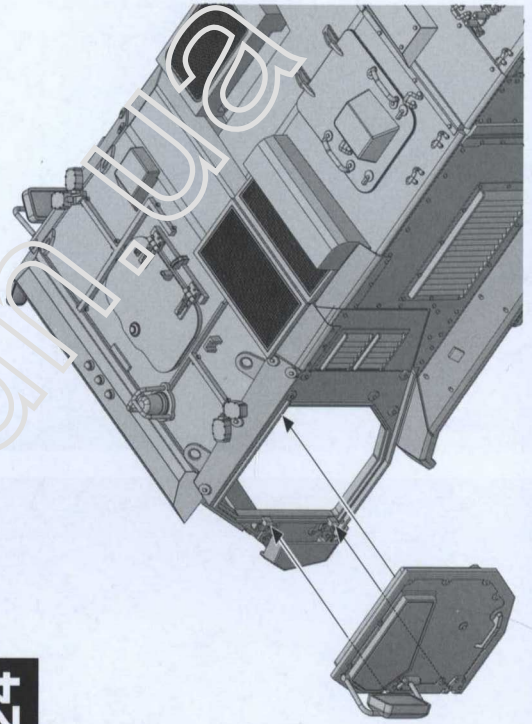
22



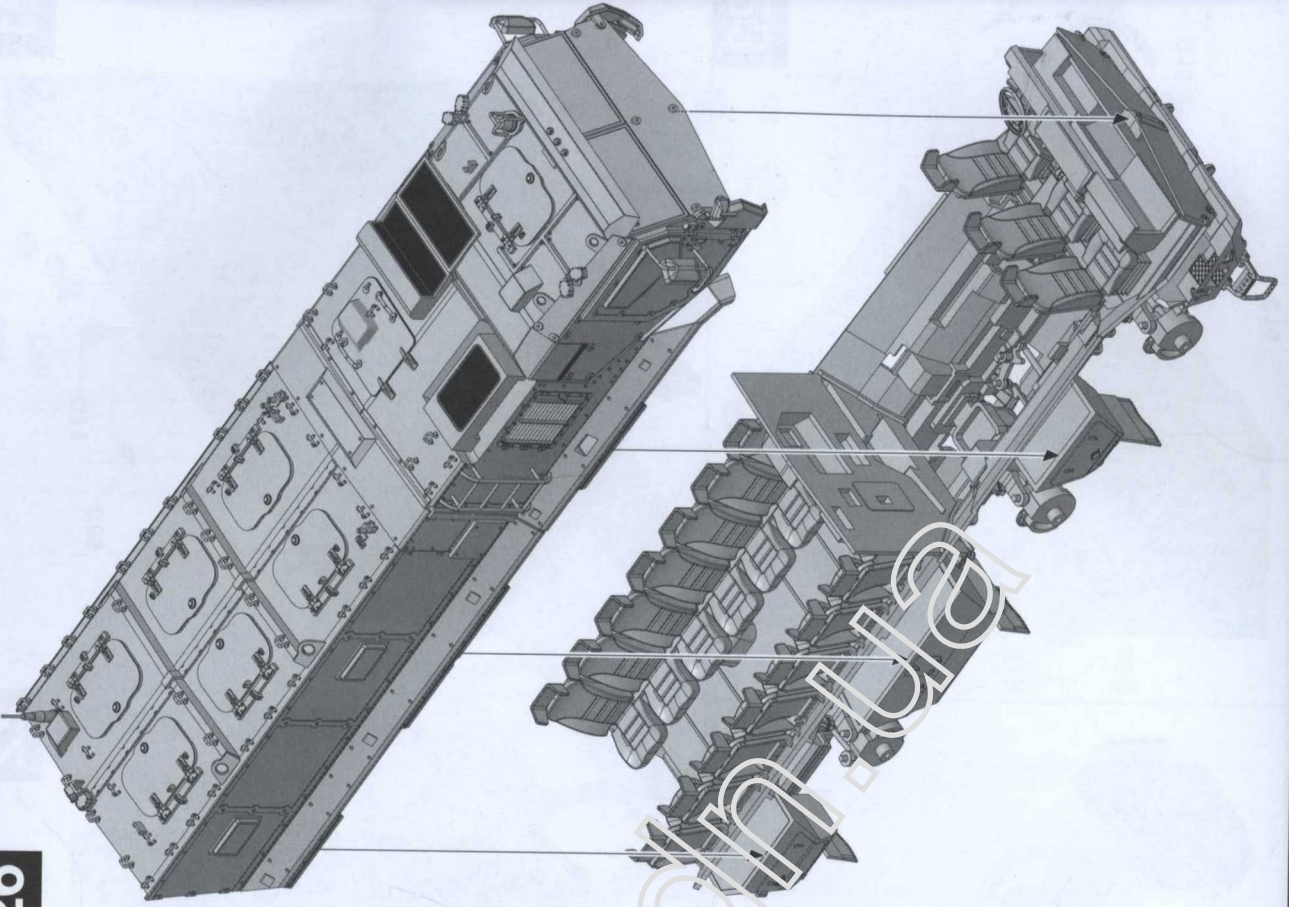
23



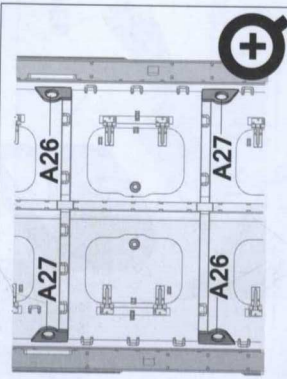
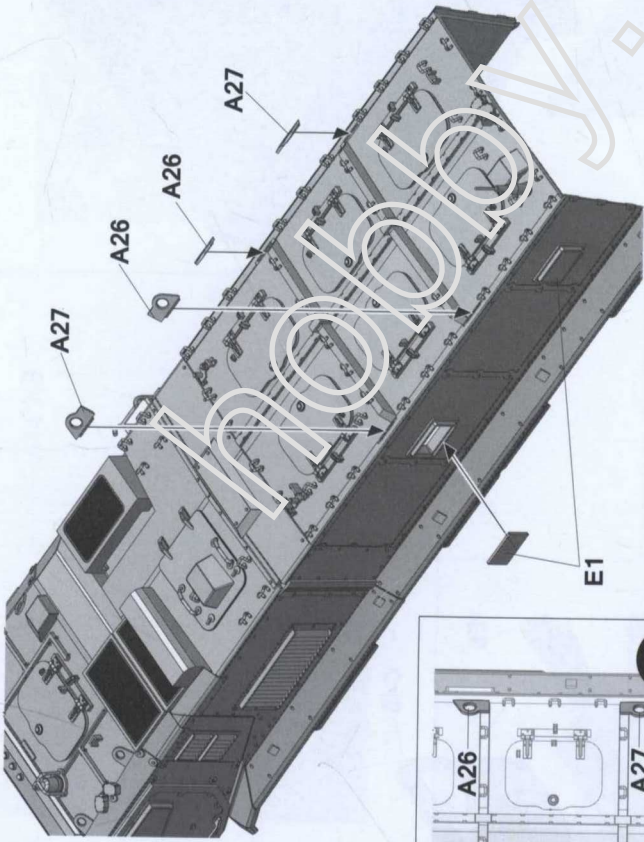
24



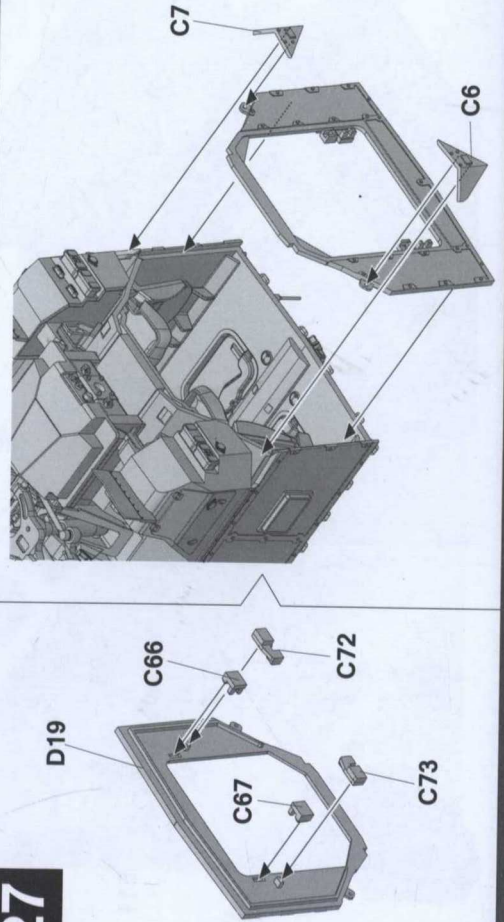
26



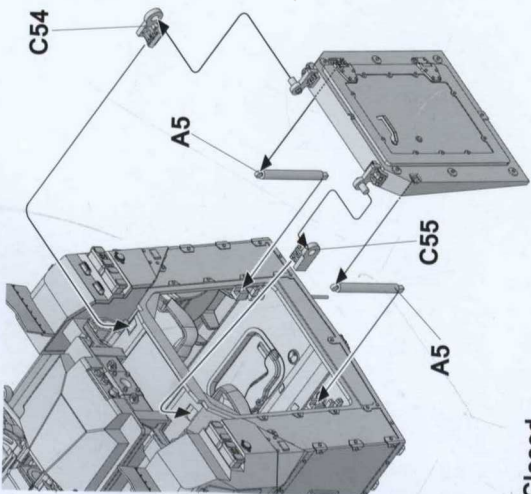
25



27

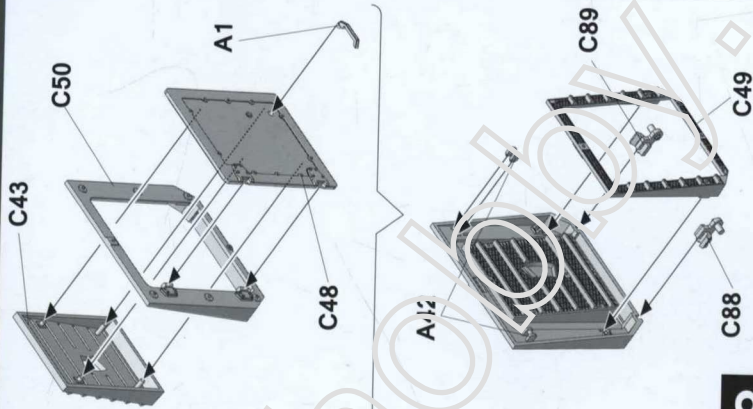
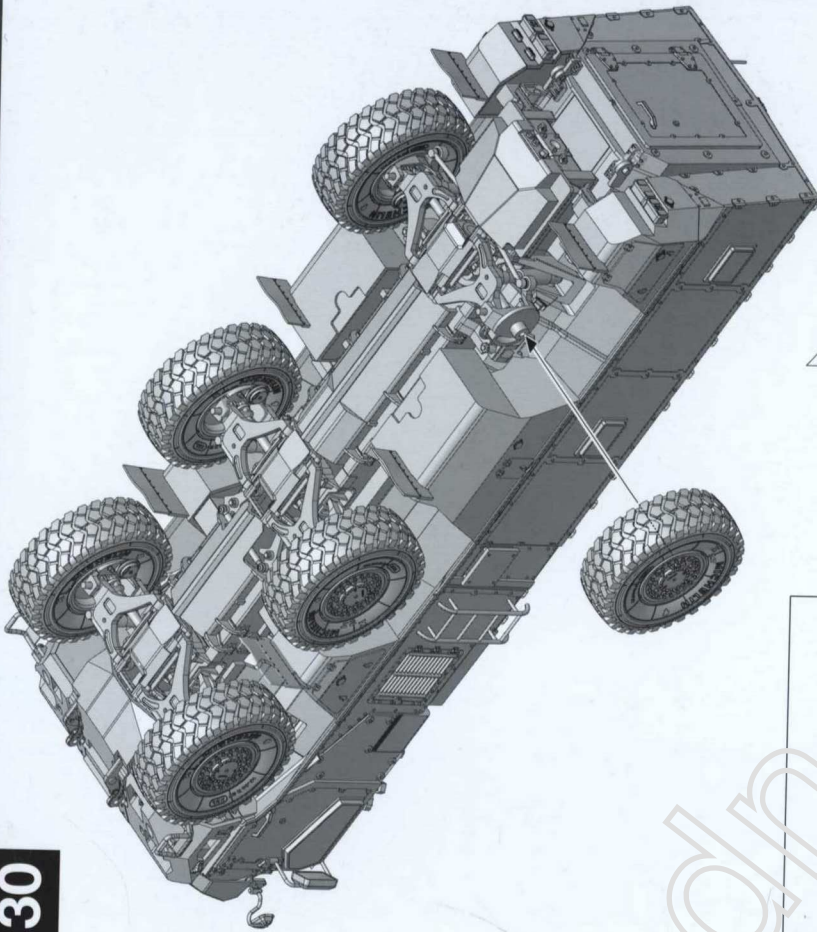


29

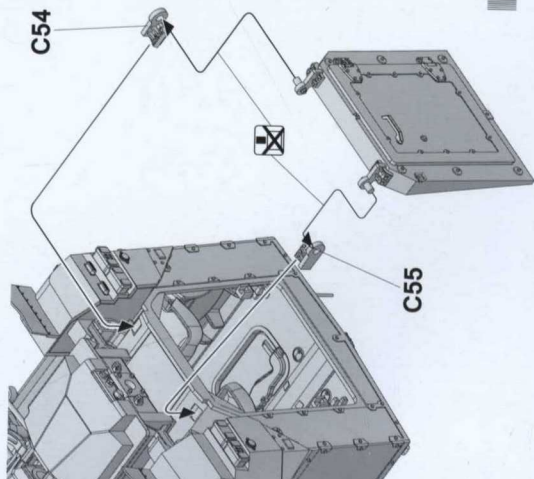


Closed

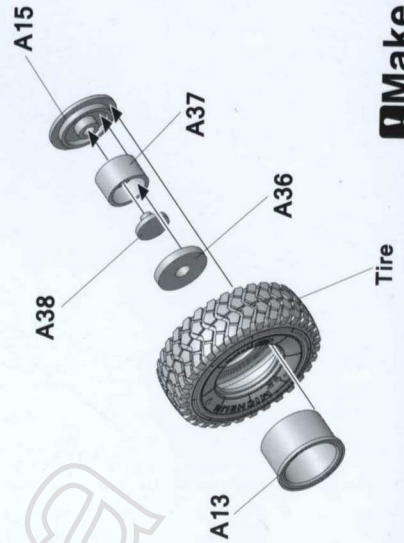
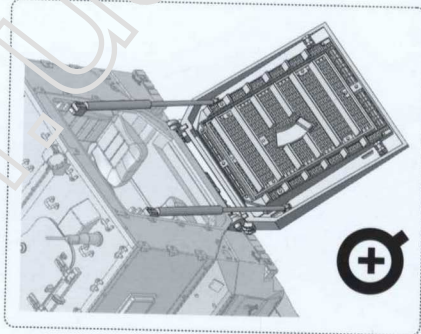
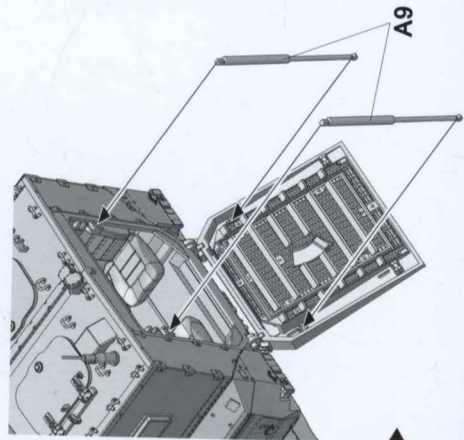
30



28



Open



Make 6

03.03.2082



TYPHOON K

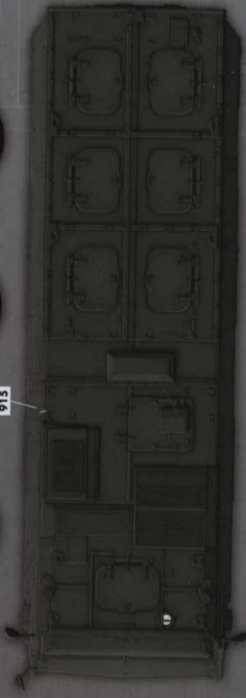
Color info and profiles by



Painting and Marking Guide

- A.MIG 033 Rubber & Tires
- A.MIG 046 Matt Black
- A.MIG 093 Crystal Red
- A.MIG 094 Crystal Glass
- A.MIG 096 Crystal Pentacope Green
- A.MIG 097 Crystal Orange
- A.MIG 195 Silver
- A.MIG 915 Dark Green

Russian Army, unidentified unit 2017.



Russian MRAP Typhoon-K Ref. 2082

TAKOM

03.03.2082



TYPHOON K

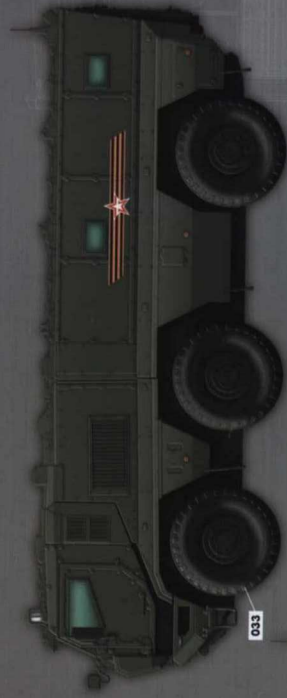
Color info and profiles by



Painting and Marking Guide

- A.MIG 033 Rubber & Tires
- A.MIG 046 Matt Black
- A.MIG 093 Crystal Red
- A.MIG 094 Crystal Glass
- A.MIG 096 Crystal Pentacope Green
- A.MIG 097 Crystal Orange
- A.MIG 195 Silver
- A.MIG 915 Dark Green

Russian Army, Victory Day Parade 2015.



Russian MRAP Typhoon-K Ref. 2082

TAKOM

hobby.on.ua