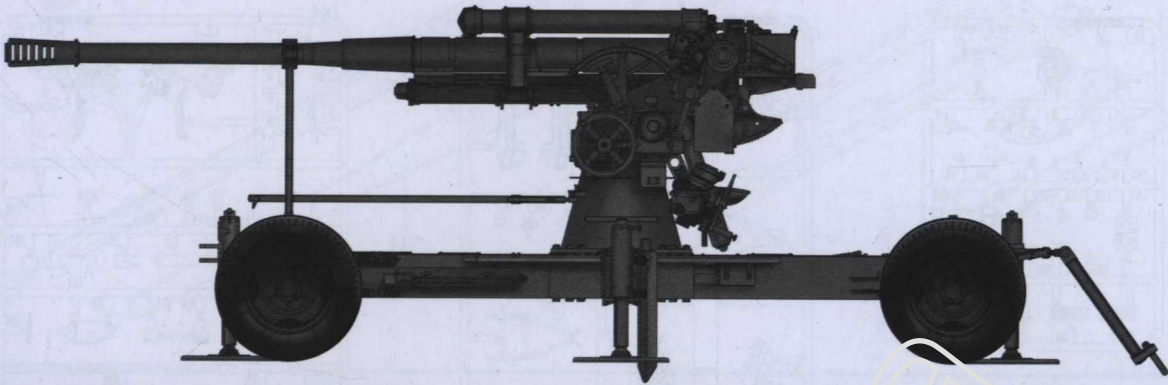


1/35 SCALE

ITEM NO.:02342



Soviet 52-K 85mm Air Defense Gun M1943 Late Version

苏联52-K 85毫米防空炮M1943后期型

READ BEFORE ASSEMBLY:

- Study and understand these instructions thoroughly before beginning assembly
- When needed, remove photo-etch parts carefully using a modeling knife or photo etch sprue cutter, being careful not to damage or lose small parts.
- Take extra care in handling photo etch parts in order to avoid injury
- Apply instant cement sparingly to photo etch parts where instructed
- Tools recommended(not included in kit):Plastic and instant cements, sprue cutters,long nose pliers,modeling knife, small files, tweezers, pin vise & scissors. Soft cloth and sandpaper will also assist in construction
- Glue and paint are not included in the kit. Use plastic cement and hobby paints only. Color guide for purchasing paint is included in the kit.

装配之前仔细阅读

- 小心用模型剃刀锉平所有零件表面的注射浇口。
- 小心用刀片切下蚀刻片零件，不要遗失小零件。
- 用强力快干胶水粘合蚀刻片零件和金属轴。过量快干胶水使用可能导致可动零件会粘住，小心涂胶。
- 取蚀刻片时应特别注意安全，防止利边划伤手指。
- 某些零件表面需贴上水贴纸，请选择在装配的同时进行。
- 推荐模型工具(自备)：胶水，水口剪刀，长咀钳，刀片，锉刀，镊子，钳，钻，剪刀，瞬间快干胶。
- 软布同砂纸同时也应该是必备工具。
- 请使用塑料胶水和油漆，模型内不含。



配重
Weight



使用强力胶
Cyanacrylate glue



钻孔
Make hole



切除
Cut / Remove



贴纸
Decal



锉平
File / Sand



选择
Option



不涂胶水
No cement



弯曲
Bend

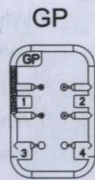
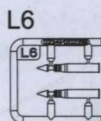
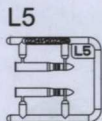
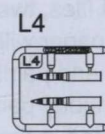
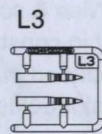
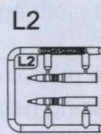
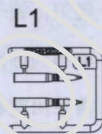
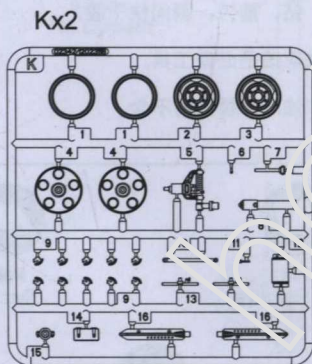
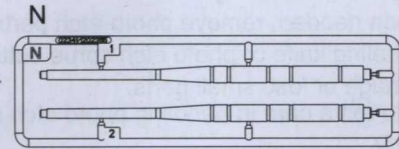
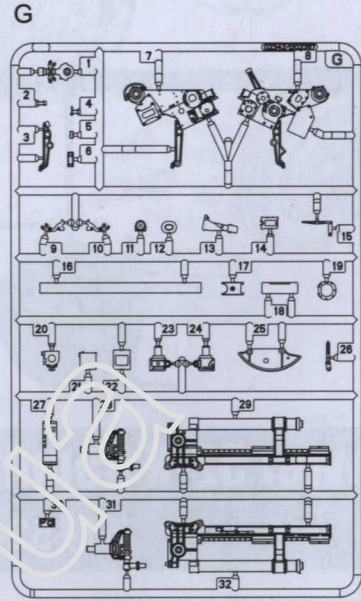
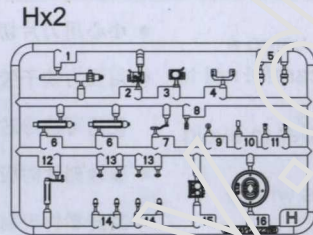
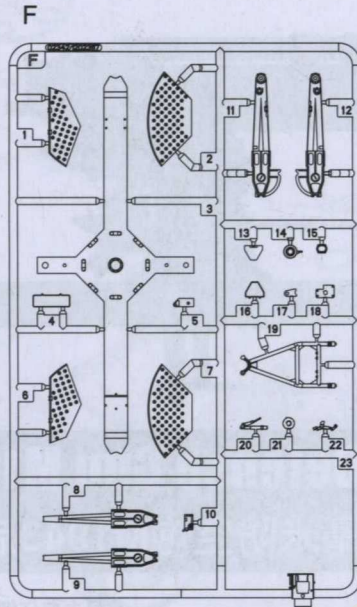
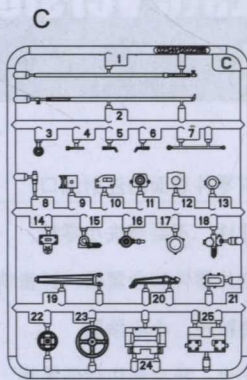
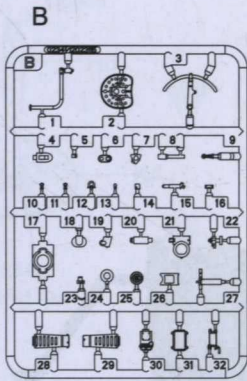
水贴纸的使用:

- 1.从水贴纸上剪下印花;
- 2.将印花放入温水中浸10秒, 然后放在干净布上。
- 3.拿着印花纸板将印花移到模型上;
- 4.手指蘸水将印花移到适当的位置;
- 5.用软布轻压印花直至水干, 气泡消失

DECAL APPLICATION

- 1.Cut decals from sheet as needed
- 2.Dip the decal in warm water for about 10 seconds and then place on soft clean cloth.
- 3.Hold the decal backing sheet edge and gently slide the decal onto the model in its proper position.
- 4.While still wet,decal can be adjusted for better fit on model by dampening it gently with your finger.
- 5.When placed in the proper position,gently press decal down with a soft cloth until excess water and air bubbles are gone.
- 6.Allow decal to dry completely before handling model

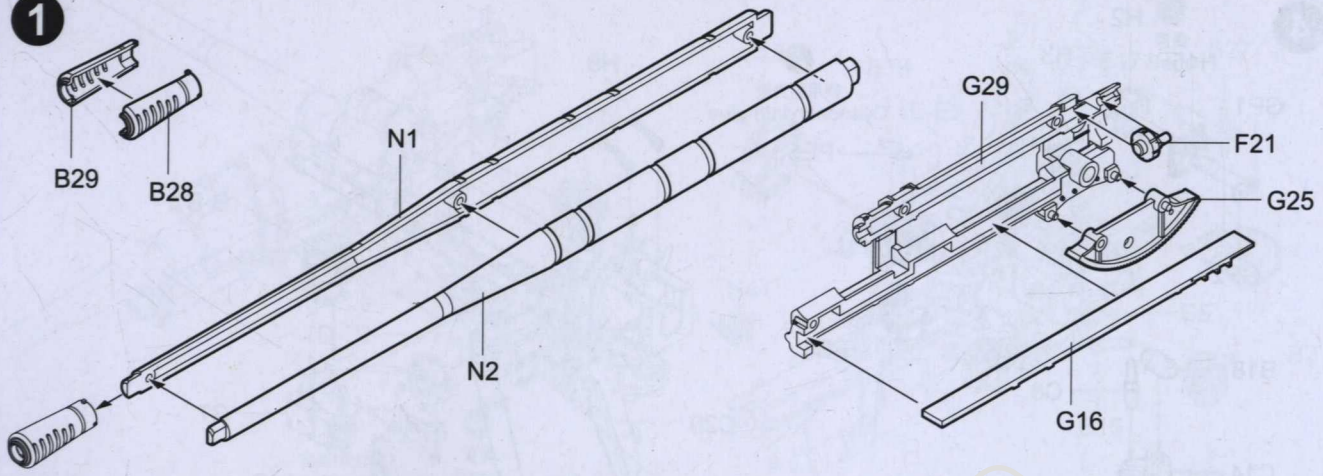
部品图
Parts



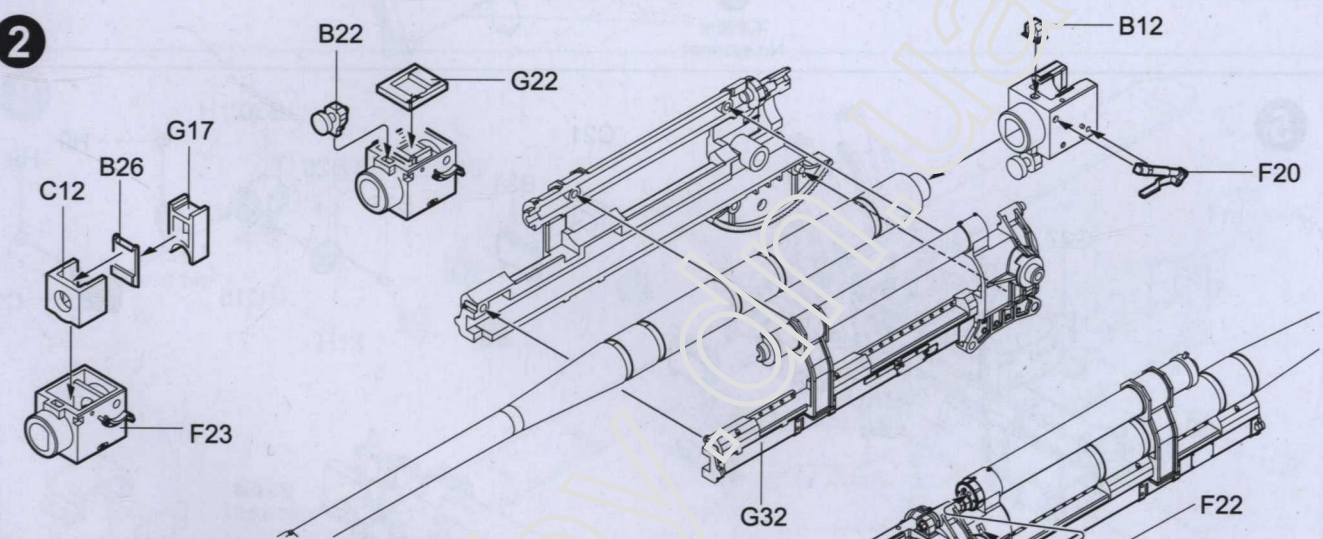
大架
Frame-A2



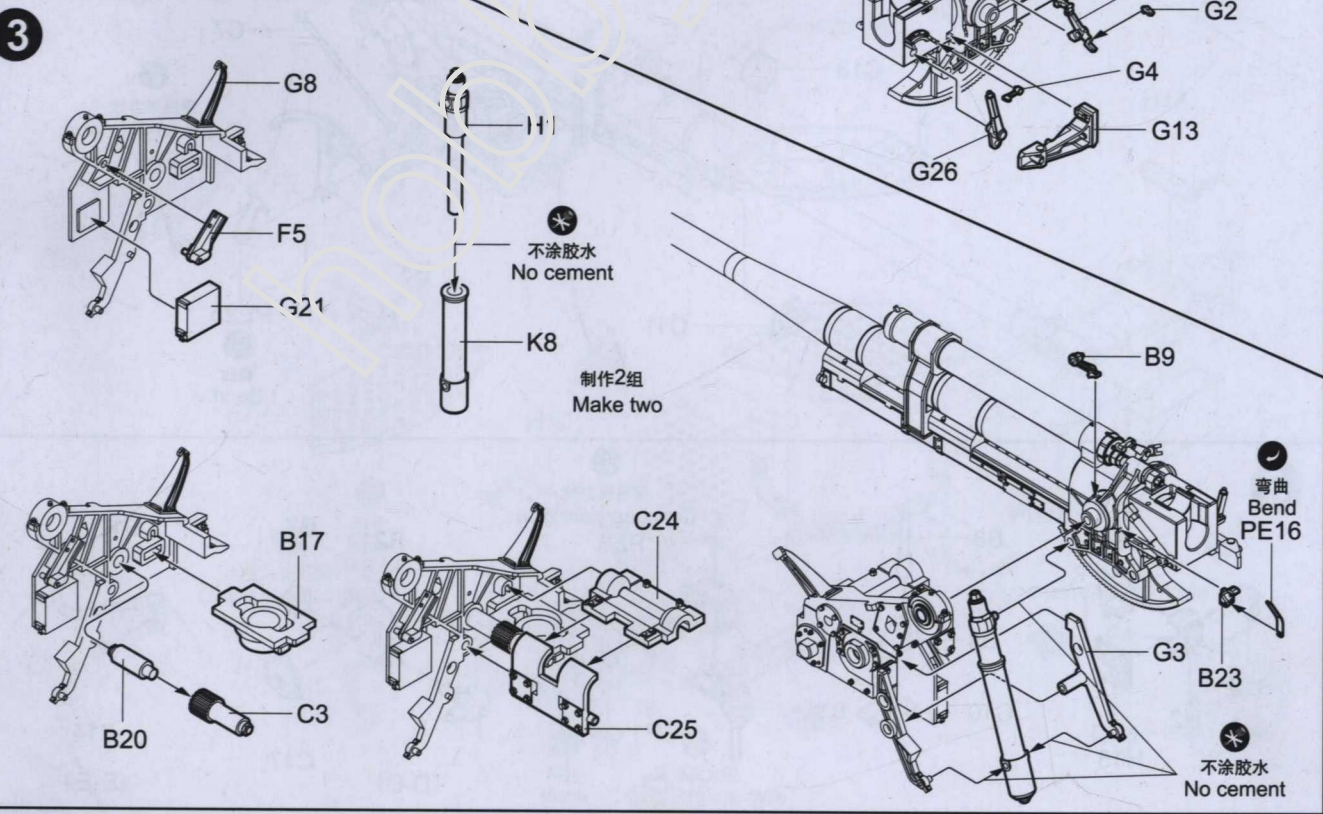
1



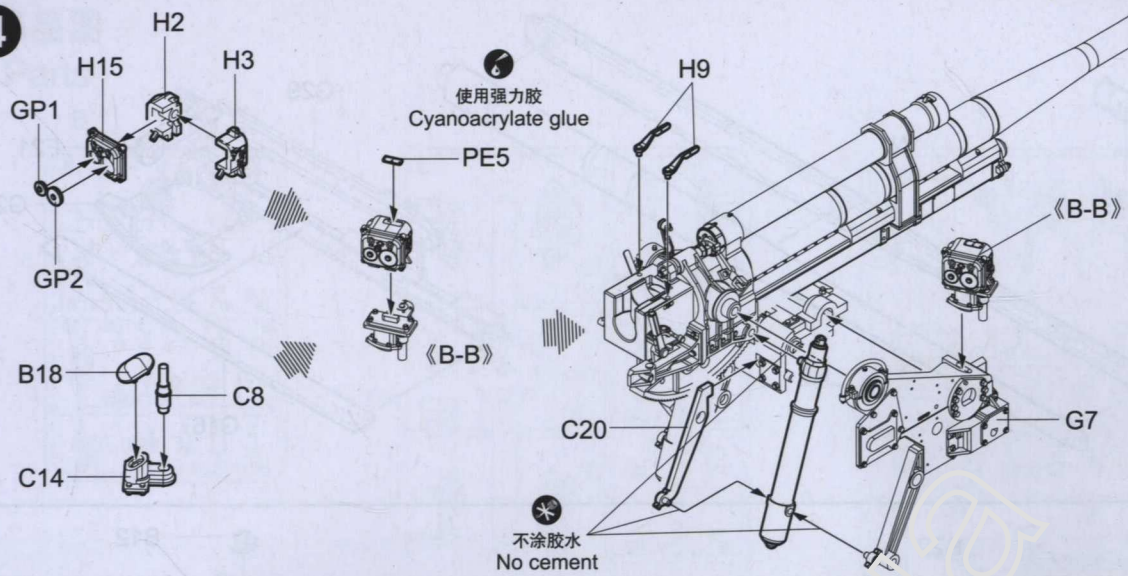
2



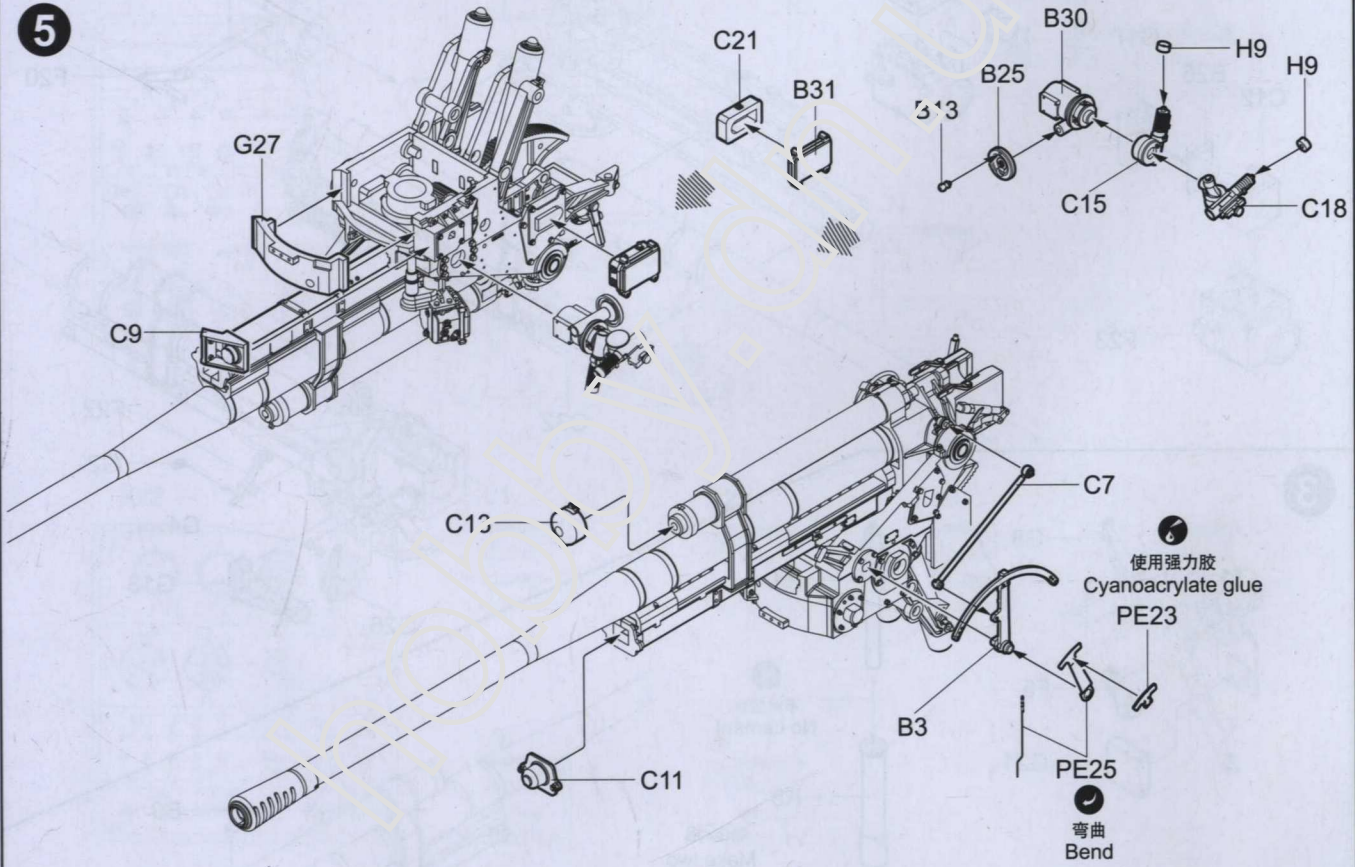
3



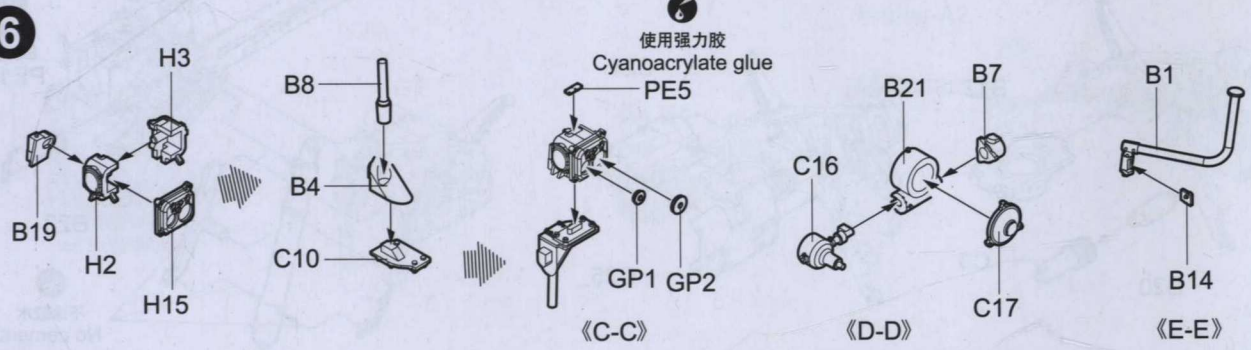
4



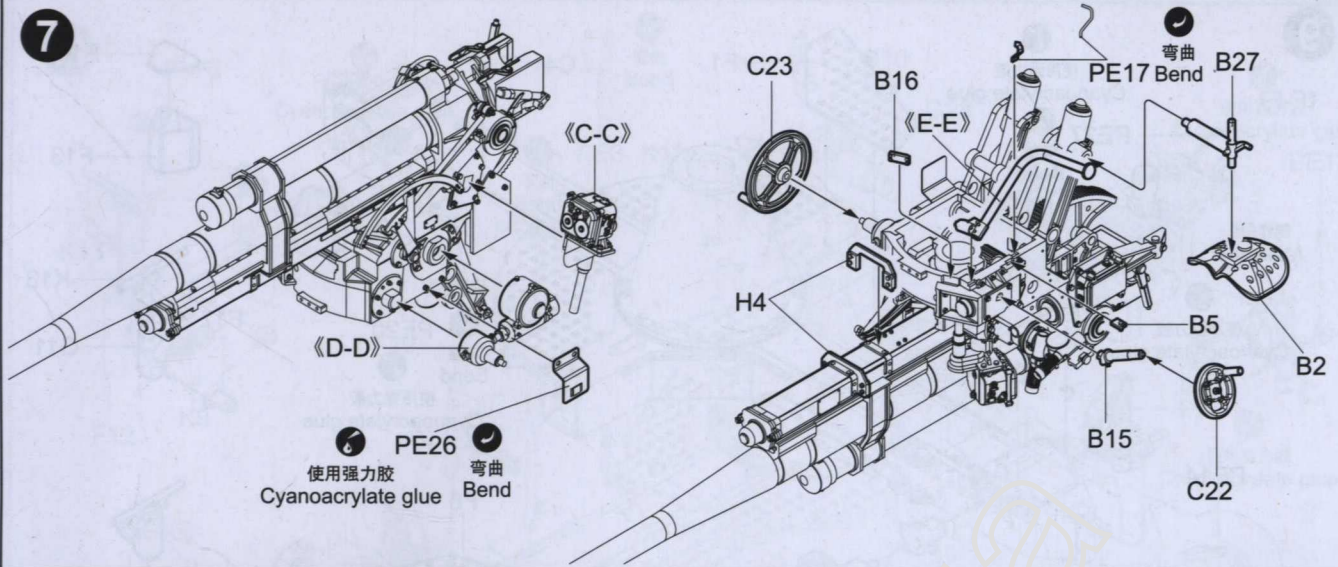
5



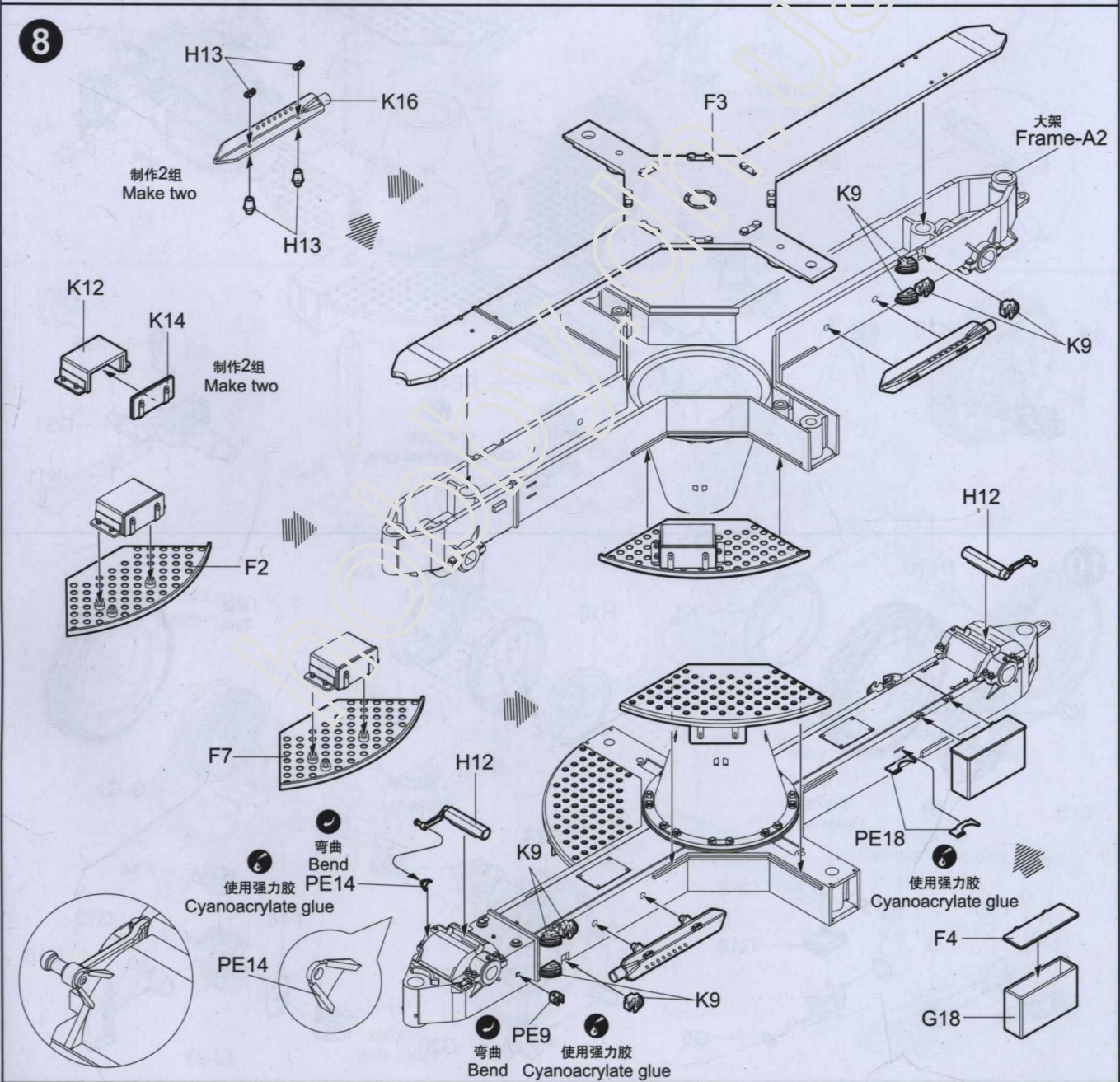
6



7



8



9

《F-F》

制作4组
Make four

使用强力胶
Cyanoacrylate glue

使用强力胶
Cyanoacrylate glue

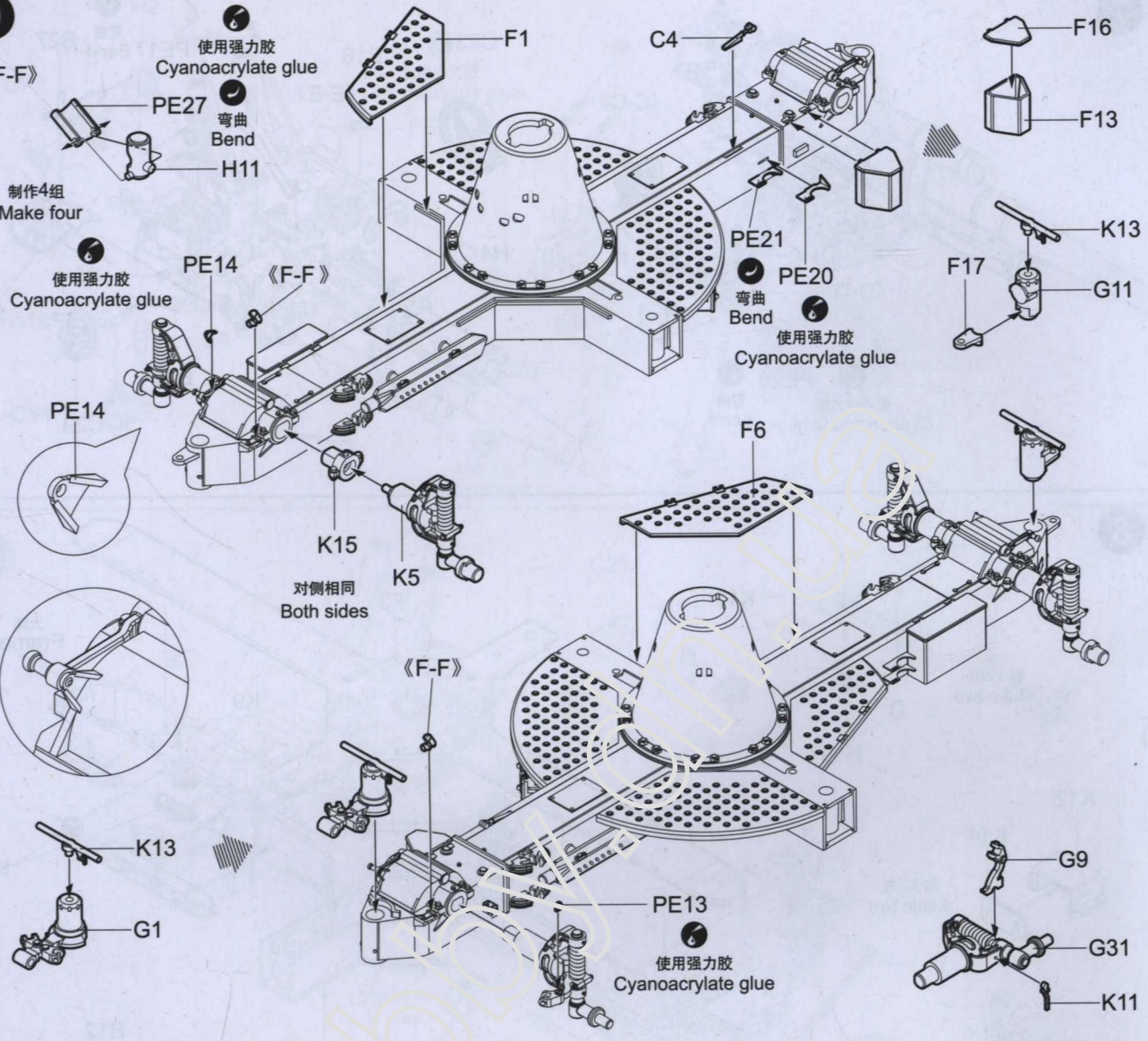
弯曲
Bend

使用强力胶
Cyanoacrylate glue

弯曲
Bend

对侧相同
Both sides

使用强力胶
Cyanoacrylate glue



10

《H-H》

轮胎
Tyre

K2

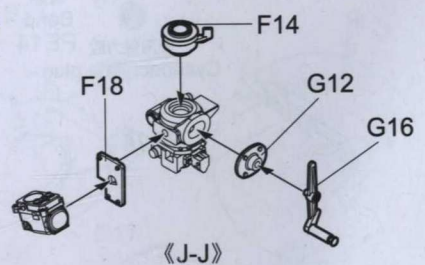
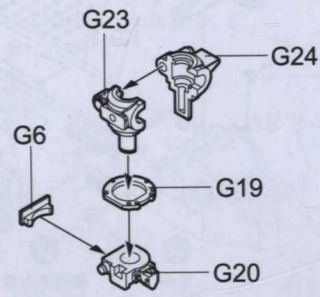
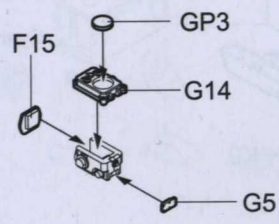
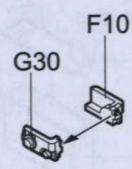
制作2组
Make two

H16

制作2组
Make two

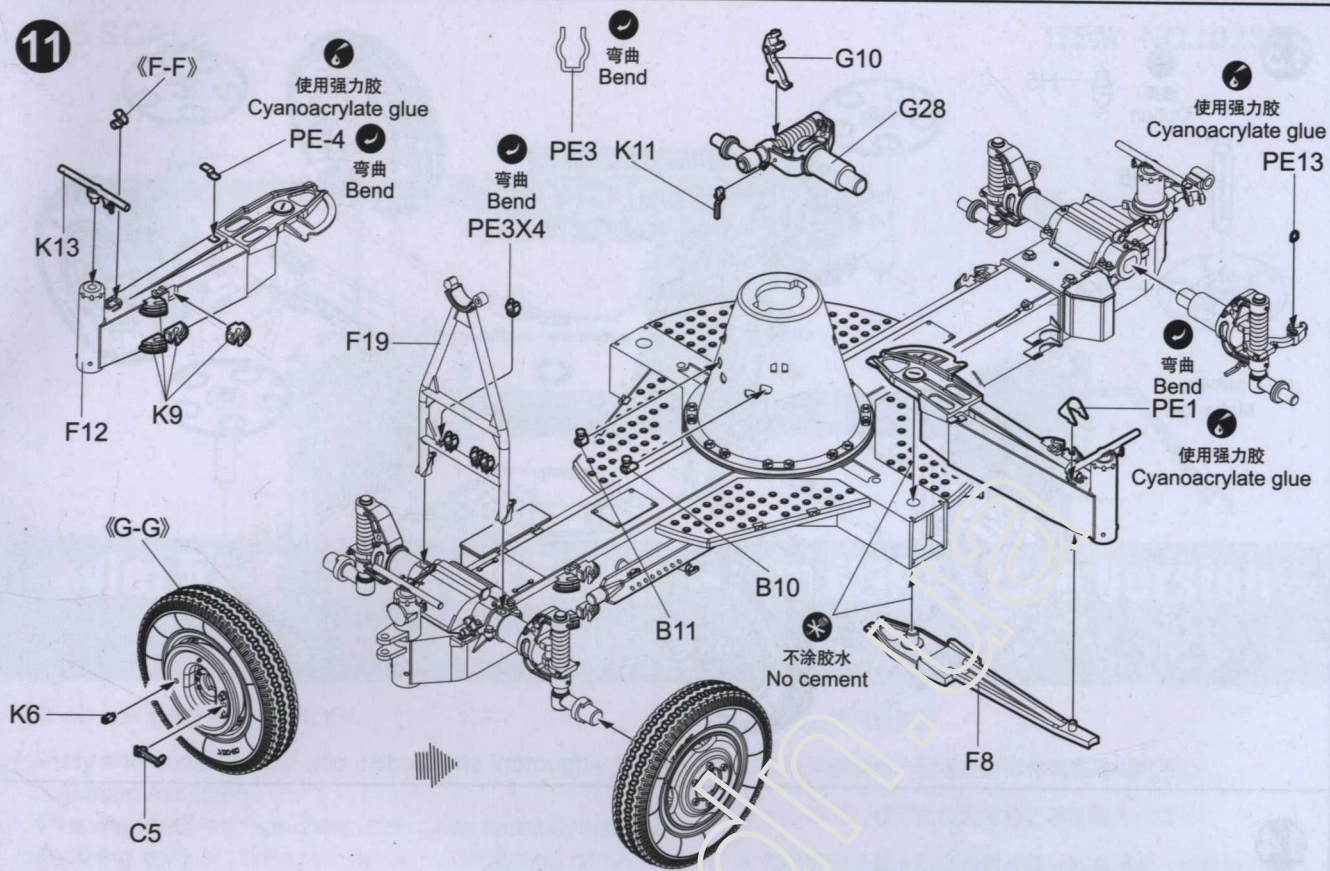
轮胎
Tyre

《G-G》

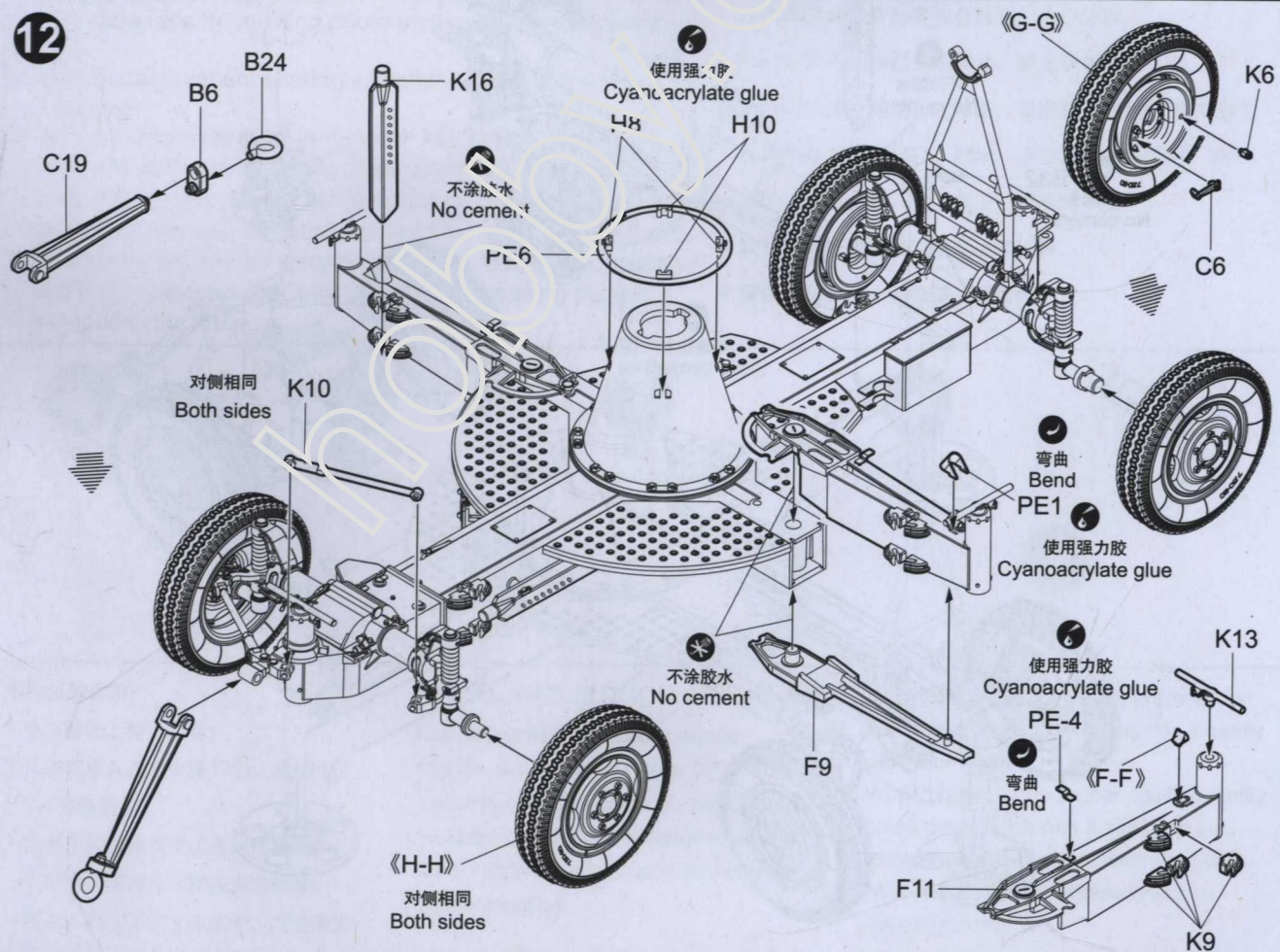


《J-J》

11

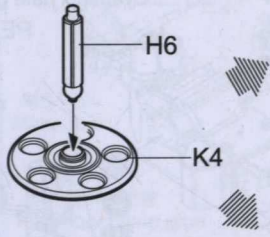


12

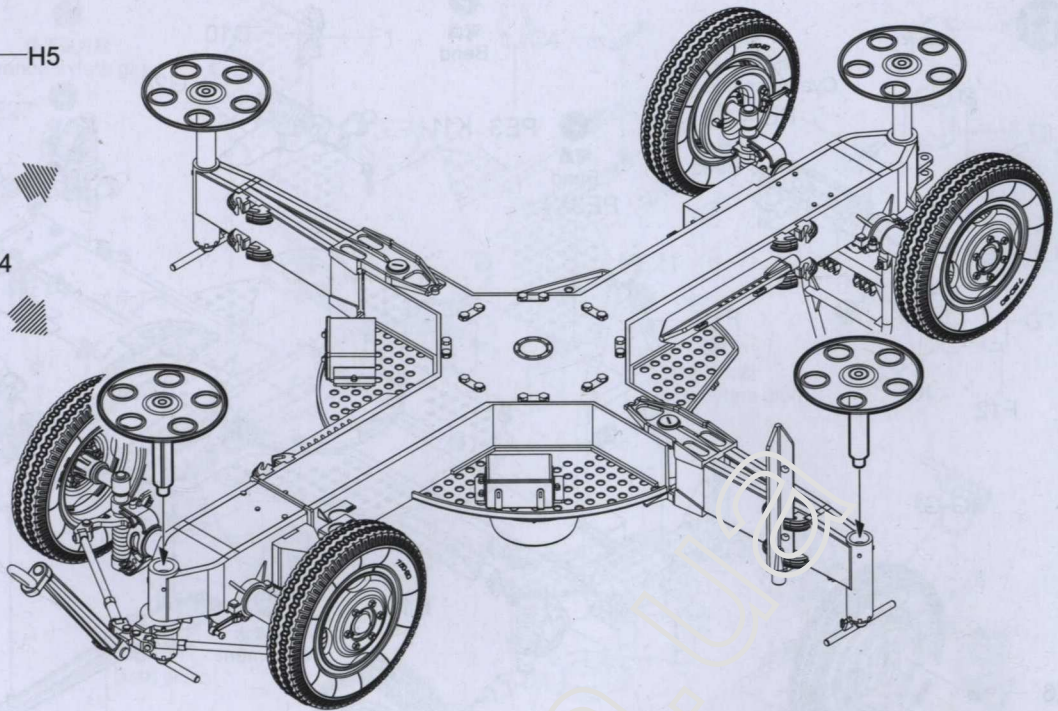


13

②
选择
Option
H5



制作4组
Make four



14

* B32
不涂胶水
No cement

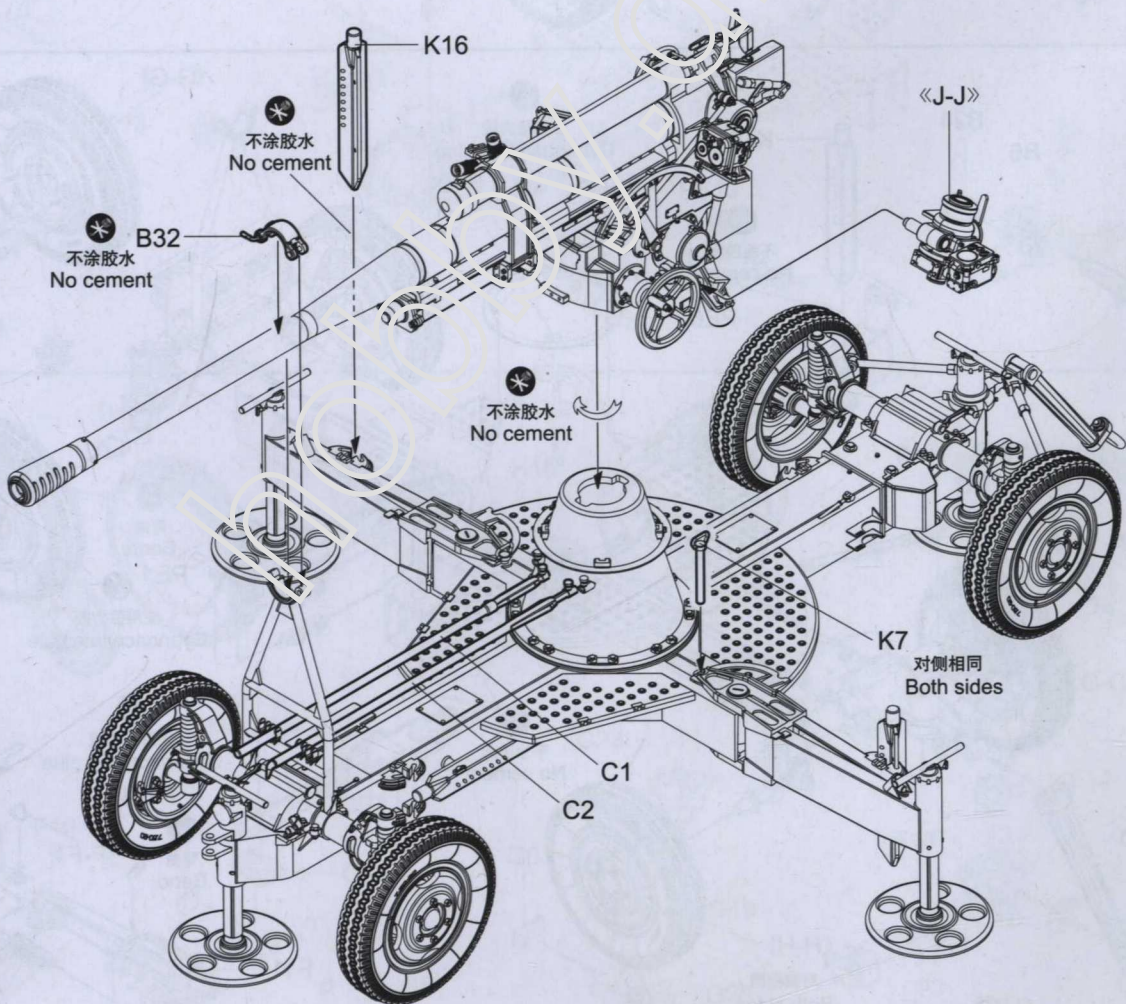
*
不涂胶水
No cement
K16

*
不涂胶水
No cement

《J-J》

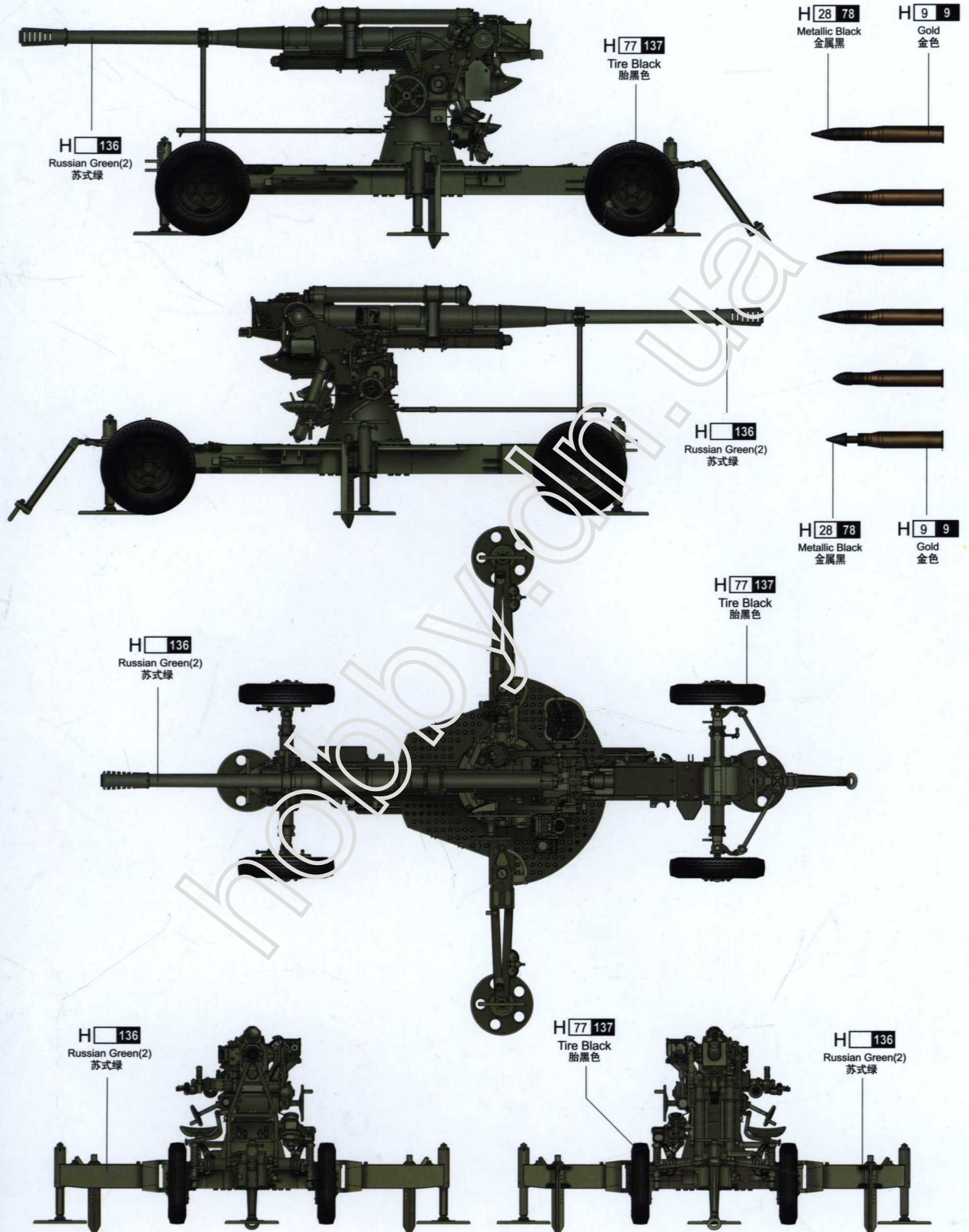
K7
对侧相同
Both sides

C1
C2



涂装同标贴指示 Painting & Marking guide

Color	Mr.Hobby	Vallejo	Model Master	Tamiya	Humbrol
Tire Black 胎黑色	H 77 137	-	-	-	-
Russian Green(2) 苏式绿	H 136	823	-	-	-
Gold 金色	H 9 9	878	1744	X12	16
Metallic Black 金属黑	H 28 78	950	-	-	-



H AQUEOUS HOBBY COLOR ■ Mr. COLOR