

1/35 SCALE

ITEM NO.:02346



# Soviet GAZ-67B Military Vehicles

## 俄罗斯GAZ-67B军用吉普车



### READ BEFORE ASSEMBLY:

### 装配之前仔细阅读

- Study and understand these instructions thoroughly before beginning assembly
  - When needed, remove photo-etch parts carefully using a modeling knife or photo etch sprue cutter, being careful not to damage or lose small parts.
  - Take extra care in handling photo etch parts in order to avoid injury
  - Apply instant cement sparingly to photo etch parts where instructed
  - Tools recommended(not included in kit):Plastic and instant cements, sprue cutters,long nose pliers,modeling knife, small files, tweezers, pin vise & scissors. Soft cloth and sandpaper will also assist in construction.
  - Glue and paint are not included in the kit. Use plastic cement and hobby paints only. Color guide for purchasing paint is included in the kit.
- 小心用模型锉刀锉平所有零件表面的注射浇口。
  - 小心用刀片切下蚀刻片零件，不要遗失小零件。
  - 用镊子快干胶水粘合蚀刻片零件和金属轴。过量快干胶水使用可能导致可动零件会粘住，小心涂胶。
  - 取蚀刻片时应特别注意安全，防止利边划伤手指。
  - 某些零件表面需贴上水贴纸，请选择在装配的同时进行。
  - 推荐模型工具(自备)：胶水，水口剪刀，长咀钳，刀片，锉刀，镊子，钳，钻，剪刀，瞬间快干胶。
  - 软布同砂纸同时也应该是必备工具。
  - 请使用塑料胶水和油漆，模型内不含。



配重  
Weight



使用强力胶  
Cyanoacrylate glue



钻孔  
Make hole



切除  
Cut / Remove



贴纸  
Decal



锉平  
File / Sand



选择  
Option



不涂胶水  
No cement



弯曲  
Bend

### 水贴纸的使用:

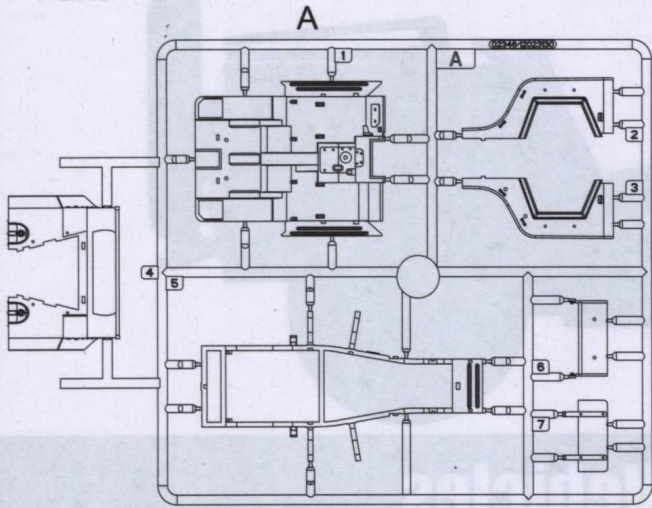
- 1.从水贴纸上剪下印花;
- 2.将印花放入温水中浸10秒, 然后放在干净布上。
- 3.拿着印花纸板将印花移到模型上;
- 4.手指蘸水将印花移到适当的位置;
- 5.用软布轻压印花直至水干, 气泡消失

### DECAL APPLICATION

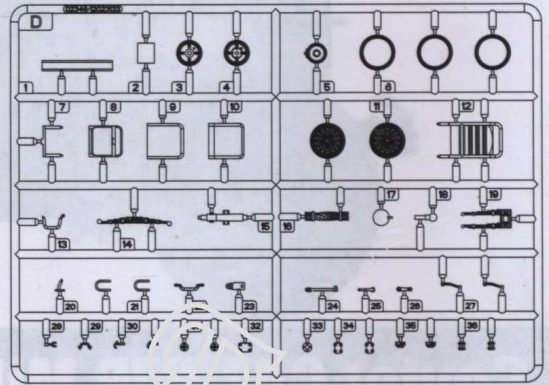
- 1.Cut decals from sheet as needed
- 2.Dip the decal in warm water for about 10 seconds and then place on soft clean cloth.
- 3.Hold the decal backing sheet edge and gently slide the decal onto the model in its proper position.

- 4.While still wet,decal can be adjusted for better fit on model by dampening it gently with your finger.
- 5.When placed in the proper position,gently press decal down with a soft cloth until excess water and air bubbles are gone.
- 6.Allow decal to dry completely before handling model.

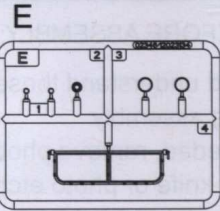
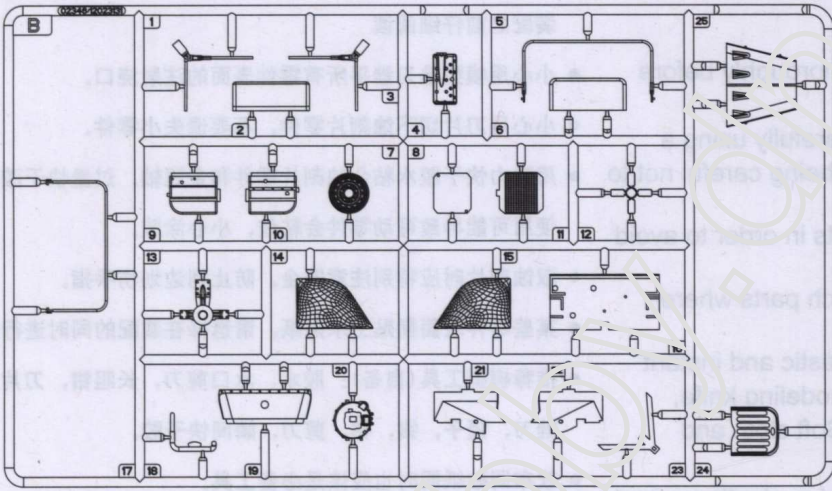
部品图  
Parts



Dx2

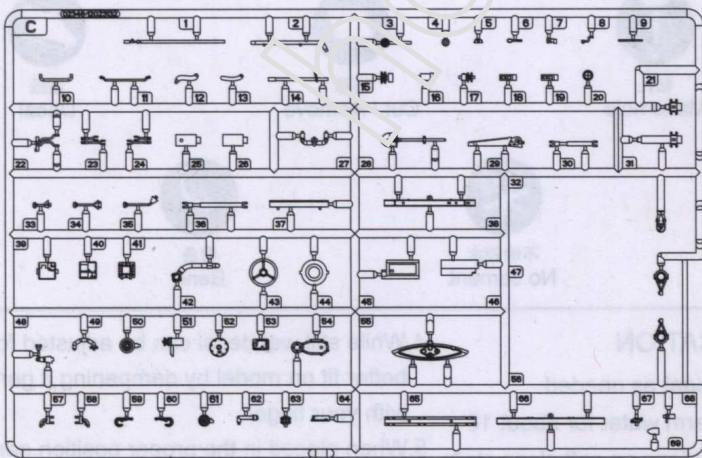


B

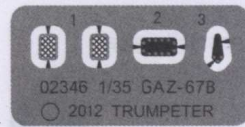


《轮胎》x5  
Tyre

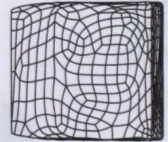
C



《蚀刻片》  
PE



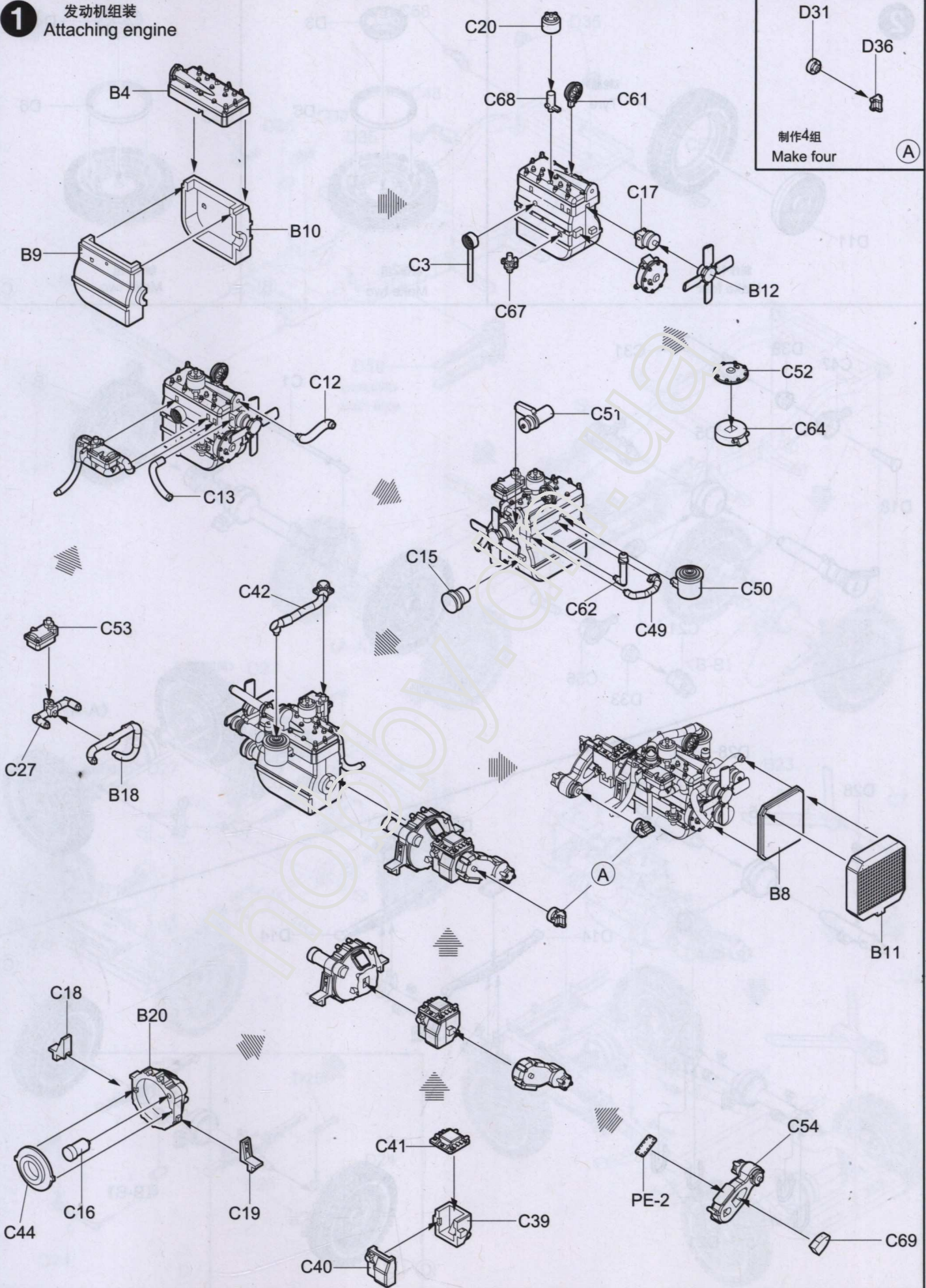
《车篷》  
Calash



《贴纸》  
Decal



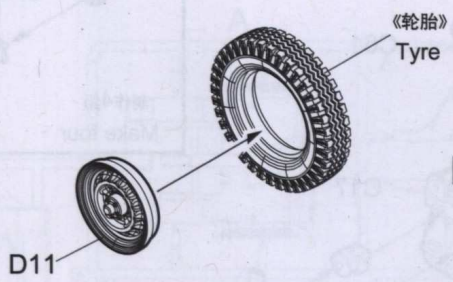
**1** 发动机组  
Attaching engine



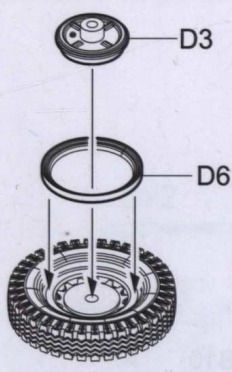
制作4组  
Make four

(A)

2

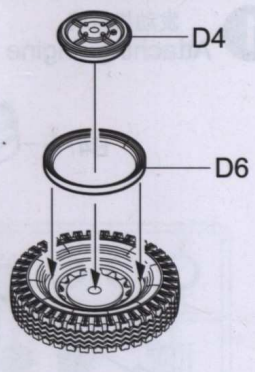


制作4组  
Make four



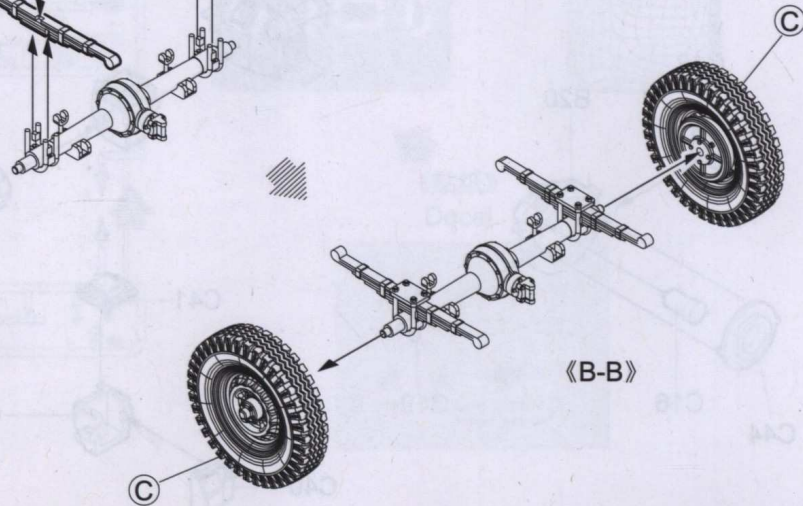
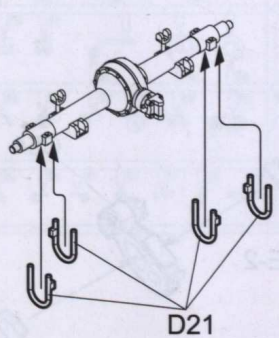
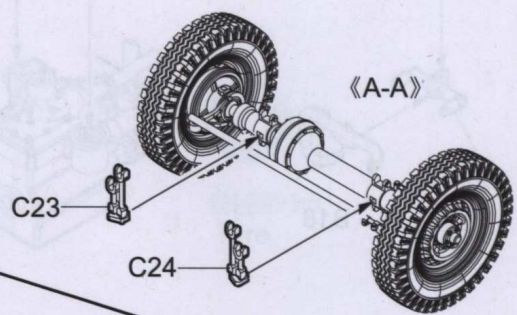
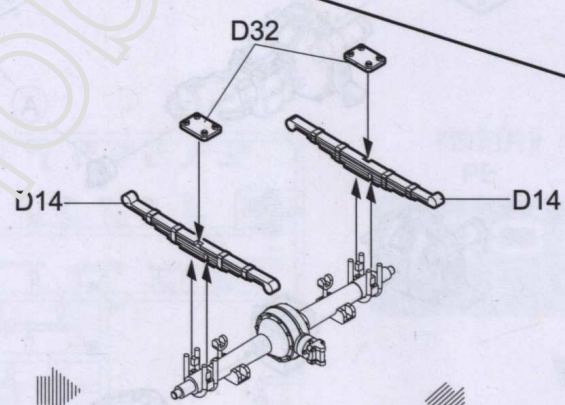
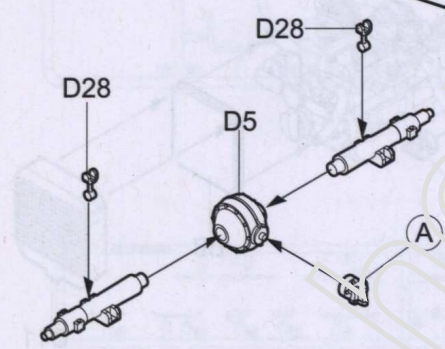
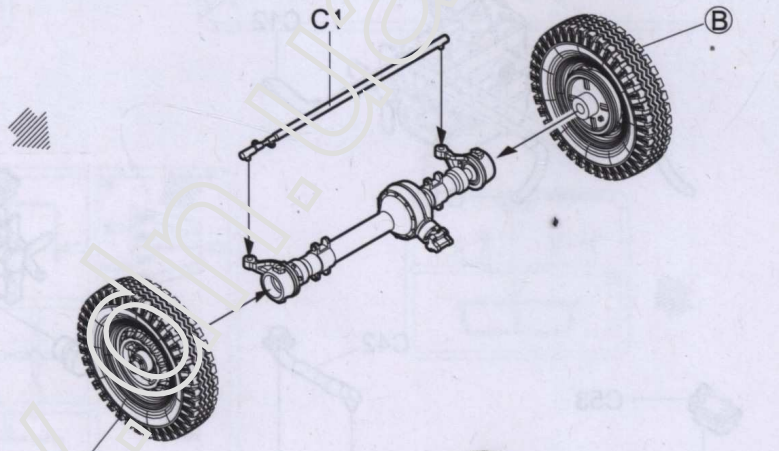
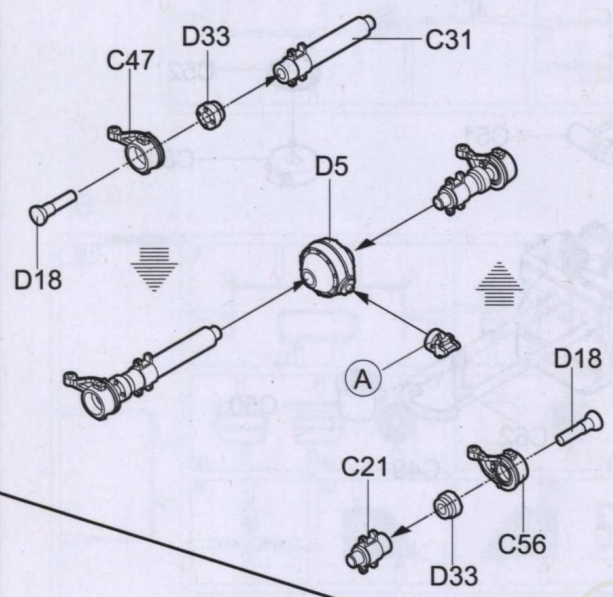
制作2组  
Make two

(B)

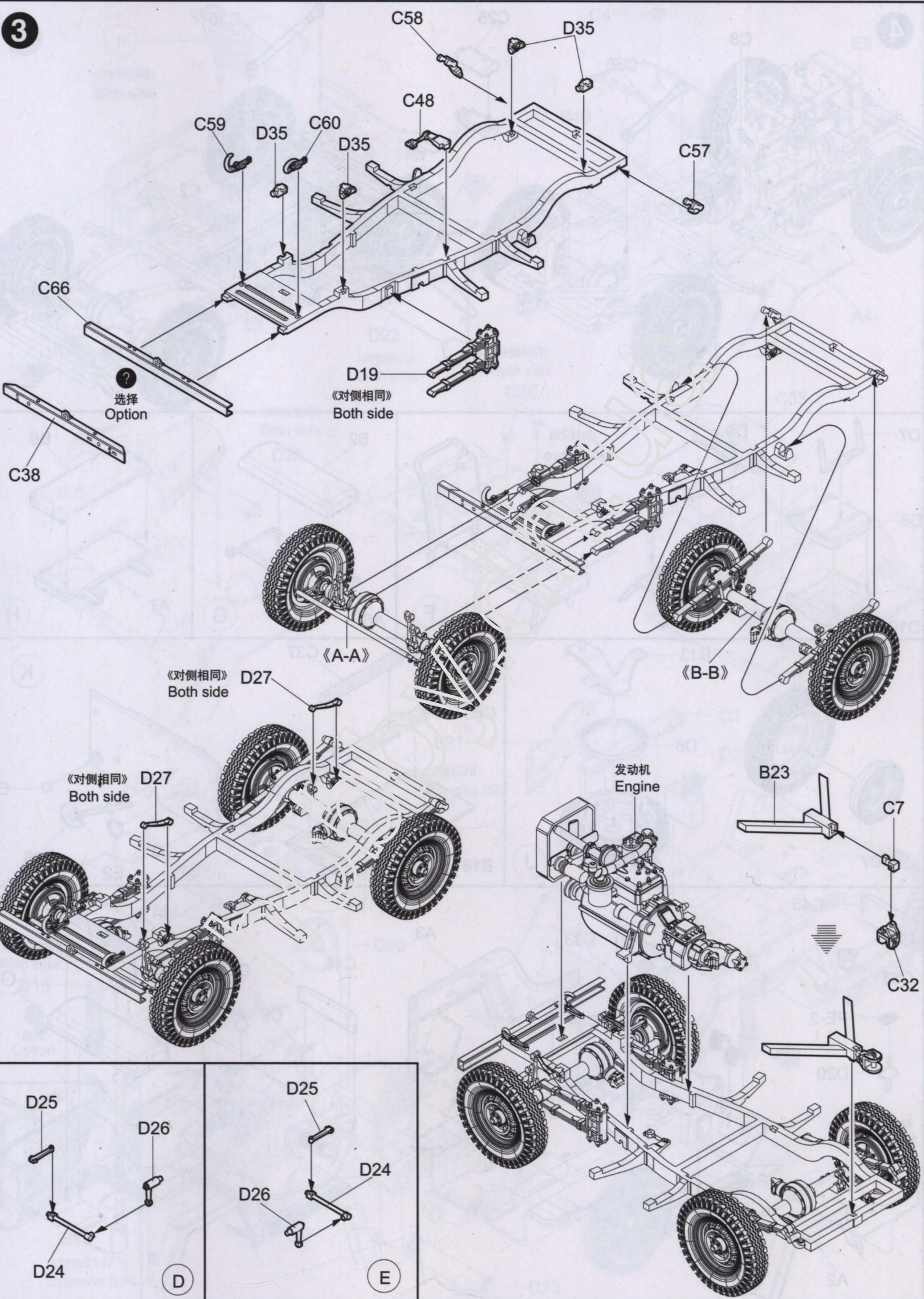


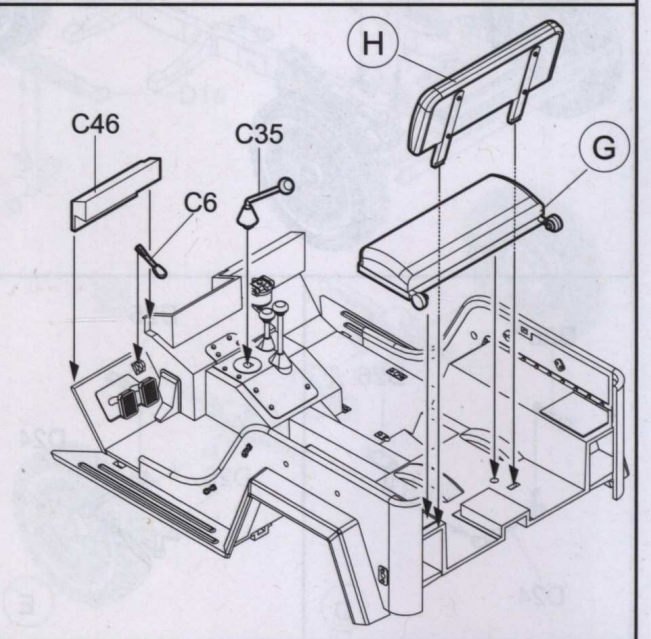
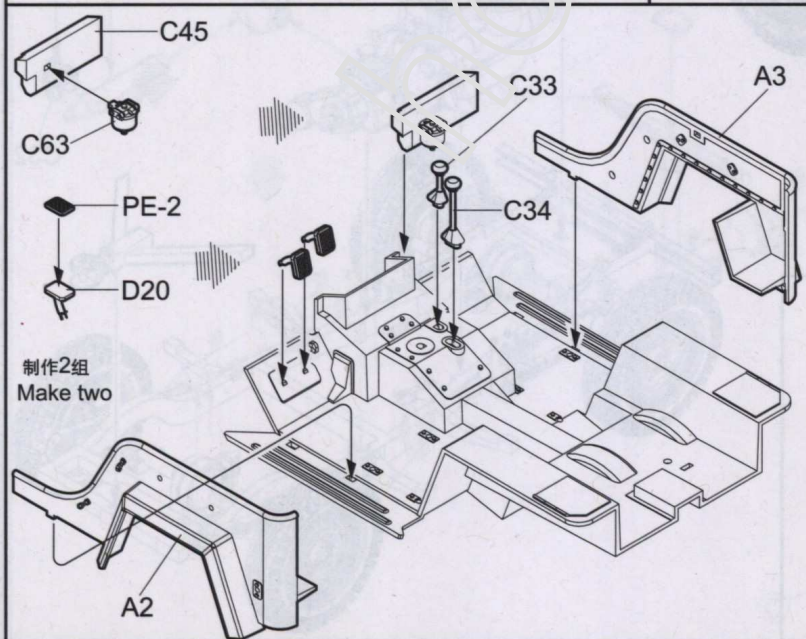
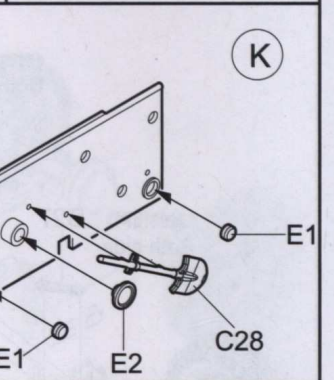
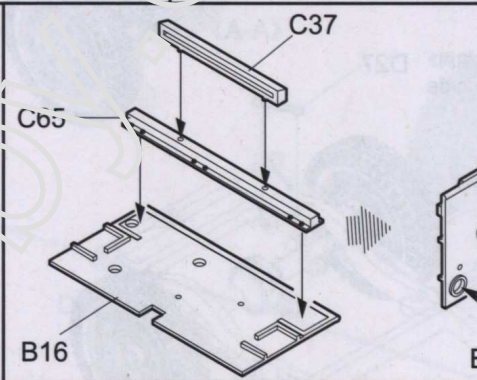
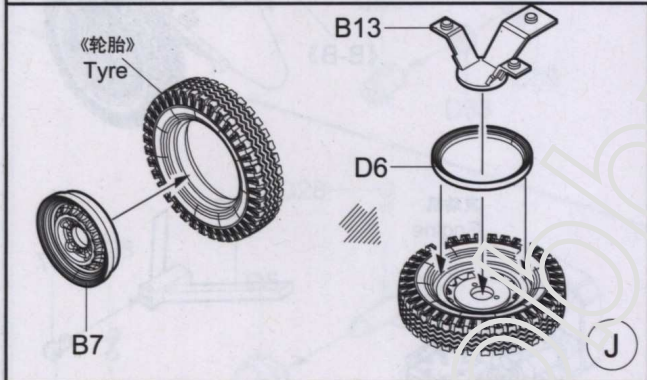
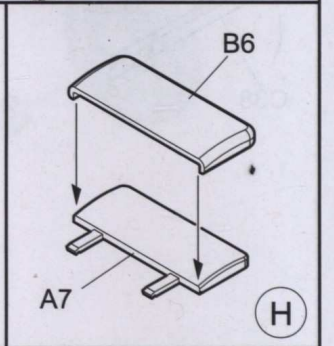
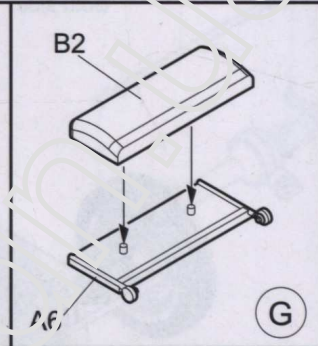
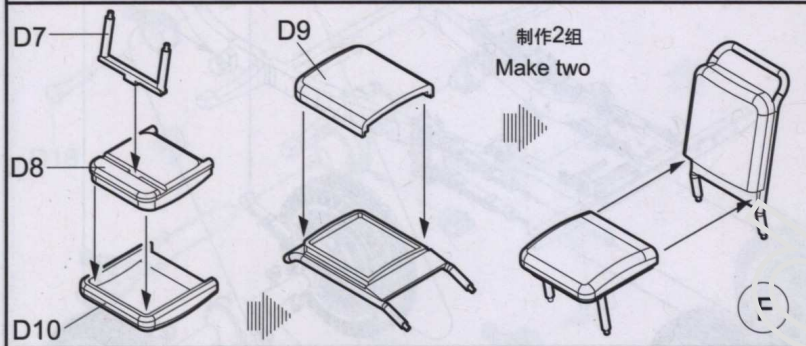
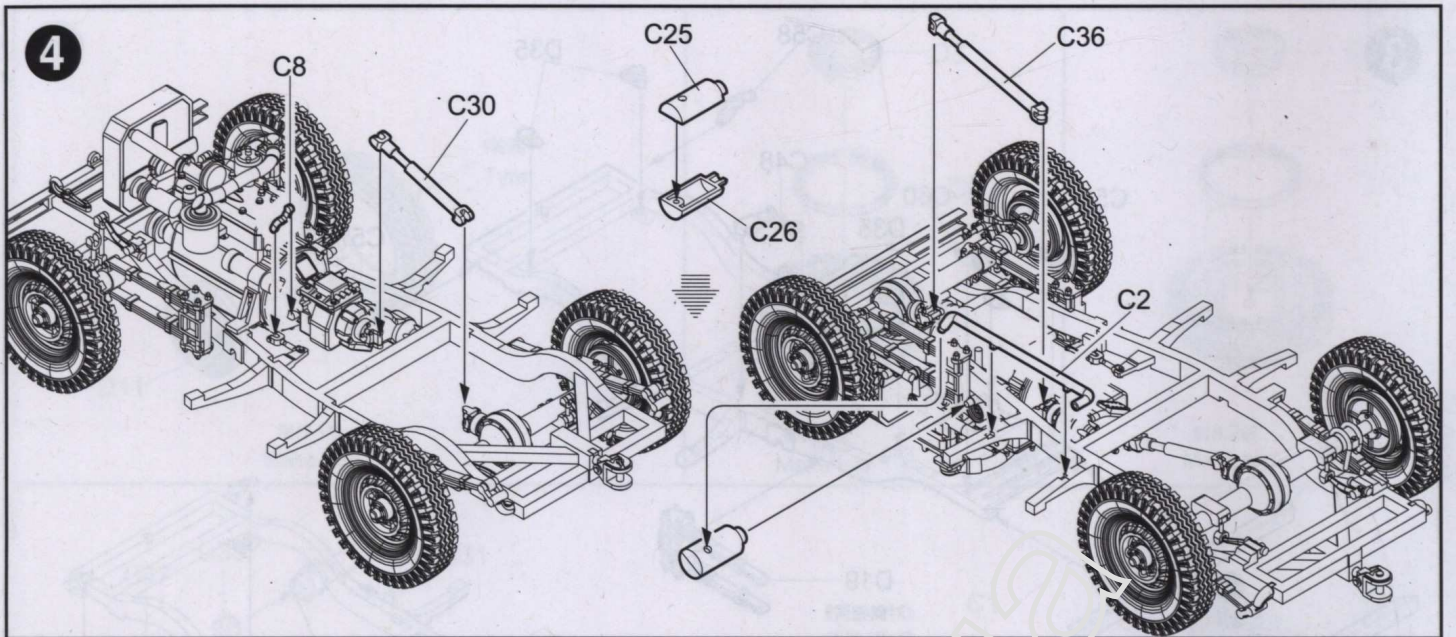
制作2组  
Make two

(C)



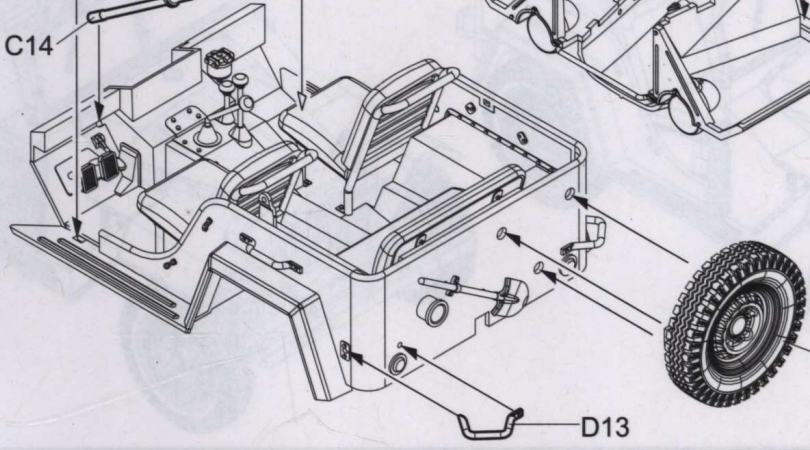
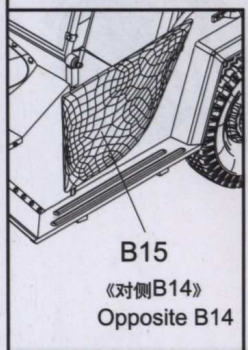
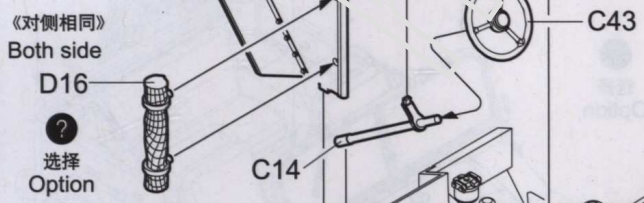
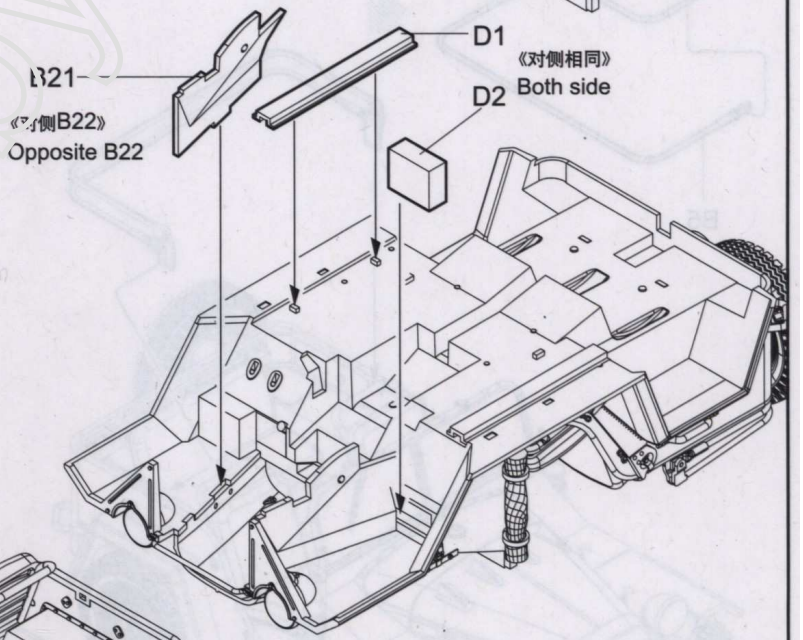
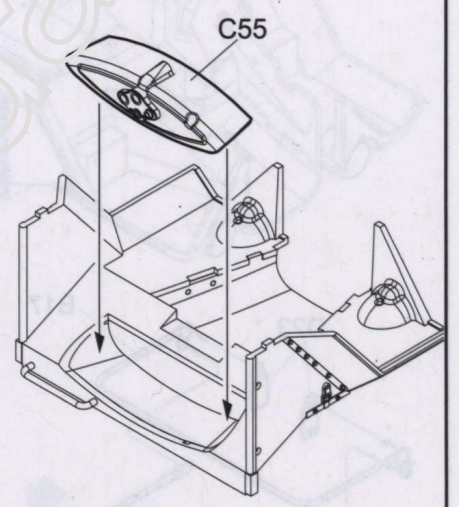
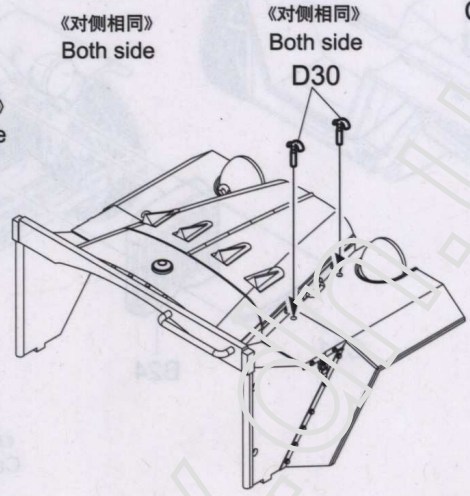
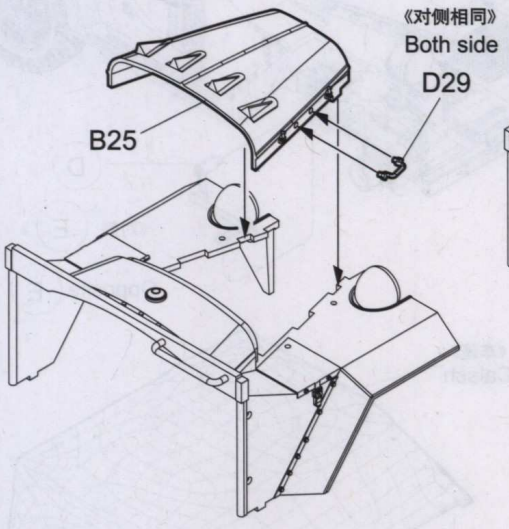
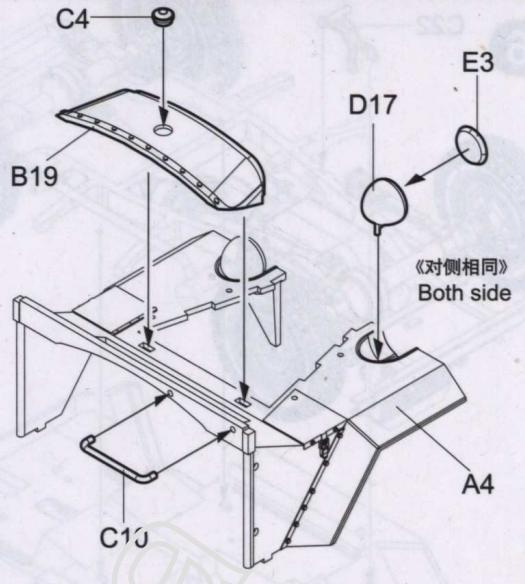
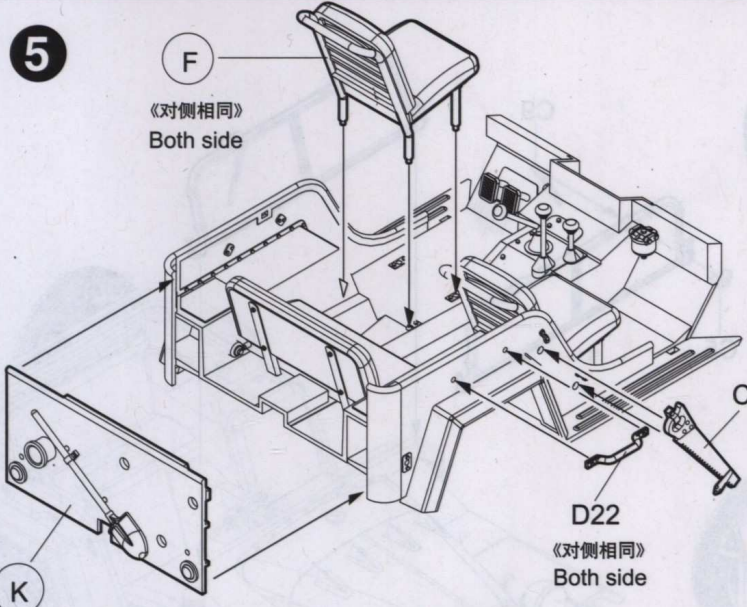
3





5

F  
《对侧相同》  
Both side



J

《对侧相同》  
Both side  
D16  
选择  
Option

B15  
《对侧B14》  
Opposite B14

D21  
《对侧B22》  
Opposite B22

《对侧相同》  
Both side

《对侧相同》  
Both side  
D29

《对侧相同》  
Both side  
D30

D1  
《对侧相同》  
D2 Both side

D22  
《对侧相同》  
Both side

K

B25

D21

C14

C43

D13

B19

C10

D17

E3

D30

C55

D1

D2

D21

Opposite B22

《对侧相同》  
D2 Both side

《对侧相同》  
Both side

《对侧相同》  
Both side

《对侧相同》  
Both side  
D29

《对侧相同》  
Both side  
D30

D1  
《对侧相同》  
D2 Both side

D22  
《对侧相同》  
Both side

《对侧相同》  
Both side  
D16  
选择  
Option

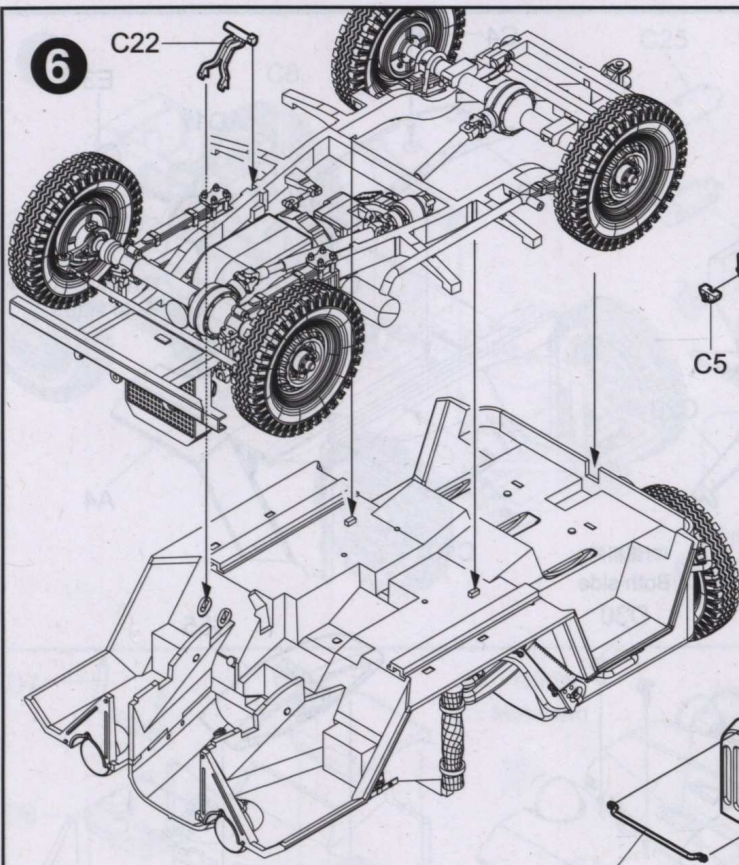
B15  
《对侧B14》  
Opposite B14

D21  
《对侧B22》  
Opposite B22

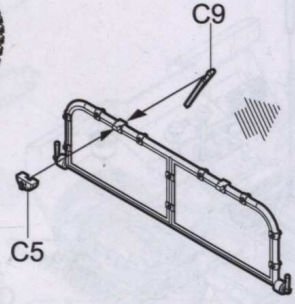
《对侧相同》  
Both side

6

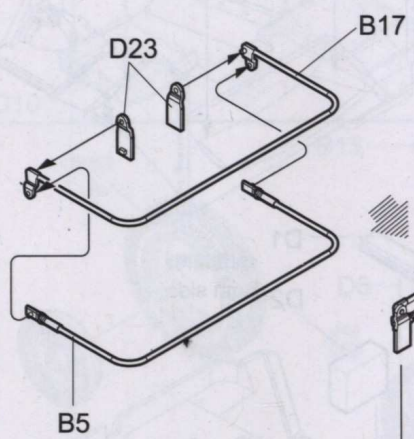
C22



C9



C5



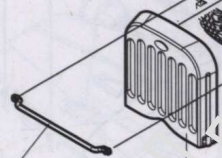
B17

D23

B5

C11

F,24

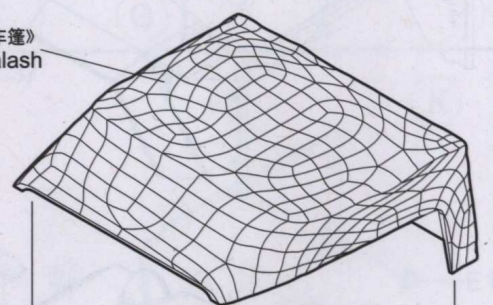


D

《对侧 E》

Opposite E

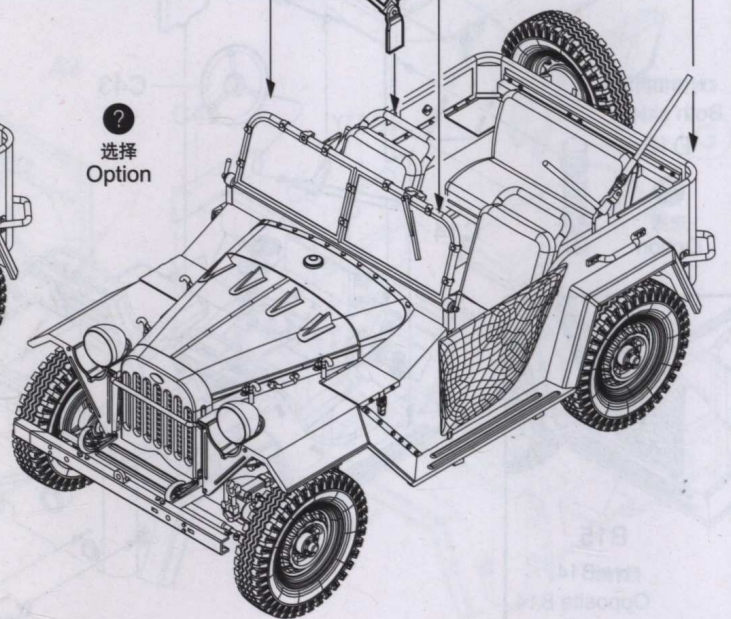
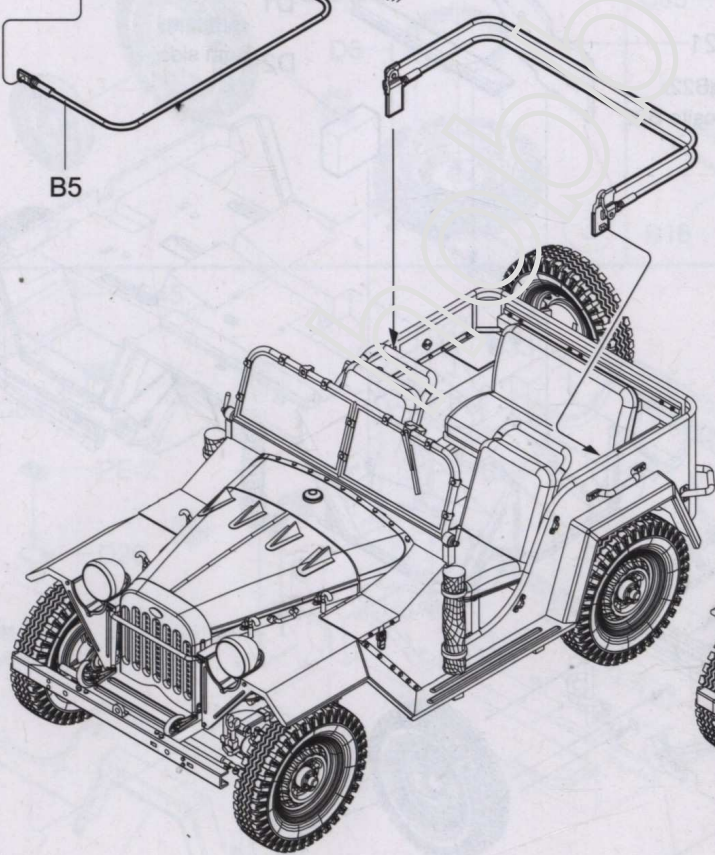
《车篷》  
Calash



《对侧B1》  
Opposite B1

B3

●  
选择  
Option



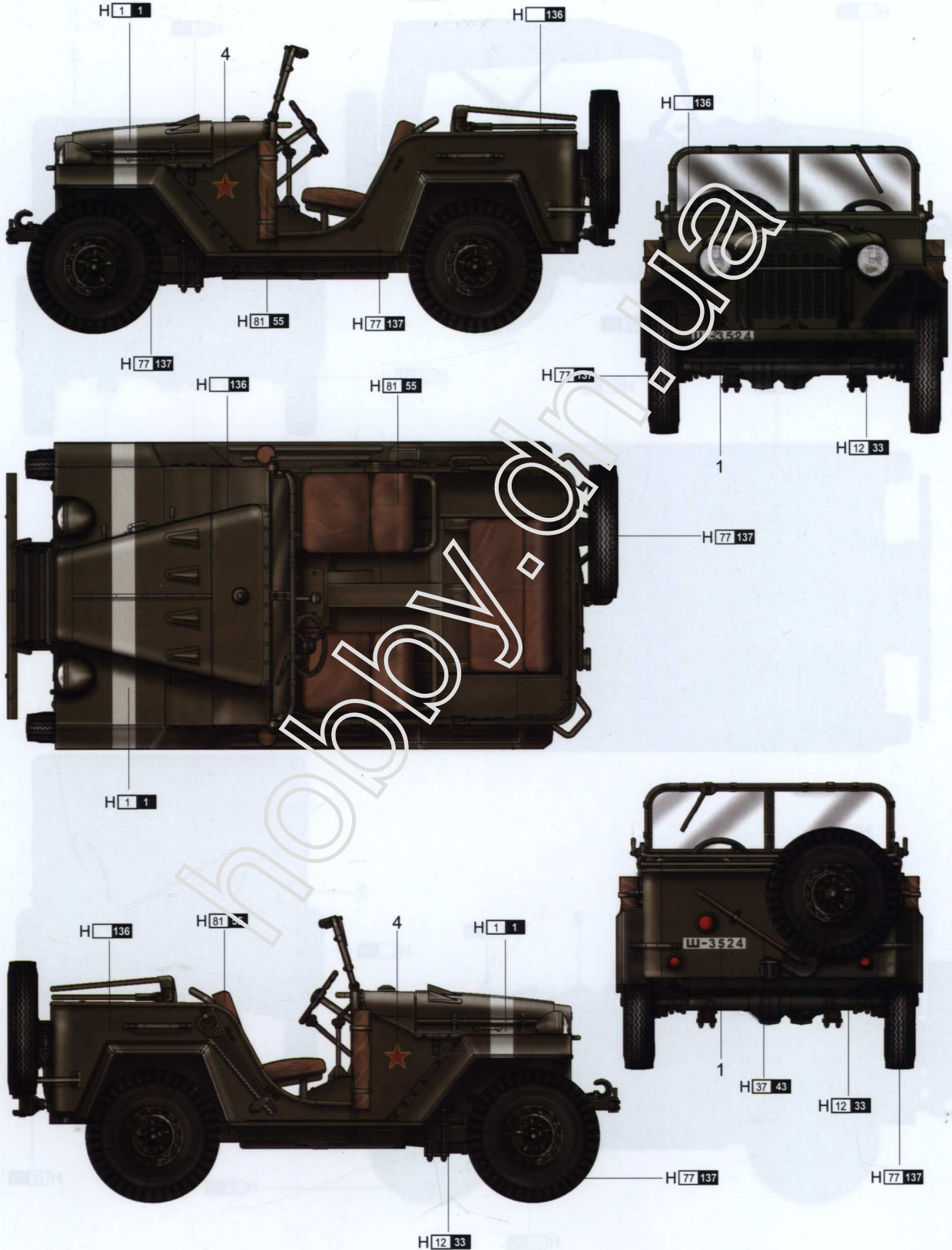


# 涂装同标贴指示

## Painting & Marking guide

### PAINT REFERENCE COLOUR

Color	Mr.Hobby	Vallejo	Model Master	Tamiya	Humbrol
Flat Black 哑光黑	H 12 33	950	1749	XF1	33
Russian Green 苏式绿	H 136	-	1713	XF20	117
Tire Black 胎黑色	H 77 137	-	-	-	-
Wood brown 木棕色	H 37 43	983	1701	-	186
White 白色	H 1 1	842	1745	X2	22



# 涂装同标贴指示

## Painting & Marking guide

### PAINT REFERENCE COLOUR

Color	Mr.Hobby	Vallejo	Model Master	Tamiya	Humbrol
Flat Black 哑光黑	H 12 33	950	1749	XF1	33
Russian Green 苏式绿	H 136	-	1713	XF20	117
Tire Black 胎黑色	H 77 137	-	-	-	-
Wood brown 木棕色	H 37 43	983	1701	-	186
Khaki 卡其色	H 81 55	988	-	XF49	26

