

DB-3F/IL-4/IL-4T

SOVIET LONG-RANGE BOMBER



Fuselage Length: 313.6mm
Wing Span: 444.1mm
Total Plastic Parts: 409pcs

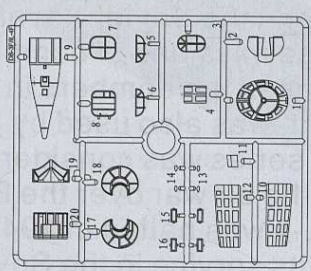
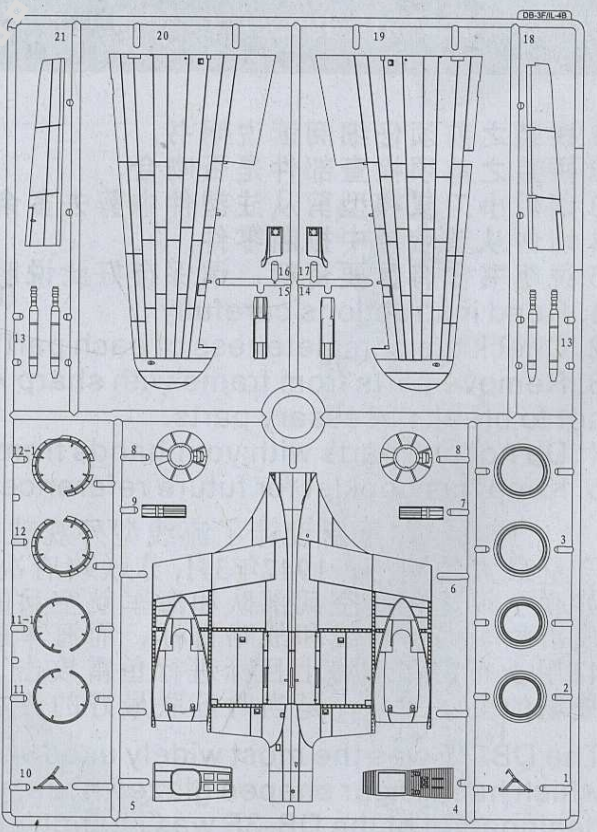
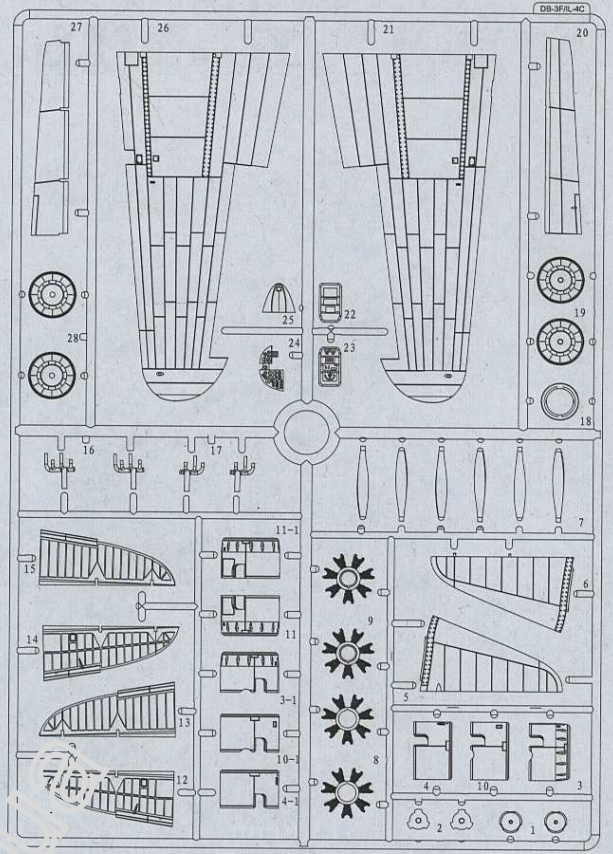
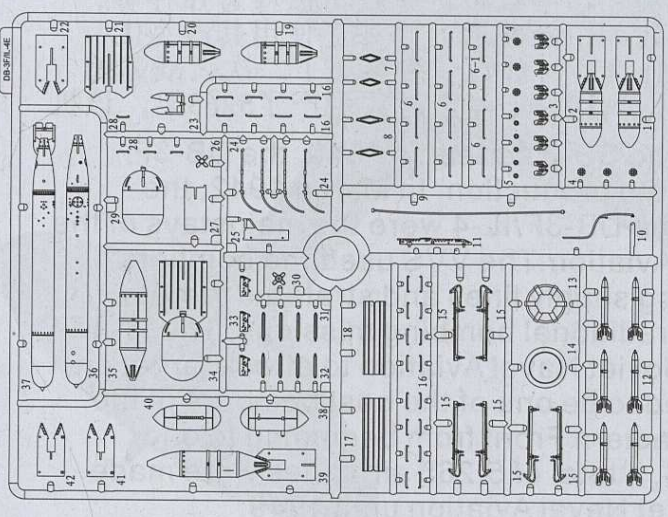
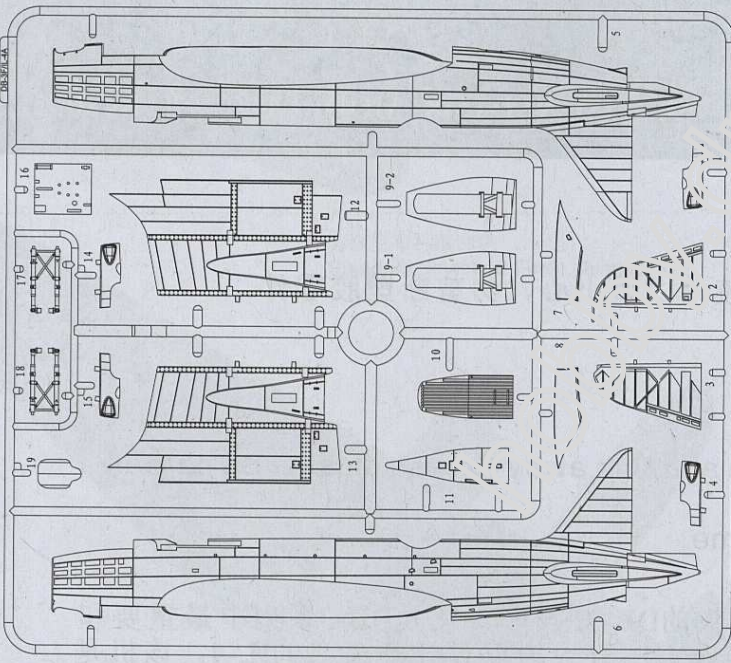
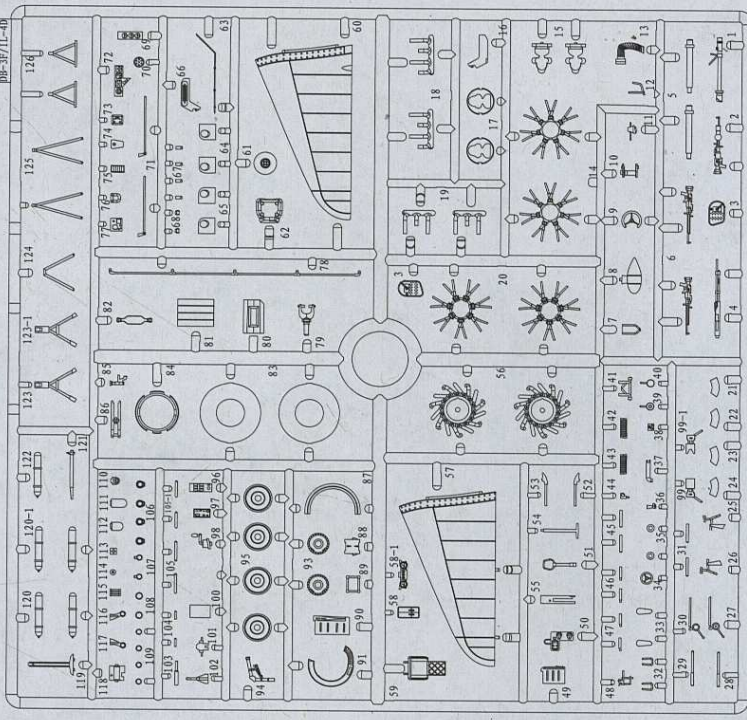
SCALE 1/48 MODEL KIT NO B48005


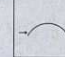
1. 拼装之前须仔细阅读说明书。
2. 拼装之前须检查部件是否吻合。
3. 请用小刀或模型剪从注塑件中剪去多余的胶片，请小心，勿剪断塑胶零件。
4. 切勿从塑胶片中拉断零件。
5. 说明书含有重要资料，请保存好此说明书。

1. Read instructions carefully.
2. Check the completeness of each part.
3. Remove parts from frame with sharp knife and trim away excess plastic. Be careful not to break necessary parts.
4. Do not pull parts with your hands from frame.
5. Keep this booklet for future reference.

1940年，重新设计了流线型外观玻璃机头的DB-3F投产，它是DB-3系列中最重要和产量最大的型号，1942年3月，苏联政府决定，将DB-3F改为以设计师命名的IL-4。该机是苏联空军远程航空兵部队和海军航空兵的主力机种。在空军中主要承担远程轰炸任务，攻击敌军的补给线和战略目标，而海军航空兵在战争中除普通轰炸外还使用其改型IL-4T用于布雷和对海上目标进行鱼雷攻击。DB-3和IL-4系列自始至终参加了二次大战苏德战场的空中战斗，是当时苏联最好的轰炸机之一。到1944年停产时共生产了5265架。该机

The DB-3F was the most widely used variant of the DB-3 series. In 1940, the DB-3F, which has a cigar shaped glazed nose, was put into production. In March 1942, the designation of the DB-3F was changed to IL-4. The DB-3F/IL-4 were the mainstays of the VVS Long Range Aviation and the Soviet Naval Aviation. The VVS used the bombers mainly to perform long range missions of bombing supply lines and strategic targets. The Soviet Naval Aviation used the bombers in traditional bombing missions. The IL-4T, which was a torpedo variant, was also used by Soviet Naval Aviation to attack target on the sea. The DB-3 and IL-4 series was considered to be one of the best bombers of the VVS, and they took part in the air war over the Eastern Front from beginning to end. Production of the DB-3F/IL-4 was halted in 1944, a total of 5,265 airplanes were made. The DB-3F/IL-4 continued its service in the Soviet Naval Aviation until 1949.



- | | | | | |
|---|---|---|---|---|
|  |  |  |  |  |
| 用胶粘合
Glue parts | 不用胶粘合
Do not glue | 小心留意
Caution | 制作两组
Make two sets | 选择采用
Optional |
|  |  |  |  |  |
| 切去
Remove | 贴上水印纸
Apply decal | 屈曲
Bend | 打孔
Make hole | 打磨平整
Polish |

水贴纸使用说明:

1. 从印花板上剪下所需部分, 放入温水浸泡10秒钟。
2. 拿着印花板将印花移到模型上,
3. 手指蘸水后, 将印花移到适当位置。
4. 用软布轻轻压印花直至气泡消失。

DECAL APPLICATION:

1. Cut decals from sheet as needed. dip the decal in warm water for about 10 seconds and then place on soft clean cloth.
2. Hold the decal onto the model in its proper position.
3. While still wet, decal can be adjusted for better fit on model by dampening it gently with your finger.
4. When placed in the proper position, gently press decal down with a soft cloth until excess water and air bubbles are gone.

number			model master	Mr. hobby	Tamiya
A	Matt white	亚白色	1745	H 1	XF2
B	Matt Black	亚黑色	1749	H 12	XF1
C	signal yellow	信号黄	1780	H 4	X8
D	olive drab	橄榄褐		H 78	XF62
E	matt light earth	浅土色			
F	matt olive drab	橄榄绿	1711	H 304	AS14
G	matt ocean grey	海灰色			XF54
H	russian blue	俄罗斯兰	2130		
I	matt light grey	浅灰色	1730	H 11	AS16
J	matt aluminium	铝色	1781		TS17
K	gunmetal	枪管色	1795		TS38
L	steel	钢铁色	1780		
M	matt sand	沙土色		H 21	TS46
N	dark grey	深灰色	1723		
O	sky blue	天蓝色		H 34	TS23
P	matt leather	皮革色	1733		
Q	chrome silver	铬银色	1790	H 104	TS30
R	transparent red	透明红		H 90	X27
S	transparent blue	透明绿		H 93	X23
T	light green	浅绿色		H 303	
U	wood	木棕色	1735	H 43	
V	brass	黄铜色	1782	H 219	XF28
W	steel red	烧铁色	1795	H 76	XF10
X	khaki	卡其色		H 52	
Y	red	红色	1775		

注意事项:

1. 切勿在火旁使用胶水、油漆和溶剂, 还应保持室内通风。
2. 由于某些零件比较细小, 切勿让3岁以下儿童接触, 禁止将此模型放入儿童口中。
3. 切勿让婴儿与儿童接触到塑料包装袋, 以避免窒息。
4. 本产品只适用于14岁以上人群使用。

CAUTION:

1. Do not use glue or paint near open flame. keep the window open. Maintain adequate air ventilation.
2. Keep out of the reach of children under 36 months old, as some parts are detachable. Children must not be allowed to suck any part in this kit.
3. Plastic bags can be dangerous. To avoid danger of suffocation, keep this bag away from children.
4. This kit is designed for people 14 and up.

制造商: 东莞市讯通发展公司

Manufacturer: Xuntong Development Co., Ltd.

地址: 广东省东莞市莞太大道5号讯通大厦

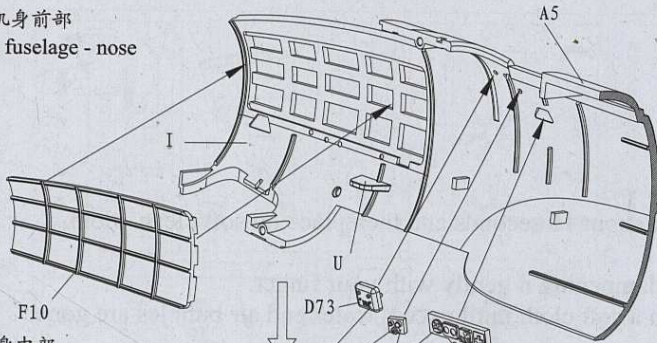
Address: Xuntong Building, 5 Guantai Road, Dongguan City, Guangdong Province

Tel: +86+769+22493699 Fax: +86+769+22469208

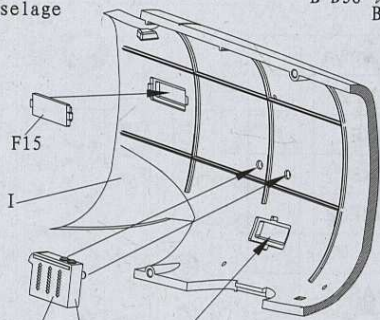
Postal code: 523009 E-mail: xtco@163.net

Http: //www. XT model. com. cn

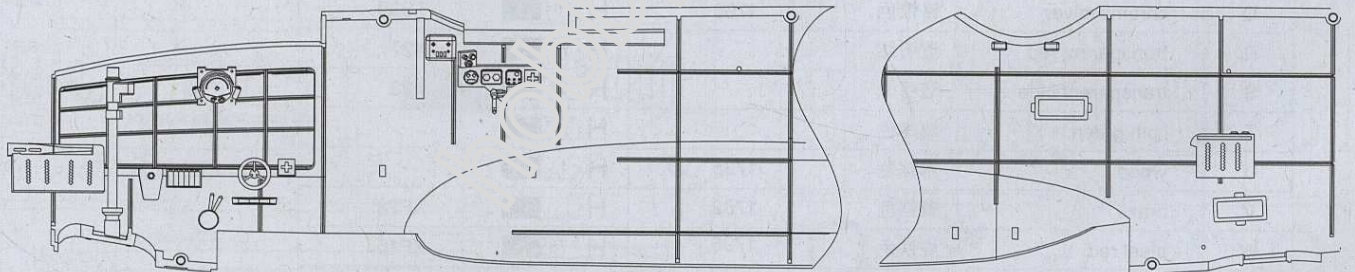
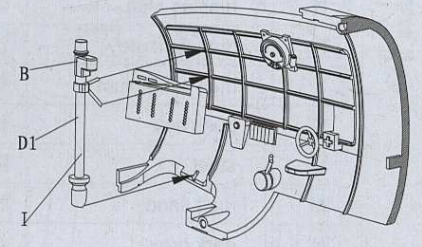
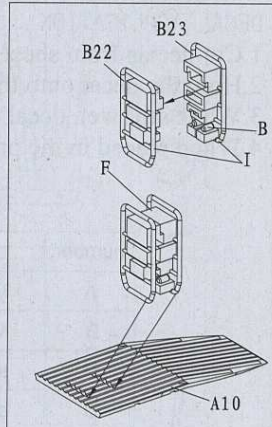
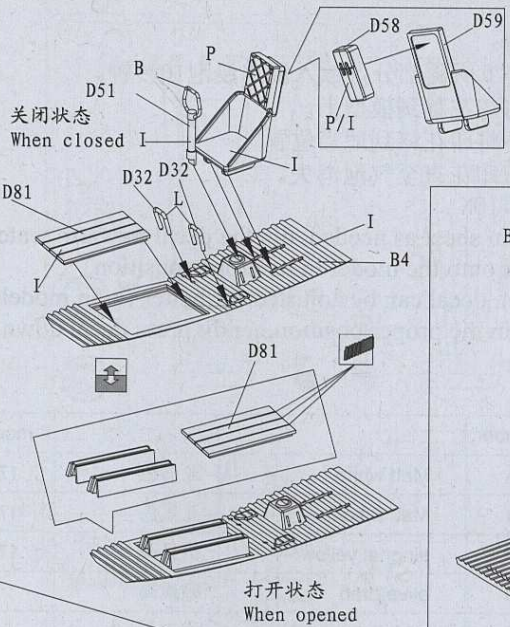
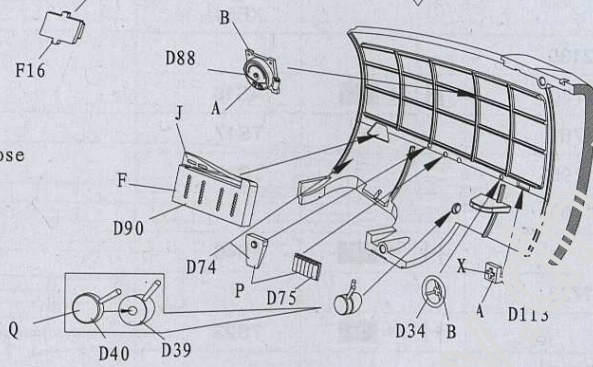
右侧机身前部
Right fuselage - nose



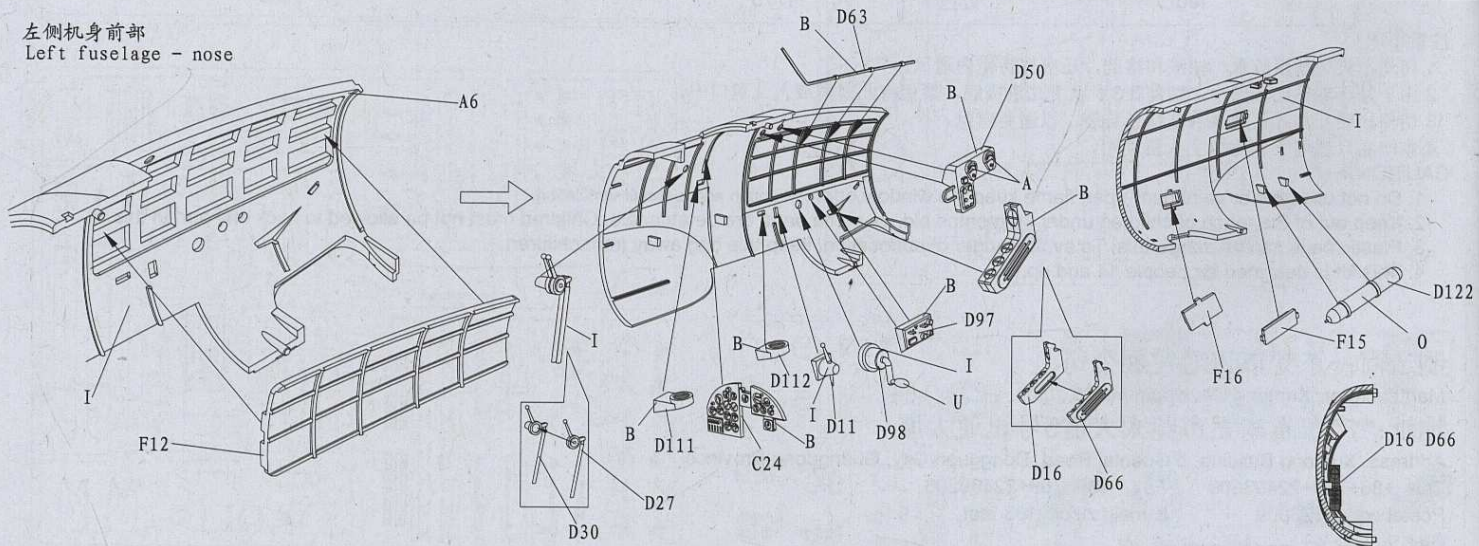
右侧机身中部
Right fuselage - middle

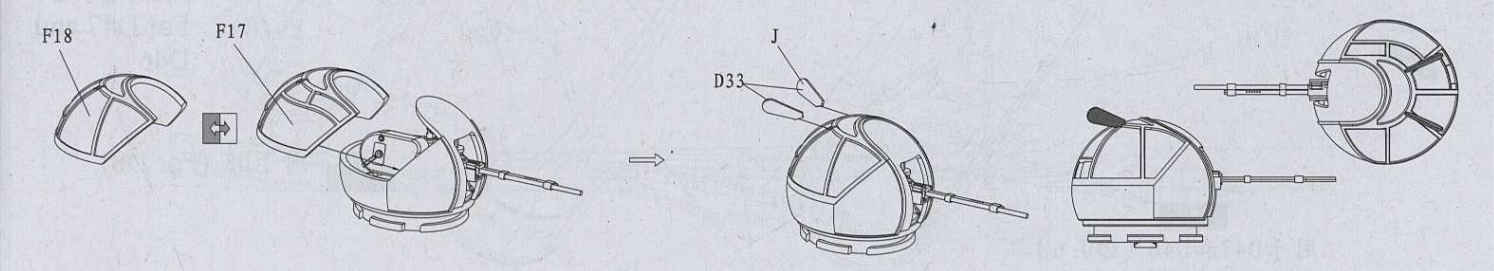
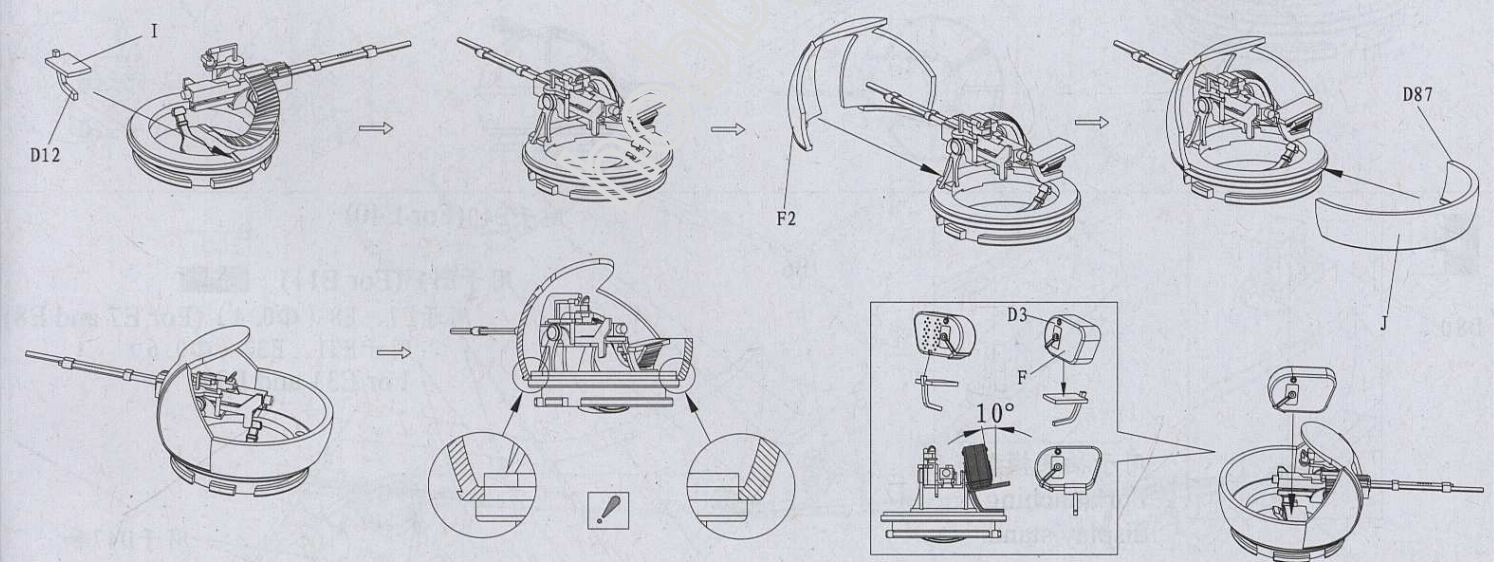
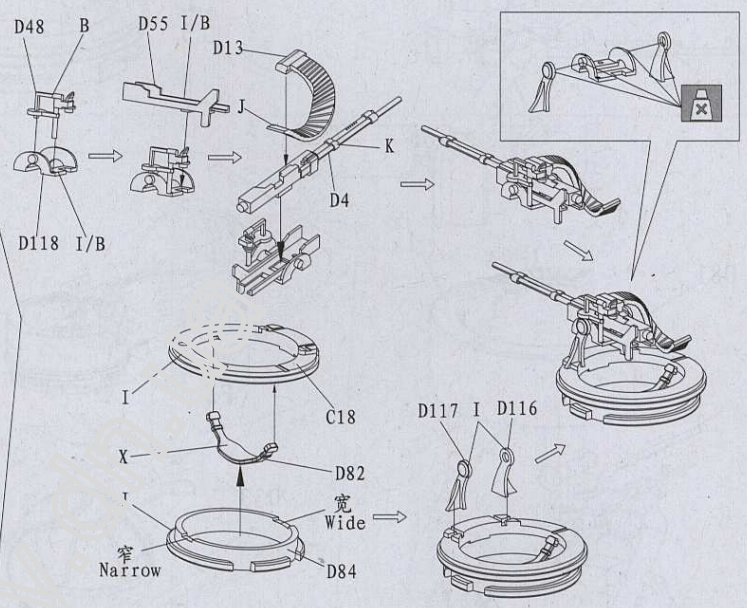
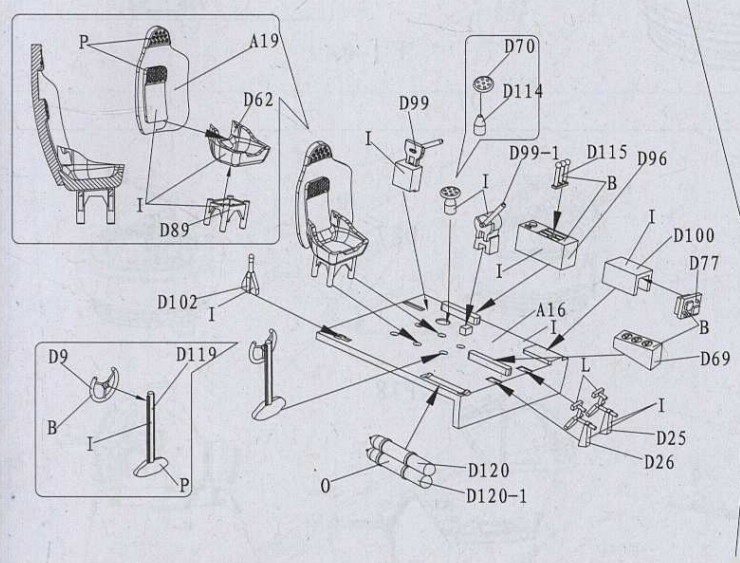
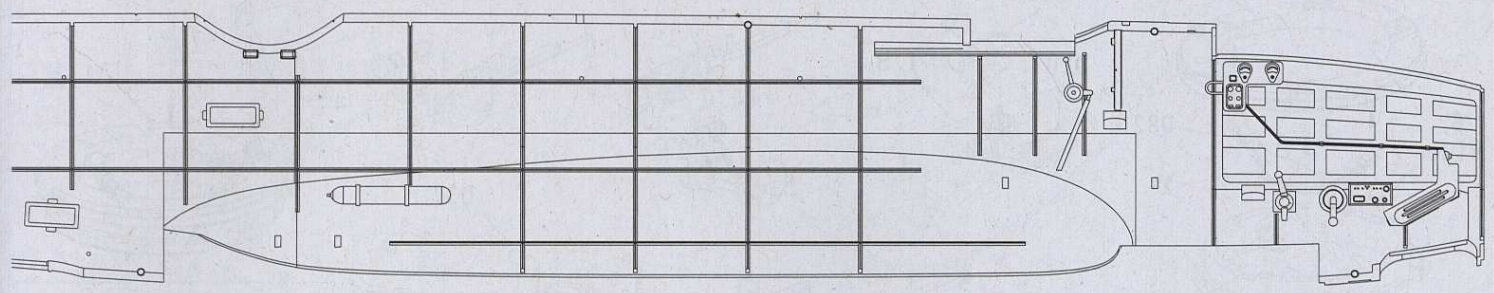


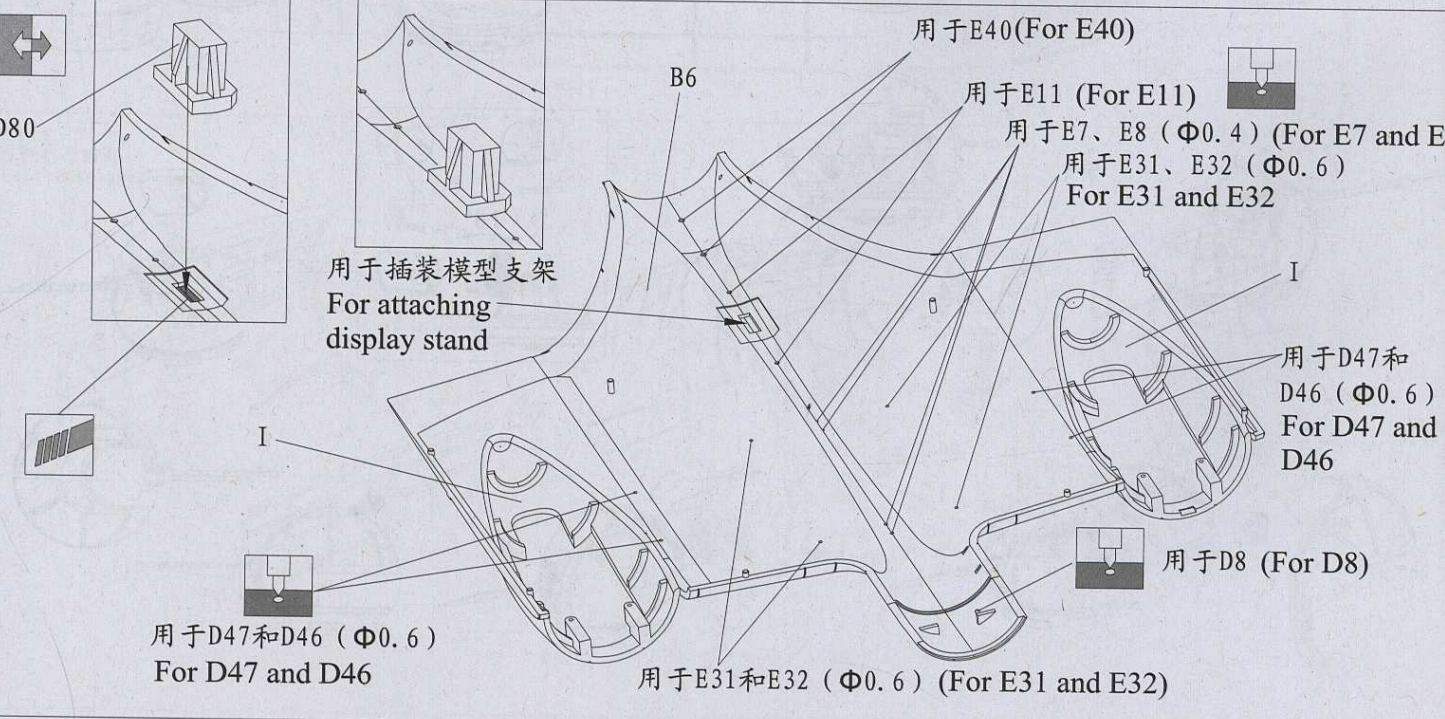
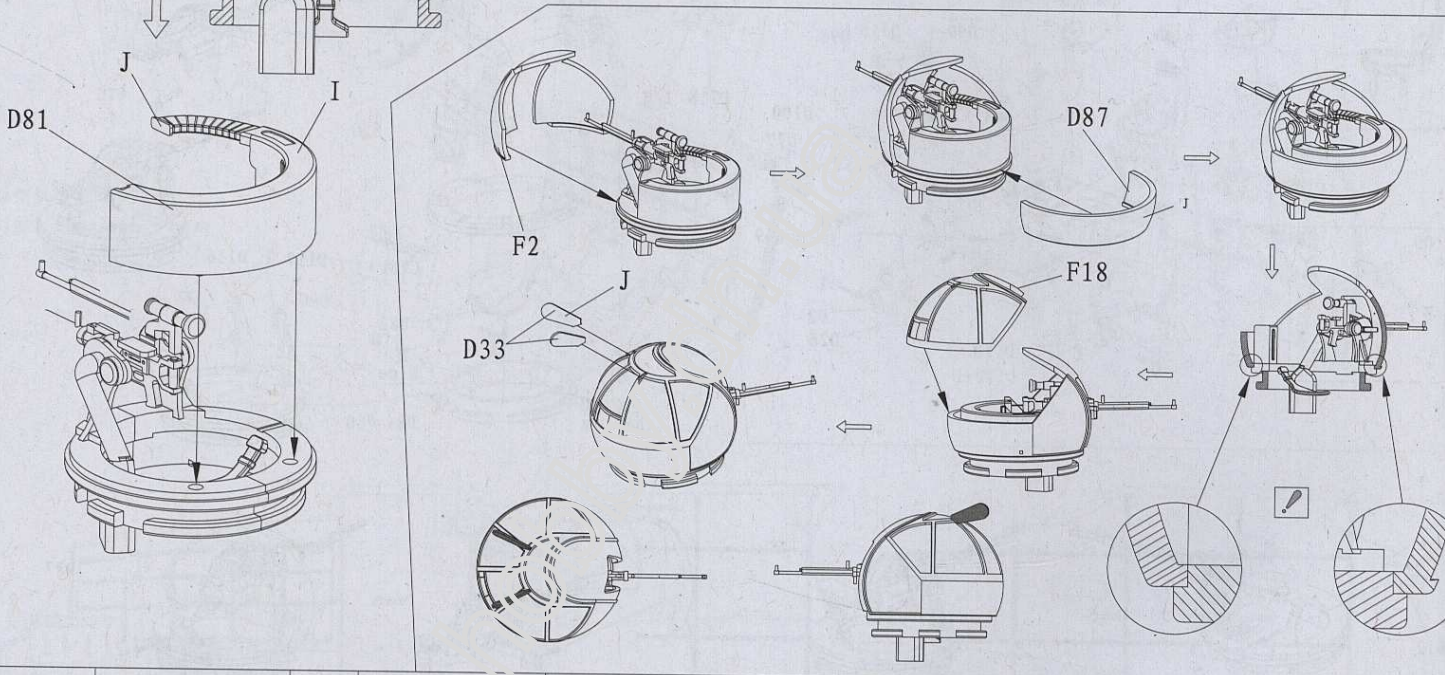
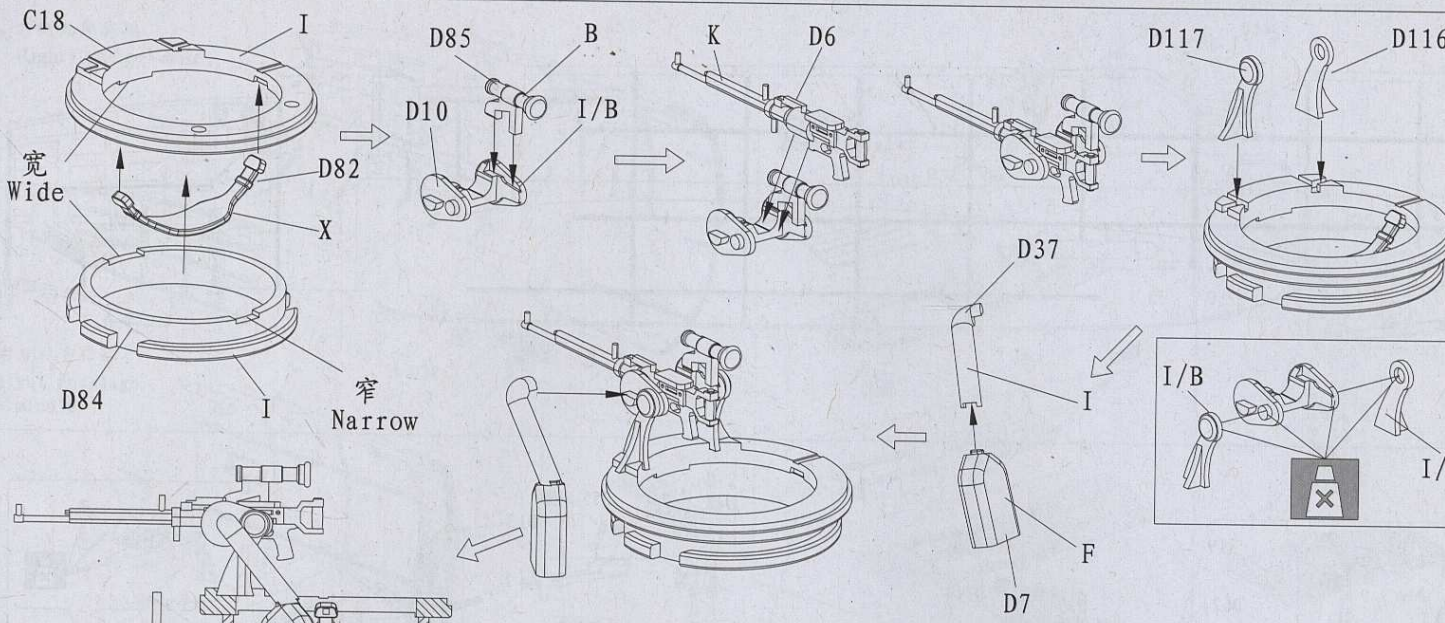
右侧机身前部
Right fuselage - nose

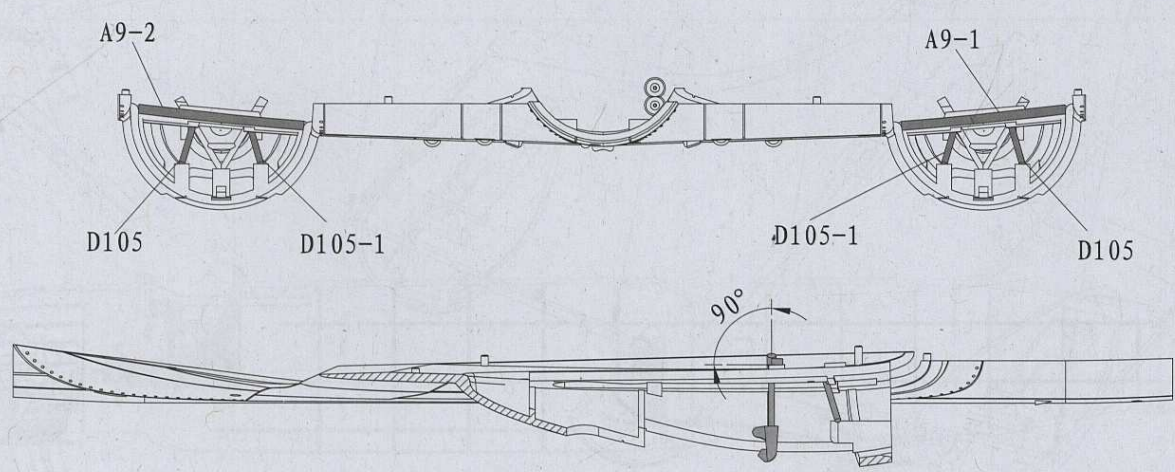
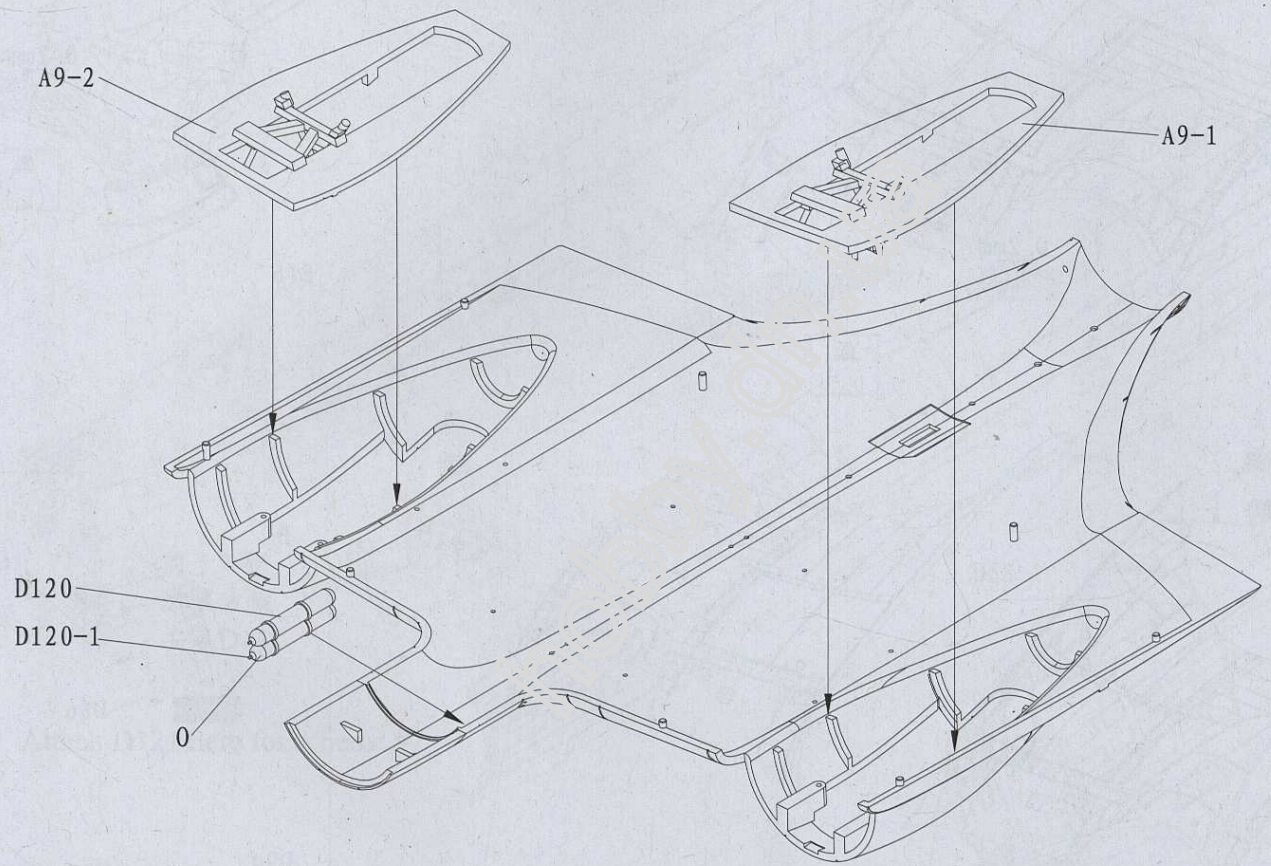
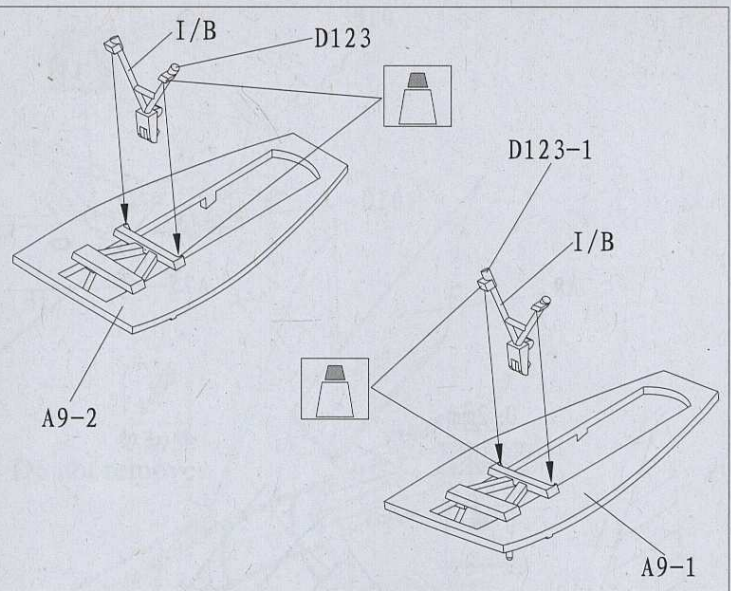
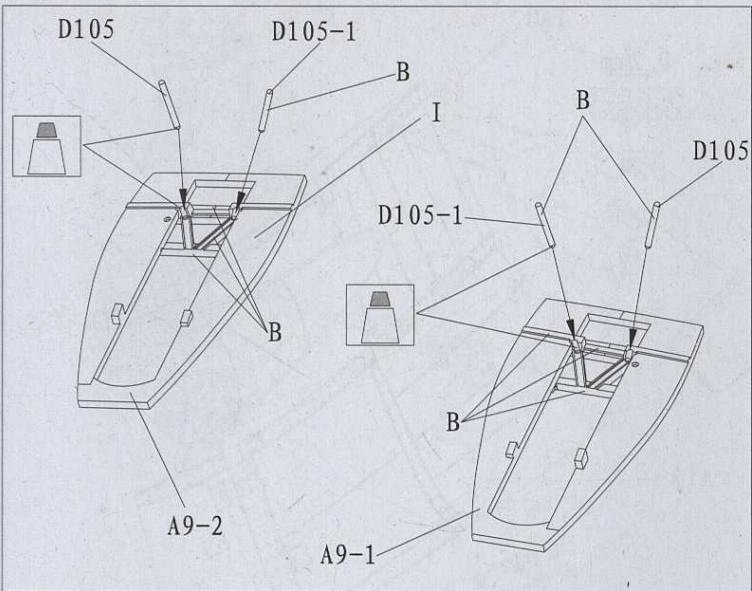


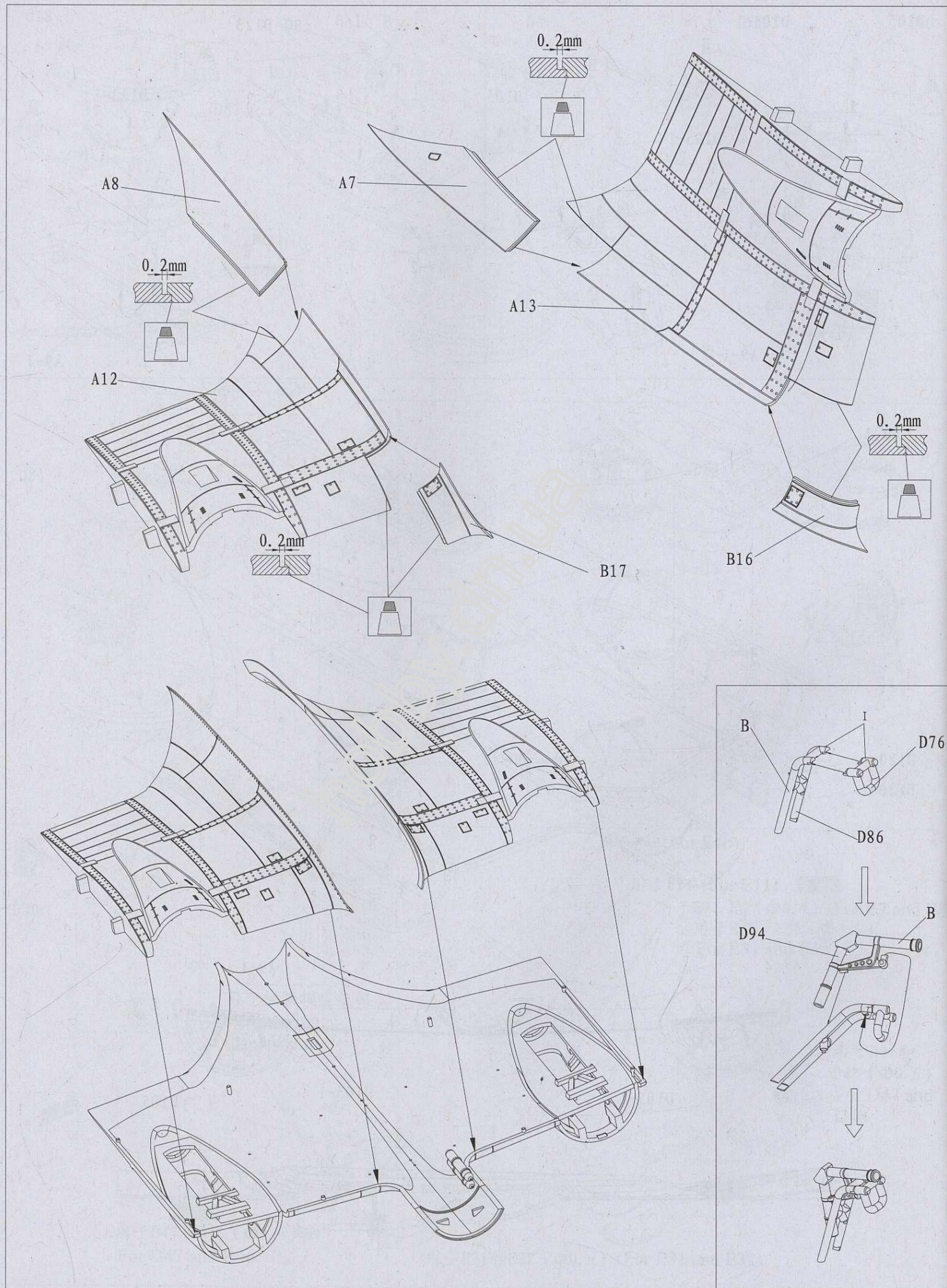
左侧机身前部
Left fuselage - nose

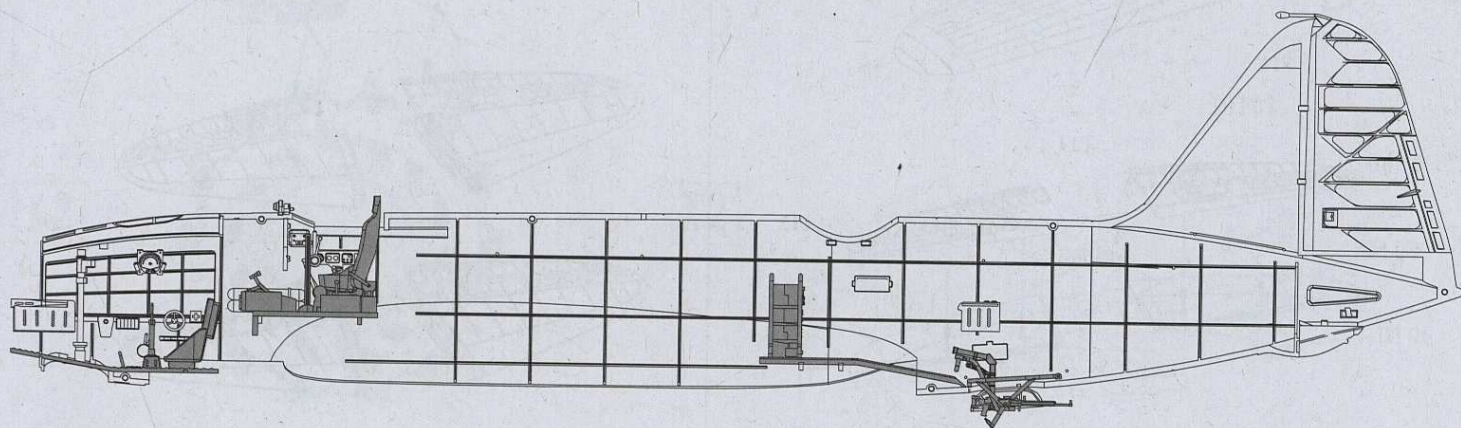
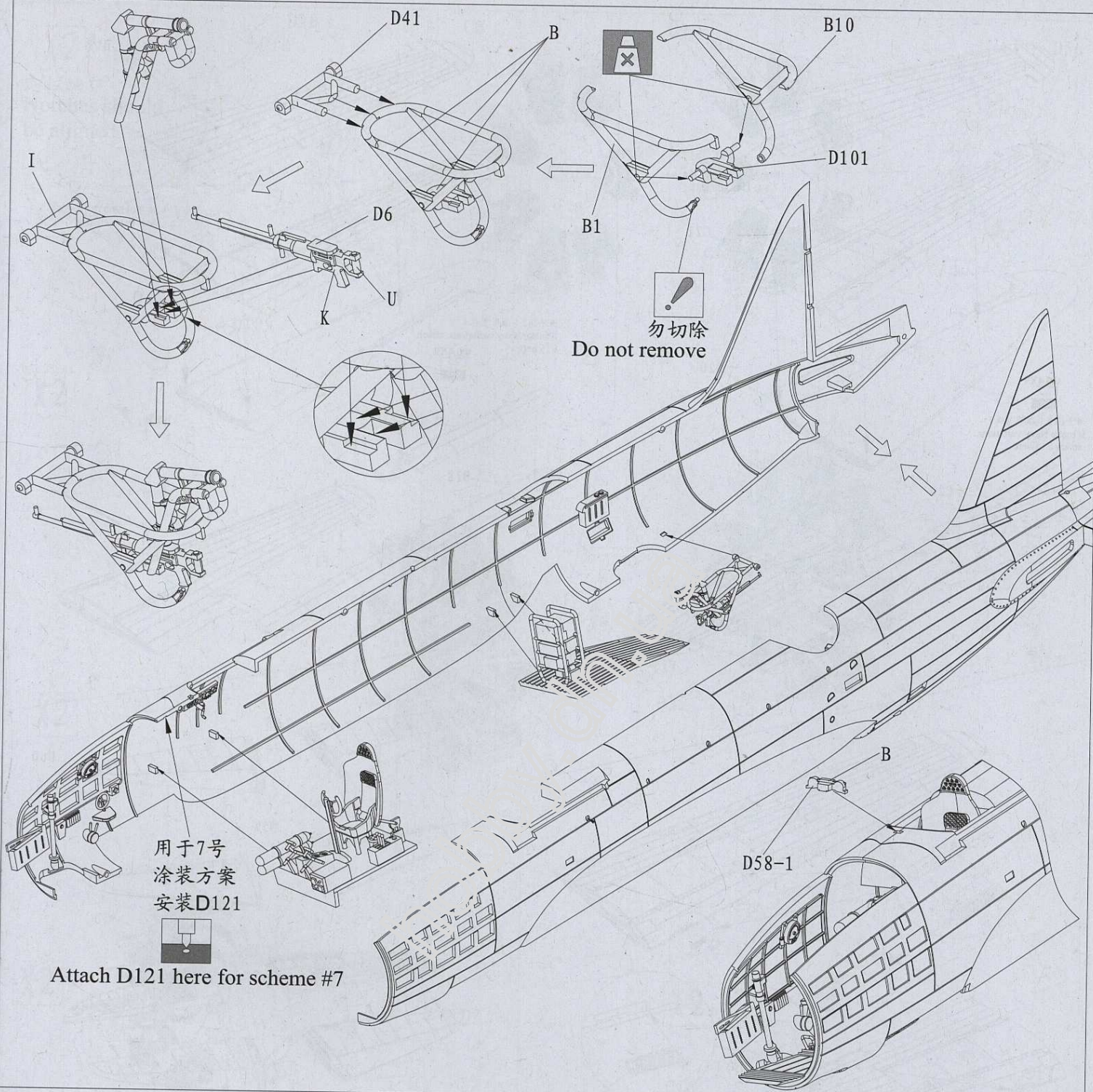


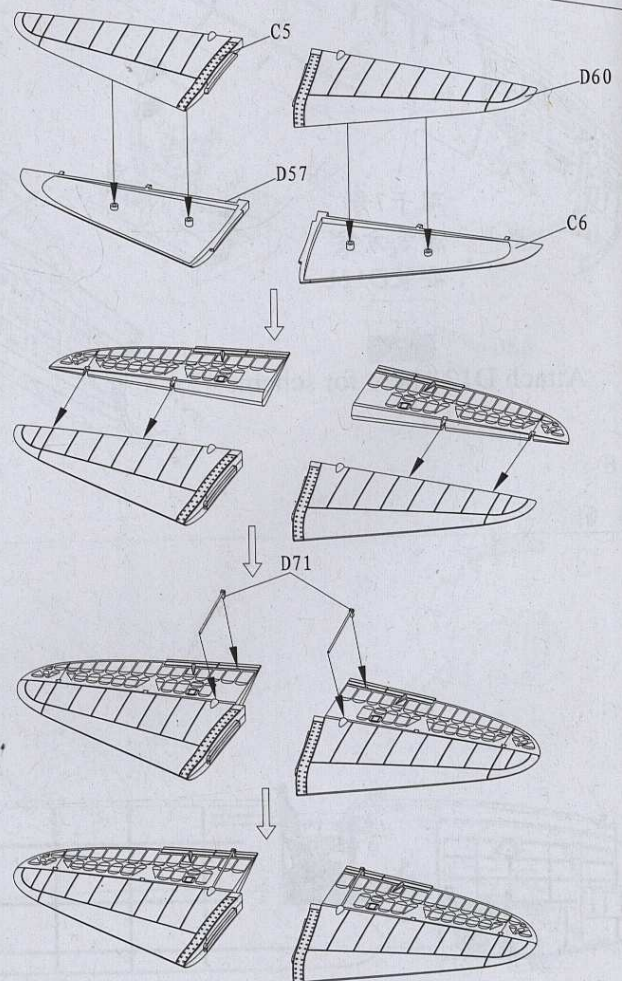
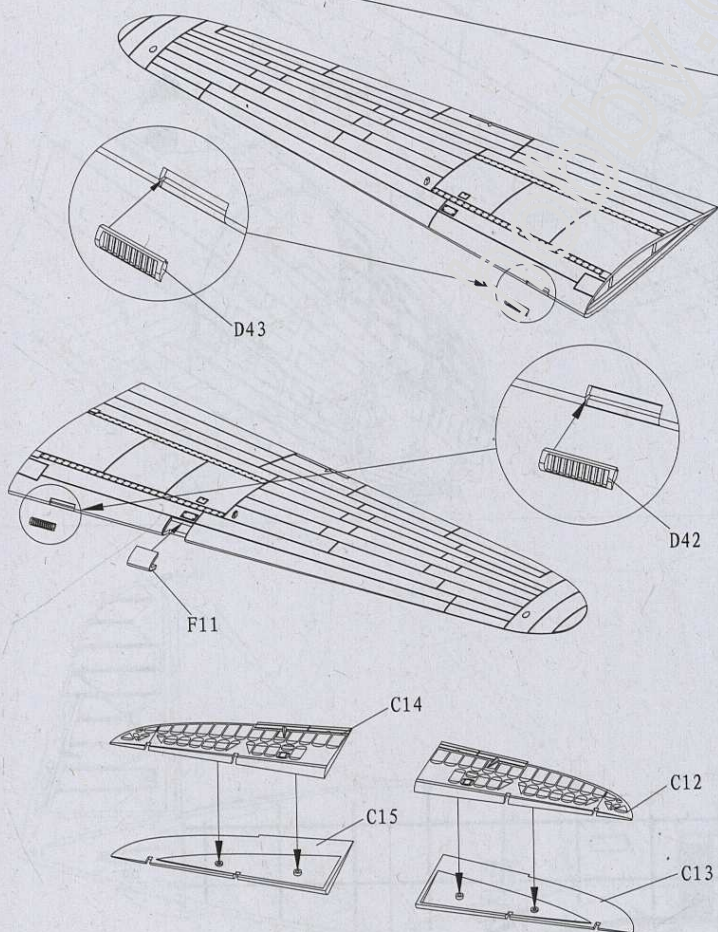
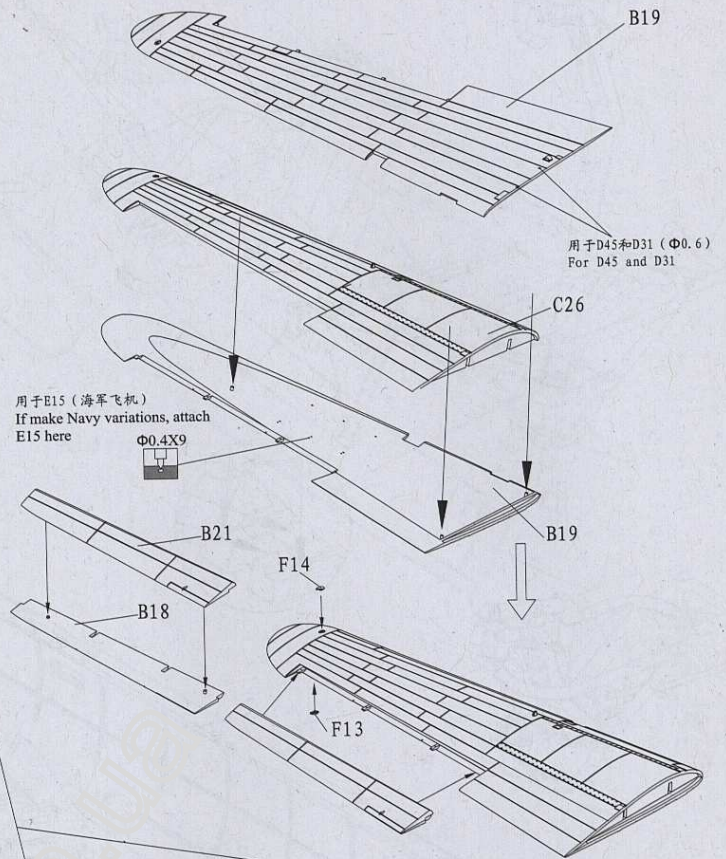
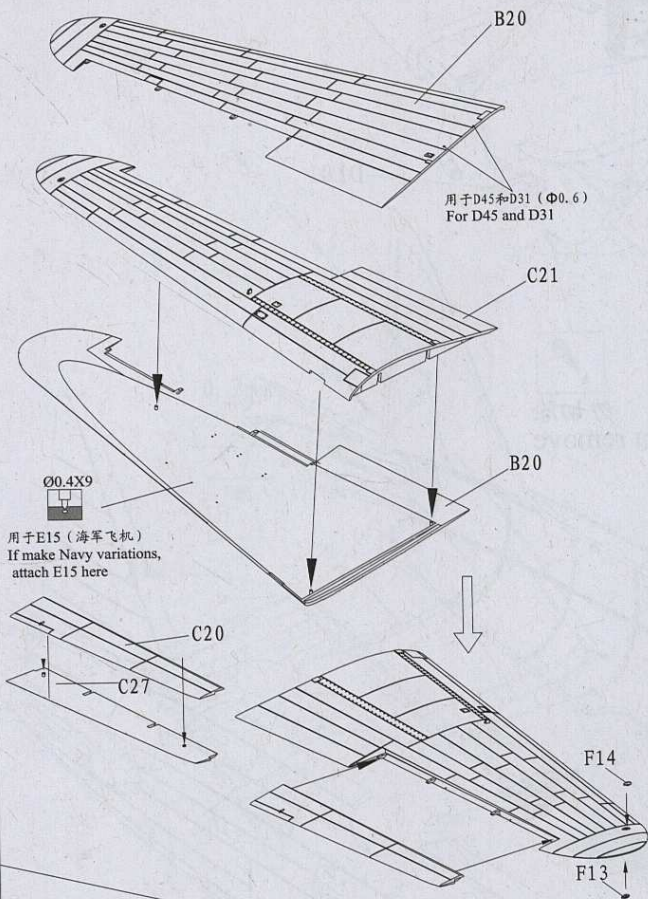


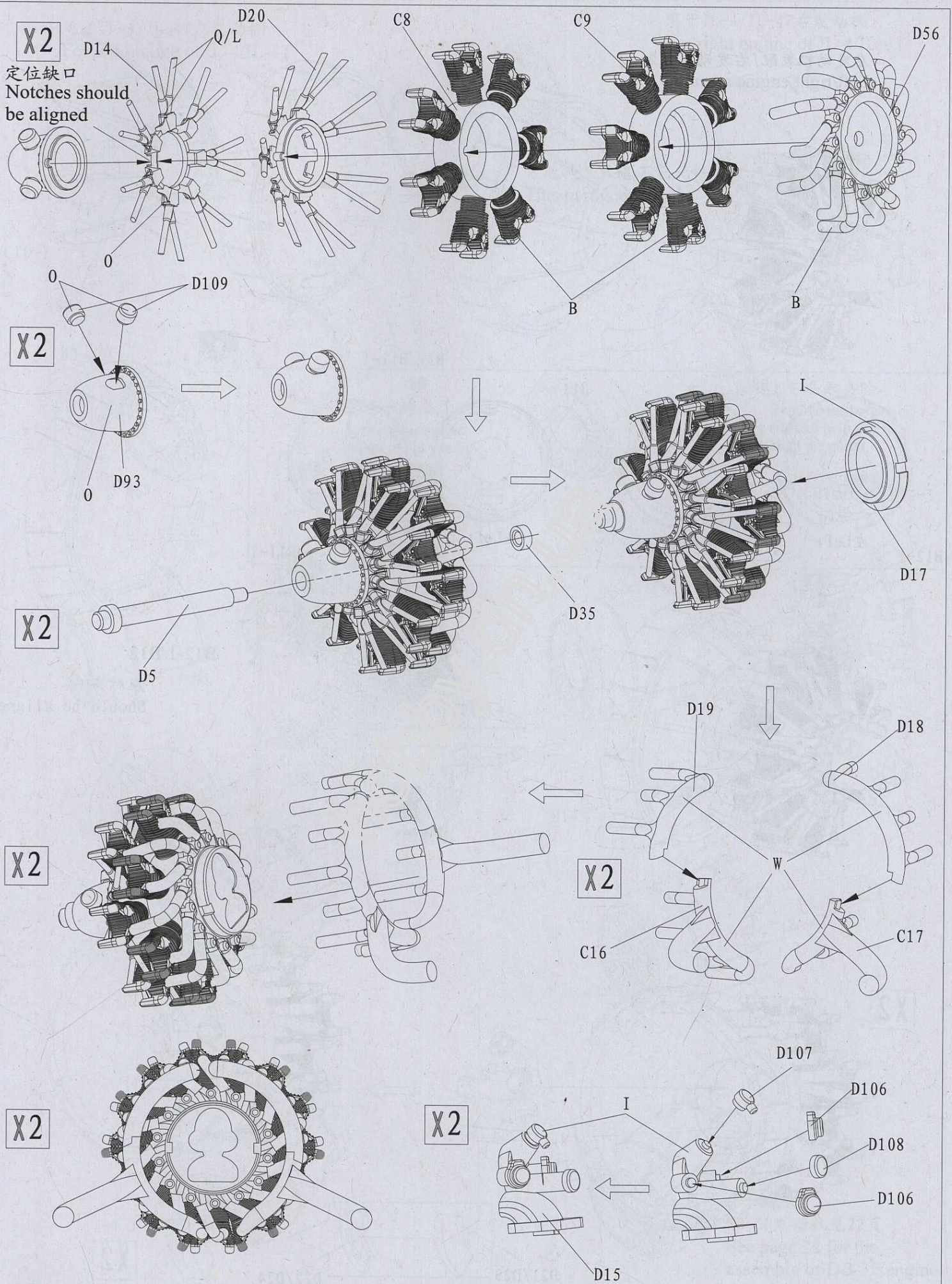




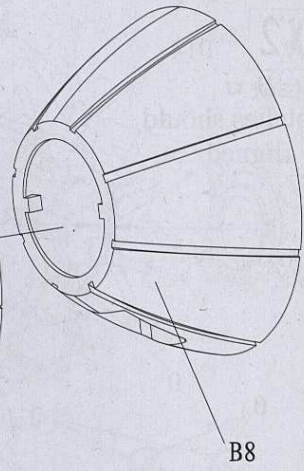
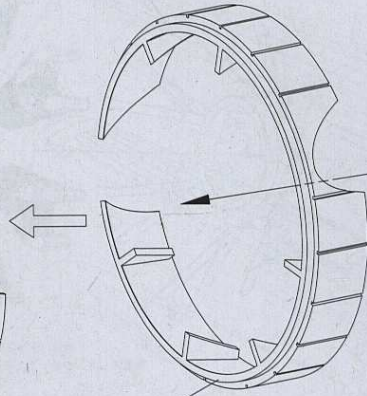
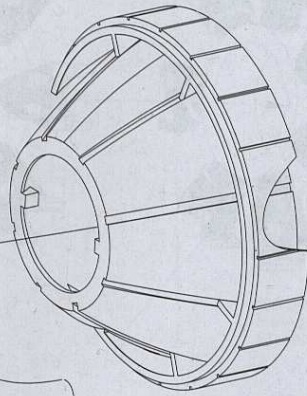
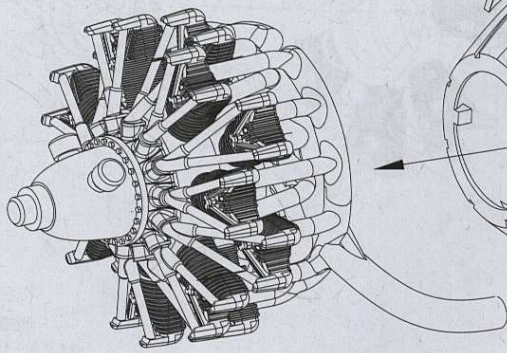






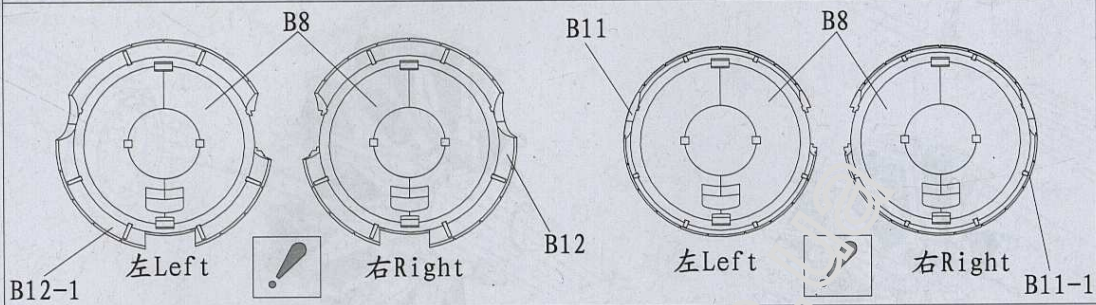


左发动机装配/右发动机装配
Left/right engine assembly



B8

B11/B11-1



B8

B11

B8

左Left

右Right

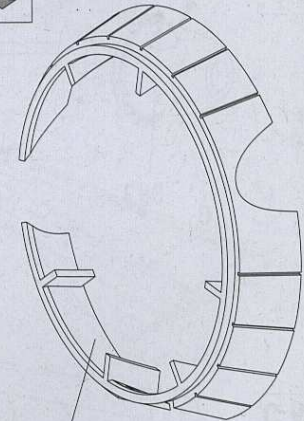
B12

左Left

右Right

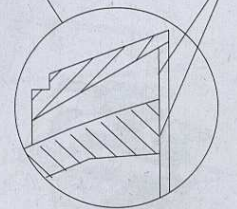
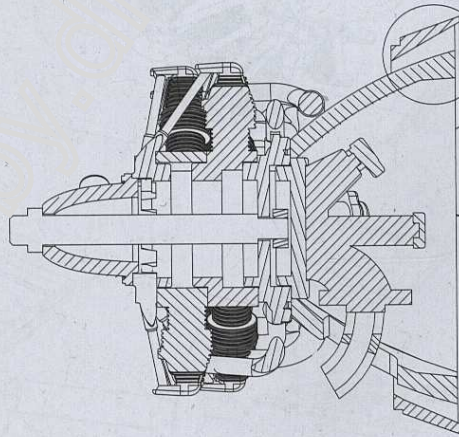
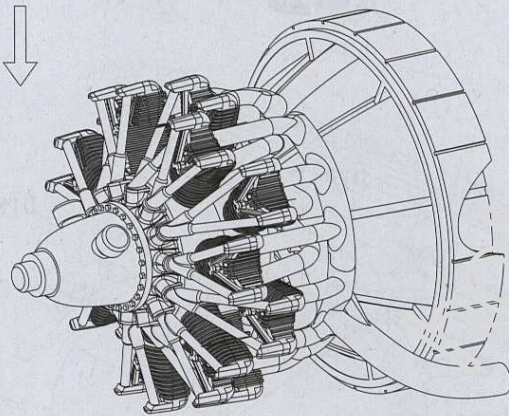
B12-1

B11-1

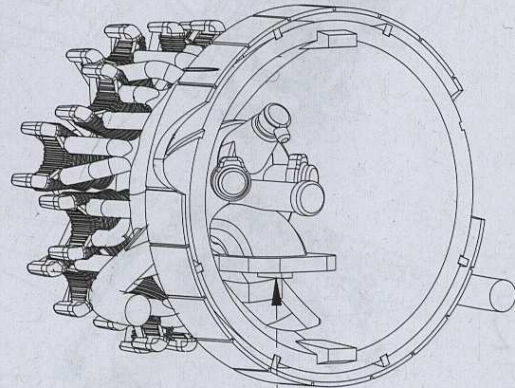
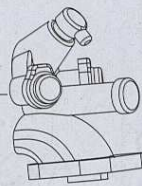
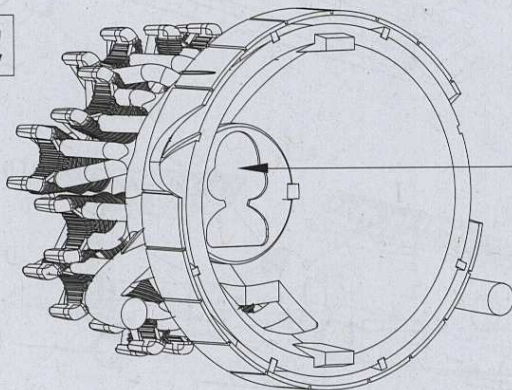


B12-1/B12

应对齐
Should be aligned



X2



D21/D23

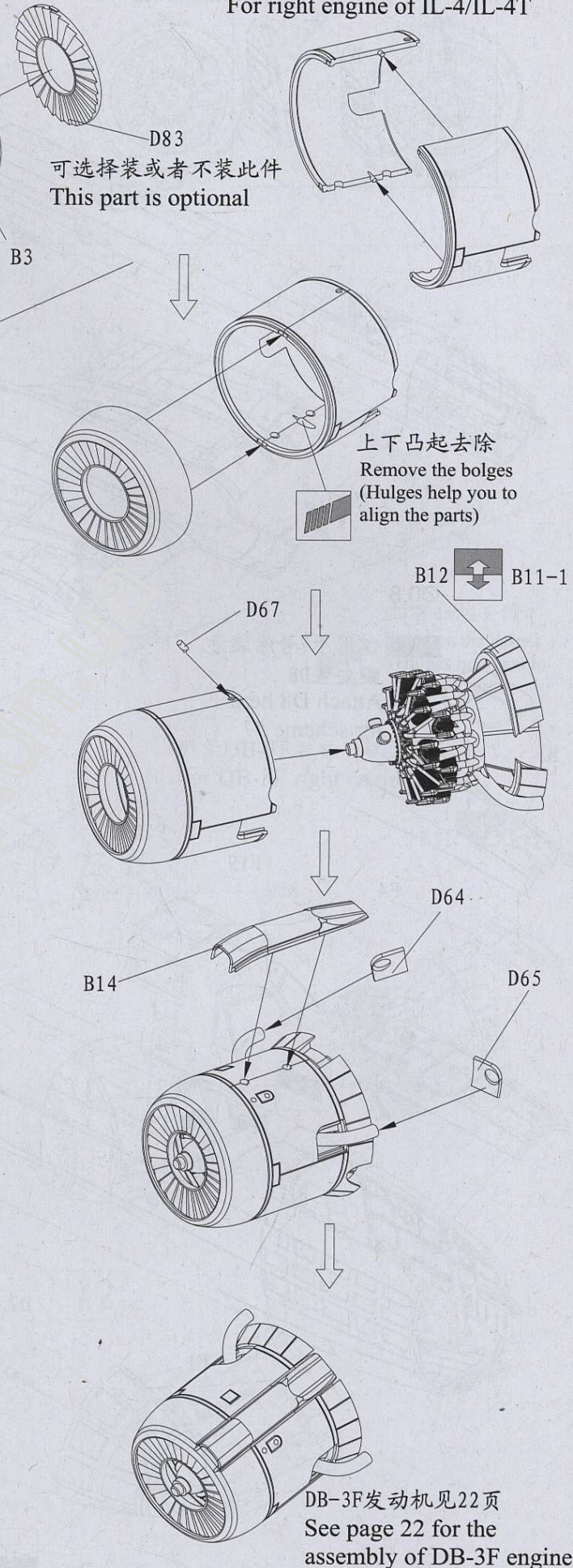
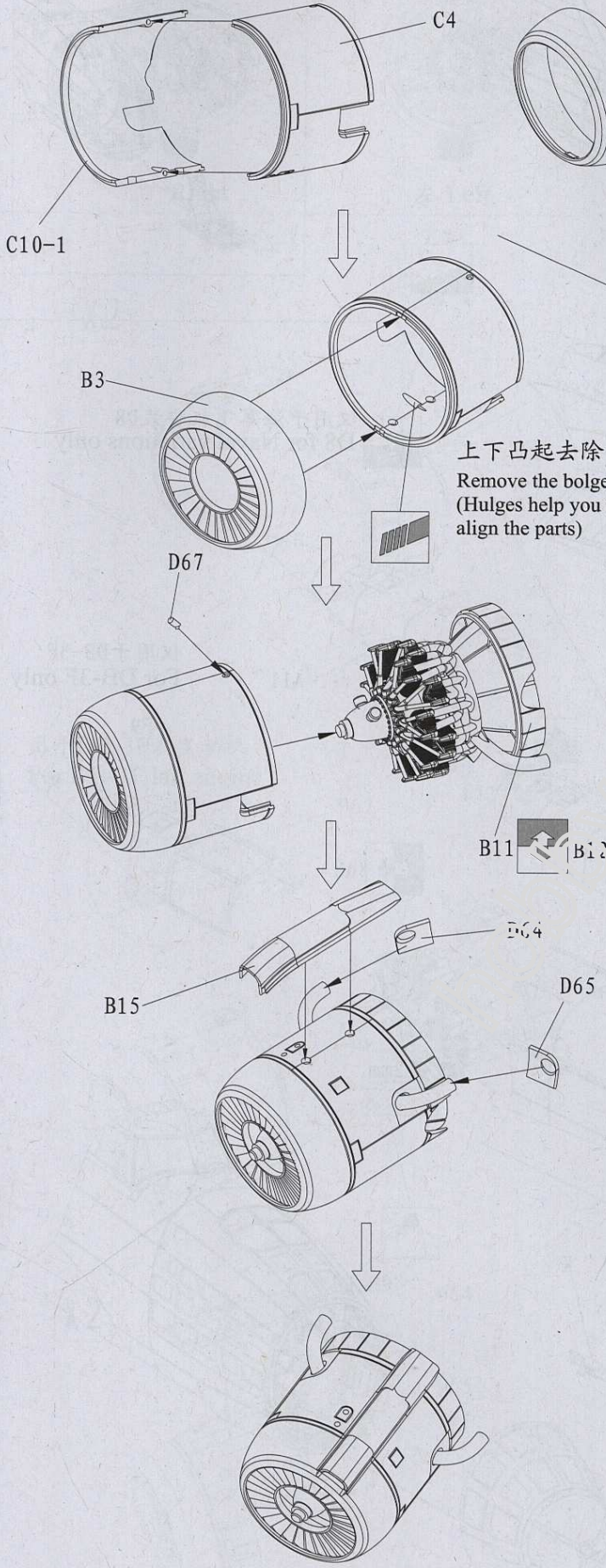
D22/D24

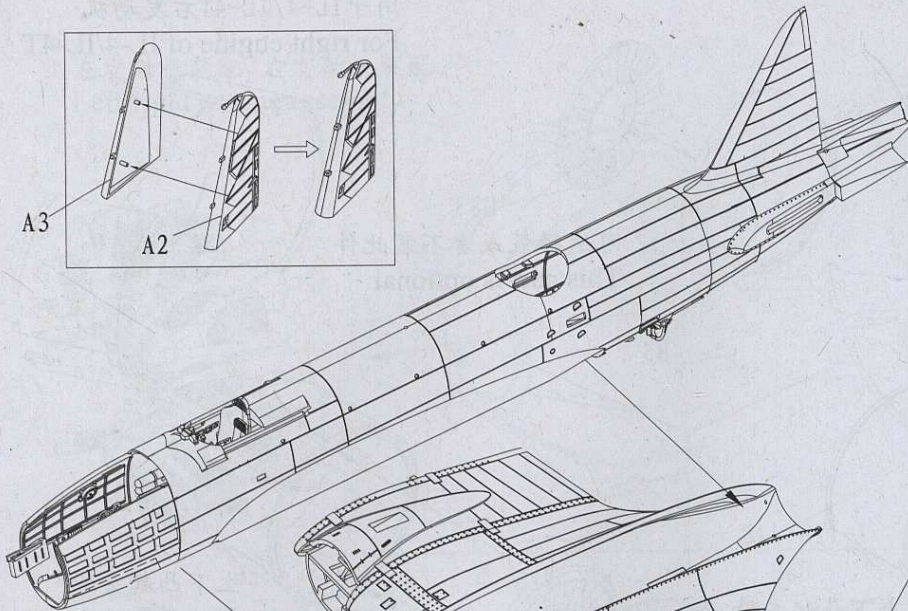
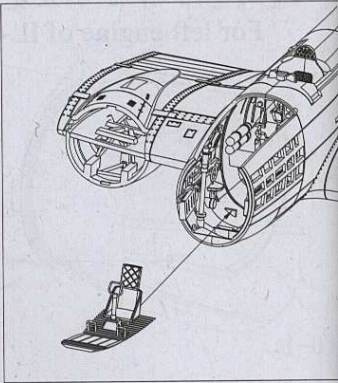
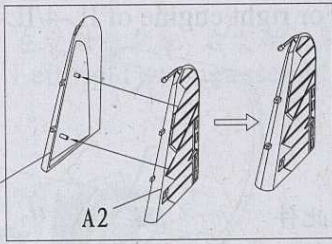
I

X2

用于IL-4/IL-4T左发动机
For left engine of IL-4/IL-4T

用于IL-4/IL-4T右发动机
For right engine of IL-4/IL-4T





仅用于海军飞机安装D8
D8 for Naval variations only

Ø0.8



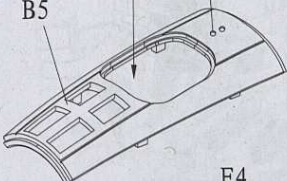
仅用于7号涂装方案安装D8
Attach D8 here for scheme #7

仅用于DB-3F
For DB-3F only

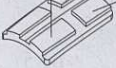
F7



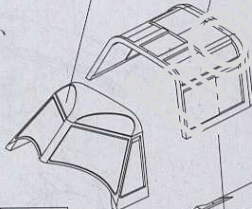
B5



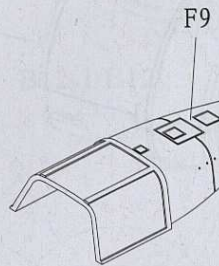
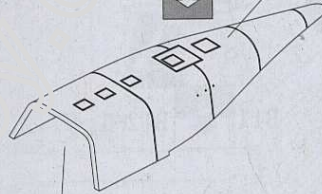
F4



F19



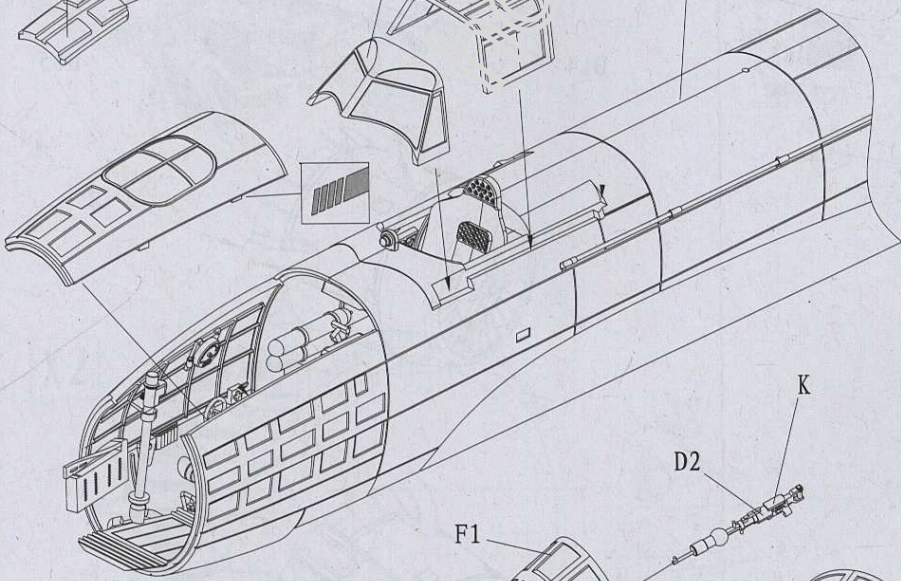
F2C



F9



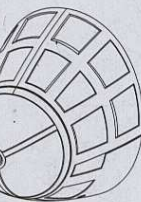
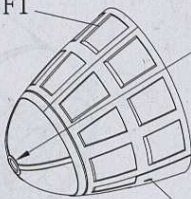
0.2mm



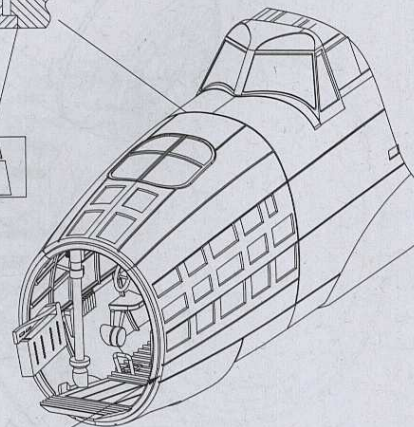
D2



F1

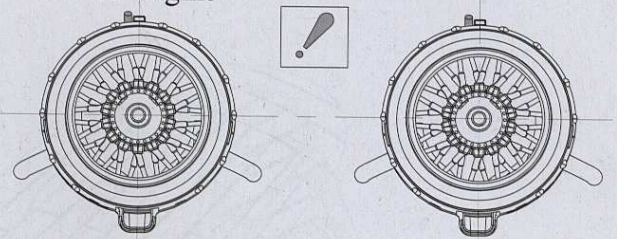
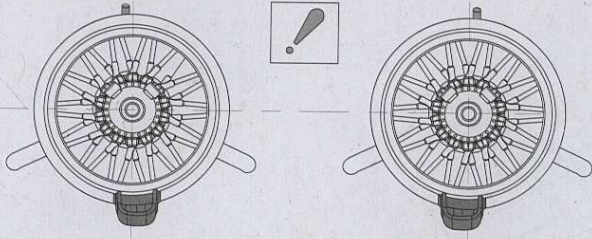


K

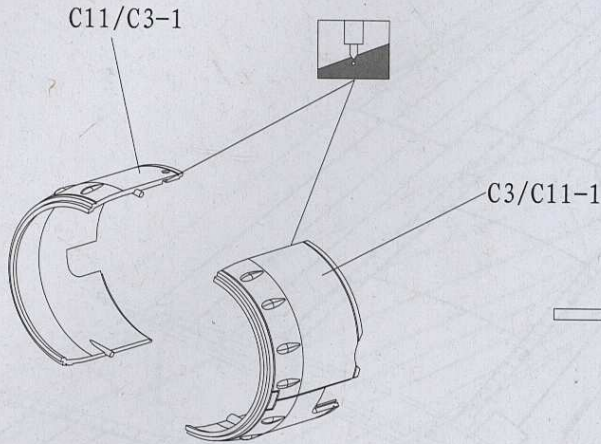


IL-4/IL-4T发动机
IL-4/IL-4T engine

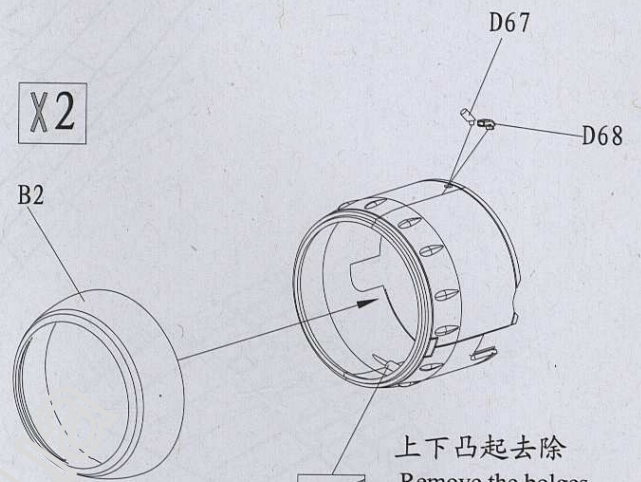
DB-3F发动机
DB-3F engine



X2



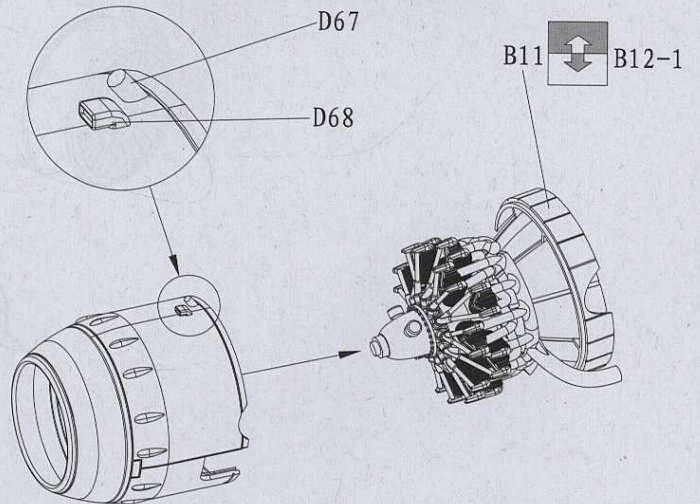
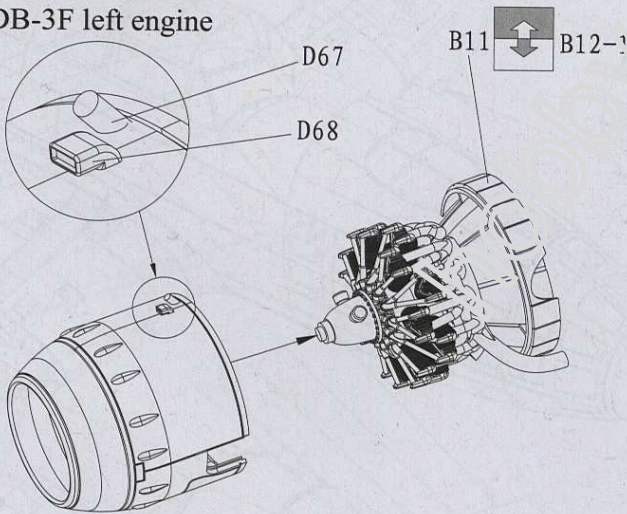
X2



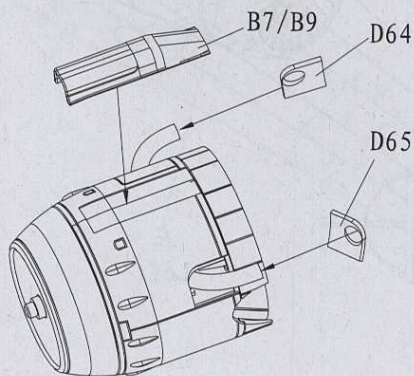
上下凸起去除
Remove the bolges
(Hulges help you to align the parts)

用于DB-3F左发动机
For DB-3F left engine

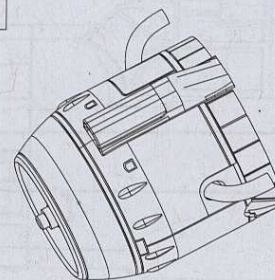
用于DB-3F右发动机
For DB-3F right engine

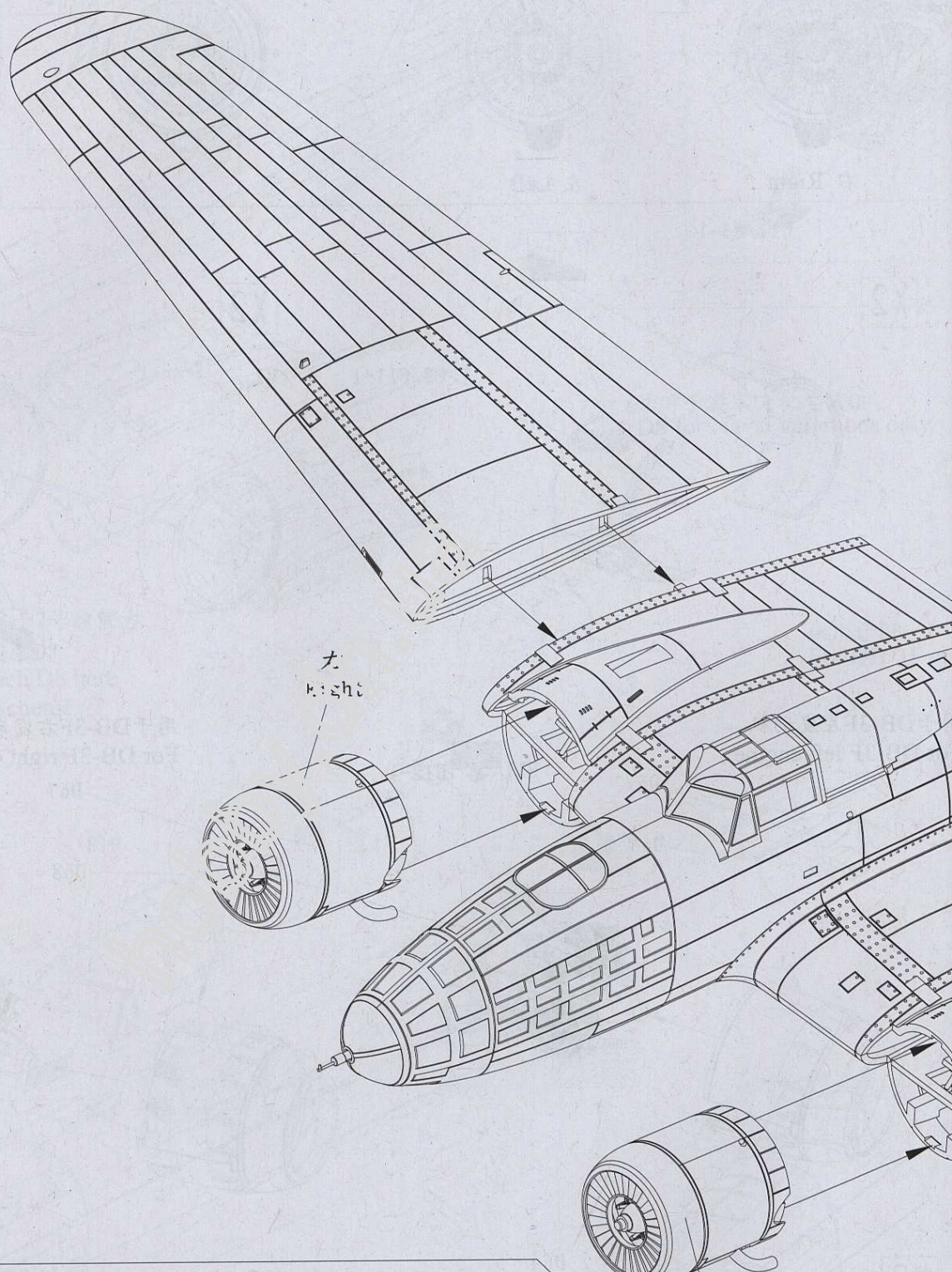


X2



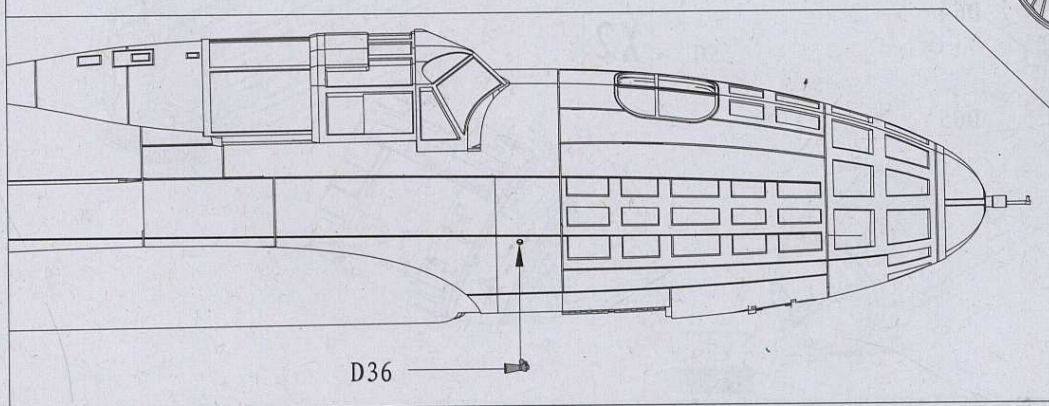
X2



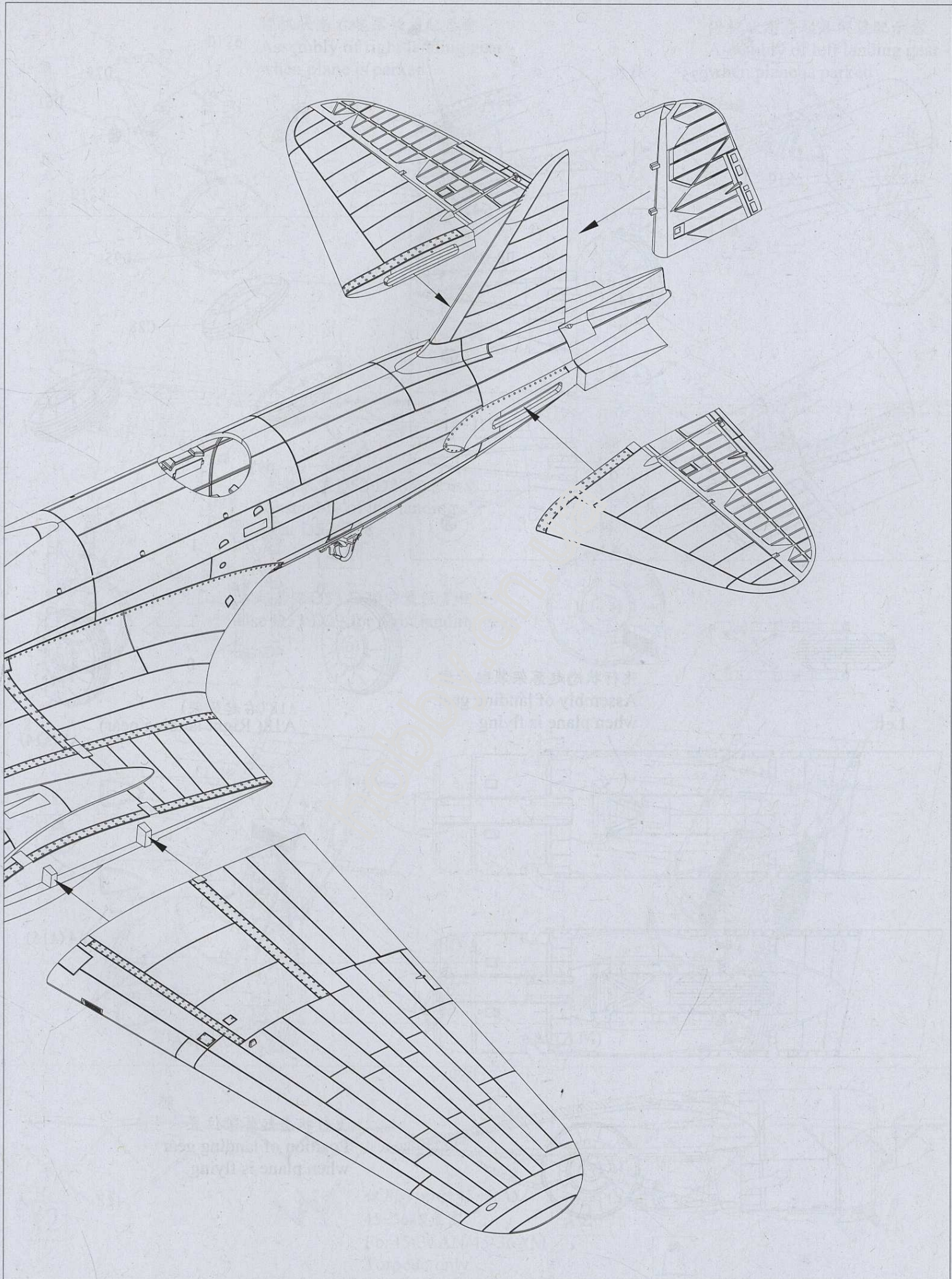


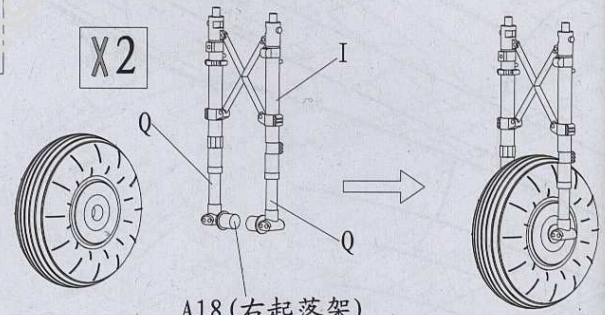
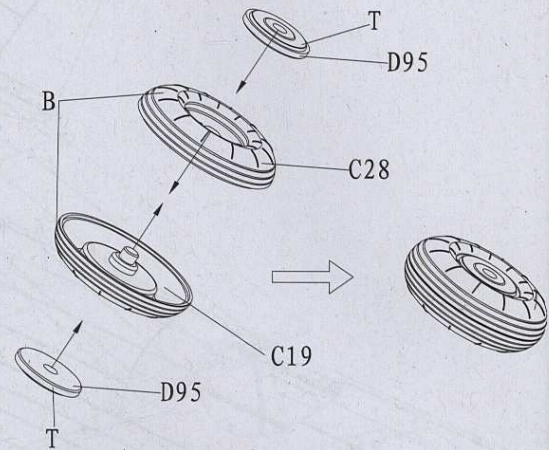
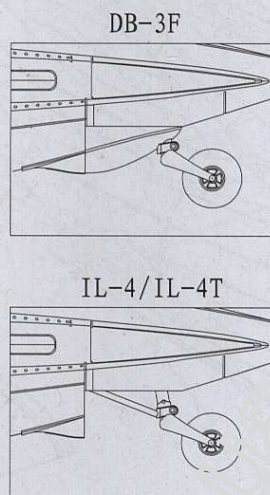
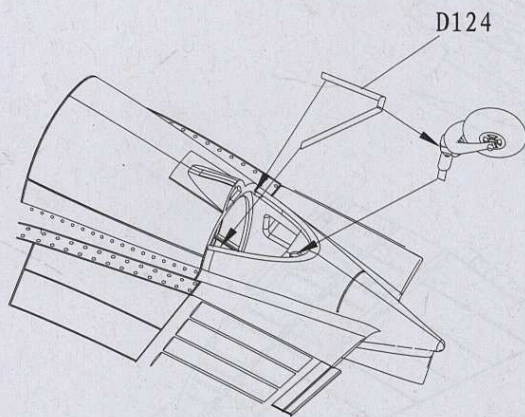
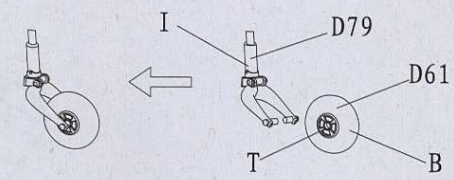
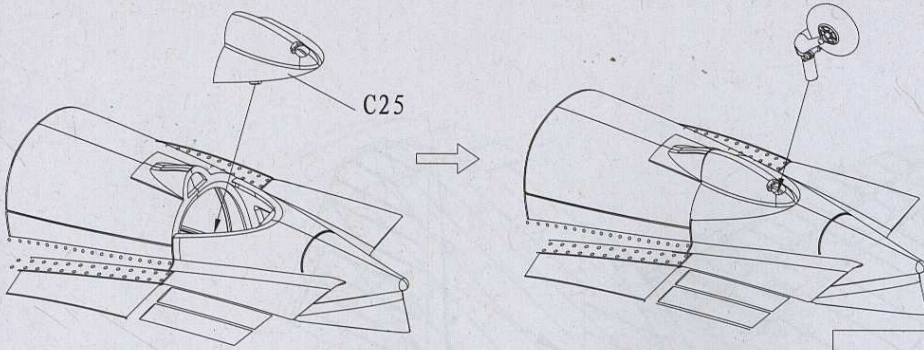
右
Right

左
Left



D36

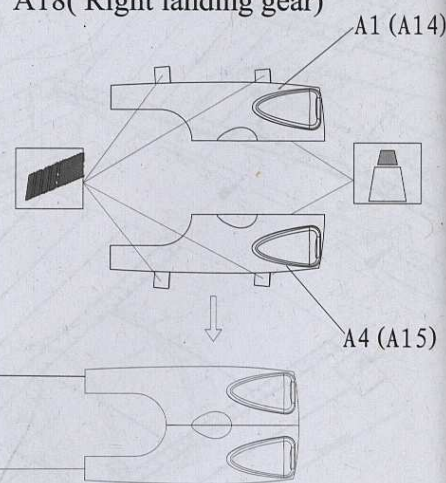
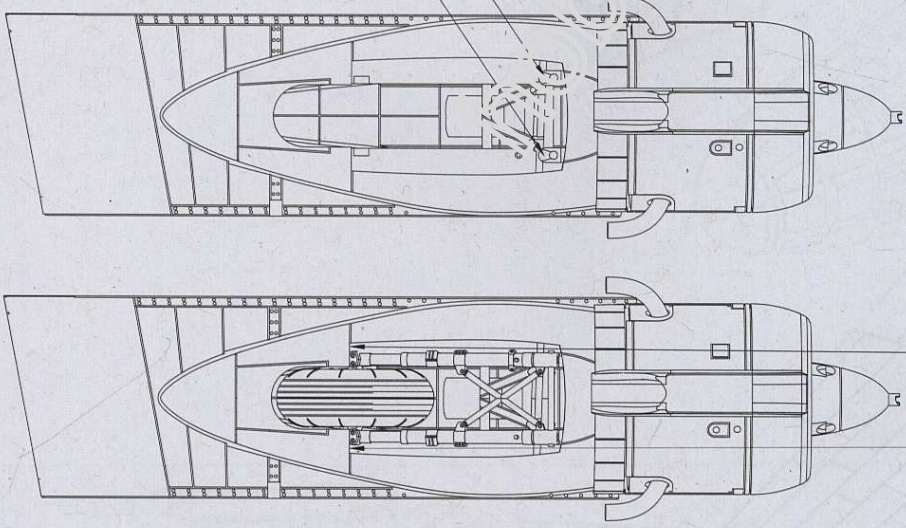




左
Left

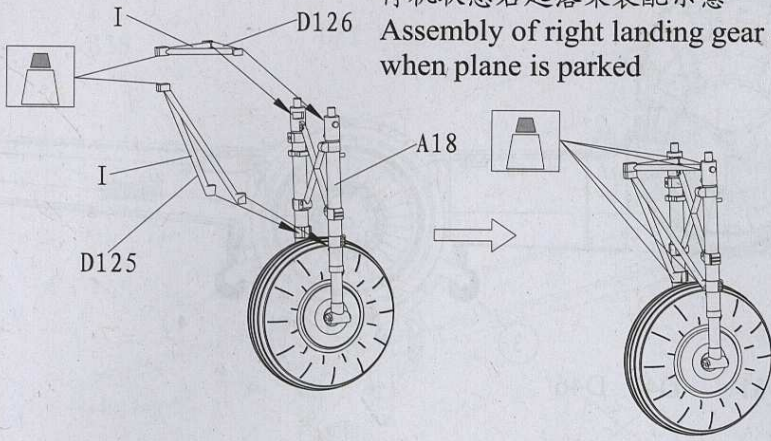
飞行状态起落架装配示意
Assembly of landing gear -
when plane is flying

A18(右起落架)
A18(Right landing gear)

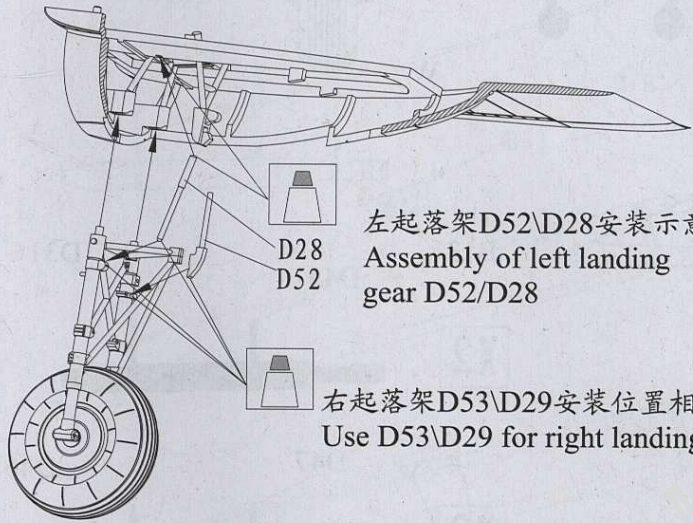
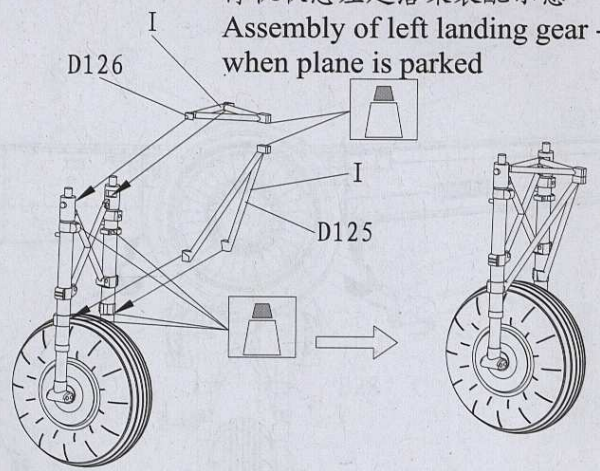


飞行状态起落架位置
Position of landing gear
when plane is flying

停机状态右起落架装配示意
 Assembly of right landing gear -
 when plane is parked

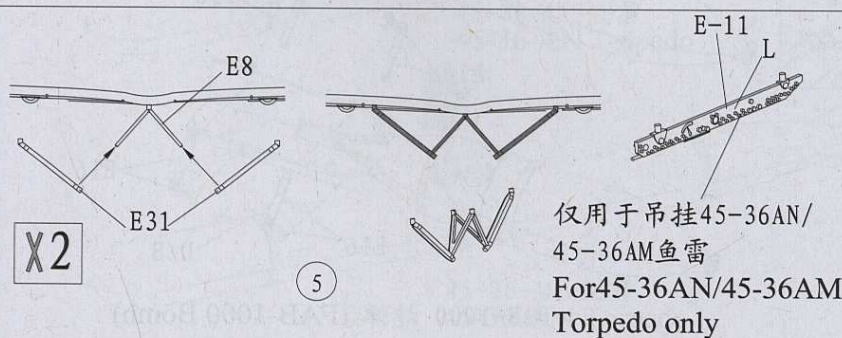
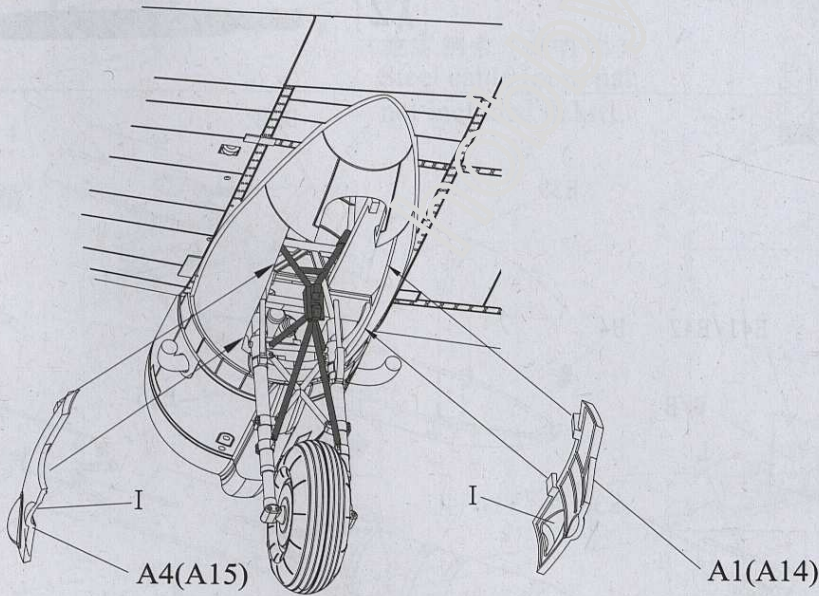
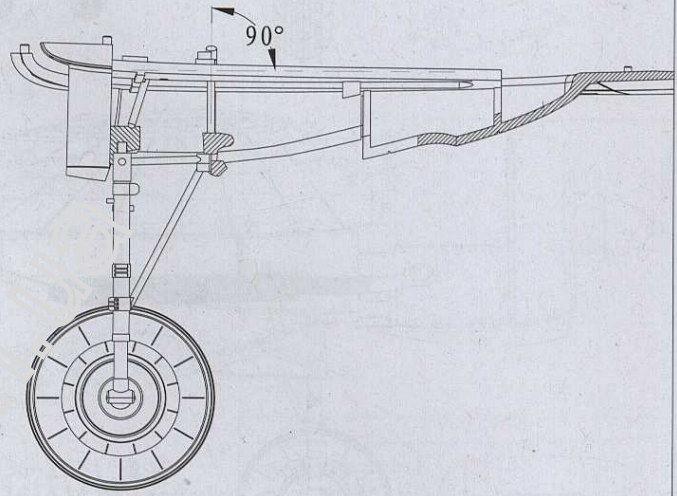


停机状态左起落架装配示意
 Assembly of left landing gear -
 when plane is parked

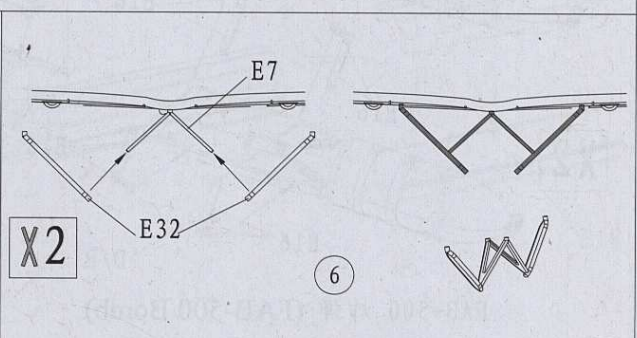


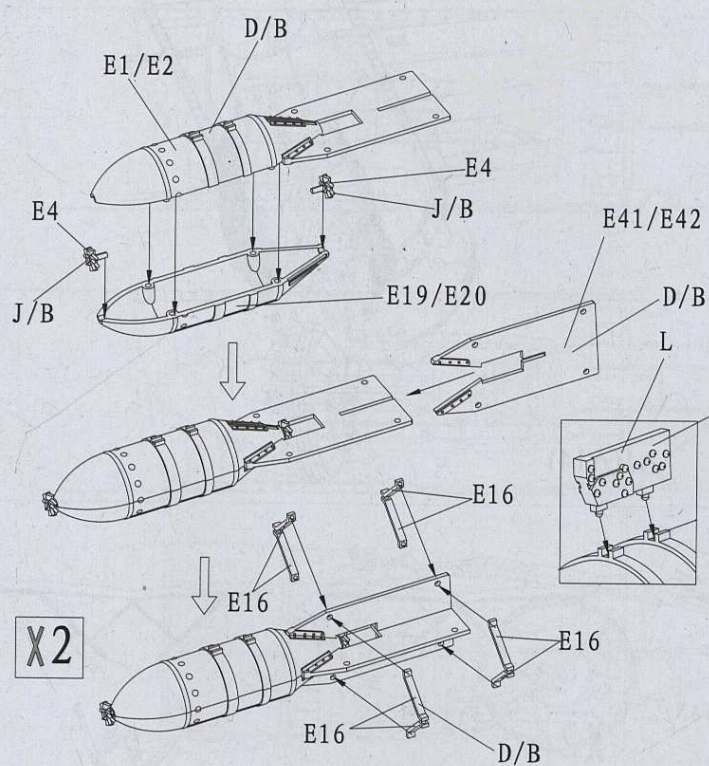
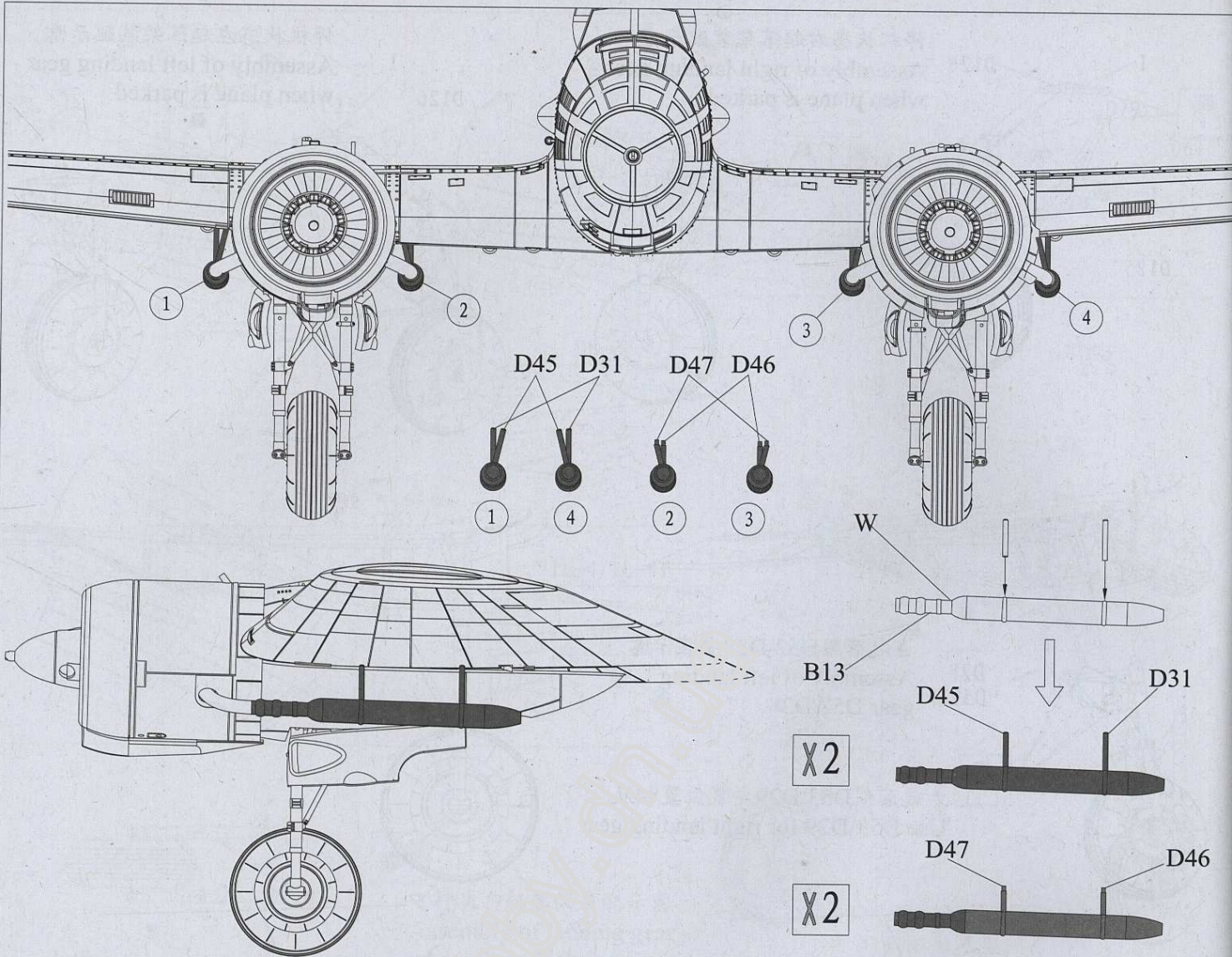
左起落架D52\D28安装示意
 Assembly of left landing
 gear D52/D28

右起落架D53\D29安装位置相反
 Use D53/D29 for right landing gear

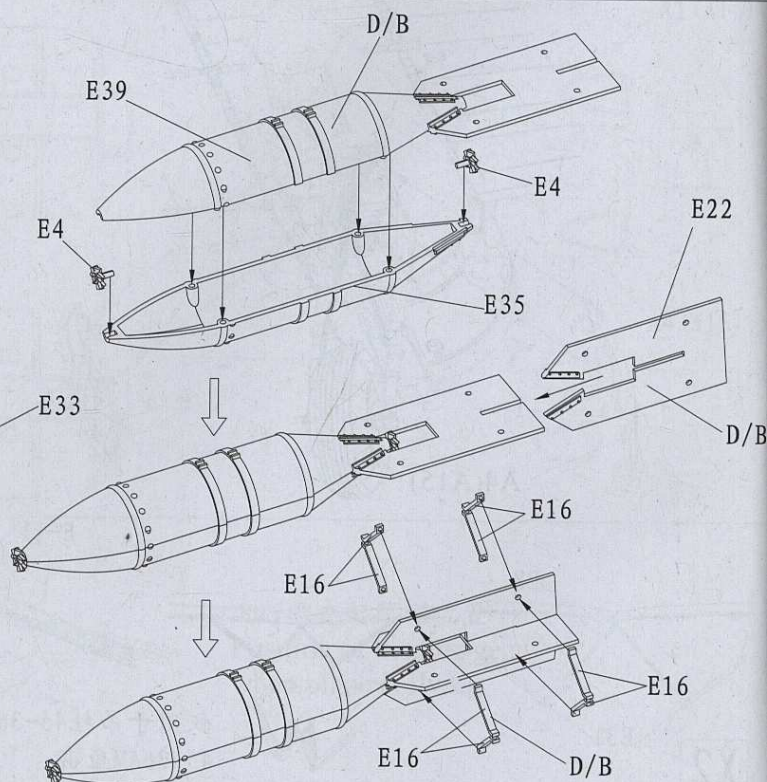


仅用于吊挂45-36AN/
 45-36AM鱼雷
 For 45-36AN/45-36AM
 Torpedo only

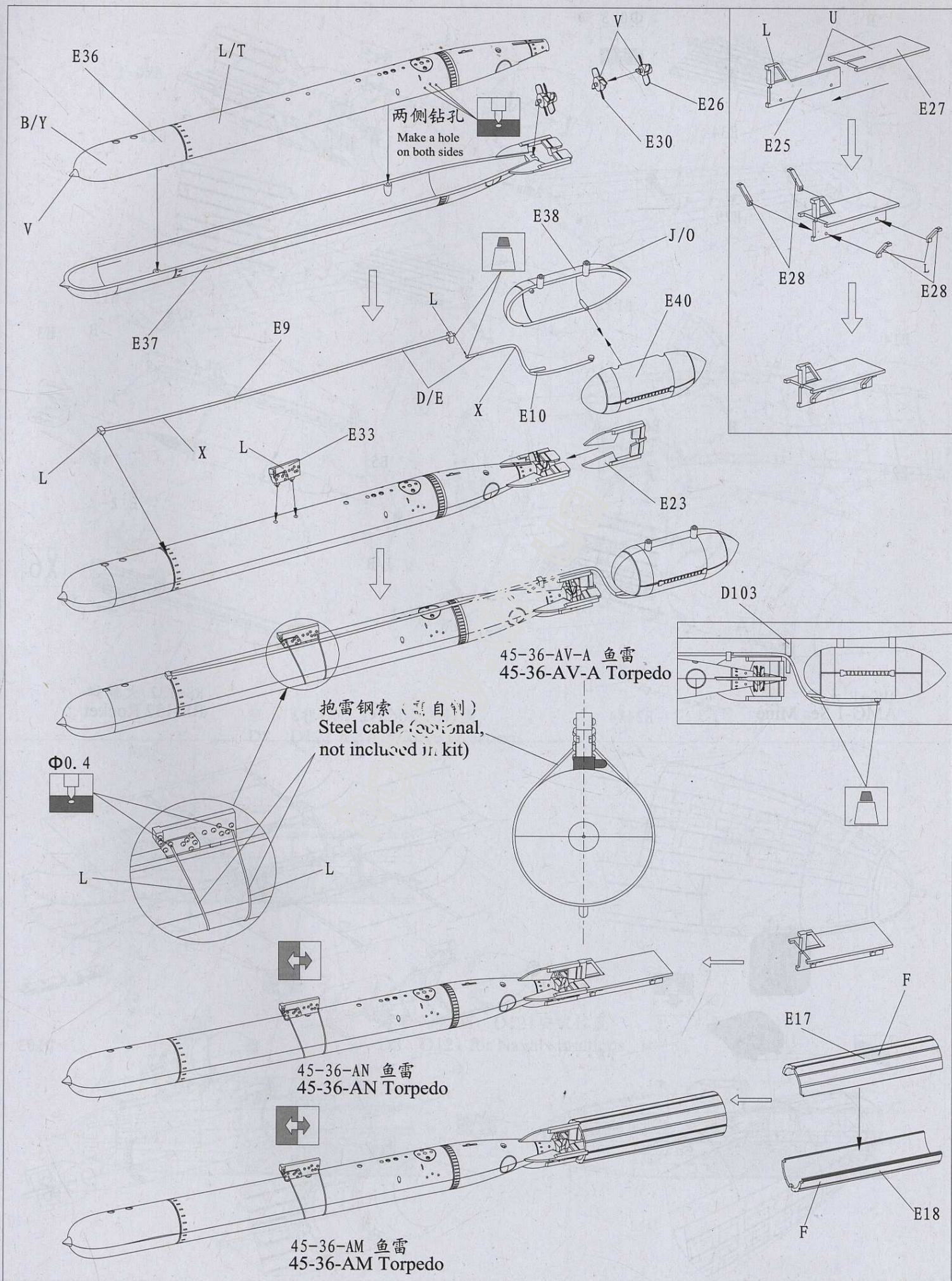


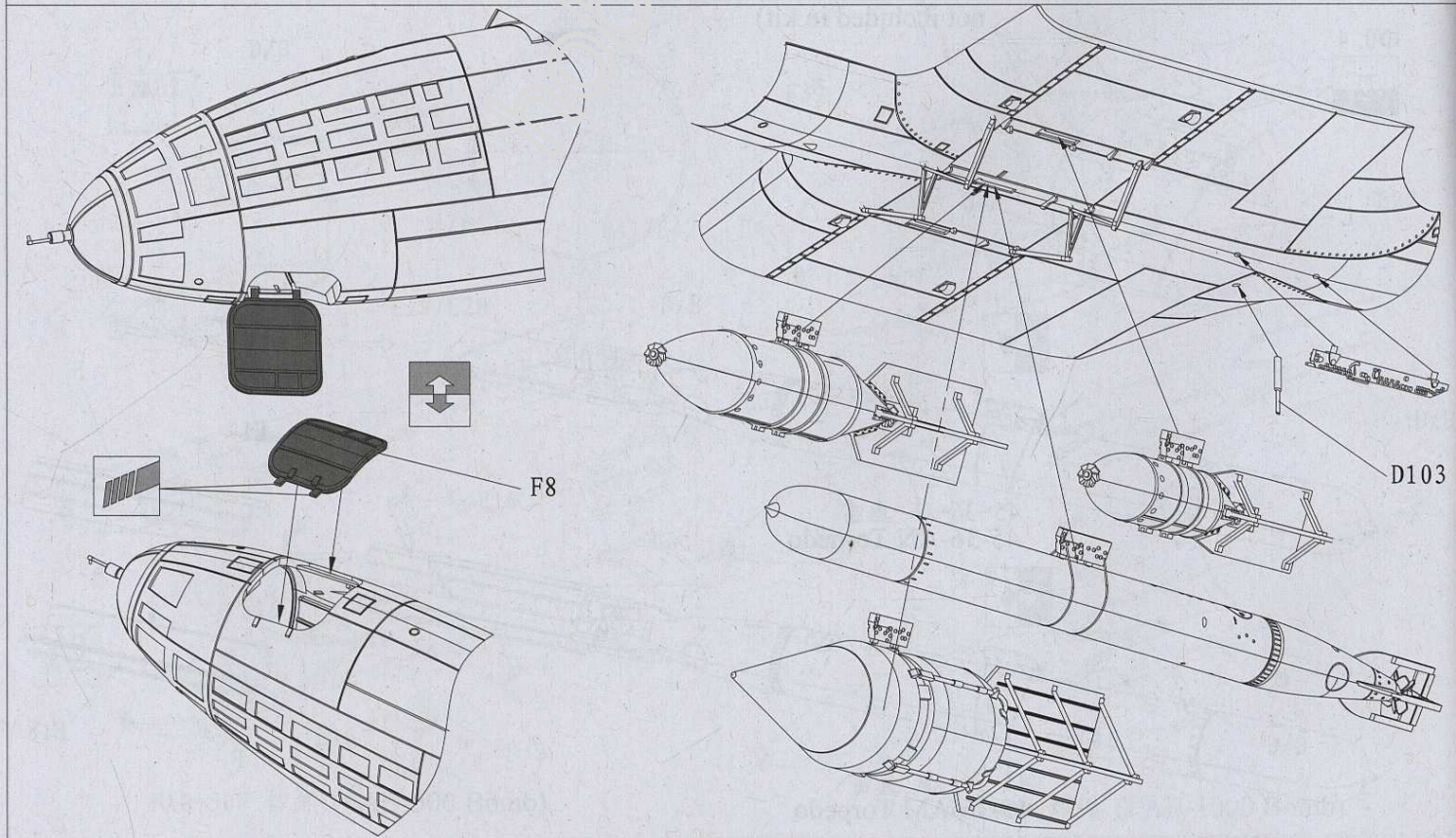
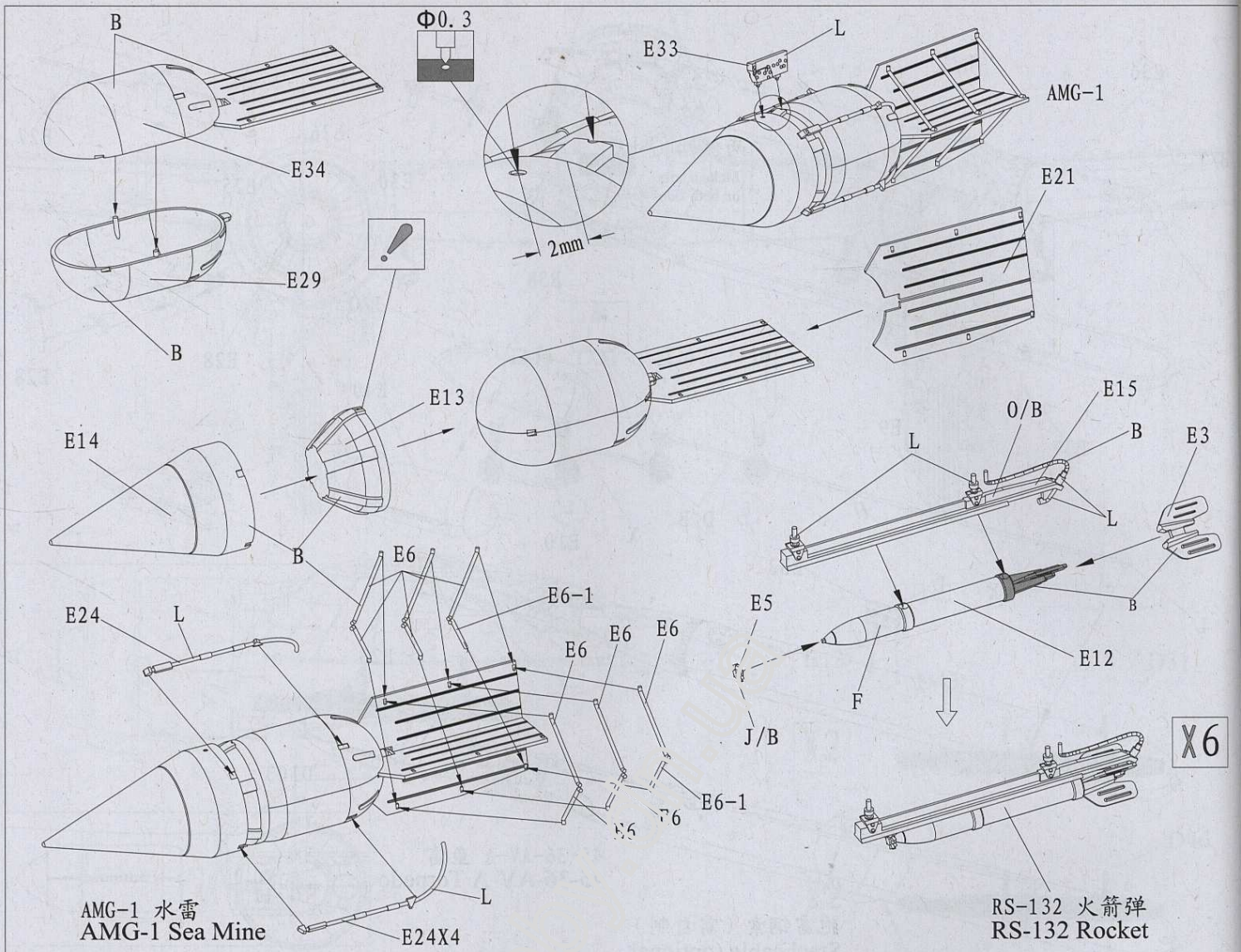


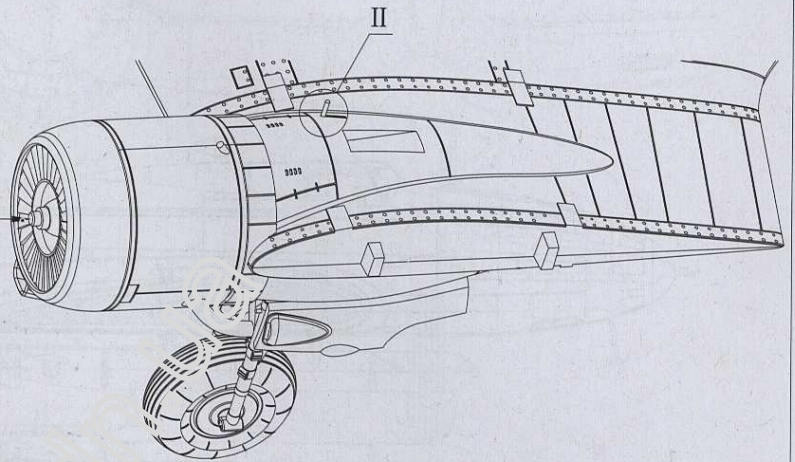
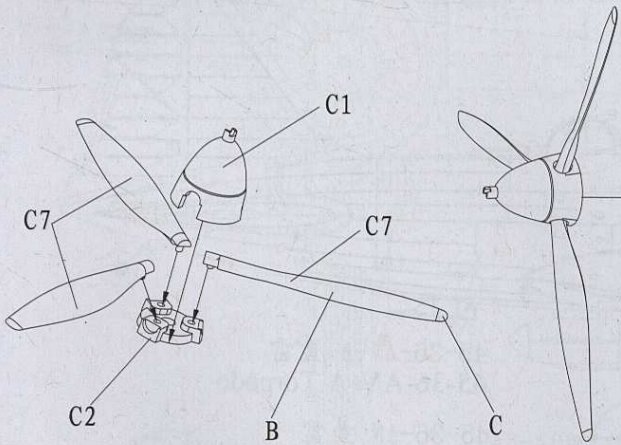
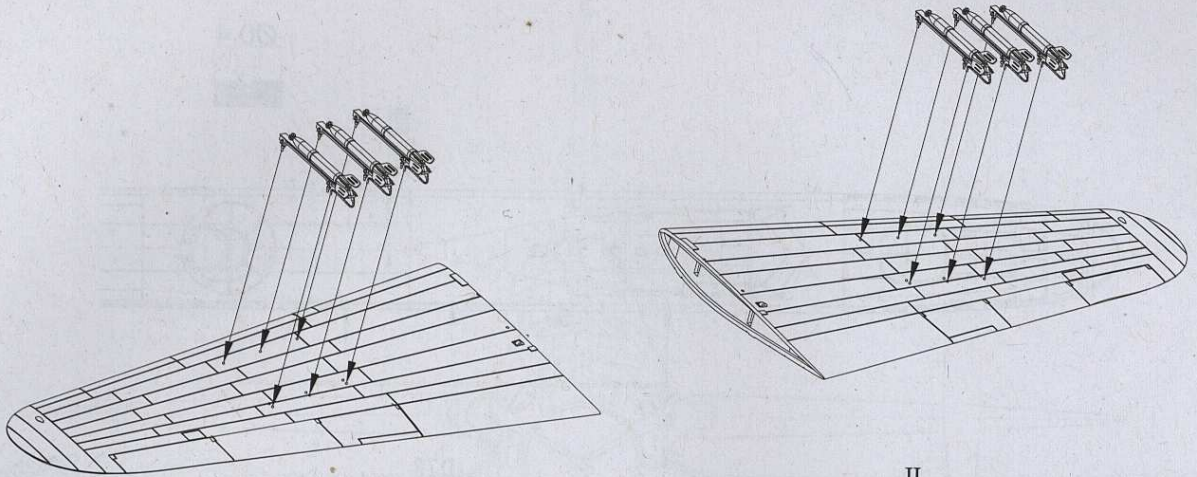
FAB-500 炸弹 (FAB-500 Bomb)



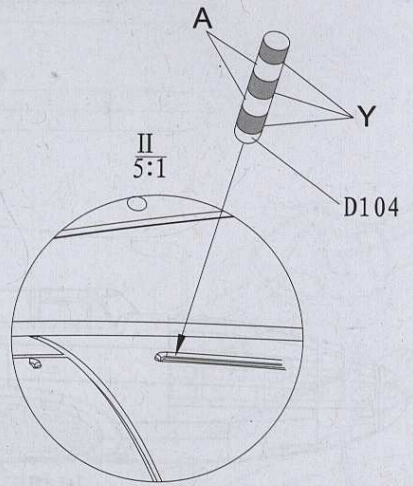
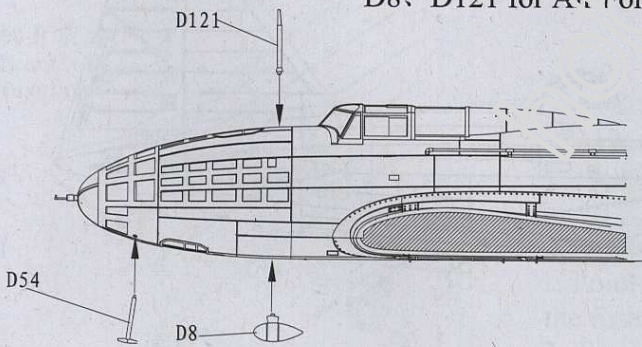
FAB-1000 炸弹 (FAB-1000 Bomb)



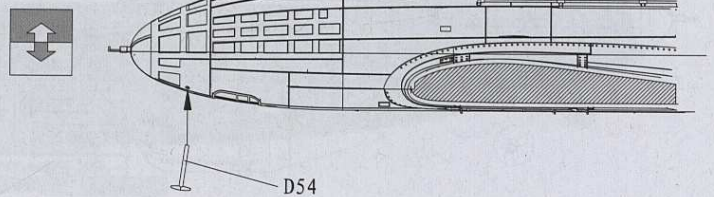
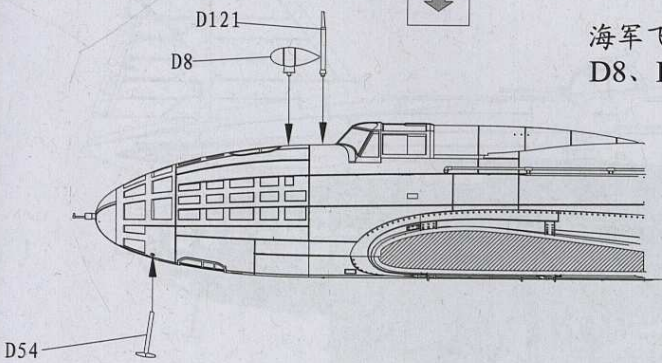


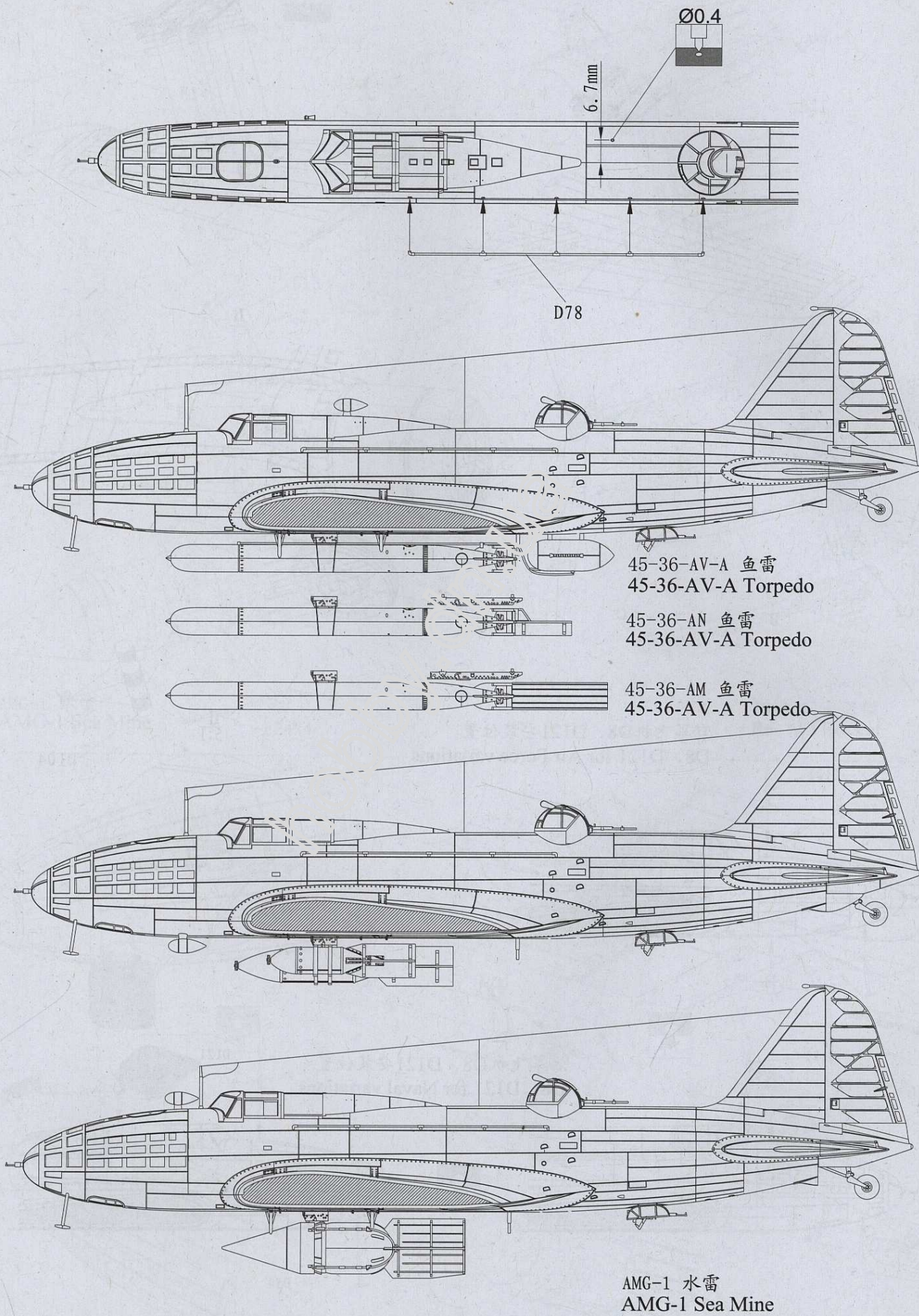


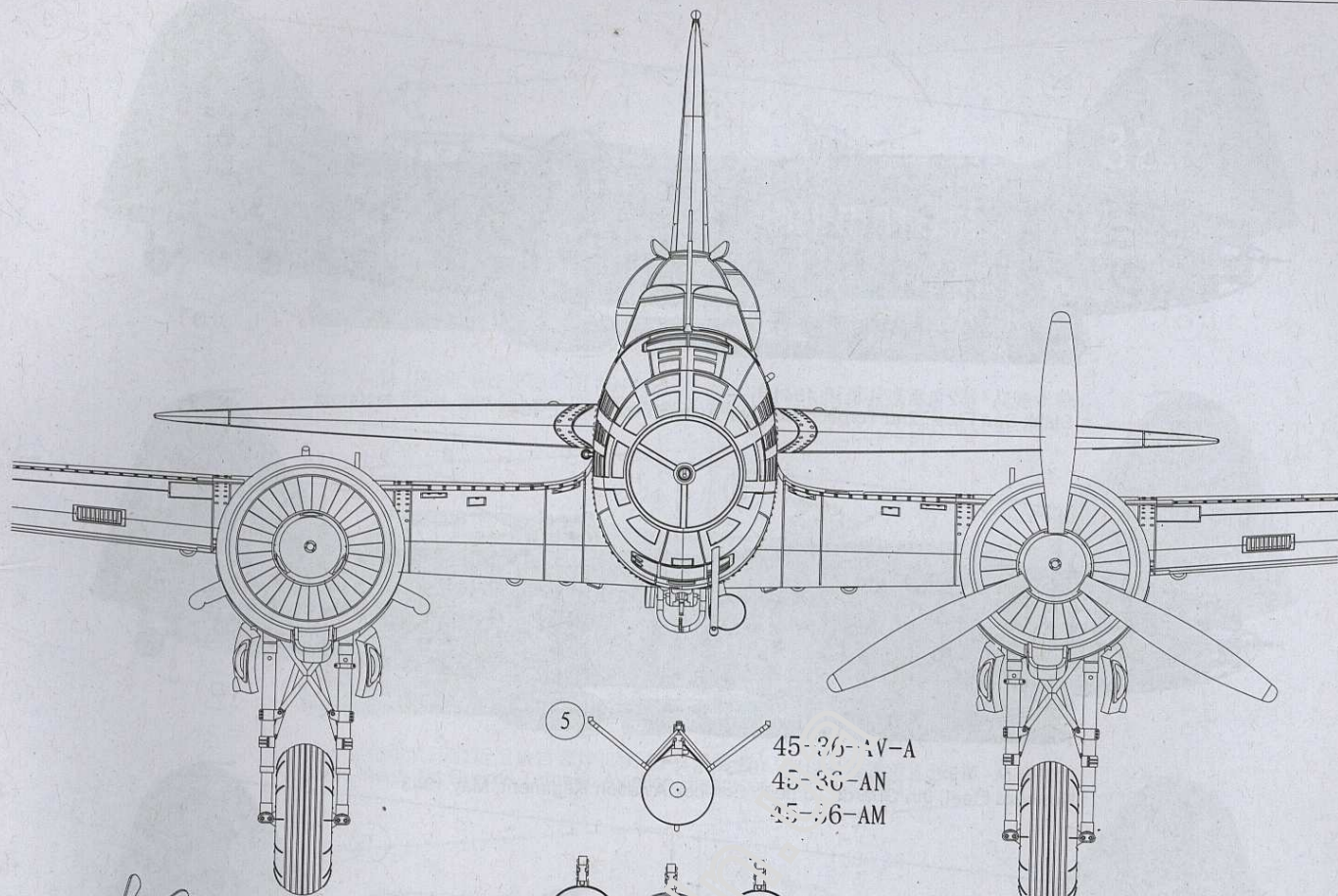
空军飞机D8、D121安装位置
D8、D121 for Air Force variations



海军飞机D8、D121安装位置
D8、D121 for Naval variations







5
45-36-1V-A
45-30-AN
45-36-AM

FAB-500 FAB-500 FAB-500
FAB-1000

6
AMG-1

机身前方
Front of
fuselage

180°

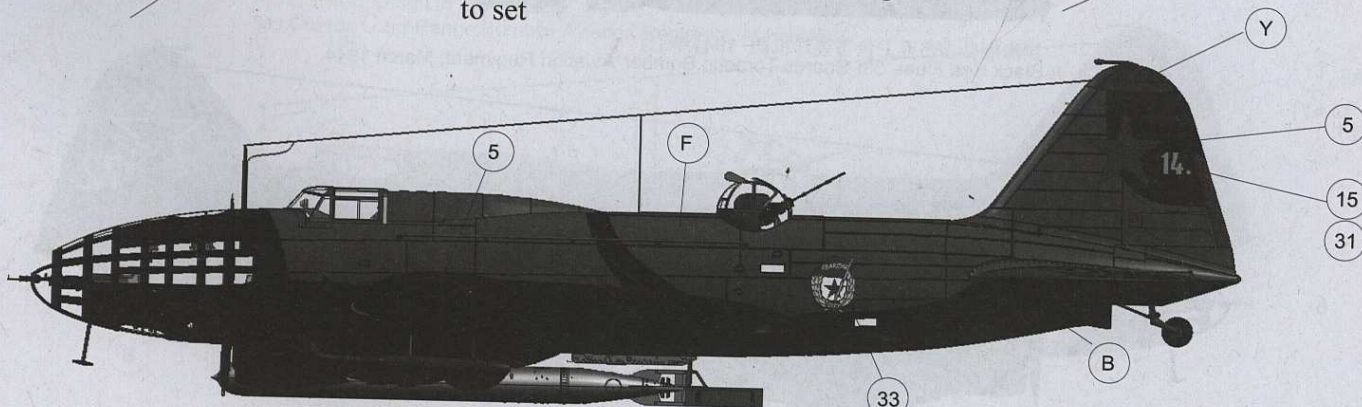
MV-3机枪塔安装顺序:

- 1、机枪指向正前方。
- 2、放入之后旋转大于45度，即可。

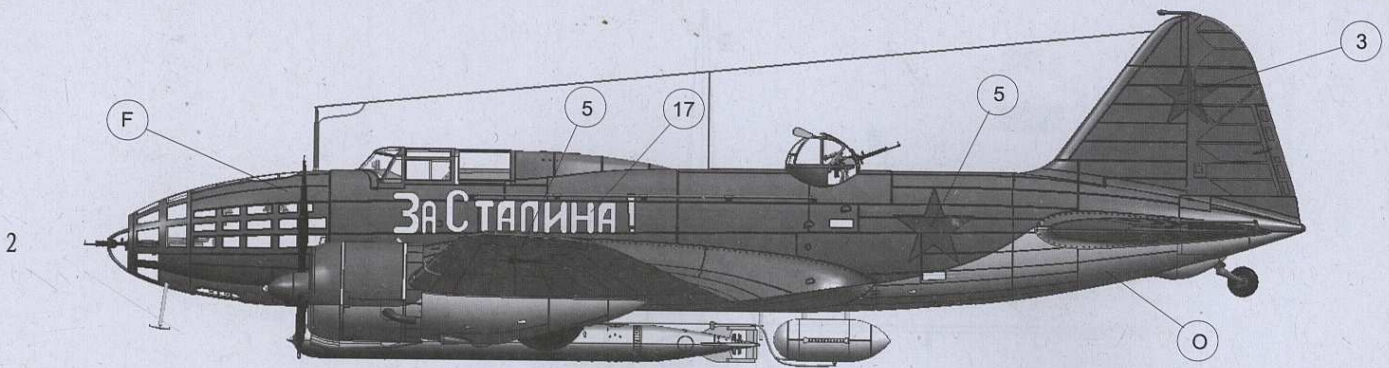
Assembly of MV-3 turret:

1. Point the machine gun to the front of the fuselage
2. Turn the turret more than 45 degrees to set

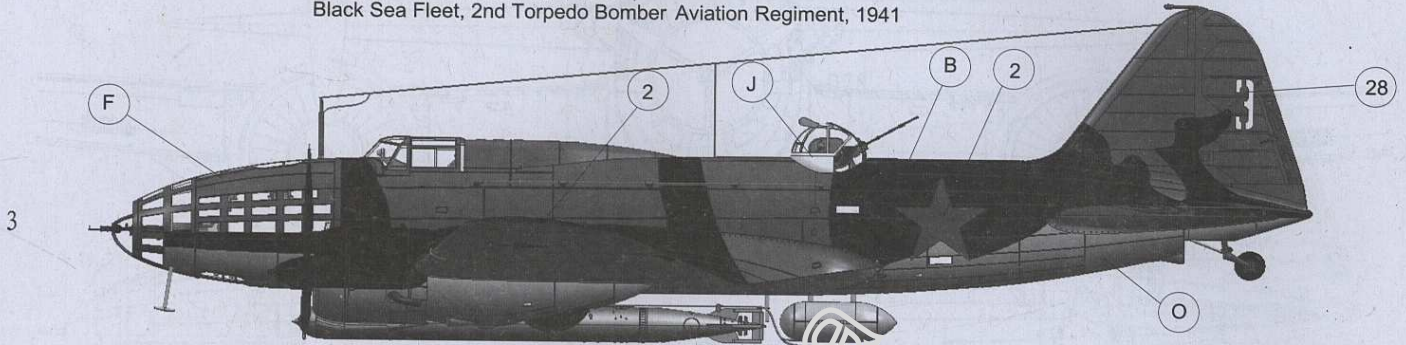
1



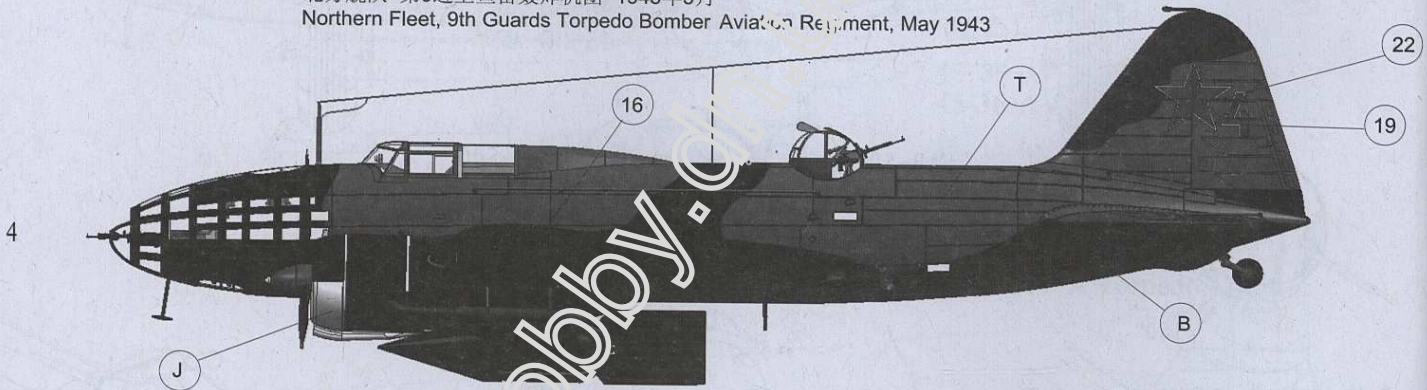
波罗的海舰队 第1近卫鱼雷轰炸机团 1944年夏-秋
Baltic Fleet, 1st Guards Maritime Torpedo Aviation Regiment, Summer-Fall 1944



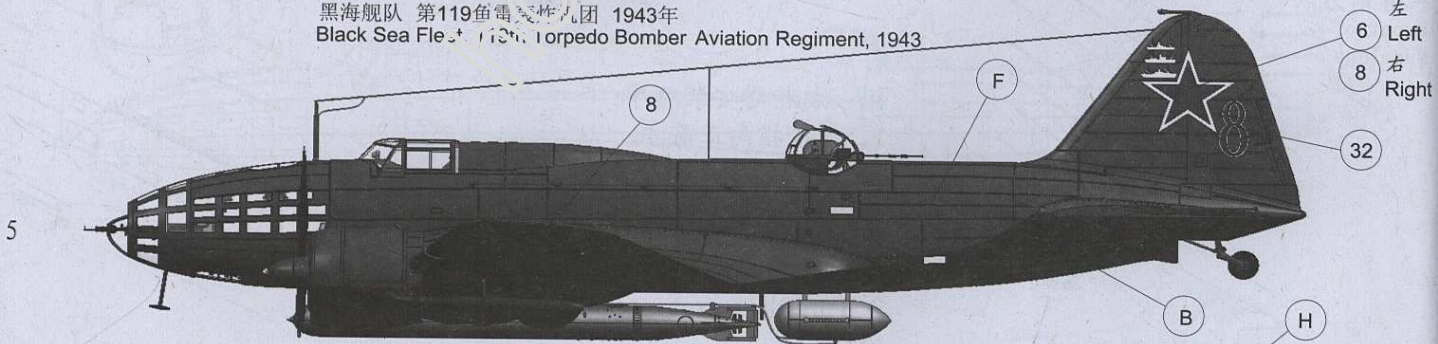
黑海舰队 第2鱼雷轰炸机团 1941年
Black Sea Fleet, 2nd Torpedo Bomber Aviation Regiment, 1941



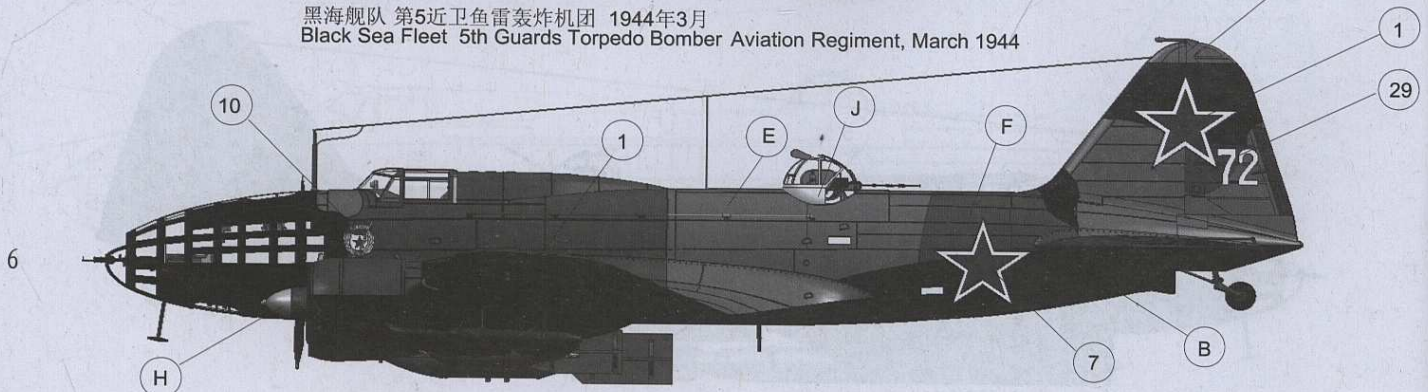
北方舰队 第9近卫鱼雷轰炸机团 1943年5月
Northern Fleet, 9th Guards Torpedo Bomber Aviation Regiment, May 1943



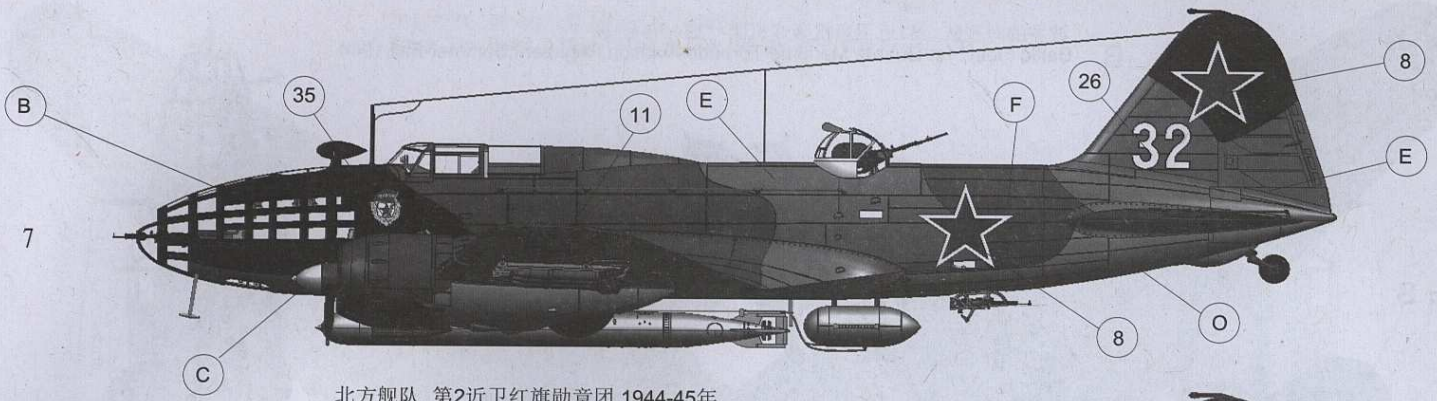
黑海舰队 第119鱼雷轰炸机团 1943年
Black Sea Fleet, 119th Torpedo Bomber Aviation Regiment, 1943



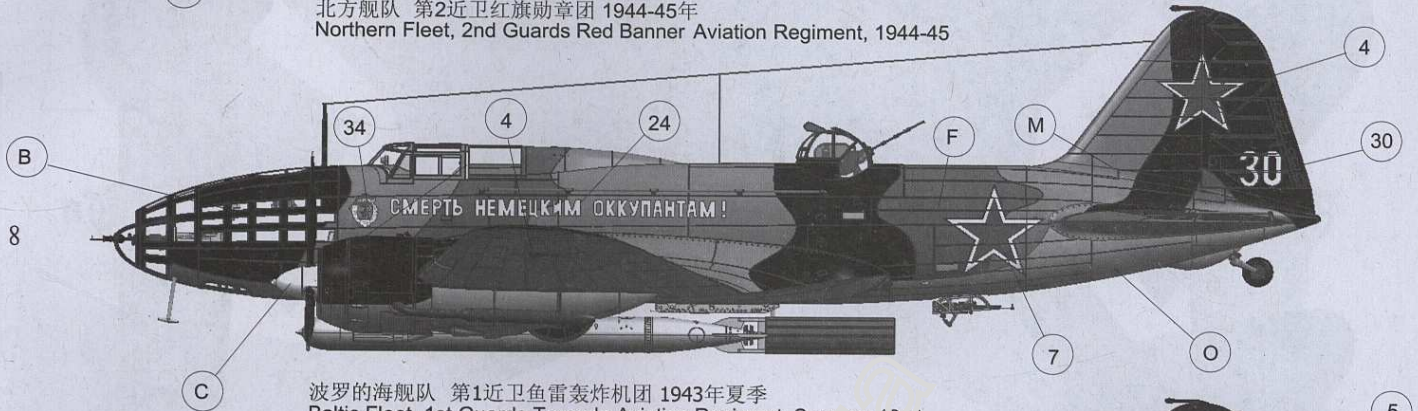
黑海舰队 第5近卫鱼雷轰炸机团 1944年3月
Black Sea Fleet 5th Guards Torpedo Bomber Aviation Regiment, March 1944



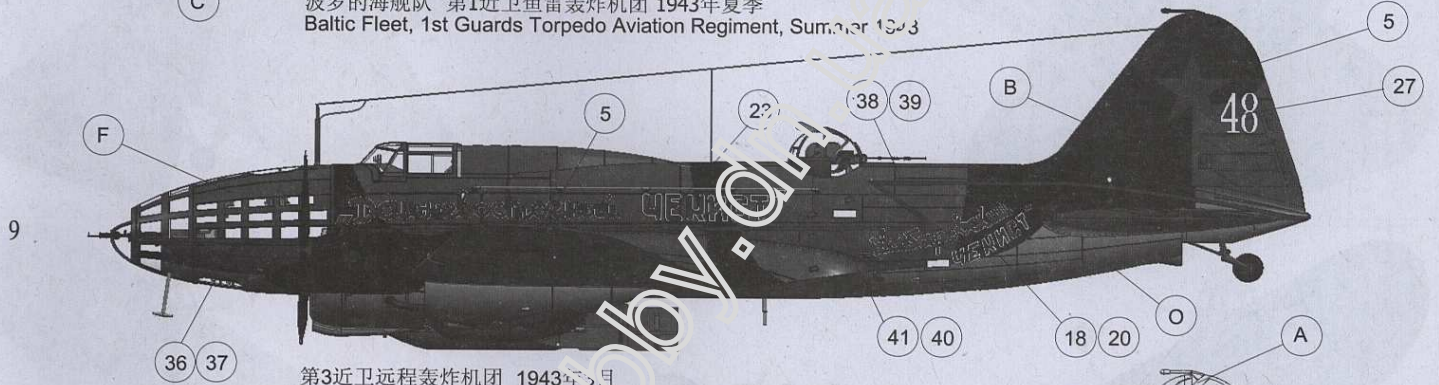
第18近卫远程轰炸机团 1944年 波兰
18th Guards Long-Range Bomber Aviation Regiment, Poland, 1944



北方舰队 第2近卫红旗勋章团 1944-45年
Northern Fleet, 2nd Guards Red Banner Aviation Regiment, 1944-45



波罗的海舰队 第1近卫鱼雷轰炸机团 1943年夏季
Baltic Fleet, 1st Guards Torpedo Aviation Regiment, Summer 1943

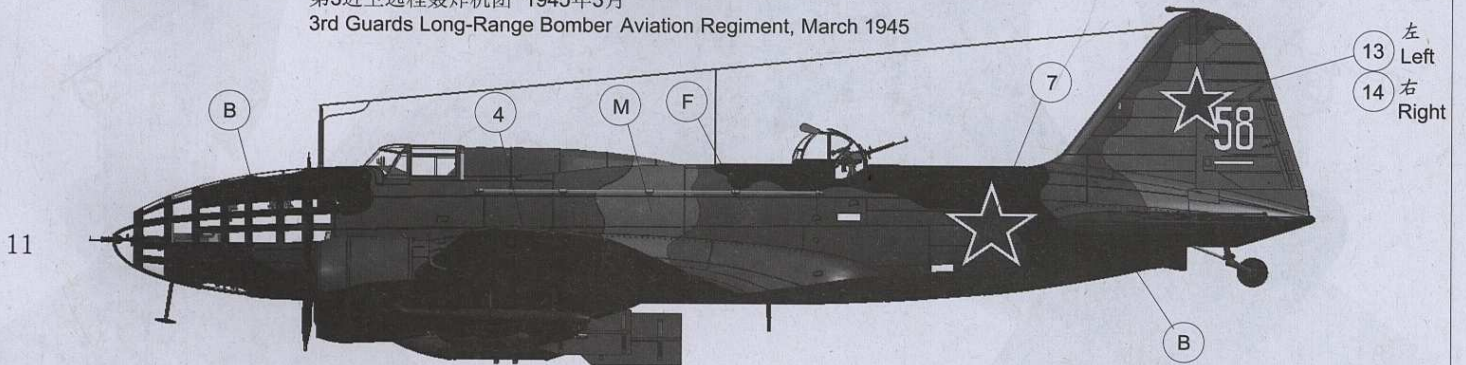


第3近卫远程轰炸机团 1943年3月
3rd Guards Long-Range Bomber Aviation Regiment, March 1943



第3近卫远程轰炸机团 1945年3月
3rd Guards Long-Range Bomber Aviation Regiment, March 1945

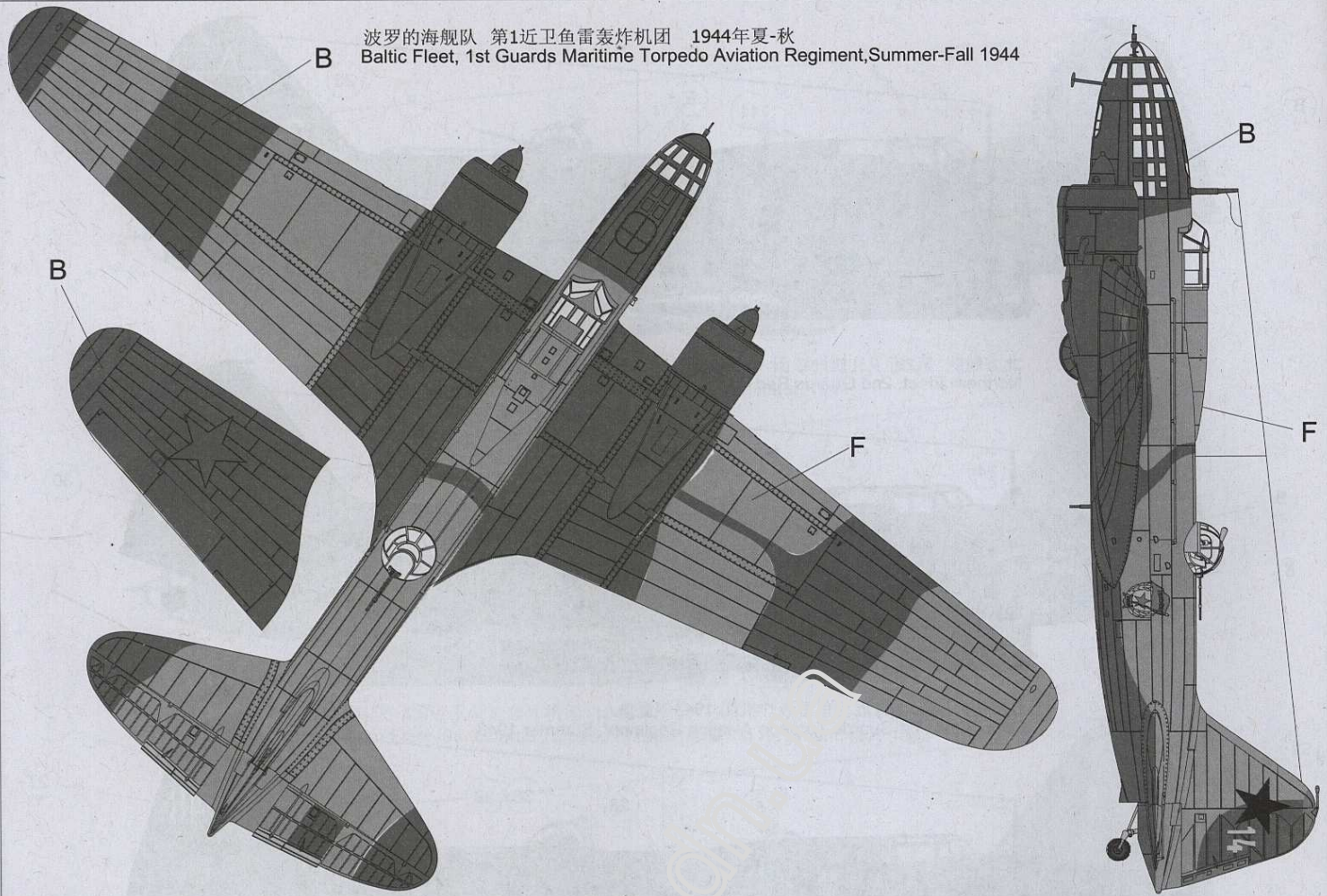
左
21
右
21



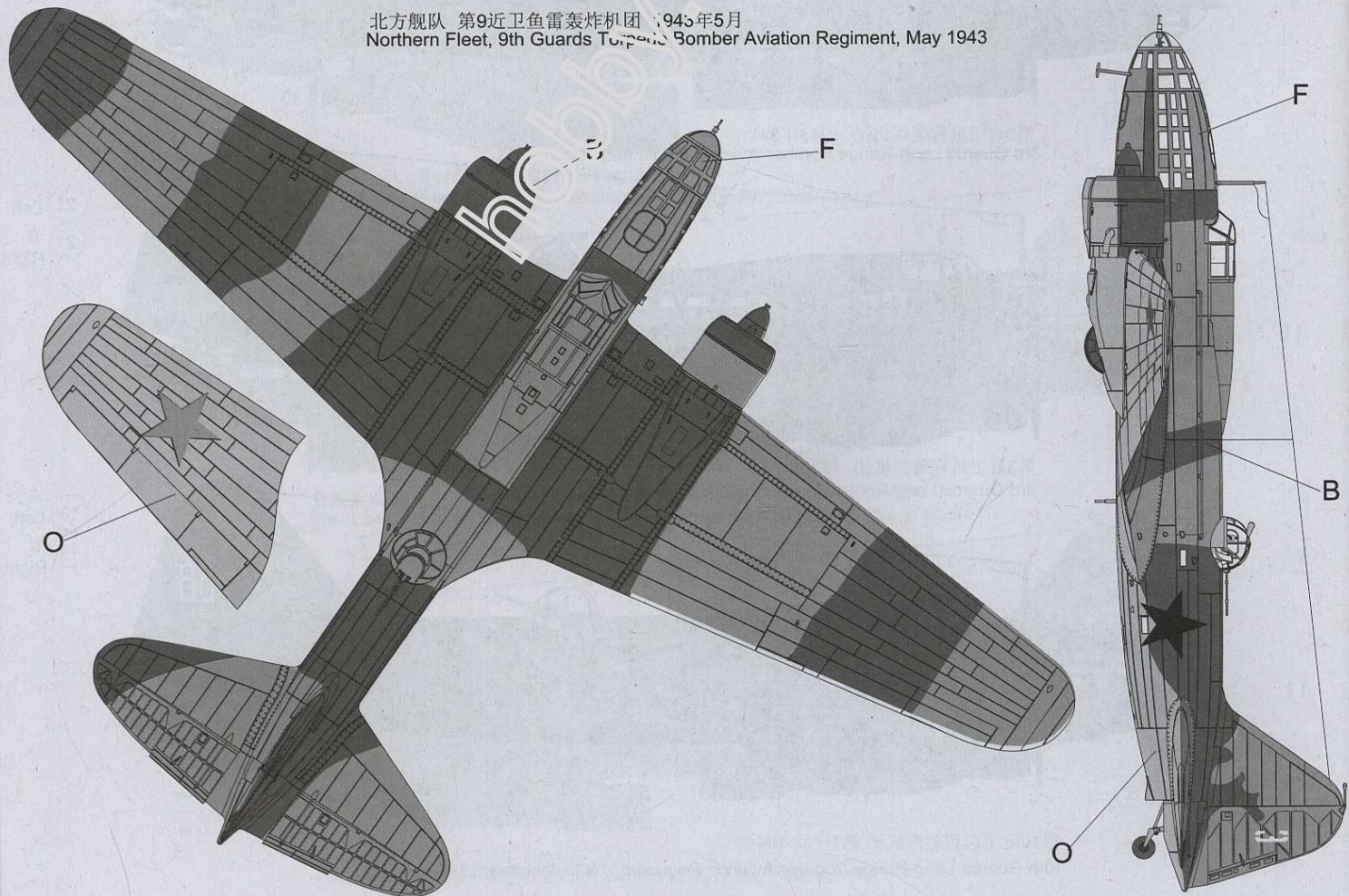
第10近卫远程轰炸机团 第1中队 1941年
10th Guards Long-Range Bomber Aviation Regiment, 1st Detachment, 1941

左
13
右
14

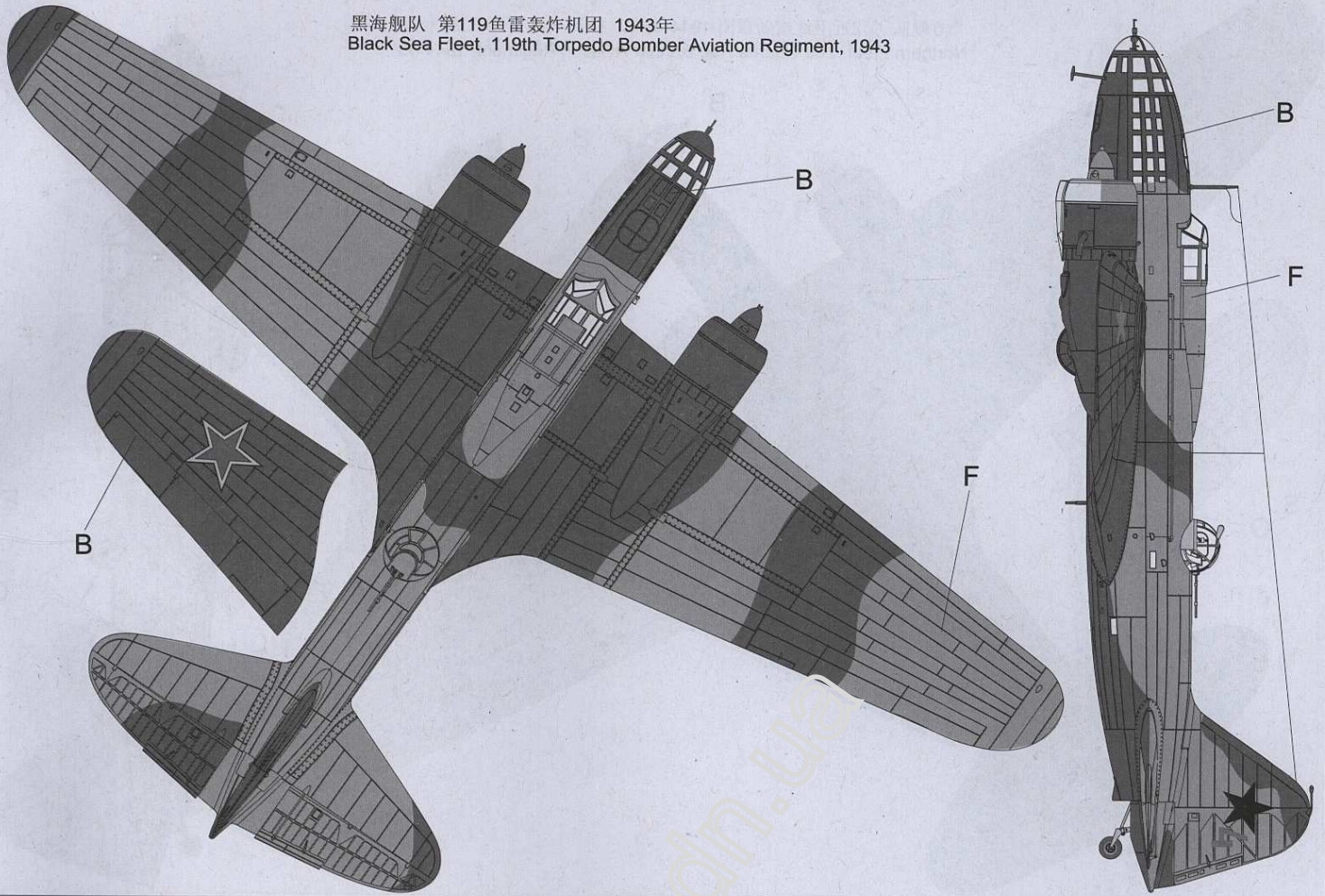
波罗的海舰队 第1近卫鱼雷轰炸机团 1944年夏-秋
 Baltic Fleet, 1st Guards Maritime Torpedo Aviation Regiment, Summer-Fall 1944



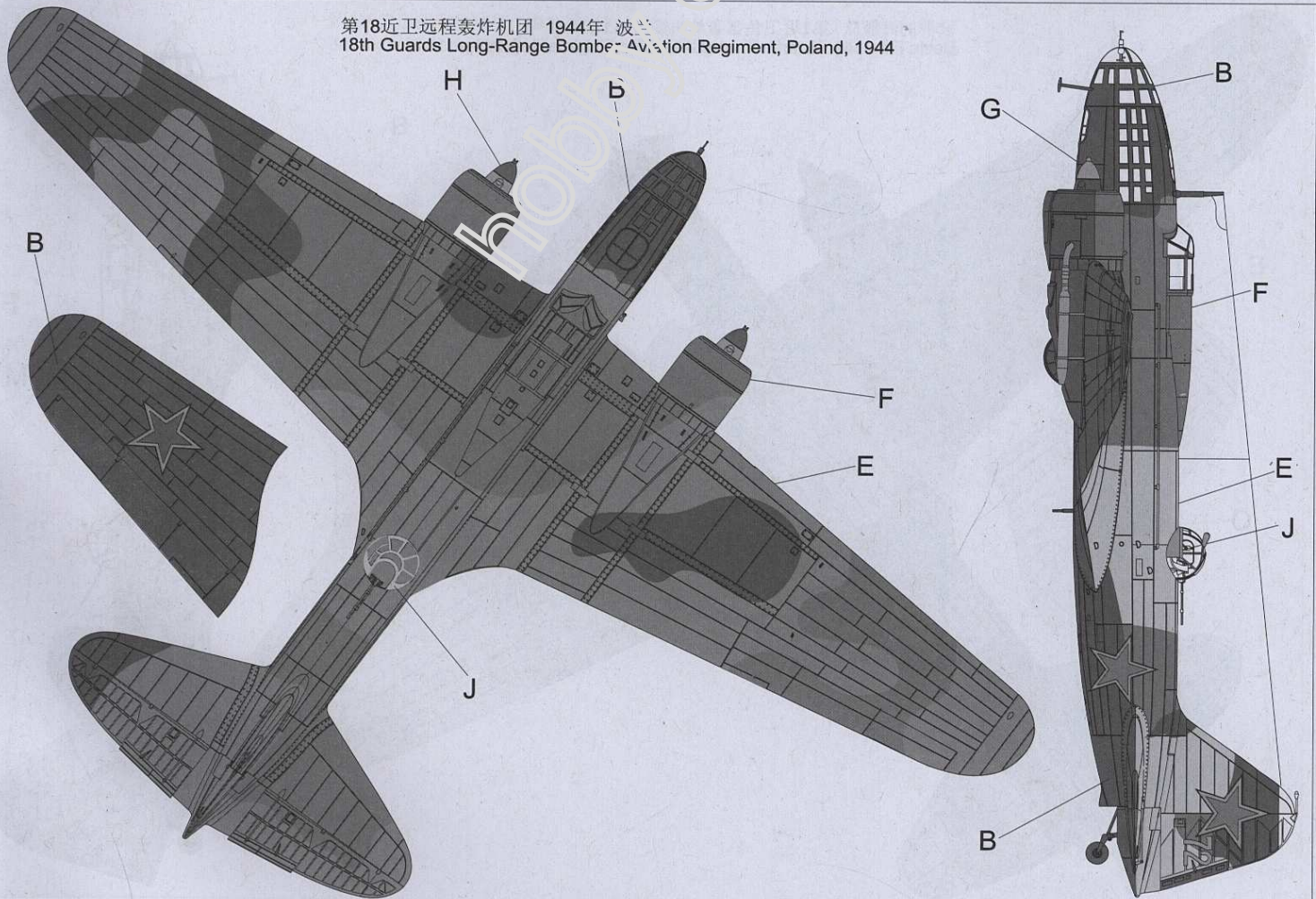
北方舰队 第9近卫鱼雷轰炸机团 1943年5月
 Northern Fleet, 9th Guards Torpedo Bomber Aviation Regiment, May 1943



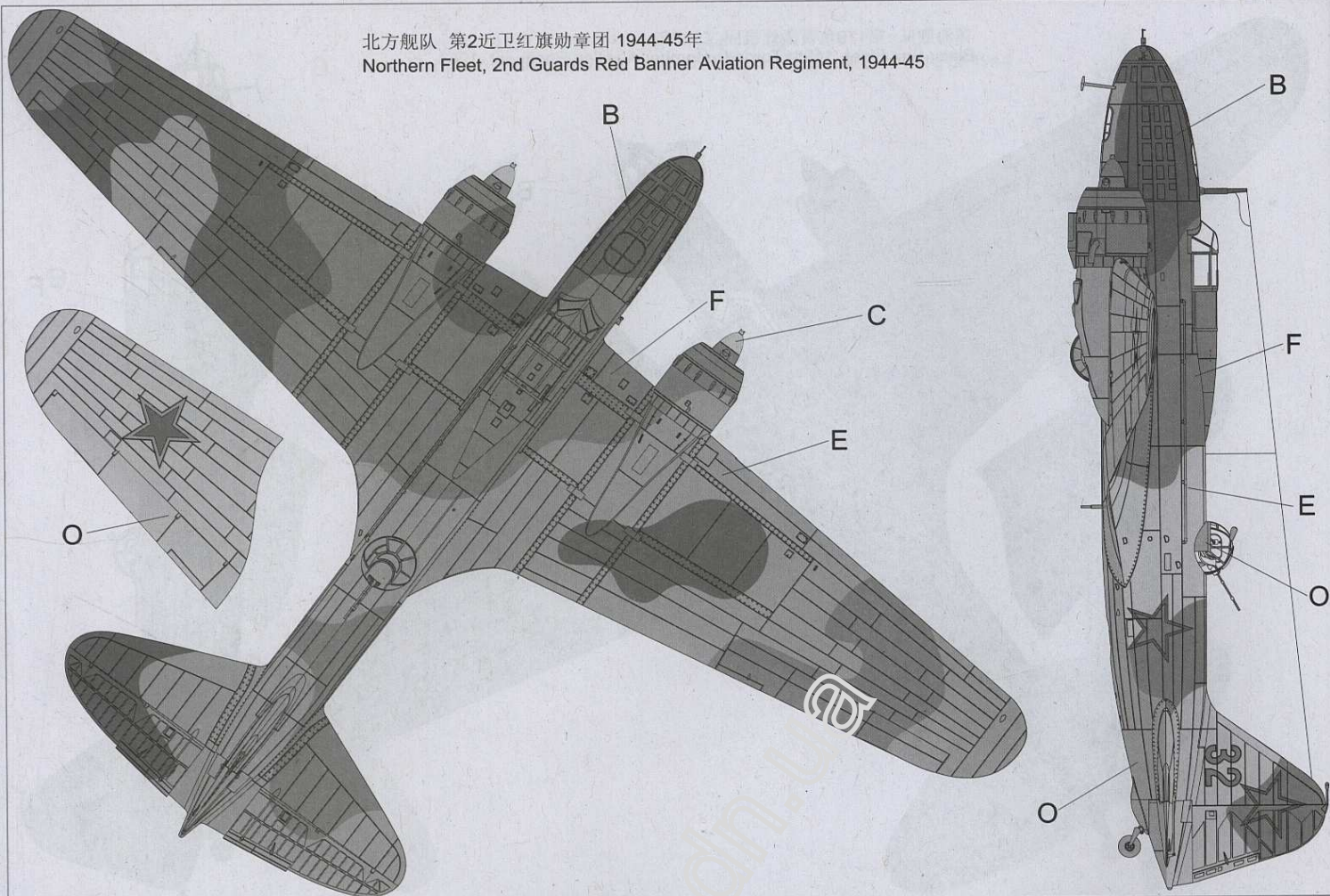
黑海舰队 第119鱼雷轰炸机团 1943年
 Black Sea Fleet, 119th Torpedo Bomber Aviation Regiment, 1943



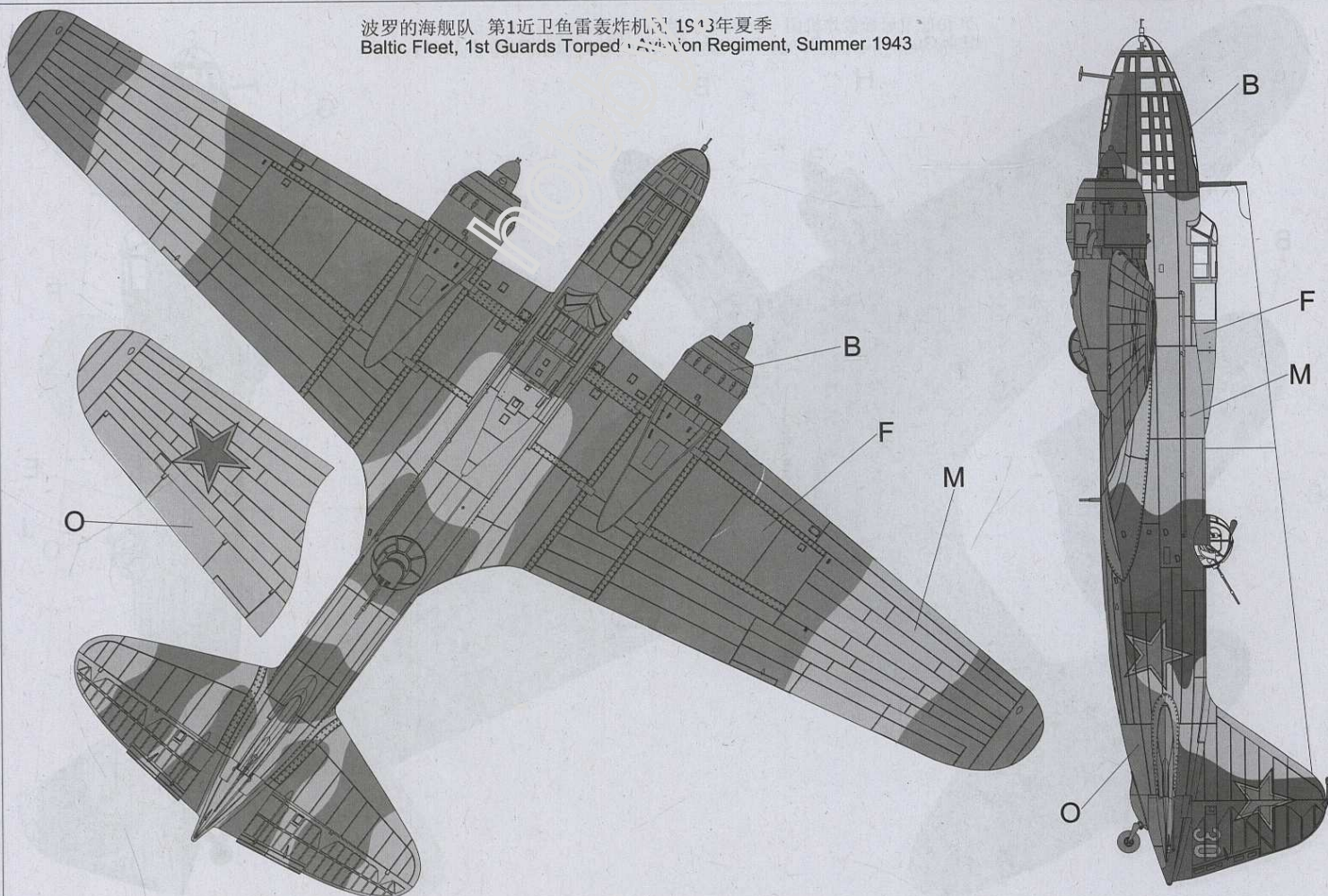
第18近卫远程轰炸机团 1944年 波兰
 18th Guards Long-Range Bomber Aviation Regiment, Poland, 1944



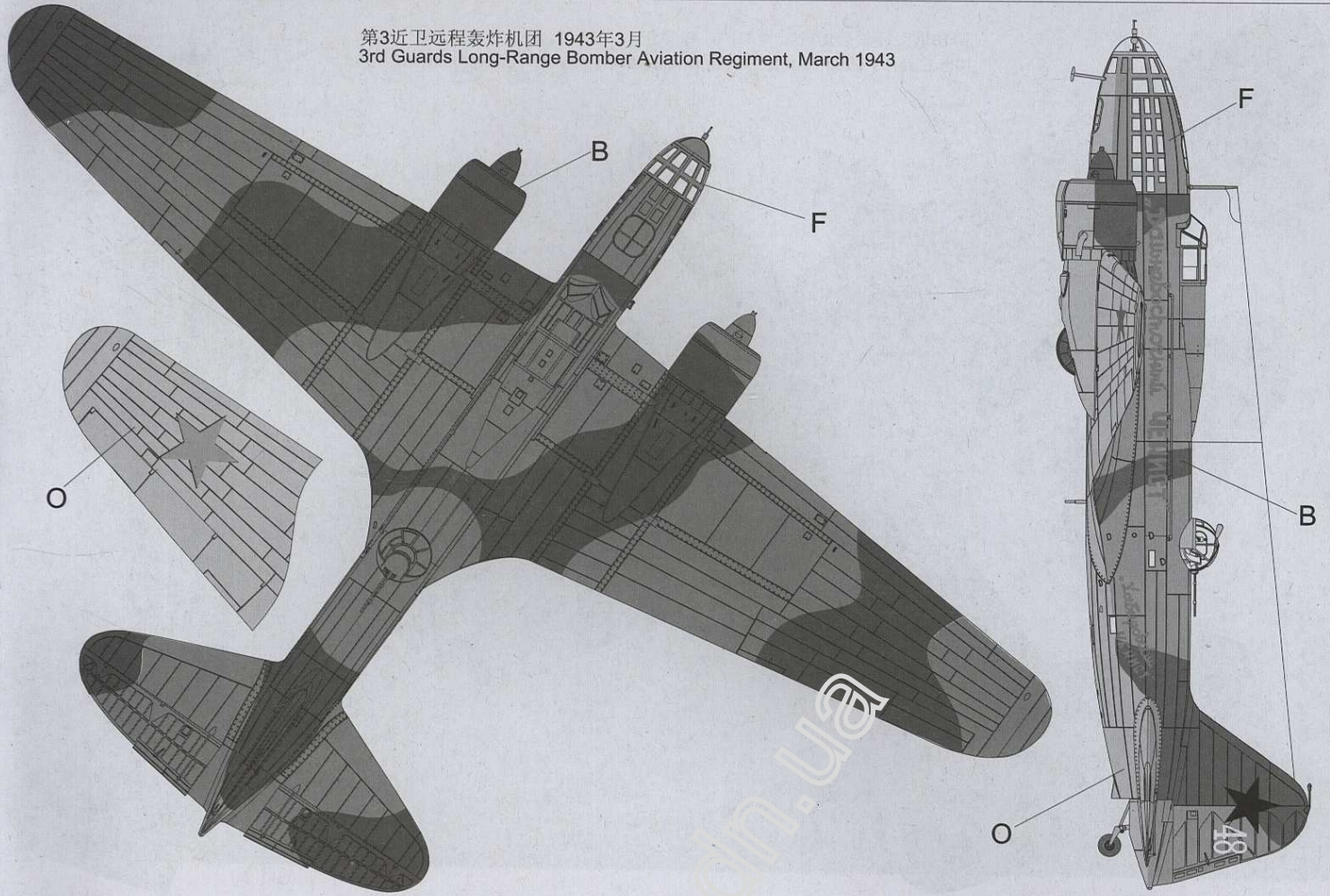
北方舰队 第2近卫红旗勋章团 1944-45年
Northern Fleet, 2nd Guards Red Banner Aviation Regiment, 1944-45



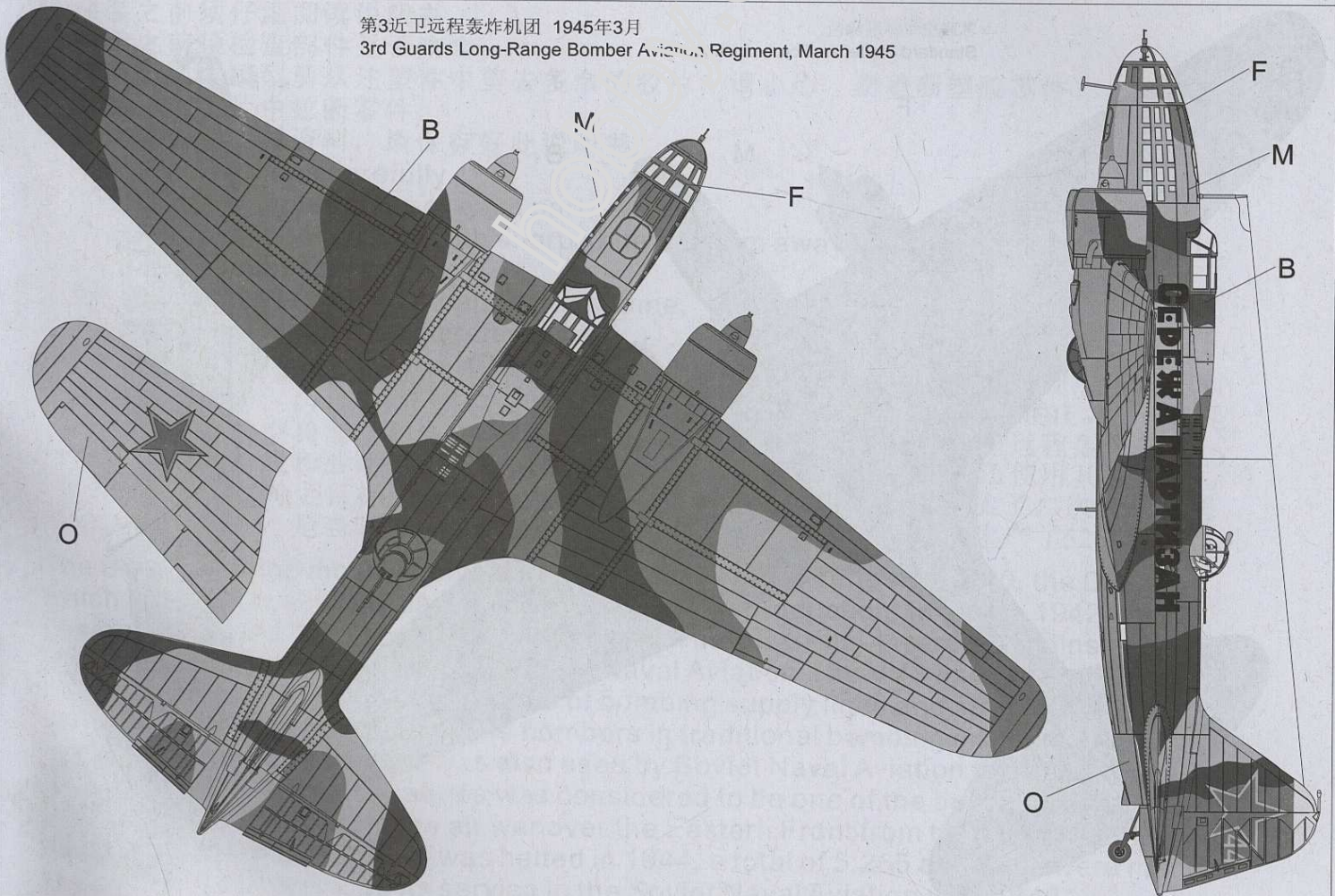
波罗的海舰队 第1近卫鱼雷轰炸机团 1943年夏季
Baltic Fleet, 1st Guards Torpedo Aviation Regiment, Summer 1943



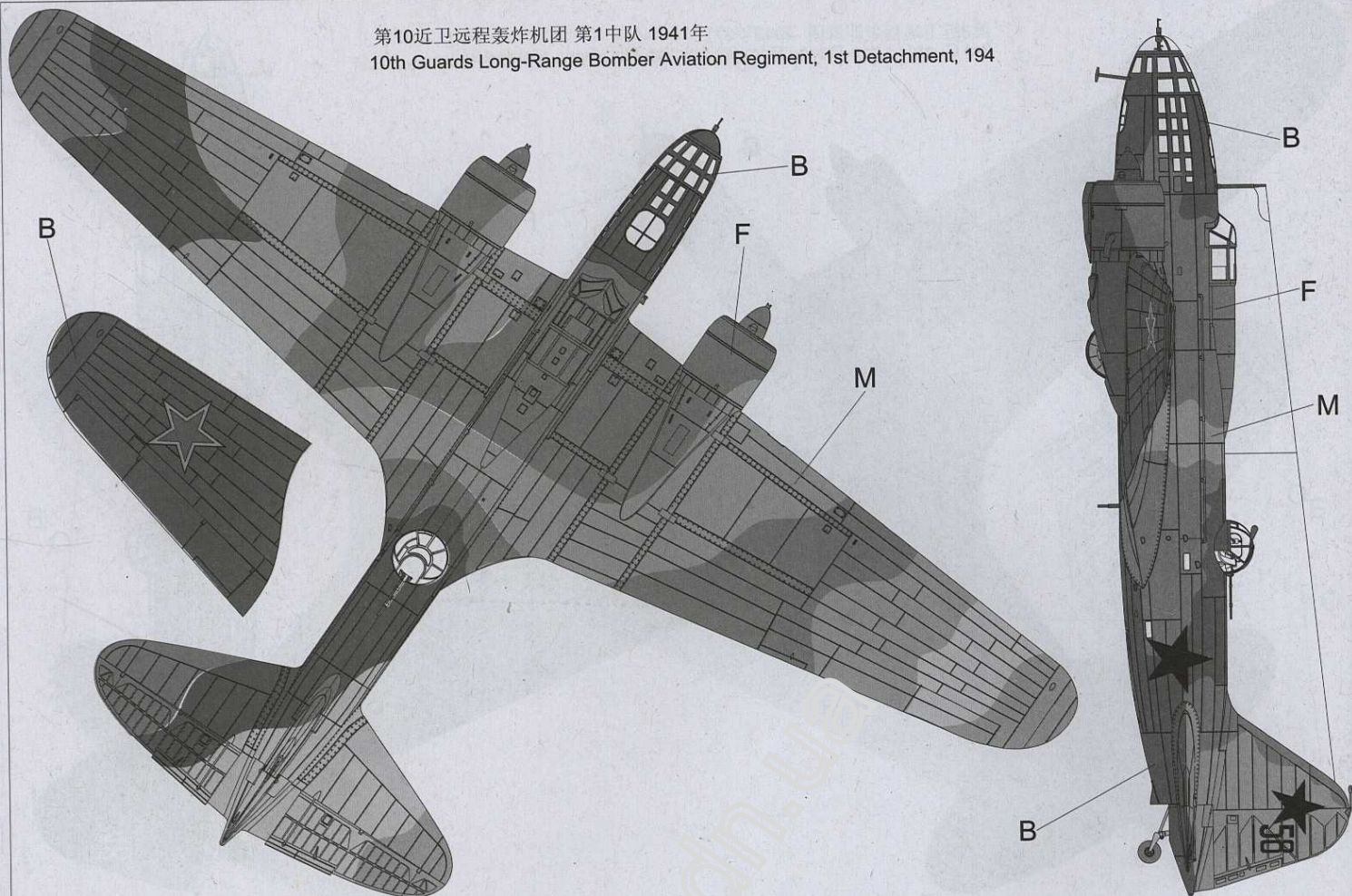
第3近卫远程轰炸机团 1943年3月
3rd Guards Long-Range Bomber Aviation Regiment, March 1943



第3近卫远程轰炸机团 1945年3月
3rd Guards Long-Range Bomber Aviation Regiment, March 1945



第10近卫远程轰炸机团 第1中队 1941年
 10th Guards Long-Range Bomber Aviation Regiment, 1st Detachment, 1941



苏联空军标准涂色
 Standard Soviet Air Force paint

