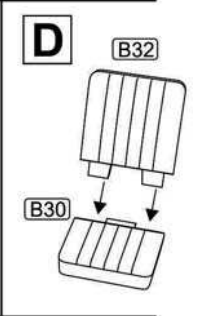
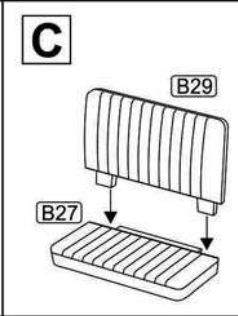
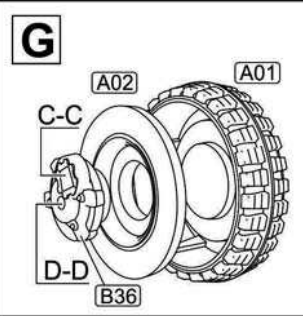
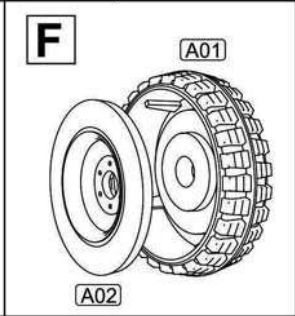
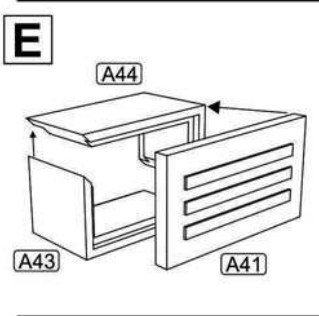
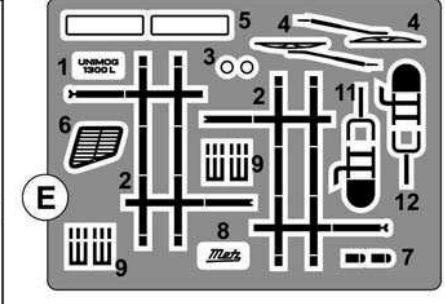
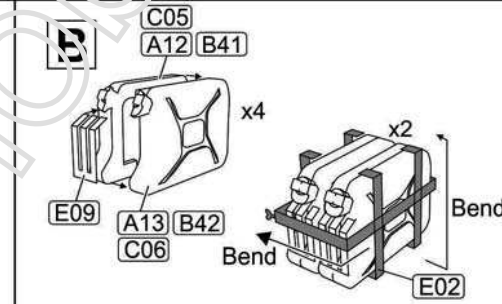
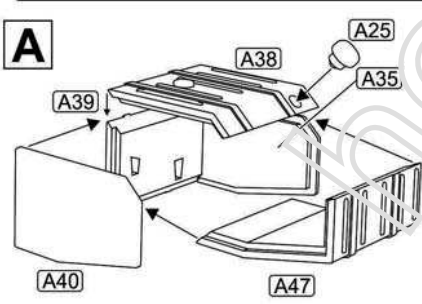
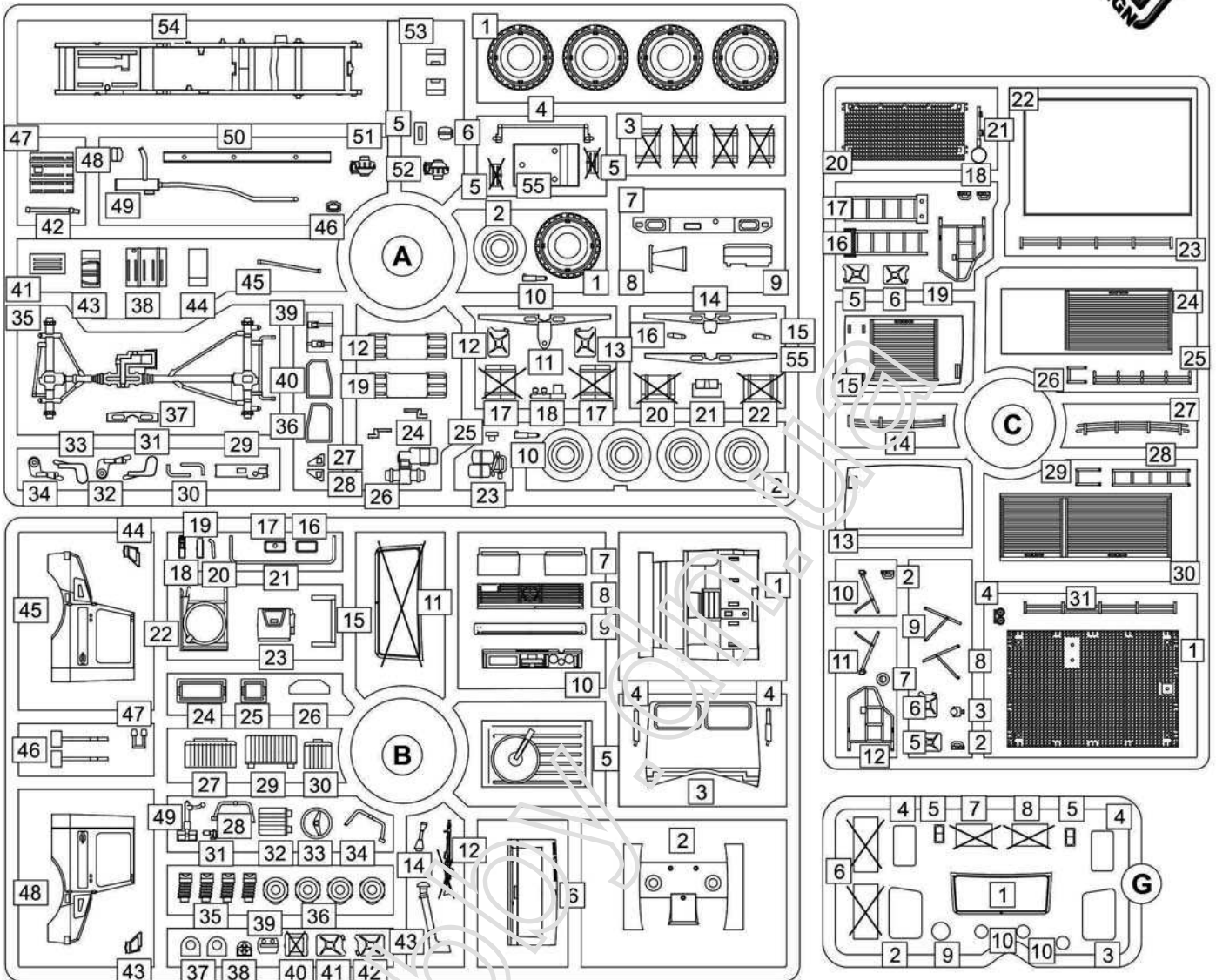


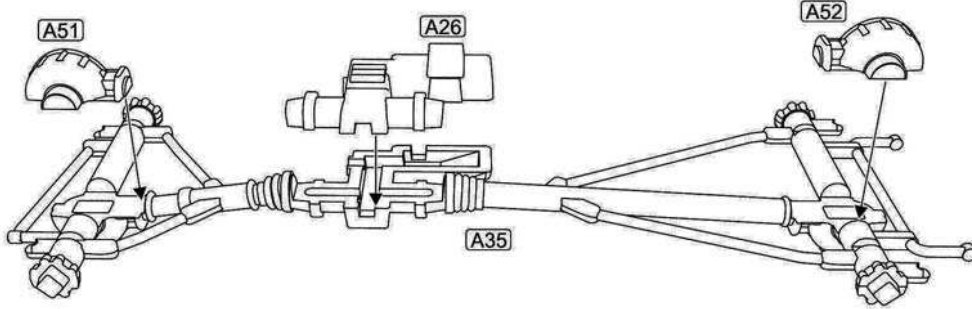
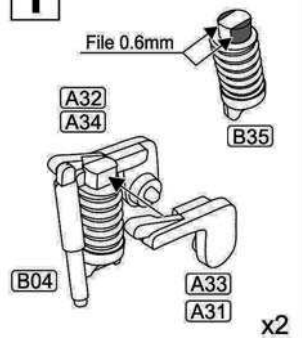
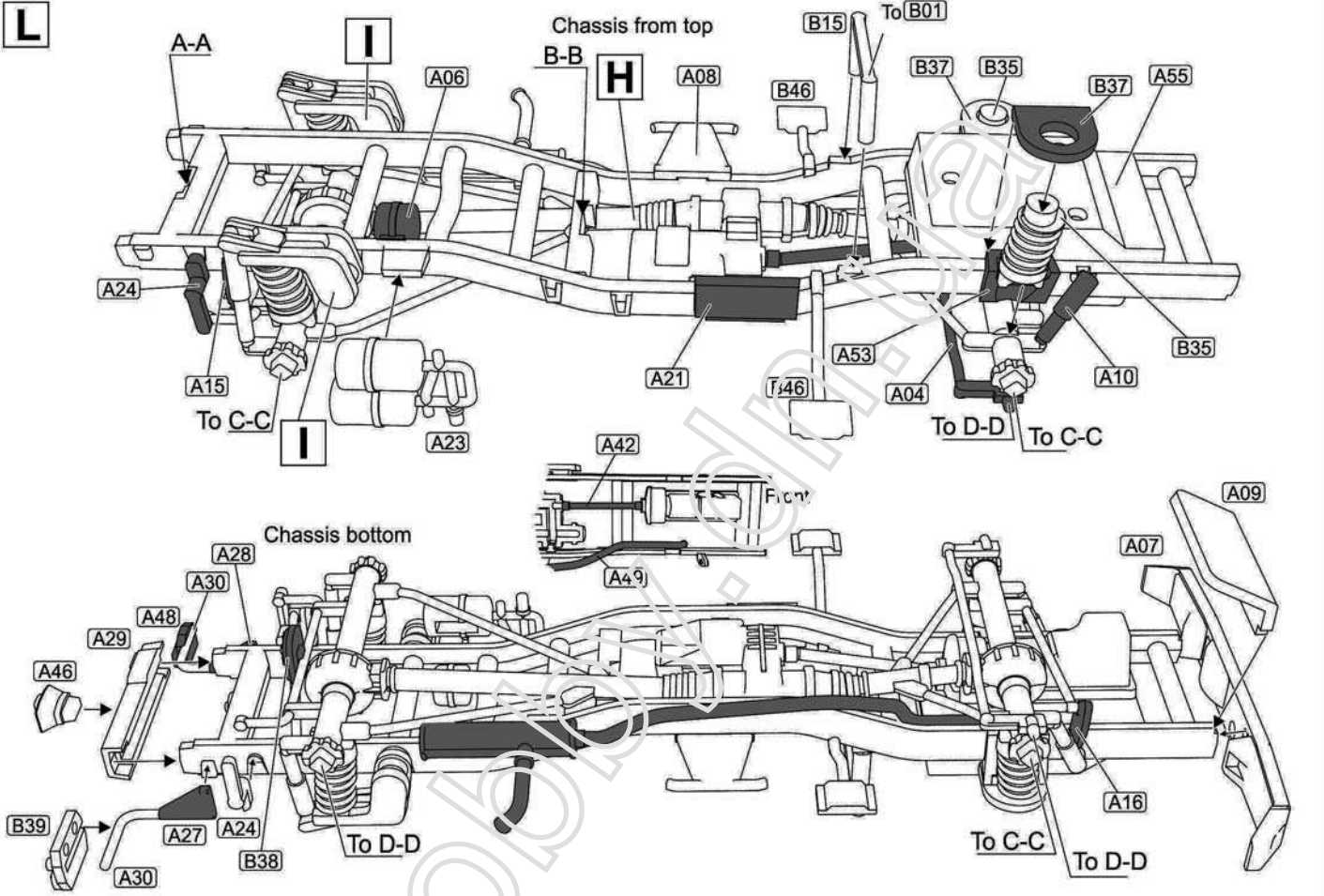
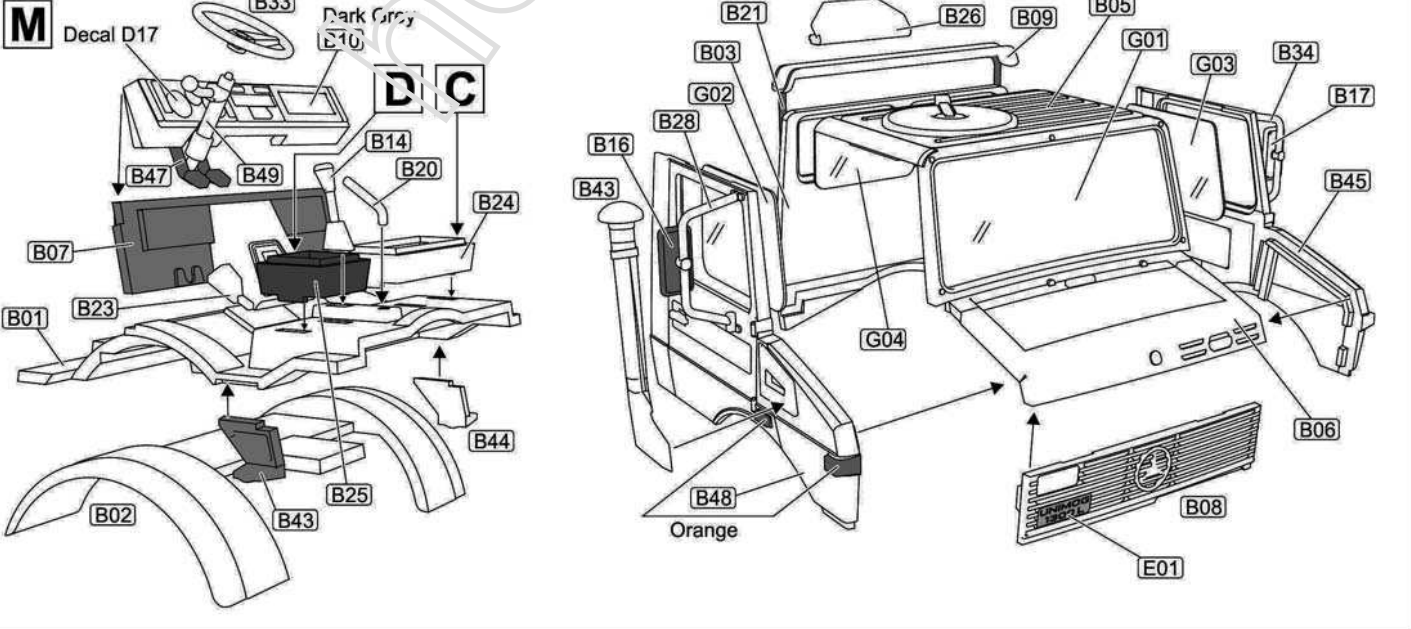
UNIMOG U1300L

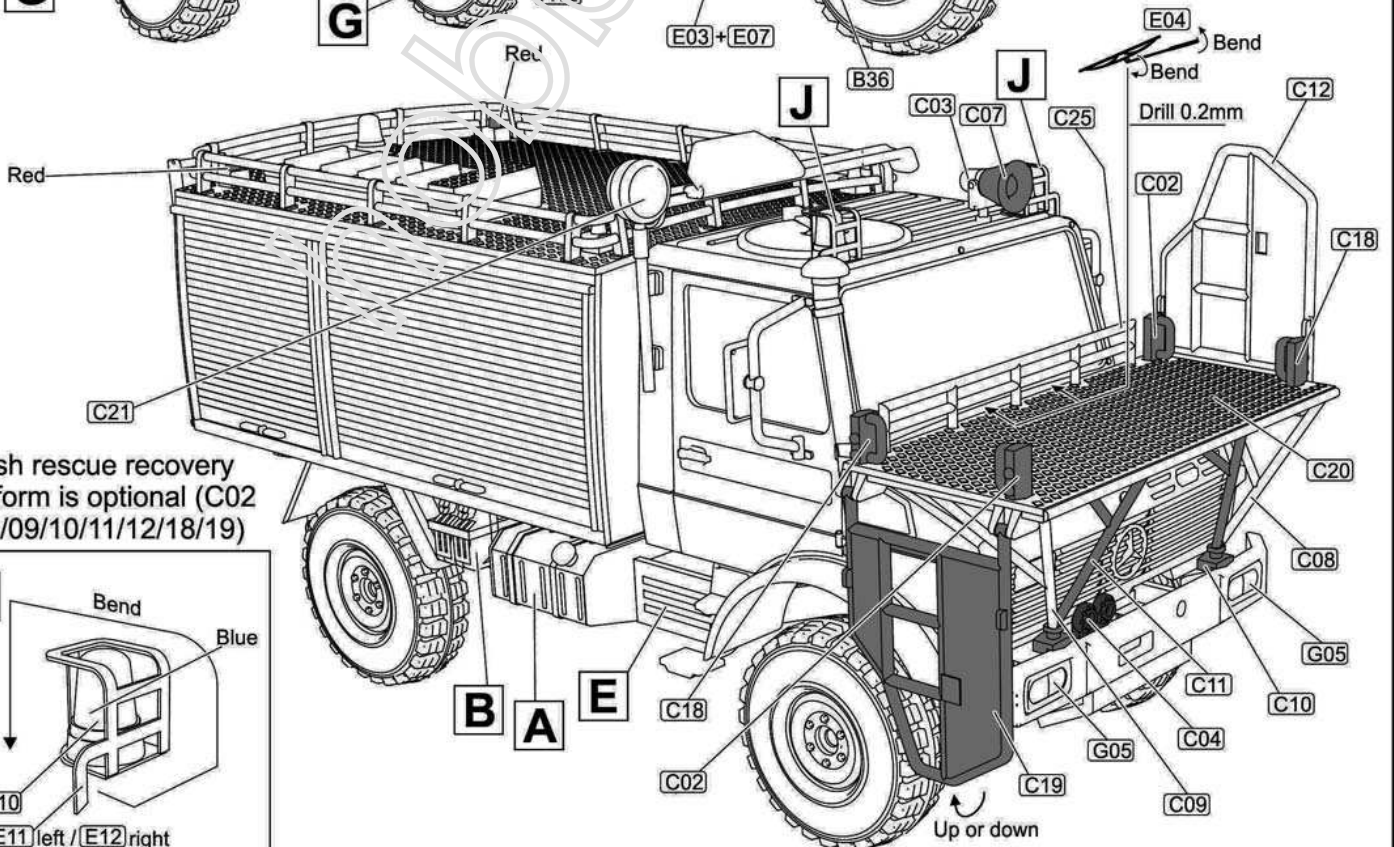
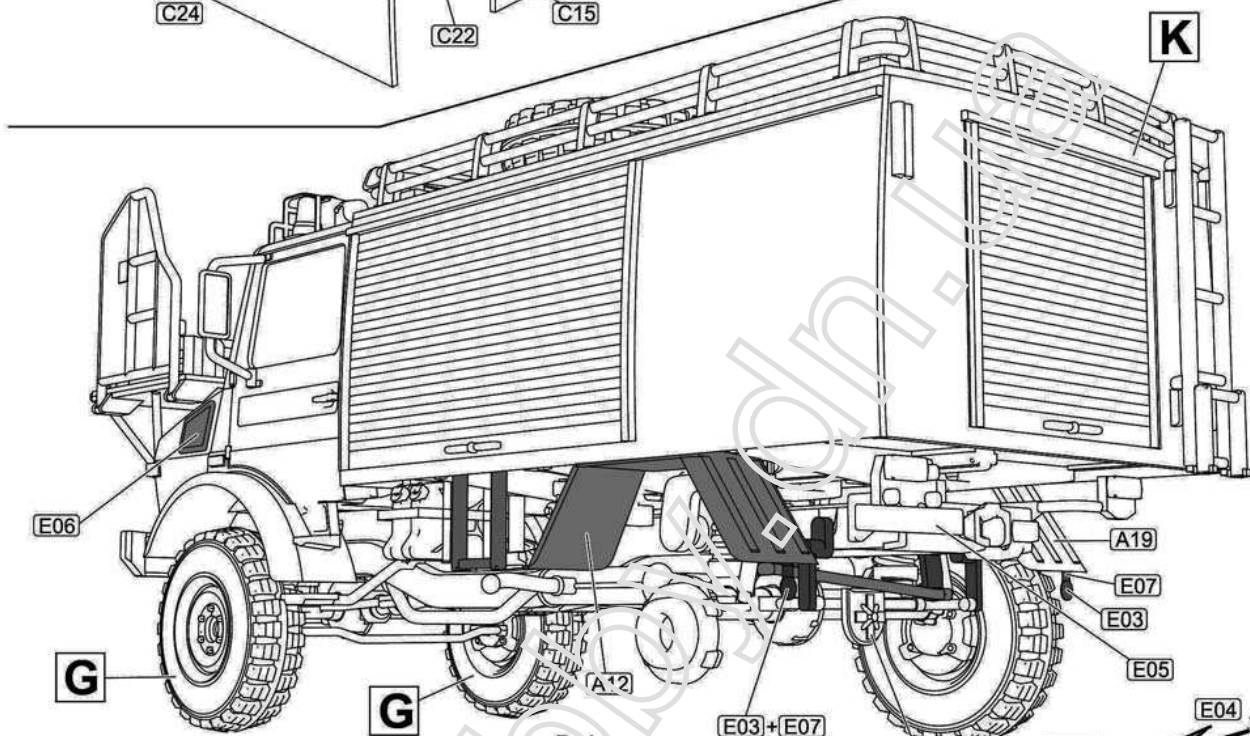
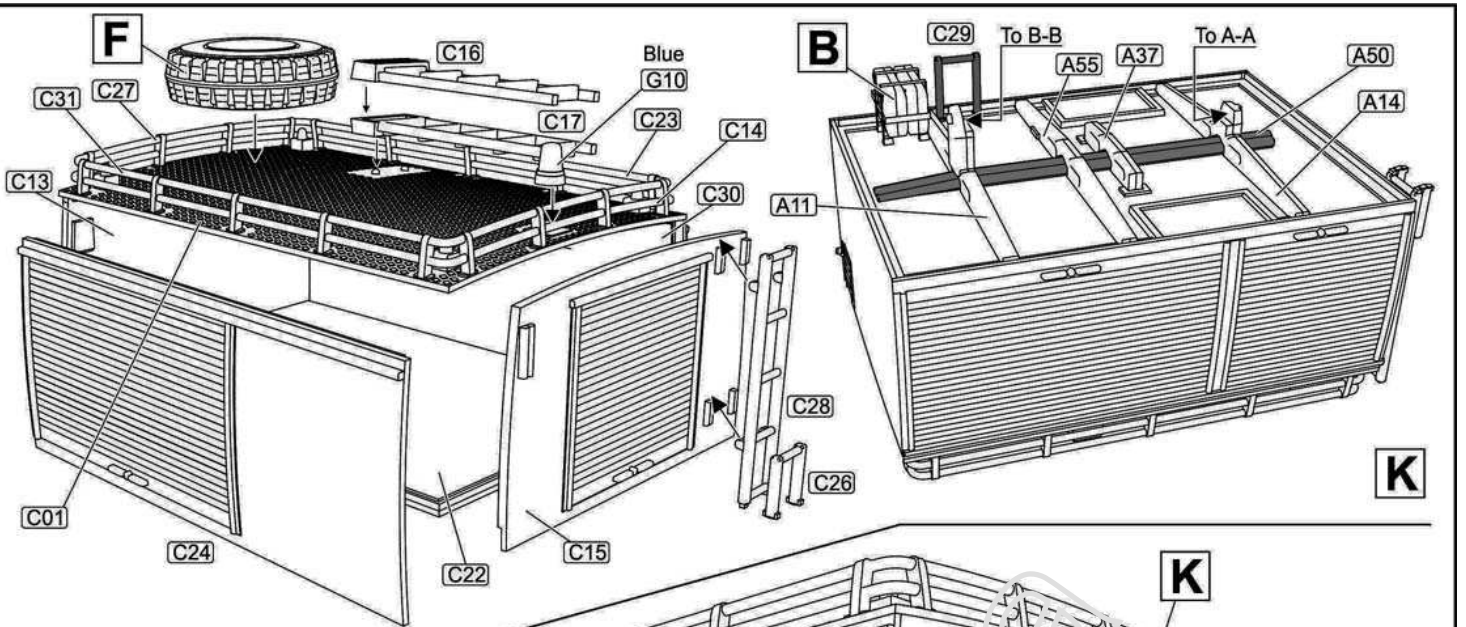
Feuerlösch Kfz TLF 1000

1/72 scale
Plastic model kit.
Cat. #72452

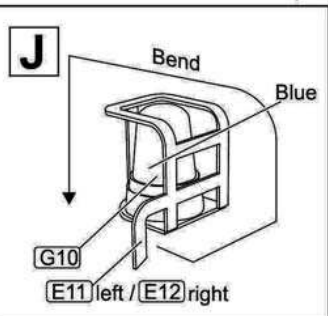


Check for historical photos of this AFV and other vehicles, up to date kit instructions, detailed descriptions of other ACE kits, new products and more at:
<http://www.acemodel.com.ua> or <https://www.facebook.com/acemodelkits/>

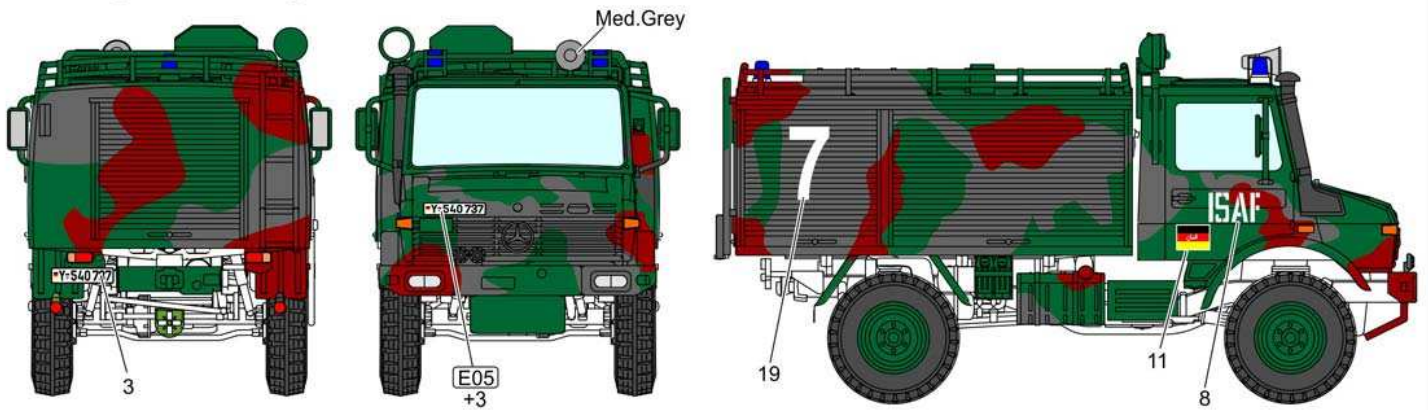
H**I****L****M**



Crash rescue recovery platform is optional (C02 C08/09/10/11/12/18/19)



Painting and marking.



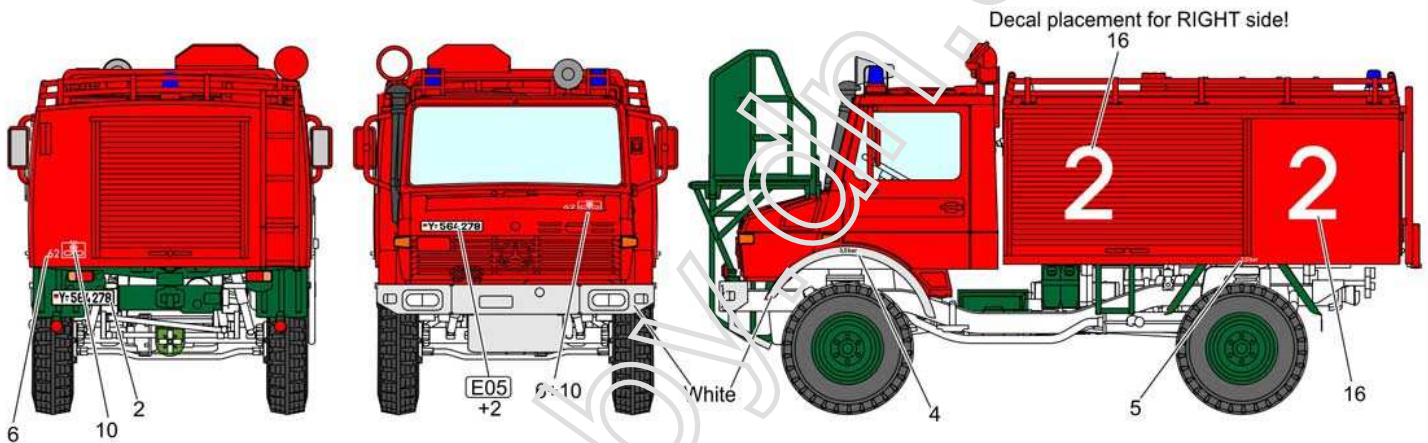
 -Bronze Green

 -Leather Brown

 -Black

UNIMOG 1300L FIKfz 1000 Firefighting Vehicle. Bundeswehr. ISAF. Afghanistan. 2003. Standard German camo of Bronze Green, Leather Brown and tar Black.

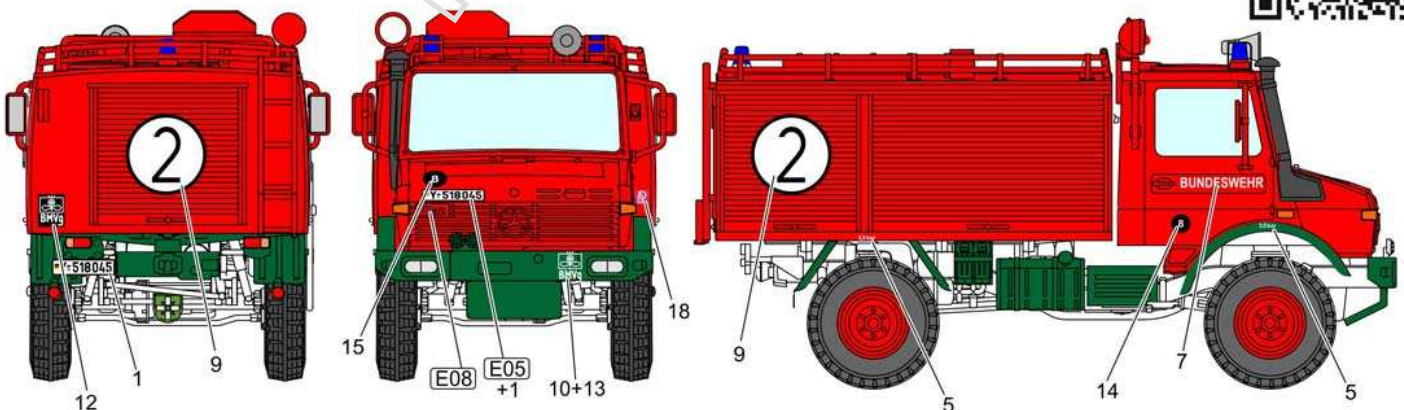
UNIMOG 1300L FIKfz 1000 пожарной бригады войск ISAF. Бундесвер. Афганистан. 2003. Стандартный камуфляж бронзово-зелёный, коричневый и чёрный.



UNIMOG 1300L FIKfz 1000 with a crash rescue recovery platform to recover pilots. Lufttransportgeschwader LTG-62, Wunstorf Germany. 2005. RAL 3000 (Flame red) and Bronze Green platform.

UNIMOG 1300L FIKfz 1000 со спецплатформой для спасения пилотов. 62 ая эскадрилья транспортной авиации. Wunstorf. Германия. 2005. Ярко-красный (RAL 3000) и бронзово-зелёная платформа.

For Latest instruction version and detailed construction images - use this QR-code.



UNIMOG 1300L FIKfz 1000. Bundeswehr. Germany. 2007. RAL 3000 (Flame red) and Bronze Green.

UNIMOG 1300L FIKfz 1000 Бундесвер. Германия. 2007. Ярко-красный (RAL 3000) и бронзово-зелёный.