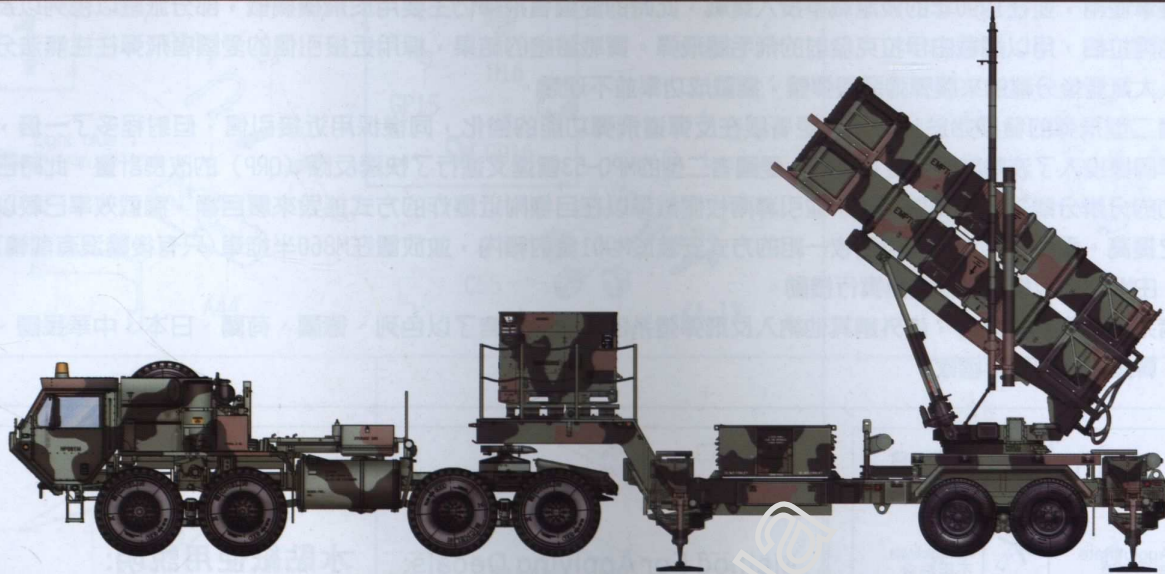




SCALE 1/35 AF35153

HEMTT M983 Tractor & M901 Launching Station of MIM-104
AF35S87 Patriot SAM System (PAC-2) 愛國者二型防空飛彈



During the Cold War in early 1960s, both of the US and USSR deployed their medium-range ballistic missiles nearby counterparty's territory, in Turkey and Cuba respectively. The deployment of SS-4 missiles in Cuba with range covering Washington, DC, caused the crisis to escalating into nuclear war. Unlike the strategic bombers and intercontinental ballistic missiles, reaction time was too short to intercept the medium-range ballistic missiles deployed closed to the country. Thus, all air defense systems were malfunctioned in countering of such missiles. The crisis arose due to broken of the balance of terror maintained by the principle of mutual assured destruction, as the party attacked first will be able to paralyze the opponent immediately.

The Cuban Missile Crisis was ended in 1962 when both parties removed their missiles from Turkey and Cuba. The Field Army Ballistic Missile Defense System (FABMDS) conducted by the US Army was cancelled in 1963 due to technical factors. Although the ability of counter medium-range ballistic missile was given up, the US Army was still focused on the development of phased array tracking radar and missile guidance technology in the subsequent Surface-to-Air Missile - Development (SAM-D). It also retained the possibility of counter short-range ballistic missiles capability to provide air defense to the field armies. In 1976, the US Department of Defense officially designated SAM-D as MIM-104 Patriot system. Patriot entered service with the US Army in 1984 after assessing and testing, and saw combat in Gulf War in 1990. Up to this time the Patriot missiles were mainly used in aircraft interception. Some Patriot systems were deployed in Israel and Saudi-Arabia to intercept the Iraqi Scud missiles. However, the success rate was not as overwhelmingly good as suggested. The result concluded that Patriot with proximity fuse were often failed to distinguish between the warhead and body of the separated missile after it returned to atmosphere.

Developed in 1987, PAC-2 missile was optimized for ballistic missile engagements. The new missile, with new proximity fuse, had cover range doubled. PAC-2 was fielded in Gulf War in 1990 as well. Further radar improvements Quick Response Program (QRP) to the MPQ-53 radar of PAC-2 was introduced in 1996. Thus, PAC-2 could recognized separated warhead and missile body successfully and guided 2 missiles to explode near the target to destroy it. The success rate was much higher than before. A set of 4 PAC-2 missiles were stored in M901 launching station, transported on an M860 semi-trailer and towed by Oshkosh M983 HEMTTs or other vehicles.

Besides the United States, Patriot systems were also sold to countries in the theater missile defense, including Israel, Germany, the Netherlands, Japan, the Republic of China, Greece, South Korea and Belgium, etc.

冷戰時期的1960年代初期，中程彈道飛彈先後被美蘇兩國部署在臨近對方國土的土耳其與古巴境內，尤其是部署於古巴的SS-4飛彈，射程涵蓋華盛頓哥倫比亞特區，為此一度引來核戰爆發的危機。危機形成的原因在於，與過去的戰略轟炸機與洲際彈道飛彈相較，這種臨近國土部署的敵方中程彈道飛彈，由於反應攔截的時間太短，使得當時所有的防空手段在面對中程彈道飛彈時等同失效。先發起攻擊的一方將能立刻癱瘓對手，相互保證毀滅原則所維持的恐怖平衡態勢也將被打破。

1962年的古巴飛彈危機在雙方各自從古巴與土耳其撤出中程飛彈後劃下句點。美國陸軍曾提出的「野戰彈道飛彈防禦系統」(FABMDS)也因技術因素,在1963年放棄了其中反中程彈道飛彈的能力,但在延續的「地對空飛彈發展計畫」(SAM-D)中仍然著重相陣雷達的發展和飛彈的導引技術。保留了防禦短程彈道飛彈的可能,提供野戰部隊所需的防空能力。1976年美國國防部將SAM-D正式定名為MIM-104愛國者飛彈系統,經過評估與測試,1984年間交由陸軍使用,並在1990年的波灣戰爭投入實戰,此時的愛國者飛彈仍主要用於飛機攔截,部分派駐以色列以及沙烏地阿拉伯,用以攔截由伊拉克發射的飛毛腿飛彈。實戰驗證的結果,採用近接引信的愛國者飛彈往往無法分辨重入大氣層後分離的來襲彈頭與彈體,攔截成功率並不理想。

愛國者二型飛彈的發展始於1987年,更著眼在反彈道飛彈功能的強化,同樣採用近接引信,但射程多了一倍,1990年同樣投入了波灣戰爭。至1996年,愛國者二型的MPQ-53雷達又進行了快速反應(QRP)的改良計畫。此時已能成功的分辨分離後的彈頭與彈體,並引導兩枚攔截彈以在目標附近爆炸的方式摧毀來襲目標,攔截效率已較以往為之提高。愛國者二型飛彈以四枚一組的方式安裝於M901發射箱內,並放置在M860半拖車(只有後輪沒有前輪)之上,由M983拖板車或其他載具實行機動。

愛國者系統除了美國之外,尚外銷其他納入反飛彈體系的全盟,包含了以色列、德國、荷蘭、日本、中華民國、希臘、韓國及比利時等國家。

Illustration:圖示說明



Method For Applying Decals:

1. Clean Model Surface With Wet Cloth.
2. Cut Out Of Decal Sheet And Dip Them In Water For 15 Seconds.
3. Place it on proper position on model.
4. Slide off base paper leaving decals On Model With Wet Finger Tip.
5. Move Decals To Exact Position, Push Out Excess Water Under Decal With Soft Cotton Cloth.
6. When Decals Get Dry Then Complete.

水貼紙使用說明:

1. 將模型表面擦乾淨
2. 將貼紙剪下泡入清水中約15秒
3. 將泡濕之貼紙取出置於欲貼處旁
4. 用指尖輕推貼紙表面使其滑出底紙
5. 將貼紙調整至適當位置並輕擦拭水份
6. 待其自然乾燥後即完成

Color list: 塗料表

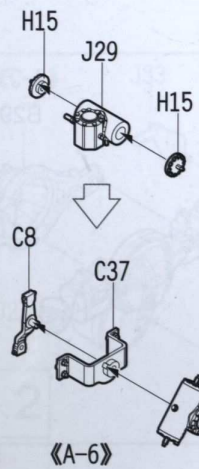
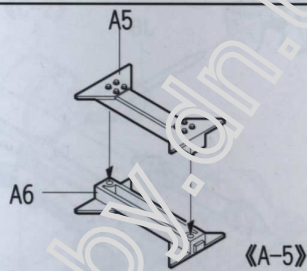
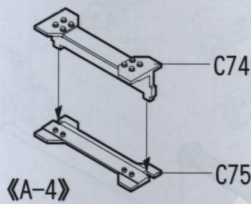
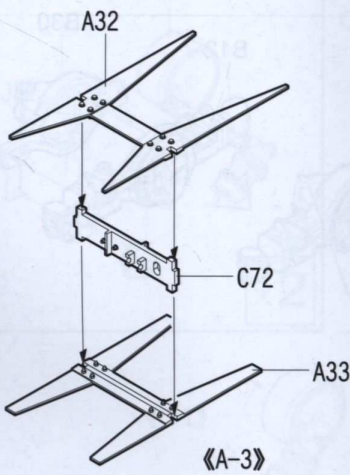
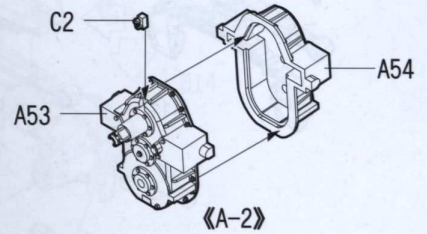
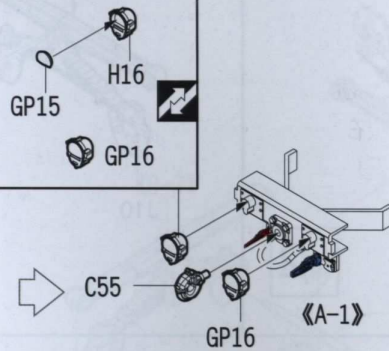
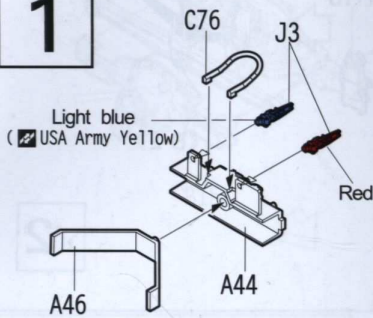
Color	Brand	GSI Creos			Humbrol	Revell	Lifecolor
		Hobby Color	Mr.Color	Mr.Color Spray			
Bronze green	青銅綠		TC10				
Burnt iron	燒鐵	H76	C61		53	LC26	
Flat black	消光黑	H12	C33	J33	33	8	
Flat white	消光白	H11	C62	J62	34	05	
Green FS34079	綠	H309	C309		195	UA52	
Leather brown	皮革棕		TC11				
Light blue	淺藍	H45			47	LC58	
Orange	橘	H14	C59		18	30	
Red	紅	H3	C3	J3	19	31	
Tire black	輪胎黑	H77	C137		85	302	
Yellow	黃	H4	C4	J4	69	12	

HEMTT M983 Tractor

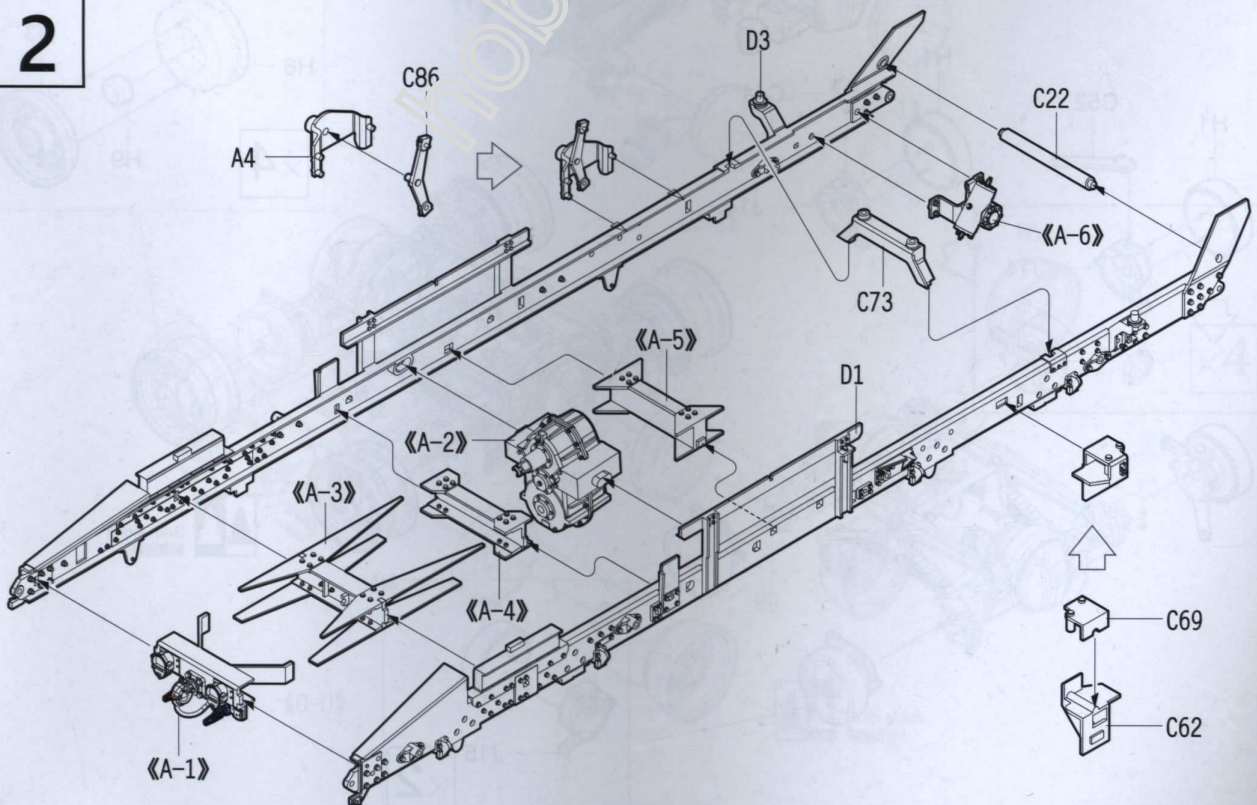
M983機動戰術卡車



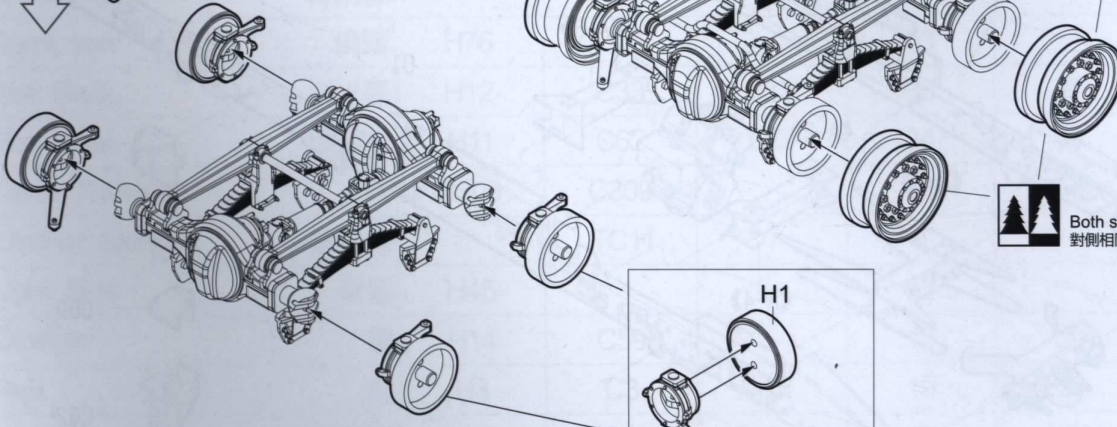
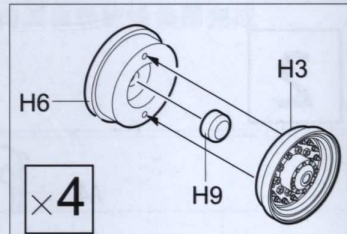
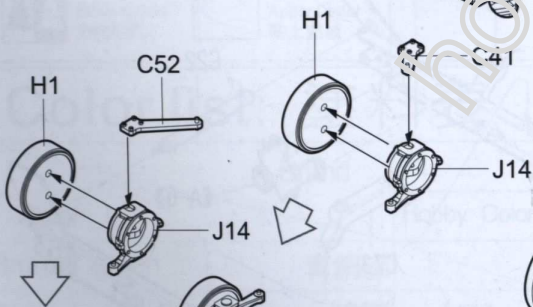
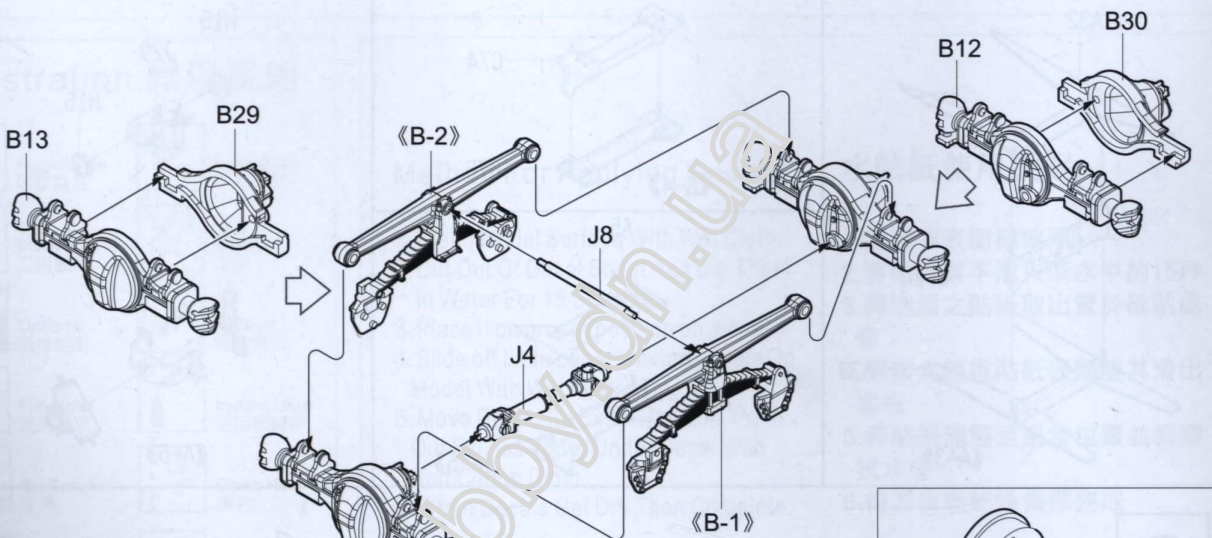
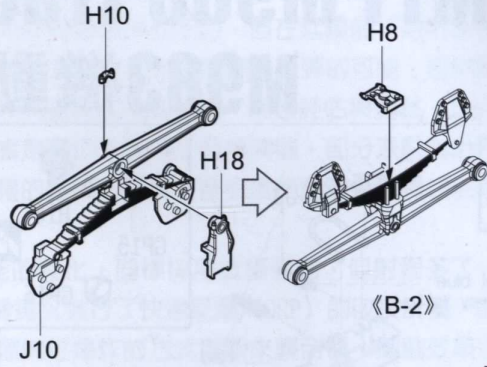
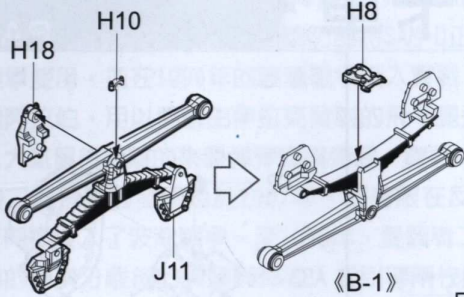
1



2

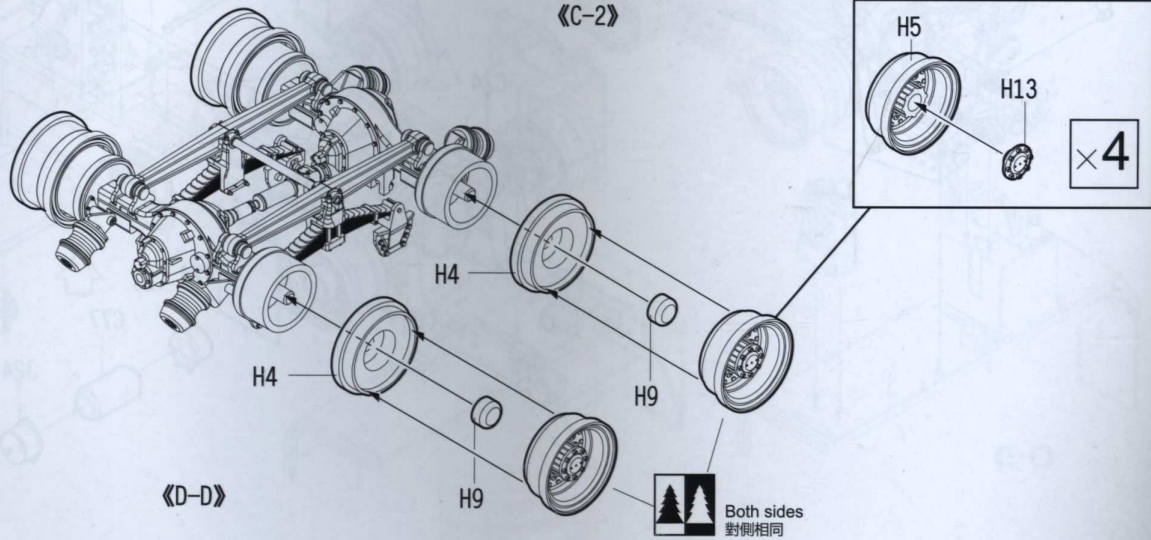
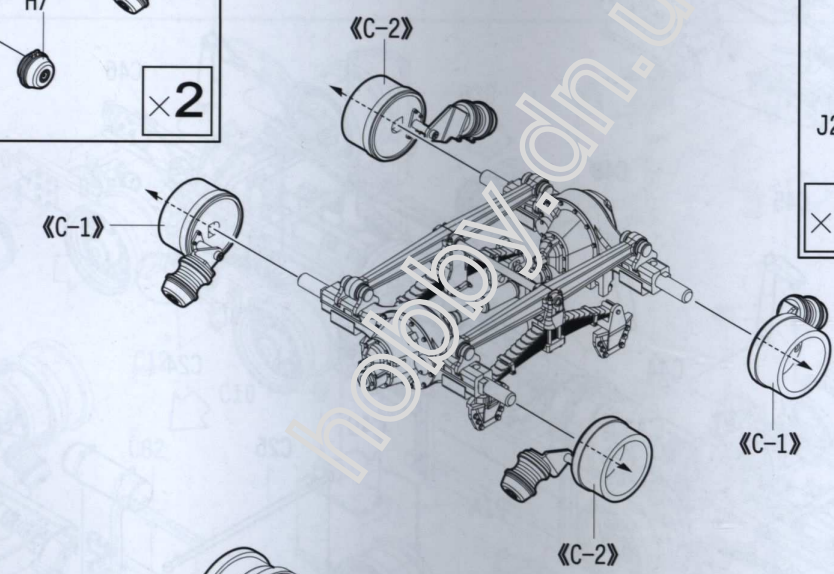
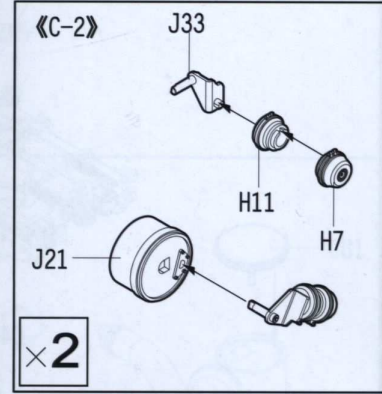
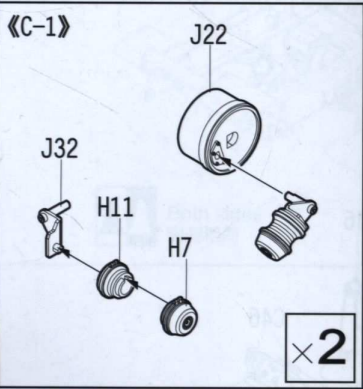
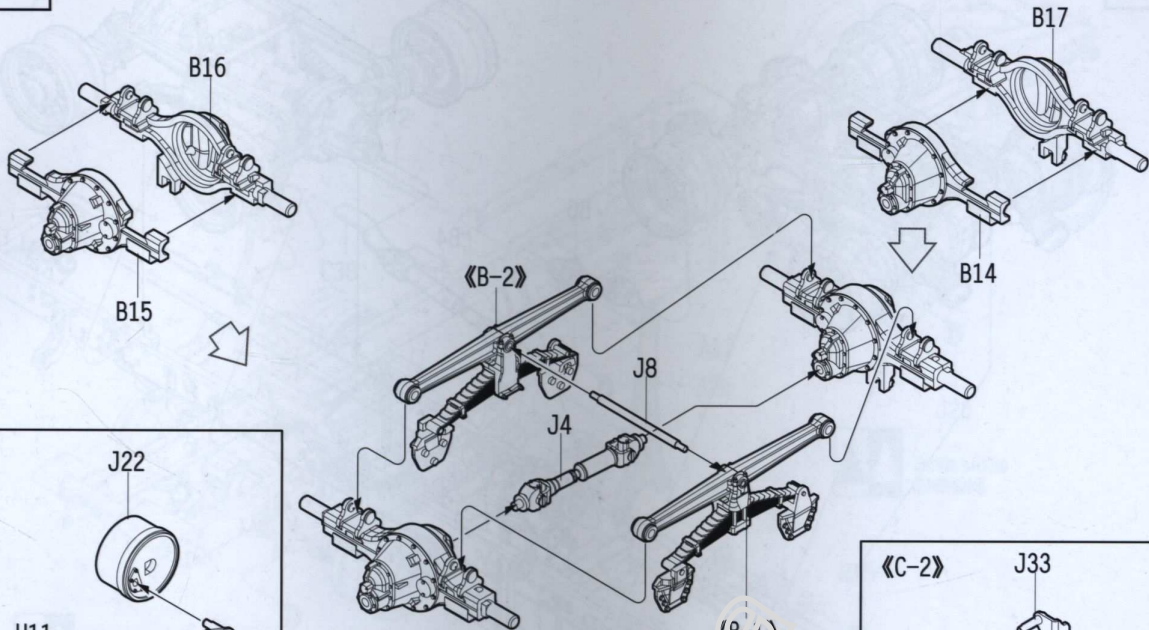


3



Both sides
對側相同

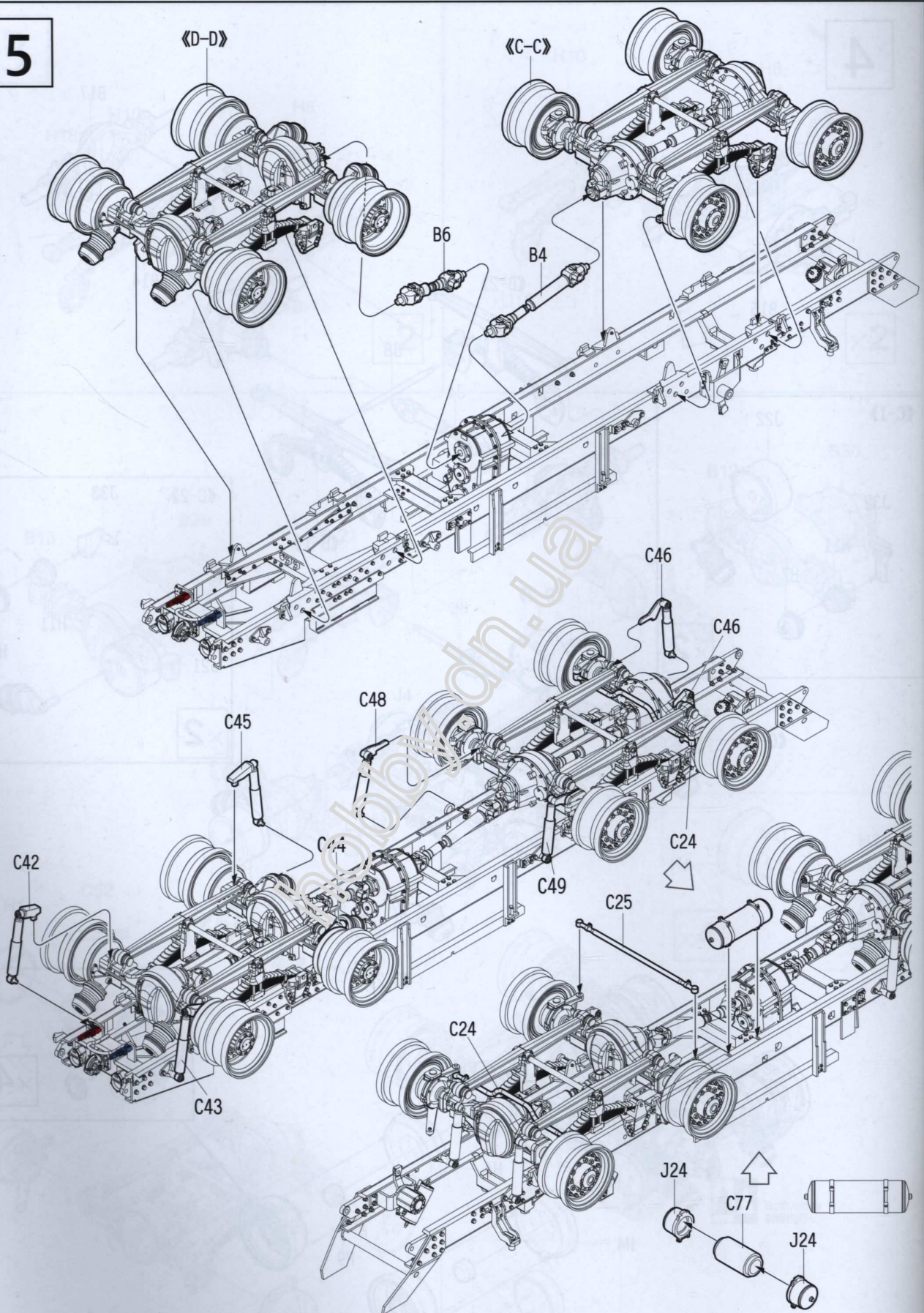
4



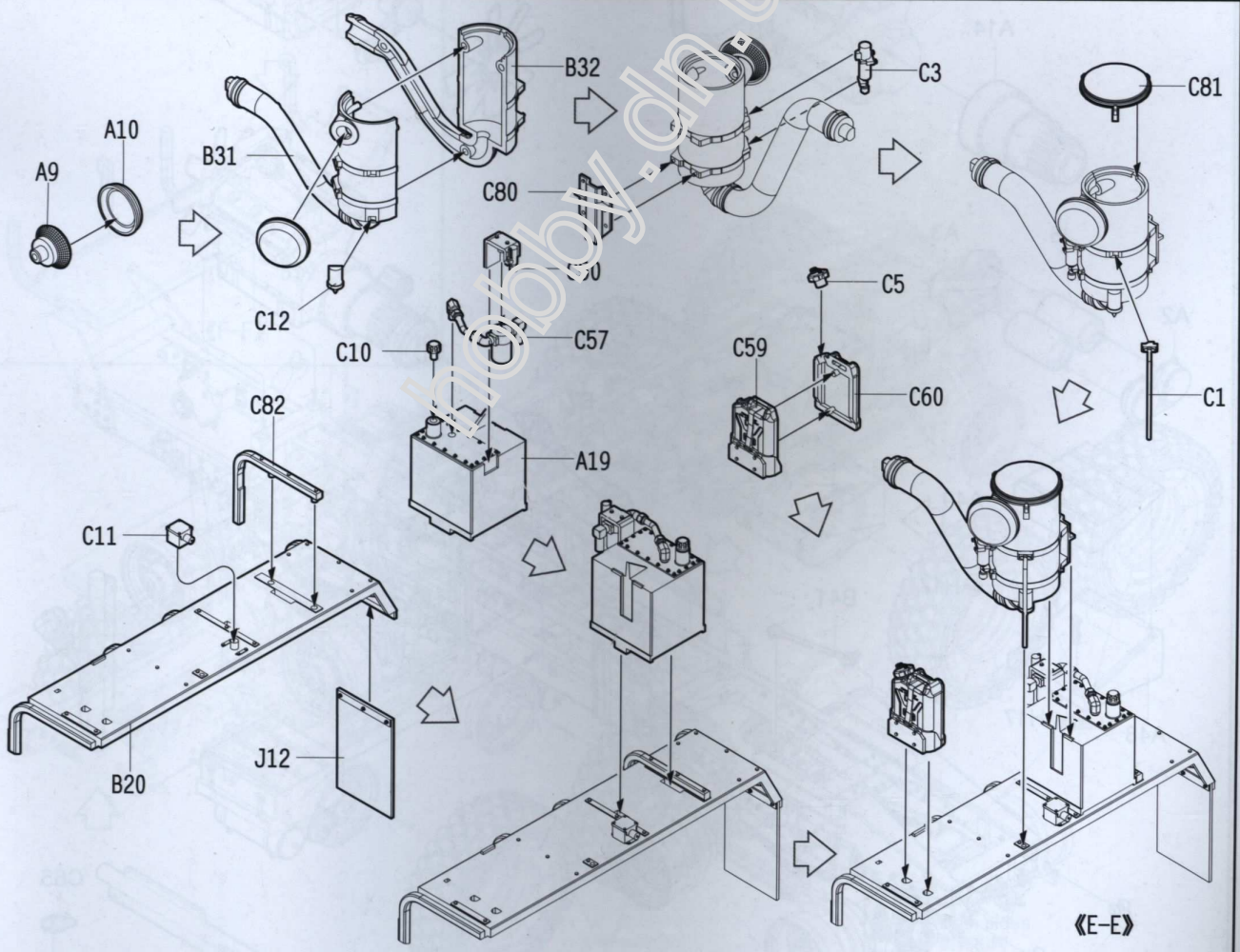
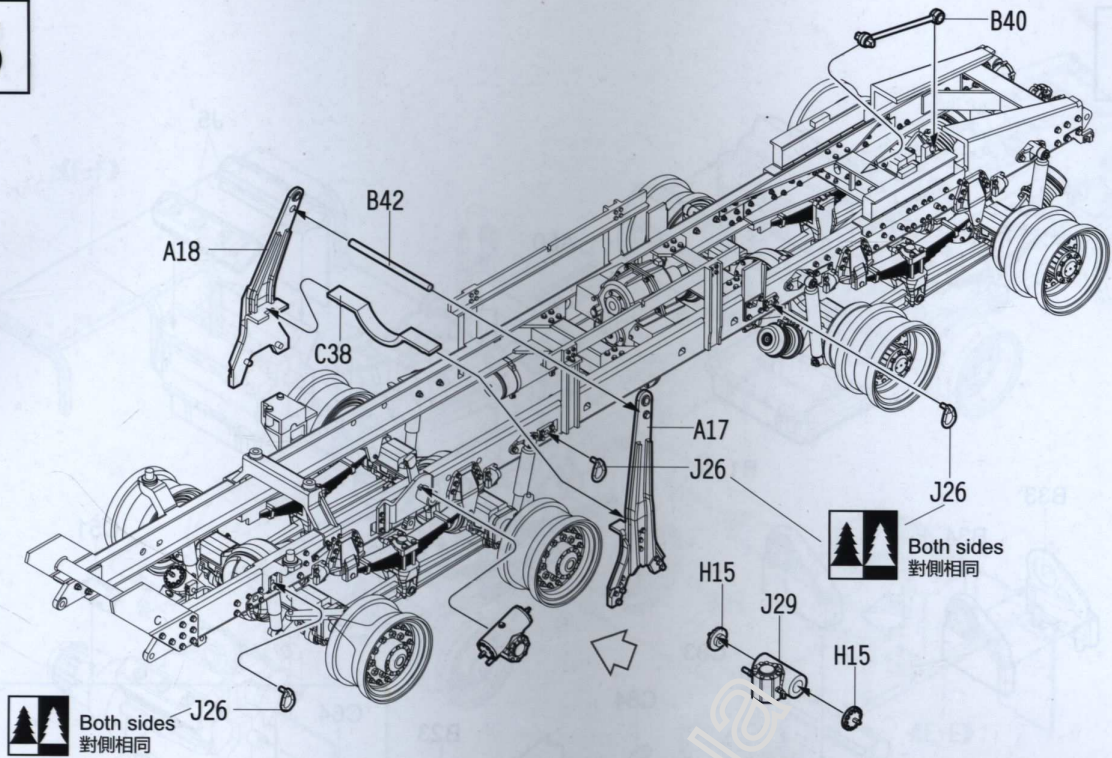
《D-D》

Both sides
對側相同

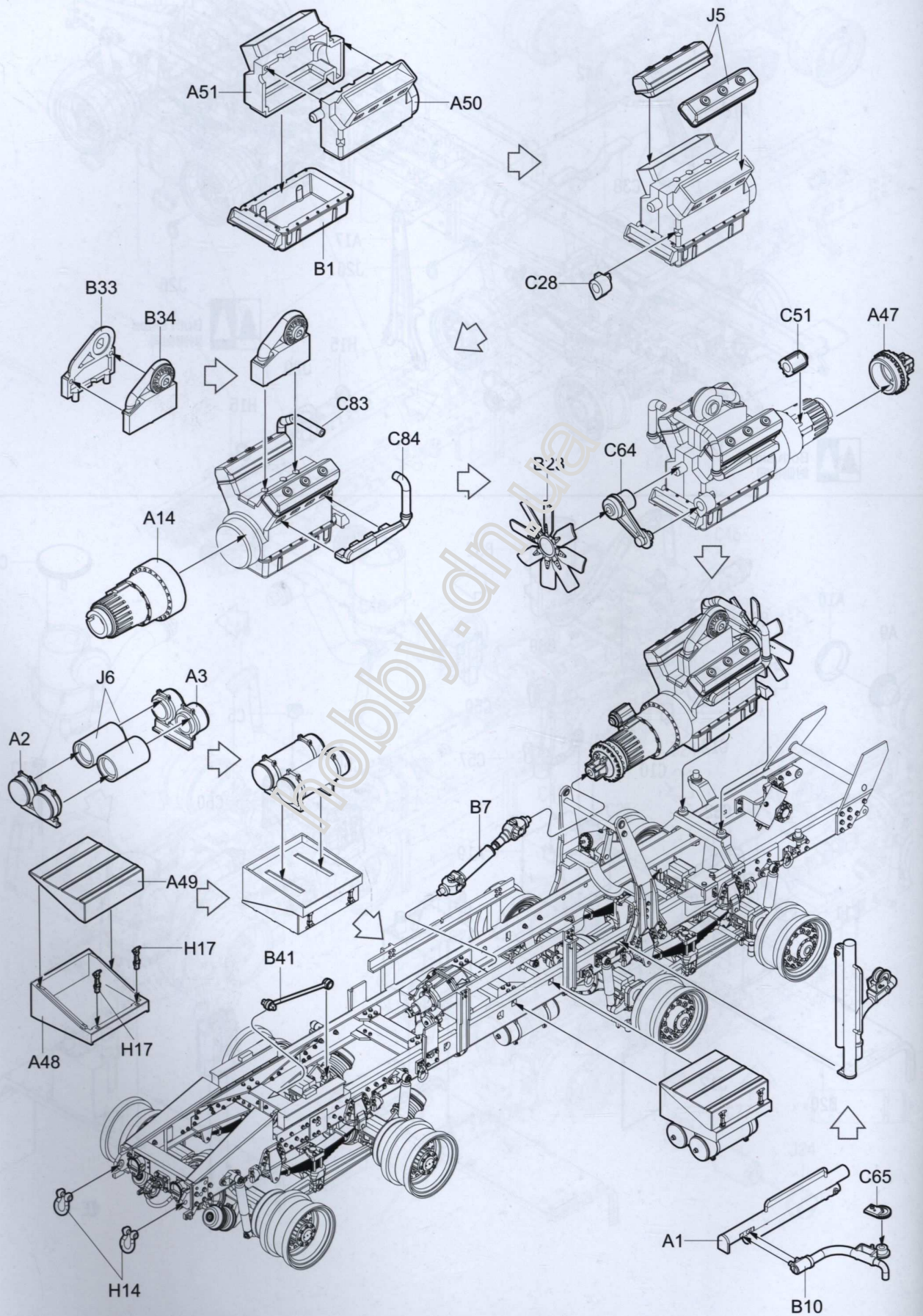
5



6

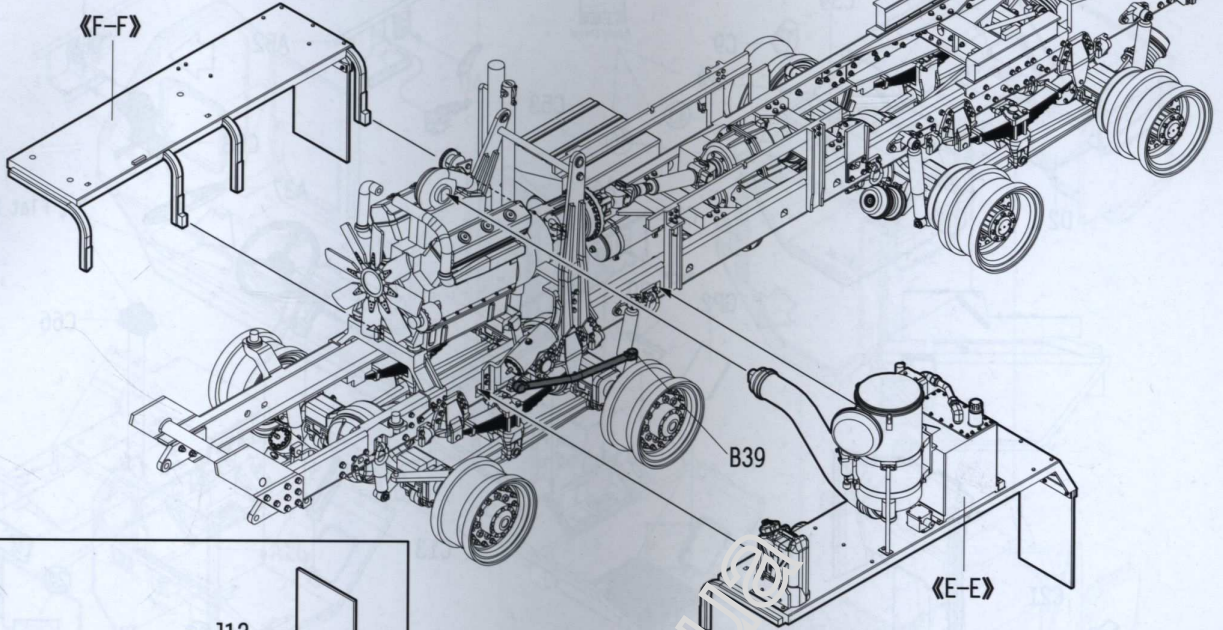


7



8

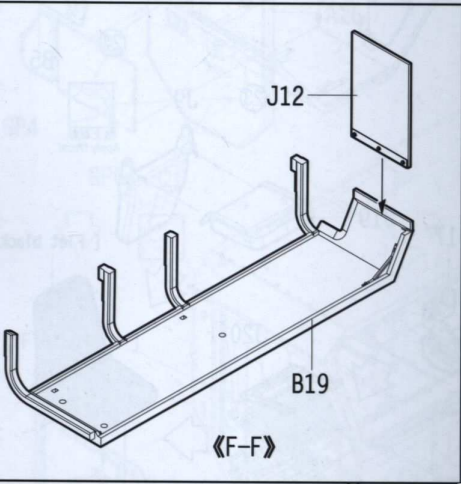
《F-F》



J12

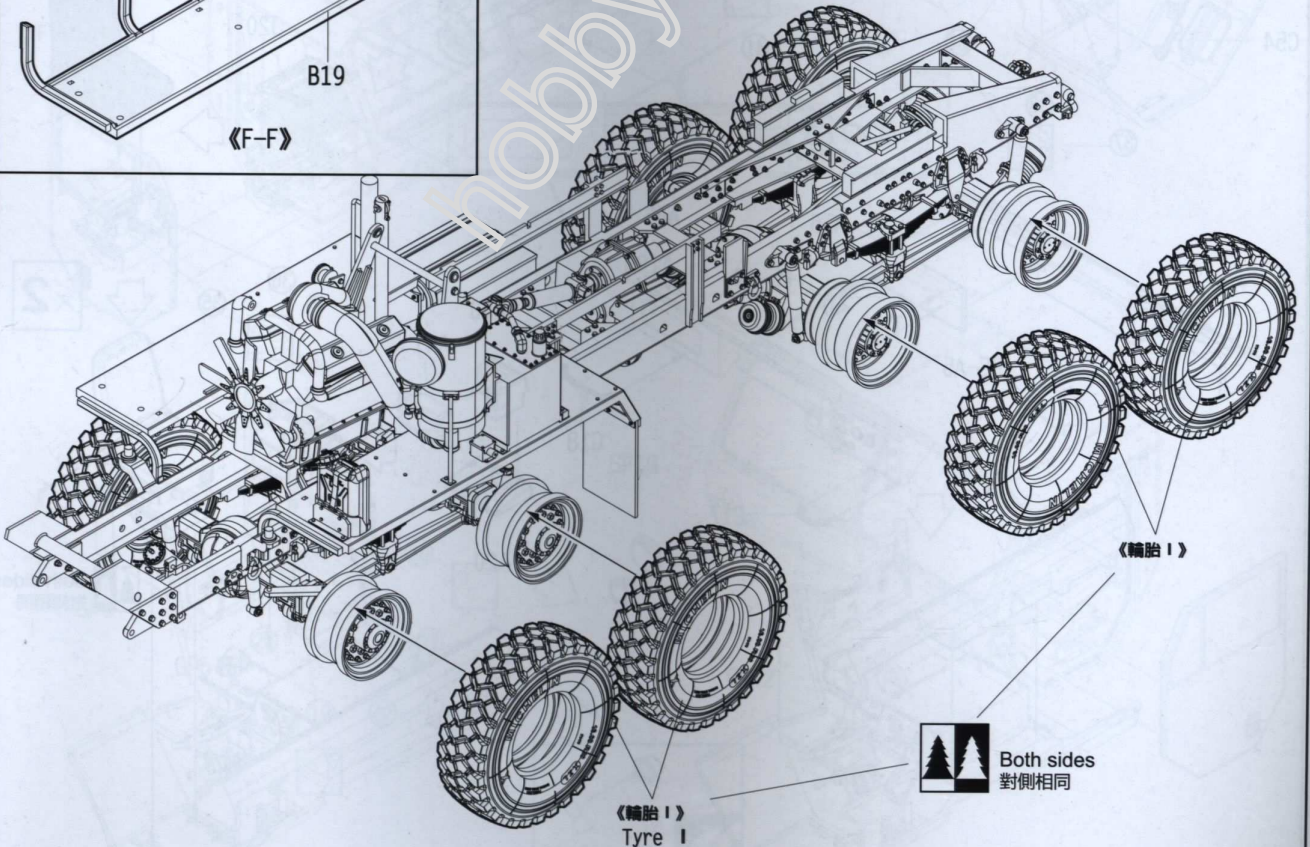
B19

《F-F》



《E-E》

B39



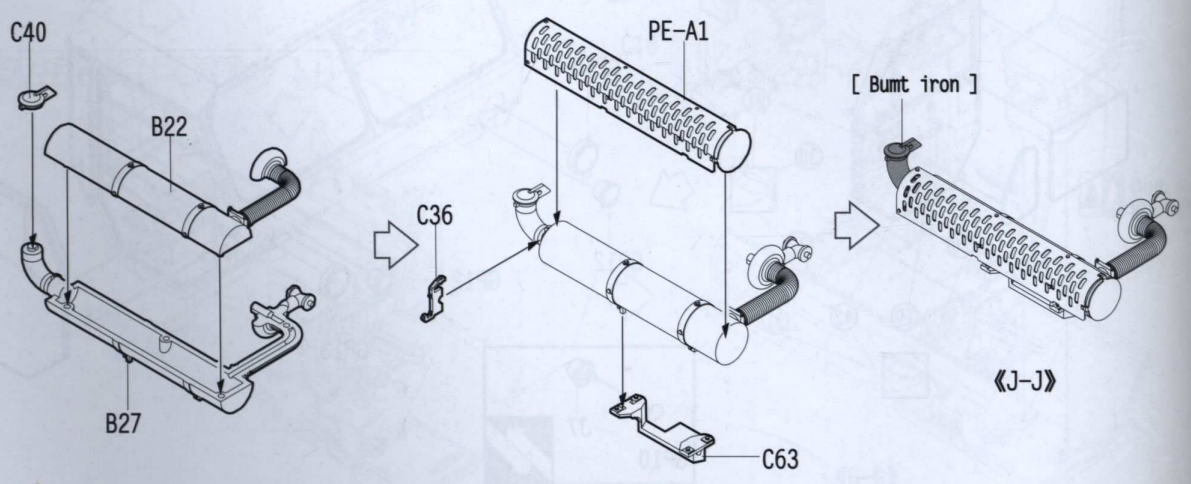
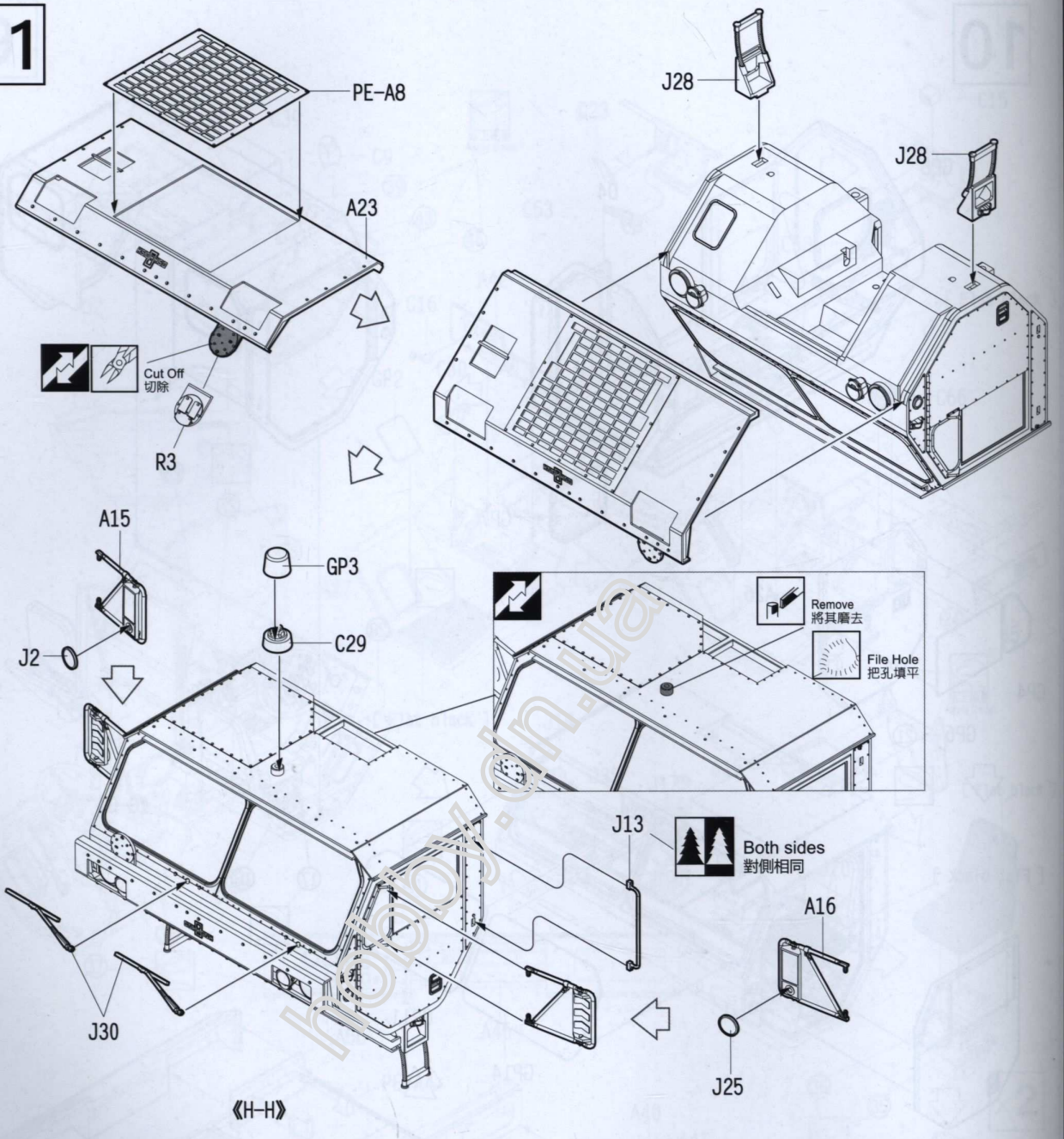
《輪胎 I》

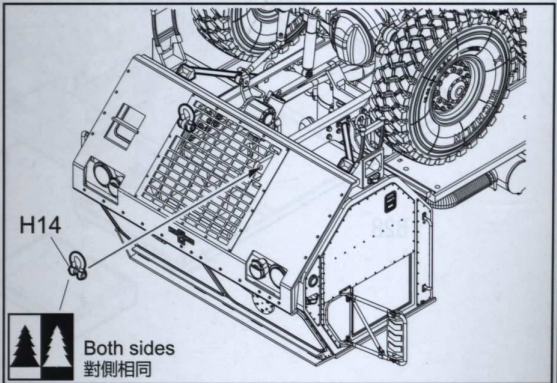
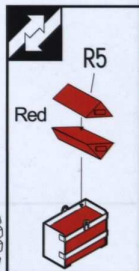
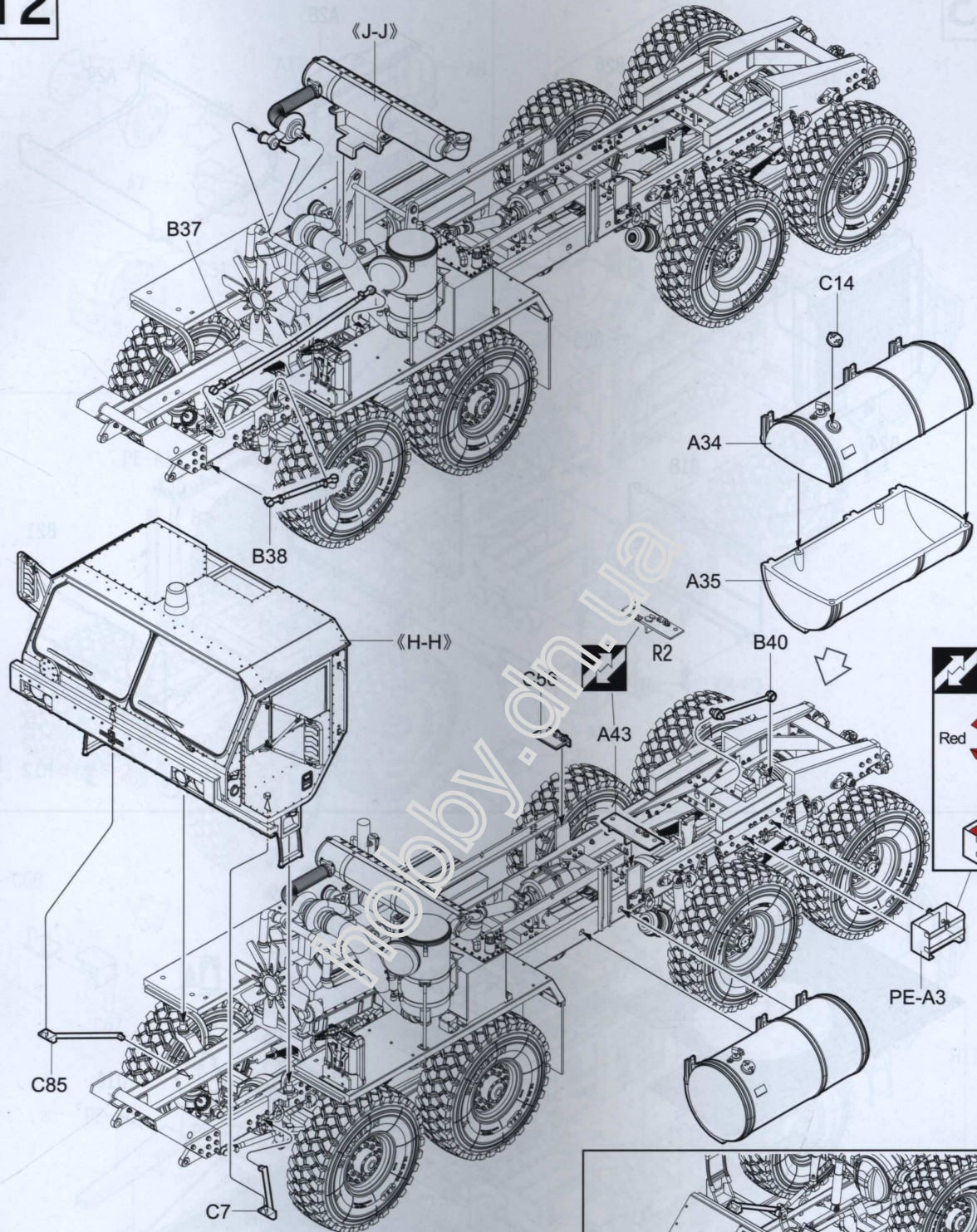
《輪胎 I》
Tyre I



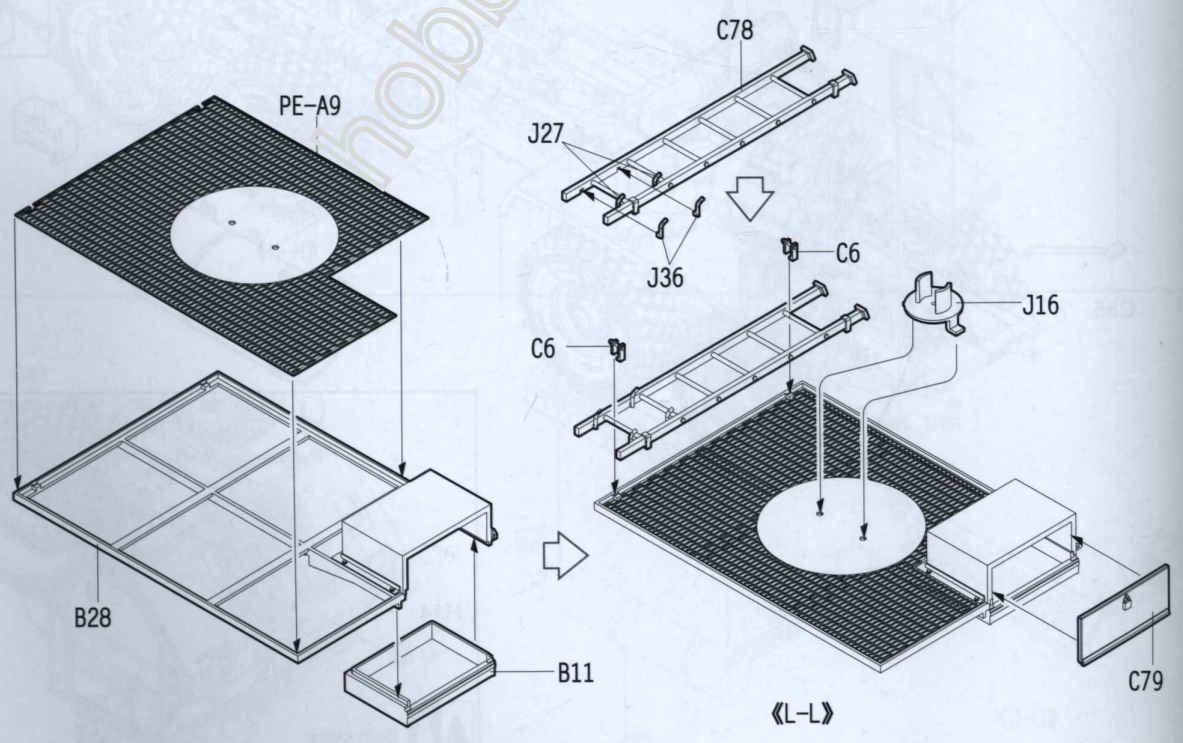
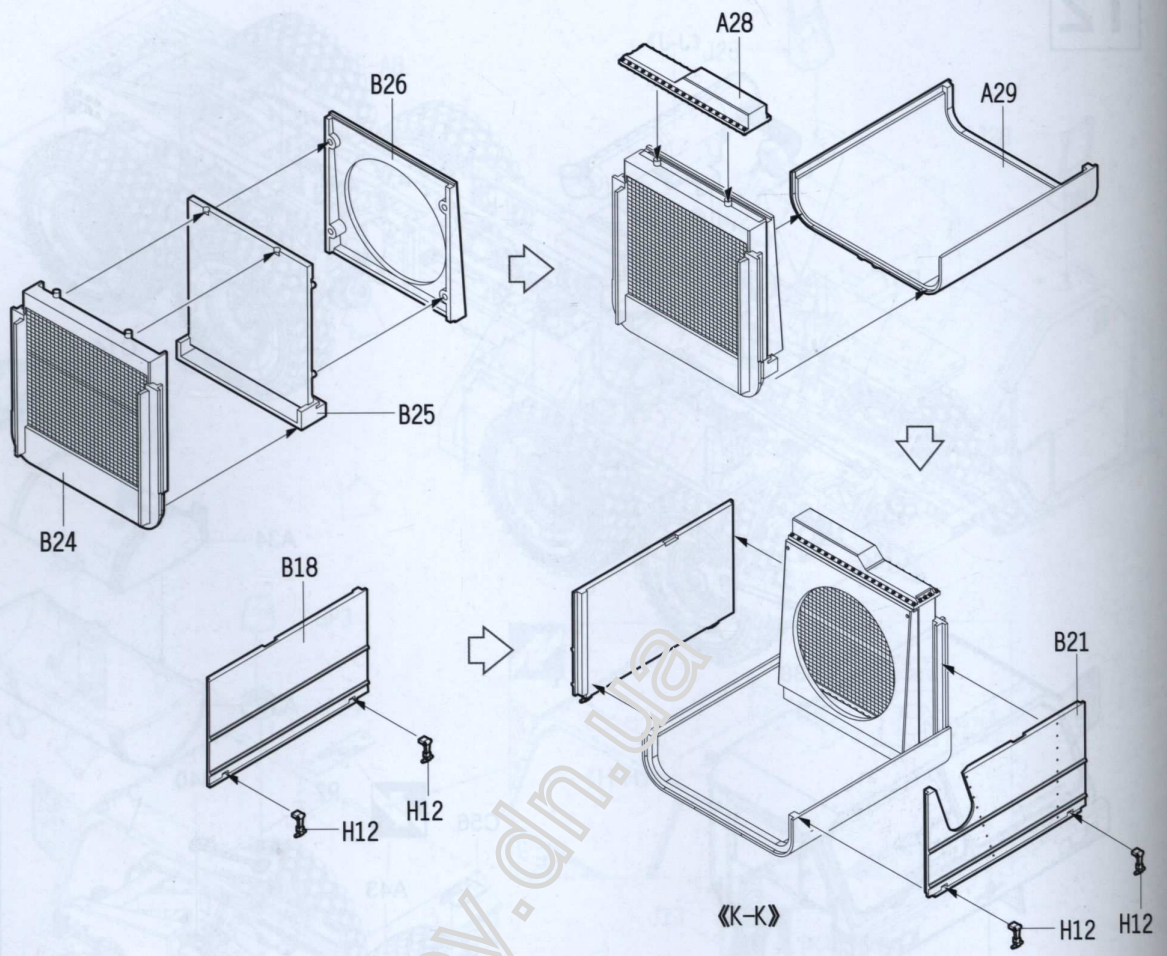
Both sides
對側相同

11

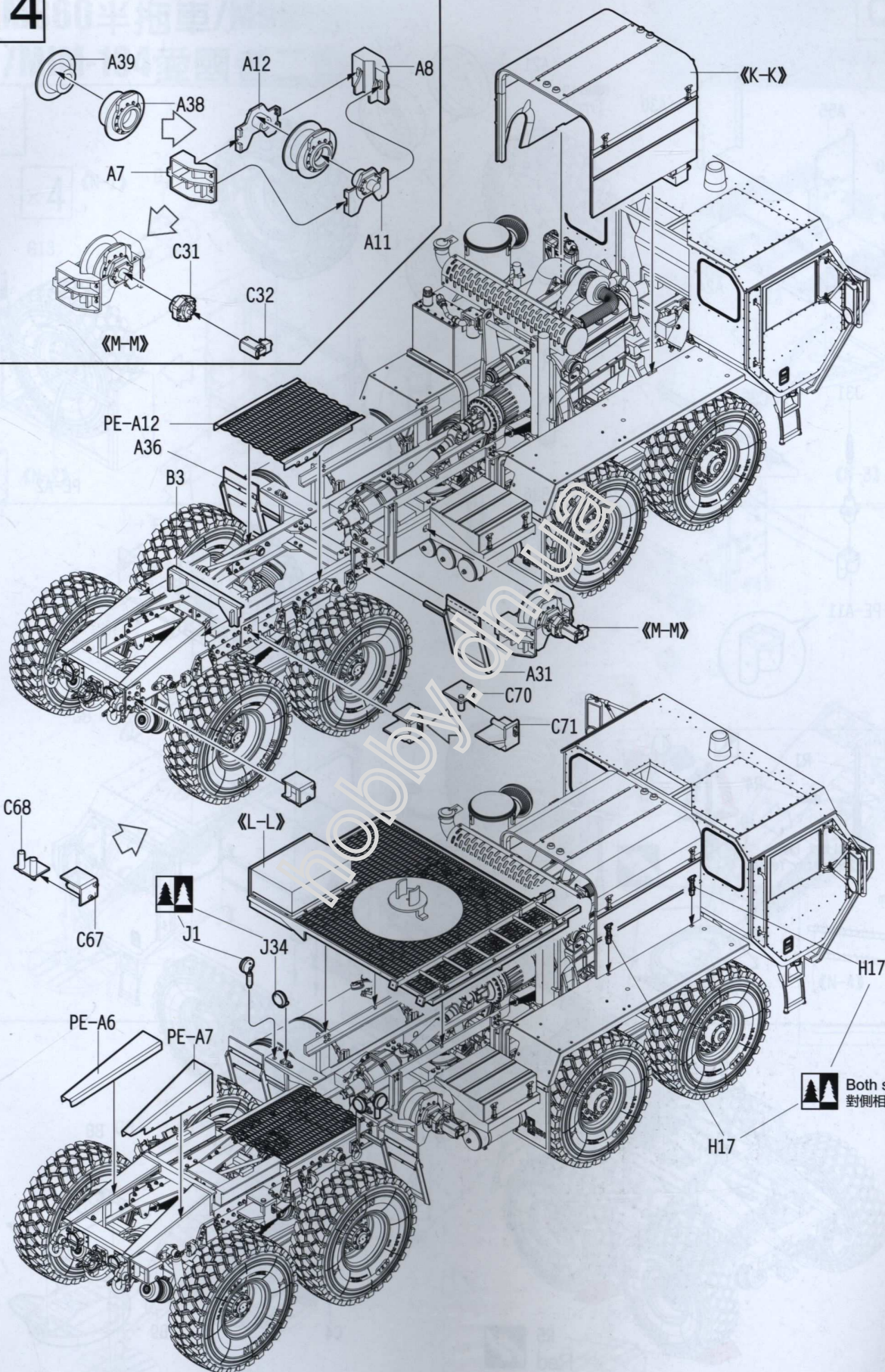
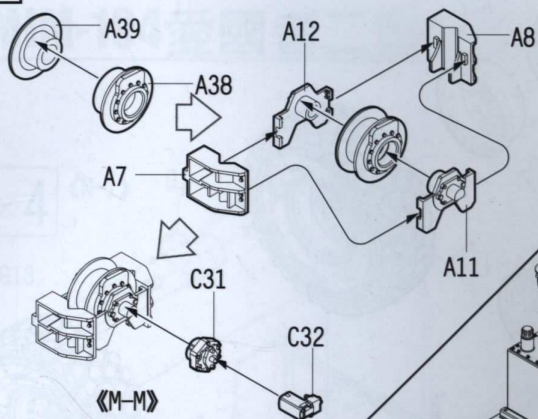




13

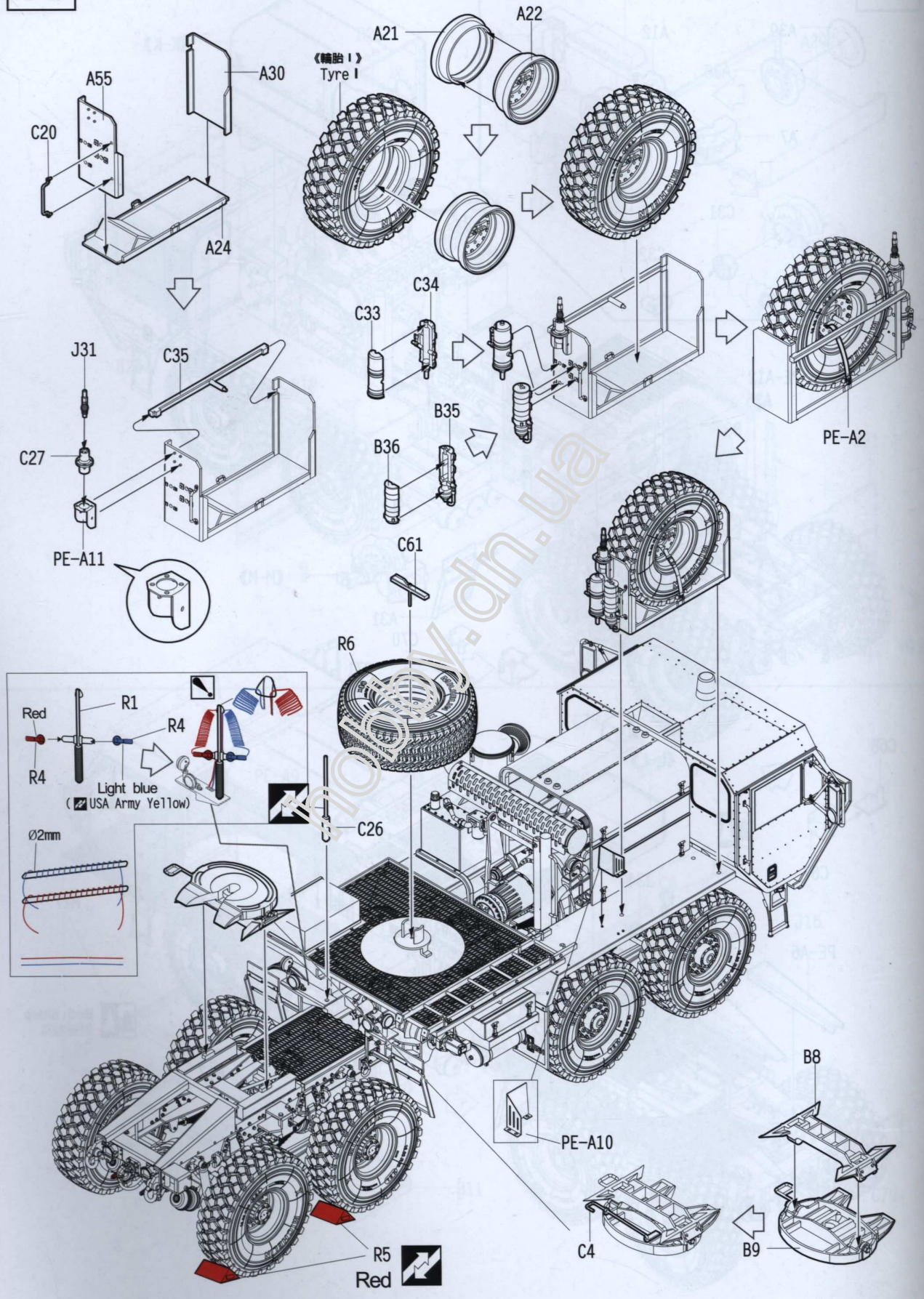


14



Both sides
對側相同

15



M860 Semi-Trailer/M901 Launching Station of MIM-104

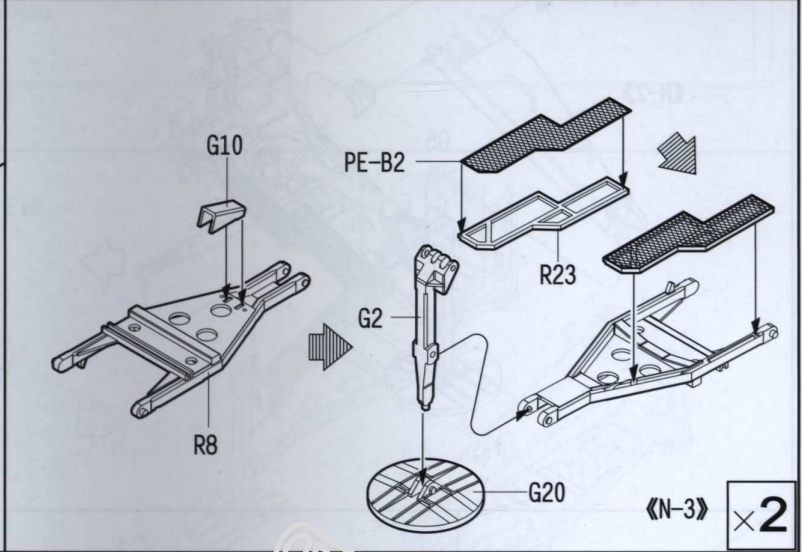
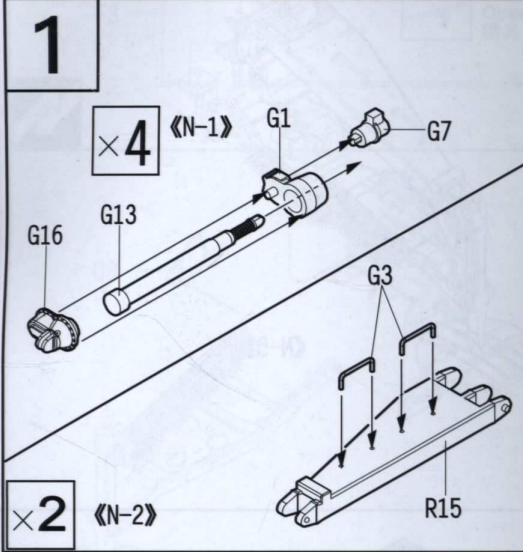
M860半拖車/M901發射箱

/MIM-104愛國者二型防空飛彈



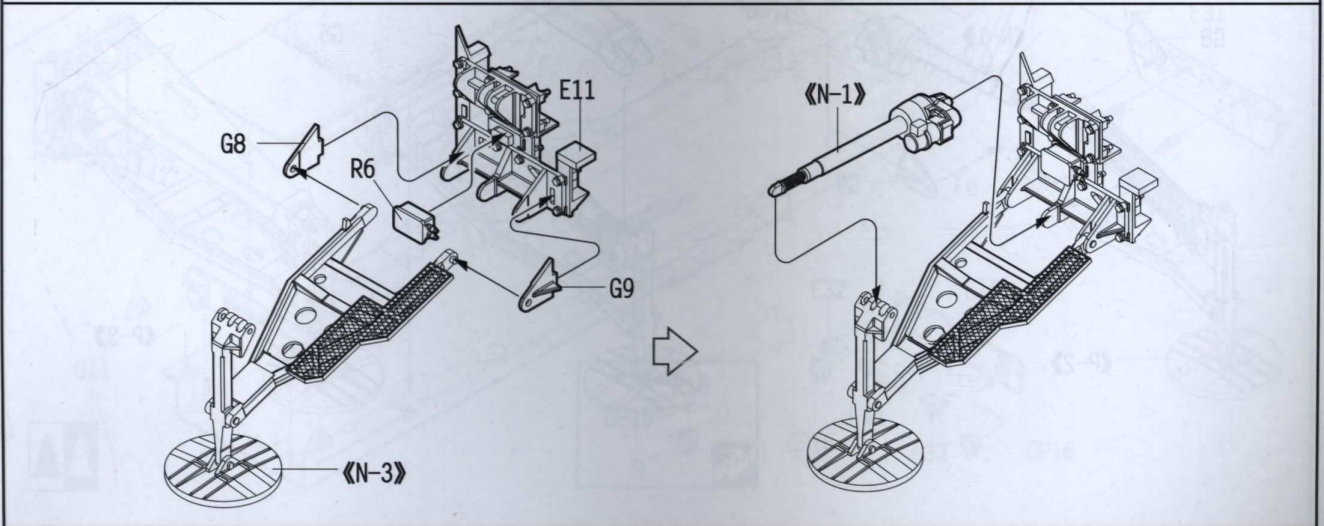
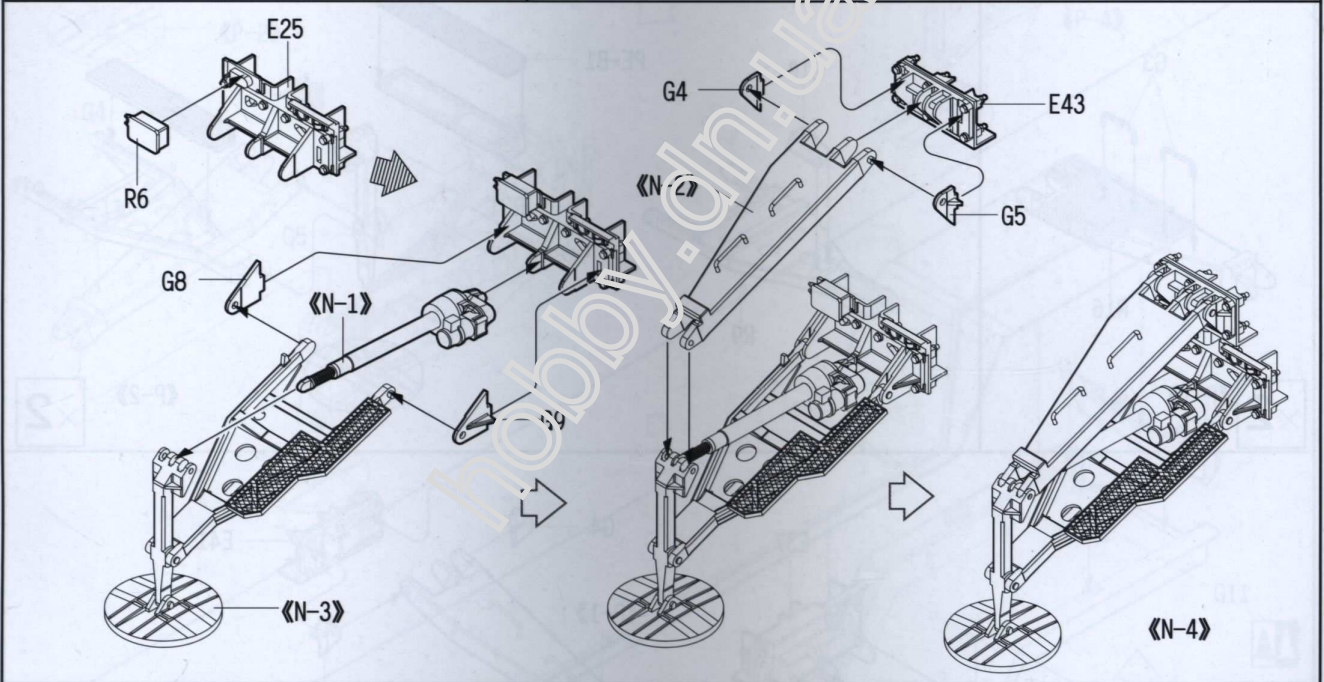
PAC-2

1

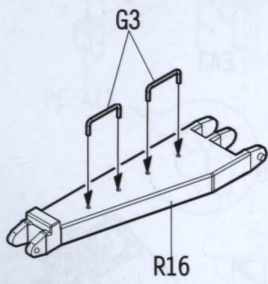
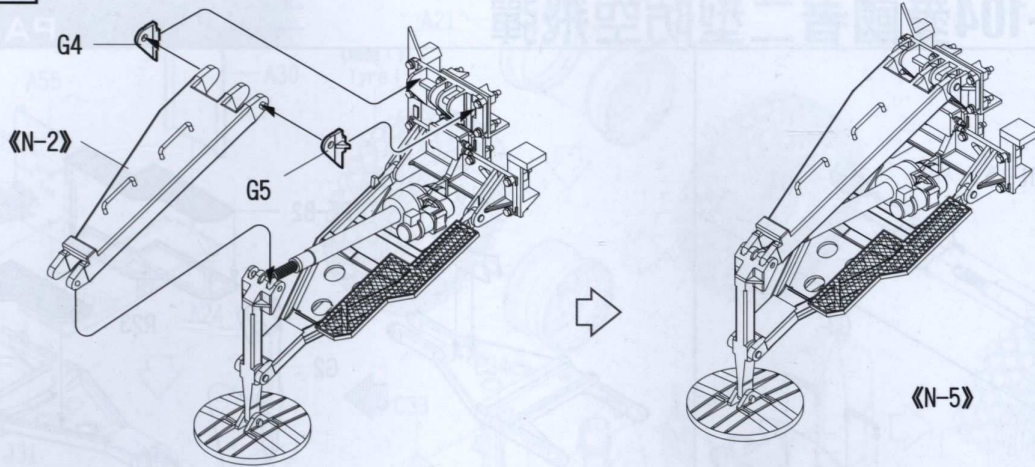


×2 《N-2》

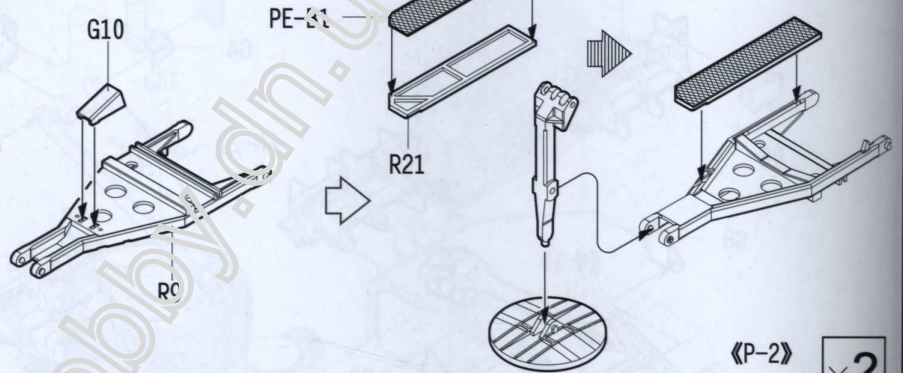
×2 《N-3》



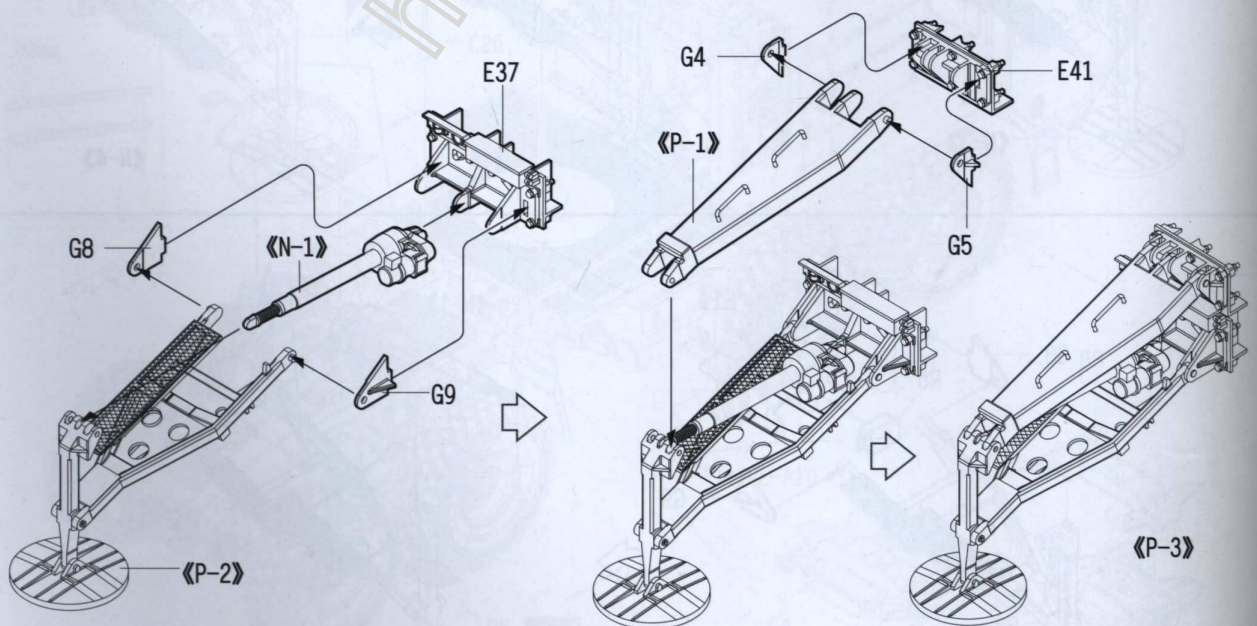
2



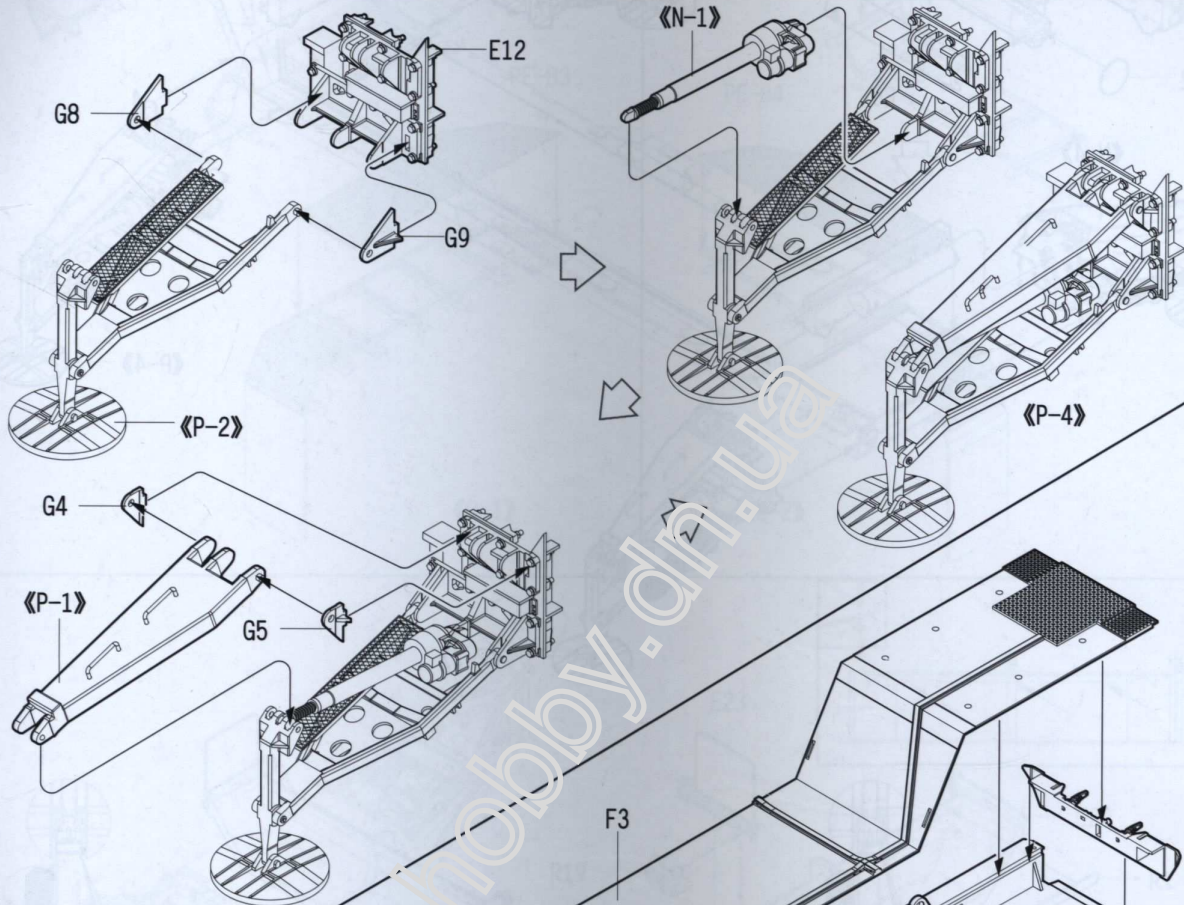
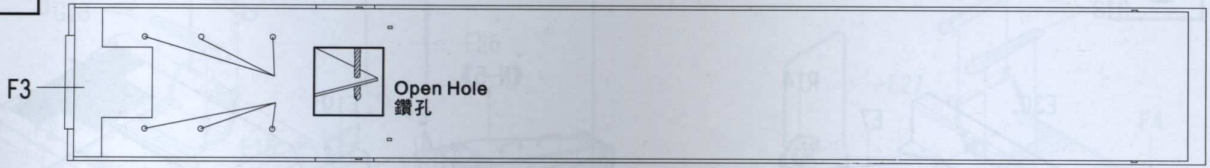
×2 <P-1>



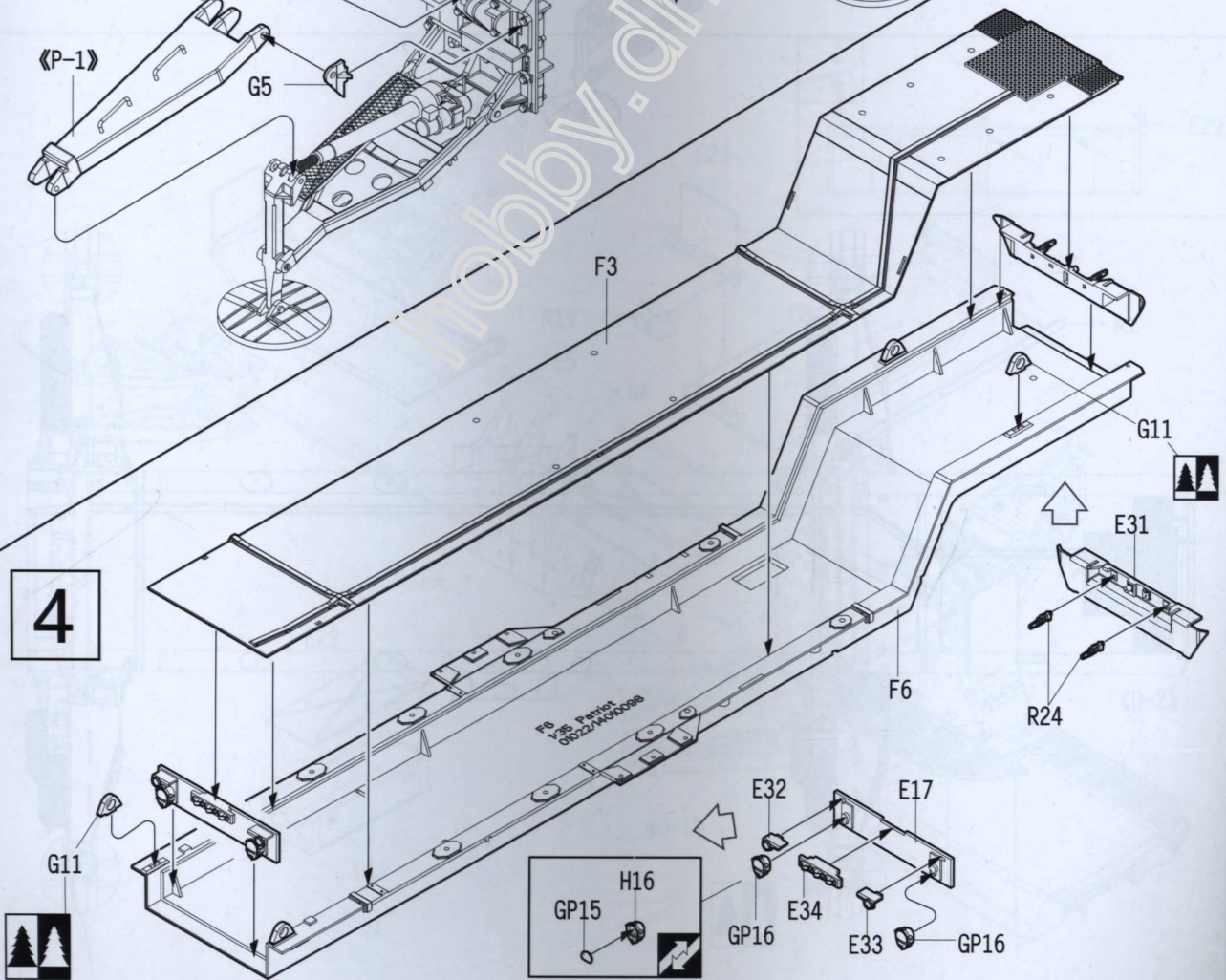
<P-2> ×2



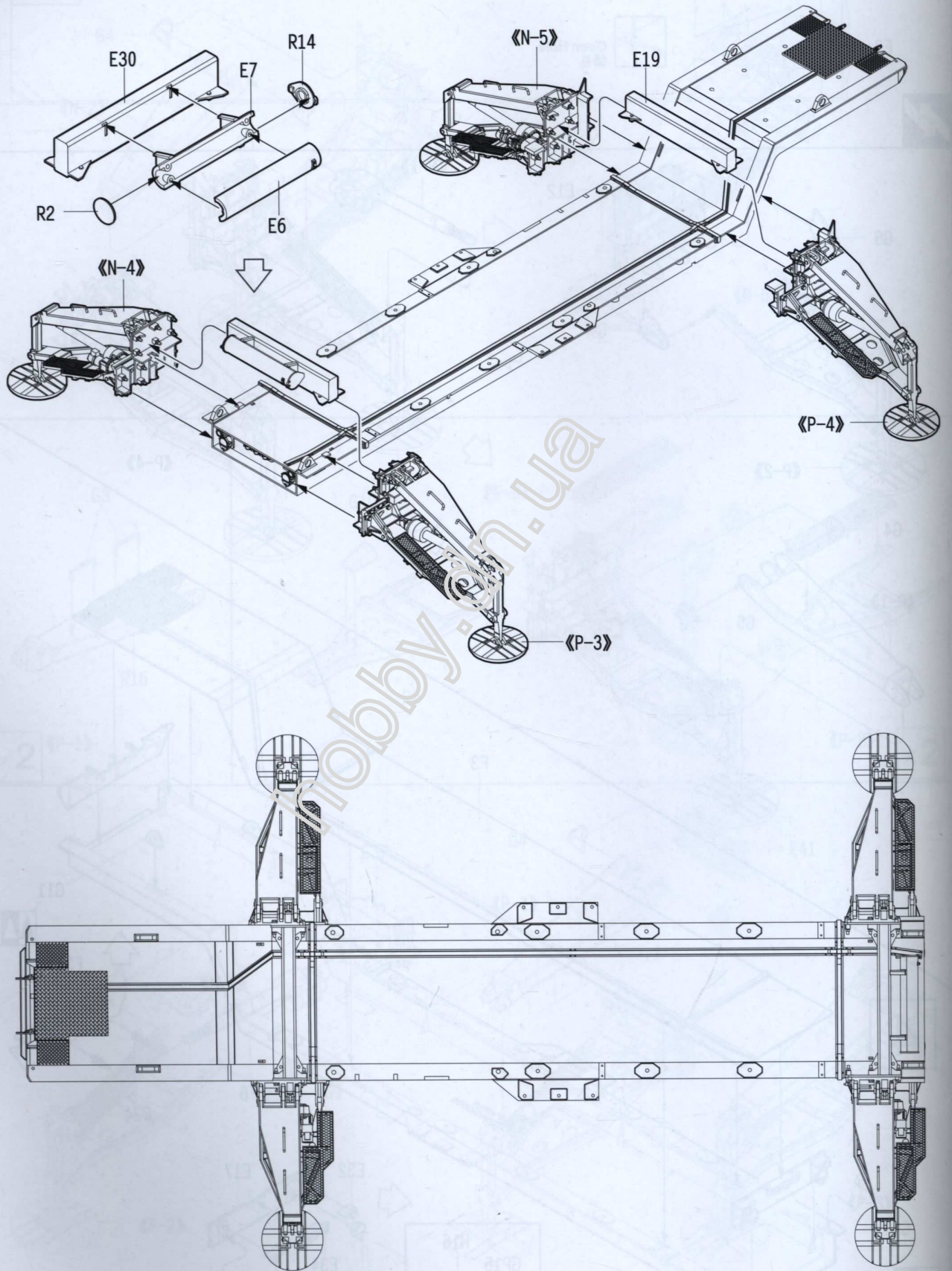
3



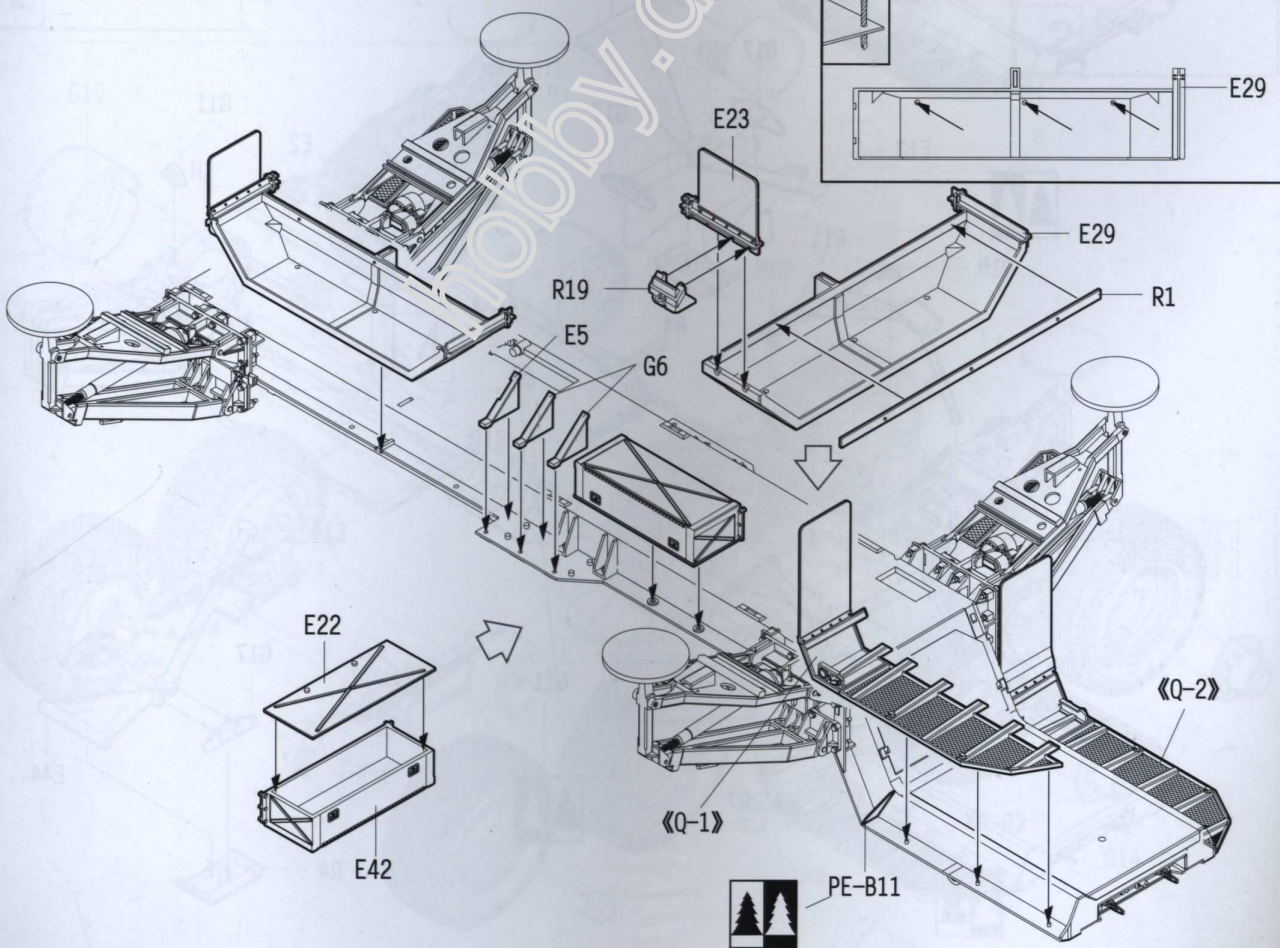
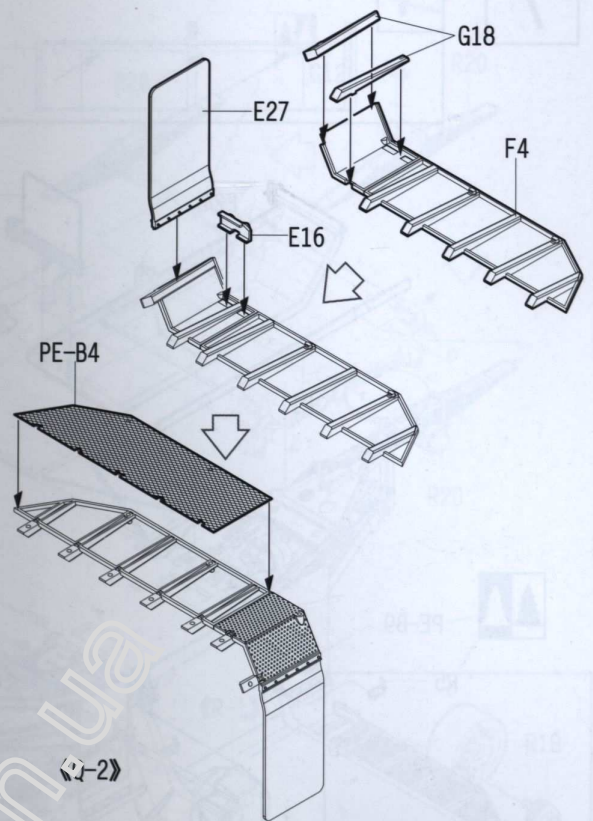
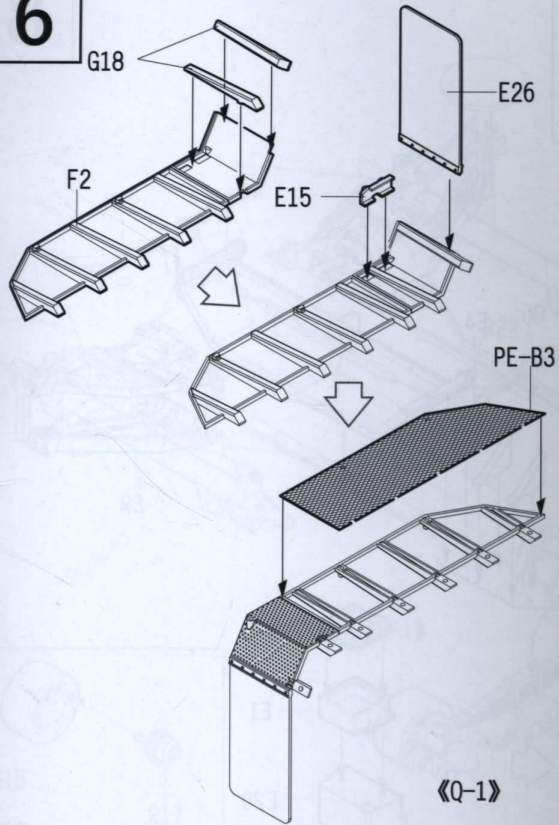
4



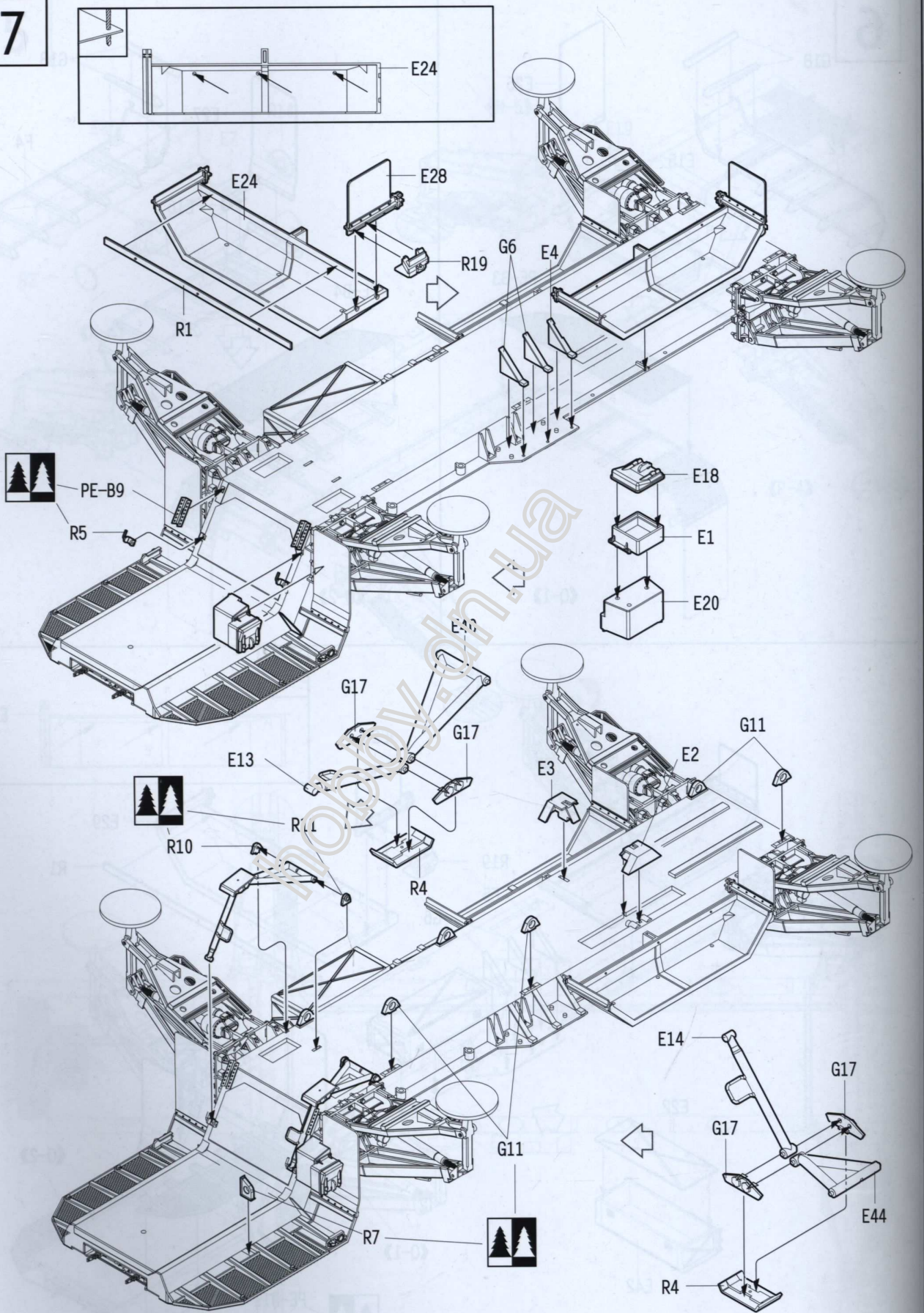
5



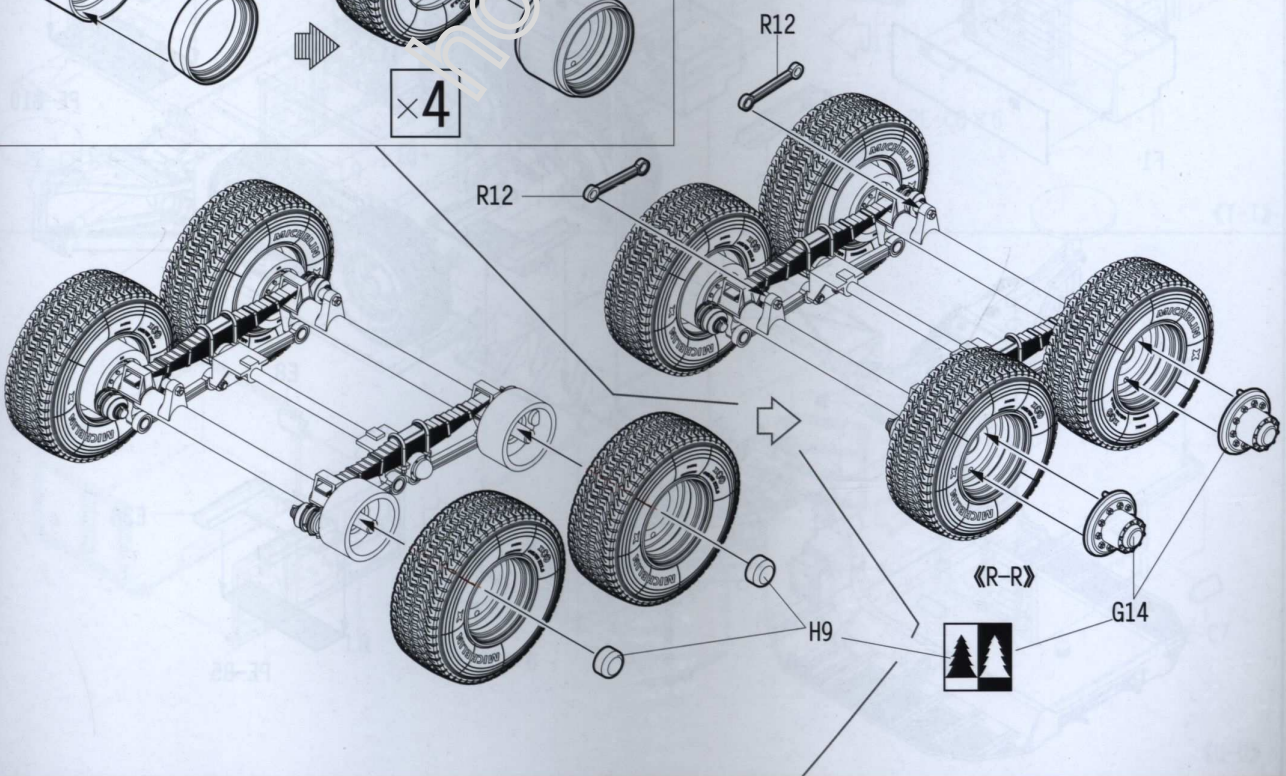
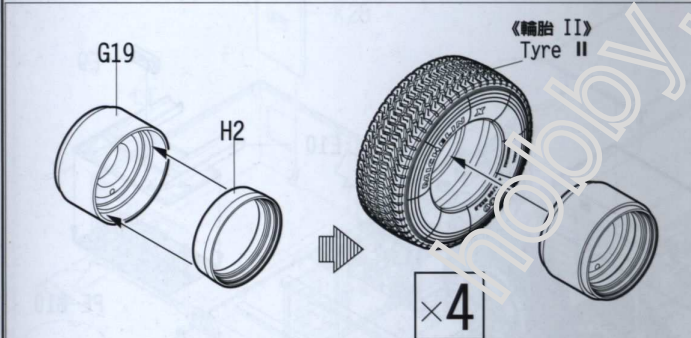
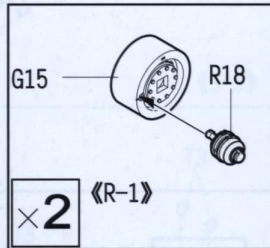
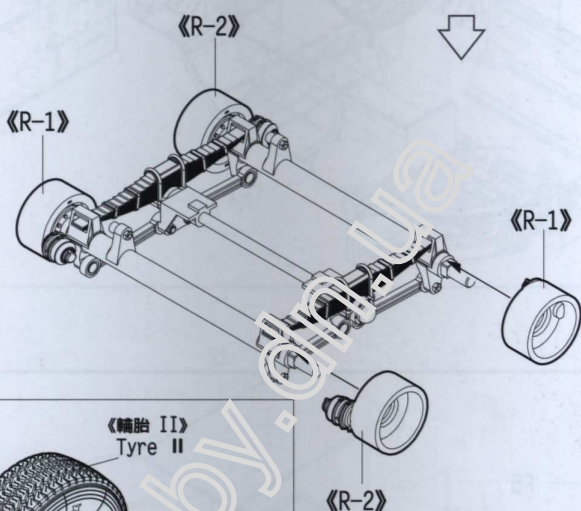
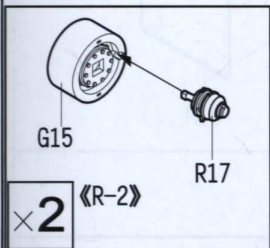
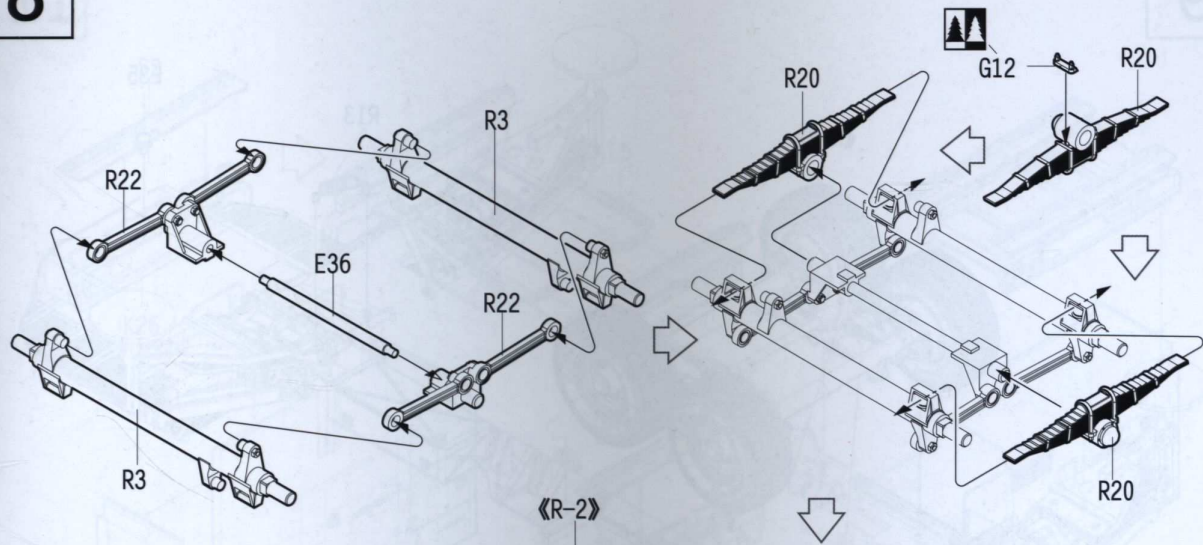
6



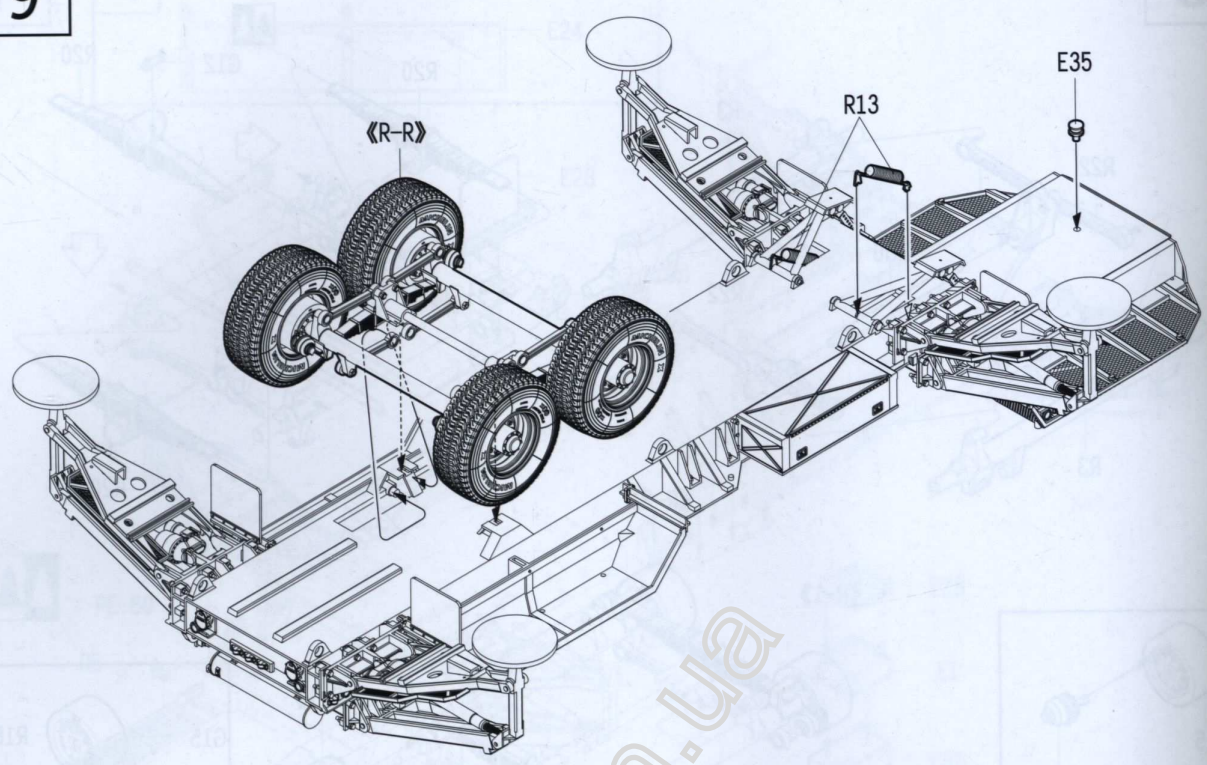
7



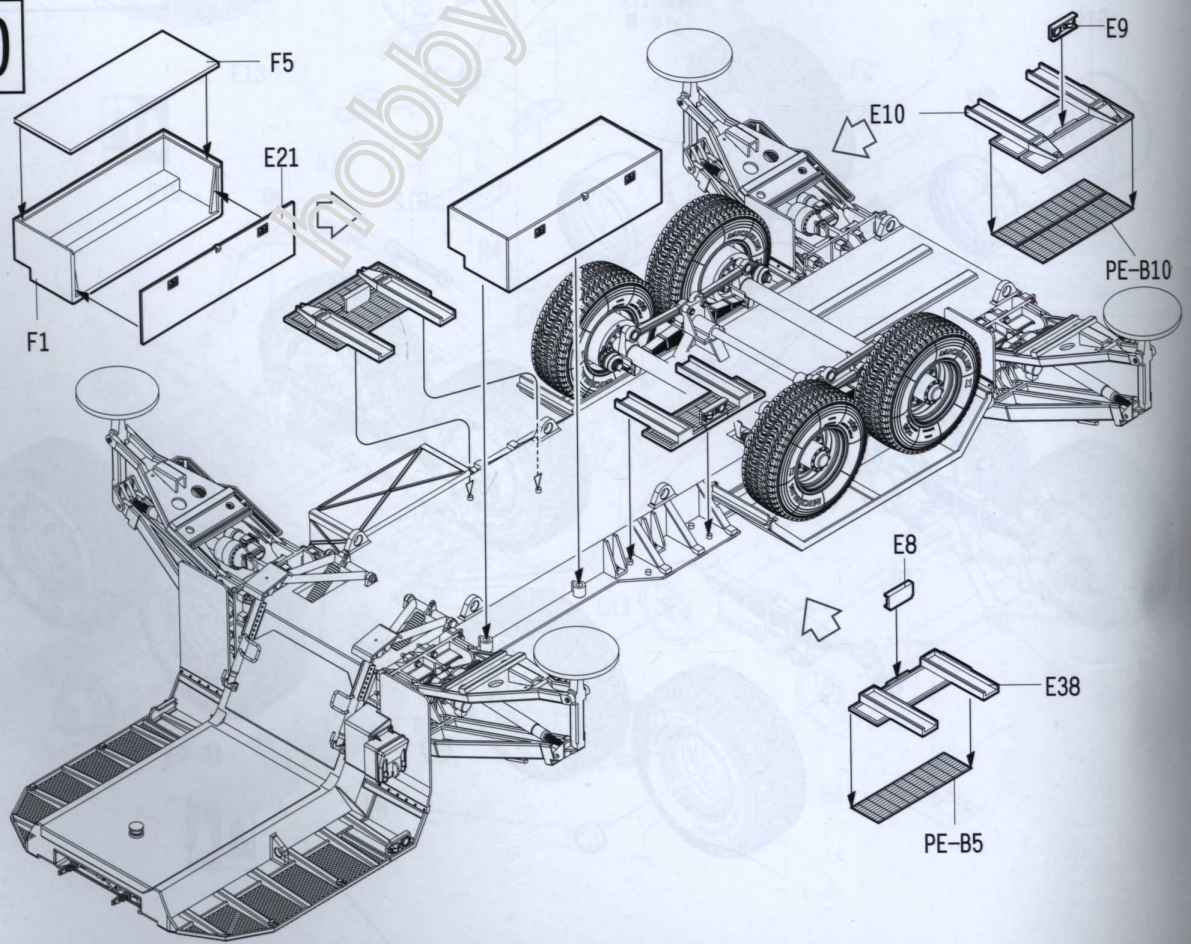
8



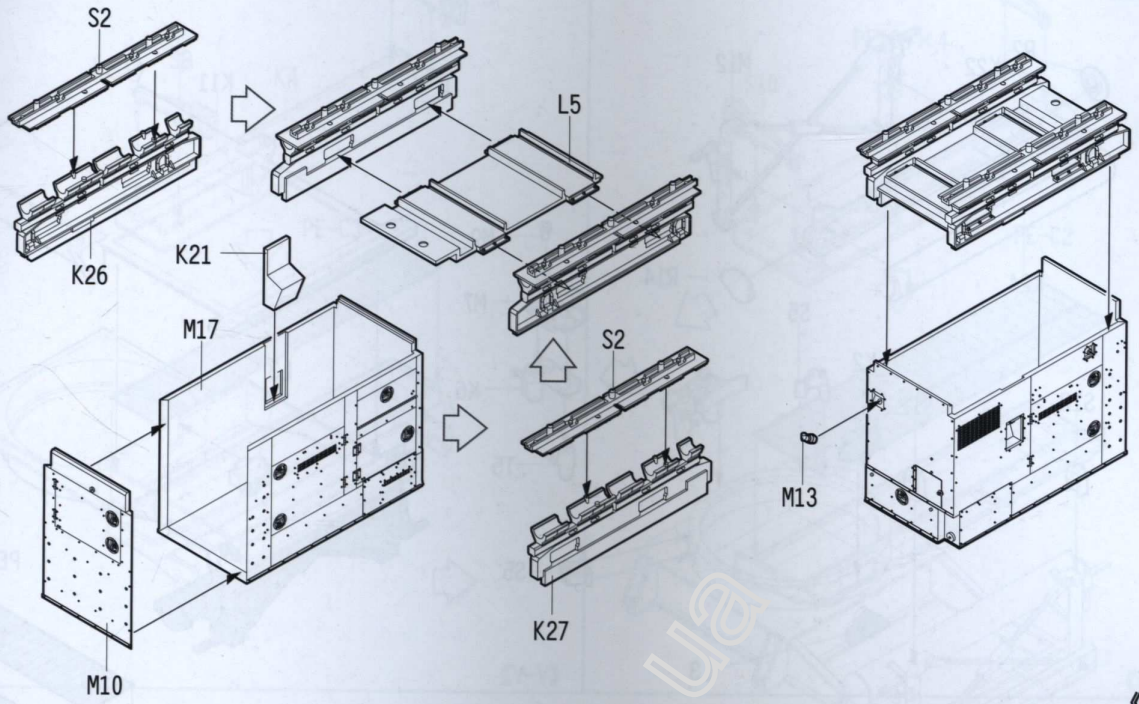
9



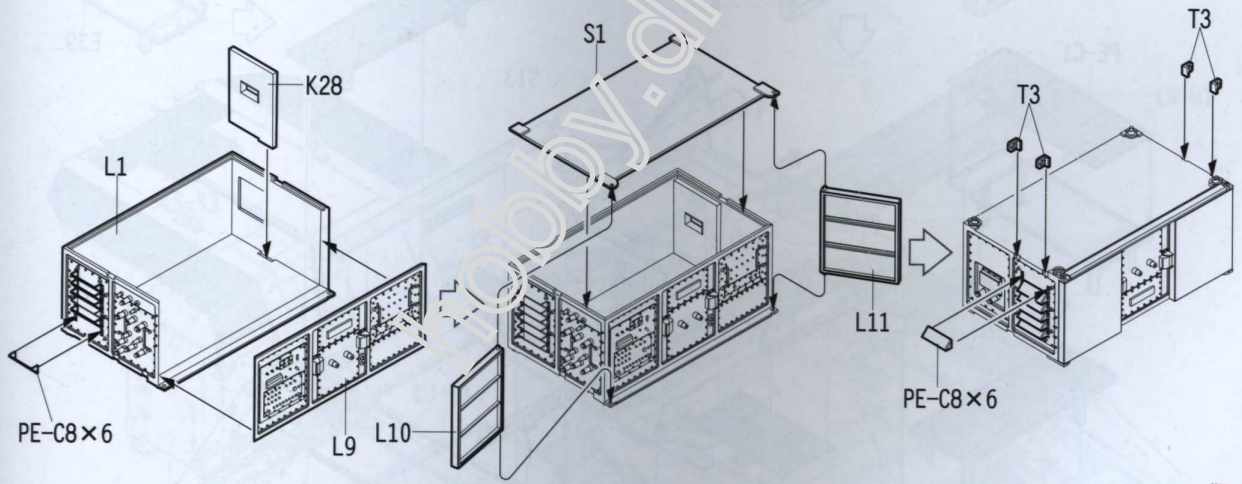
10



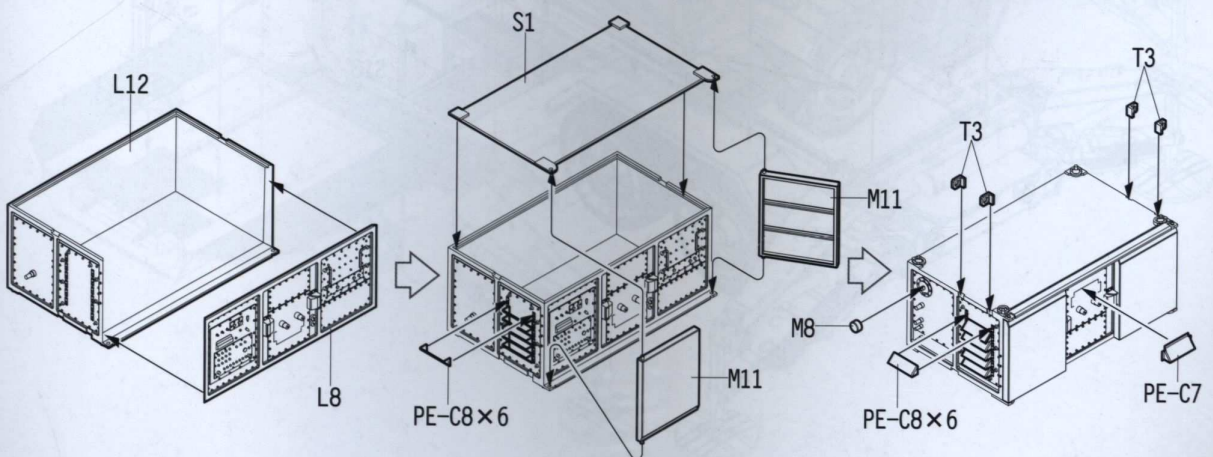
11



«S-S»

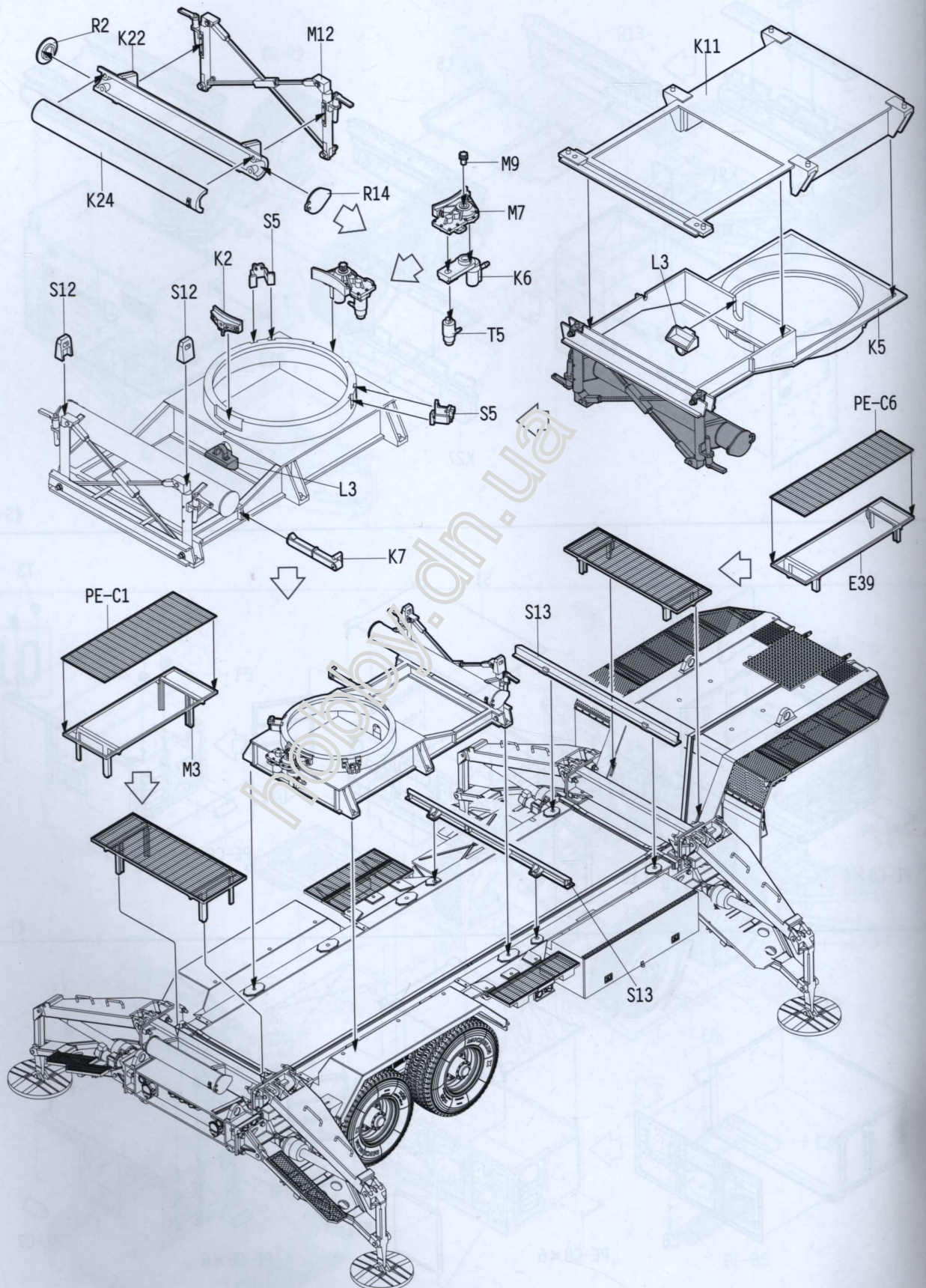


«T-T»

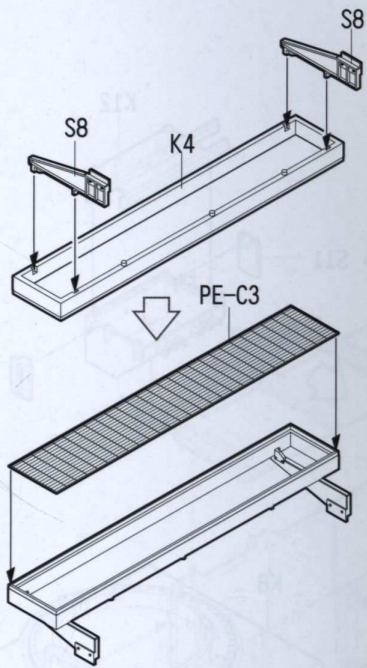


«U-U»

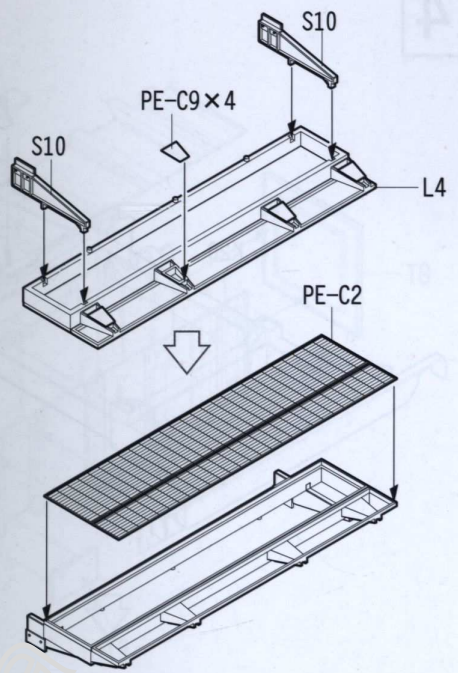
12



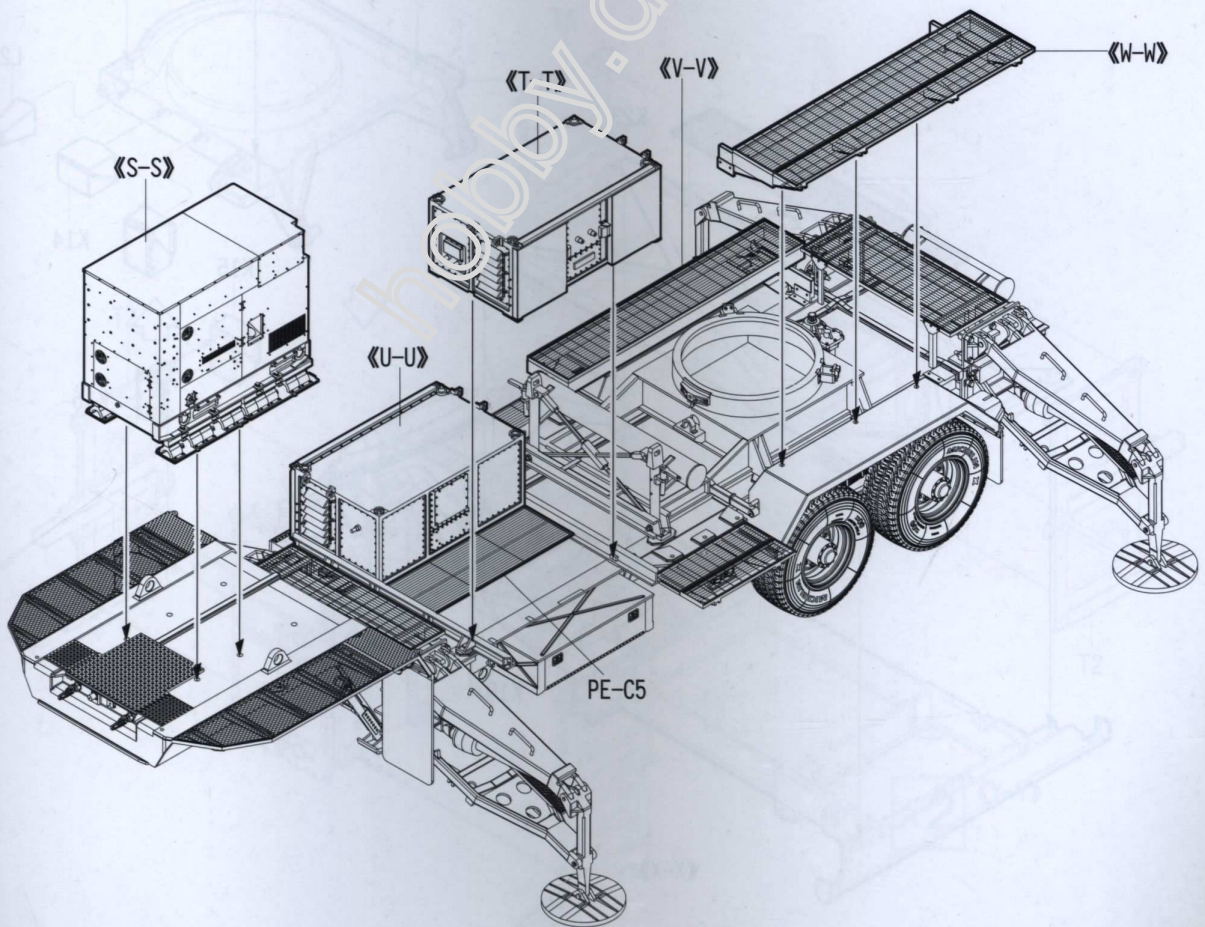
13



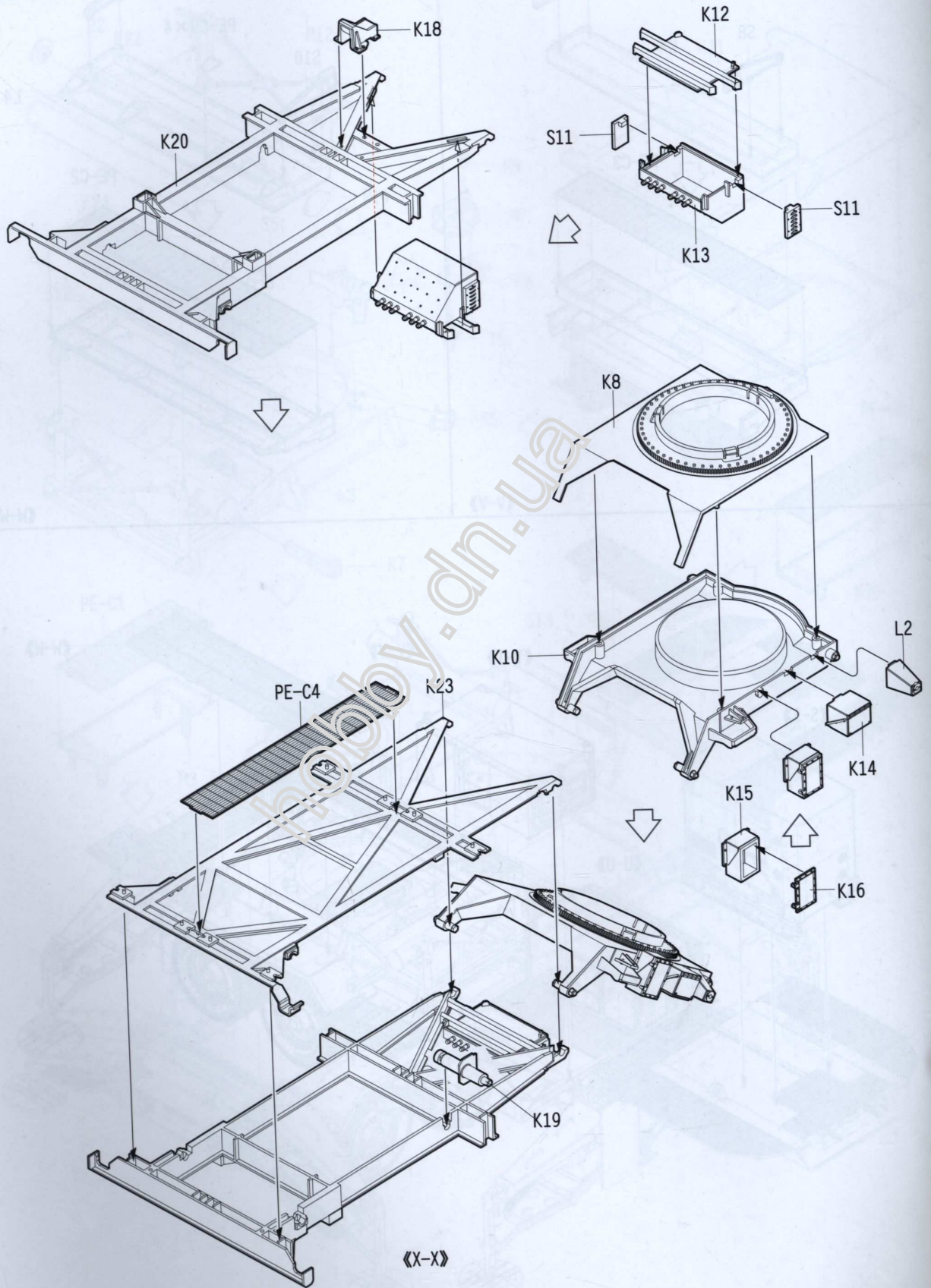
《V-V》



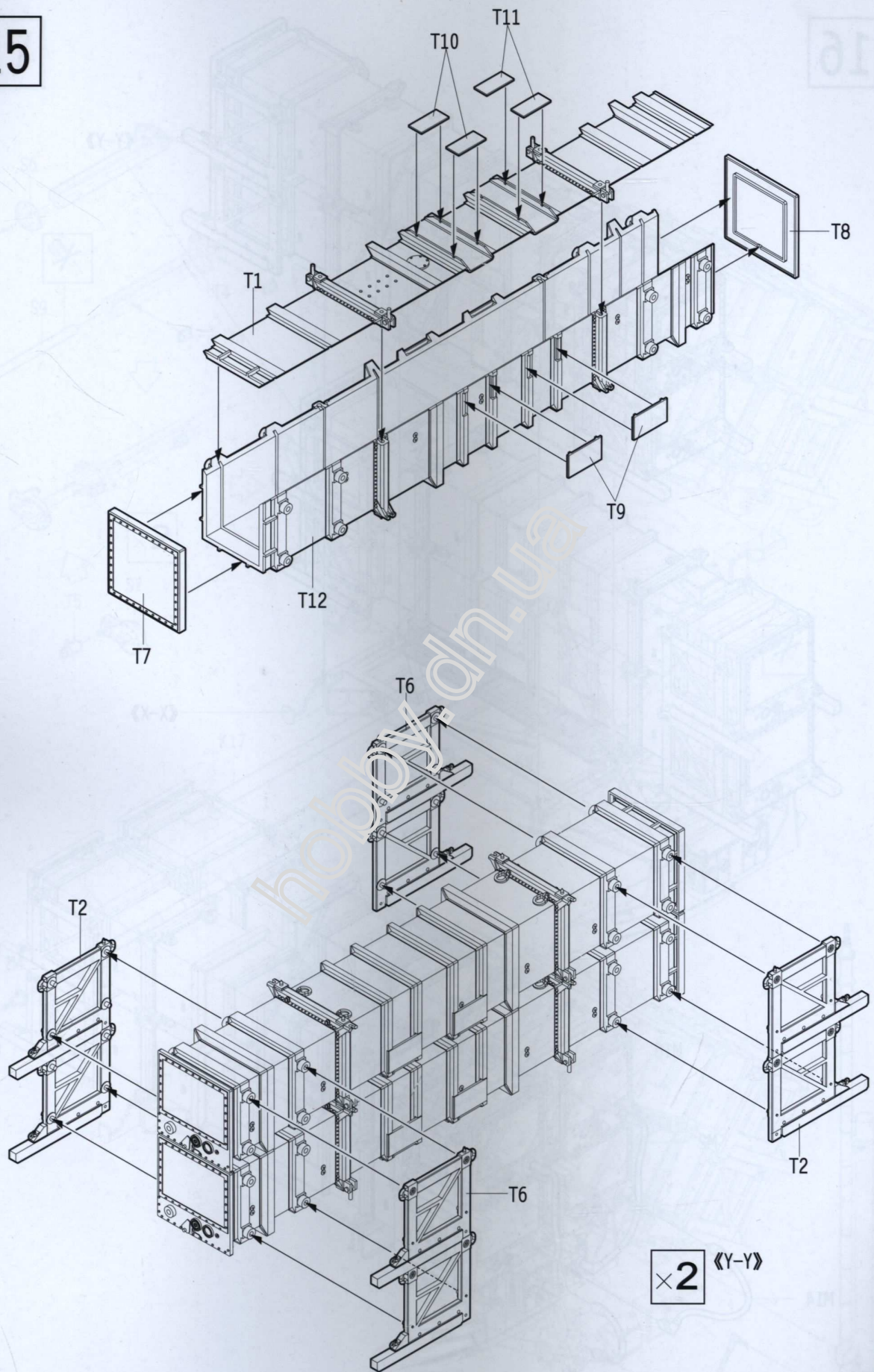
《W-W》



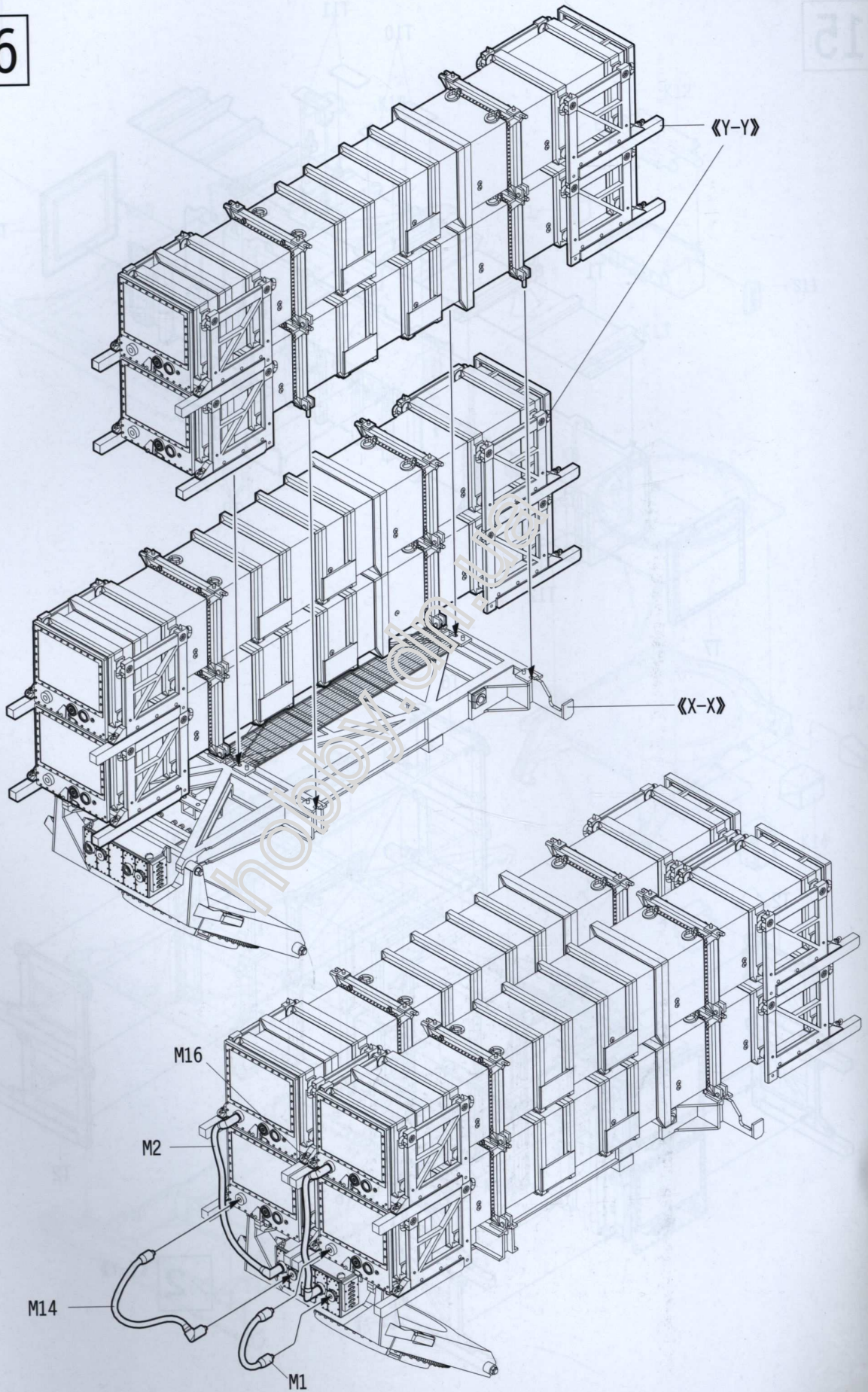
14



15

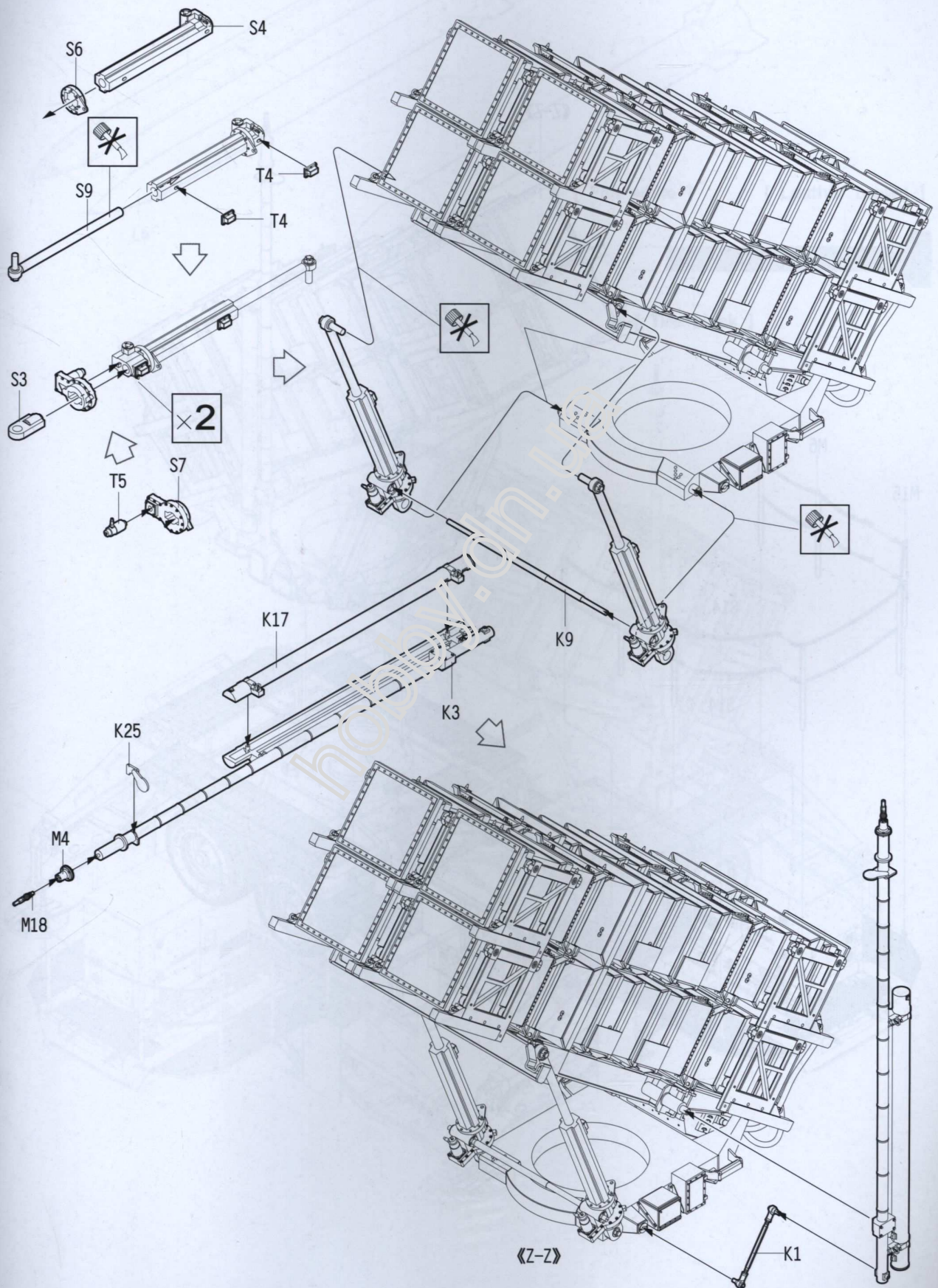


16

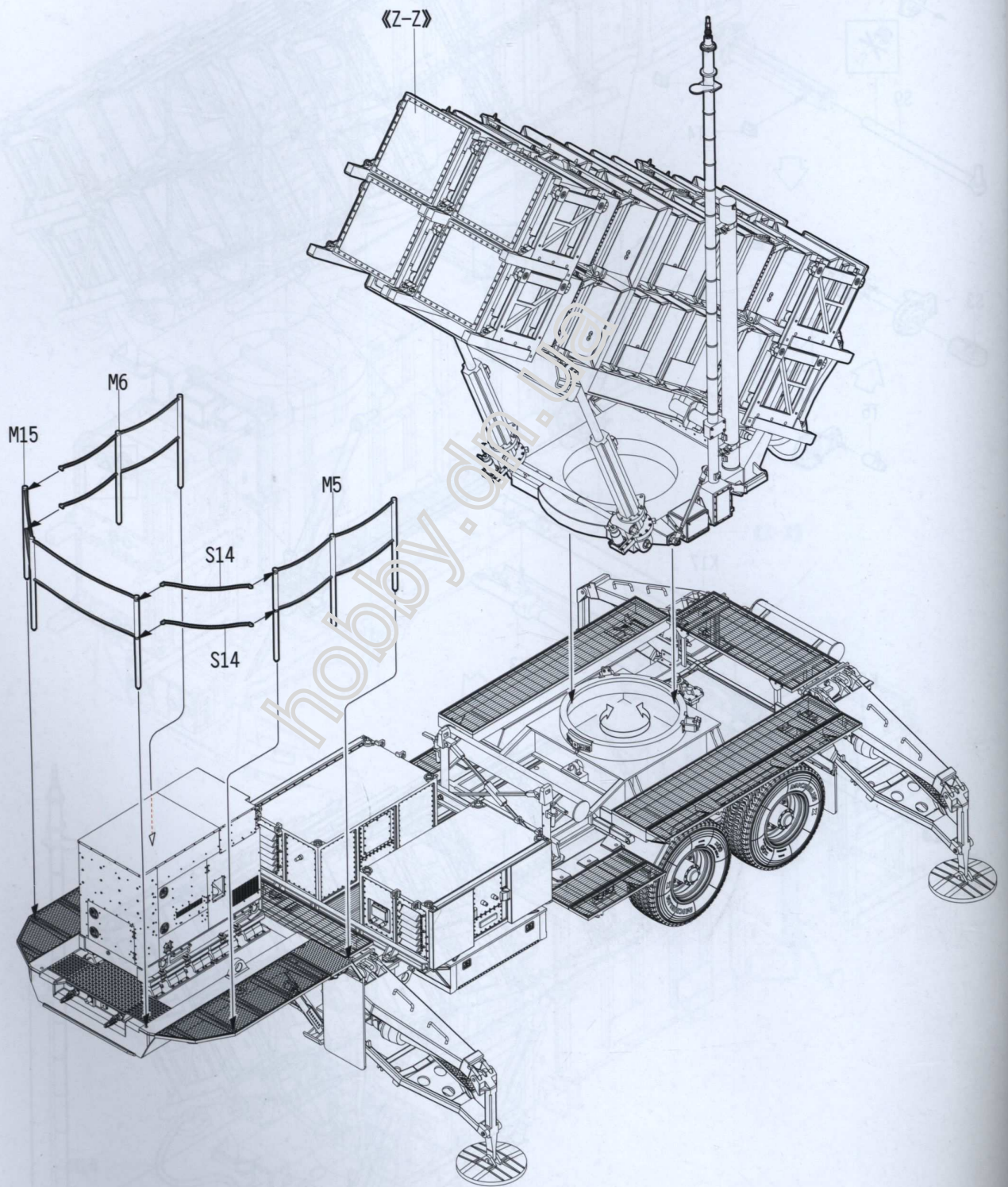


17

81



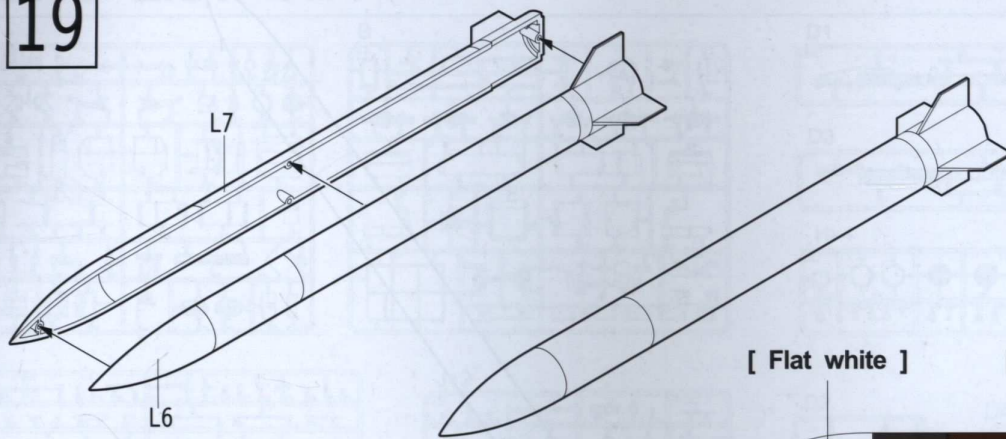
18



19

LIST 零件表

05

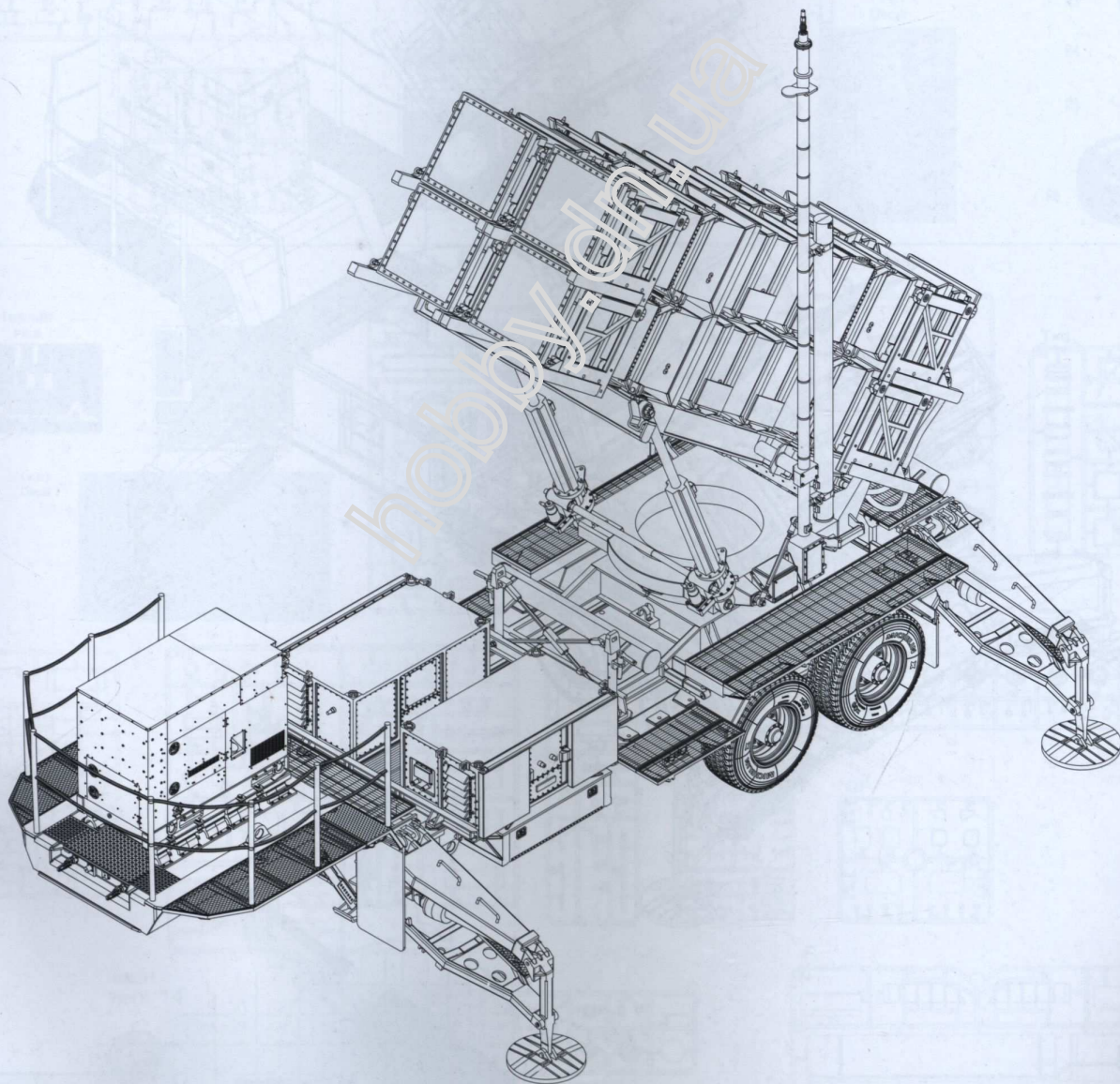


[Flat white]

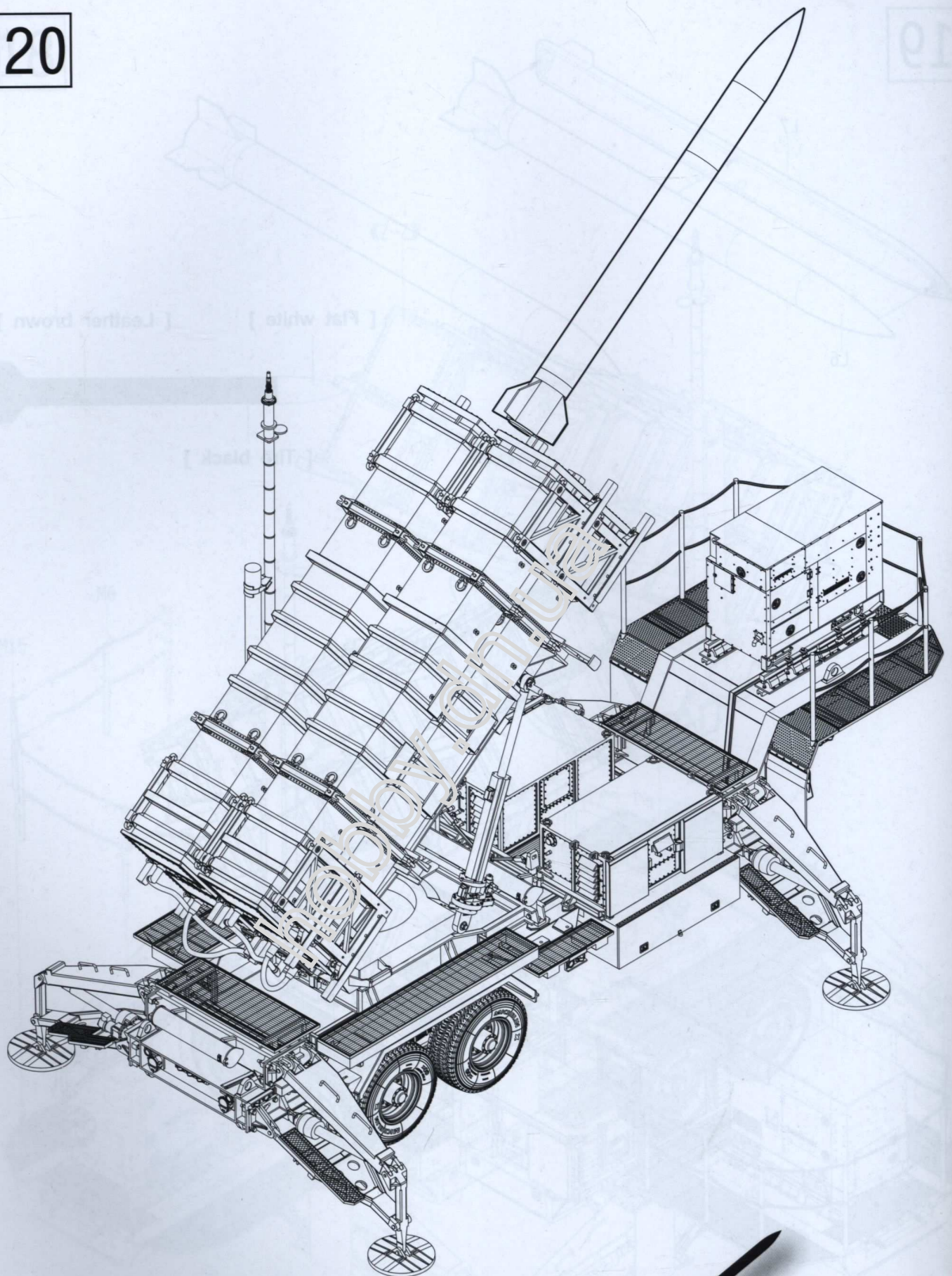
[Leather brown]



[Tire black]

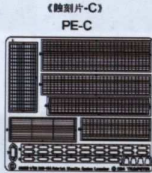
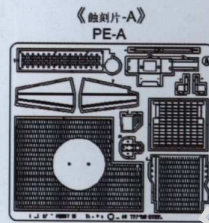
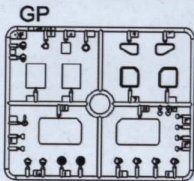
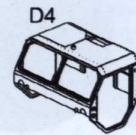
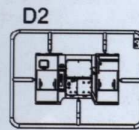
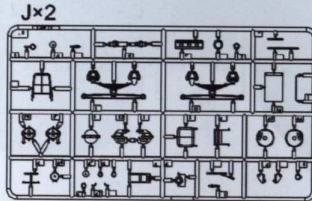
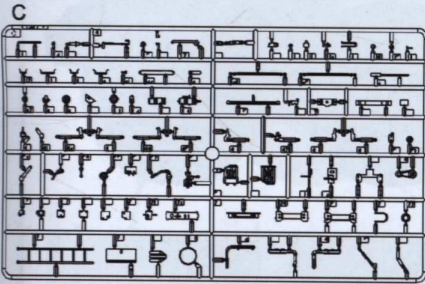
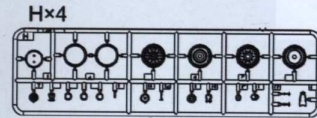
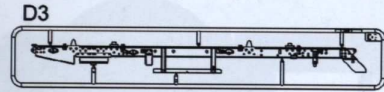
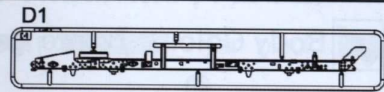
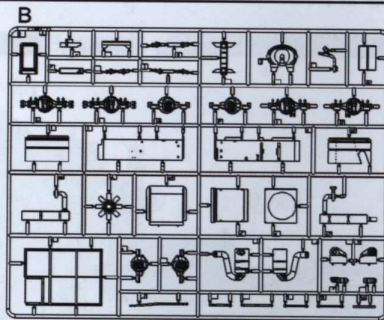
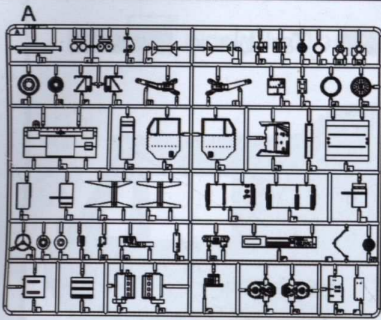


20

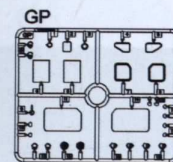
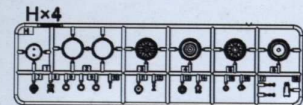
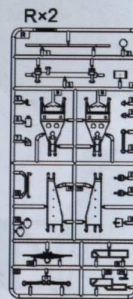
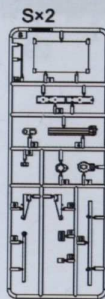
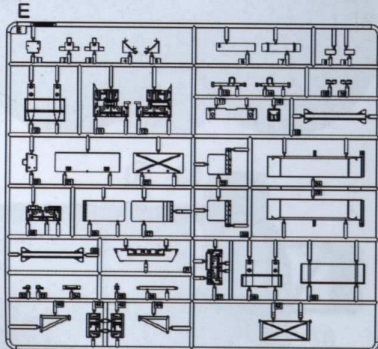
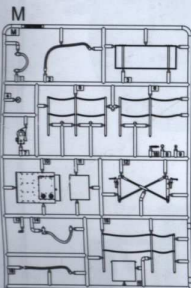
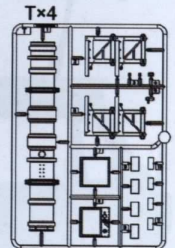
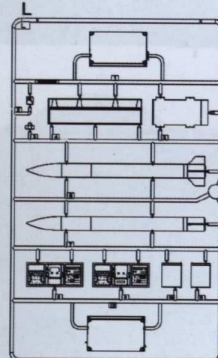
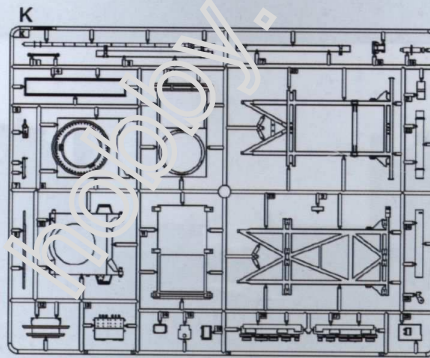
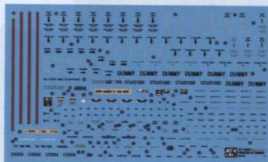


PAC-2

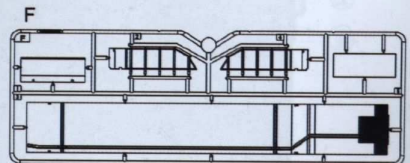
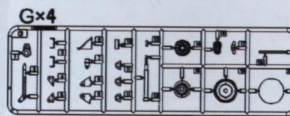
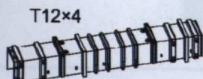
PARTS LIST 零件表







(水貼)
Decal

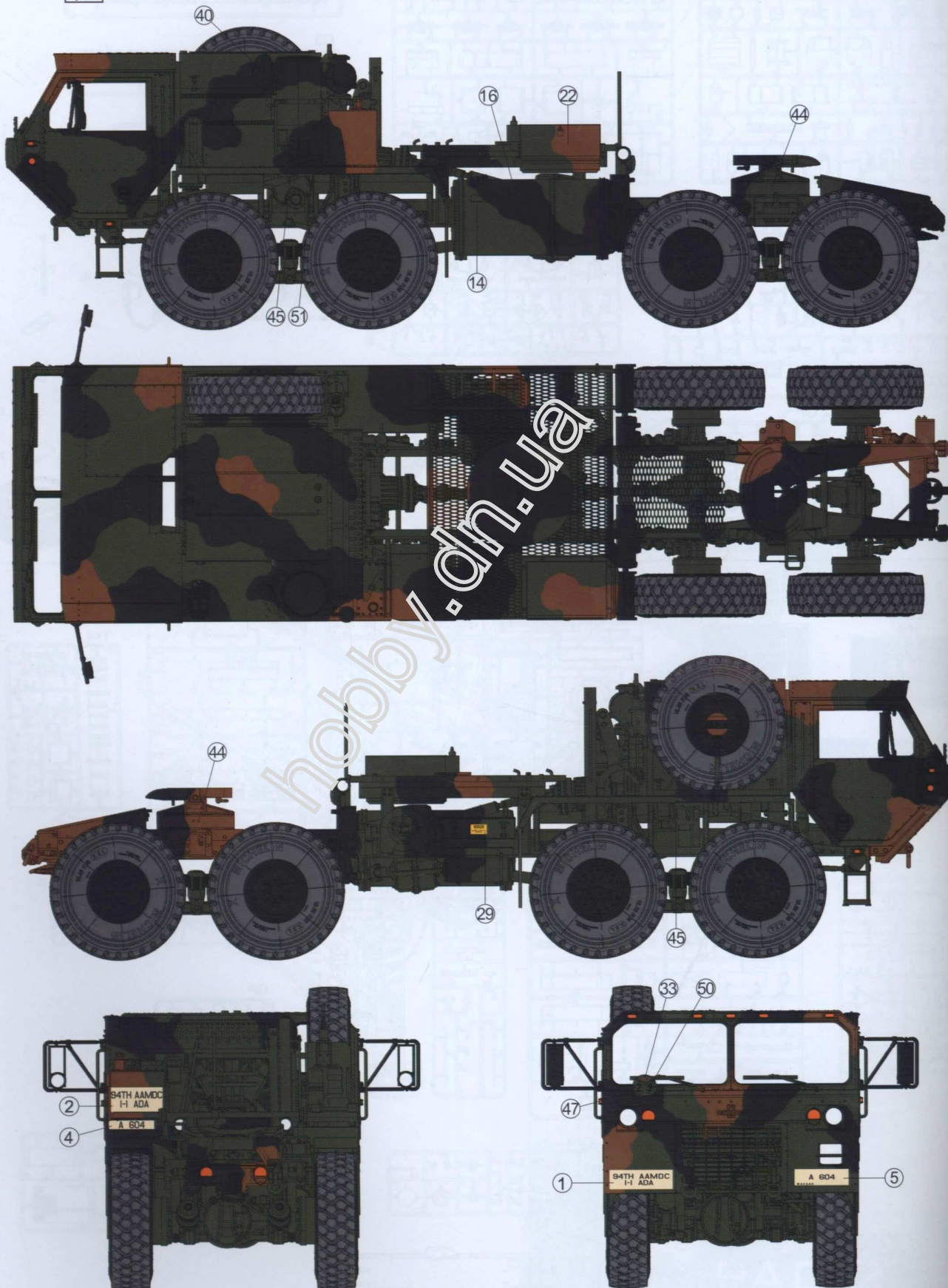


(輪胎 II)
Tyre II x 4



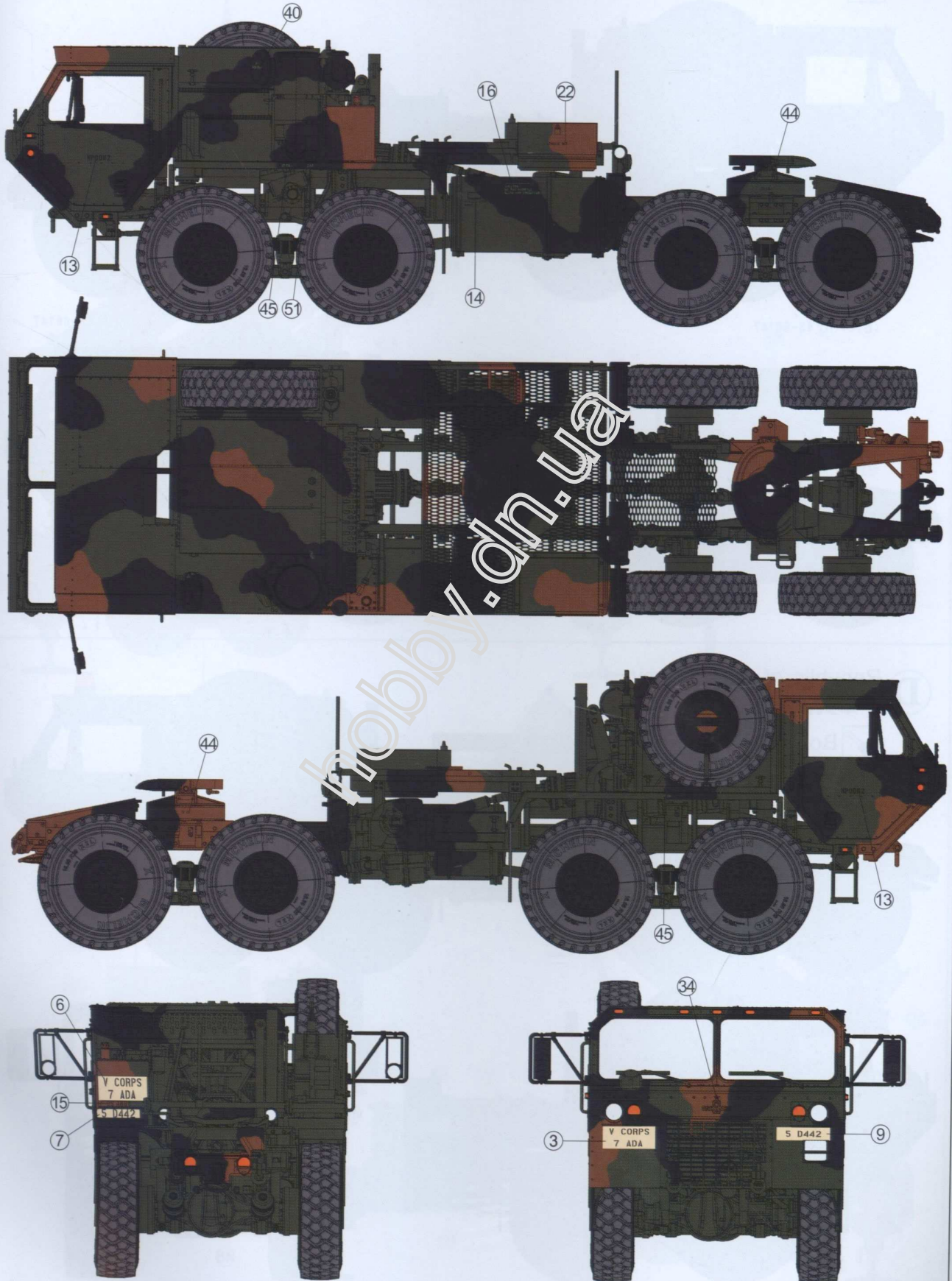
A 94th Army Air and Missile Defense Command, Kadena Air Base.
 第94陸軍空中與飛彈防禦司令部,嘉手納基地。

 Body Color: Bronze green  Leather brown  Tar black 



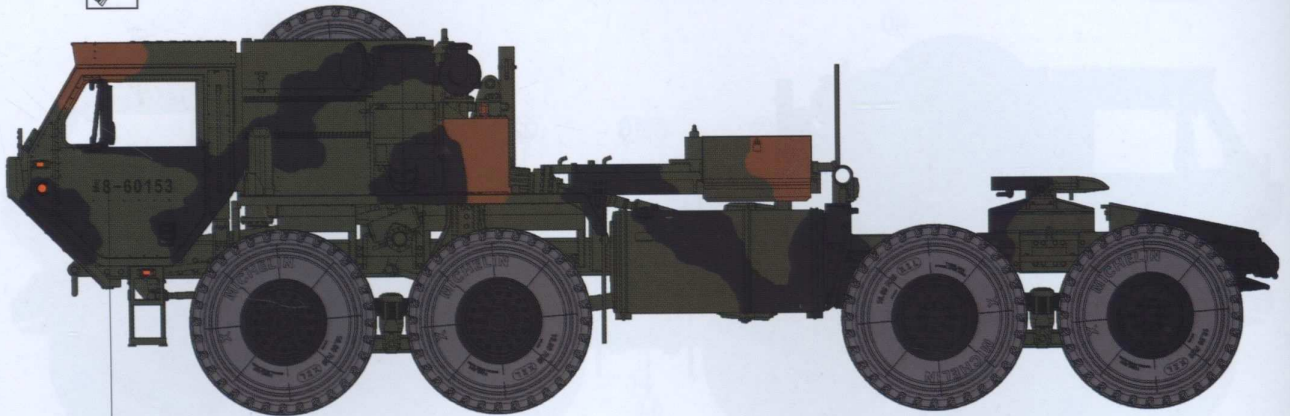
B 7th Air Defense Artillery Regiment.
第七防空砲兵團。

Body Color: Bronze green ■ Leather brown ■ Tar black ■



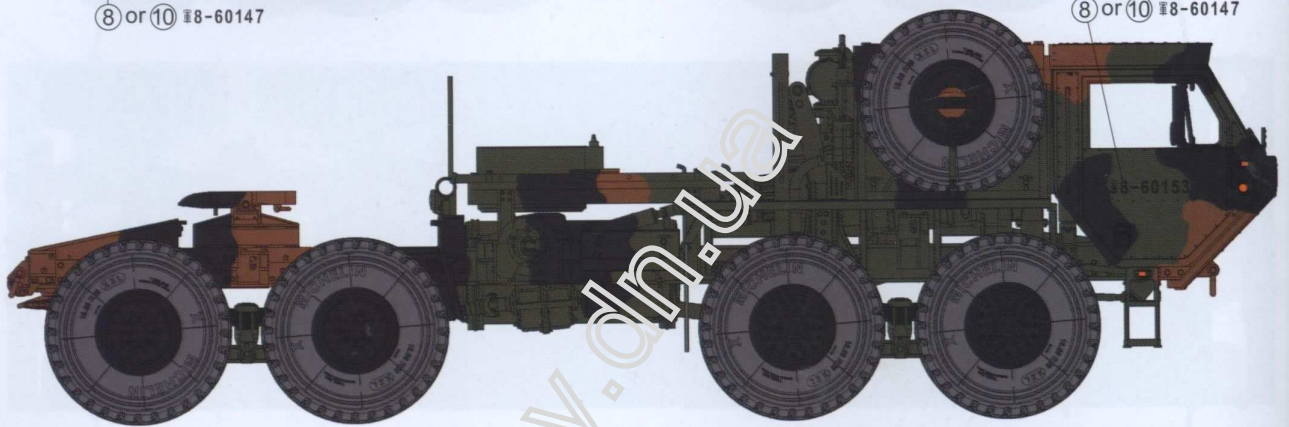
C Republic of China Army.
中華民國陸軍。

Body Color: Bronze green ■ Leather brown ■ Tar black ■



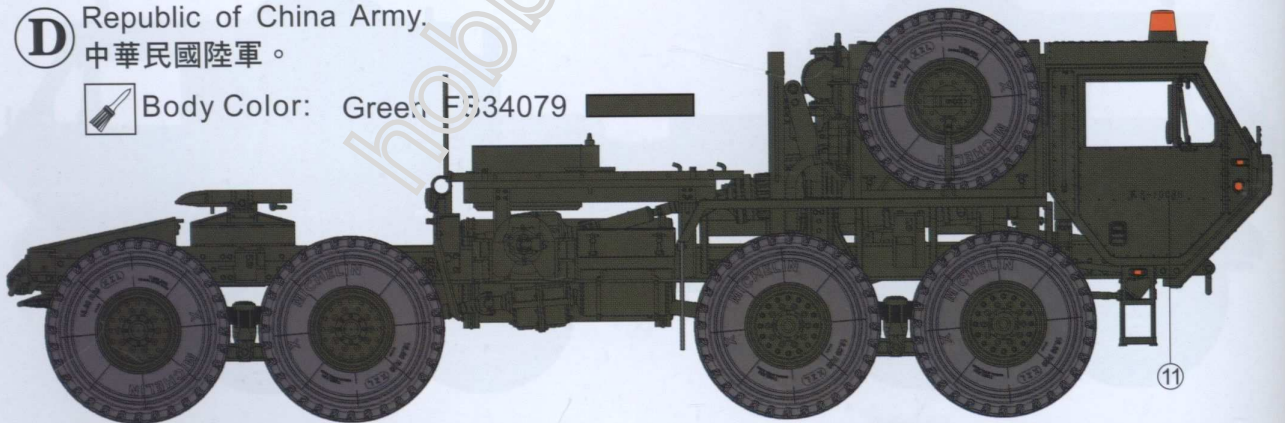
8 or 10 ■8-60147

8 or 10 ■8-60147

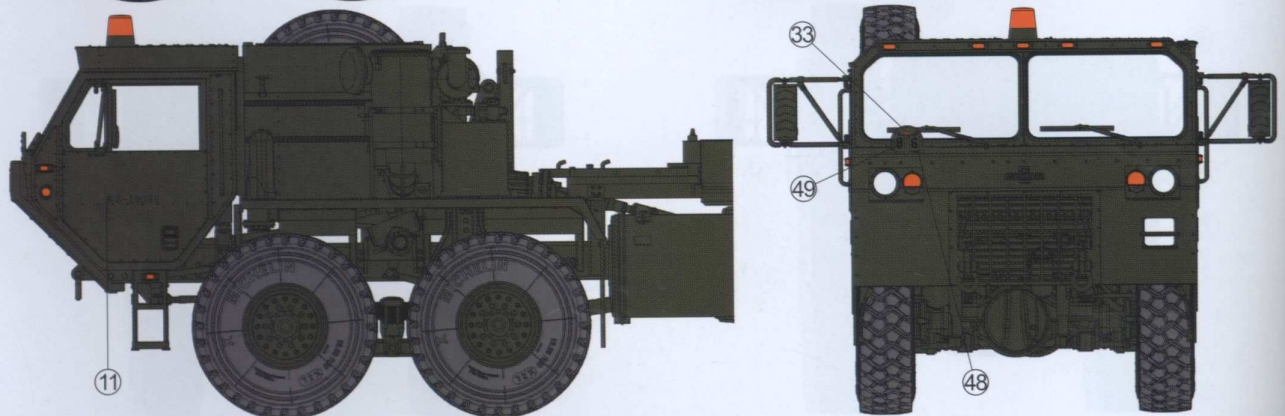


D Republic of China Army.
中華民國陸軍。

Body Color: Green F534079 ■



11







11

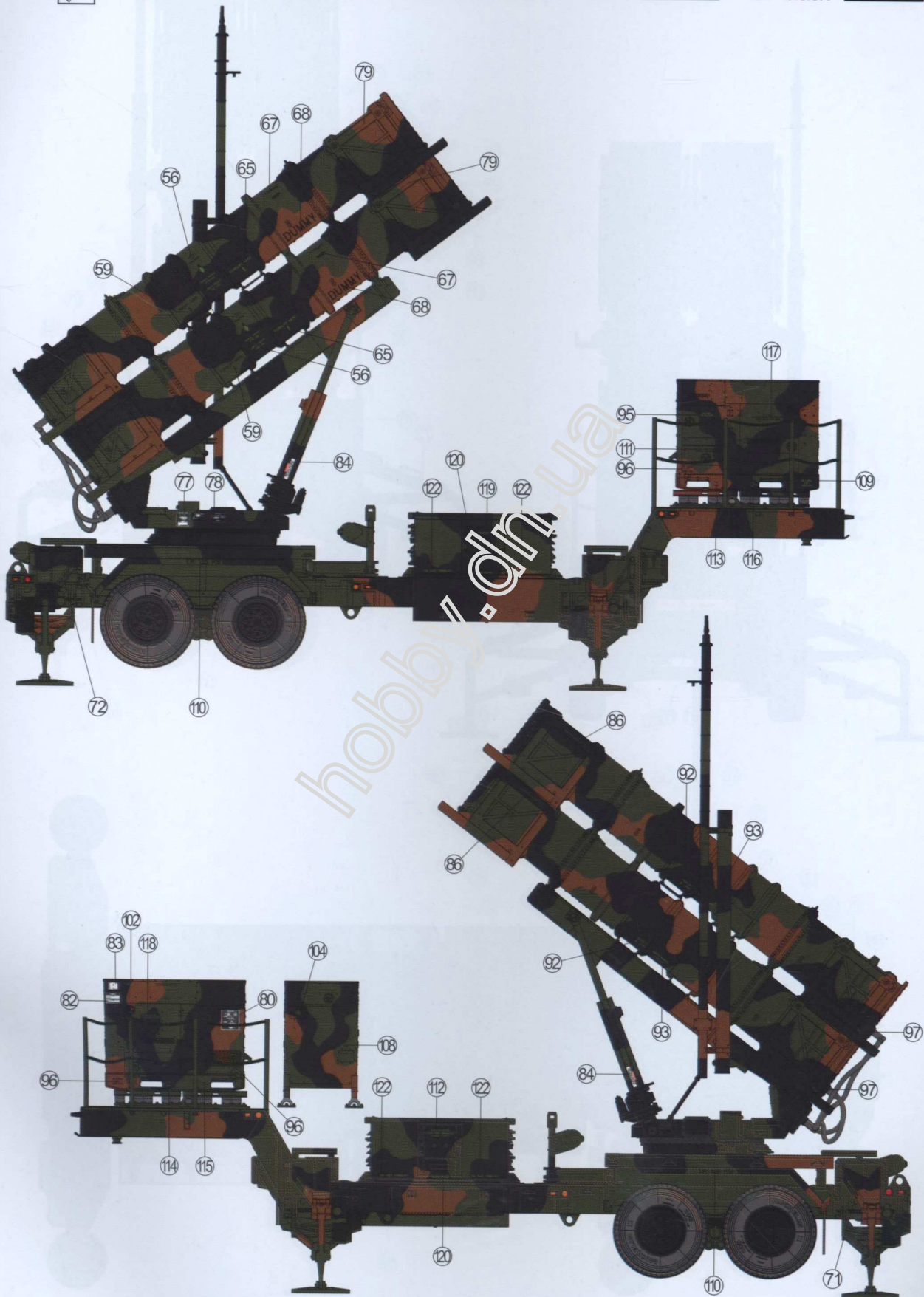
33

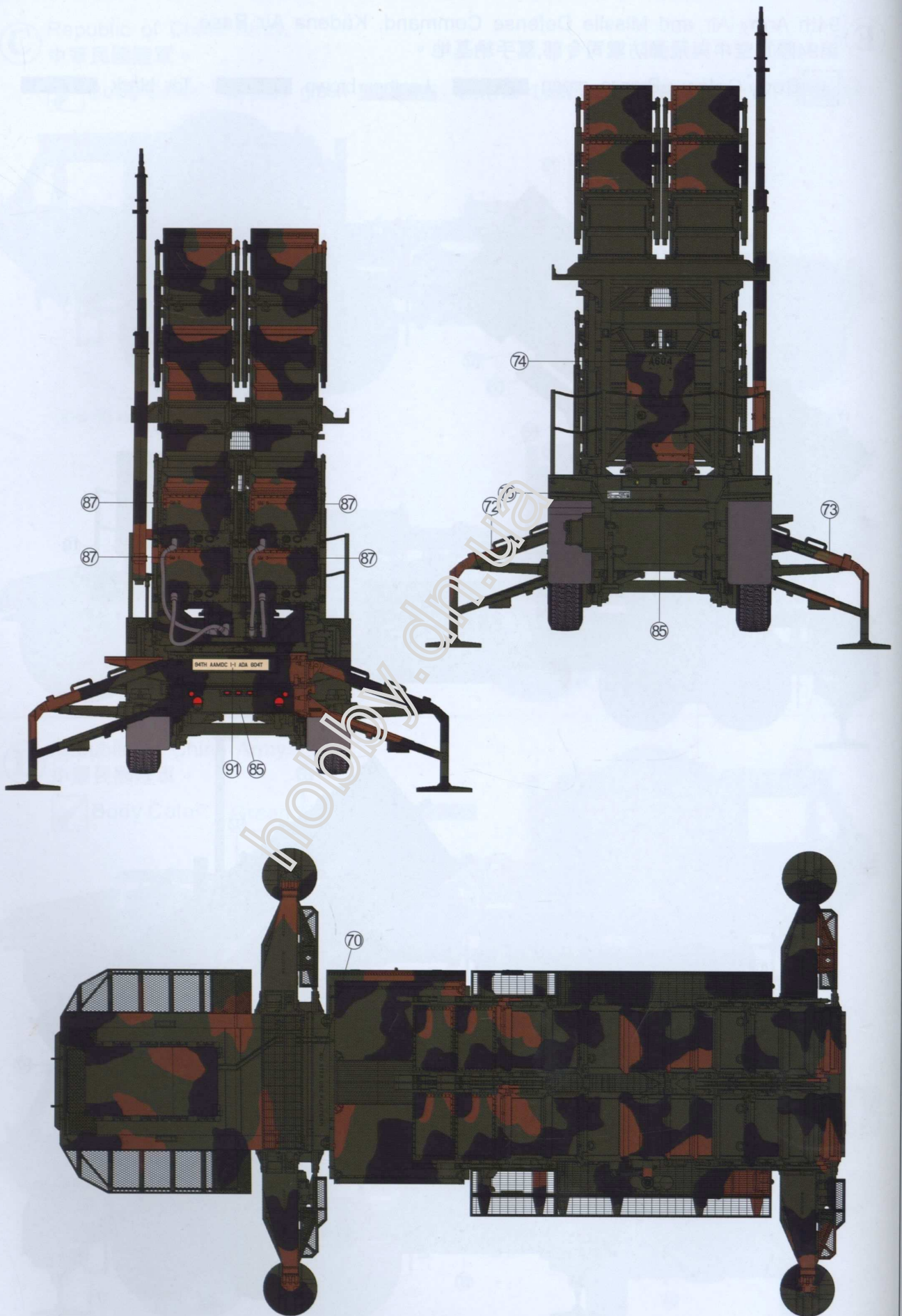
49

48



E 94th Army Air and Missile Defense Command, Kadena Air Base.
 第94陸軍空中與飛彈防禦司令部,嘉手納基地。

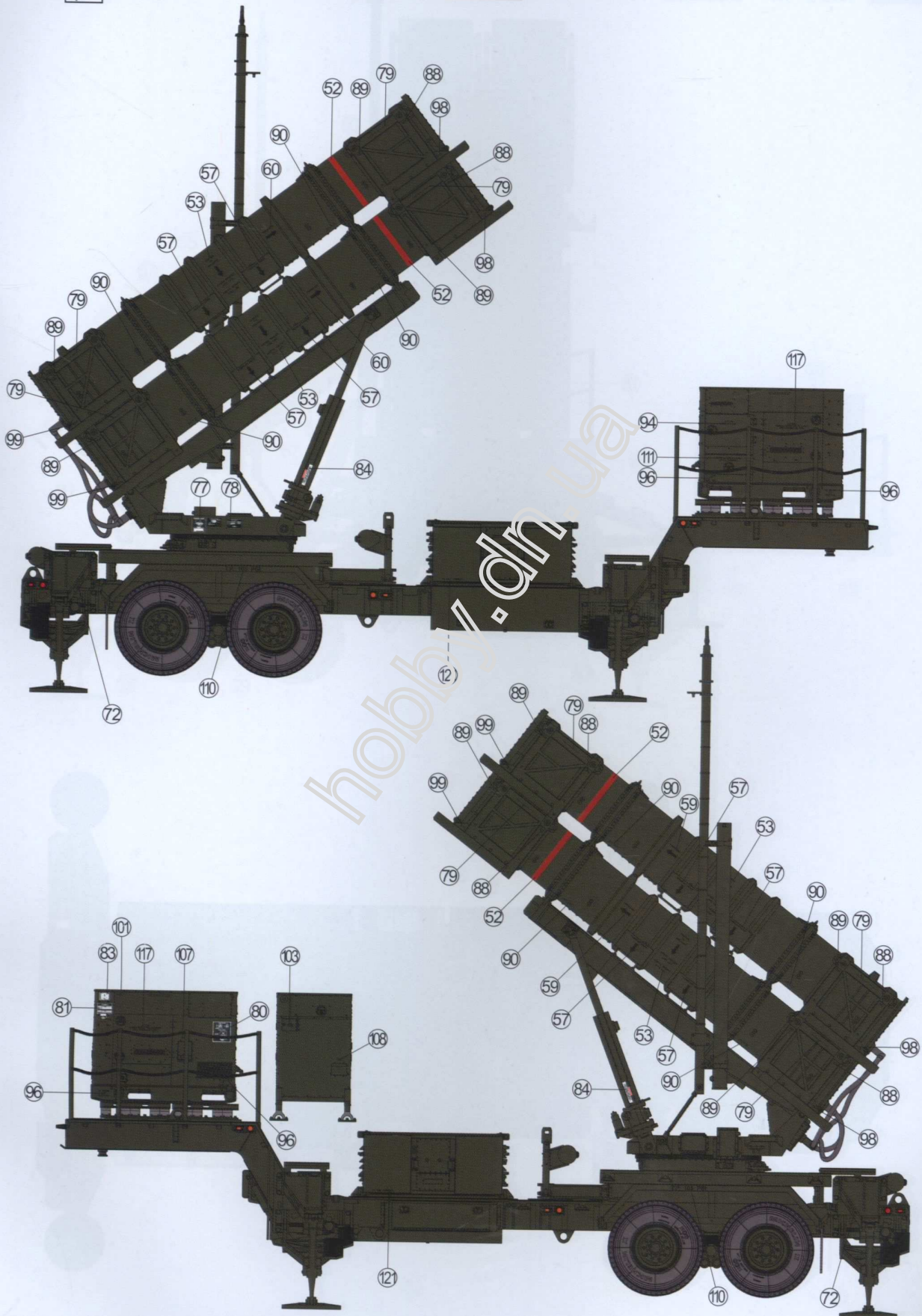
 Body Color: Bronze green  Leather brown  Tar black 

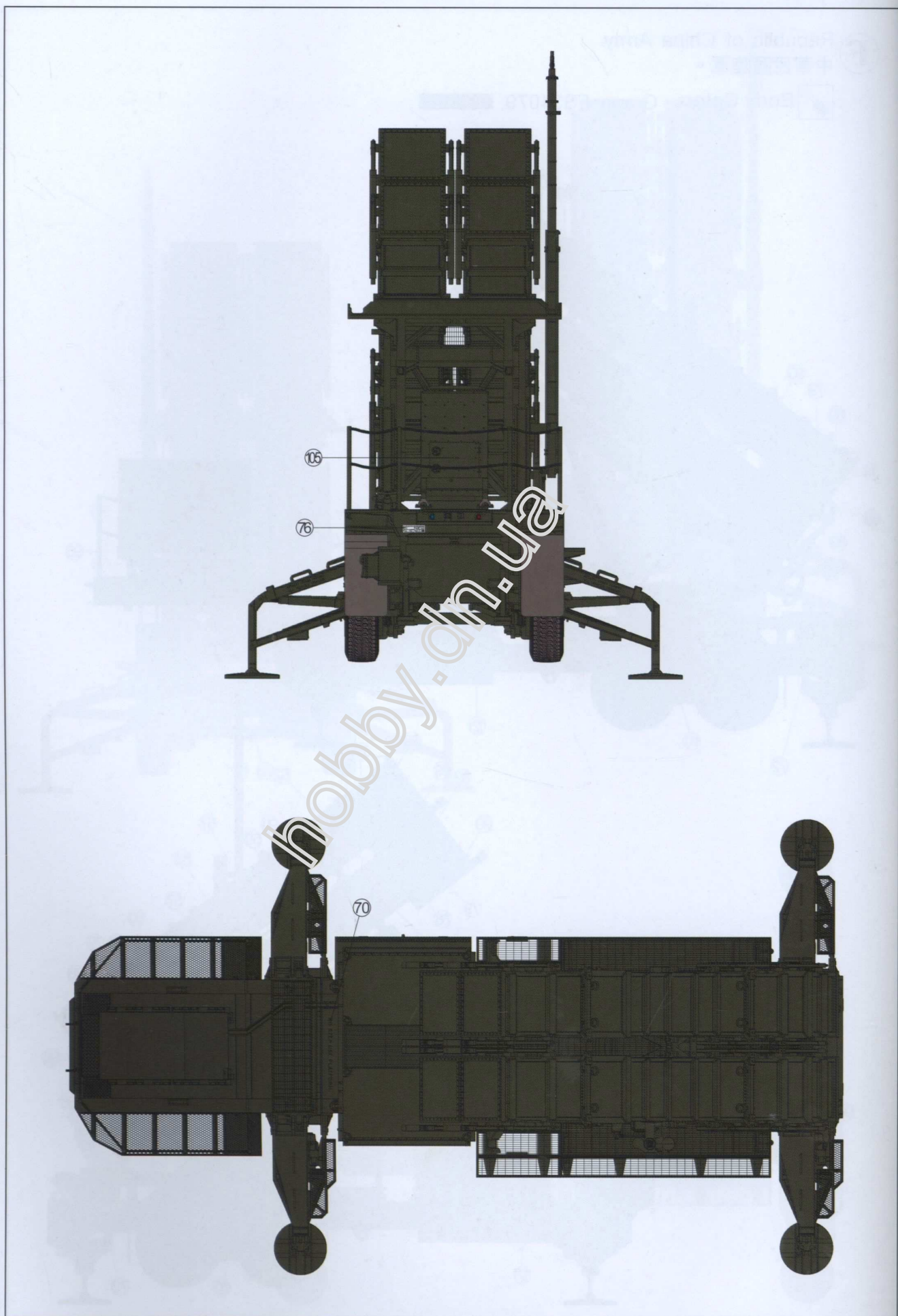






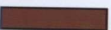
F Republic of China Army.
中華民國陸軍。

 Body Color: Green FS34079 





G Republic of China Army.
中華民國陸軍。

 Body Color: Bronze green  Leather brown  Tar black 