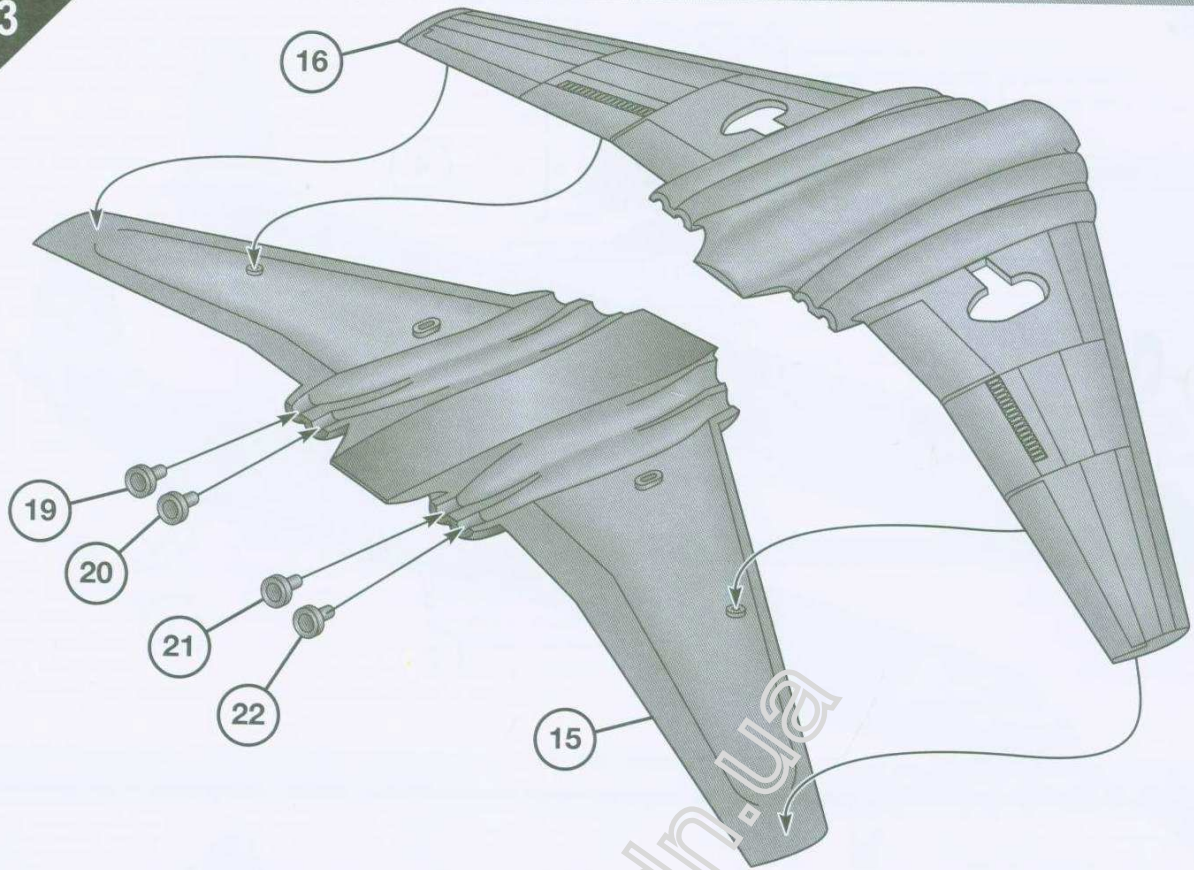
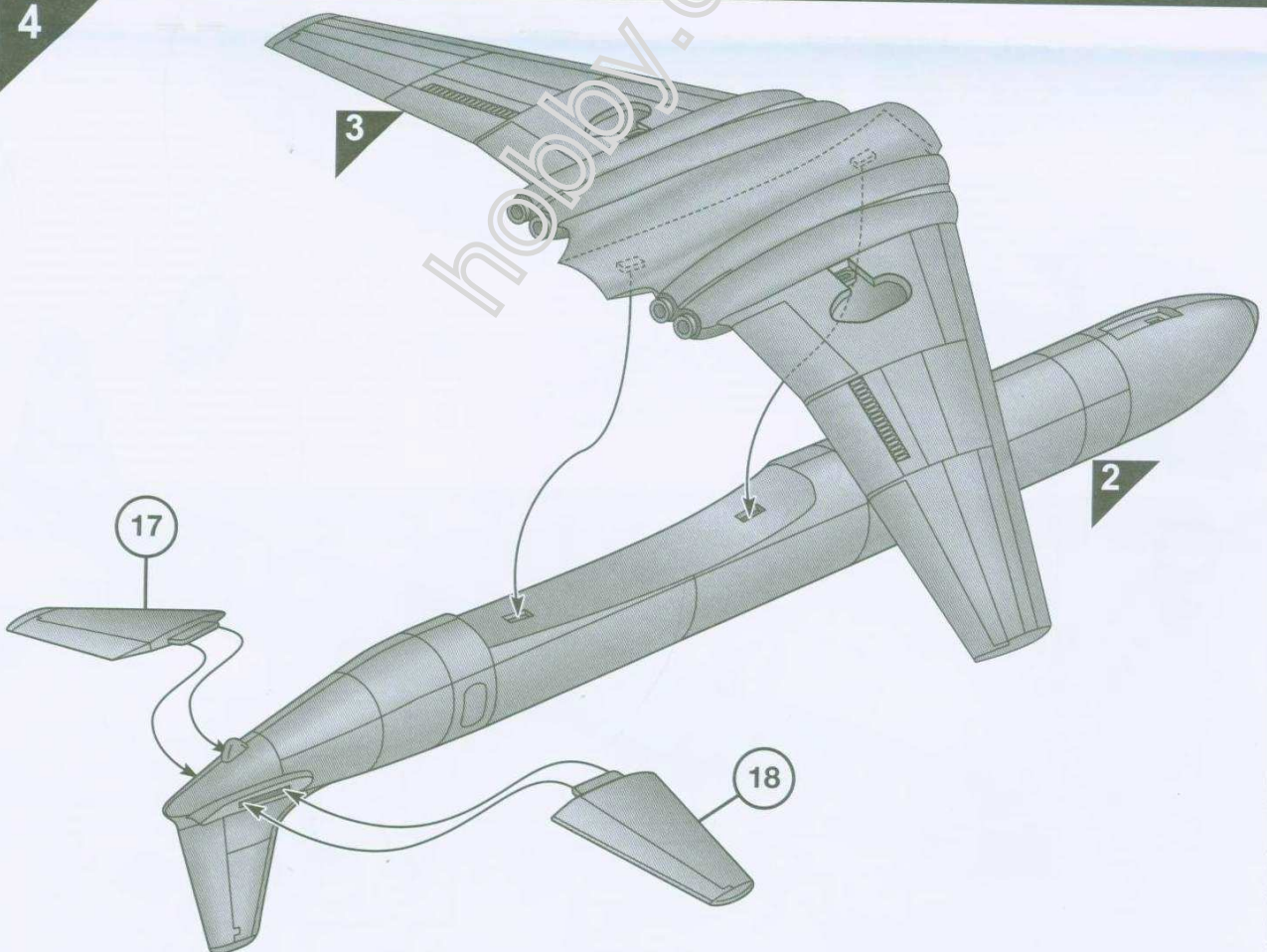


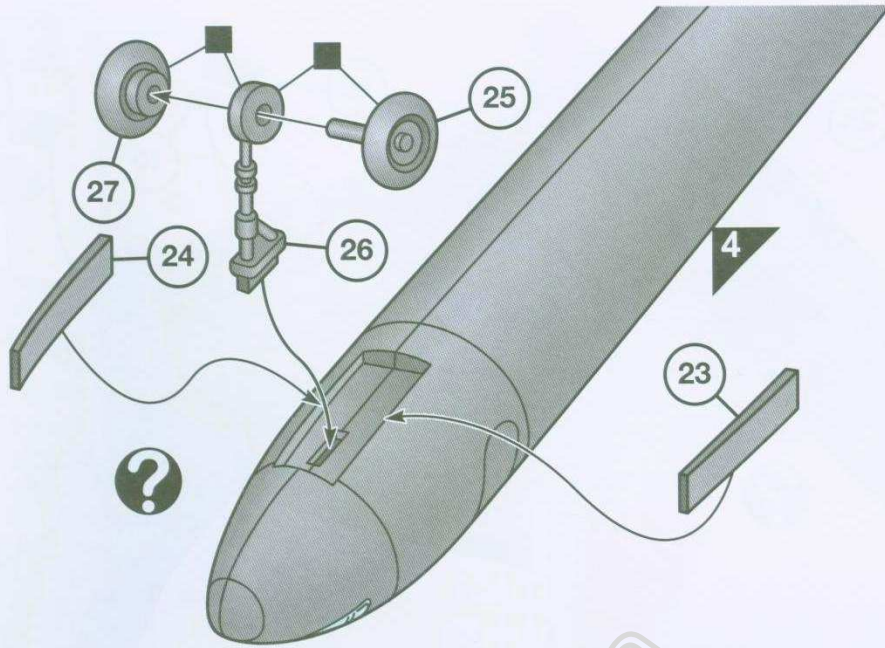
3



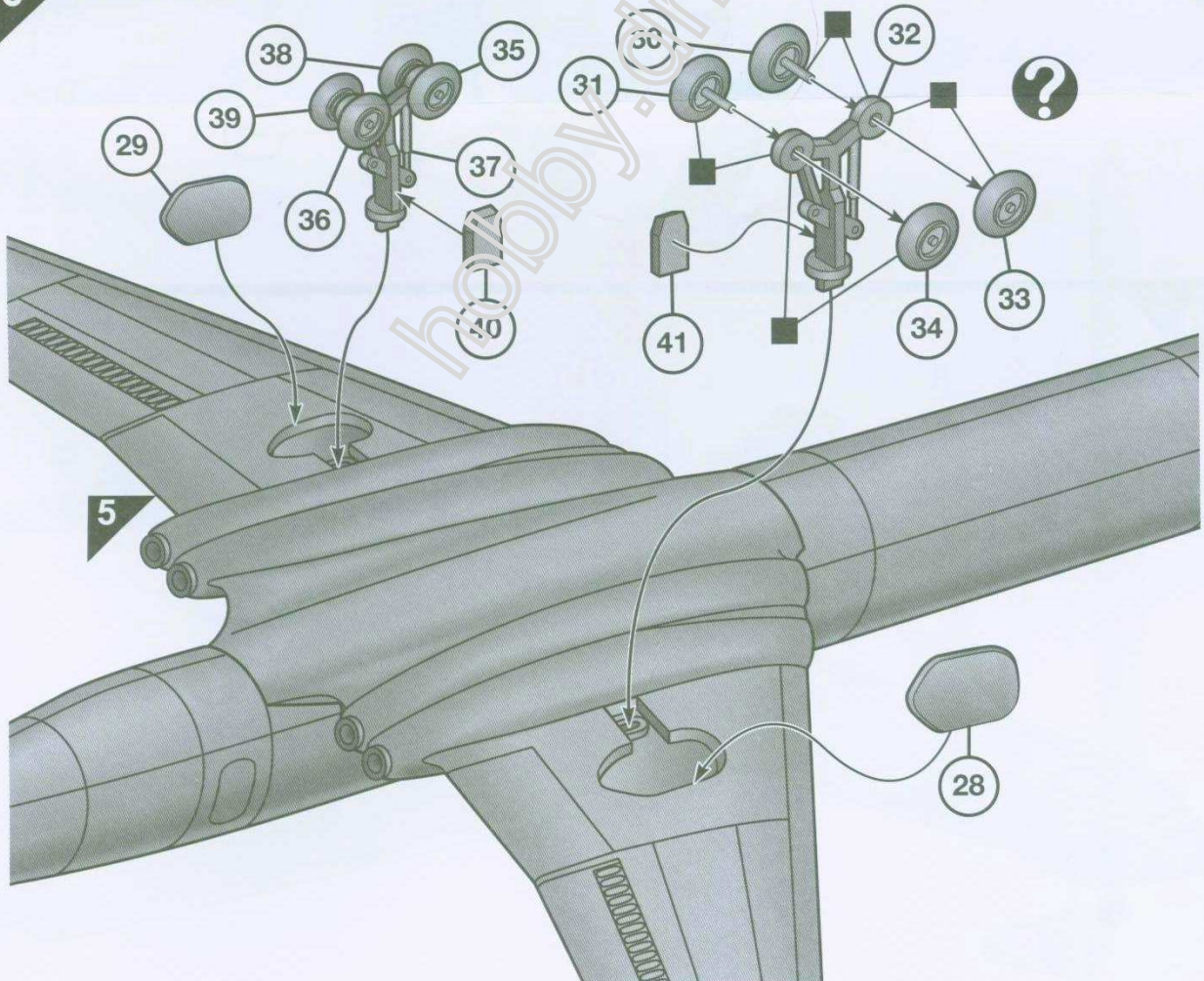
4



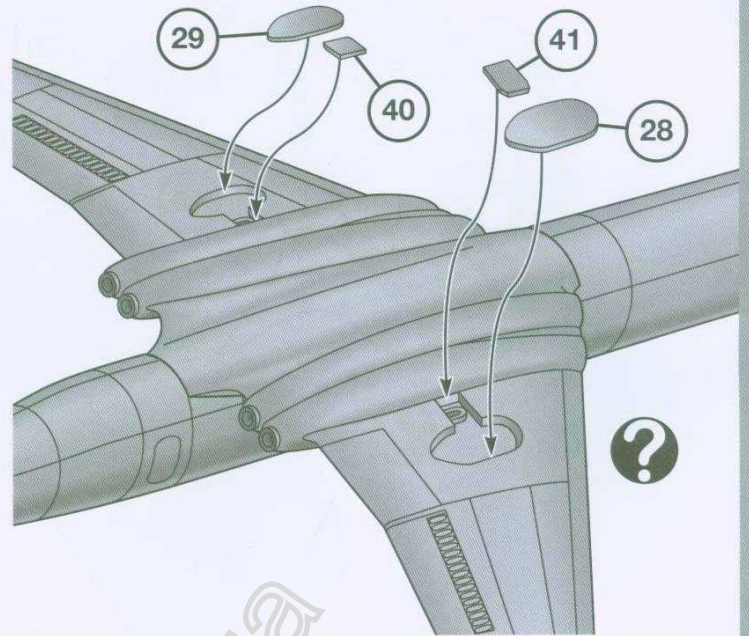
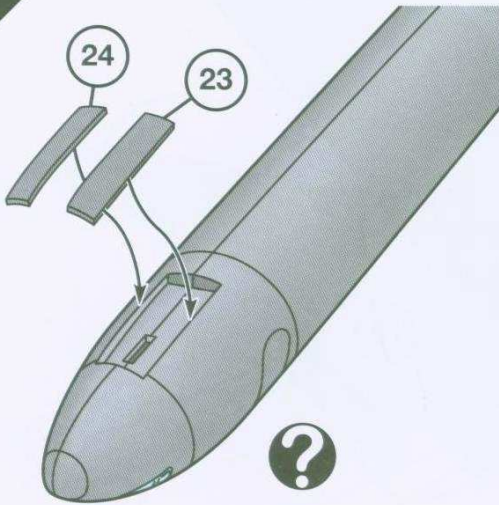
5



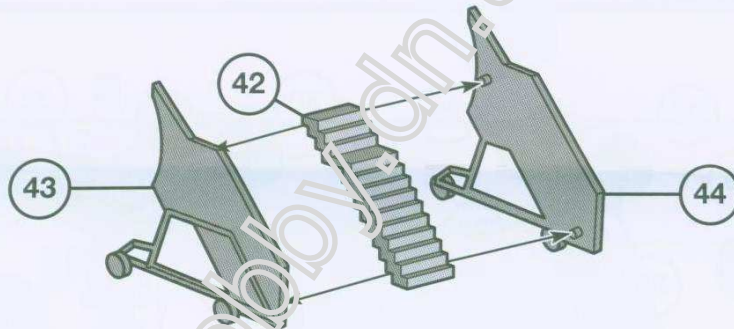
6



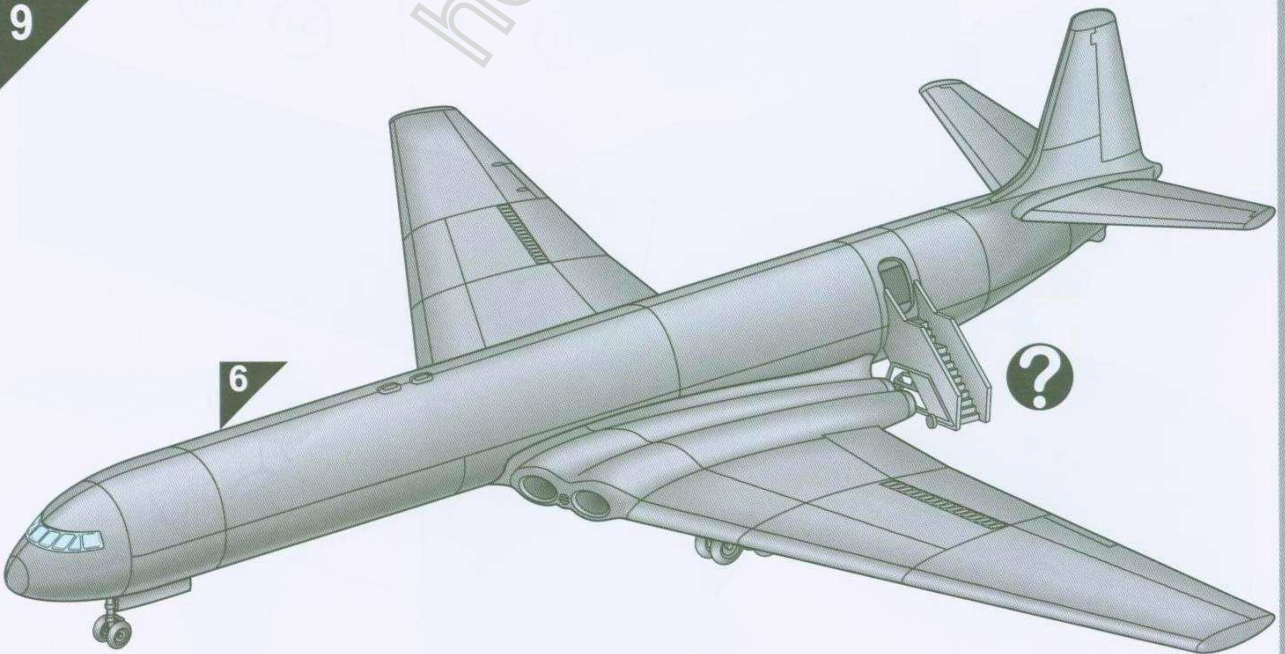
7



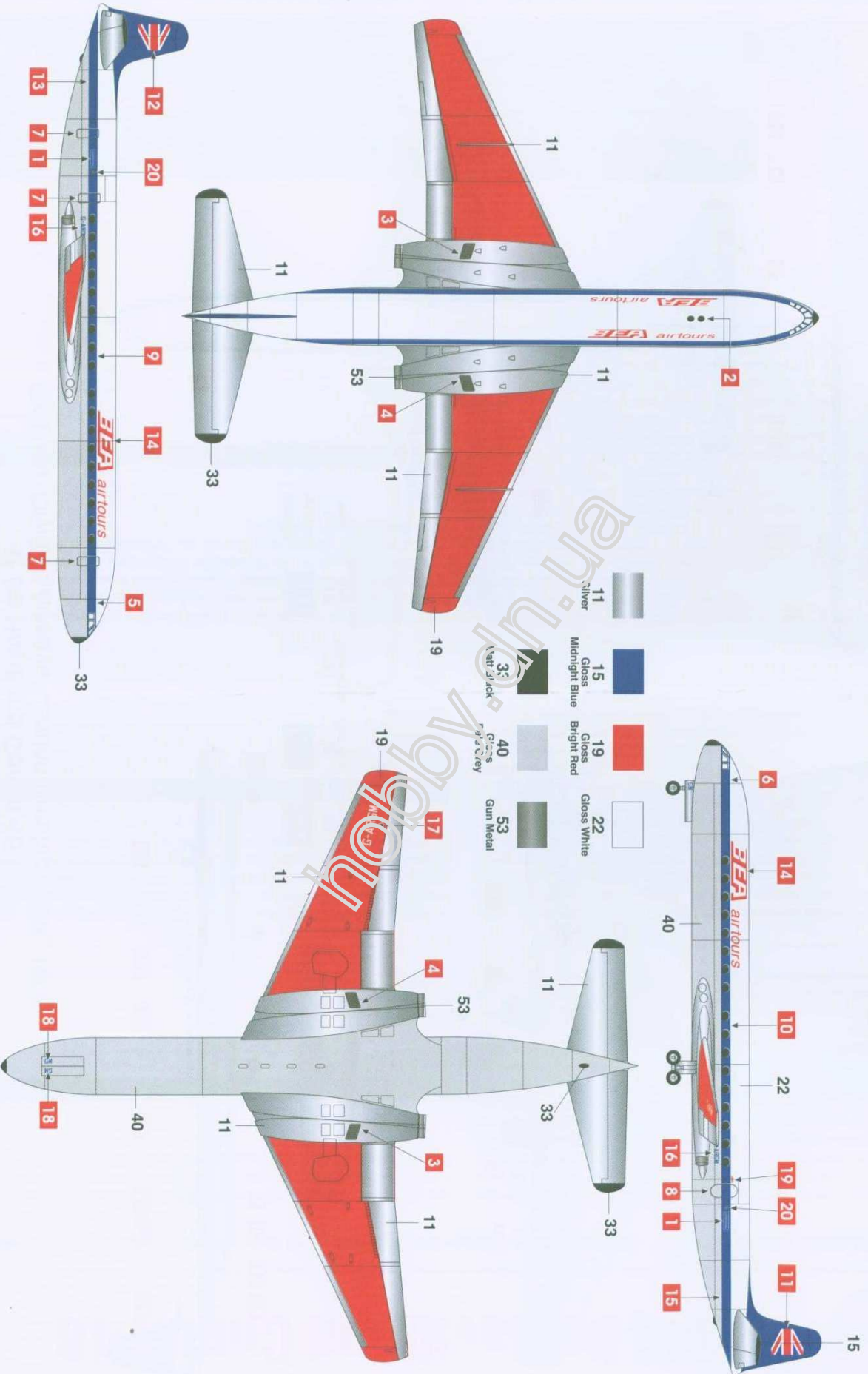
8



9



A De Havilland Comet 4B
 G-ARGM, British European Airways, London Gatwick, UK, 1973.



B De Havilland Comet 4B
 SX-DAN, Olympic Airways, London Heathrow, UK, 1966.

