



1:35 M7 PRIEST

A1368 SCALE MODEL CONSTRUCTION KIT



With the modern battlefield demanding mobility, the M7 Priest provided the British Army with an effective fully armoured self-propelled artillery vehicle, based on the chassis of the M3 Lee tank. Supplied via the Lend-Lease agreement, these vehicles initially used US guns and ammunition, which did create some logistics problems for its British operators. The M7 was christened 'Priest' by the British Army, due to the defensive machine gun position resembling a church pulpit.

**HORNBY
HOBBIES**

FOR BEST RESULTS:

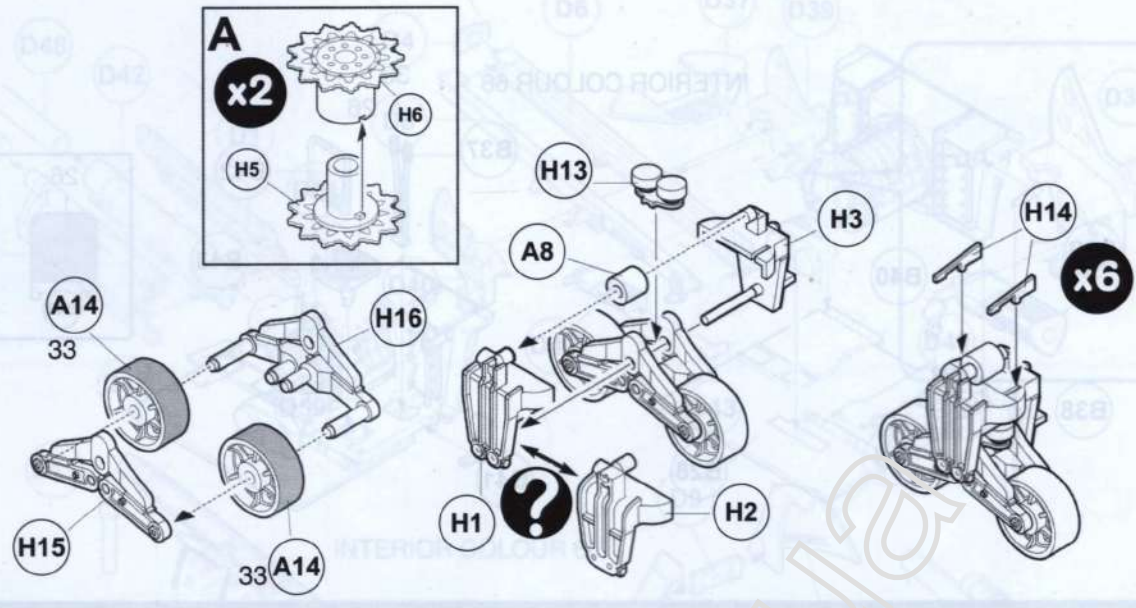
Surfaces to be painted should be clean — before parts are removed from the sprue, wash in warm, soapy water, rinse and dry thoroughly. Stir paints thoroughly before use.

PLEASE NOTE:

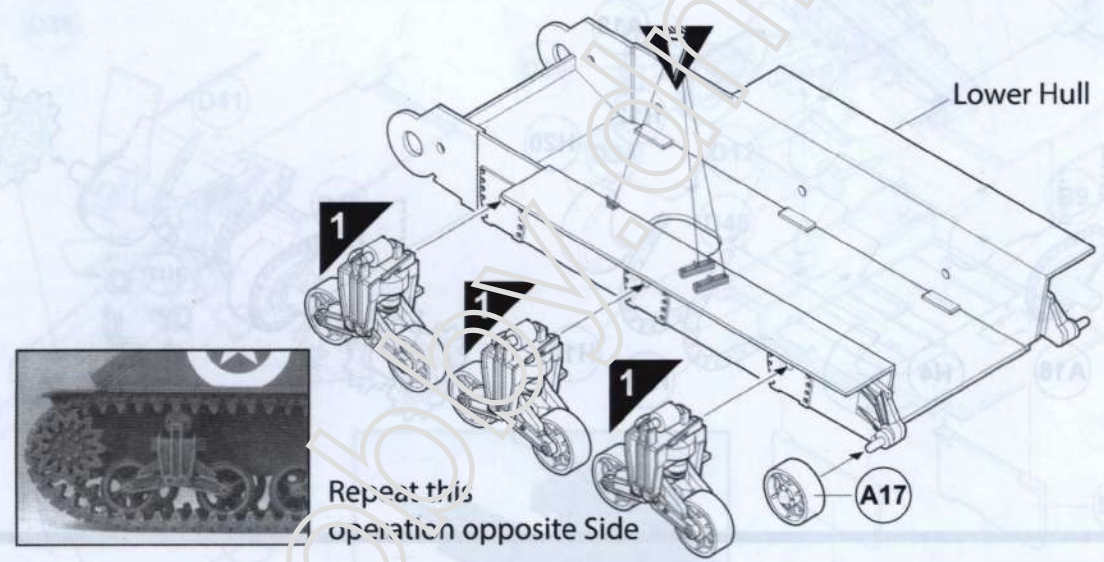
Some parts in the kit may not be required to build the model specified.



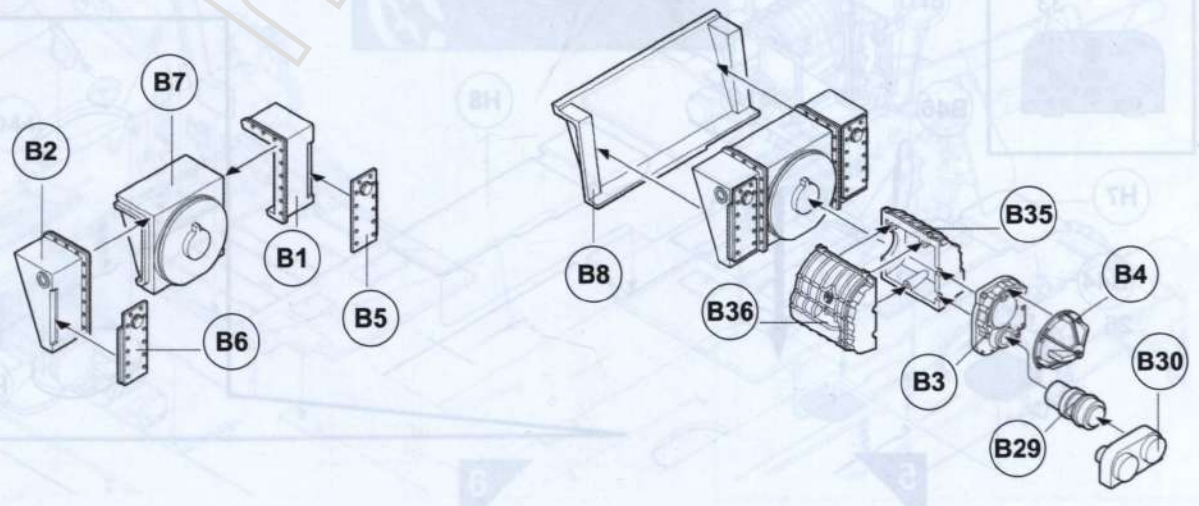
1



2



3

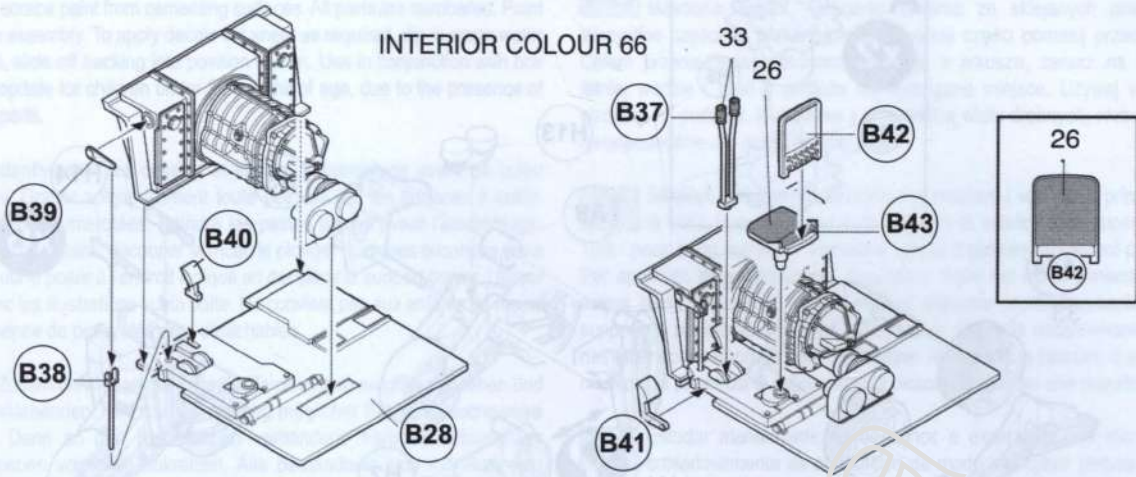


4

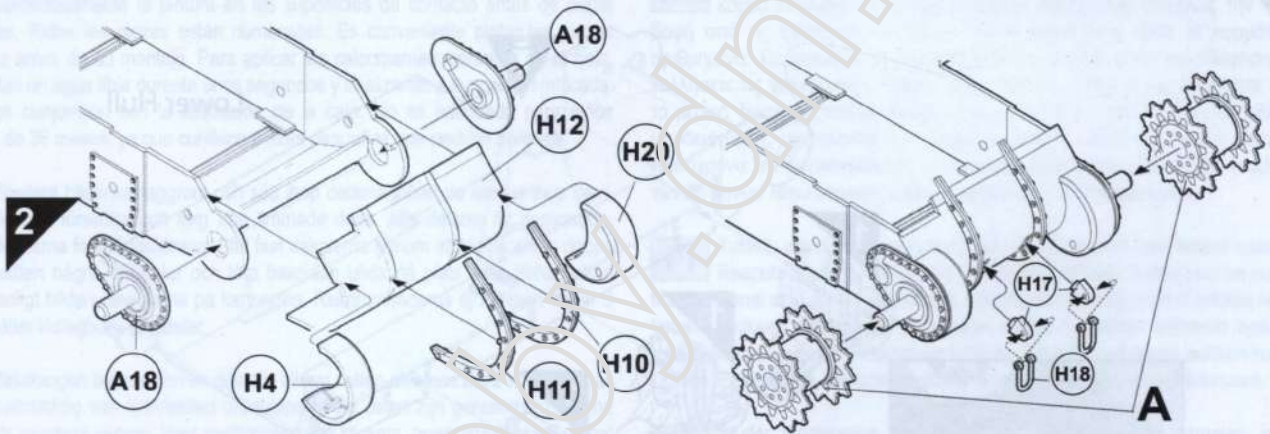
ASSEMBLY INSTRUCTIONS

Study drawings and practice assembly before connecting parts together. Carefully remove paint from connection surfaces. All parts are made of plastic and parts before assembly. To apply force, use a few success, short, sharp blows. Do not use a hammer. Work is not appropriate for children. Due to the presence of small detachable parts.

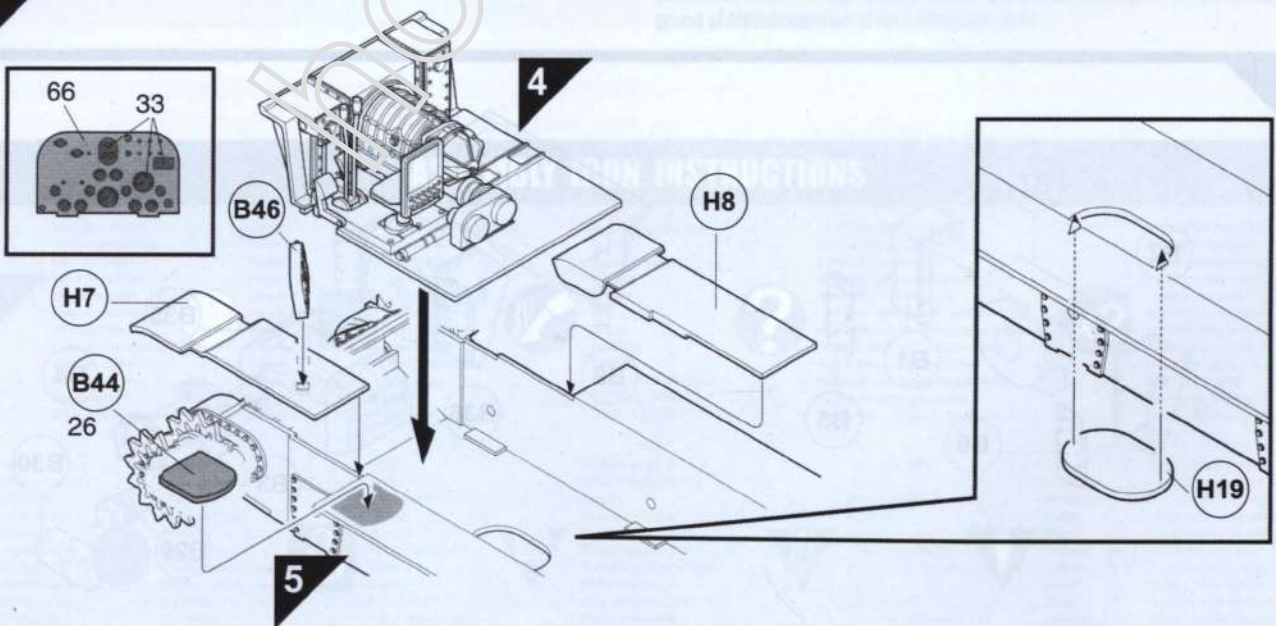
INTERIOR COLOUR 66

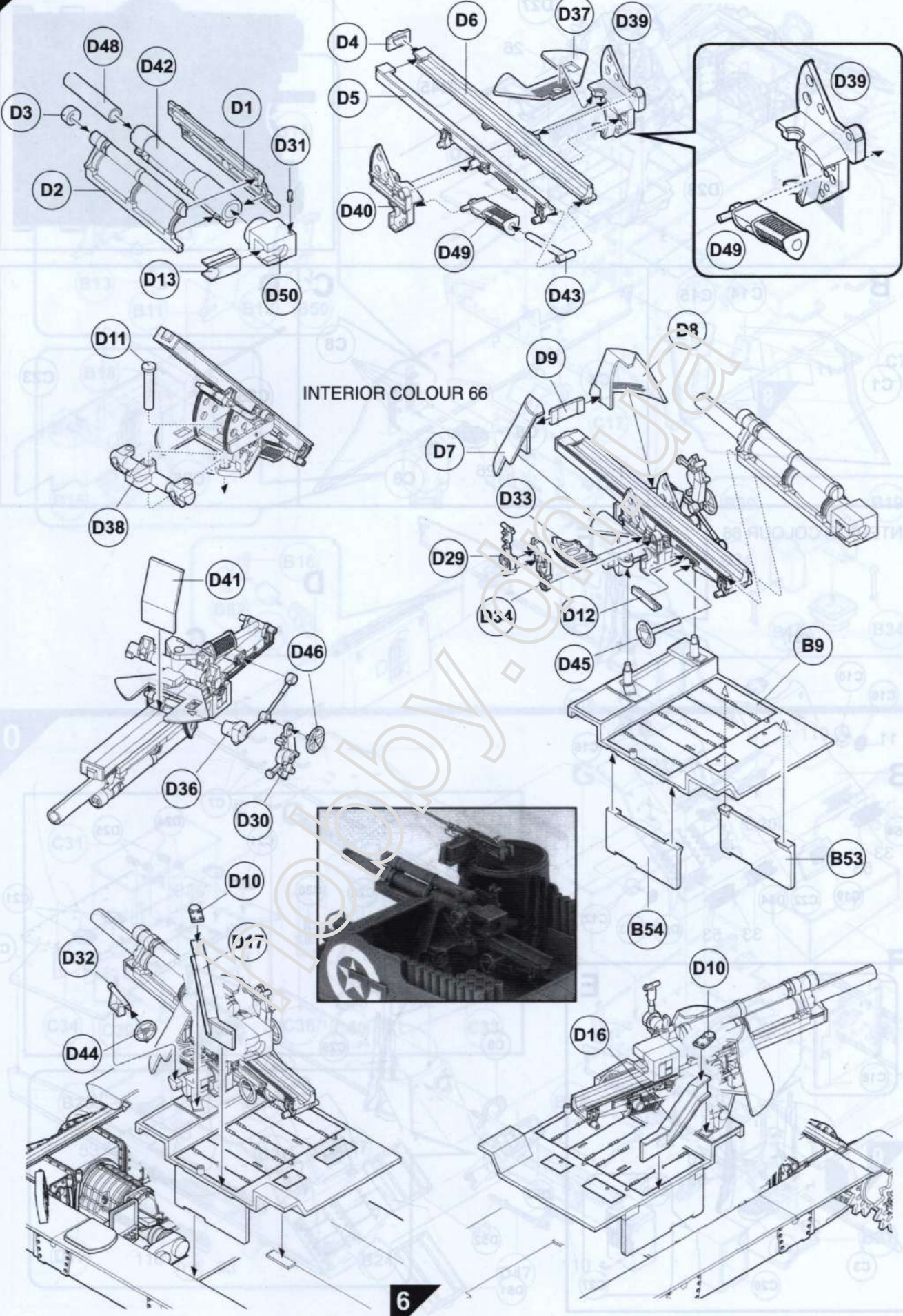


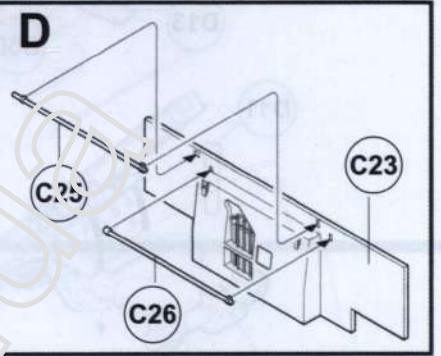
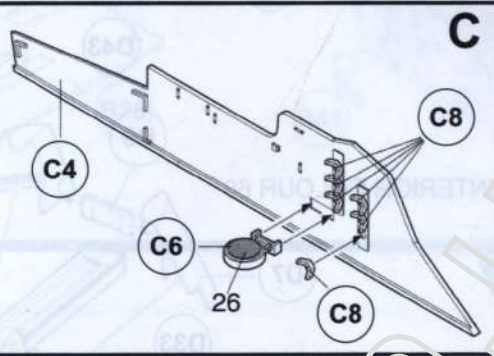
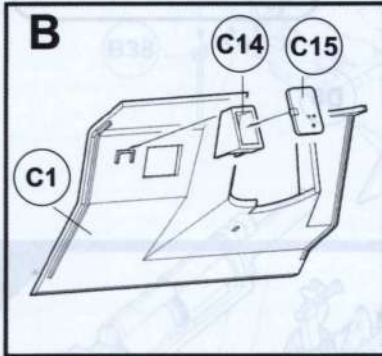
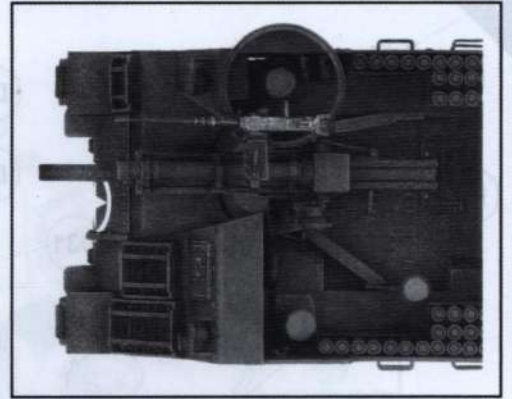
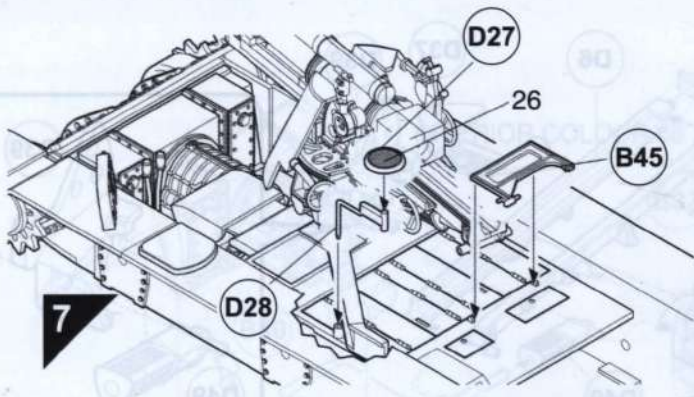
5



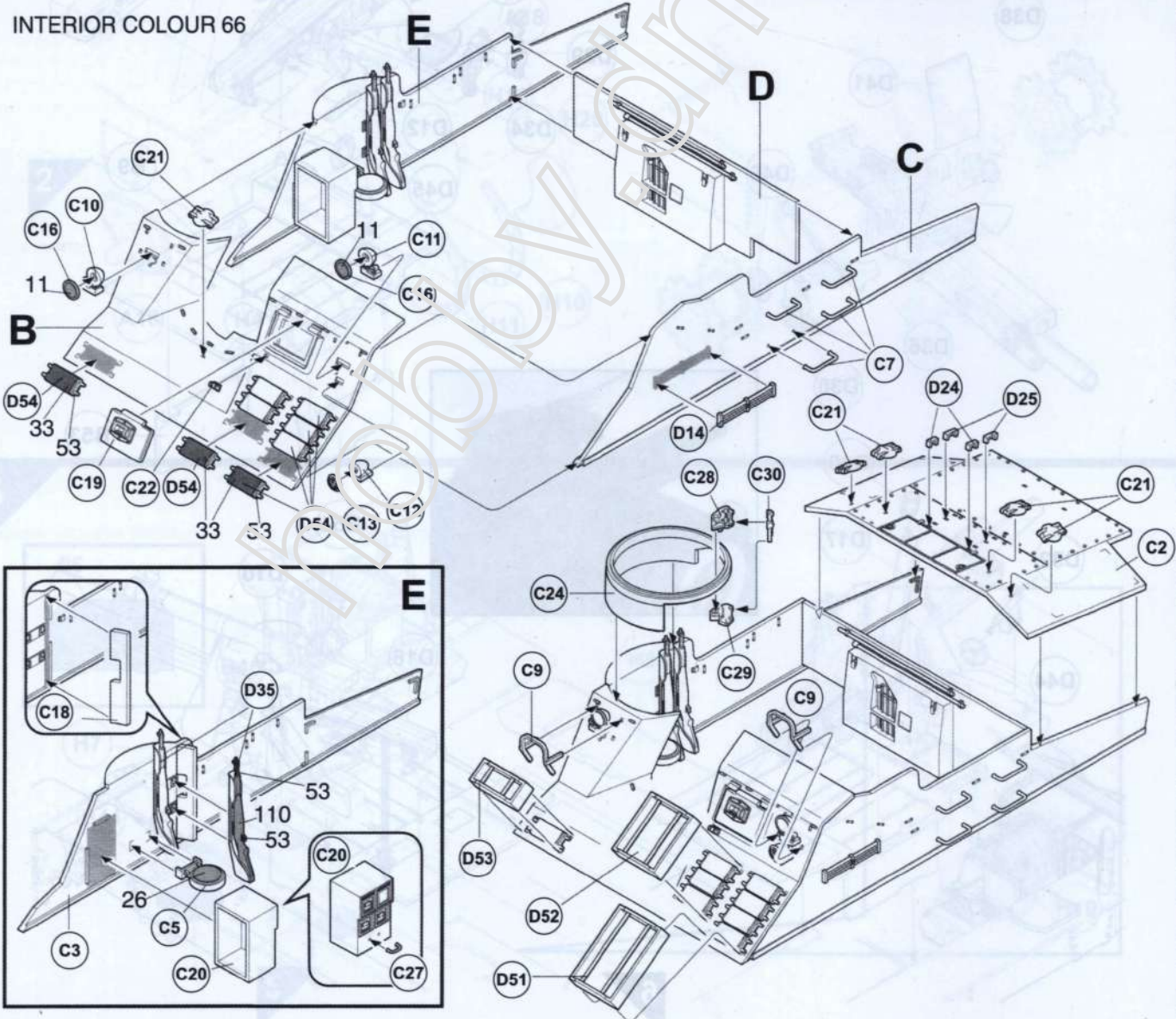
6



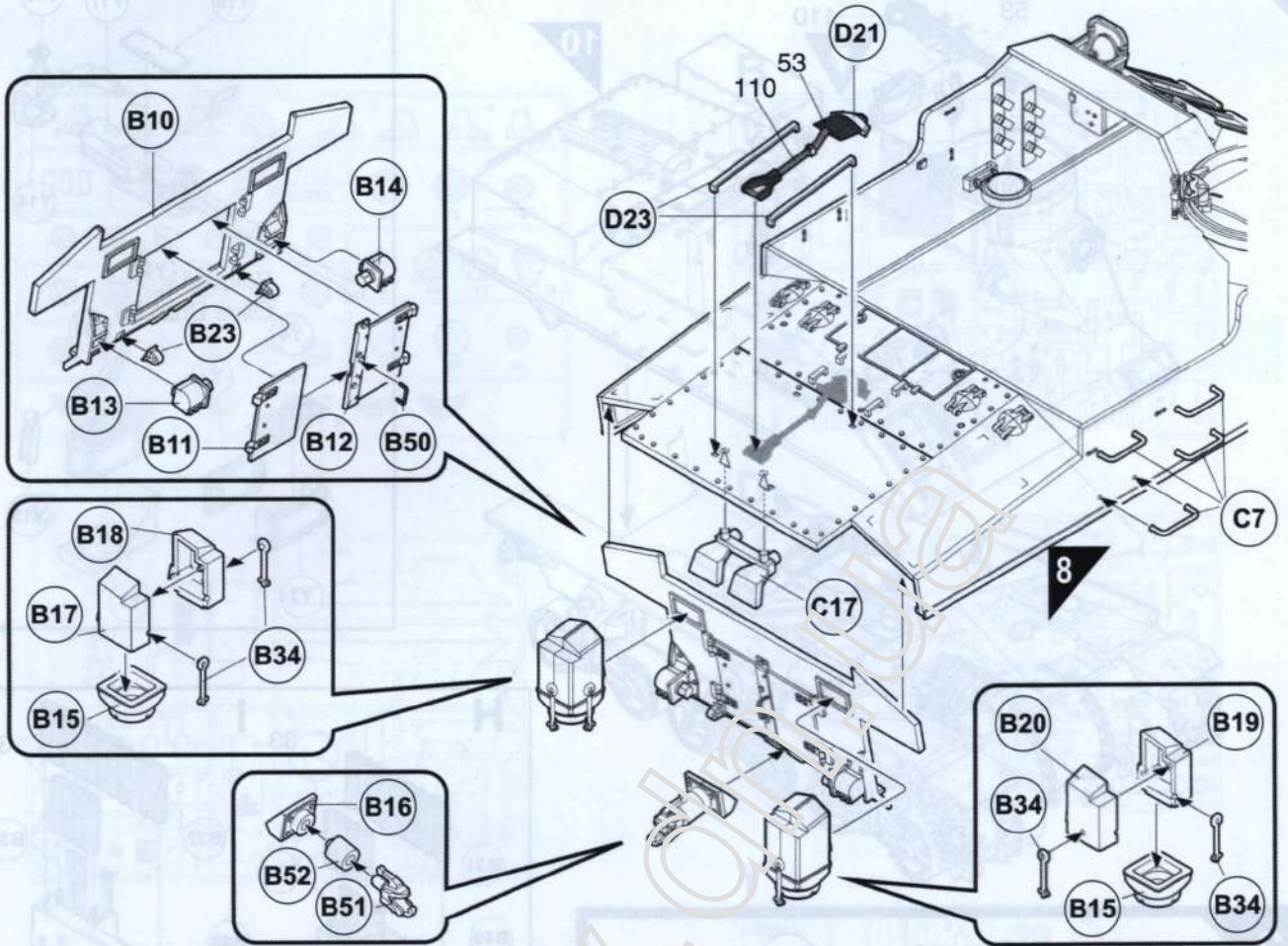




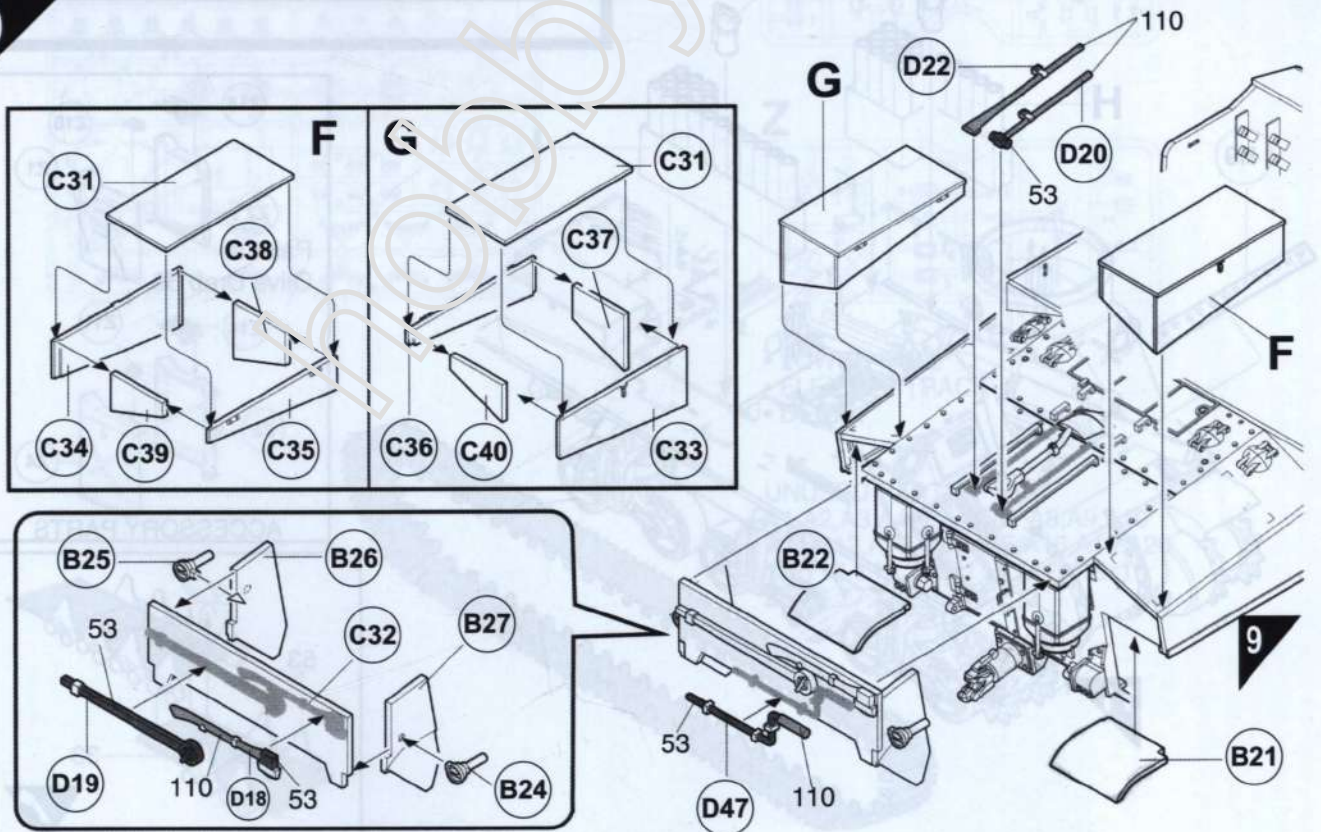
INTERIOR COLOUR 66



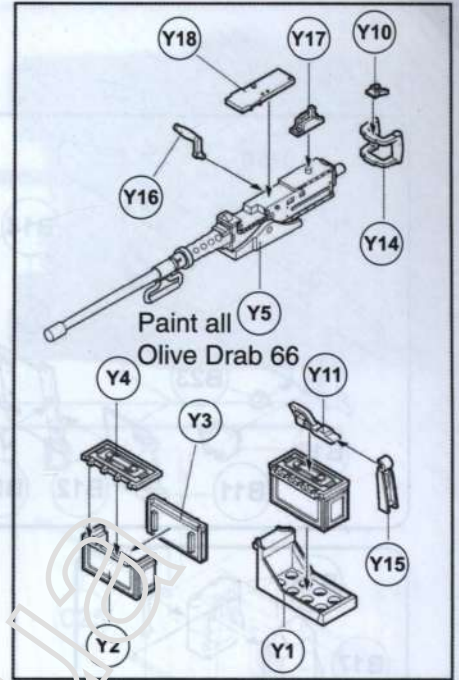
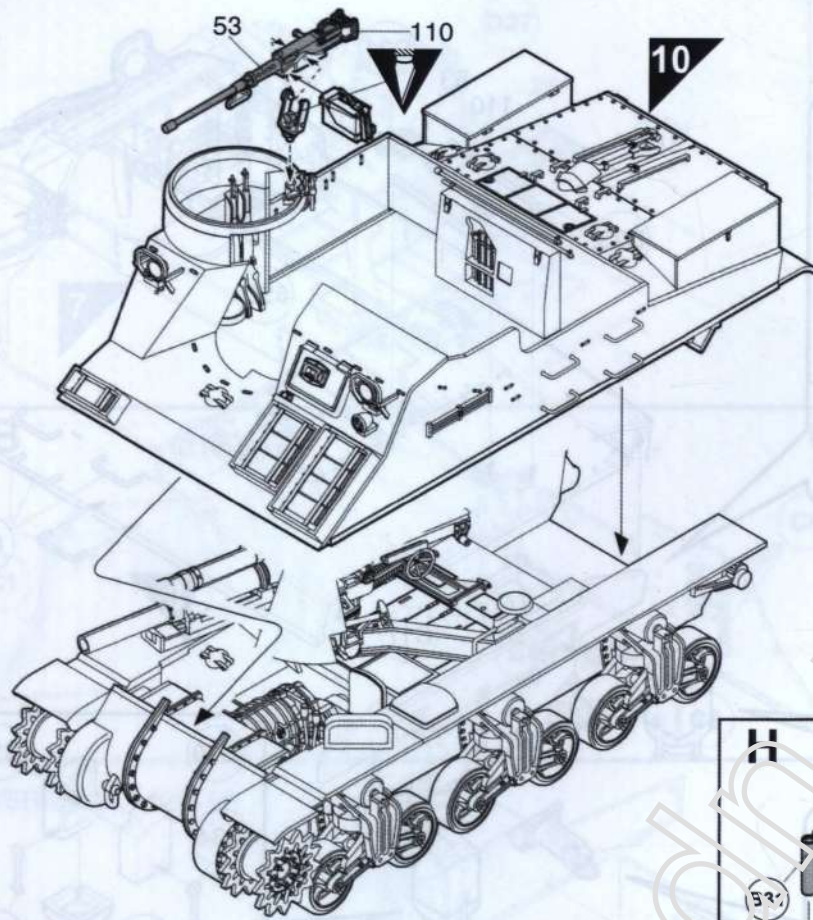
9



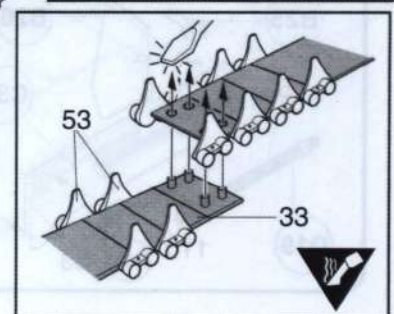
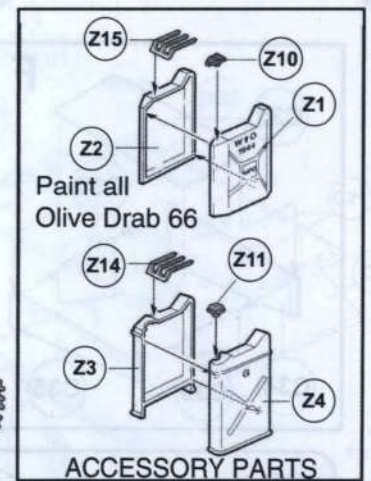
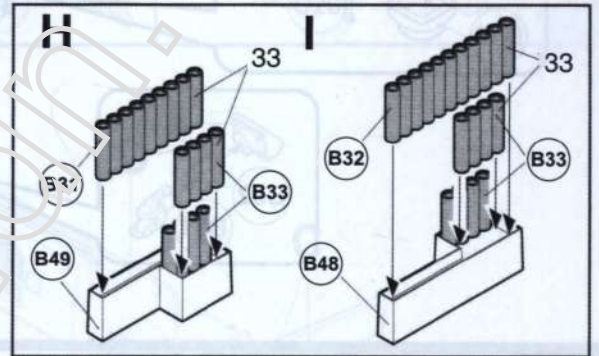
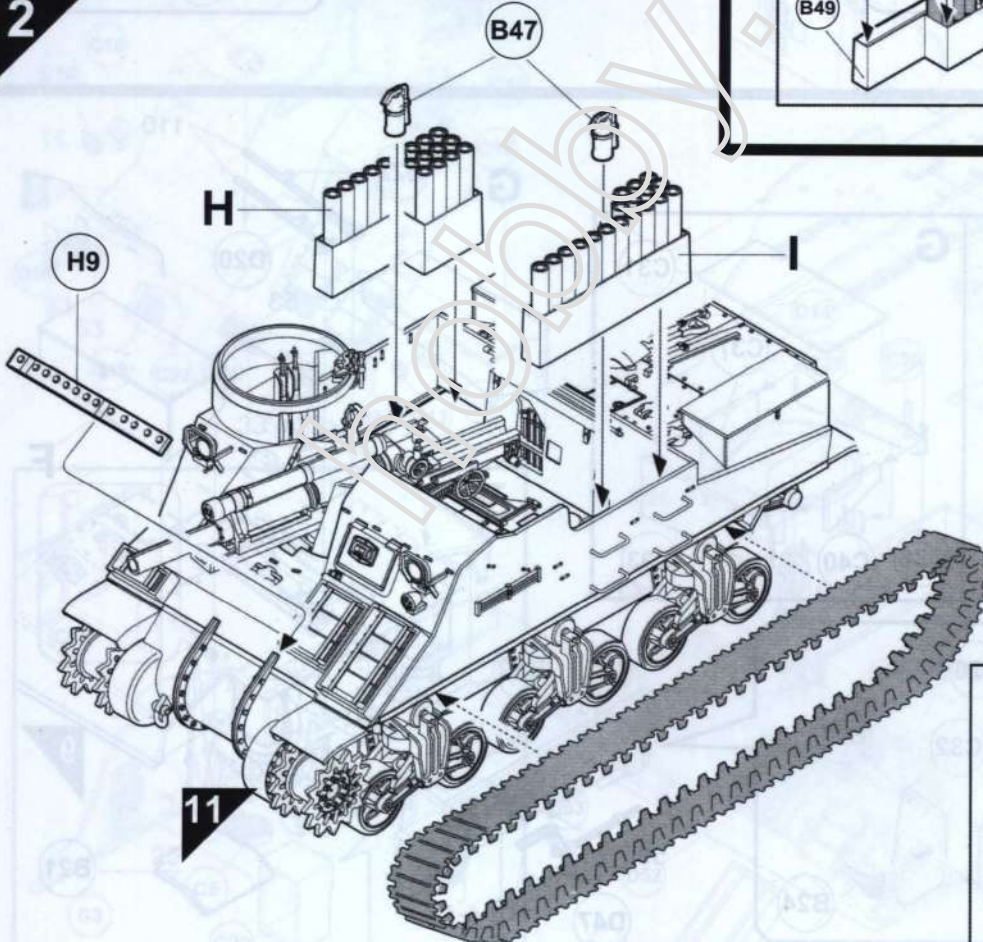
10



11

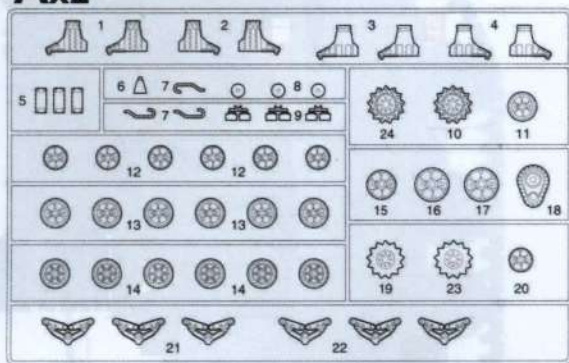


12

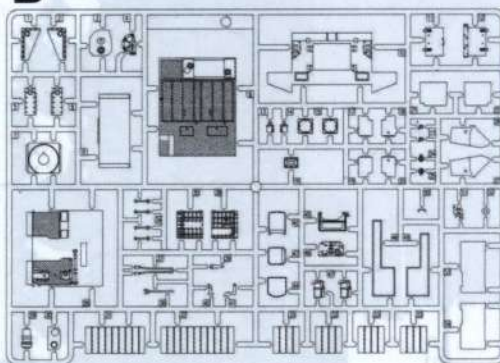


PARTS LOCATION DIAGRAM

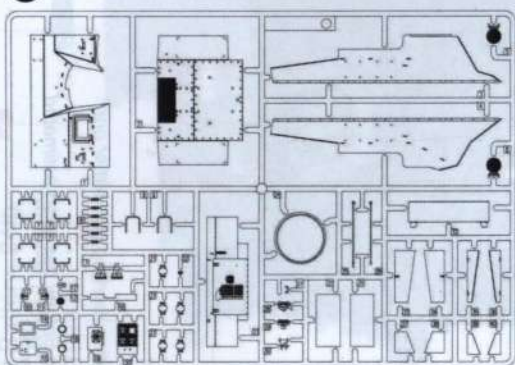
Ax2



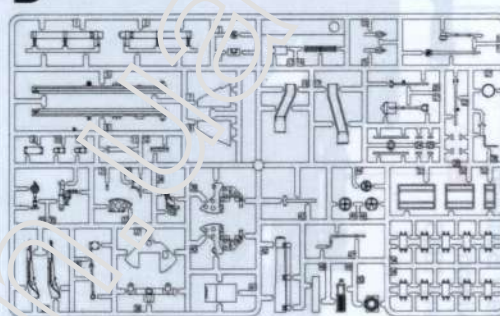
B



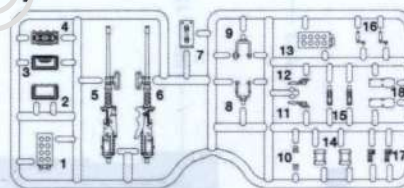
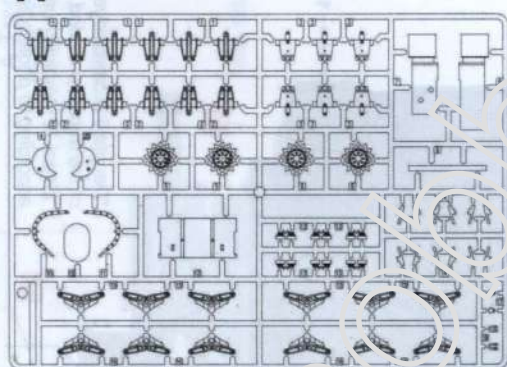
C



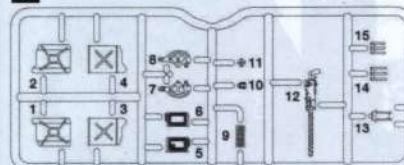
D



H



Z

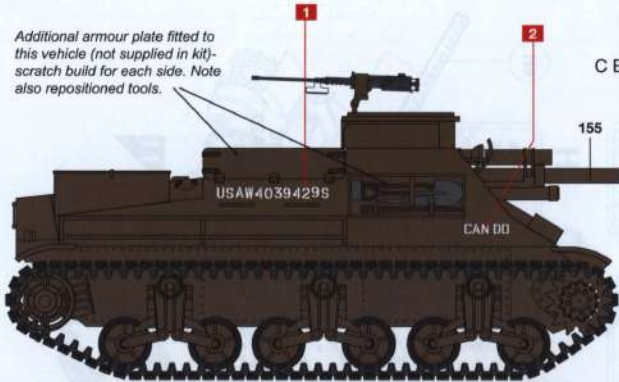


- LOWER HULL
- FLEXIBLE TRACK
- DECAL

UNUSED PARTS

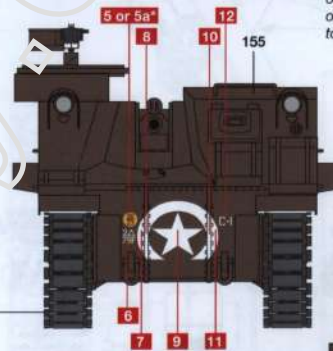
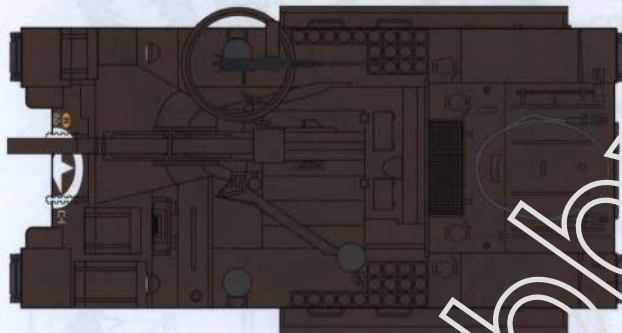
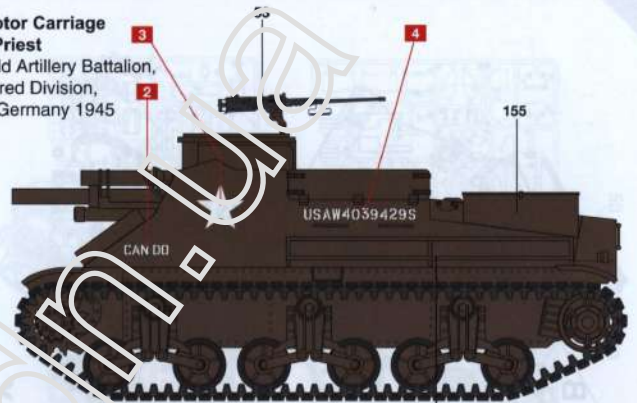
- A1,A2,A3,A4,A5,A6,A7,A8,A9,A10
- A11,A12,A13,A14,A15,A16,A19,A20
- Y8,Y12,Y13,Y16x1 Y17x1,Y18x1
- Z5,Z6,Z7,Z8,Z9.Z12,Z13

Additional armour plate fitted to this vehicle (not supplied in kit)- scratch build for each side. Note also repositioned tools.

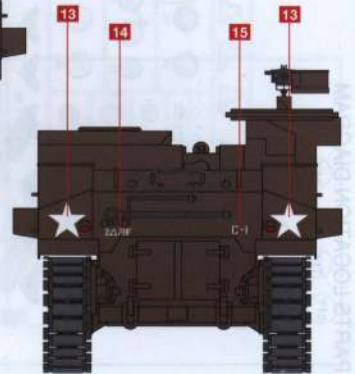


Howitzer Motor Carriage M7 Priest

C Battery, 78th Field Artillery Battalion,
2nd Armoured Division,
US 7th Army, Germany 1945



Note external stowage racks on each side of vehicle (not supplied). These were common on 2nd Armoured Division M7's and will need to be scratch-built



53
Gunmetal

155
Olive Drab

173
Track Colour

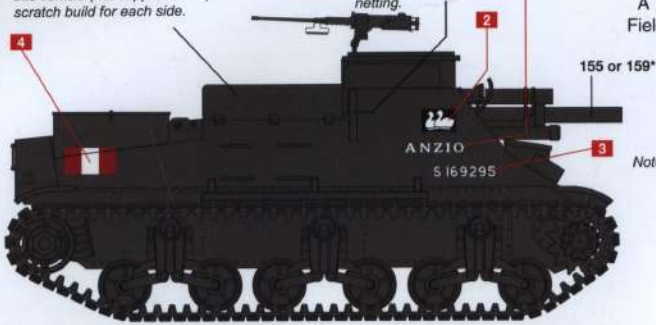
Decals 5 & 5a- Bridge classification marking was either one of the decals provided.
*Decal 12- Vehicle number within Battery has been estimated according to photographic references.

Additional armour plate fitted to this vehicle (not supplied in kit) - scratch build for each side.

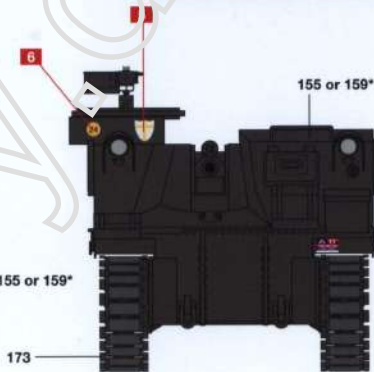
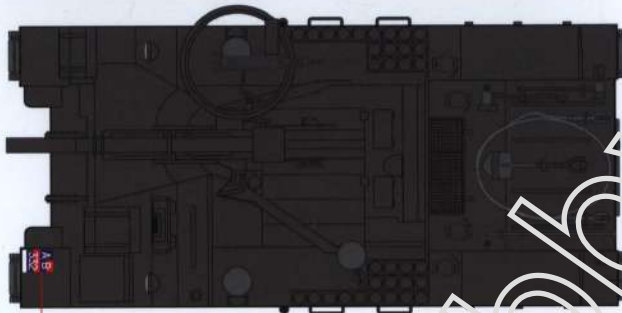
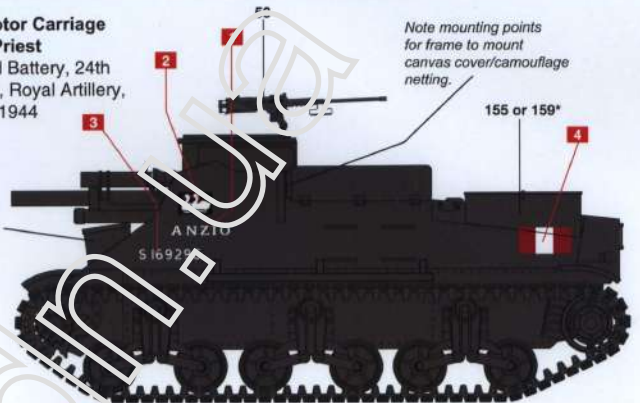
Note mounting points for frame to mount canvas cover/camouflage netting.

Howitzer Motor Carriage M7 Priest
 A Troop, 22nd Battery, 24th Field Regiment, Royal Artillery, Italy, 1944

Note mounting points for frame to mount canvas cover/camouflage netting.



Note stowage box



- 53
Gunmetal
- 155 or 159
Olive Drab Khaki Drab
- 173
Trunk Colour

* References state that this vehicle may have been still in its original US Olive Drab as issued, although at the time the photographic information used was taken, it may have been repainted in Khaki Drab in accordance with War Office specifications. The latter finish is shown.