

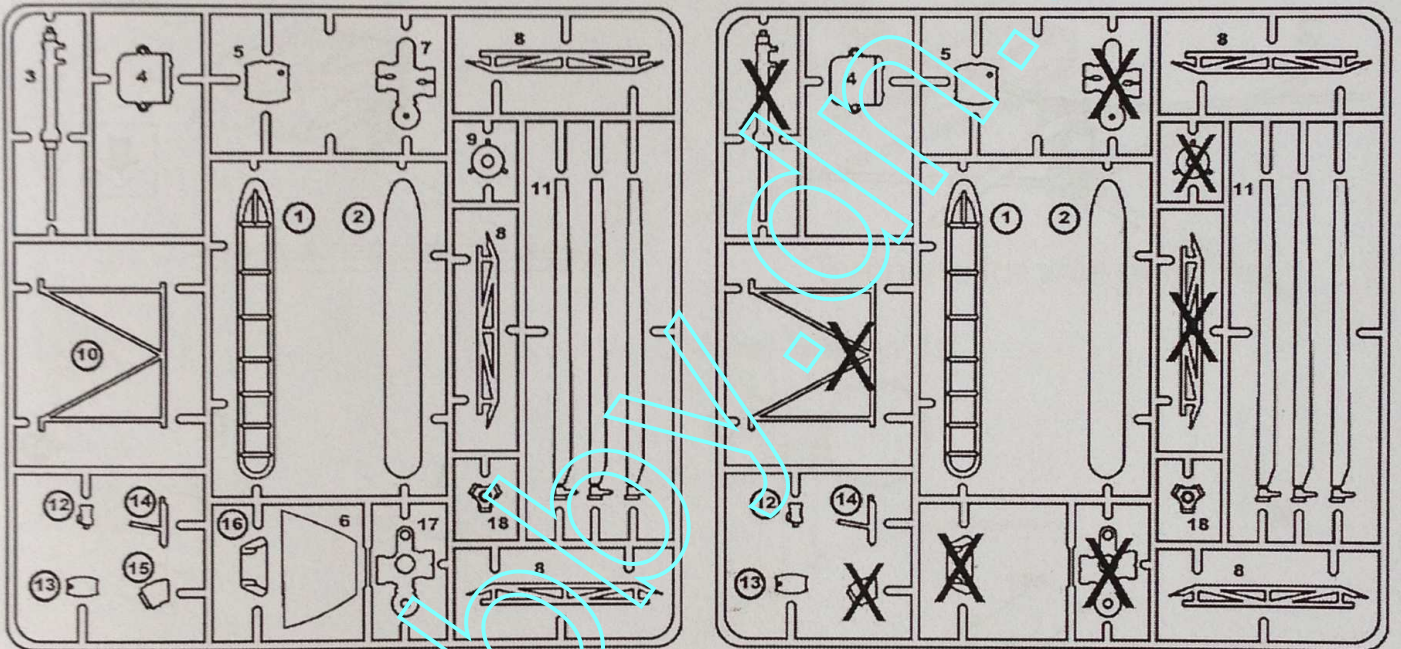


# Kamov KA-10M № 48207

Naval observation and liaison helicopter Ka-10 was developed in the Chief Designer N.Kamov's OKB-2 in 1946. Developed in response to the demands of the Soviet Navy aviation, Ka-10 appeared to be the first coaxial rotors helicopter in the world to be added to armoury. With its tiny size and unique maneuverability, the helicopter could be based on the ship of any type, from armoured boat to battleship. Basing on the Ka-10 service experience, the Ka-10M modification was developed later. It differed from the base model by some technological and service improvements. Totally 25 Ka-10/10M were built between 1949 and 1952.

### References.

- L. Kuz'mina, Konstruktor vertolyotov (Helicopter Designer), Moscow, 1938
- Aviatsiya i vryemya (Aviation and Time, Ukrainian magazine), Nr 5, 2005
- V.Shavrov, Istoriya konstrukciy samolyotov v SSSR (The History of the Aircraft Designs in the USSR), vol.2, Moscow, 1978
- N.Yakubovich, Boyevye vertolyoty Rossii (Military Helicopters of Russia), Moscow, 2010

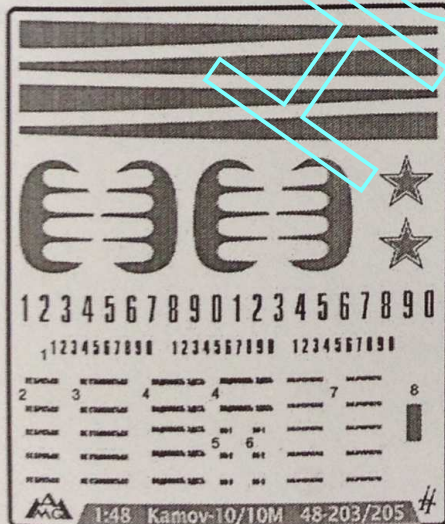


W1 (D-0,8mm L-30mm) x2

W3 (D-0,6mm L-19,5mm) x2

W2 (D-0,8mm L-46mm) x2

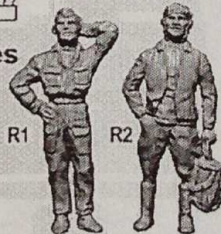
W4 (D-0,6mm L-12mm) x2



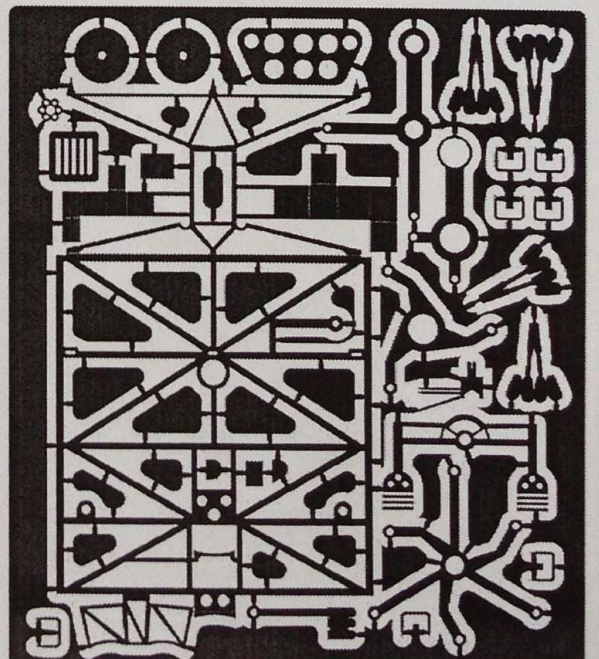
### Metal parts



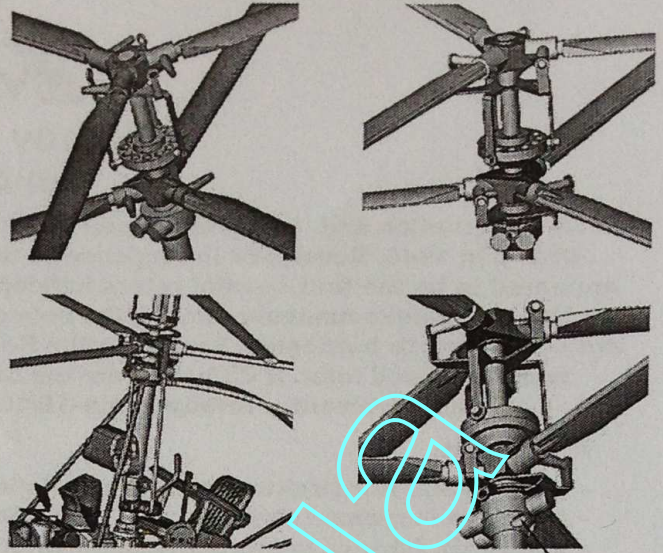
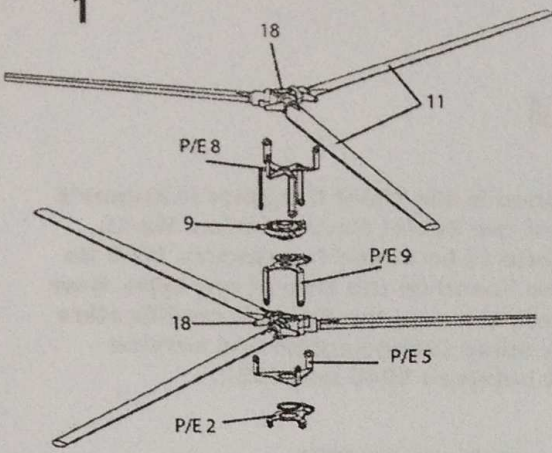
### Figures



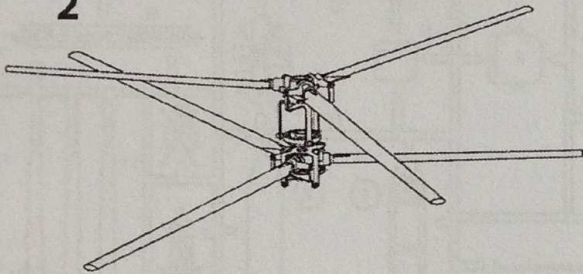
### Film



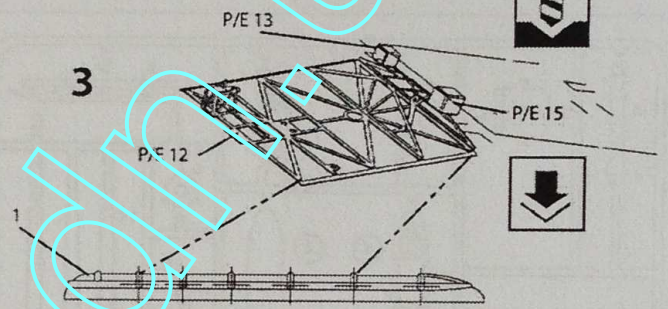
1



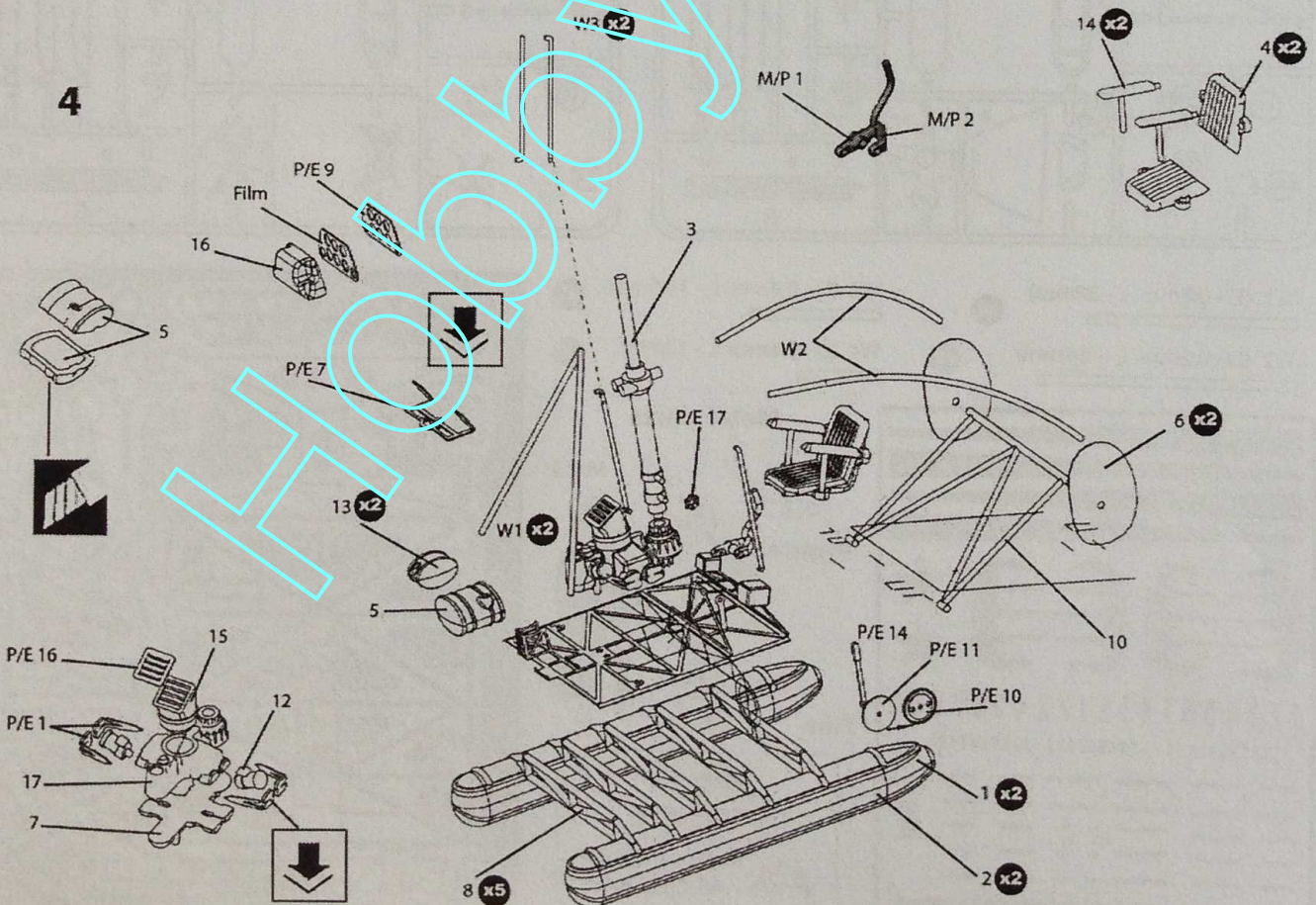
2

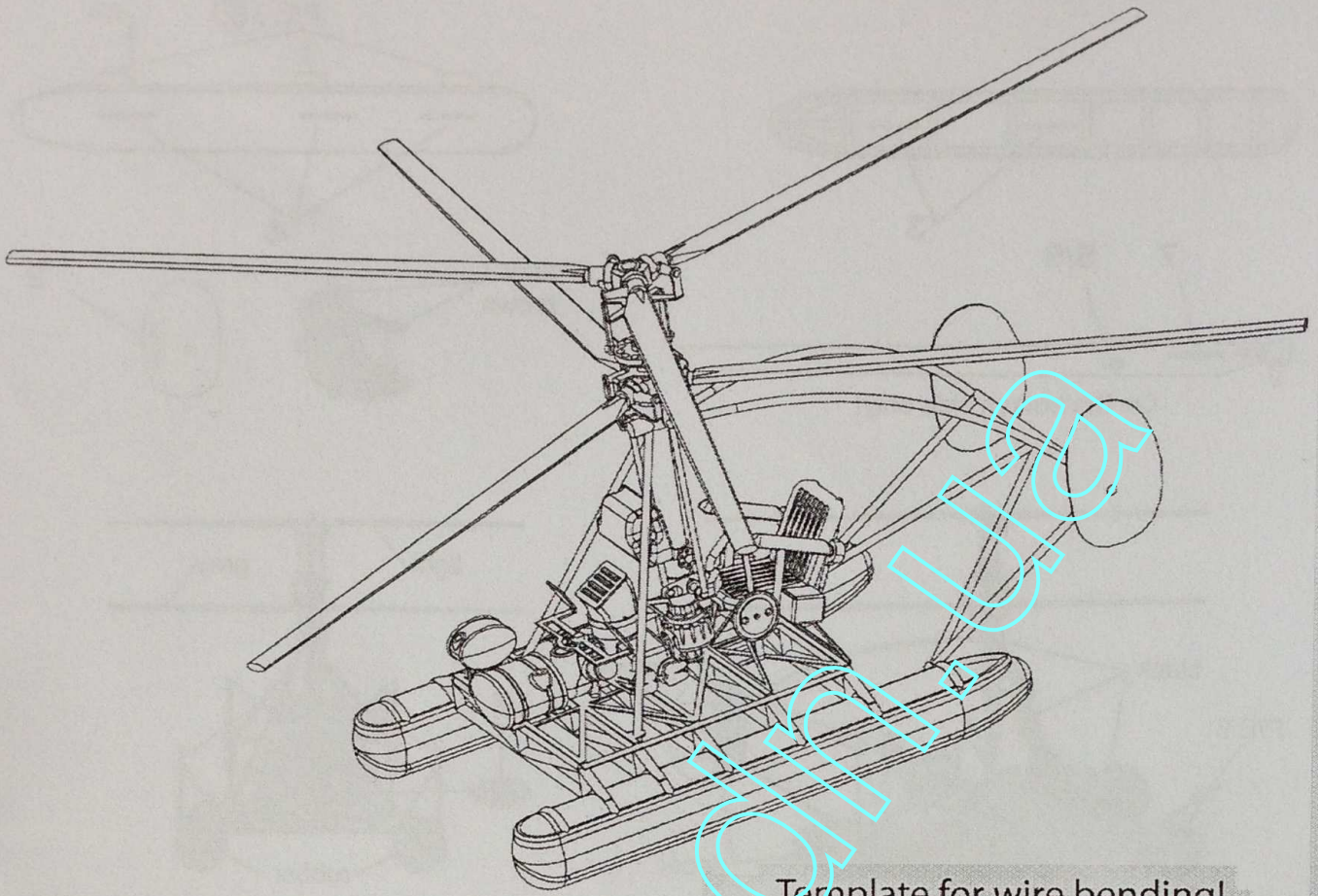


3



4





Template for wire bending!



BE CAREFUL



DO NOT CEMENT

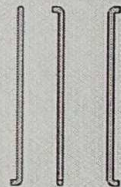
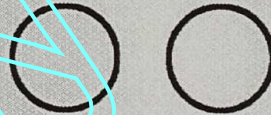


REMOVE



SYMMETRICALLY

∅ 16 mm "Shablon" 1:1



OPTIONAL



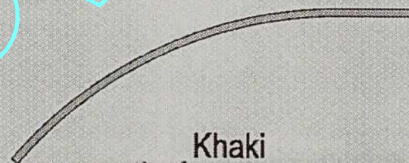
BEND



OPEN WHOLE



MAKE TWO



Khaki

Glass

Black

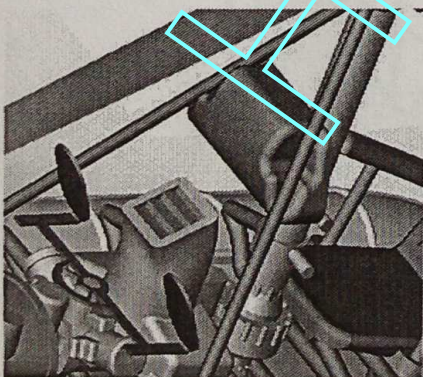
Brown  
Leather

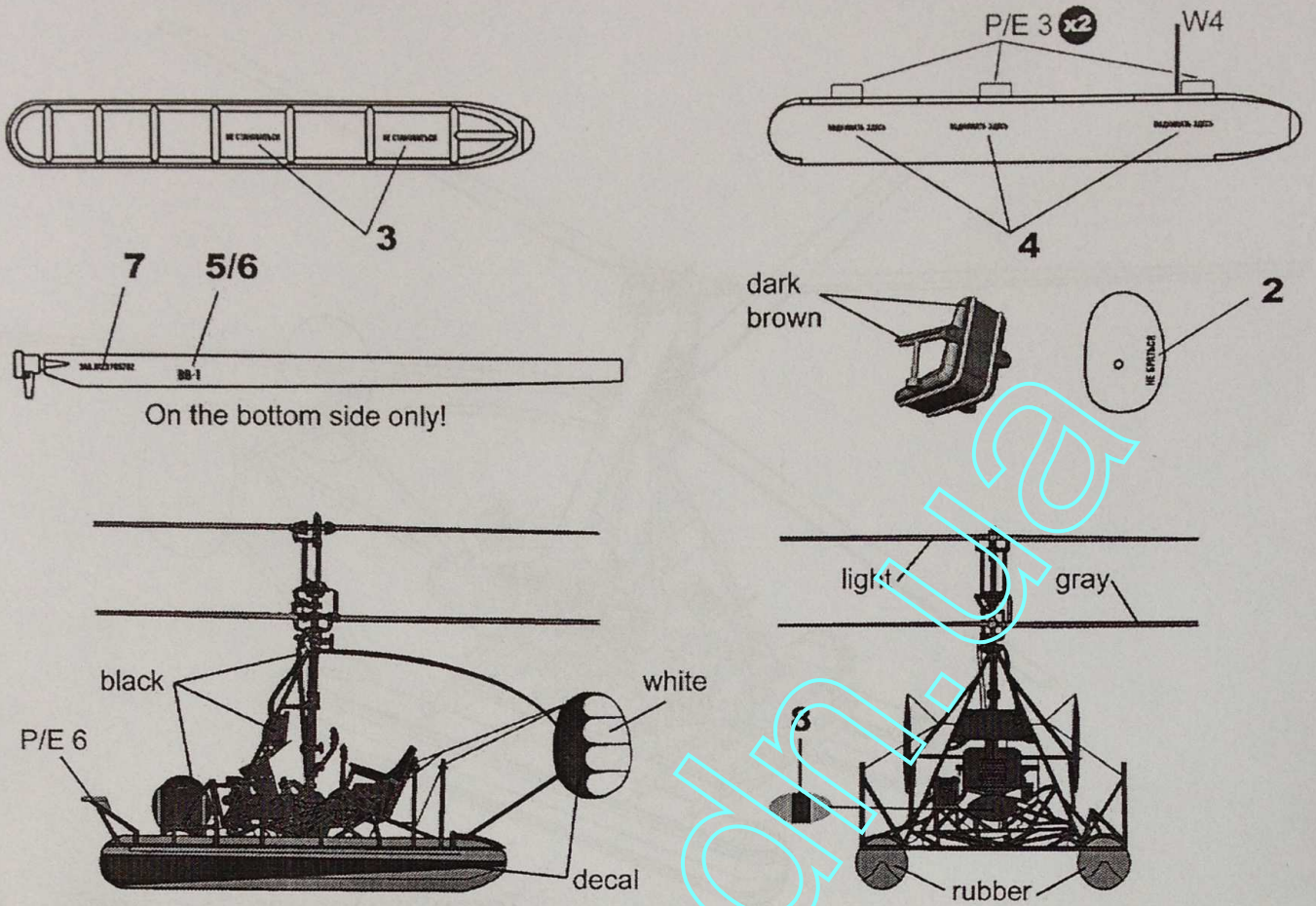
Grey / blue

Khaki

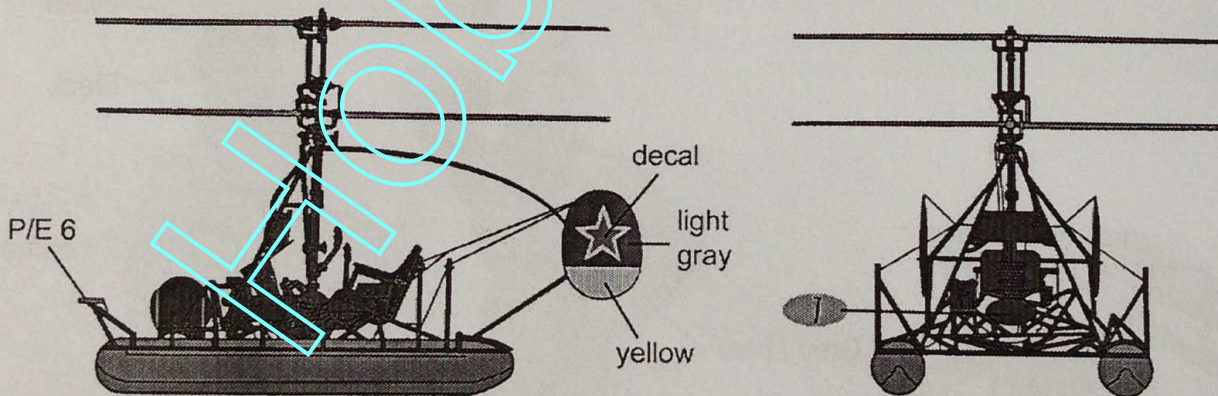
Khaki

Black





**Ka-10M piloted by M.Gurov. 30th August, 1949. Soviet Aviation Celebration Day, Tushino airfield.**



**Ka-10M 8th September, 1952. 220th independent helicopter detachment of the Black Sea Fleet. "Novorossiysk" battleship.**