



MBB Bo-105 Ambulance

PLASTIC MODEL KITS
LIMITED EDITION
CAT.NO.72255



WIDTH : 36 mm
LENGTH : 119 mm
PARTS : 65 pieces
SCALE:1/72



The German Bo-105 is a multi-purpose helicopter developed by the German company MBB (DASA). The helicopter first flew on 25 September in 1967. It is manufactured in military and civil modifications. Till 2001 more than 1200 helicopters of different modifications have been produced.



Bo-105 немецкий многоцелевой вертолет разработан германской компанией MBB (DASA). Совершил первый полет в 1967 году и выпускается в военных и гражданских модификациях. К 2001 году было произведено более 1200 вертолетов различных модификаций.

The model is executed on technology short run and is intended only for experienced modelers
World-wide distributor for AMODEL kits:
IBG, Warsaw, Poland
Fax: (4822) 842-56-29; E-Mail: ibgsc@ibg.com.pl

Модель выполнена по технологии short run и предназначена только для опытных моделистов
Дистрибьютор моделей AMODEL:
IBG, Варшава, Польша
Факс: (4822) 842-56-29; E-Mail: ibgsc@ibg.com.pl



USED SYMBOLS / ИСПОЛЬЗУЕМЫЕ СИМВОЛЫ

1

STAGES OF ASSEMBLY
ЭТАПЫ СБОРКИ

1

NUMBER PARTS
НОМЕР ДЕТАЛИ

1

APPLY DECALS
НАНЕСТИ ДЕКАЛЬ

A

TO PAINT
ОКРАСИТЬ

8

GLUE
КЛЕИТЬ

X

DON'T GLUE
НЕ КЛЕИТЬ

?

OPTIONAL
НА ВЫБОР

H

MAKE A HOLE
ВЫПОЛНИТЬ ОТВЕРСТИЕ

K

DETACH WITH KNIFE
ОТДЕЛИТЬ НОЖОМ

2x

QUANTITY OF OPERATIONS(PARTS)
КОЛИЧЕСТВО ОПЕРАЦИЙ(ДЕТАЛЕЙ)



USED PAINTS / ИСПОЛЬЗУЕМЫЕ КРАСКИ

A



HUMBROL 19
RED
КРАСНЫЙ

B



HUMBROL 24
YELLOW
ЖЕЛТЫЙ

C



HUMBROL 18
ORANGE
ОРАНЖЕВЫЙ

D



HUMBROL 33
BLACK
ЧЕРНЫЙ

E



HUMBROL 87
STEEL GREY
СТАЛЬНОЙ СЕРЫЙ

F



HUMBROL 64
LIGHT GREY
СВЕТЛО СЕРЫЙ

G



HUMBROL 27004
GUN METAL
СТАЛЬНОЙ СЕРЫЙ

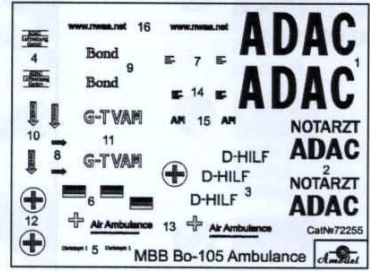
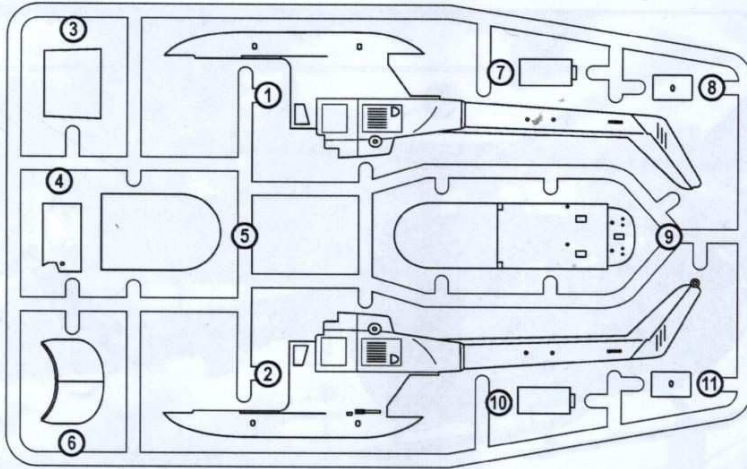
H



HUMBROL 145
MEDIUM GREY
СРЕДНЕ-СЕРЫЙ



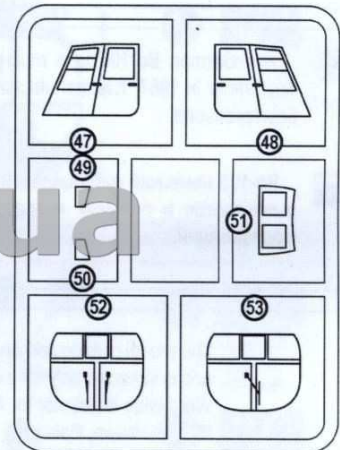
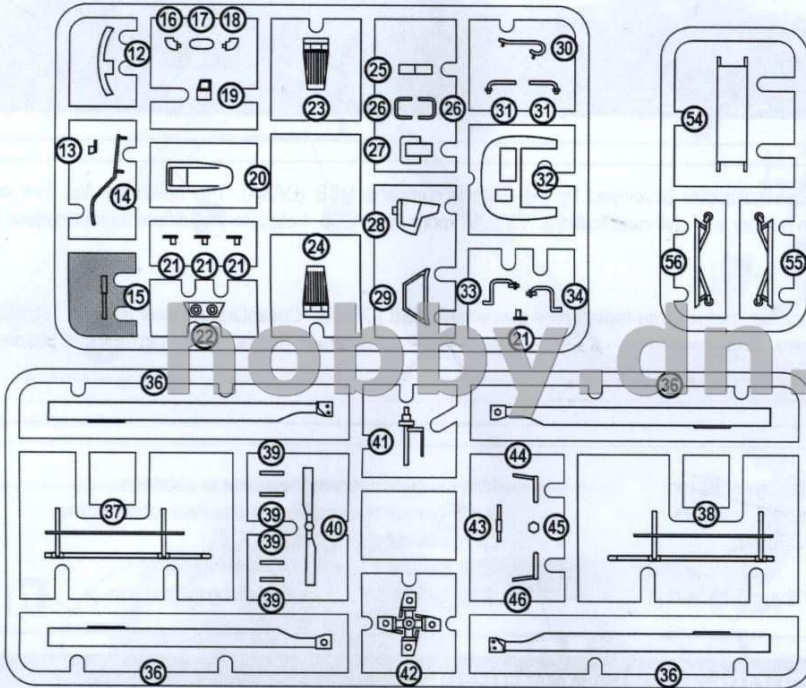
COMPLETE SET / КОМПЛЕКТНОСТЬ



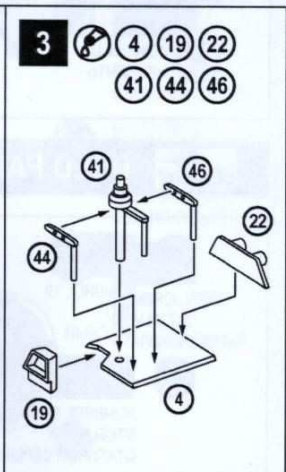
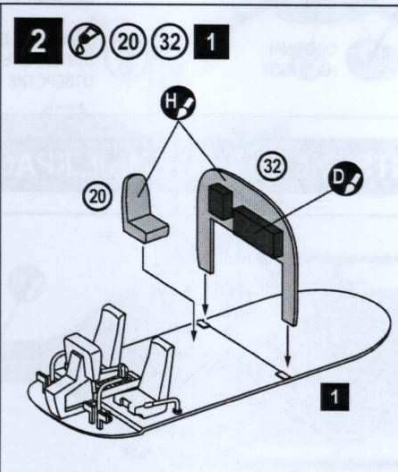
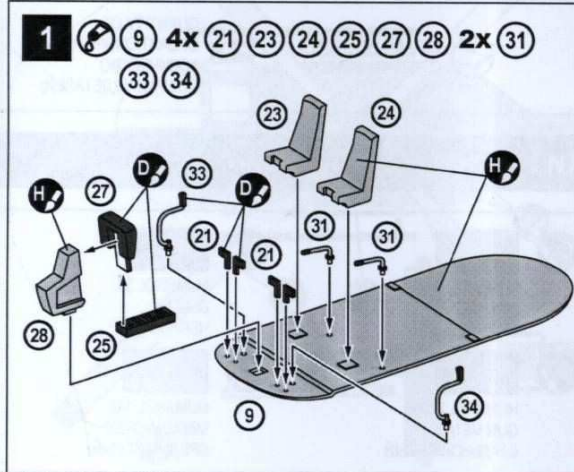
DECALS FOR TWO VERSIONS OF COLOURING
ДЕКАЛЬ ДЛЯ ДВУХ ВАРИАНТОВ ОКРАСКИ

65 DETAILS FOR ASSEMBLY OF ONE MODEL
65 ДЕТАЛЕЙ ДЛЯ СБОРКИ ОДНОЙ МОДЕЛИ

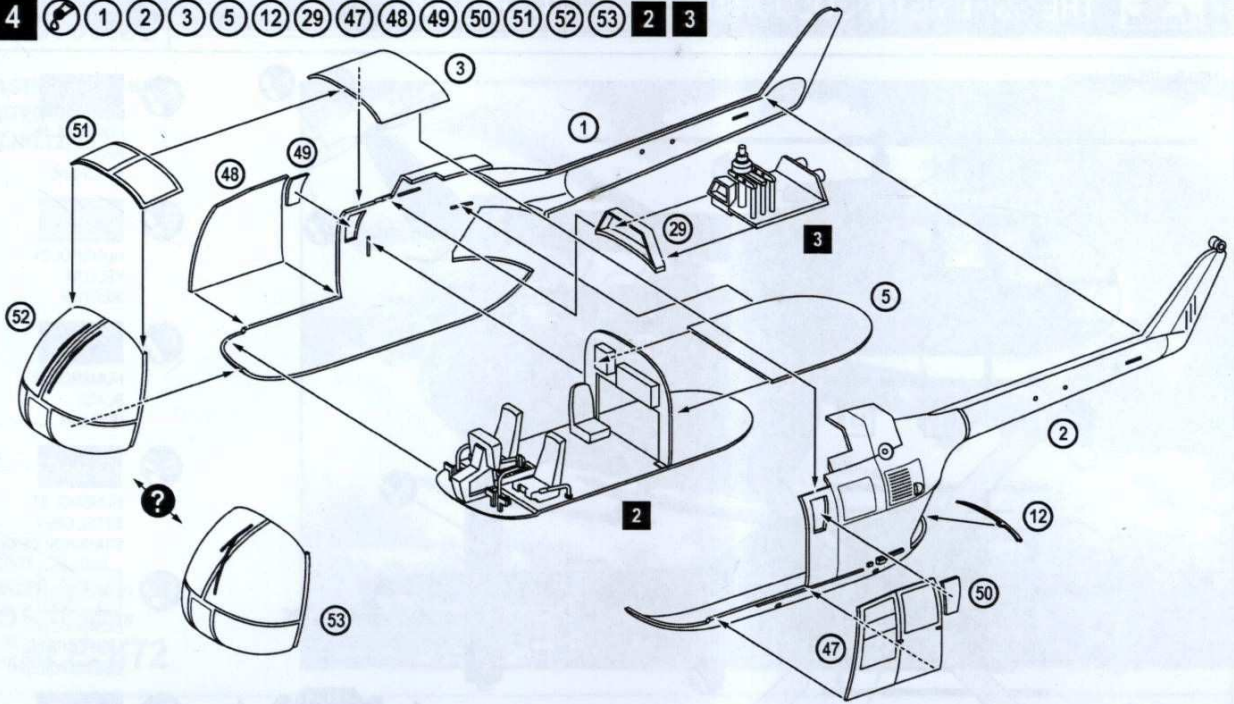
PARTS NOT FOR USE
ПРИ СБОРКЕ НЕ
ИСПОЛЬЗУЮТСЯ



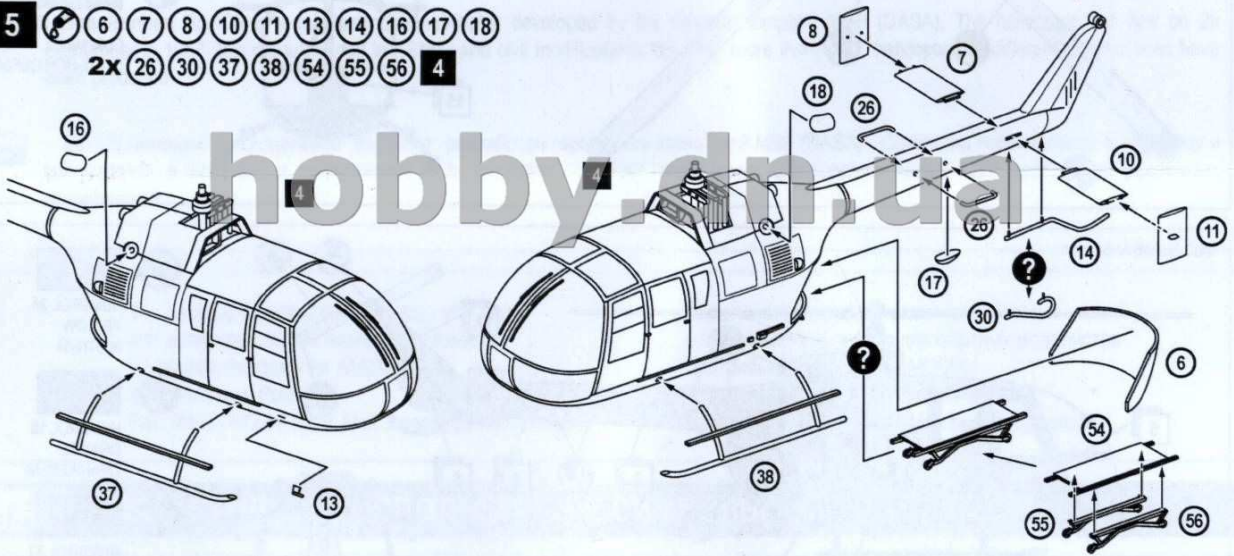
THE SCHEME OF ASSEMBLY / СХЕМА СБОРКИ



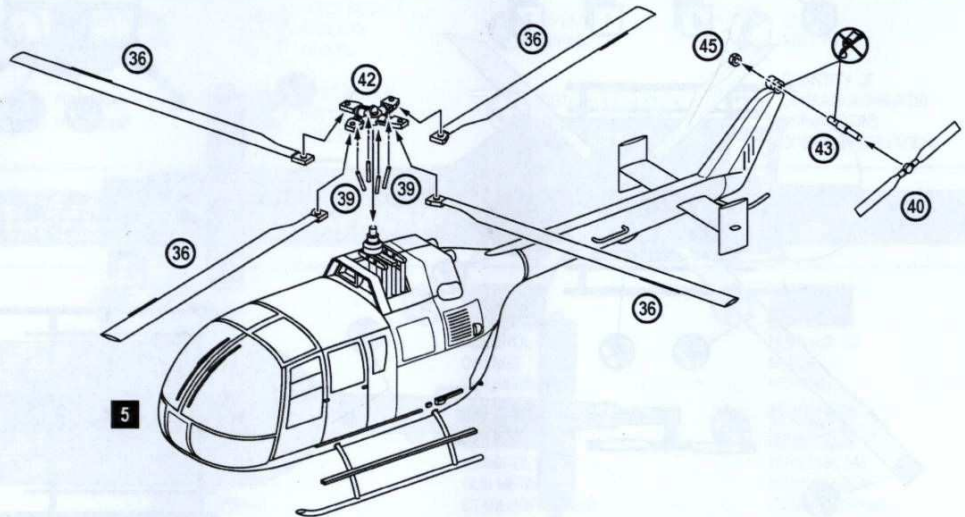
4 1 2 3 5 12 29 47 48 49 50 51 52 53 2 3



5 6 7 8 10 11 13 14 16 17 18
2x 26 30 37 38 54 55 56 4



6 4x 36 4x 39
40 42 43 45
5





THE SCHEME OF COLOURING / СХЕМА ОКРАСКИ

MBB Bo-105 Ambulance

Painting scheme for the MBB Bo-105 Ambulance (G-T VAM). The helicopter is shown in three views: top, side, and front. The main body is black (D). The rotor hub is red (A). The rotor blades are yellow (B). The landing gear is black (D). The tail boom is black (D). The tail rotor hub is red (A). The tail rotor blades are yellow (B). The landing gear doors are black (D). The landing gear struts are steel grey (E). The landing gear wheels are light grey (F). The landing gear fairings are steel grey (G). The landing gear doors are black (D). The landing gear struts are steel grey (E). The landing gear wheels are light grey (F). The landing gear fairings are steel grey (G). The landing gear doors are black (D). The landing gear struts are steel grey (E). The landing gear wheels are light grey (F). The landing gear fairings are steel grey (G).

- A** HUMBROL 19 RED КРАСНЫЙ
- B** HUMBROL 24 YELLOW ЖЕЛТЫЙ
- D** HUMBROL 33 BLACK ЧЕРНЫЙ
- E** HUMBROL 87 STEEL GREY СТАЛЬНОЙ СЕРЫЙ
- F** HUMBROL 64 LIGHT GREY СВЕТЛО СЕРЫЙ
- G** HUMBROL 27004 GUN METAL СТАЛЬНОЙ СЕРЫЙ

MBB Bo-105 Ambulance

Painting scheme for the MBB Bo-105 Ambulance (ADAC). The helicopter is shown in three views: top, side, and front. The main body is black (D). The rotor hub is yellow (B). The rotor blades are yellow (B). The landing gear is black (D). The tail boom is black (D). The tail rotor hub is yellow (B). The tail rotor blades are yellow (B). The landing gear doors are black (D). The landing gear struts are steel grey (E). The landing gear wheels are light grey (F). The landing gear fairings are steel grey (G). The landing gear doors are black (D). The landing gear struts are steel grey (E). The landing gear wheels are light grey (F). The landing gear fairings are steel grey (G). The landing gear doors are black (D). The landing gear struts are steel grey (E). The landing gear wheels are light grey (F). The landing gear fairings are steel grey (G).

- B** HUMBROL 24 YELLOW ЖЕЛТЫЙ
- C** HUMBROL 18 ORANGE ОРАНЖЕВЫЙ
- D** HUMBROL 33 BLACK ЧЕРНЫЙ
- E** HUMBROL 87 STEEL GREY СТАЛЬНОЙ СЕРЫЙ
- F** HUMBROL 64 LIGHT GREY СВЕТЛО СЕРЫЙ
- G** HUMBROL 27004 GUN METAL СТАЛЬНОЙ СЕРЫЙ