

PLASTIC MODEL KITS
LIMITED EDITION
CAT.NO.72296



SPAN : 168 mm
LENGTH : 210 mm
PARTS : 217 pieces
SCALE:1/72



The Learjet Model 35 and Model 36 are a series of American multi-role business jets and military transport aircraft manufactured by Learjet. When used by the United States Air Force they carry the designation C-21A. Its cabin can be arranged for 6-8 passengers. The longer-range Model 36 has a shortened passenger area to provide more space in the aft fuselage for fuel tanks. This testbed aircraft first flew in May, 1971.

The model is executed on technology short run and is intended only for experienced modelers

Word-wide distributor for AMODEL kits: IBG, Warszawa, Poland
Fax: (4822)842-56-29; E-Mail: ibgsc@ibg.com.pl



USED SYMBOLS

1

STAGES OF ASSEMBLY

1

NUMBER PARTS

1

APPLY DECALS

A

TO PAINT



GLUE



DON'T GLUE

?

OPTIONAL



MAKE A HOLE



DETACH WITH KNIFE

2x

QUANTITY OF OPERATIONS(PARTS)



USED PAINTS

A



HUMBROL 22
WHITE

B



HUMBROL 21
BLACK

C



HUMBROL 27002
POLISHED ALUMINIUM

D



HUMBROL 27004
GUN METAL

E



HUMBROL 145
MEDIUM GREY

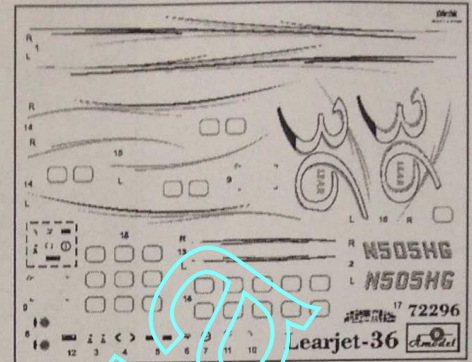
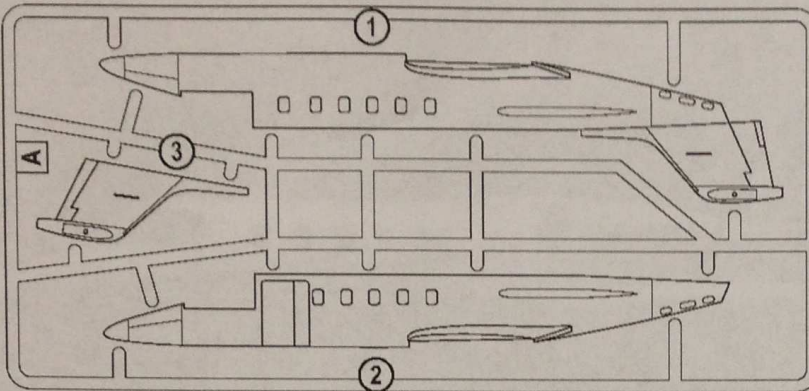
F



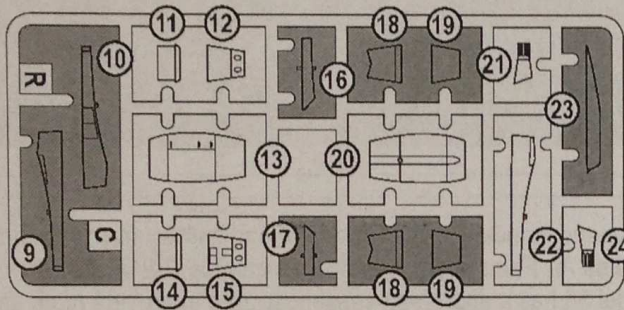
HUMBROL 33
BLACK

217 DETAILS FOR ASSEMBLY
OF ONE MODEL

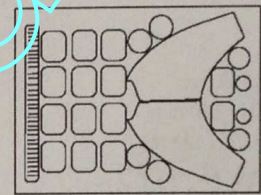
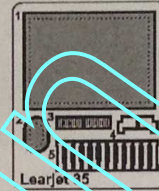
PARTS NOT FOR USE



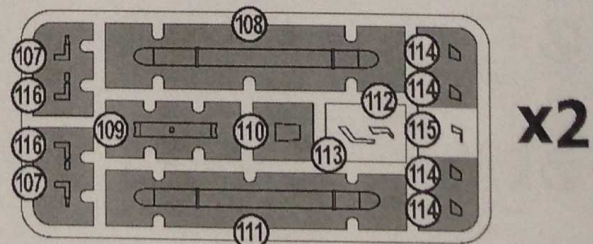
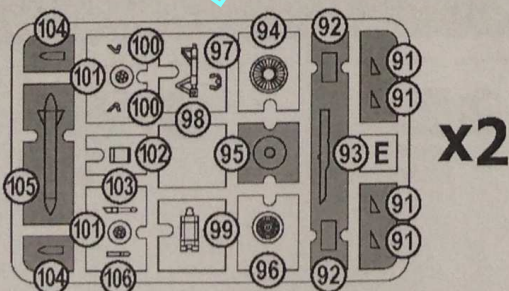
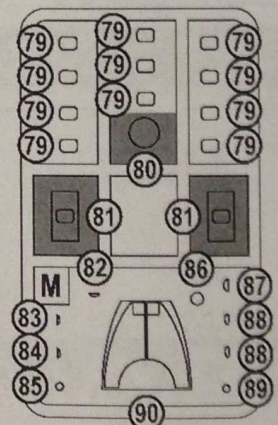
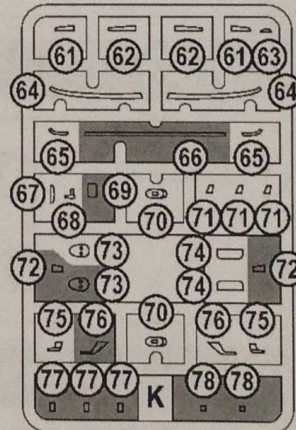
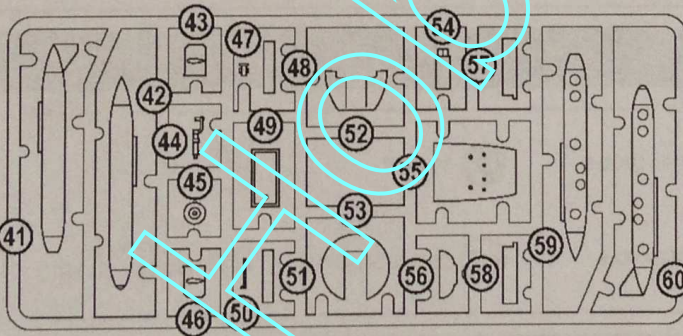
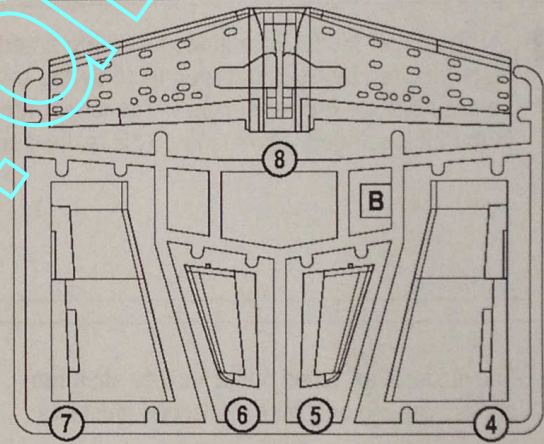
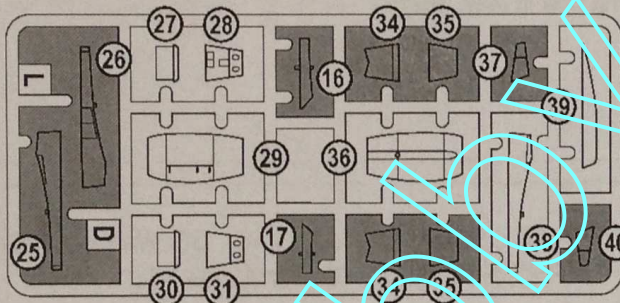
DECALS FOR ONE VERSION OF COLOURING



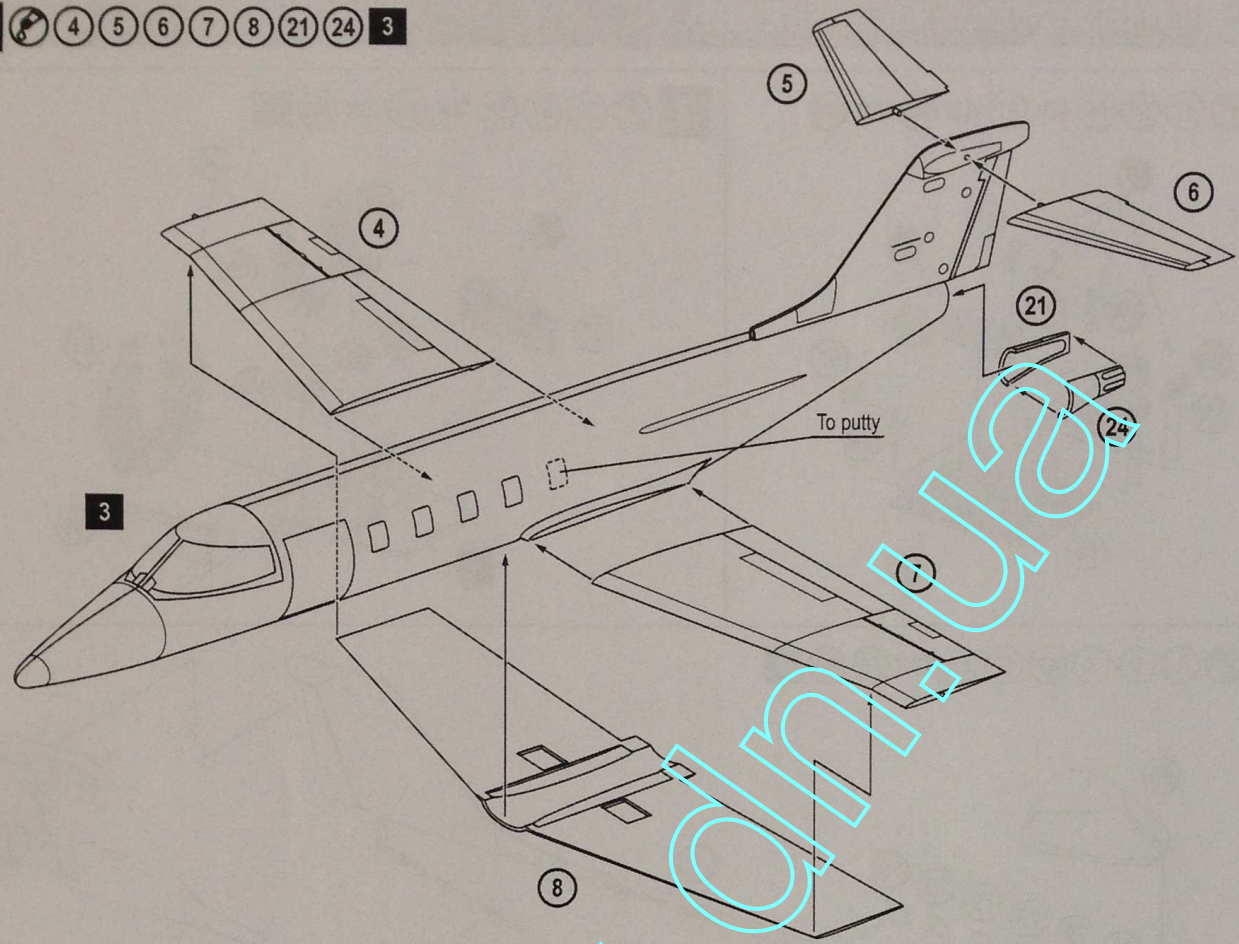
P



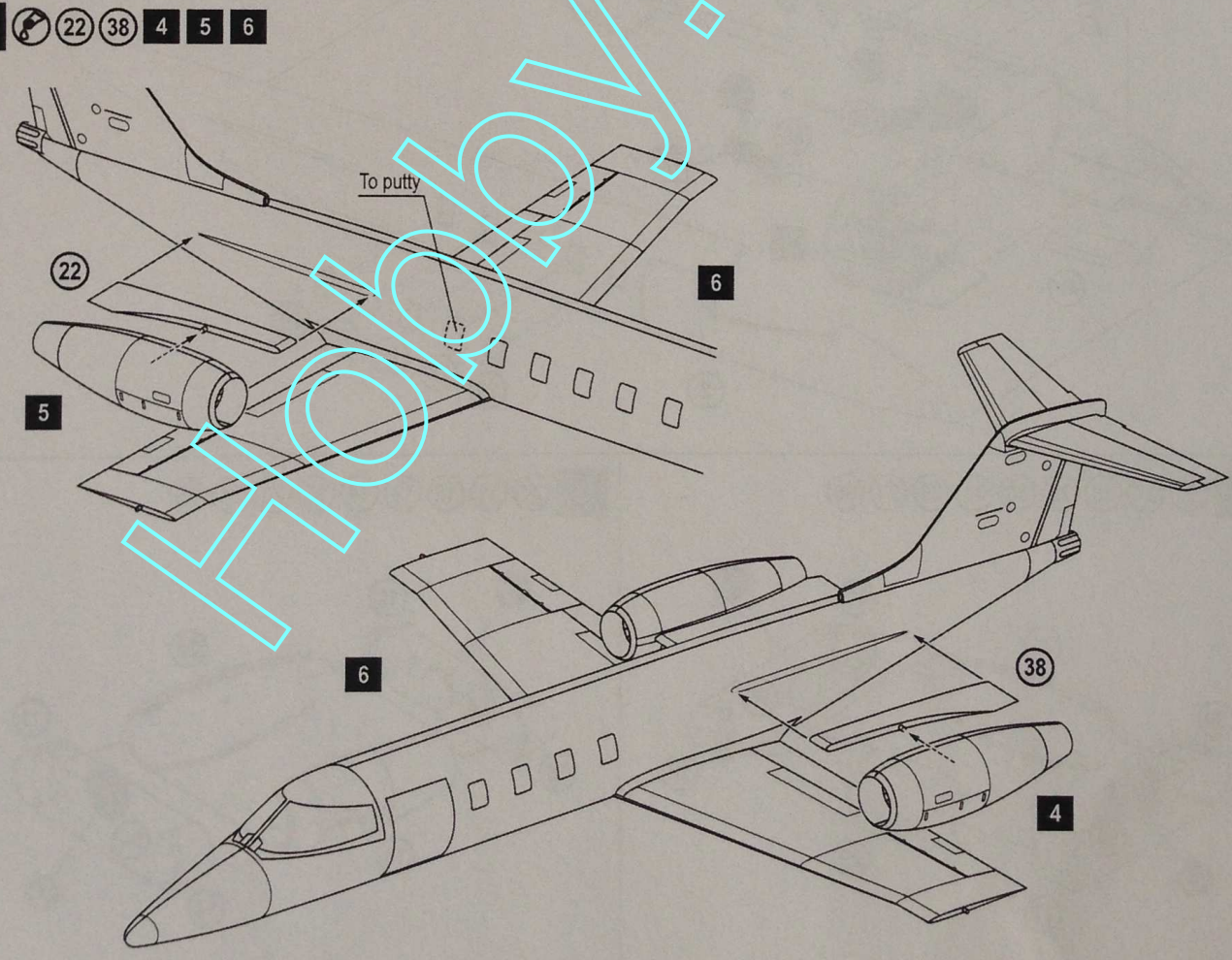
MASKS FOR PAINTING



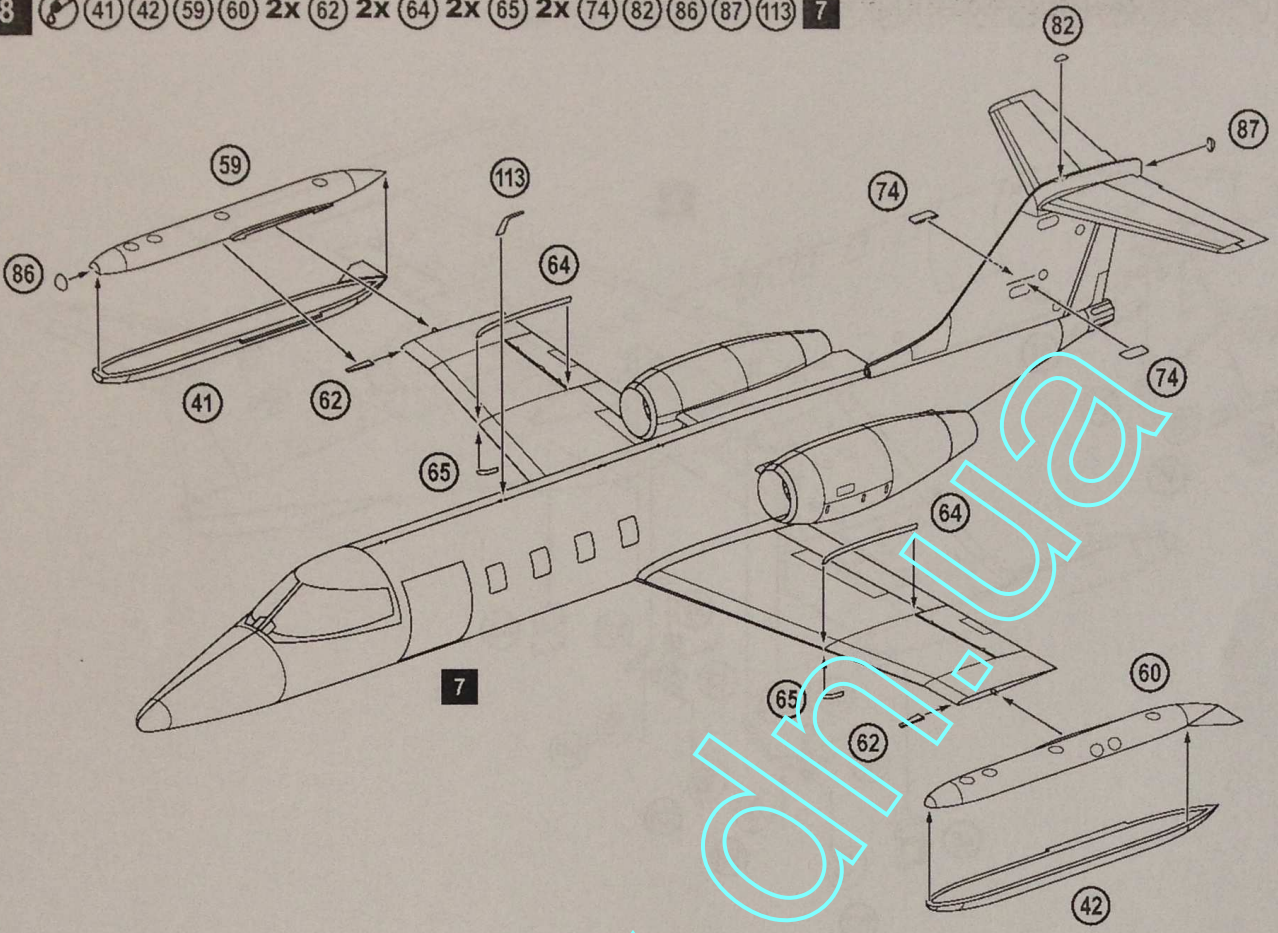
6 4 5 6 7 8 21 24 3



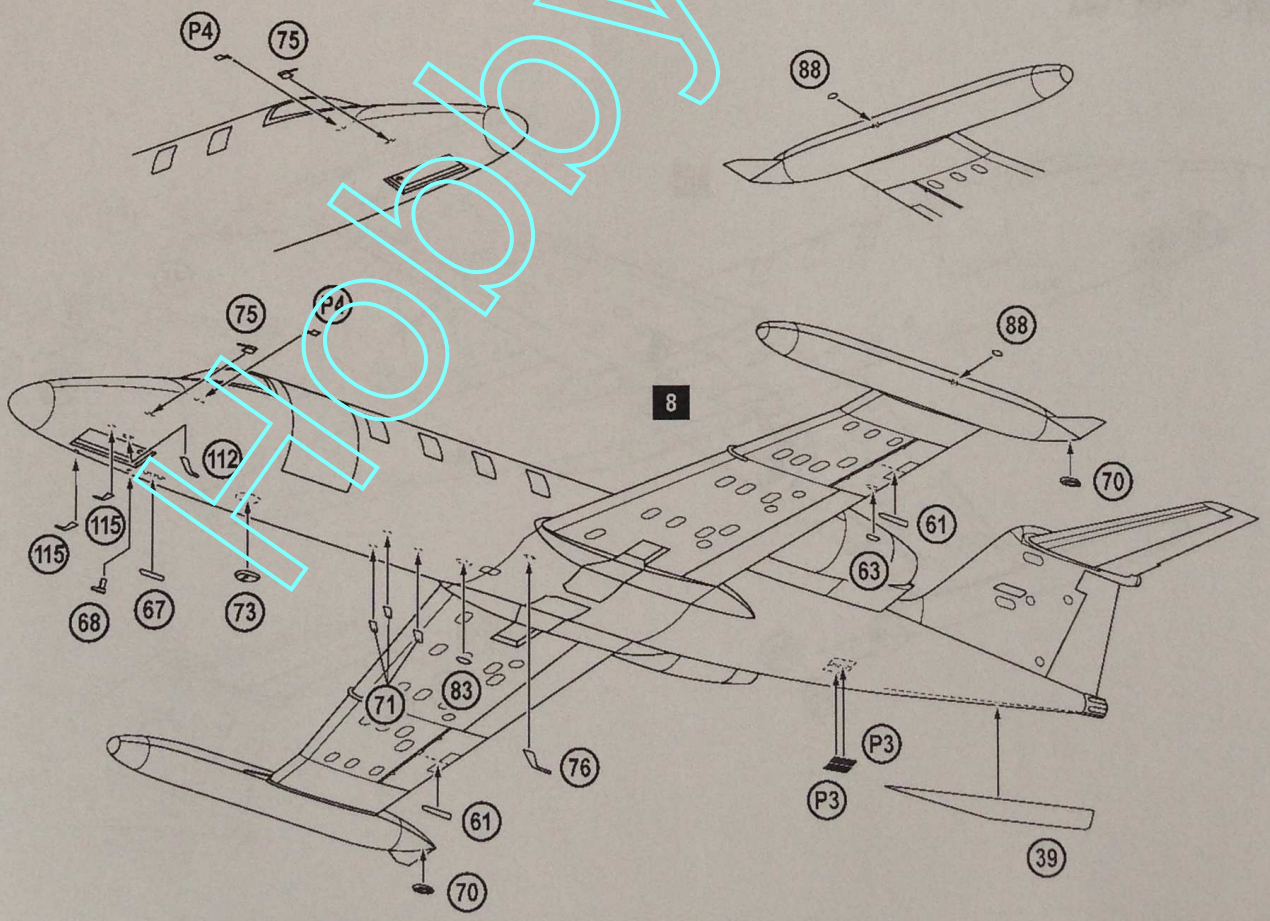
7 22 38 4 5 6

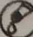


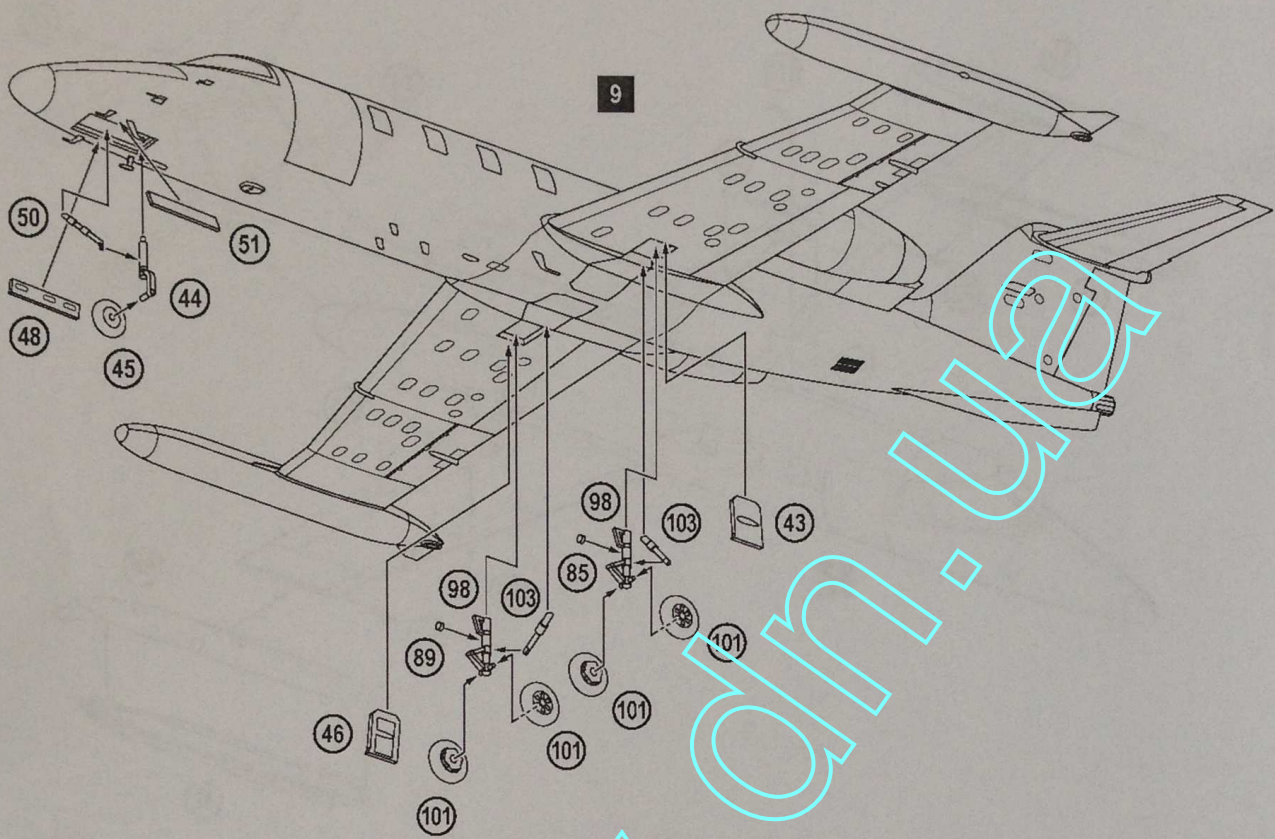
8 41 42 59 60 2x 62 2x 64 2x 65 2x 74 82 86 87 113 7




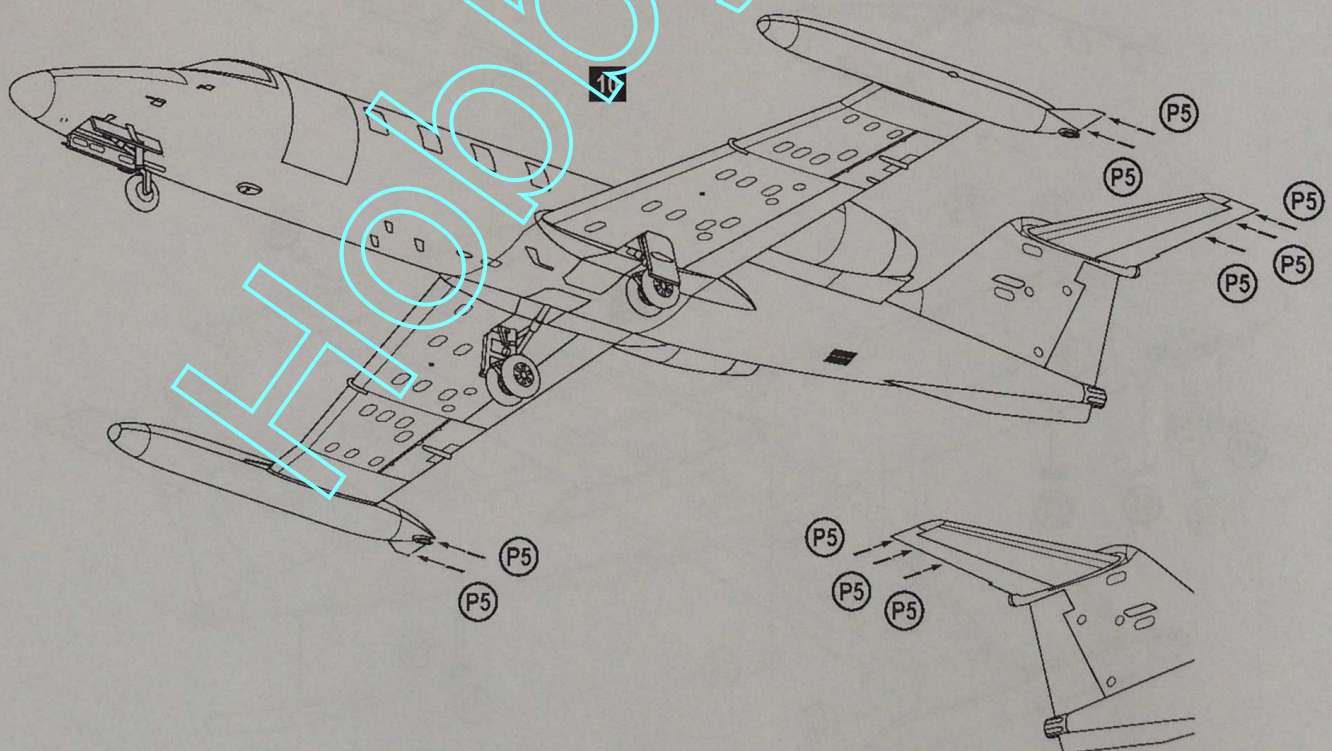
9 39 2x 61 63 67 68 2x 70 3x 71 73 2x 75 76 83 2x 88 112 2x 115 2x P3 2x P4 8



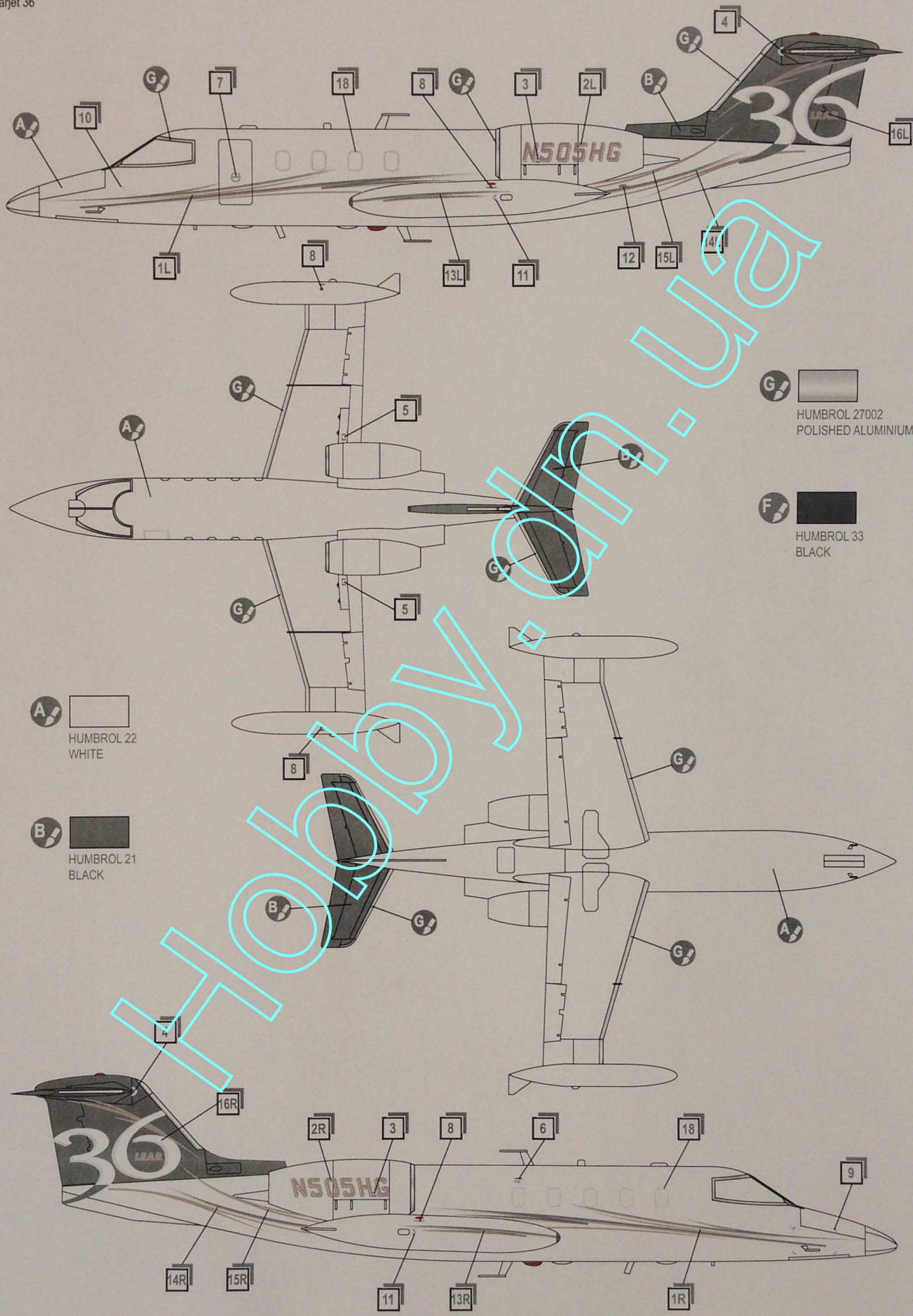
10  43 44 45 46 48 50 51 85 89 2x 98 2x 101 2x 103 9

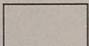


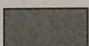
11  10x P5 10

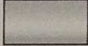


Learjet 36



A 
HUMBROL 22
WHITE

B 
HUMBROL 21
BLACK

G 
HUMBROL 27002
POLISHED ALUMINIUM

F 
HUMBROL 33
BLACK