

PLASTIC MODEL KITS
LIMITED EDITION
CAT.NO.72376



SPAN : 188 mm
LENGTH : 120 mm
PARTS : 84 pieces
SCALE:1/72



The Diamond DA42 Twin Star is a four seat, twin-engine composite airplane developed and manufactured by Austrian company Diamond Aircraft Industries. In 2004, the DA42 became the first diesel-powered fixed-wing aircraft to perform a non-stop crossing of the North Atlantic. The flight continued 28 hours with average consumption 11.2 gal/h. Currently DA42 is used primary as air taxi, but some government customers employed it in the aerial surveillance role (DA-42MPP).

The model is executed on technology short run and is intended only for experienced modelers.

Word-wide distributor for AMODEL kits: IBG, Warszawa, Poland
Fax: (4822)842-56-29; E-Mail: ibgsc@ibg.com.pl



USED SYMBOLS

1

STAGES OF ASSEMBLY

1

NUMBER PARTS

1

APPLY DECALS

A

TO PAINT

G

GLUE

X

DON'T GLUE

?

OPTIONAL

H

MAKE A HOLE

K

DETACH WITH KNIFE

2x

QUANTITY OF OPERATIONS(PARTS)



USED PAINTS

A



HUMBROL 130
WHITE

B



HUMBROL 33
BLACK

C



HUMBROL 147
LIGHT GREY

D



HUMBROL 27003
POLISHED STEEL

E

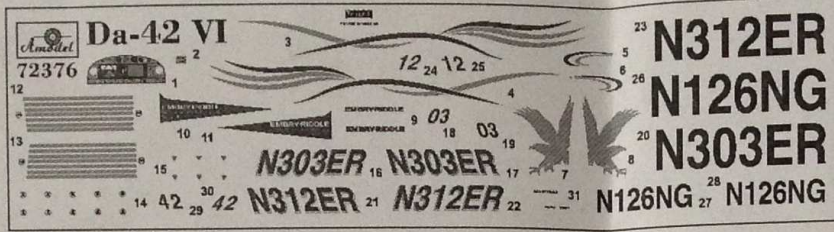


HUMBROL 145
MEDIUM GREY

F



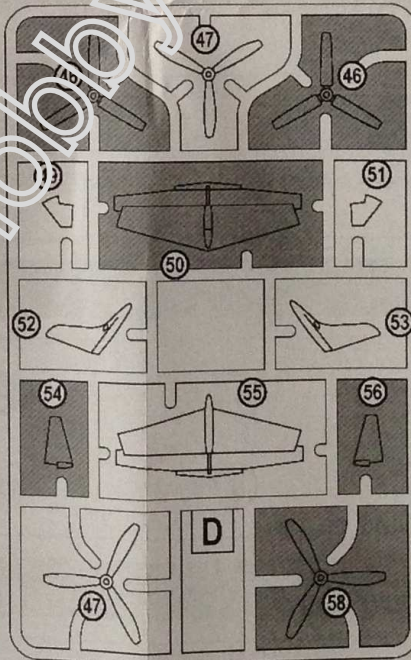
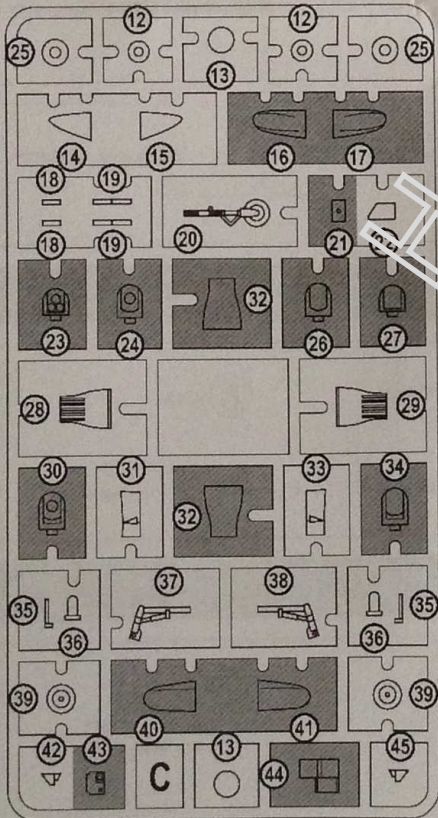
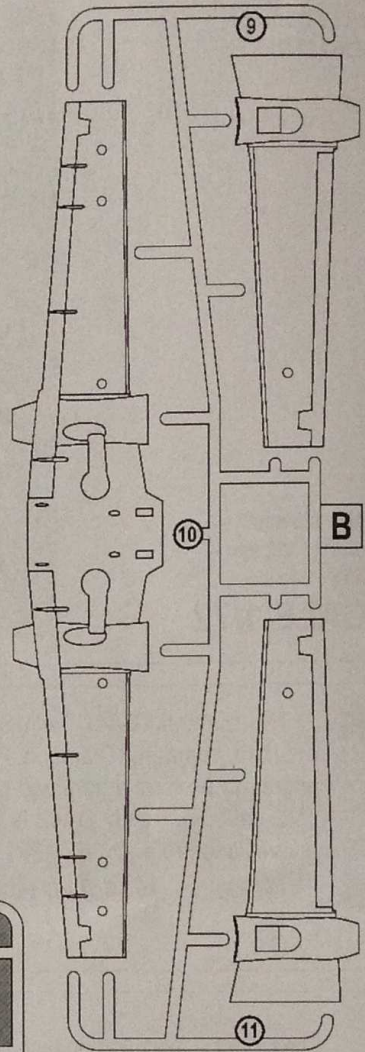
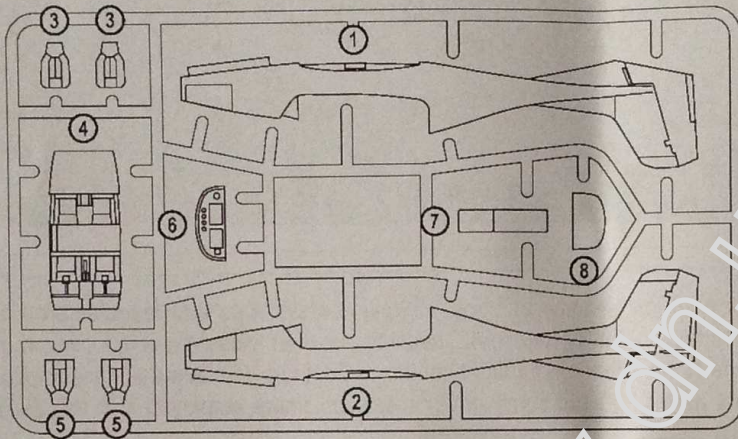
HUMBROL 121
PALE STONE



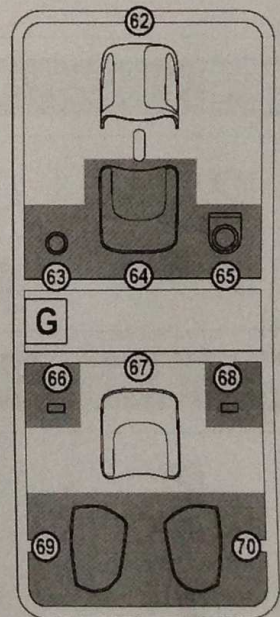
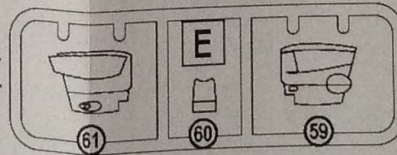
DECALS FOR ONE VERSION OF COLOURING

84 DETAILS FOR ASSEMBLY OF ONE MODEL

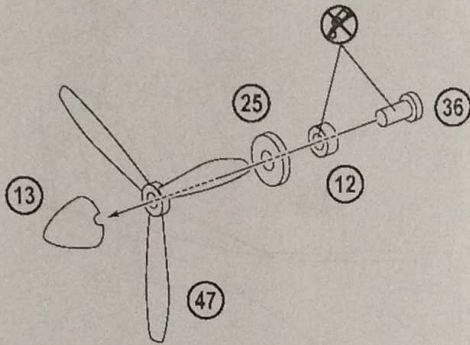
PARTS NOT FOR USE



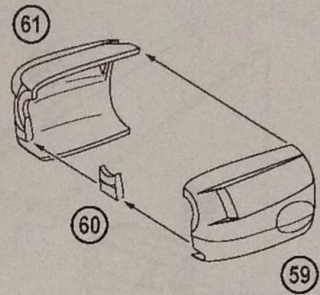
2X



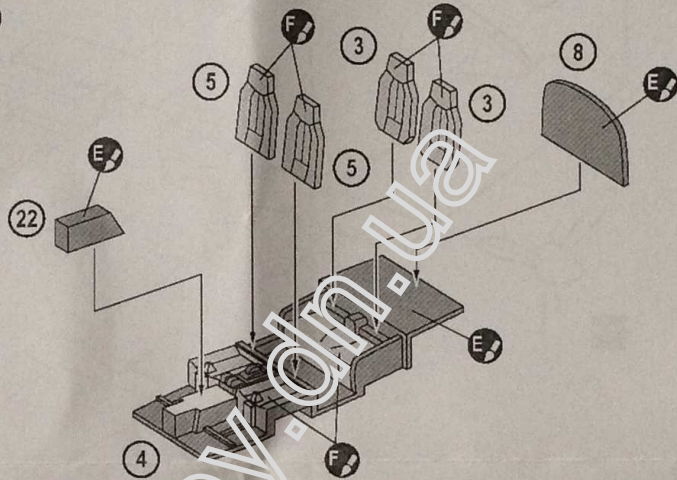
1 2x **12** 2x **13** 2x **25** 2x **36** 2x **47**
2x



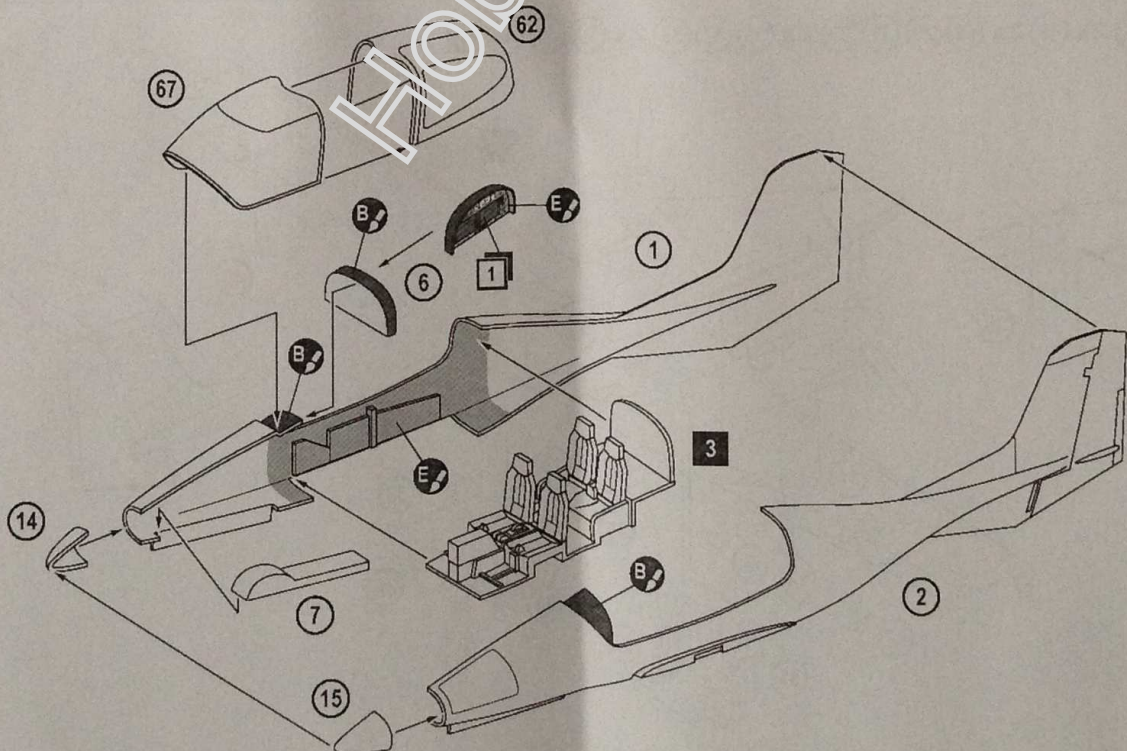
2 2x **59** 2x **60** 2x **61**
2x



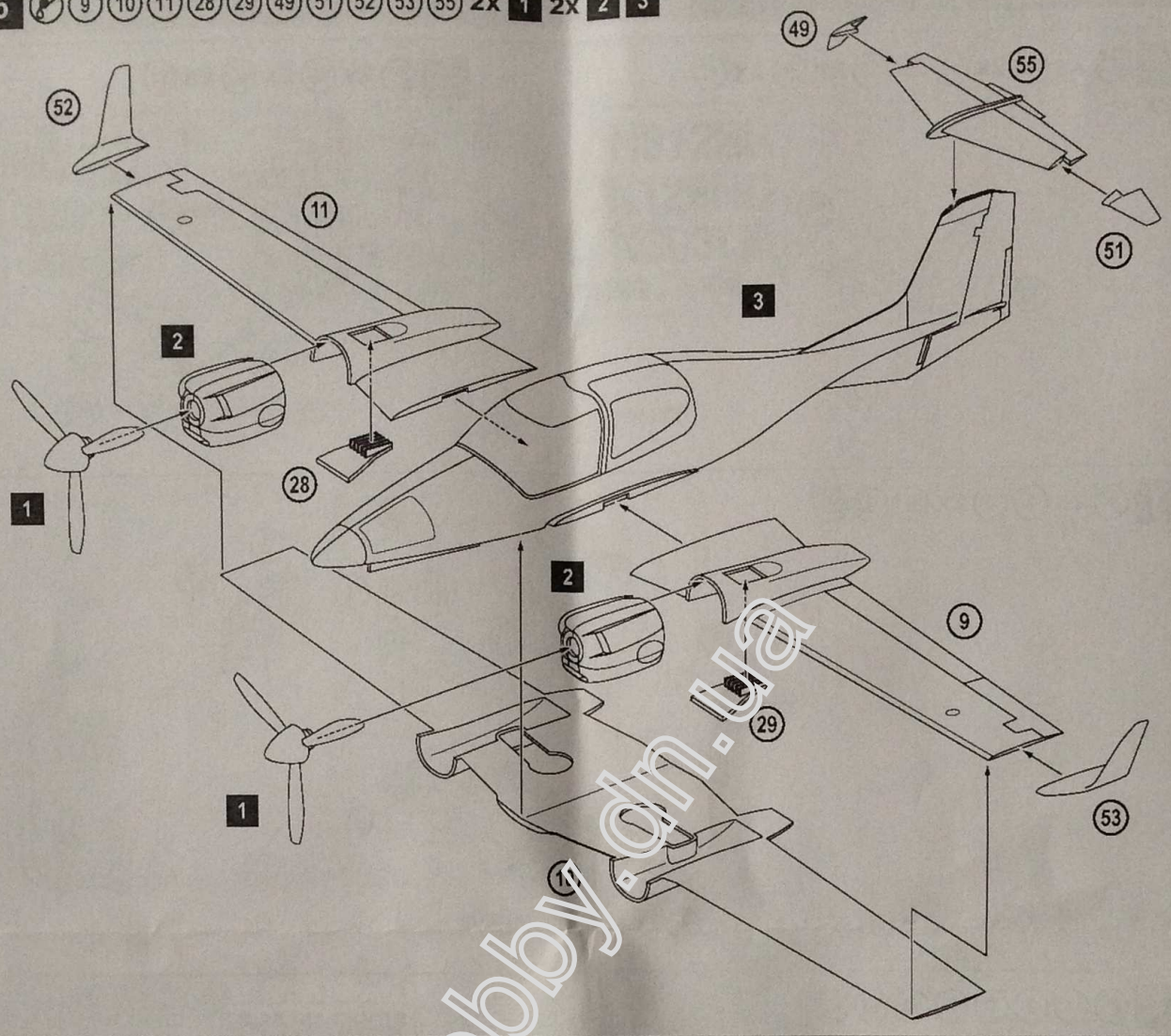
3 2x **3** **4** 2x **5** **8** **22**



4 **1** **2** **6** **7** **14** **15** **62** **67** **3**



5 9 10 11 28 29 49 51 52 53 55 2x 1 2x 2 3



6 2x 18 2x 19 20 31 33 2x 35 37 39 42 45 5

