


PLASTIC MODEL KITS
LIMITED EDITION
CAT.NO.72381



SPAN : 280 mm
LENGTH : 420 mm
PARTS : 213 pieces
SCALE:1/72

 The Embraer ERJ family (for Embraer Regional Jet, model names EMB-135, EMB-140 and EMB-145) are regional jets designed and produced by the Brazilian aerospace company Embraer. The family includes the ERJ135 (37 passengers), ERJ140 (44 passengers), and ERJ145 (50 passengers), as well as the Legacy 600 business jet and the R-99 family of military aircraft.

The model is executed on technology short run and is intended only for experienced modelers

Word-wide distributor for AMODEL kits: IBG, Warszawa, Poland
Fax: (4822)842-56-29; E-Mail: ibgsc@ibg.com.pl


USED SYMBOLS


1 STAGES OF ASSEMBLY

1 NUMBER PARTS


1 APPLY DECALS

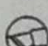
A TO PAINT

 GLUE

 DON'T GLUE

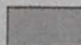
? OPTIONAL


 MAKE A HOLE

 DETACH WITH KNIFE

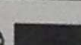
2x QUANTITY OF OPERATIONS(PARTS)

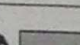
USED PAINTS

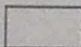
A 
HUMBROL 147
LIGHT GREY


B 
HUMBROL 25
BLUE

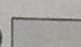
C 
HUMBROL 27002
POLISHED ALUMINIUM

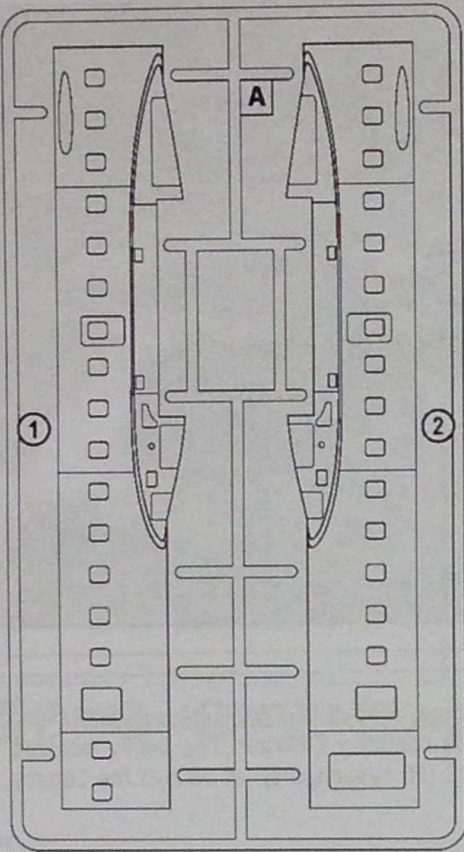
D 
HUMBROL 33
BLACK

E 
HUMBROL 145
MEDIUM GREY

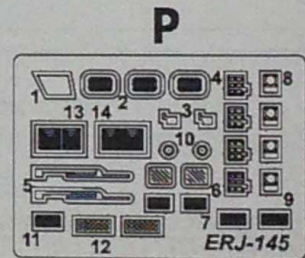
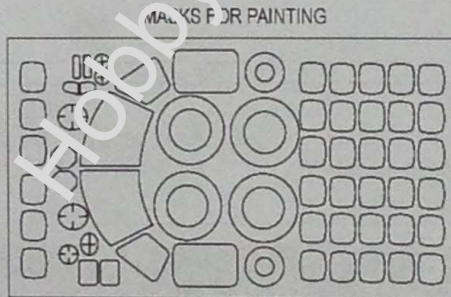
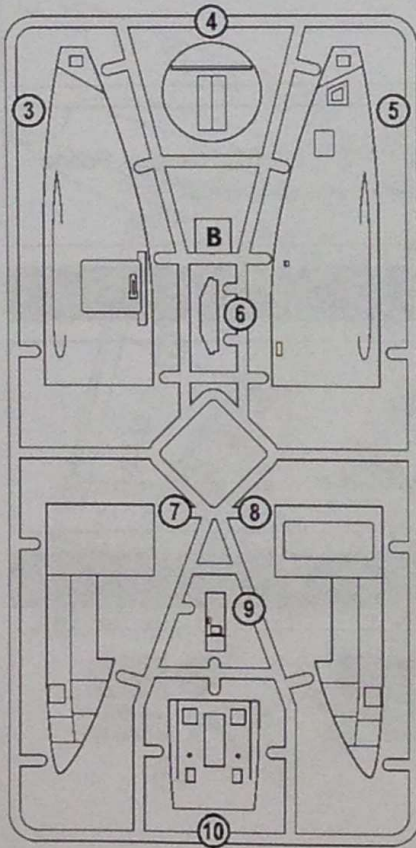
F 
HUMBROL 22
WHITE

G 
HUMBROL 53
GUNMETAL

H 
HUMBROL 19
YELLOW

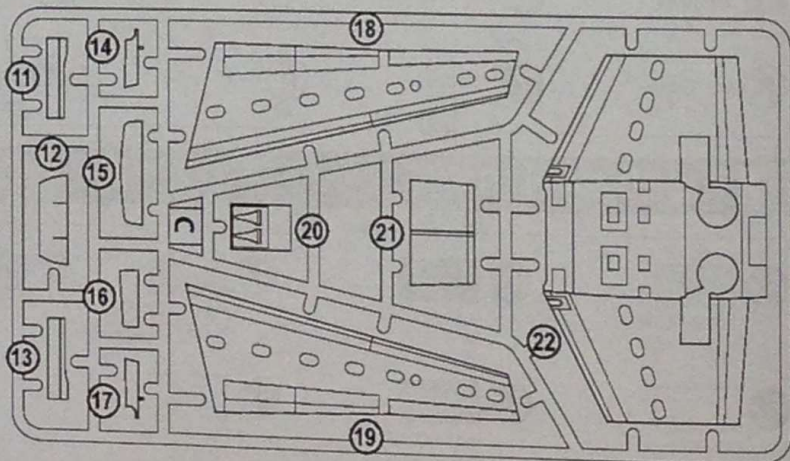


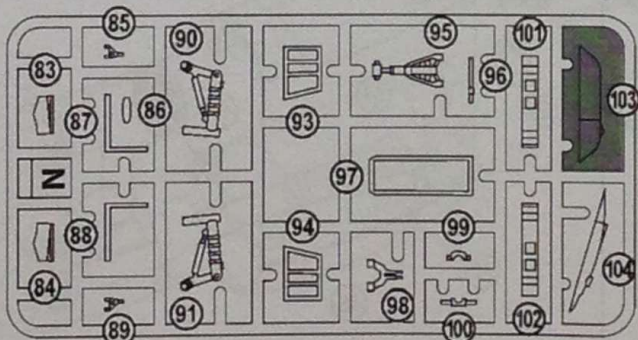
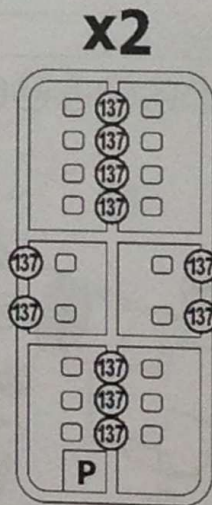
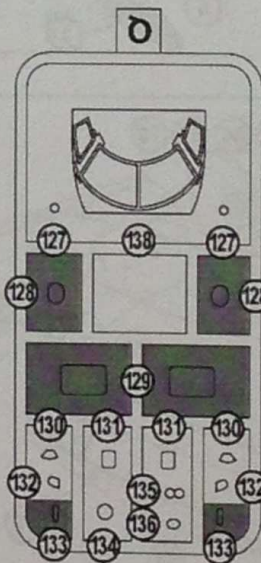
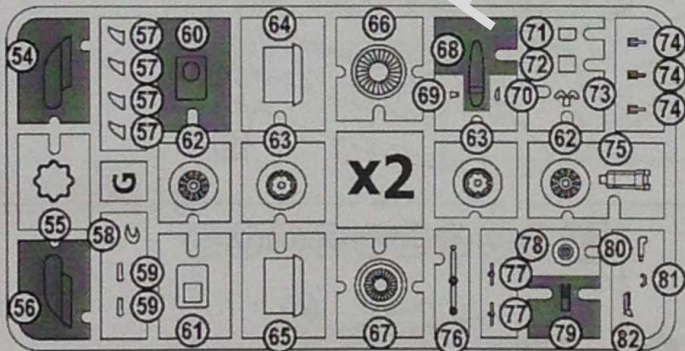
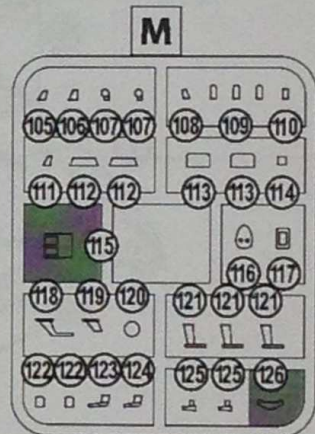
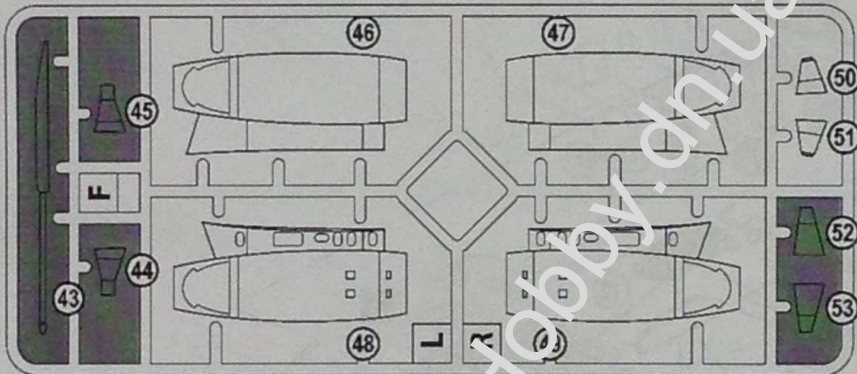
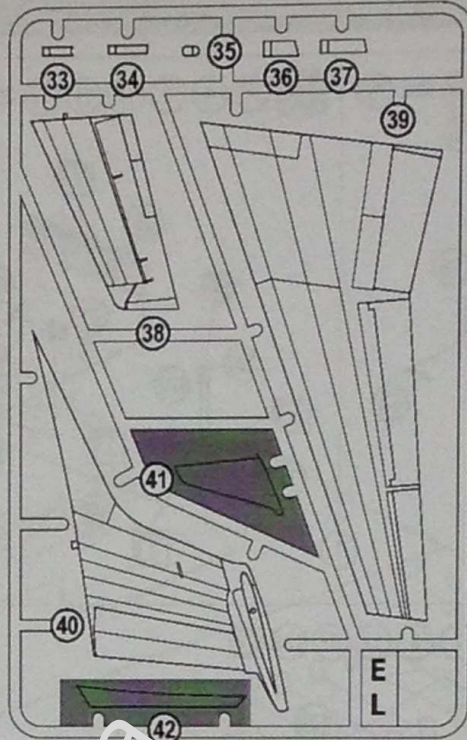
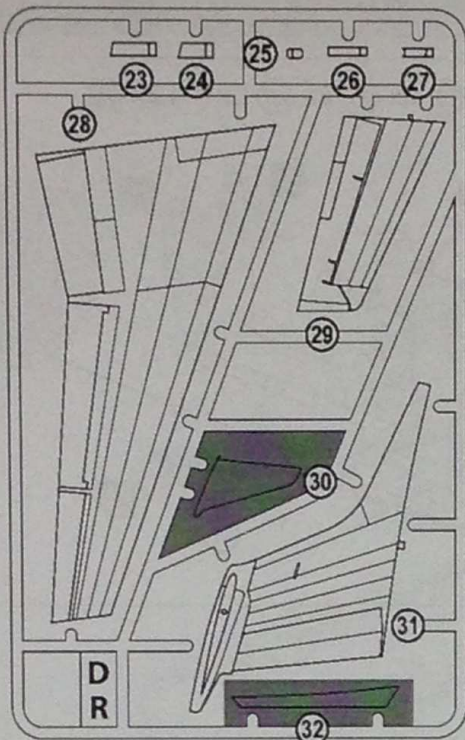
DECALS FOR TWO VERSIONS
OF COLOURING



213 DETAILS FOR ASSEMBLY
OF ONE MODEL

PARTS NOT FOR USE

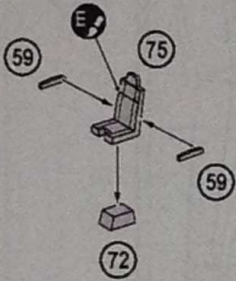




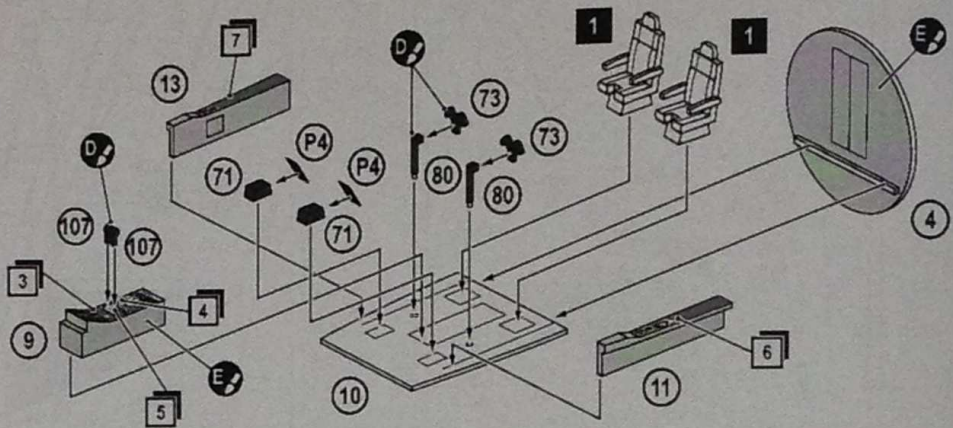


THE SCHEME OF ASSEMBLY

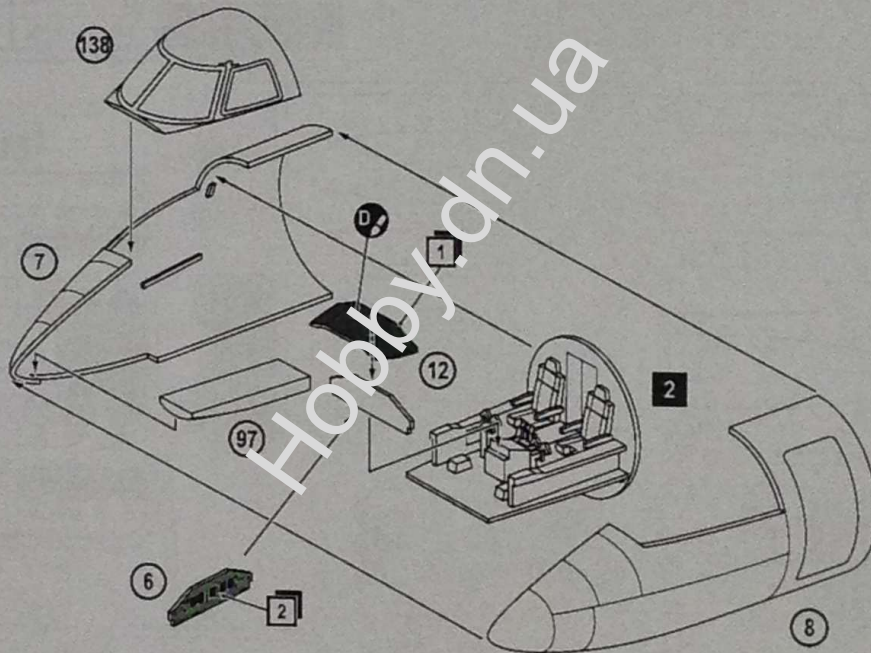
1 4x (59) 2x (72)
2x (75)



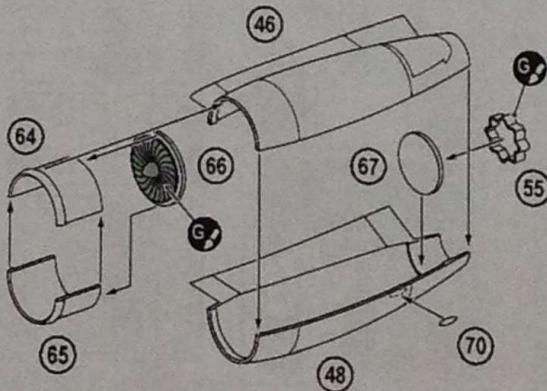
2 (4) (9) (10) (11) (13) 2x (71) 2x (73) 2x (80) 2x (107) 2x (P4) 2x (1)



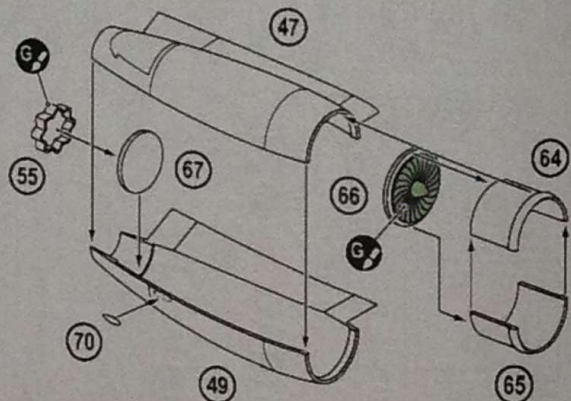
3 (6) (7) (8) (12) (97) (138) 2




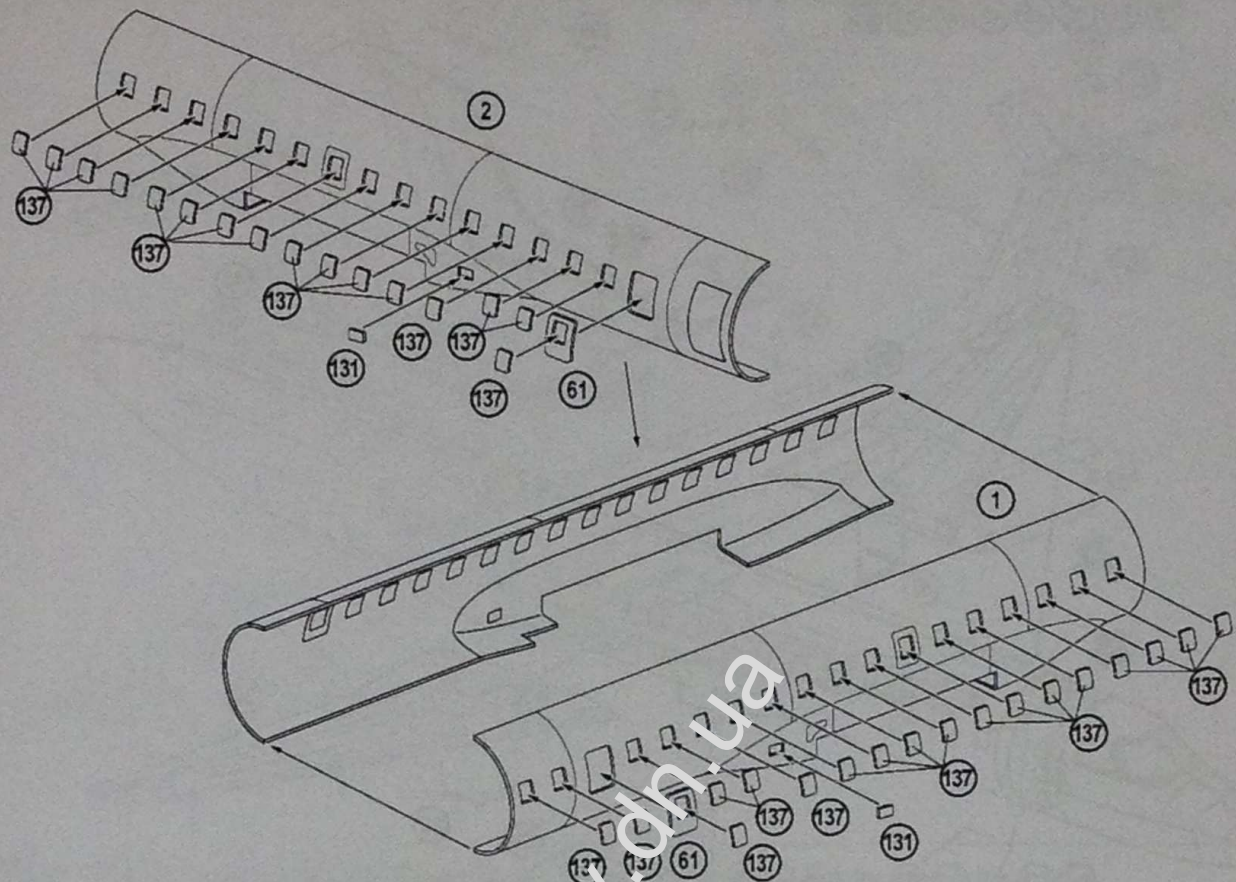
4 (46) (48) (55) (64) (65) (66) (67) (70)




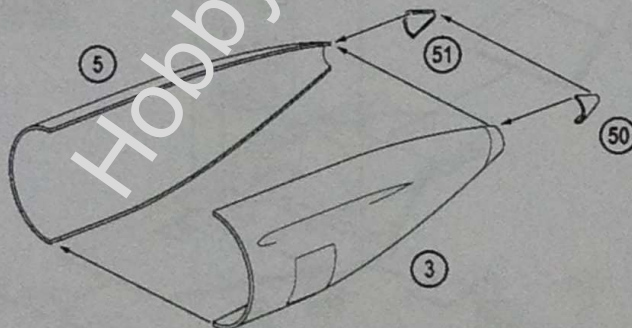
5 (47) (49) (55) (64) (65) (66) (67) (70)




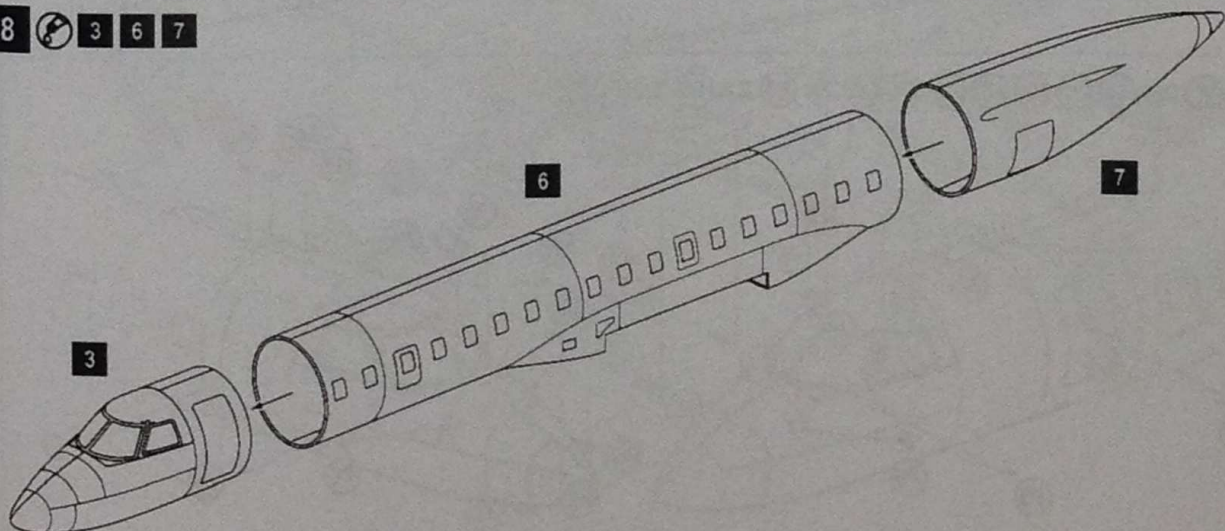
6  1 2 2x 61 2x 131 34x 137




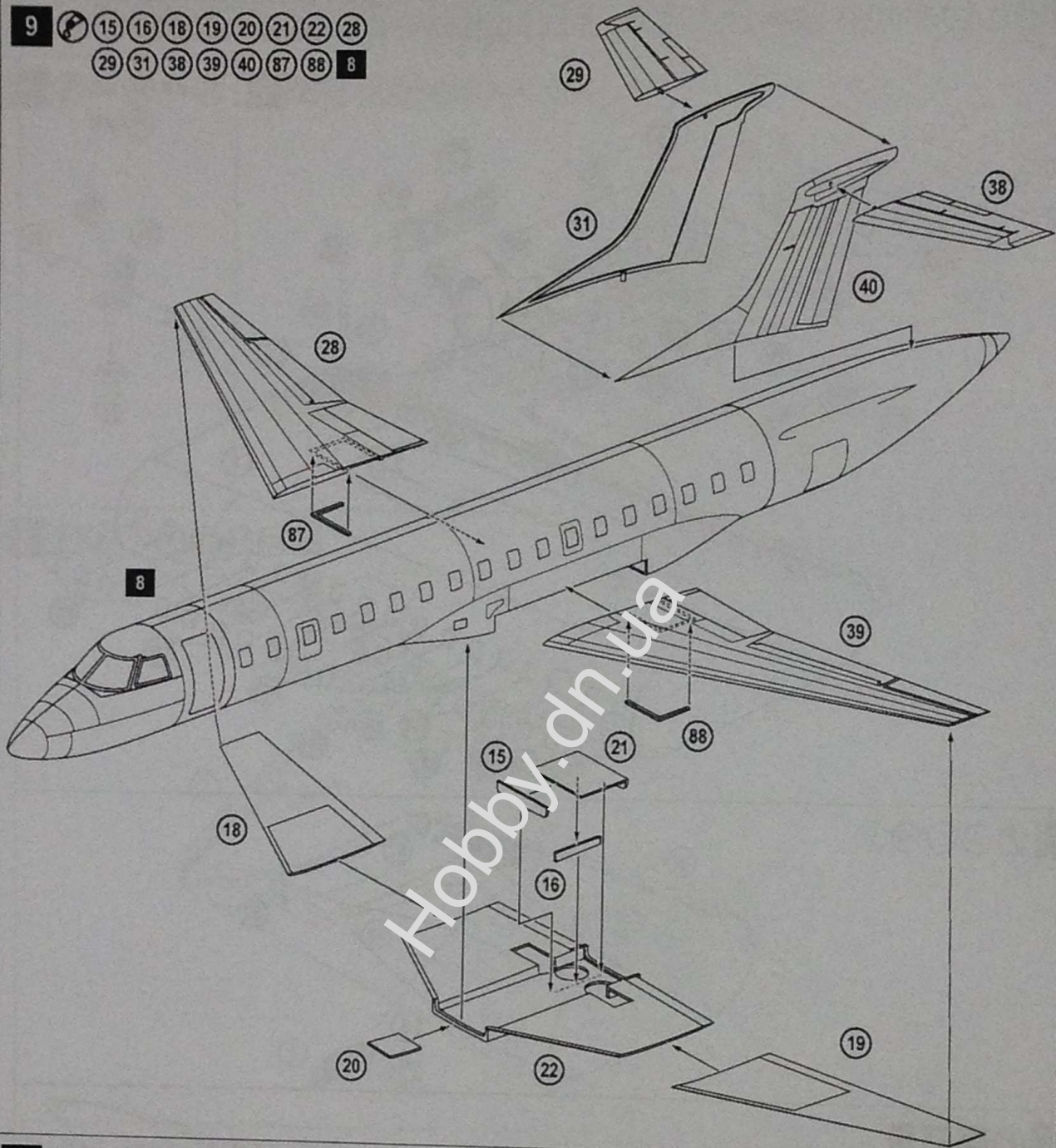
7  3 5 50 51

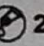


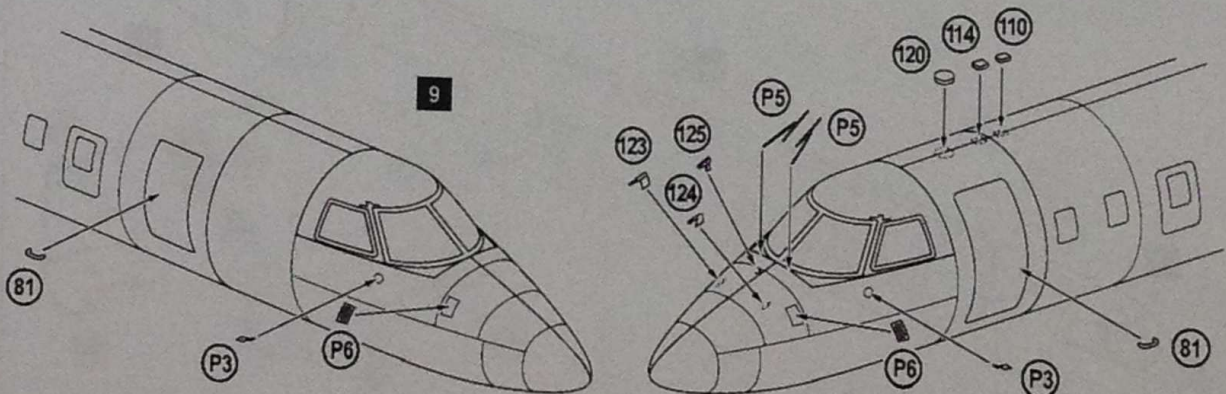
8  3 6 7




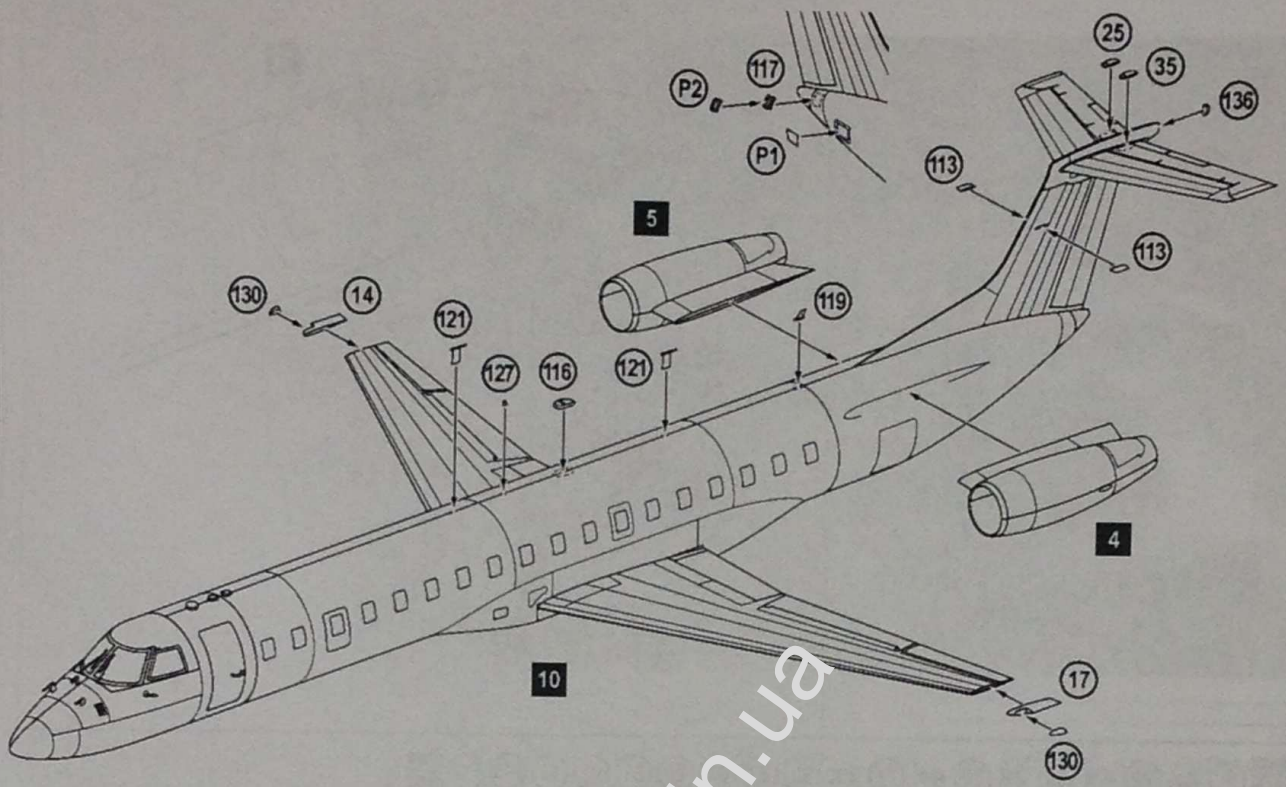
- 9  15 16 18 19 20 21 22 28
29 31 38 39 40 87 88 8




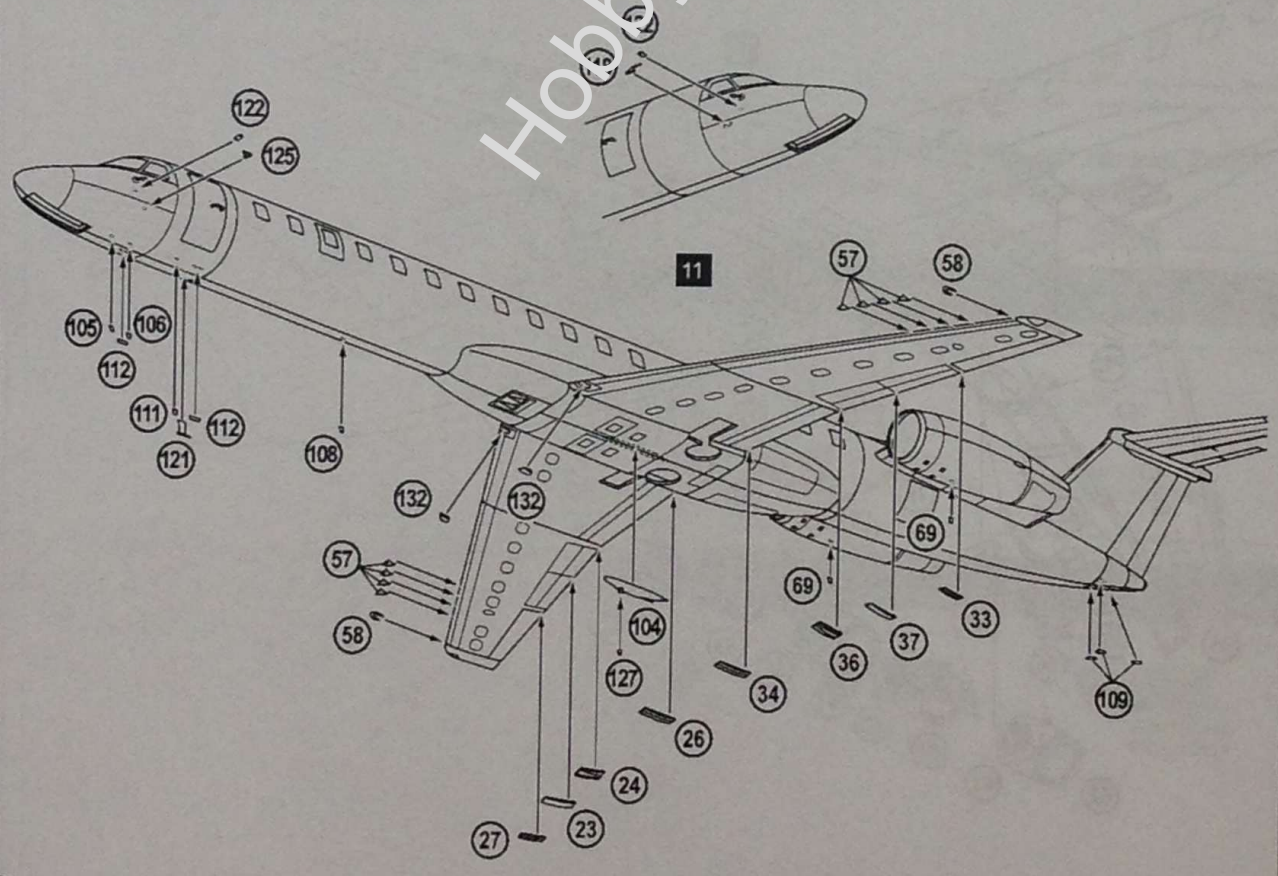
- 10  2x 81 110 114 120 123 124 125 2x P3 2x P5 2x P6 9




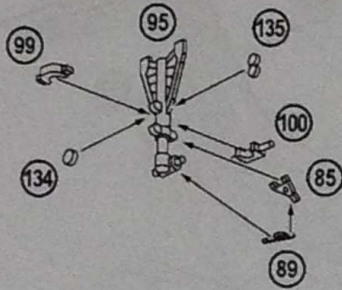
11  14 17 25 35 2x 113 116 117 119 2x 121 127 2x 130 136 P1 P2 4 5 10

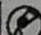


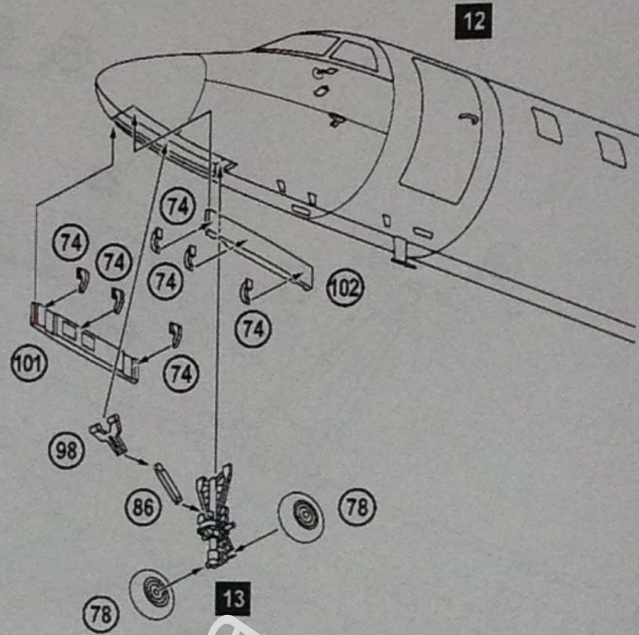
12  23 24 26 27 33 34 36 37 8x 57 2x 58 2x 69 104 105 106 108 3x 109 111 2x 112 118 121 2x 122 125 127 2x 132 11




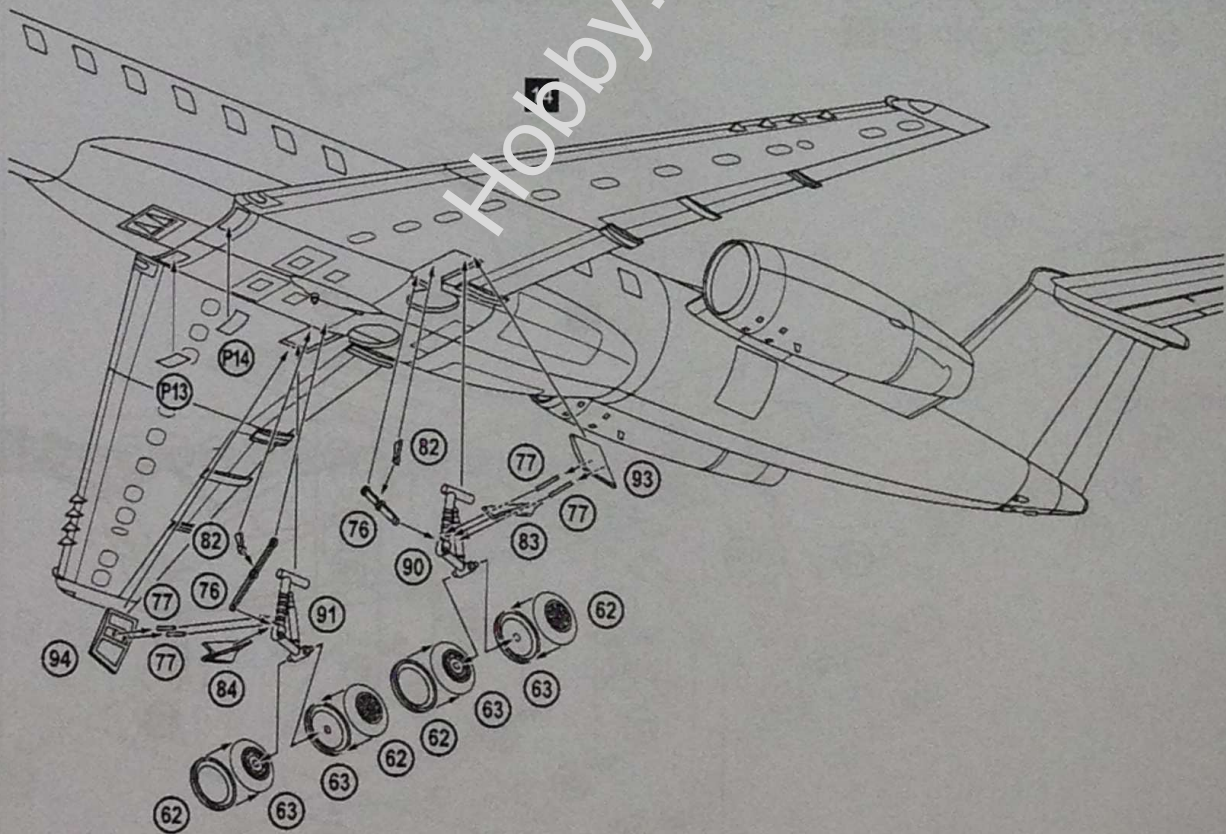
13  85 89 95 99 100 134 135



14  6x 74 2x 78 86 98 101 102 12 13



15  4x 62 4x 63 2x 76 4x 77 2x 82 83 84 90 91 93 94 P13 P14 14



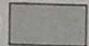



THE SCHEME OF COLOURING

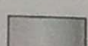
EMB-145EP




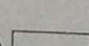
H  HUMBROL 19 YELLOW

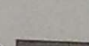
A  HUMBROL 147 LIGHT GREY

B  HUMBROL 25 BLUE

C  HUMBROL 27002 POLISHED ALUMINIUM

D  HUMBROL 33 BLACK

F  HUMBROL 22 WHITE

G  HUMBROL 53 GUNMETAL

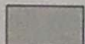


THE SCHEME OF COLOURING

EMB-145EU




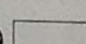
H  HUMBROL 19 YELLOW


A  HUMBROL 147 LIGHT GREY

B  HUMBROL 25 BLUE

C  HUMBROL 27002 POLISHED ALUMINIUM

D  HUMBROL 33 BLACK

F  HUMBROL 22 WHITE

G  HUMBROL 53 GUNMETAL