

A1158-200

'HIDEOUT TRUCK'

KENWORTH AERODYNE

**1/25
SCALE**

IMPORTANT! READ THESE POINTS BEFORE YOU BEGIN

- 1 "TEST FIT" all parts before cementing. Trim excess plastic from parts before joining.
- 2 Cement all parts unless otherwise indicated by the instructions.
- 3 Use paint and cement made for styrene plastic only.
- 4 Paint all sub-assemblies before attaching chrome parts.
- 5 Scrape chrome and paint away from surfaces to be cemented together.
- 6 Assemble parts in sequence shown. Each part is identified by a number.



Cement parts together



Repeat several times



Do not cement together



Completed assembly



Optional part provided



Assembly sequence



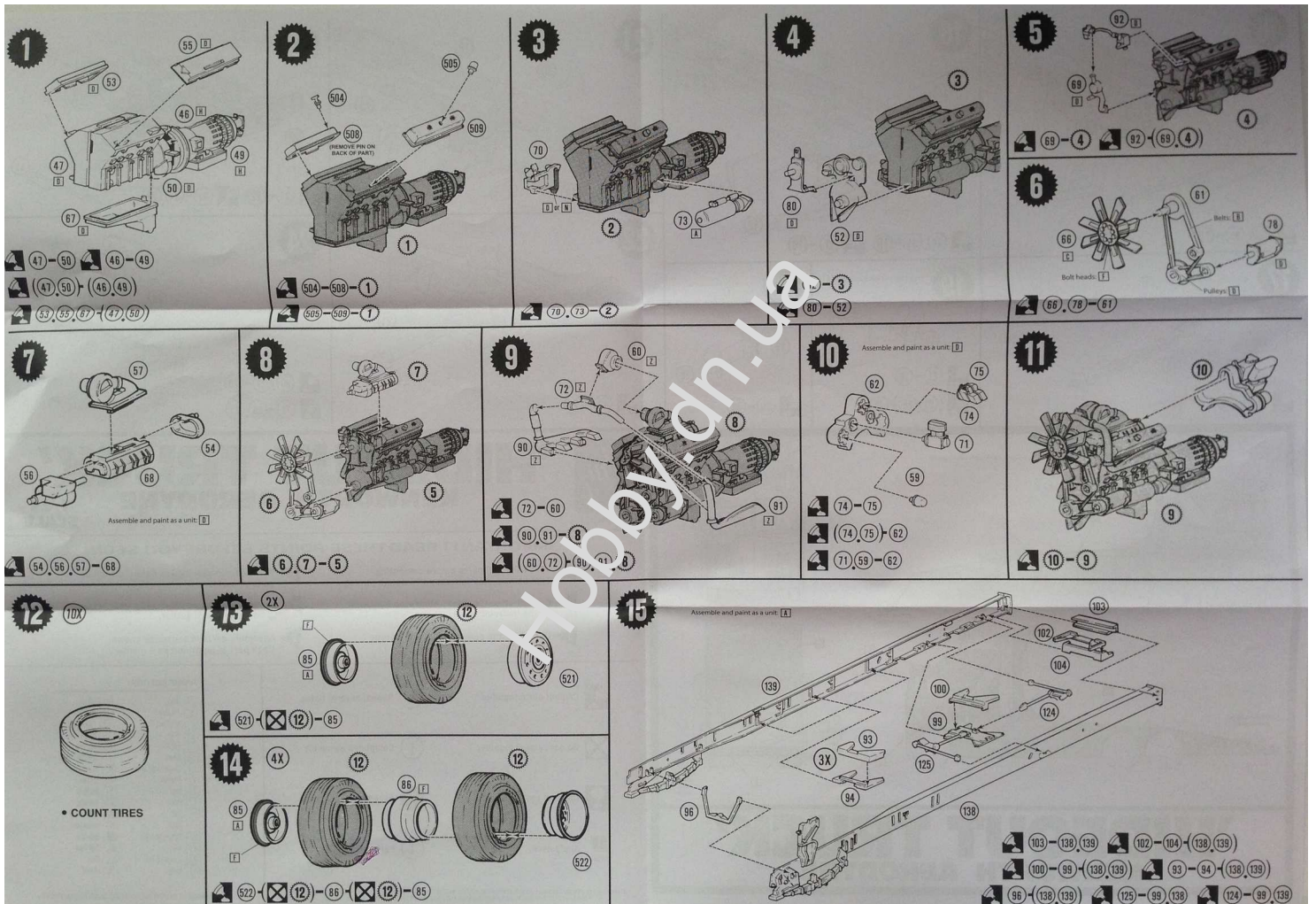
Apply decal



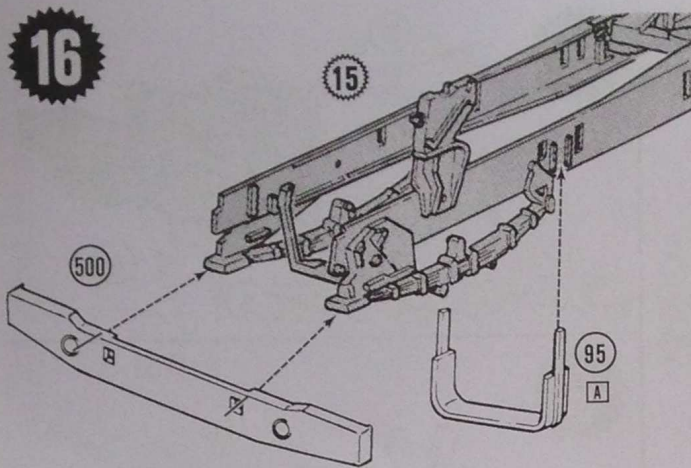
Part number

PAINT COLORS

A	Black	Q	Yellow
B	Flat Black	R	Light Tan
C	Semi-Gloss Black	S	Light Brown
D	White	T	Lt. Blue
E	Flat White	U	Med. Blue
F	Silver	V	Dark Blue
G	Chrome (Bright Silver)	W	Dark Brown
H	Aluminum	X	Lt. Green
I	Steel	Y	Woodgrain
J	Brass	Z	Dark Gray
K	Gold	LG	Lt. Gray
L	Amber	IC	Interior Color
M	Transparent Amber	BC	Body Color
N	Red	▲	Semi-Gloss
O	Transparent Red	△	Gloss
P	Orange	▲	Metallic

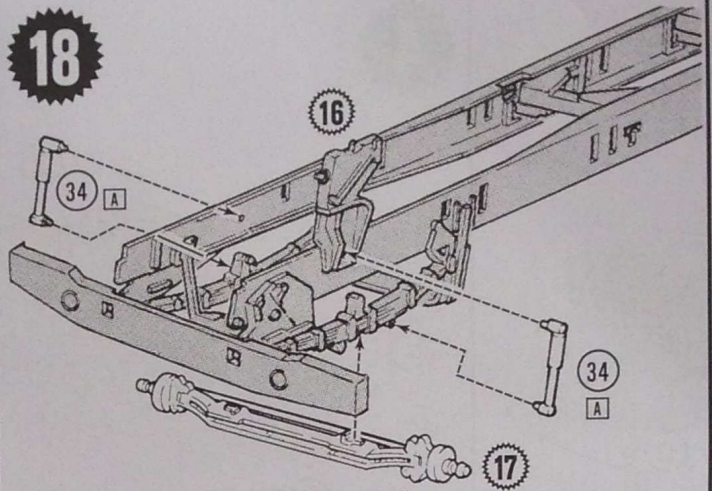


16



500 . 95 - 15

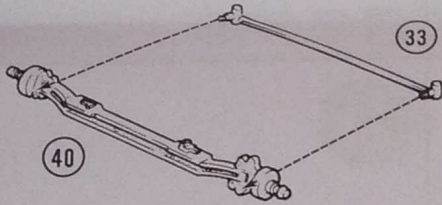
18



34 . 34 - 16 . 17 - 16

17

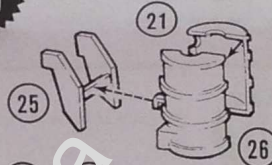
Assemble and paint as a unit: A



33 - 40

19

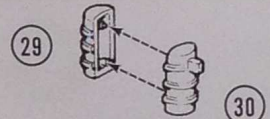
Assemble and paint as a unit: A



21 . 25 . 21 - 25 . 26 - 25

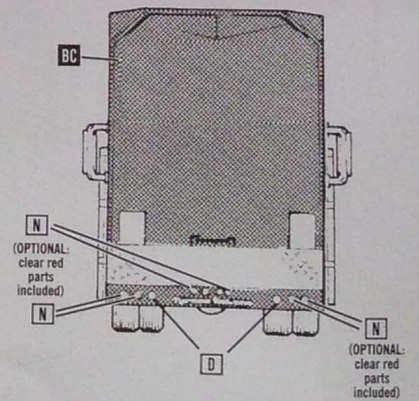
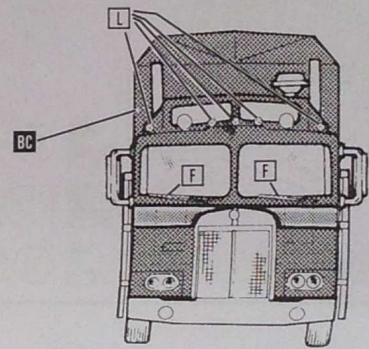
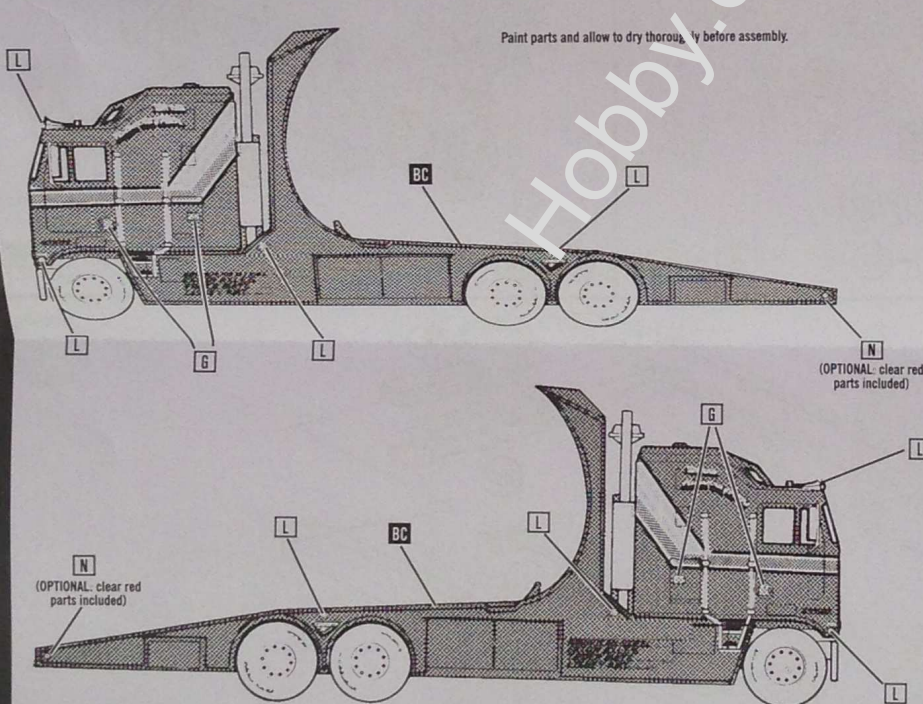
20

Assemble and paint as a unit: A



30 - 29

Paint parts and allow to dry thoroughly before assembly.



'HIDEOUT TRUCK'

KENWORTH AERODYNE

25

26 Assemble and paint as a unit **A**

27 Assemble and paint as a unit **A**

28

29

30

31

32

33

34

35

36 Assemble and paint as a unit **A**

37 Assemble and paint as a unit **A**

38

39

40

41

11-39

150-11-39

125-114

124-115

114-115-38

131-114-115

127-129-38-114-115

125-114

124-115

114-115-38

131-114-115

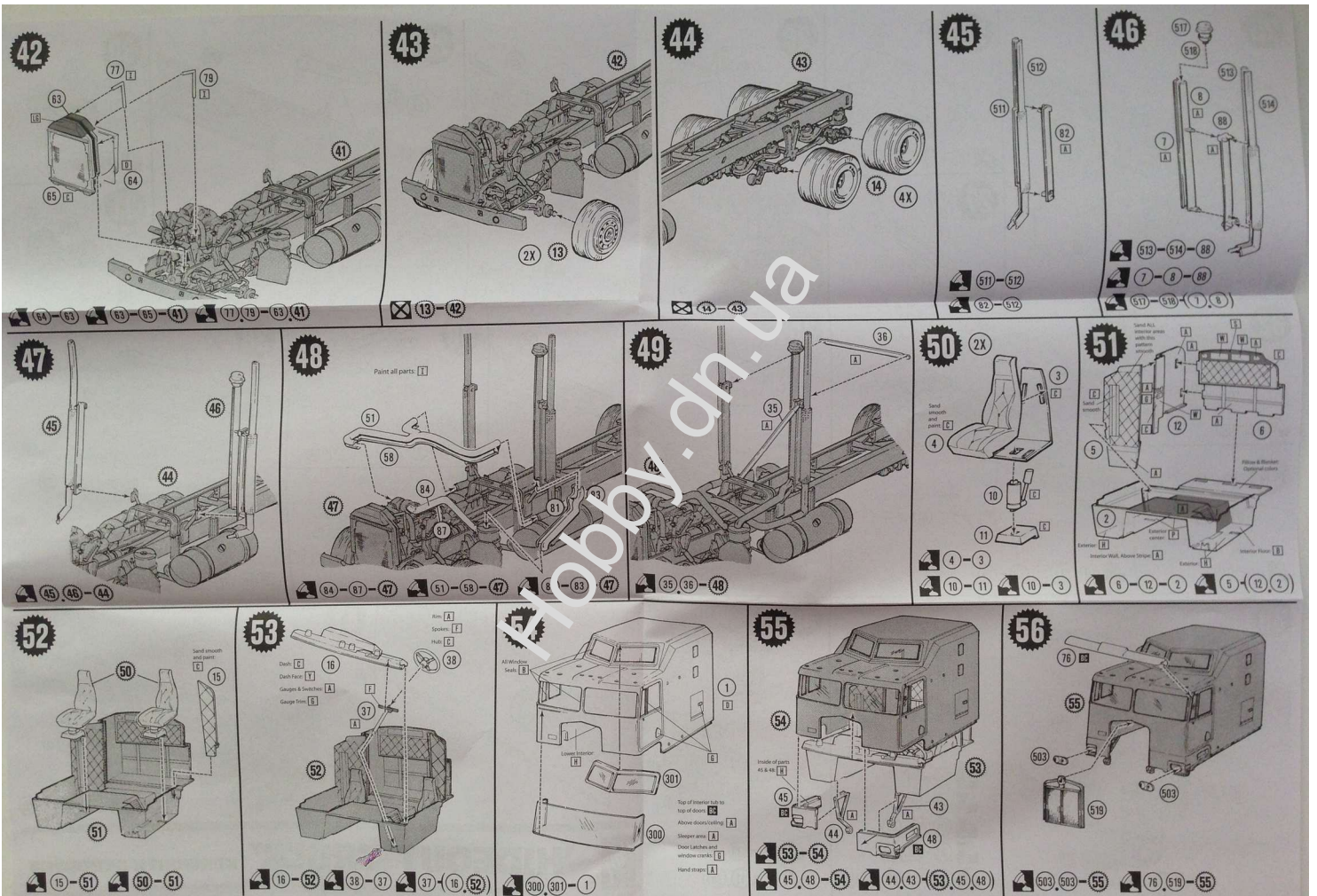
127-129-38-114-115

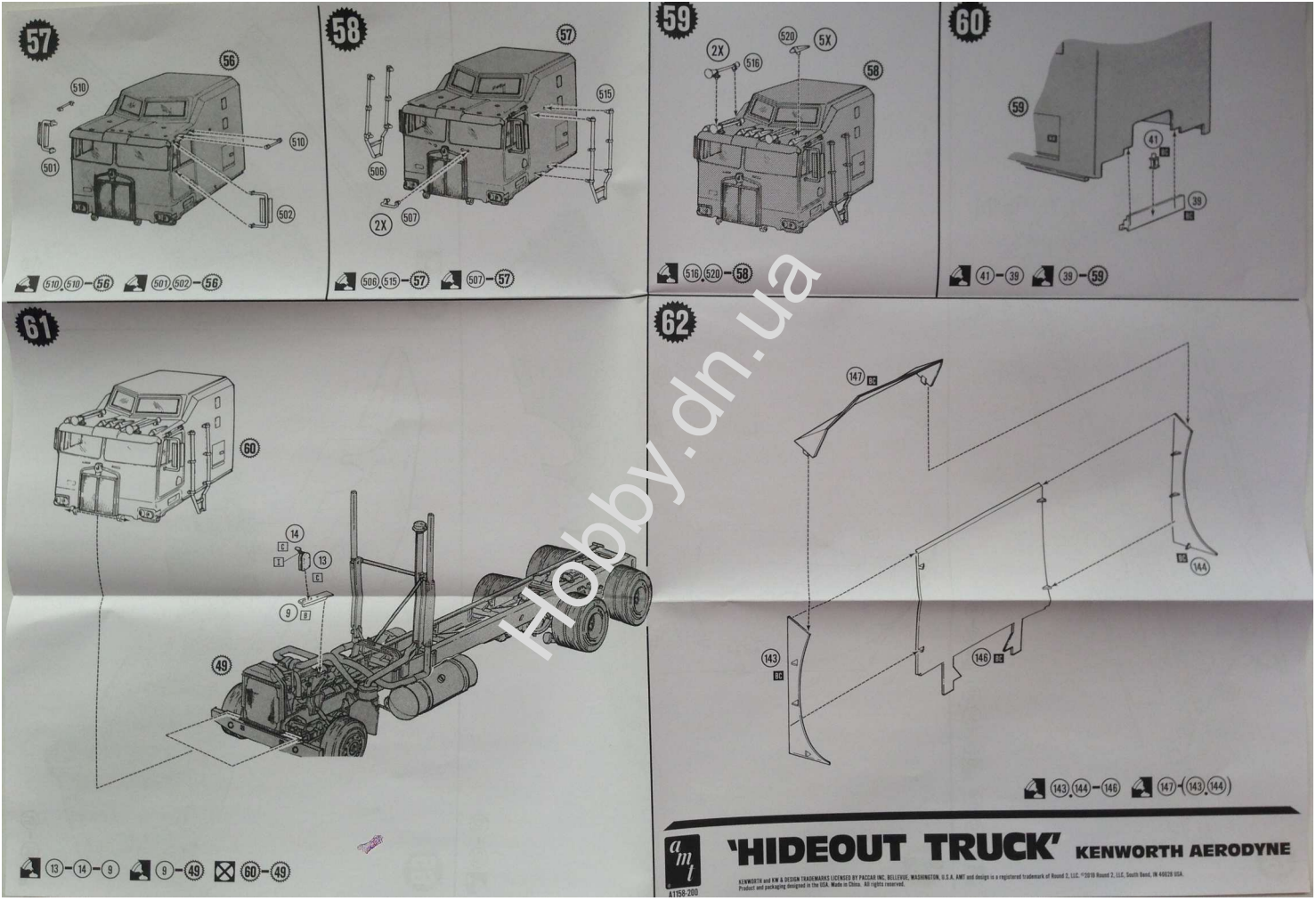
24-97-98-40

'HIDEOUT TRUCK' KENWORTH AERODYNE

KENWORTH and KW & DESIGN TRADEMARKS LICENSED BY PACCAR INC. BELLEVUE, WASHINGTON, U.S.A. AMT and design is a registered trademark of Road 2, LLC. ©2019 Road 2, LLC, South Bend, IN 46623 USA. Product and packaging designed in the USA. Made in China. All rights reserved.

A 158-700





57

58

59

60

61

62

13-14-9 9-49 60-49

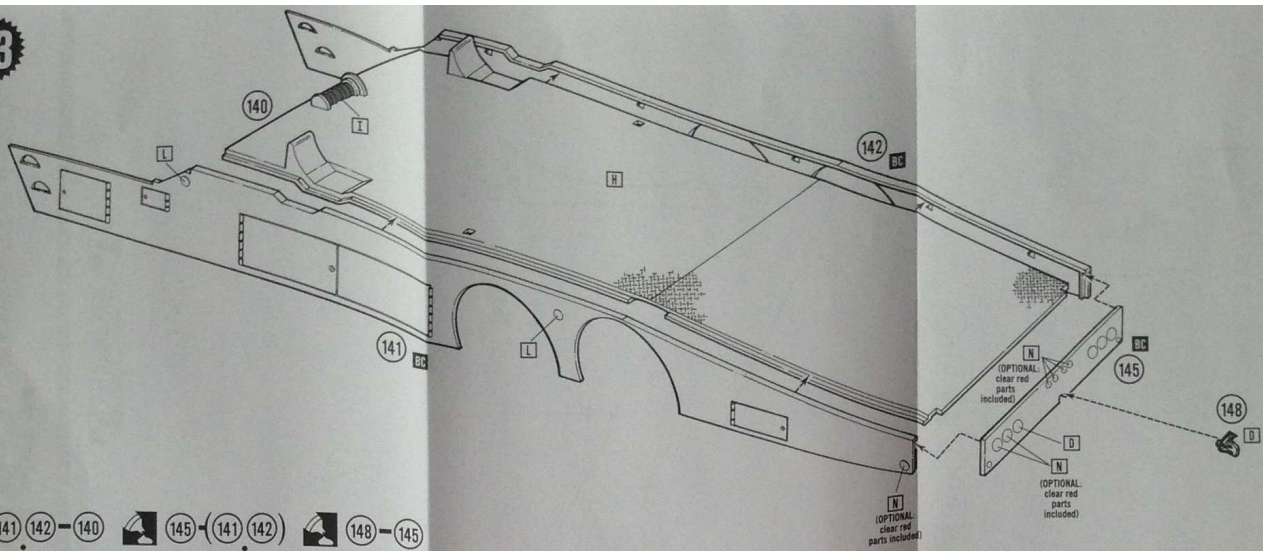
143-144-146 147-143-144



'HIDEOUT TRUCK' KENWORTH AERODYNE

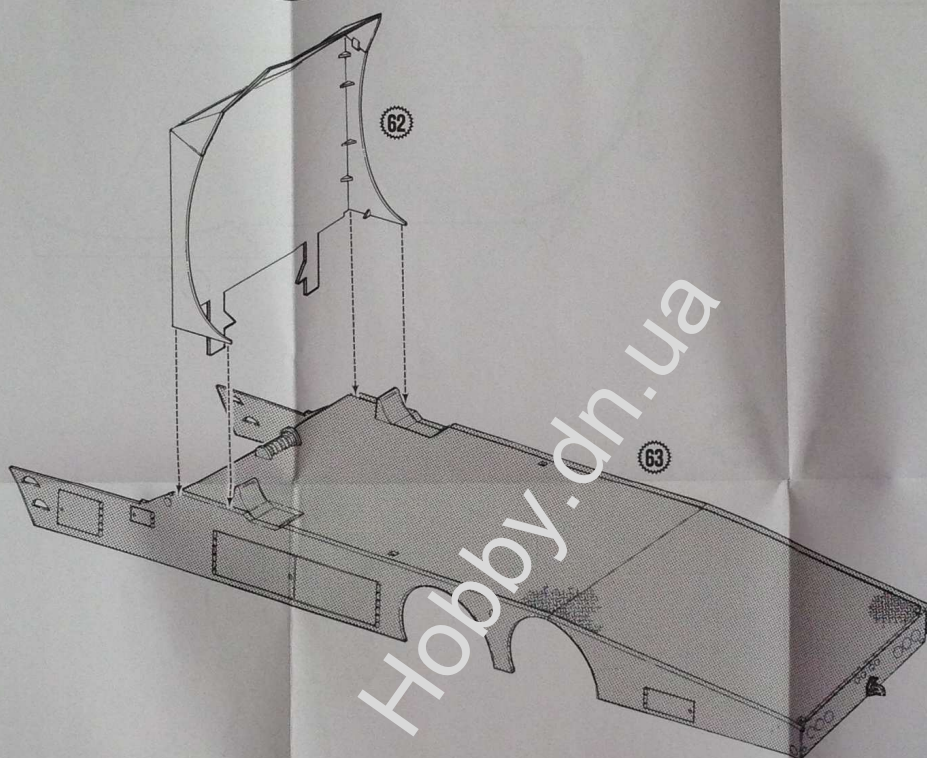
KENWORTH and KEN AERODYNE TRADEMARKS LICENSED BY PACCAR INC, BELLEVUE, WASHINGTON, U.S.A. AMT and design is a registered trademark of Model 2, LLC. ©2019 Model 2, LLC, South Bend, IN 46628 USA. Product and packaging designed in the USA. Made in China. All rights reserved.

63



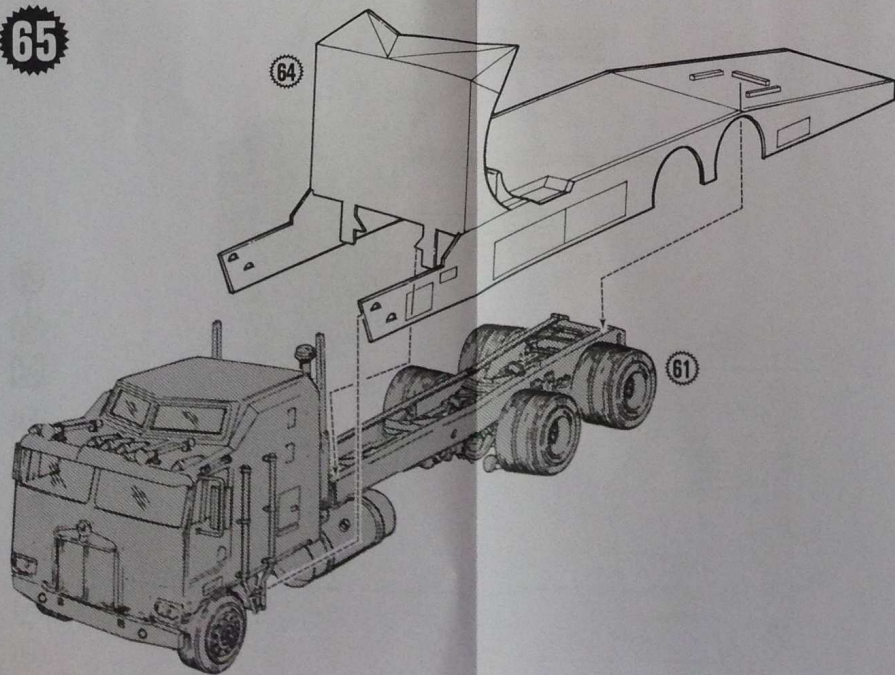
▲ 141 142 - 140 ▲ 145 (141 142) ▲ 148 - 145

64



▲ 62 - 63

65

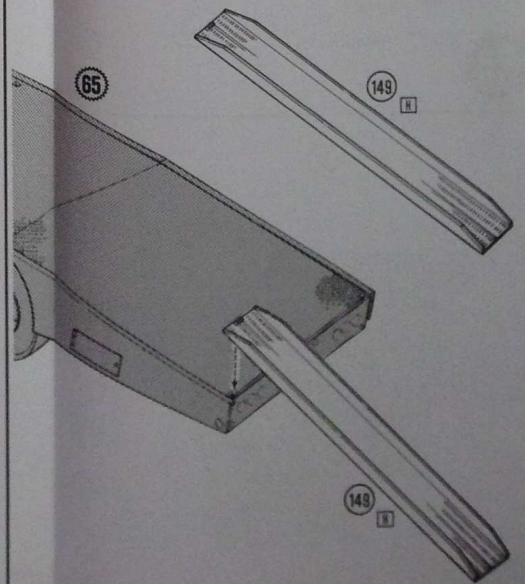


▲ 64 - 61

66



NOTE: extra parts included with kit.



☒ 149 - 65