



A1338-200A

# AQUAROD

## 1975 Chevy Van

### READ THIS BEFORE YOU BEGIN

This kit may be built more than one way. Look over this instruction sheet carefully before you begin building. You may decide to combine parts from the different versions shown, or use parts from other AMT® kits. After you've planned your car, follow the assembly instructions and "test-fit" the parts without cementing. This will familiarize you with the locations of parts.

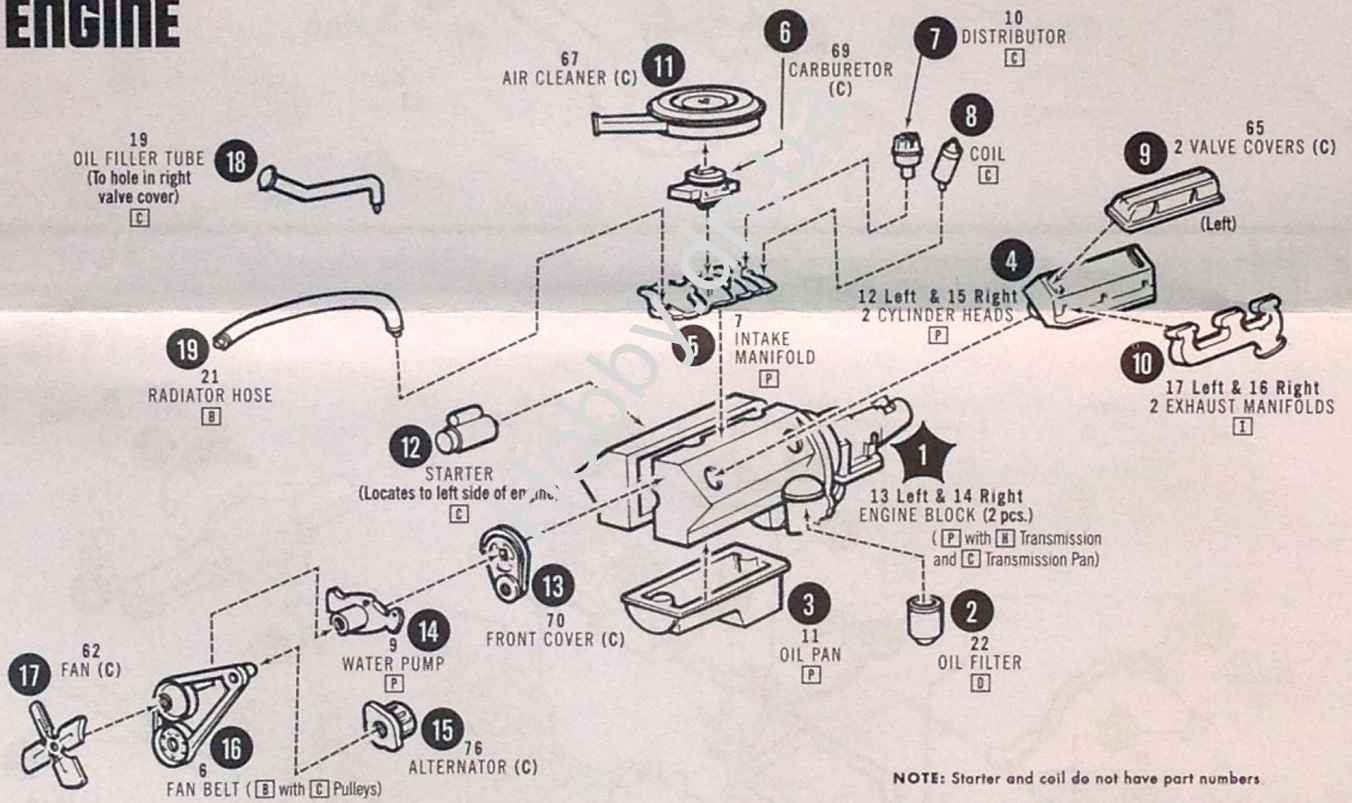
For the best results, the various sub-assemblies and components should be painted before any "chrome" parts are attached. For example: when attaching "non-chrome" body accessories, it is best to cement them in

place and paint the body as a unit.

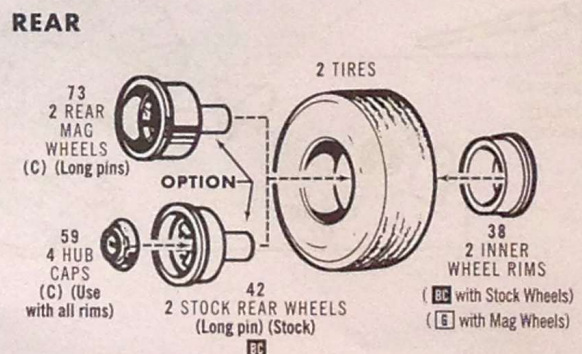
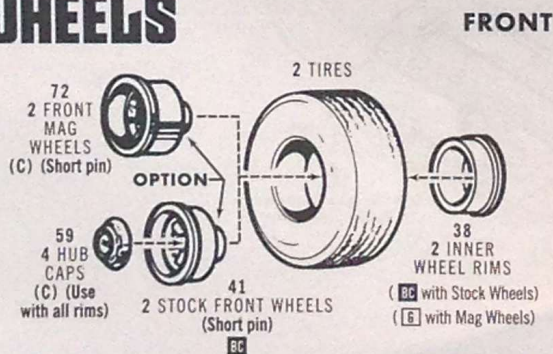
AMT® kits are molded from the finest high-impact styrene plastic. Use only paint and cement made for styrene. Trim excess plastic from parts before joining. When attaching "chrome" parts, scrape plating away where parts are to be joined. Use just enough cement to join parts, and be careful not to smear cement on exposed surfaces.

Built according to the instructions on this sheet, you should have no trouble assembling your kit. Just FOLLOW THE NUMBERS, as parts are numbered in order of assembly. NOTE: (C) indicates "chrome" parts.

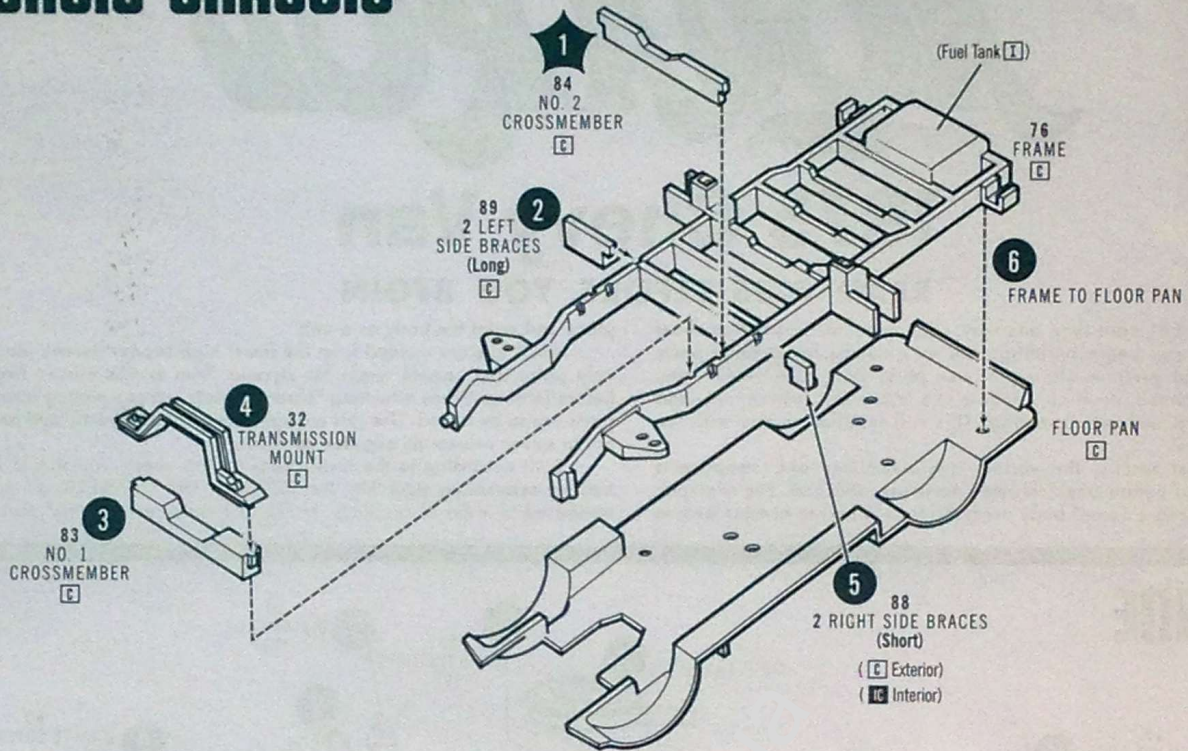
## 1. ENGINE



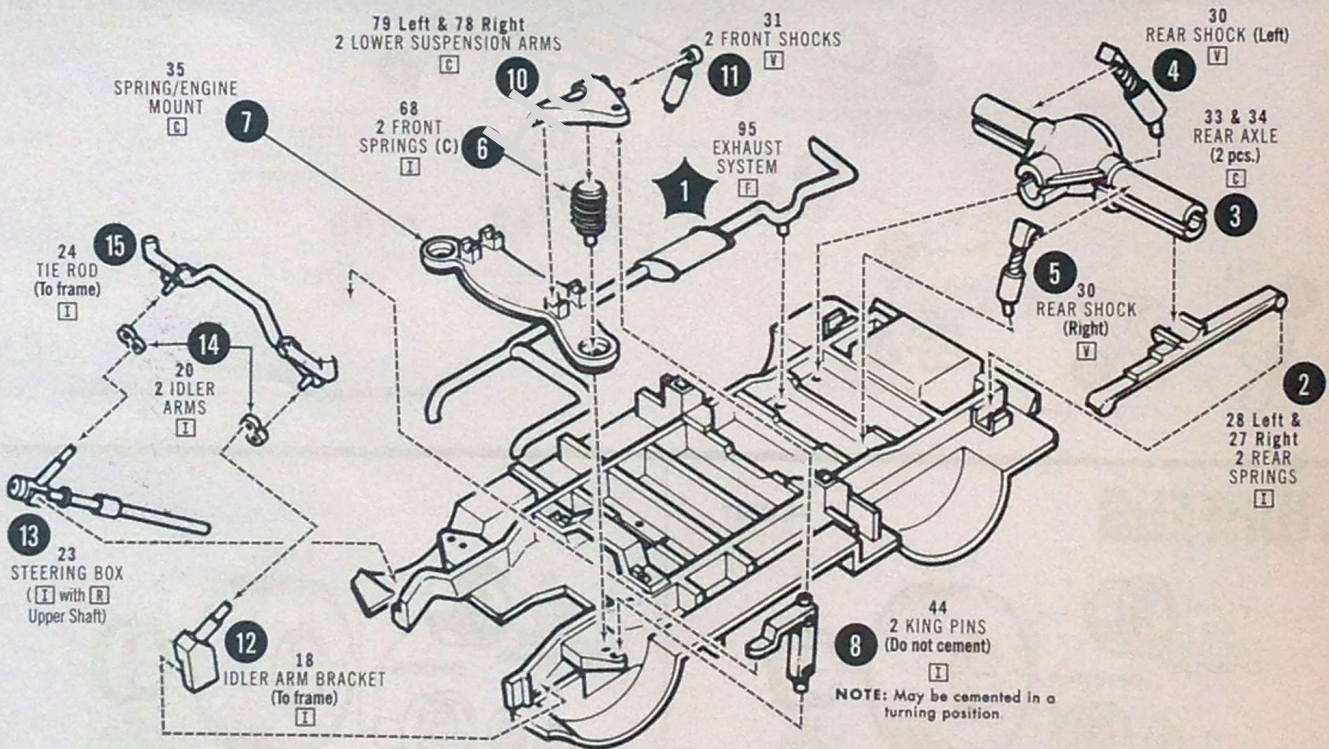
## 2. WHEELS



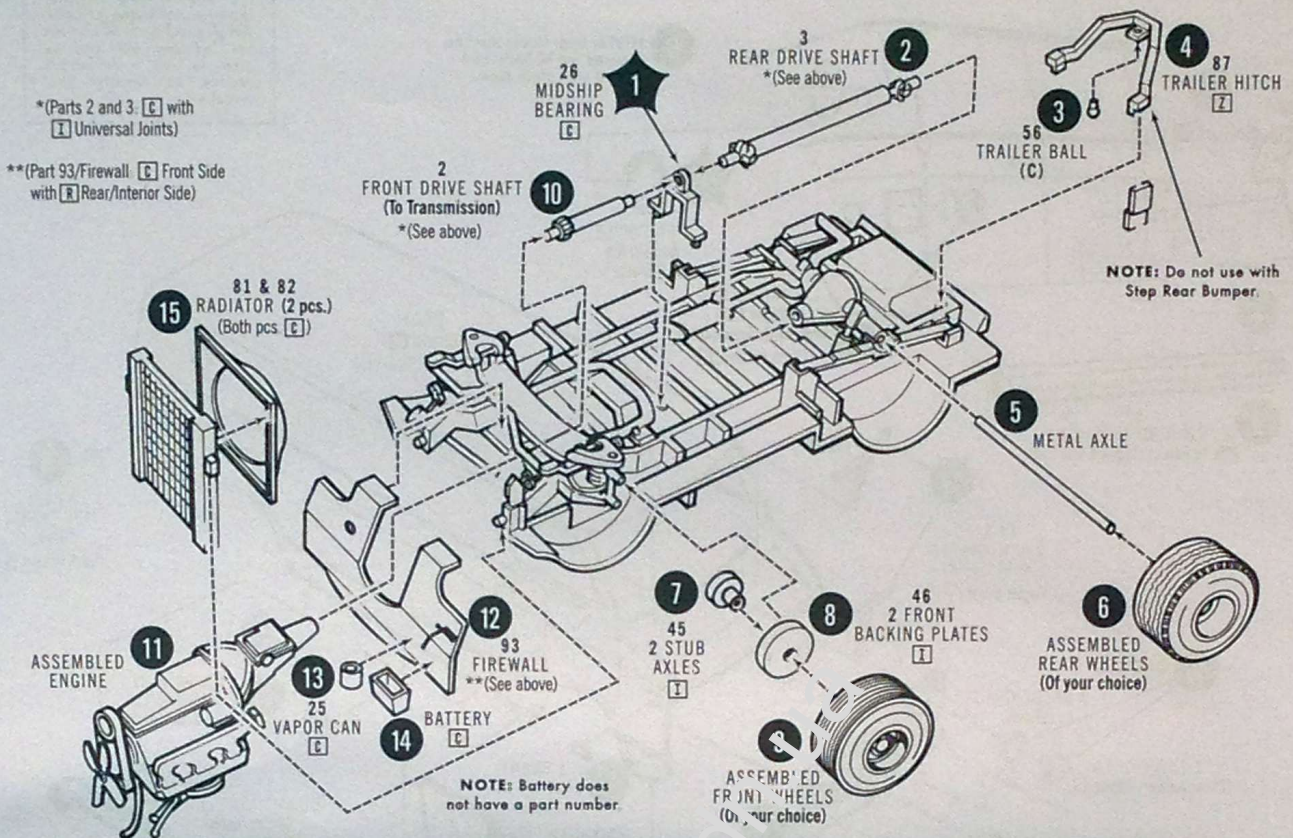
# 3. BASIC CHASSIS



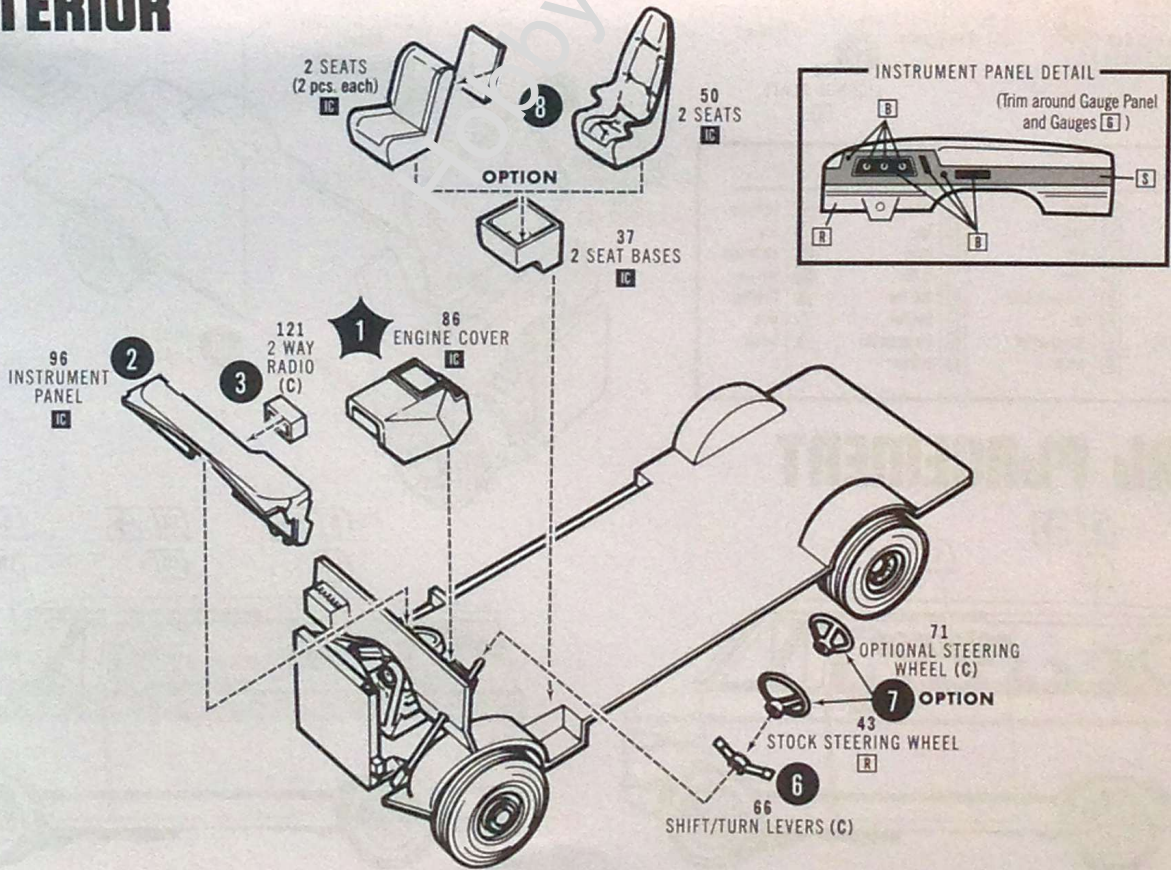
# 4. CHASSIS COMPONENTS



# 5. FINAL CHASSIS

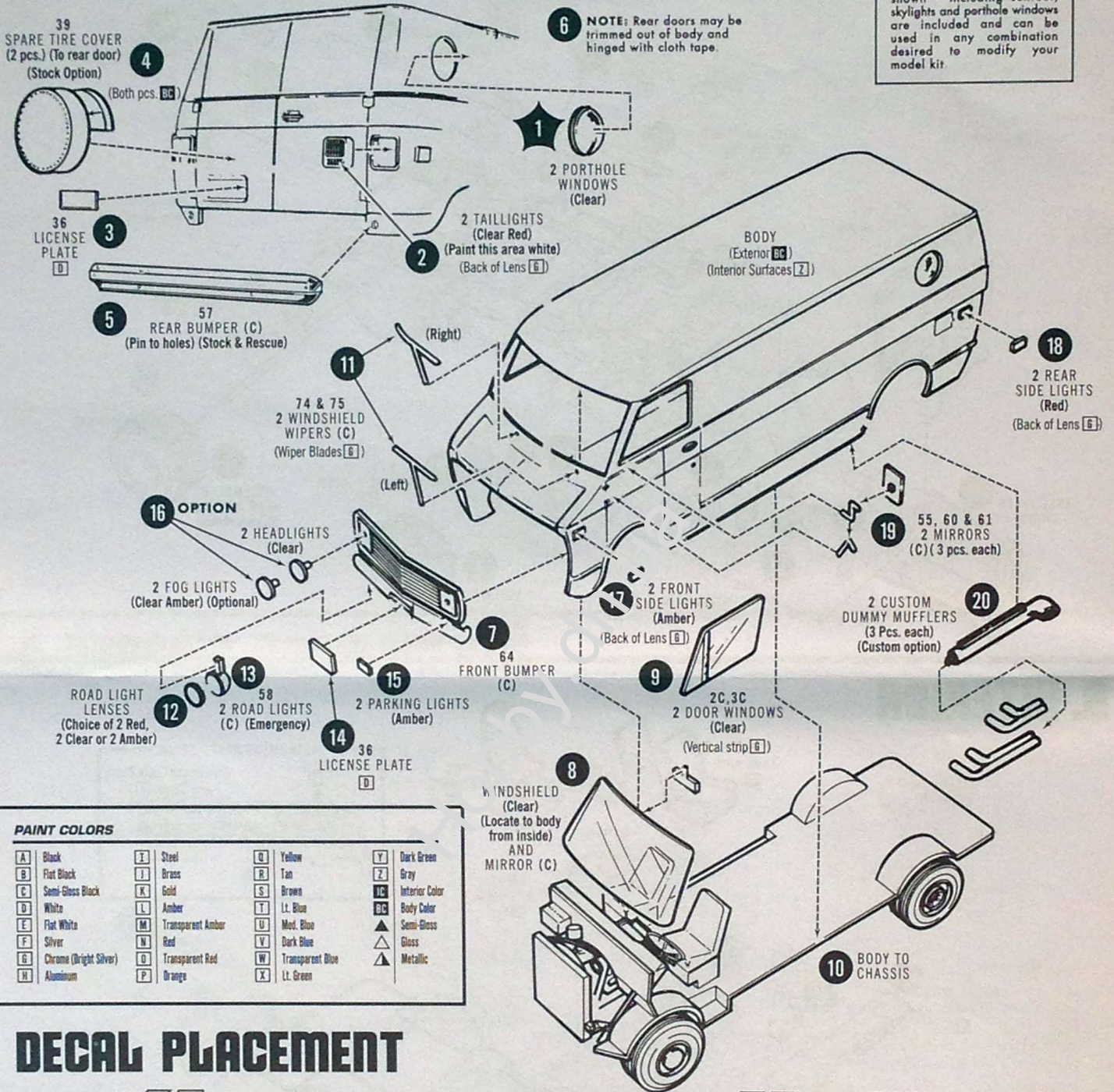


# 6. INTERIOR



# 7. FINAL ASSEMBLIES

**NOTE:** Additional parts not shown - including sunroof, skylights and porthole windows are included and can be used in any combination desired to modify your model kit.



## PAINT COLORS

<b>A</b> Black	<b>I</b> Steel	<b>Q</b> Yellow	<b>Y</b> Dark Green
<b>B</b> Flat Black	<b>J</b> Brass	<b>R</b> Tan	<b>Z</b> Gray
<b>C</b> Semi-Gloss Black	<b>K</b> Gold	<b>S</b> Brown	<b>IC</b> Interior Color
<b>D</b> White	<b>L</b> Amber	<b>T</b> Lt. Blue	<b>BC</b> Body Color
<b>E</b> Flat White	<b>M</b> Transparent Amber	<b>U</b> Med. Blue	<b>▲</b> Semi-Gloss
<b>F</b> Silver	<b>N</b> Red	<b>V</b> Dark Blue	<b>△</b> Gloss
<b>G</b> Chrome (Bright Silver)	<b>O</b> Transparent Red	<b>W</b> Transparent Blue	<b>▲</b> Metallic
<b>H</b> Aluminum	<b>P</b> Orange	<b>X</b> Lt. Green	

## DECAL PLACEMENT





A1338-200B

# AQUAROD

## Boat and Trailer



### READ THIS BEFORE YOU BEGIN

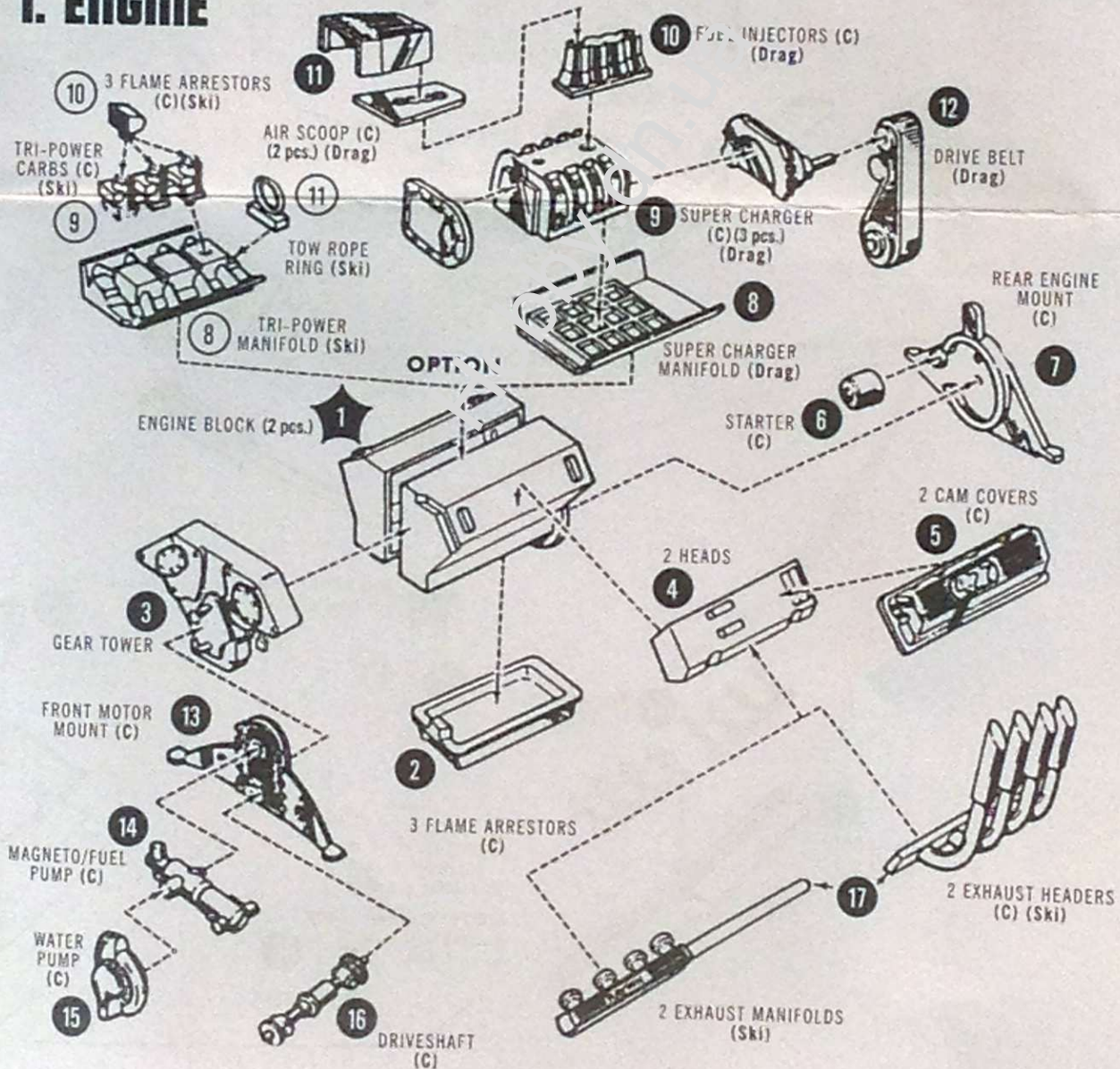
This kit may be built more than one way. Look over this instruction sheet carefully before you begin building. You may decide to combine parts from the different versions shown, or use parts from other AMT® kits. After you've planned your car, follow the assembly instructions and "test-fit" the parts without cementing. This will familiarize you with the locations of parts.

For the best results, the various sub-assemblies and components should be painted before any "chrome" parts are attached. For example, when attaching "non-chrome" body accessories, it is best to cement them in place and paint the body as a unit.

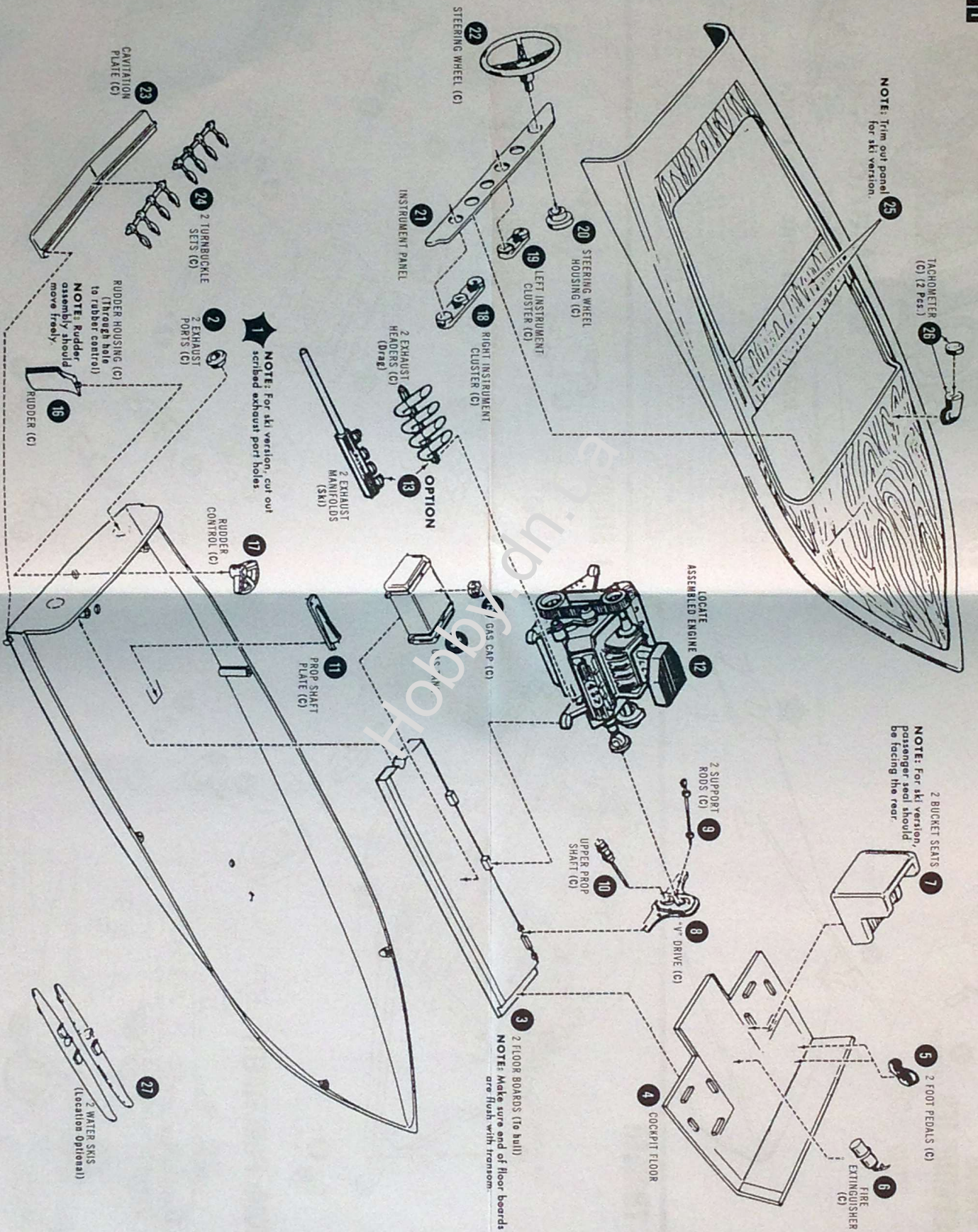
AMT® kits are molded from the finest high-impact styrene plastic. Use only paint and cement made for styrene. Trim excess plastic from parts before joining. When attaching "chrome" parts, scrape plating away where parts are to be joined. Use just enough cement to join parts, and be careful not to smear cement on exposed surfaces.

Built according to the instructions on this sheet, you should have no trouble assembling your kit. Just FOLLOW THE NUMBERS, as parts are numbered in order of assembly. NOTE: (C) indicates "chrome" parts.

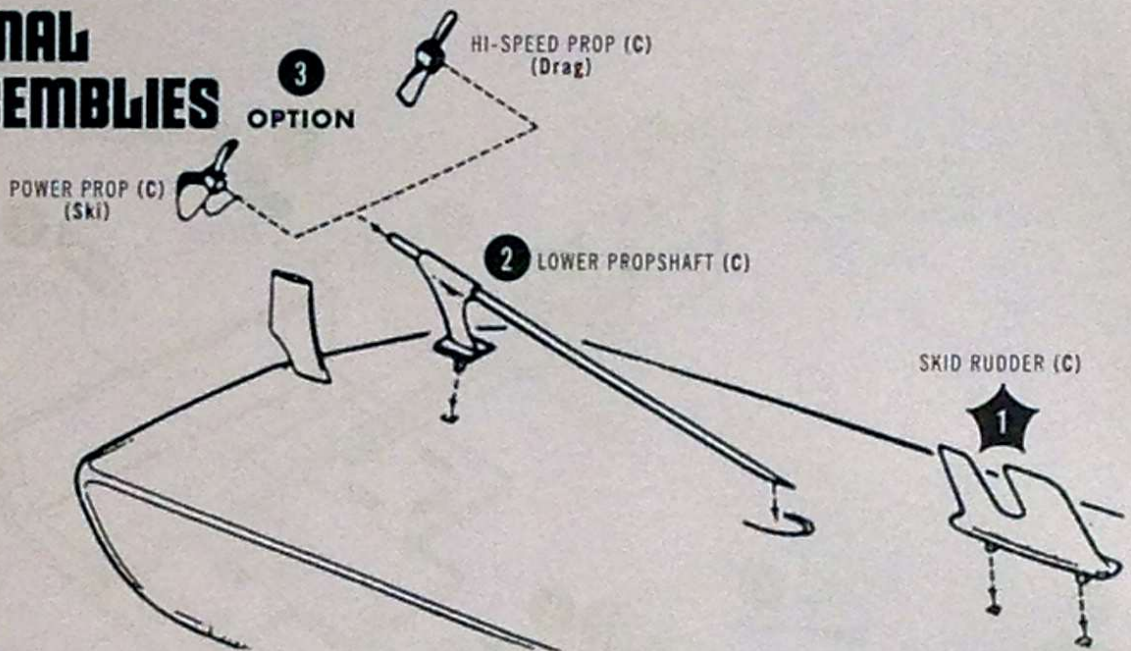
## I. ENGINE



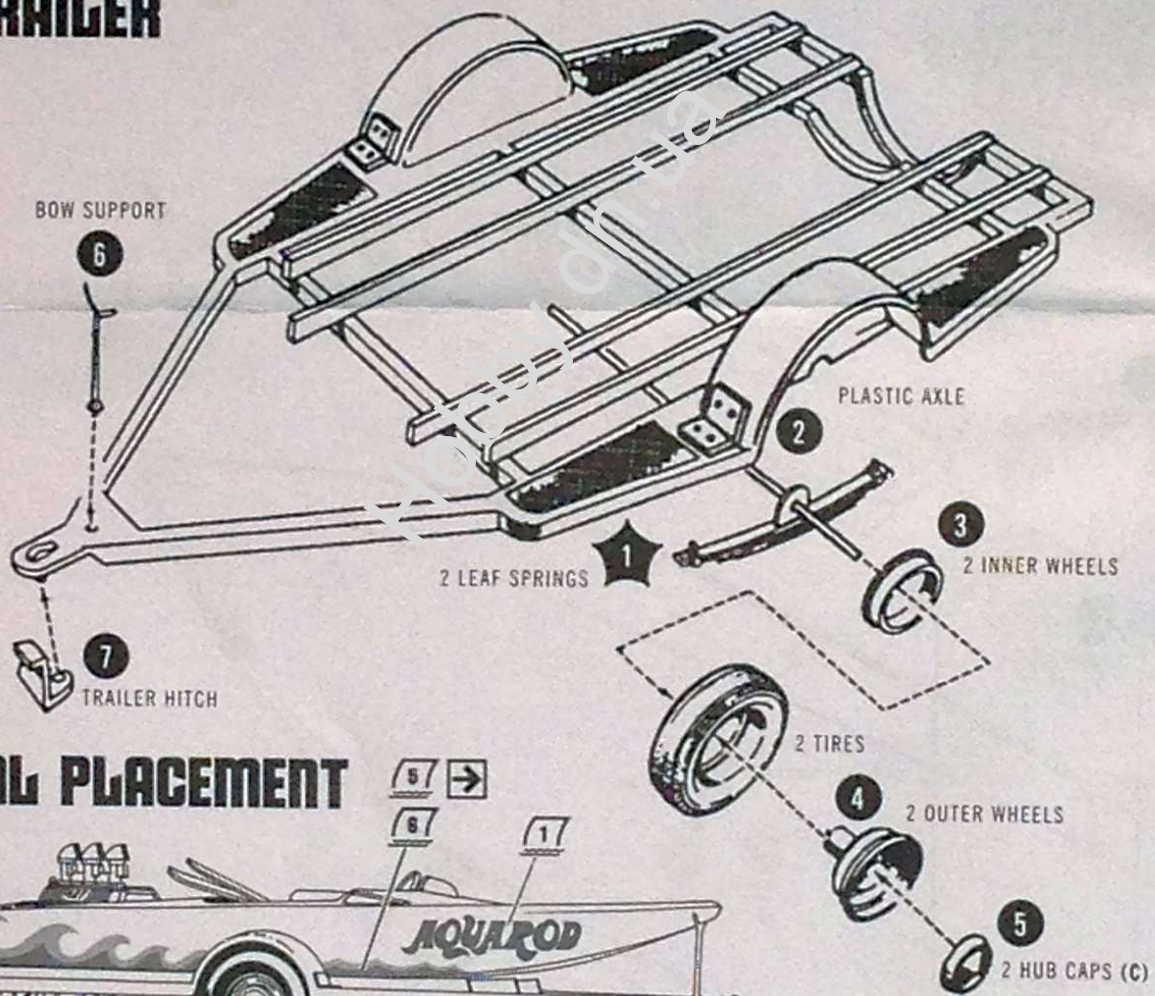
# 2. HULL



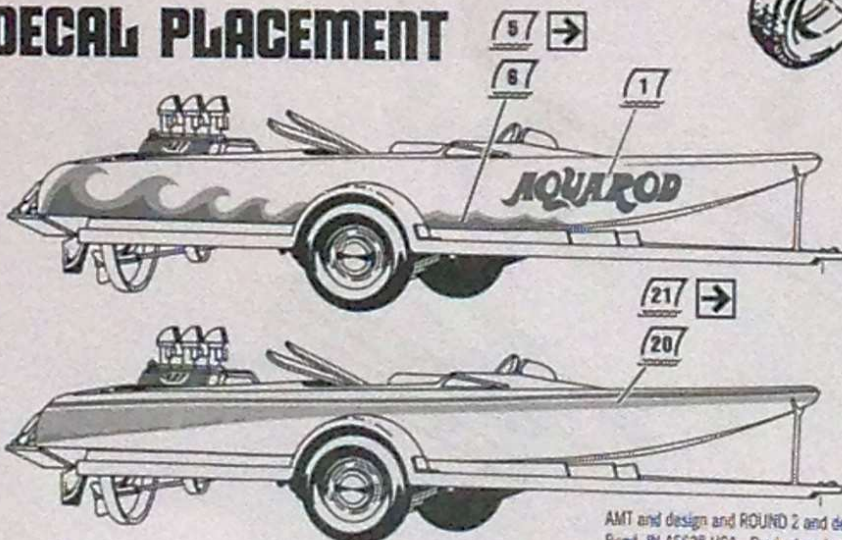
### 3. FINAL ASSEMBLIES



### 4. TRAILER



### DECAL PLACEMENT



AMT and design and ROUND 2 and design are trademarks of Round 2, LLC. ©2022 Round 2, LLC, South Bend, IN 46628 USA. Product and packaging designed in the USA. Made in China. All rights reserved.