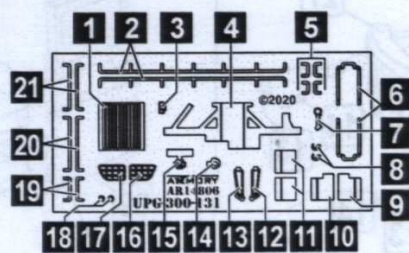
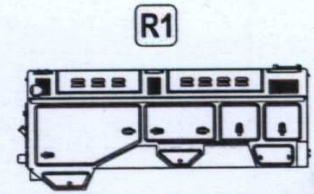
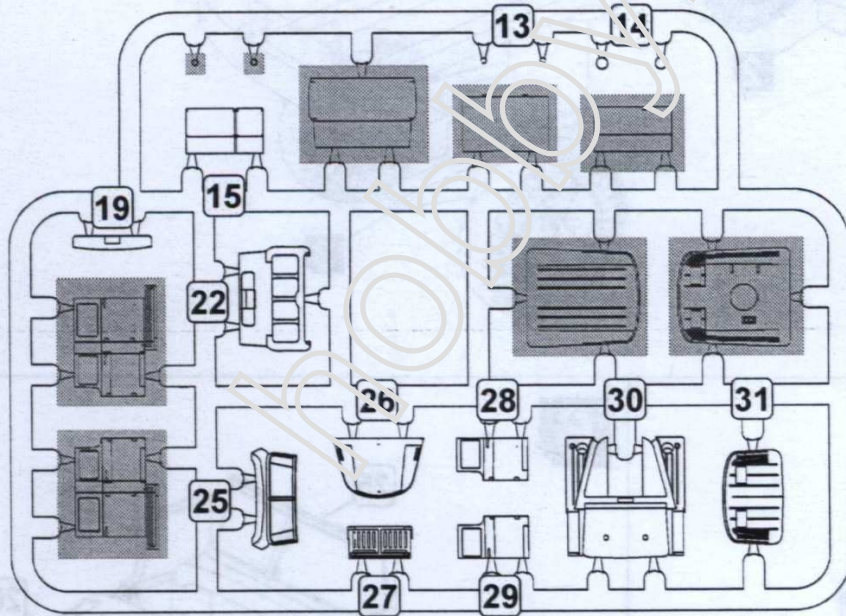
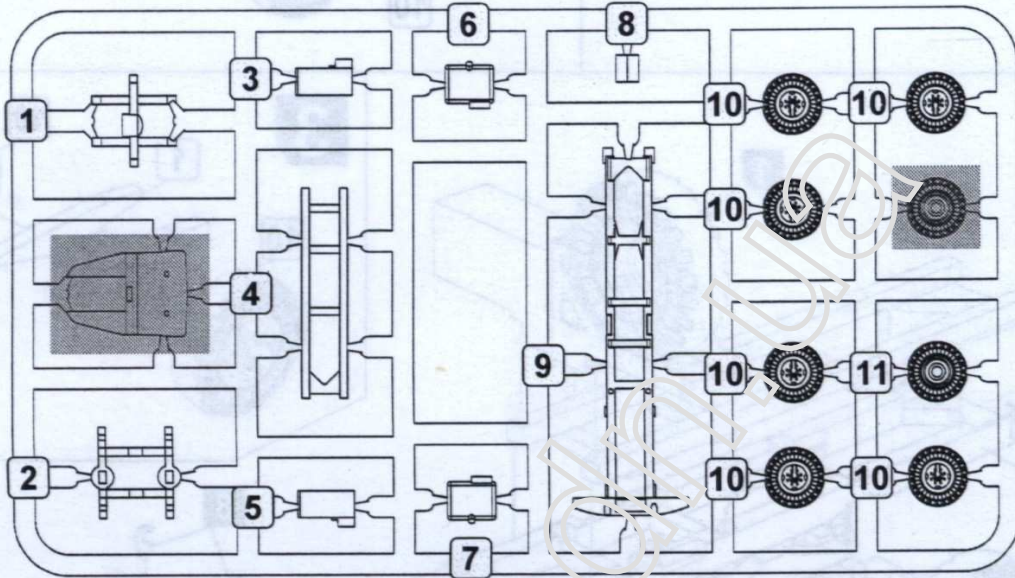


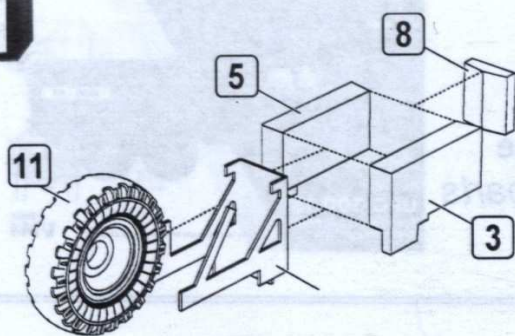
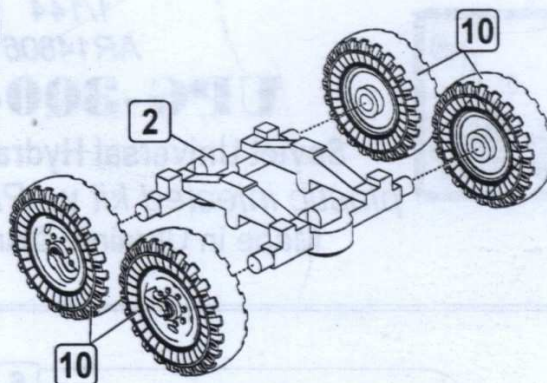
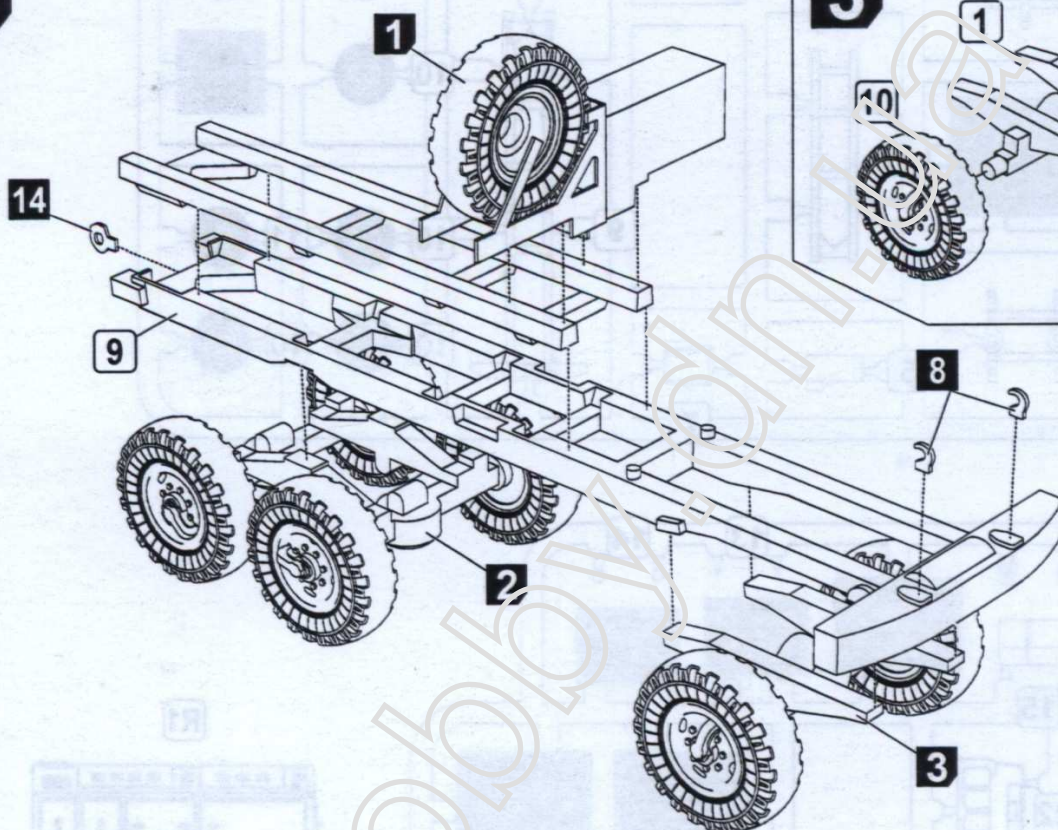
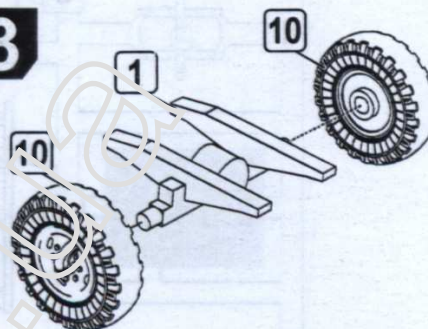
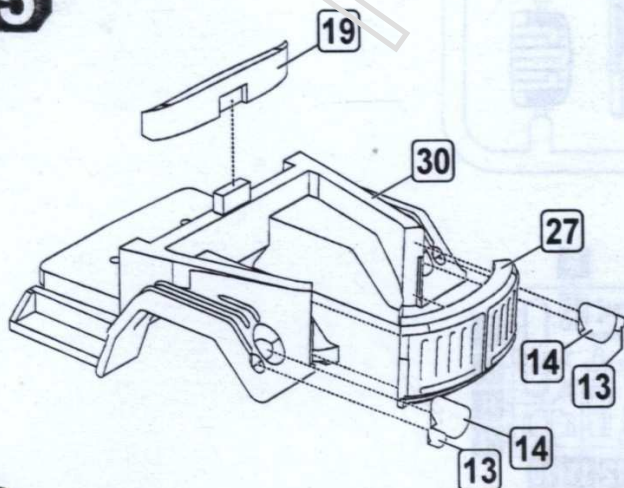
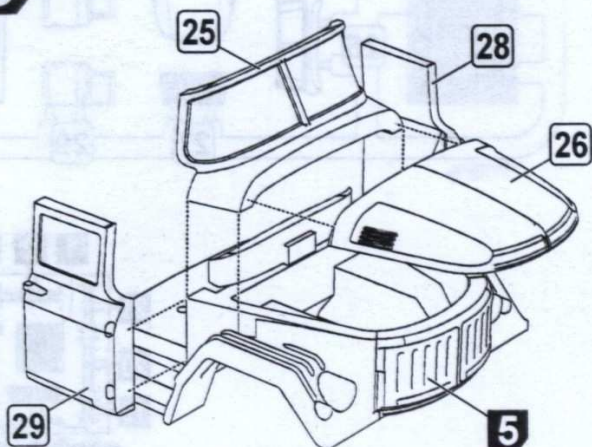


1/144
AR14806

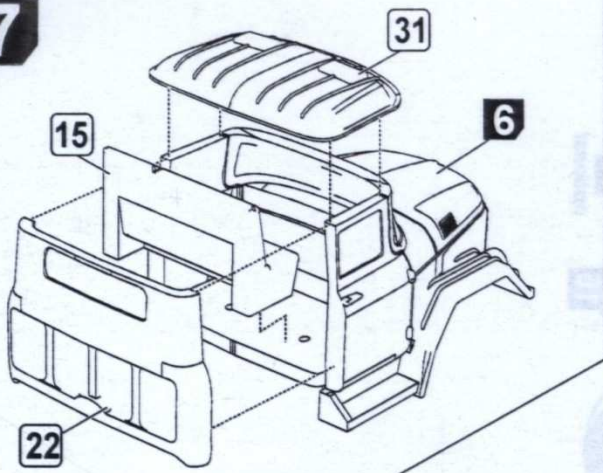
UPG-300-131

Soviet Universal Hydraulic Machine
plastic injected kit w/ PE & resin parts
Made in Ukraine. ©Armory, 2021

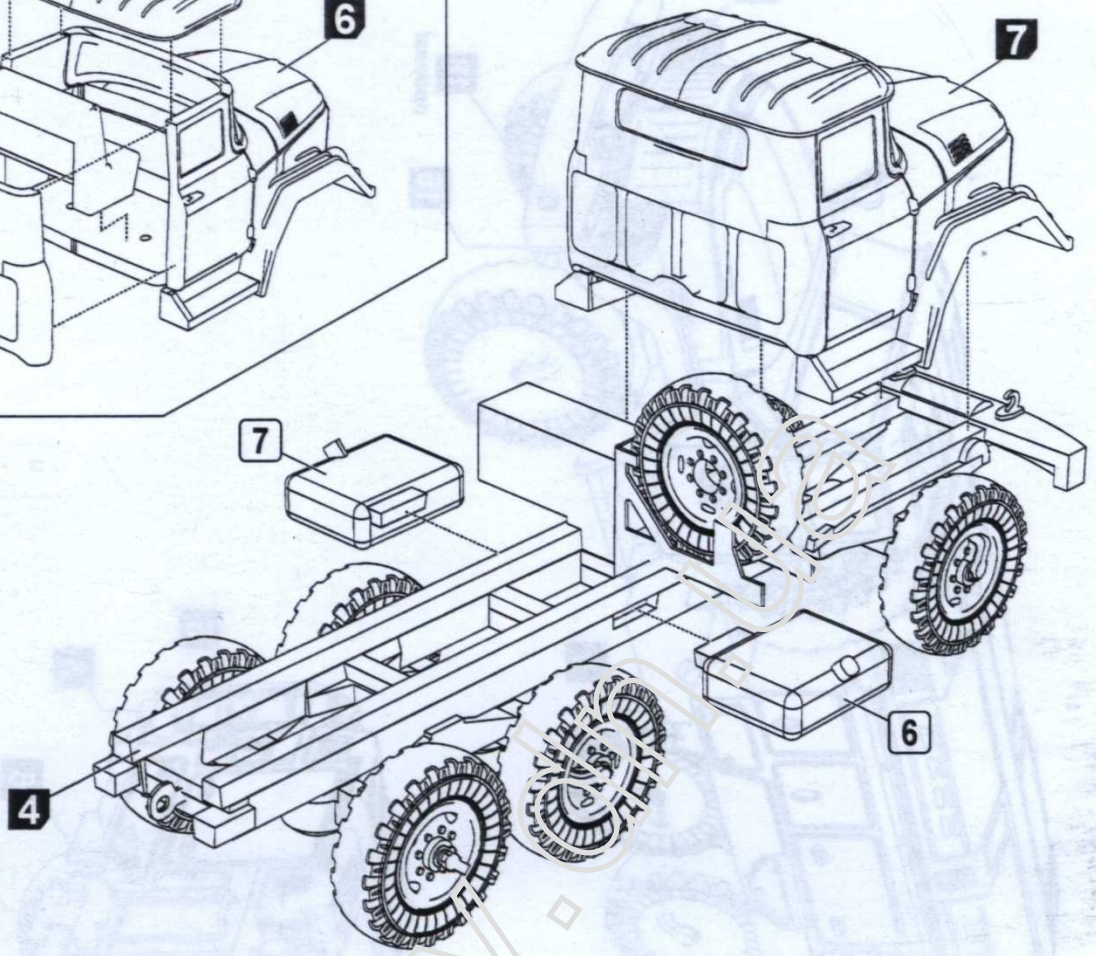


1**2****4****3****5****6****2**

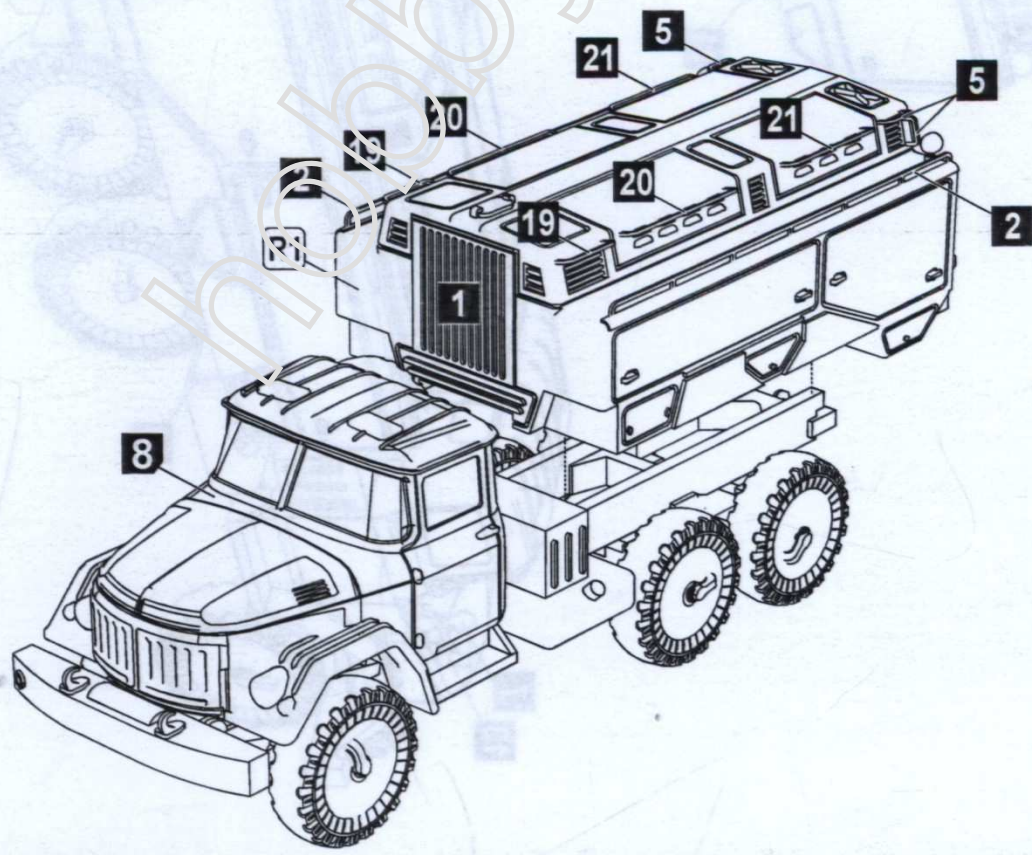
7

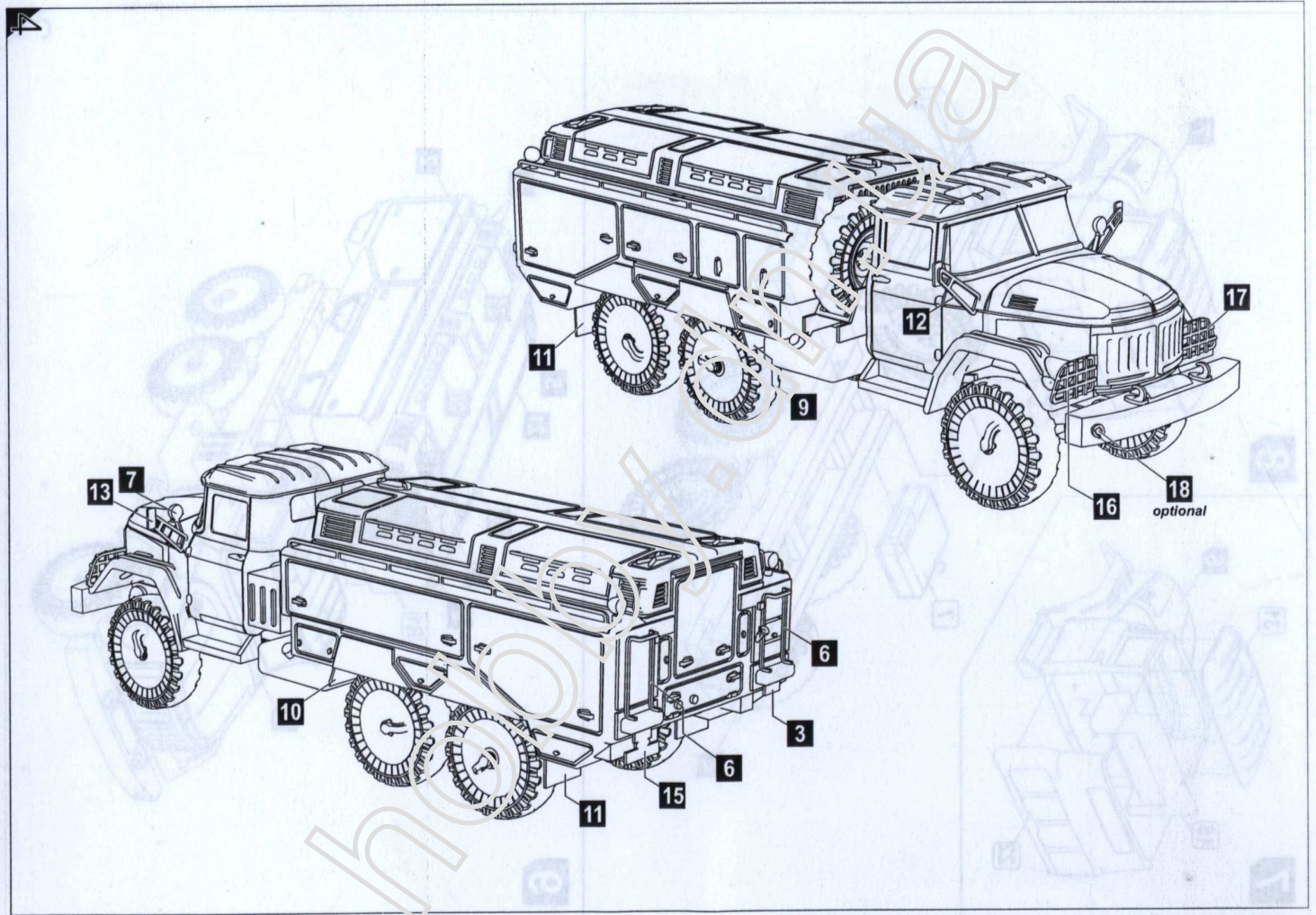


8

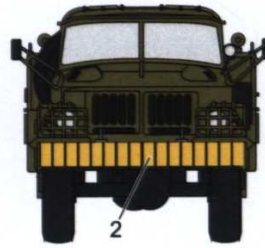
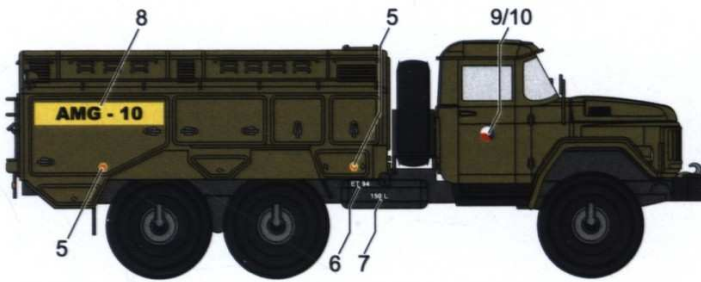


9





SOVIET UPG-300-131 HYDRAULICS TESTING VEHICLE



1. Czech republic, unknown air force base



2. Soviet Union, unknown air force base



3. Russian Federation, unknown air force base



4. Russian Federation, unknown air force base



5. Russian Federation, unknown air force base