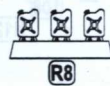
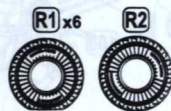
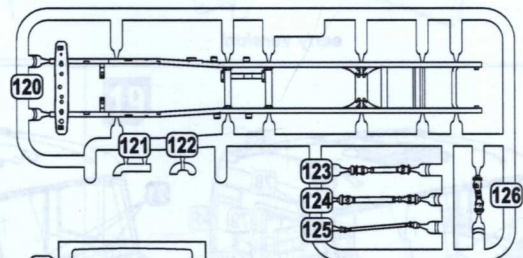
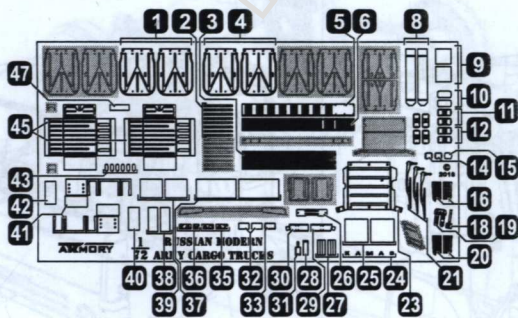
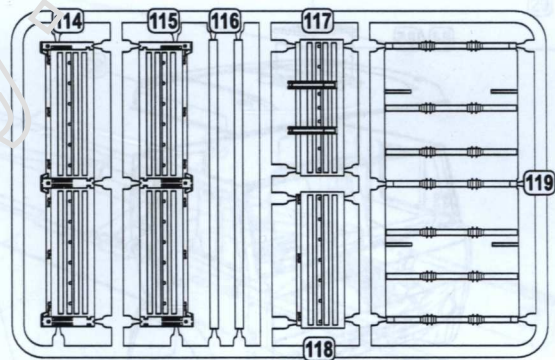
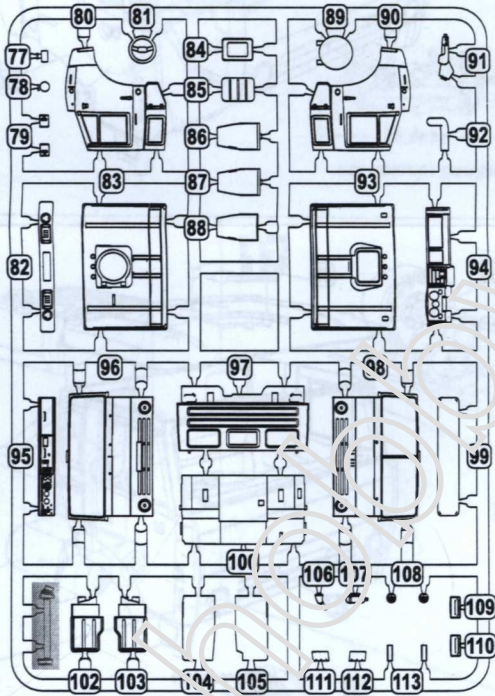
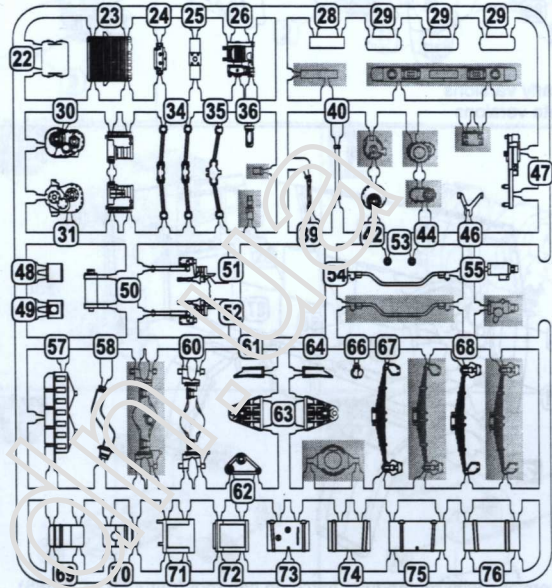
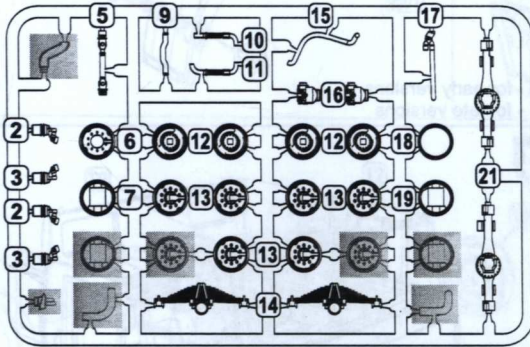
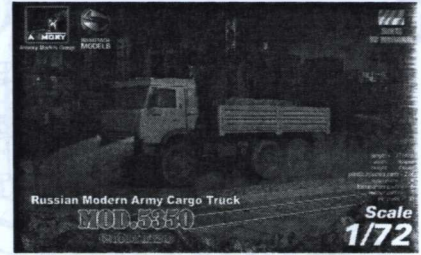




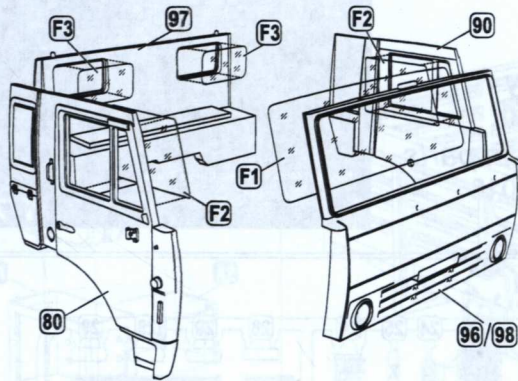
1/72
AR72407

Russian Modern Army Cargo Truck mod.5350

plastic injected kit w/ PE & resin parts
Made in Ukraine. ©Armory, 2018

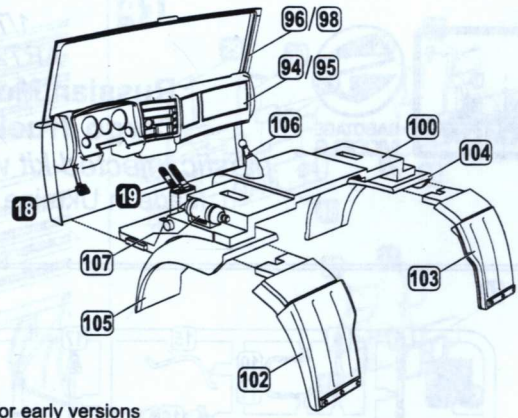


1



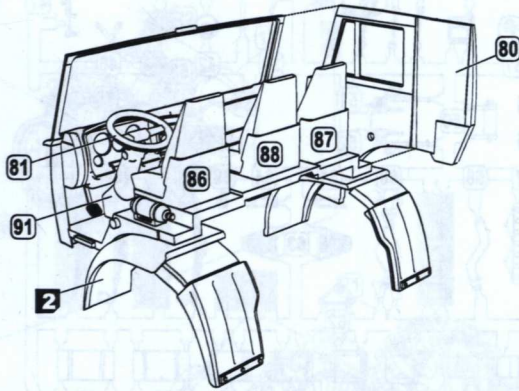
#98 - for early versions
#96 - for late versions

2



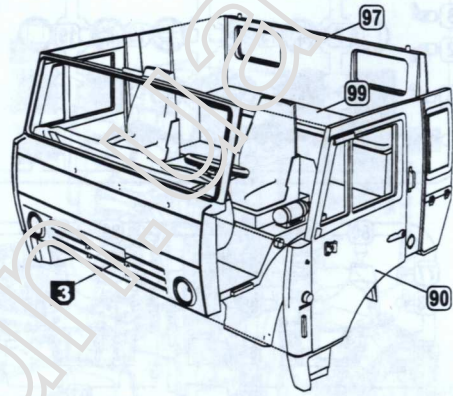
#95 - for early versions
#94 - for late versions

3

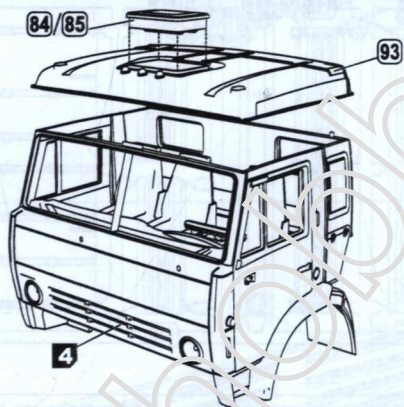


#88 - for versions with rectangular hatch on cab roof (parts #93 & 84/85)

4



5



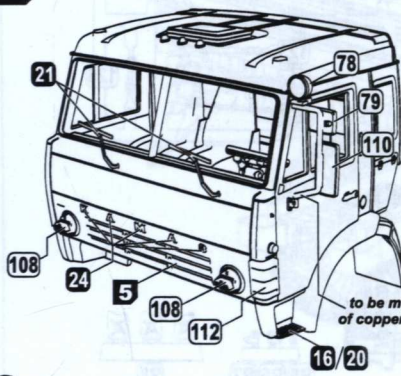
early version

options

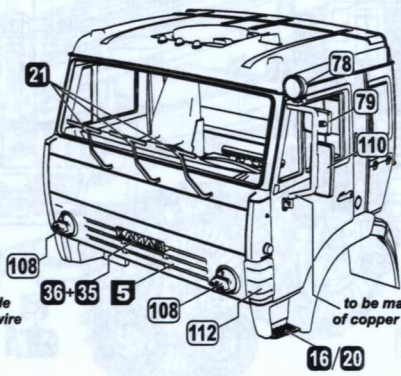


late version

6

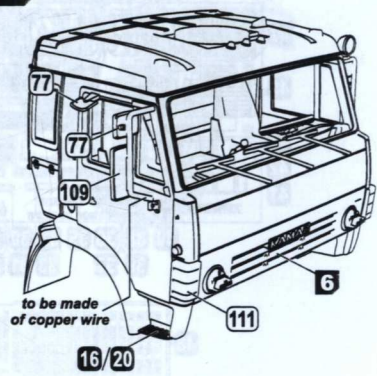


early version



late version

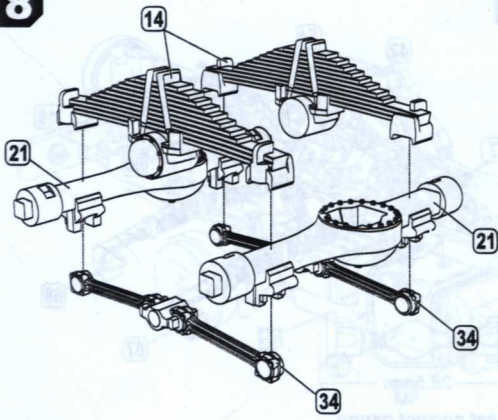
7



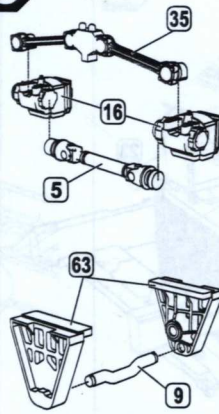
to be made of copper wire

2

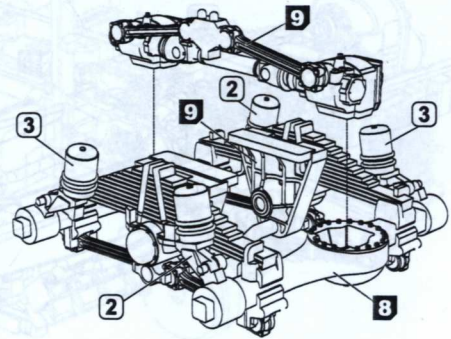
8



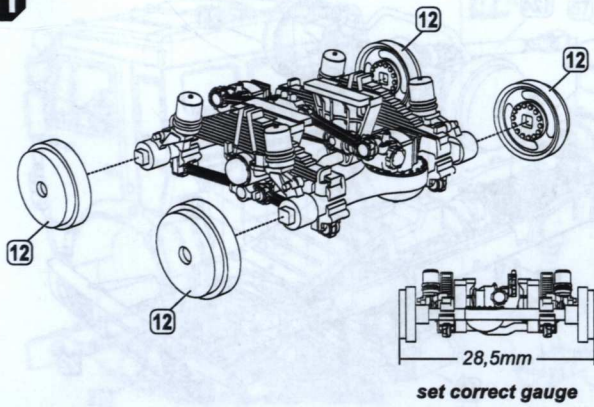
9



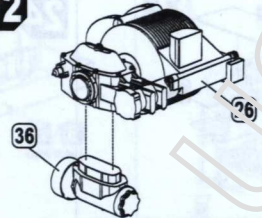
10



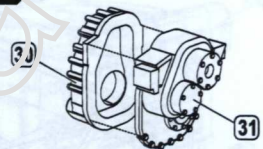
11



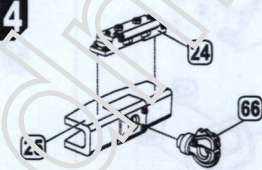
12



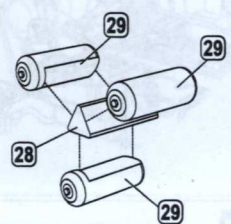
13



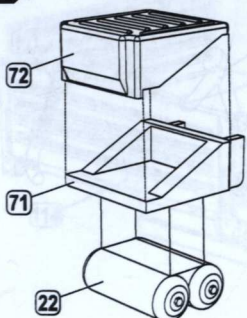
14



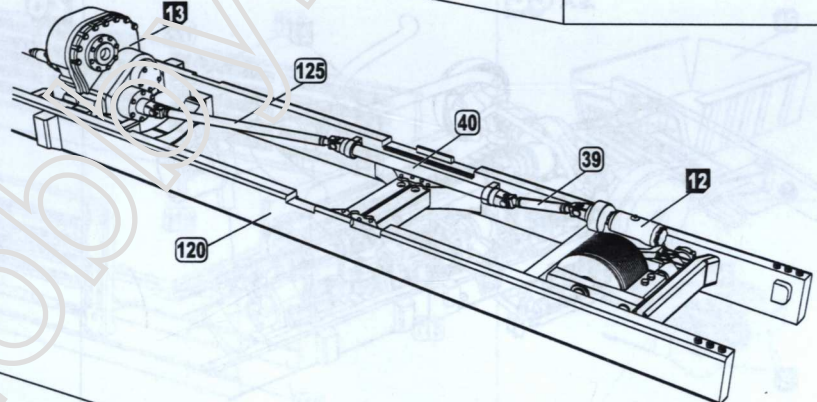
15



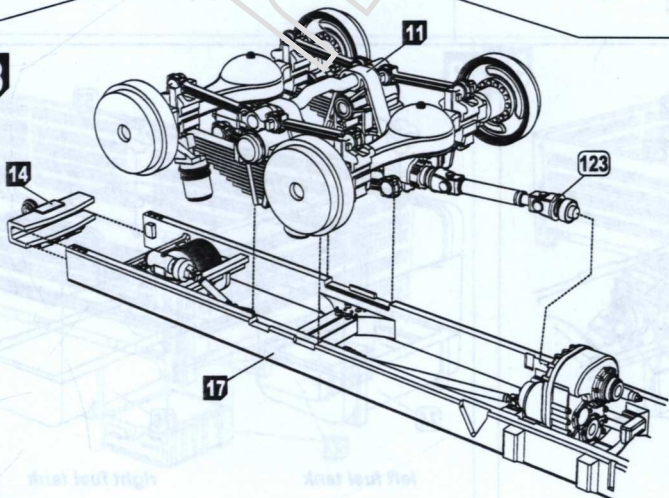
16



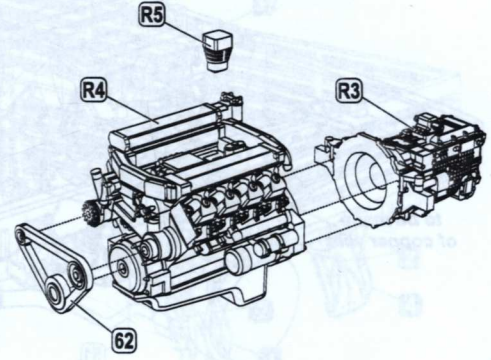
17



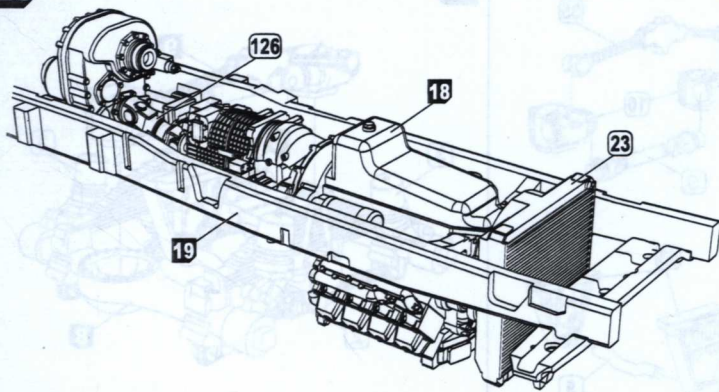
18



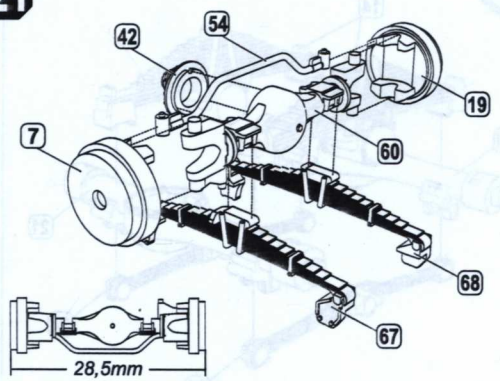
19



20

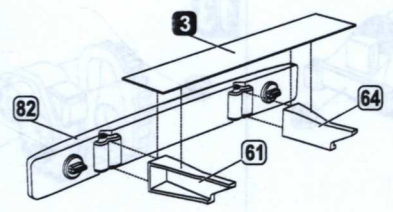


21

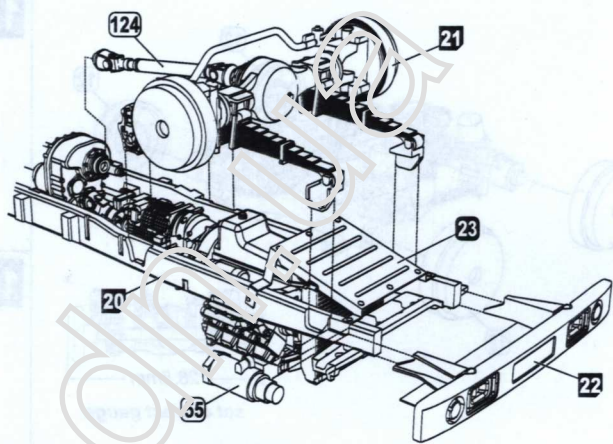


set correct gauge

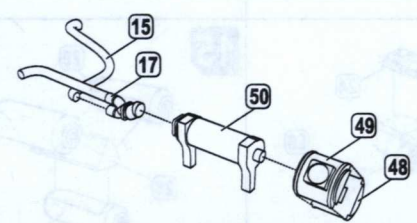
22



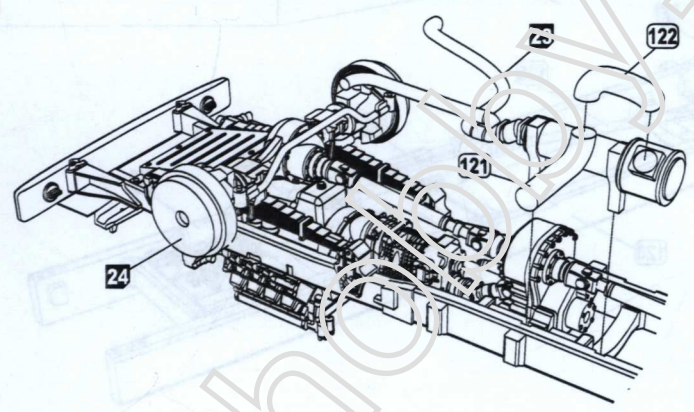
24



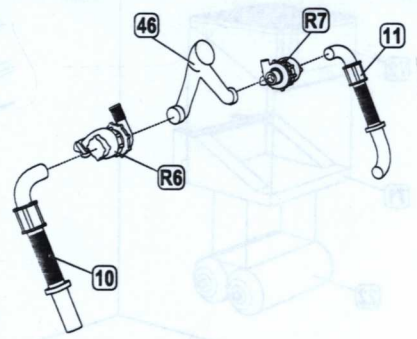
23



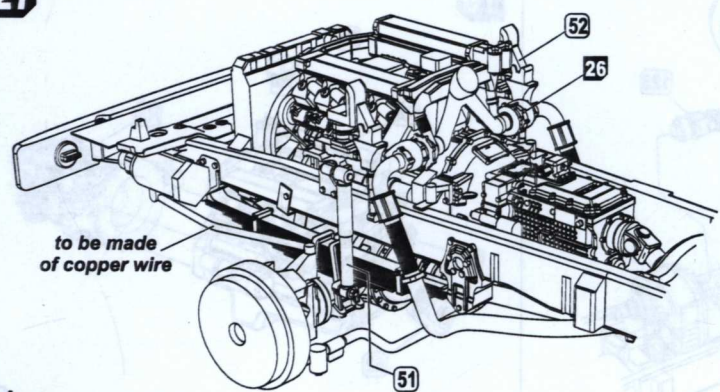
25



26

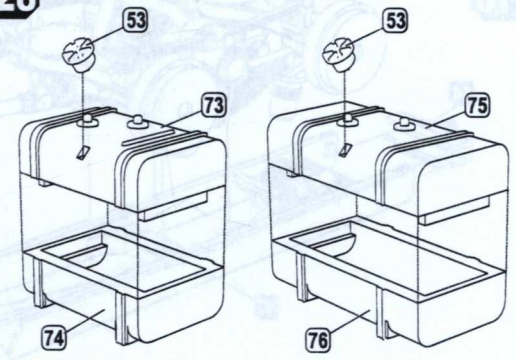


27



to be made of copper wire

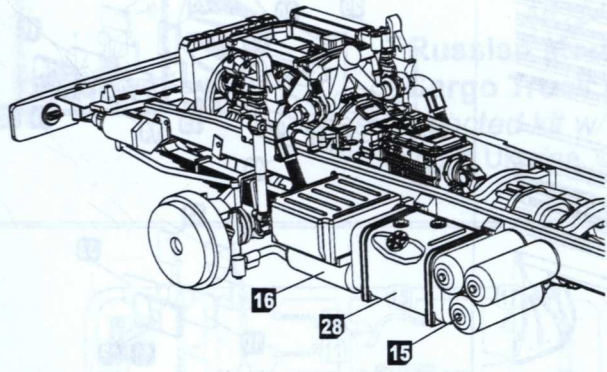
28



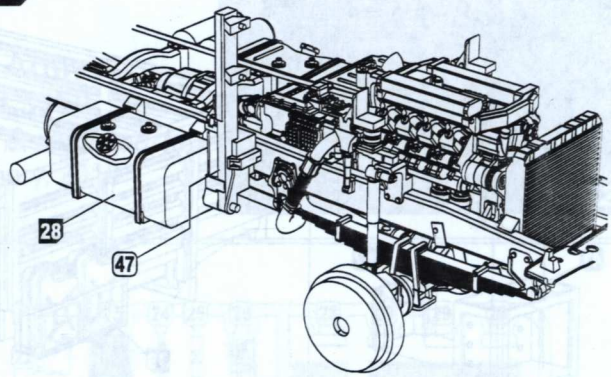
left fuel tank

right fuel tank

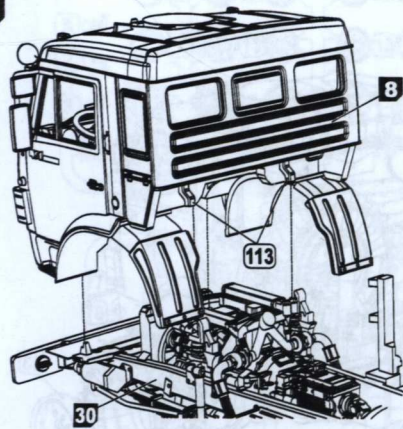
29



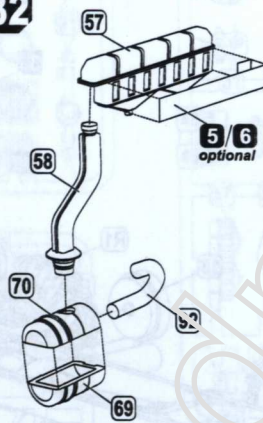
30



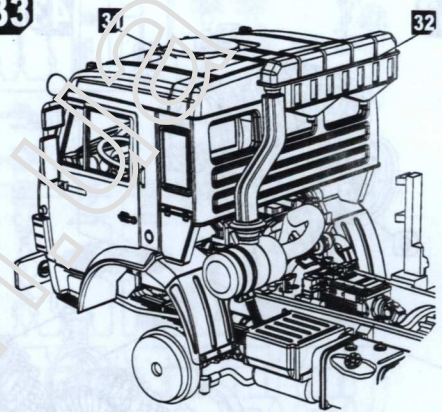
31



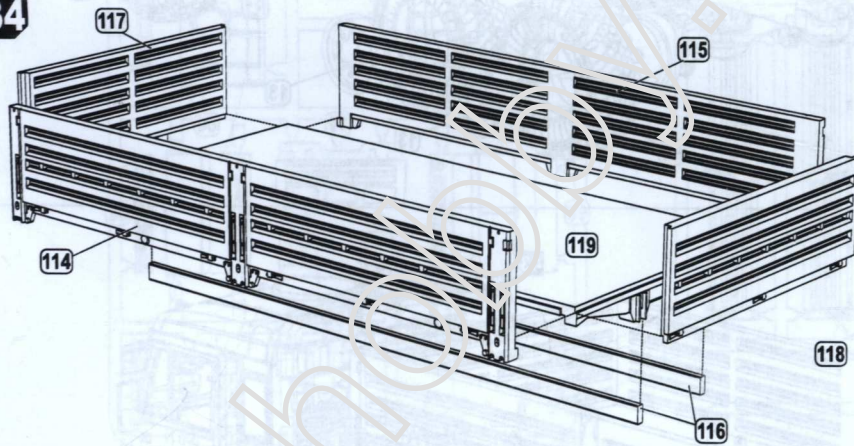
32



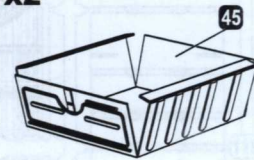
33



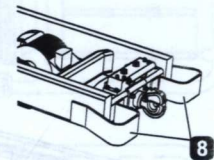
34



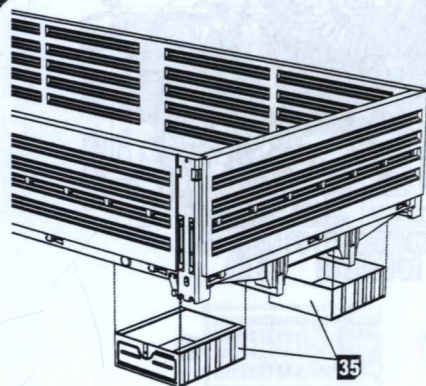
35 x2



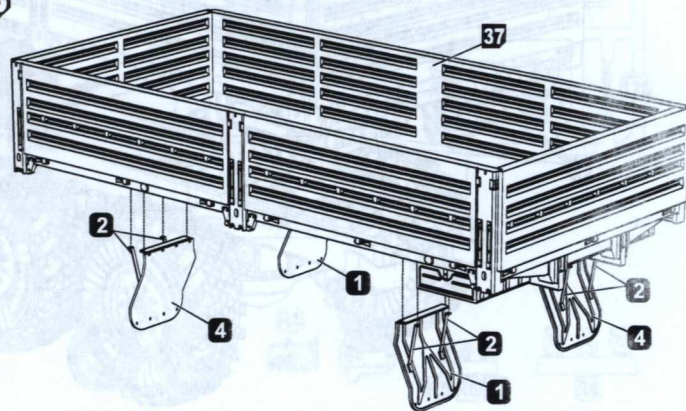
36



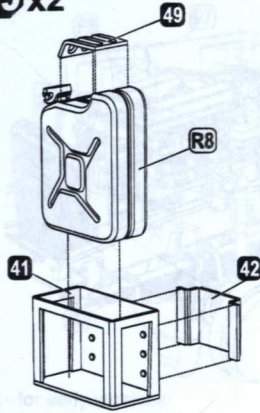
37



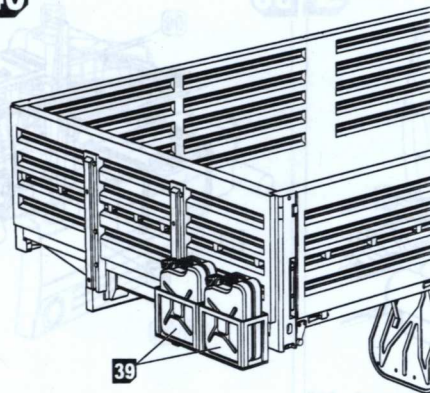
38



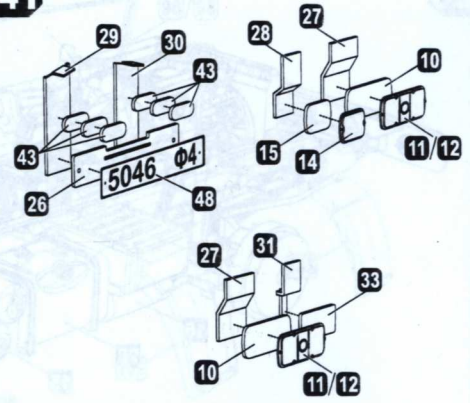
39x2



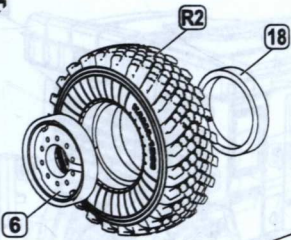
40



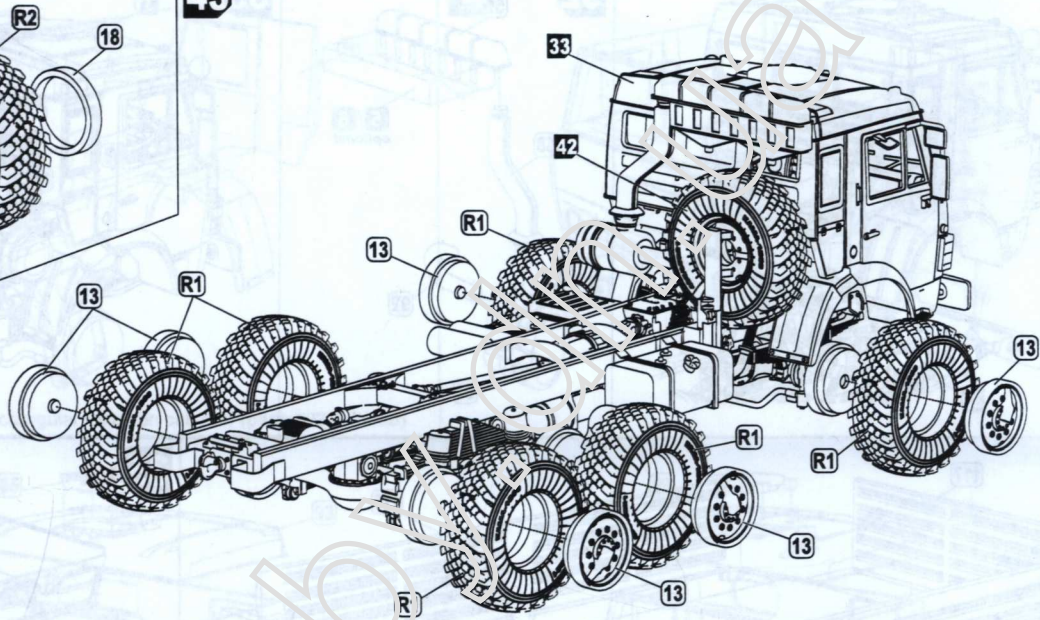
41



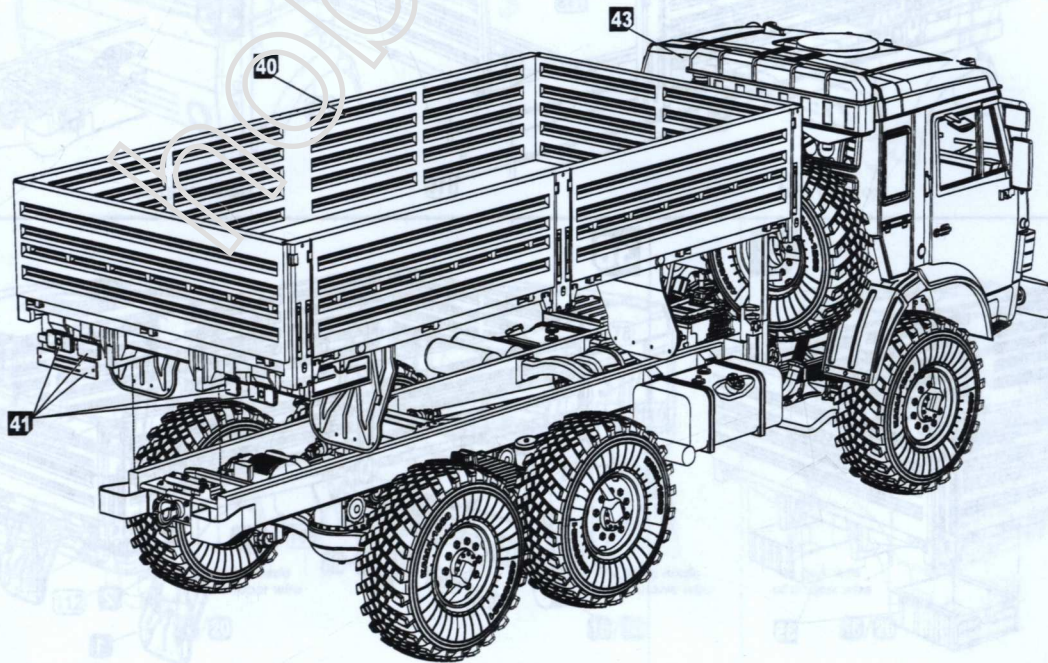
42



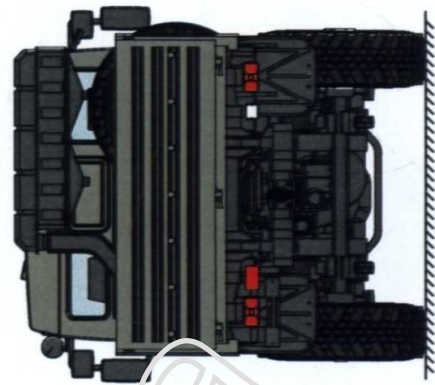
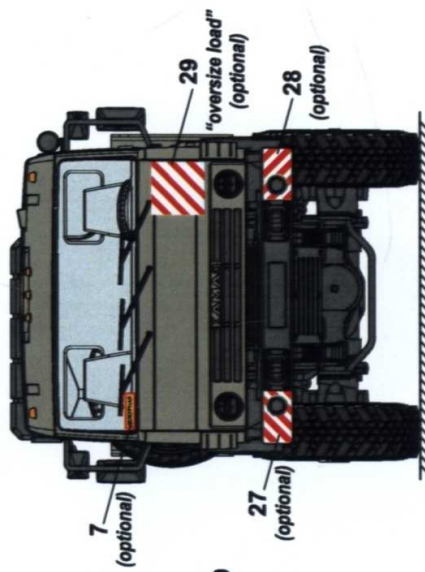
43



44



Russian Modern Army Cargo Truck mod.5350



Russian Mineclearing Service Truck mod.5350

