

TIGER I INITIAL PRODUCTION



Pz.Kpfw.VI Ausf.E s.Pz.Abt.502 LENINGRAD REGION 1942/3 Winter

w/ 2 Figures

3 IN 1



JASON 2021

JASON

1/35 SCALE
BT-014

- ◆ PE PARTS INCLUDED
- ◆ METAL GUN BARREL INCLUDED
- ◆ INCLUDES PE PARTS AND EXTENSIVE MARKINGS
- ◆ INCLUDES 2 SPECIAL STYLES OF STORAGE BOXES
- ◆ TWO STYLES OF TRACKS ARE INCLUDED, INCLUDING MIRROR TRACKS ◆ INCLUDES A COMMANDER AND SOLDIER FIGURE
- ◆ PEAN PARTS INCLUDED ◆ CAN MAKE AS 100 TO 3 NO.422 THREE KINDS OF STYLES
- READY TO ASSEMBLE PRECISION MODEL KIT ● MODELING SKILLS HELPFUL IF UNDER 14 YEARS OF AGE ● MODEL MAY VARY FROM IMAGE ON BOX ● CEMENT AND PAINT NOT INCLUDED

部品图 Parts

A: Main body parts, including turret and hull components.

B x2: Track links and sprockets.

C: Gun barrel and breech parts.

D: Engine and transmission housing parts.

E: Additional track links and sprockets.

F: Front hull and suspension parts.

G: Transparent parts for the turret and hull.

H: Small detail parts and pins.

I: Track guide wheels and rollers.

J: Drive sprockets and idlers.

K: Additional track links.

L: Small detail parts.

M: Gun turret and mounting parts.

N: Small detail parts.

O: Small detail parts.

P: Small detail parts.

Q: Small detail parts.

R: Small detail parts.

S: Small detail parts.

T: Small detail parts.

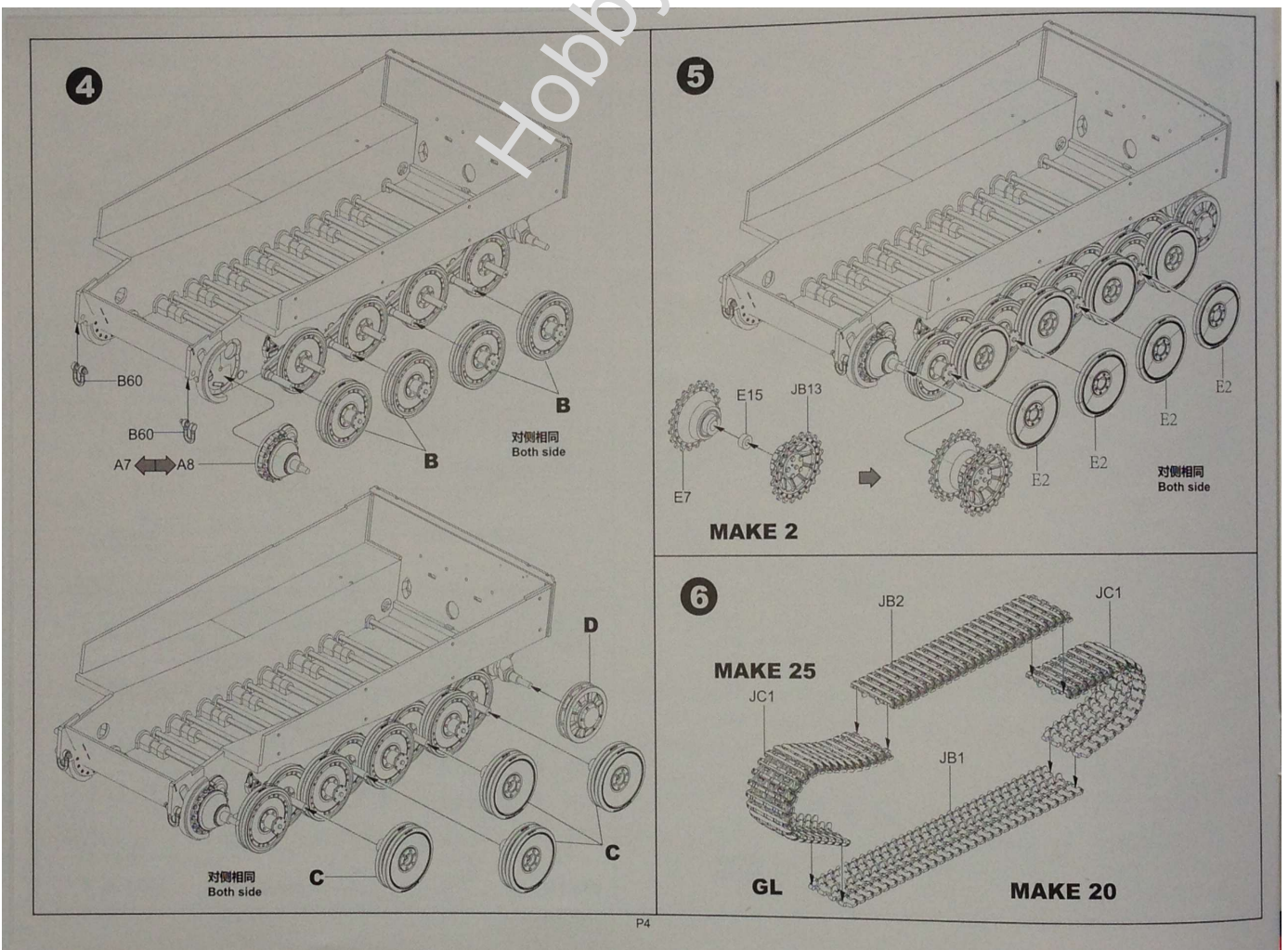
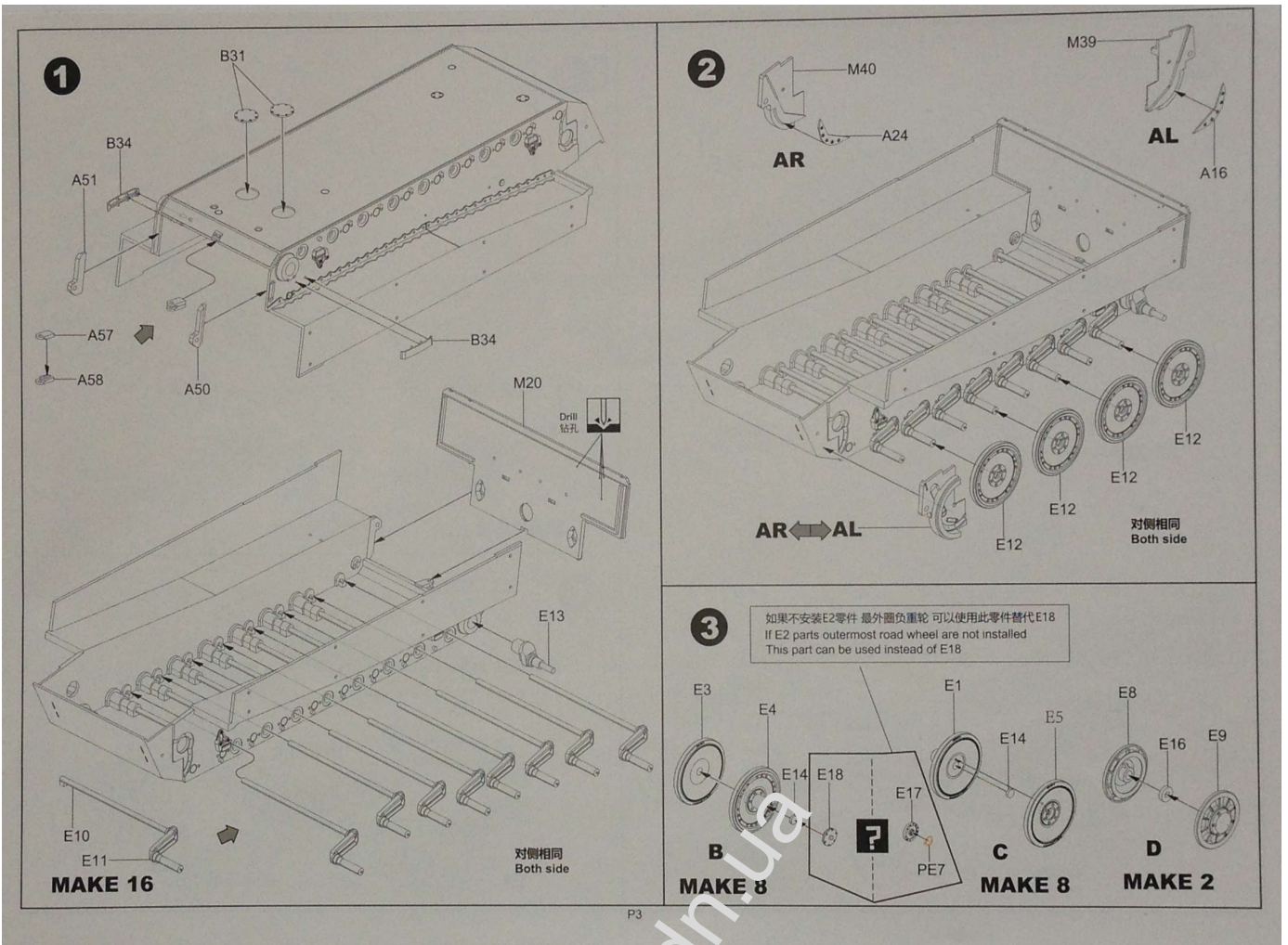
U: Small detail parts.

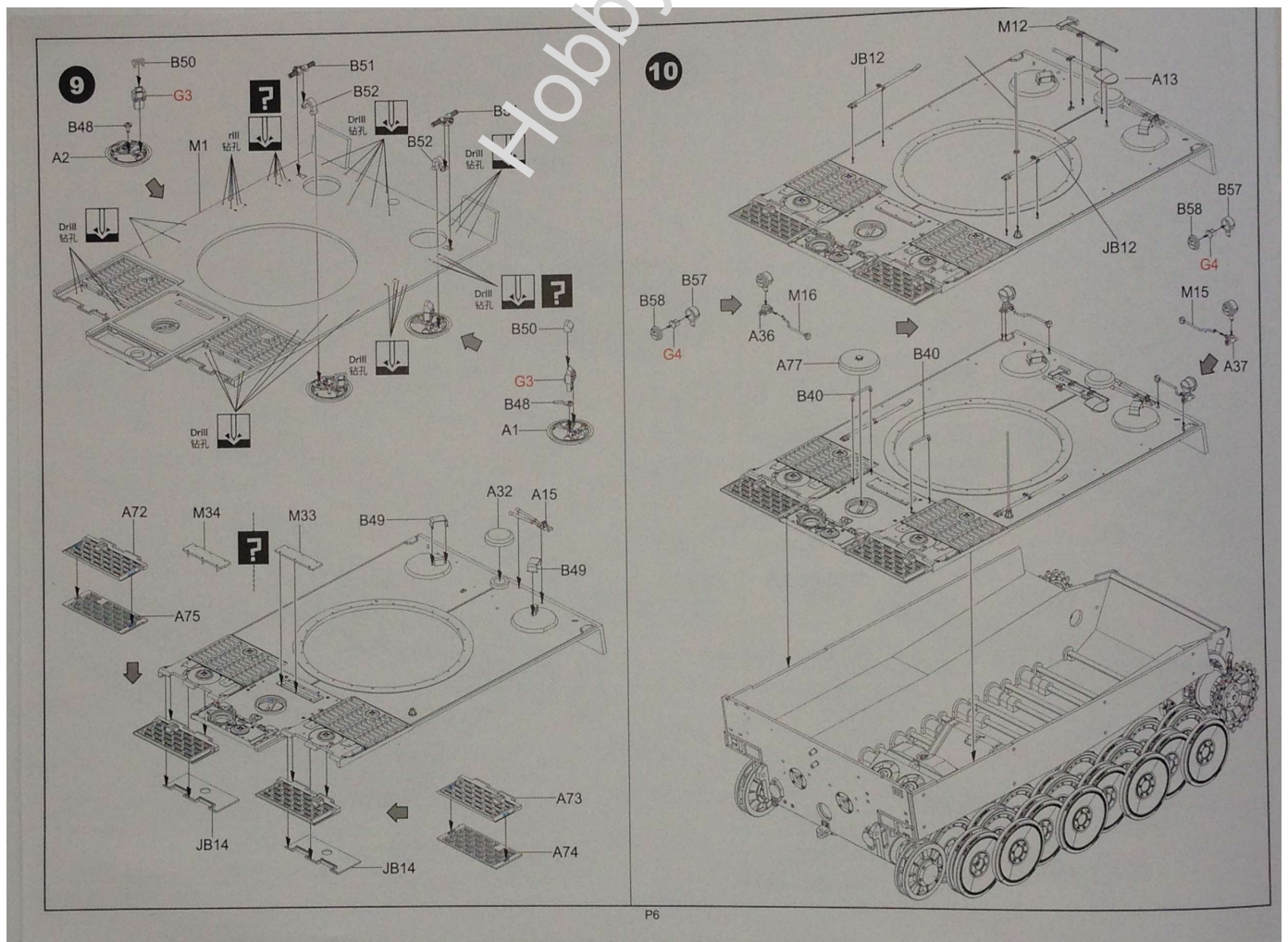
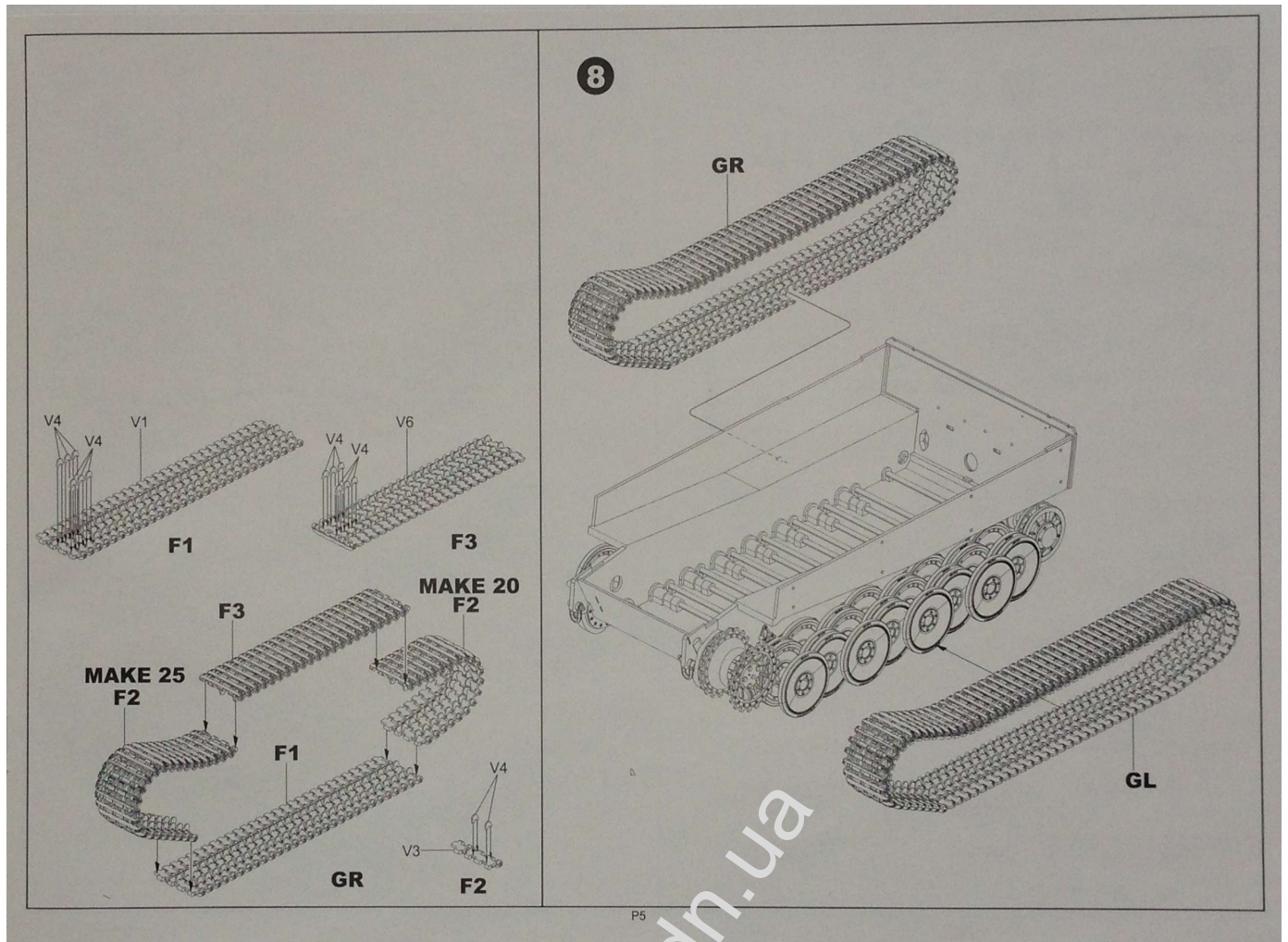
V: Tracks and sprockets.

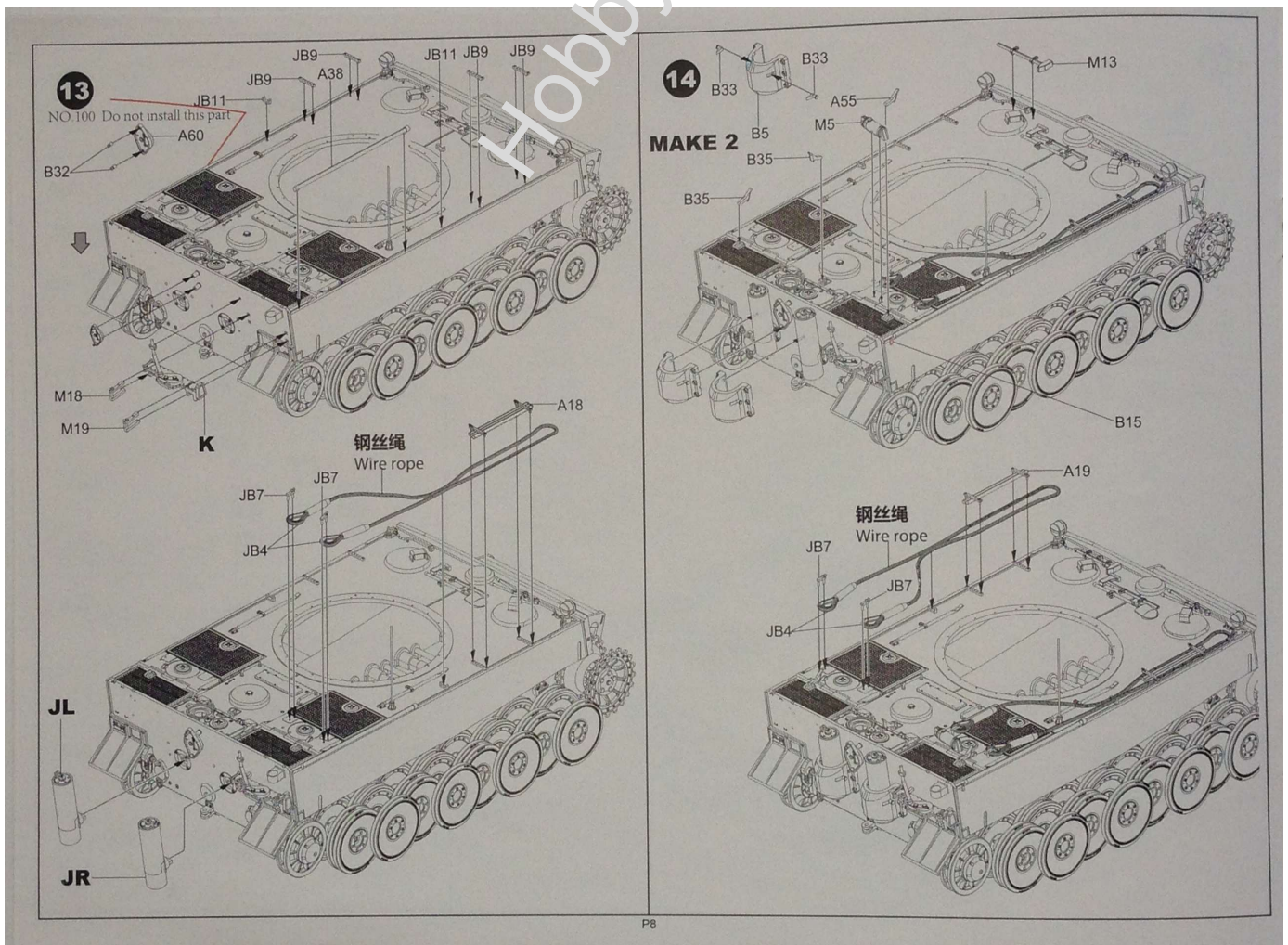
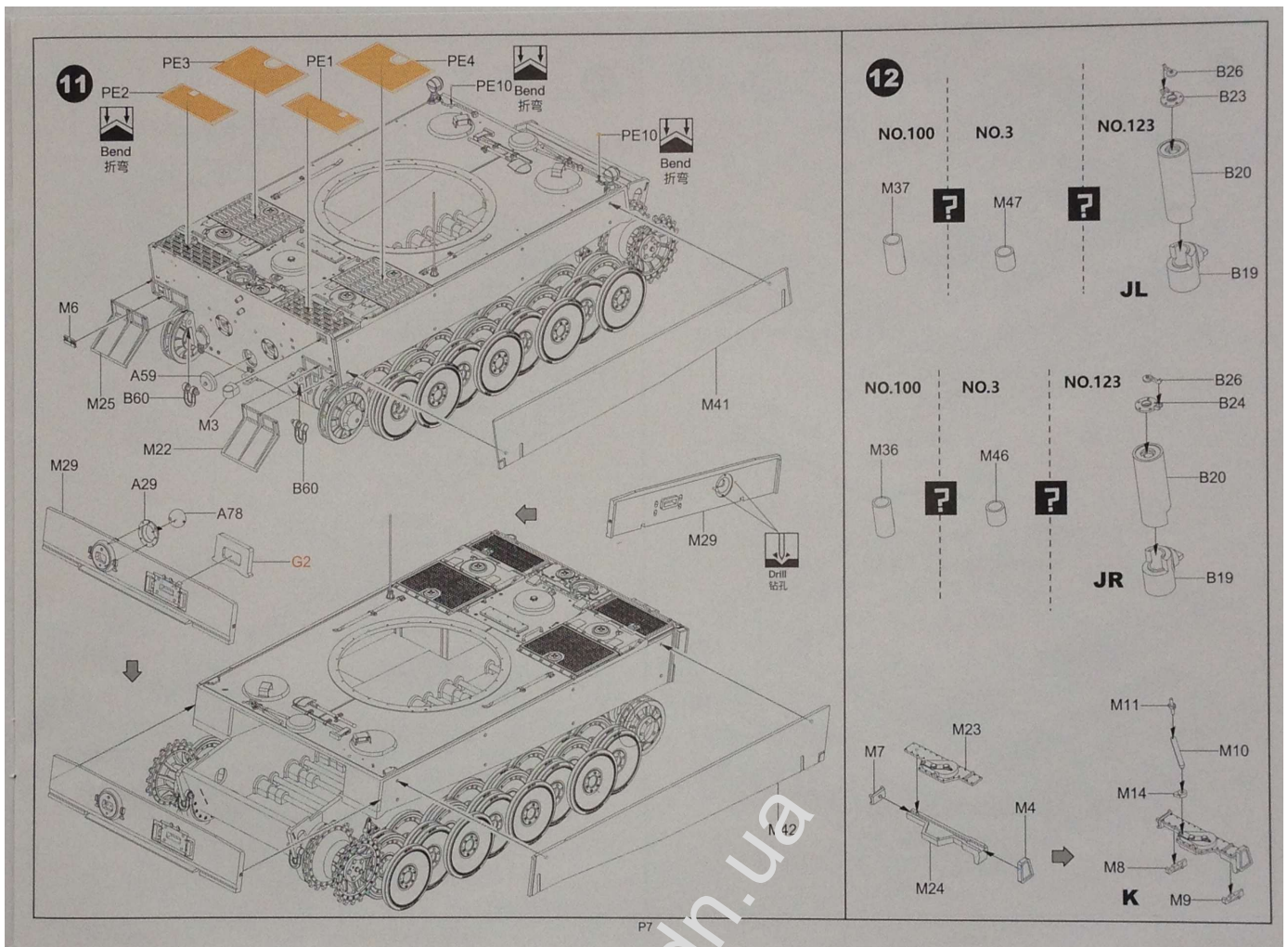
DECAL: Decal sheet with markings like '10010033', '123', and '123'.

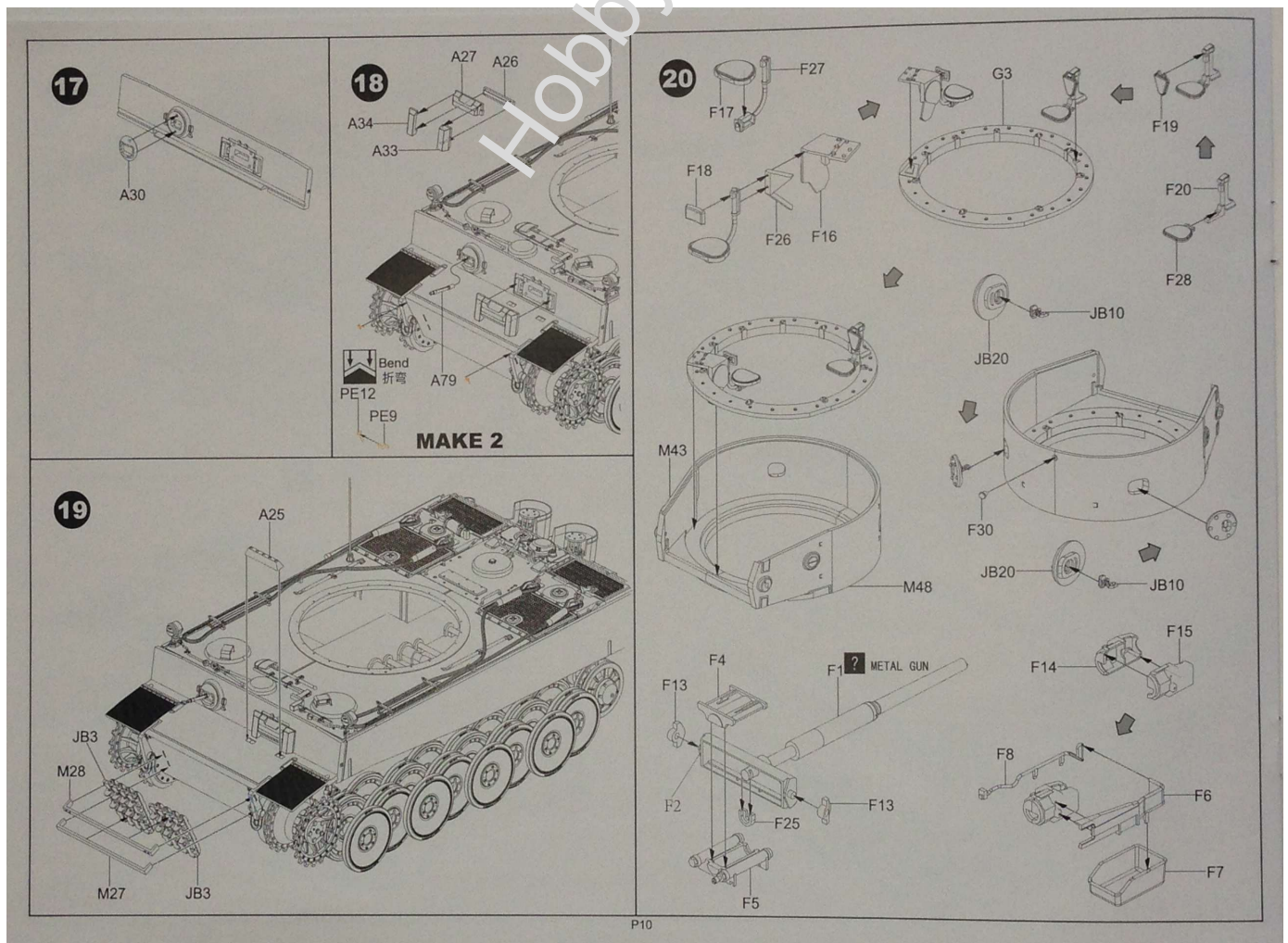
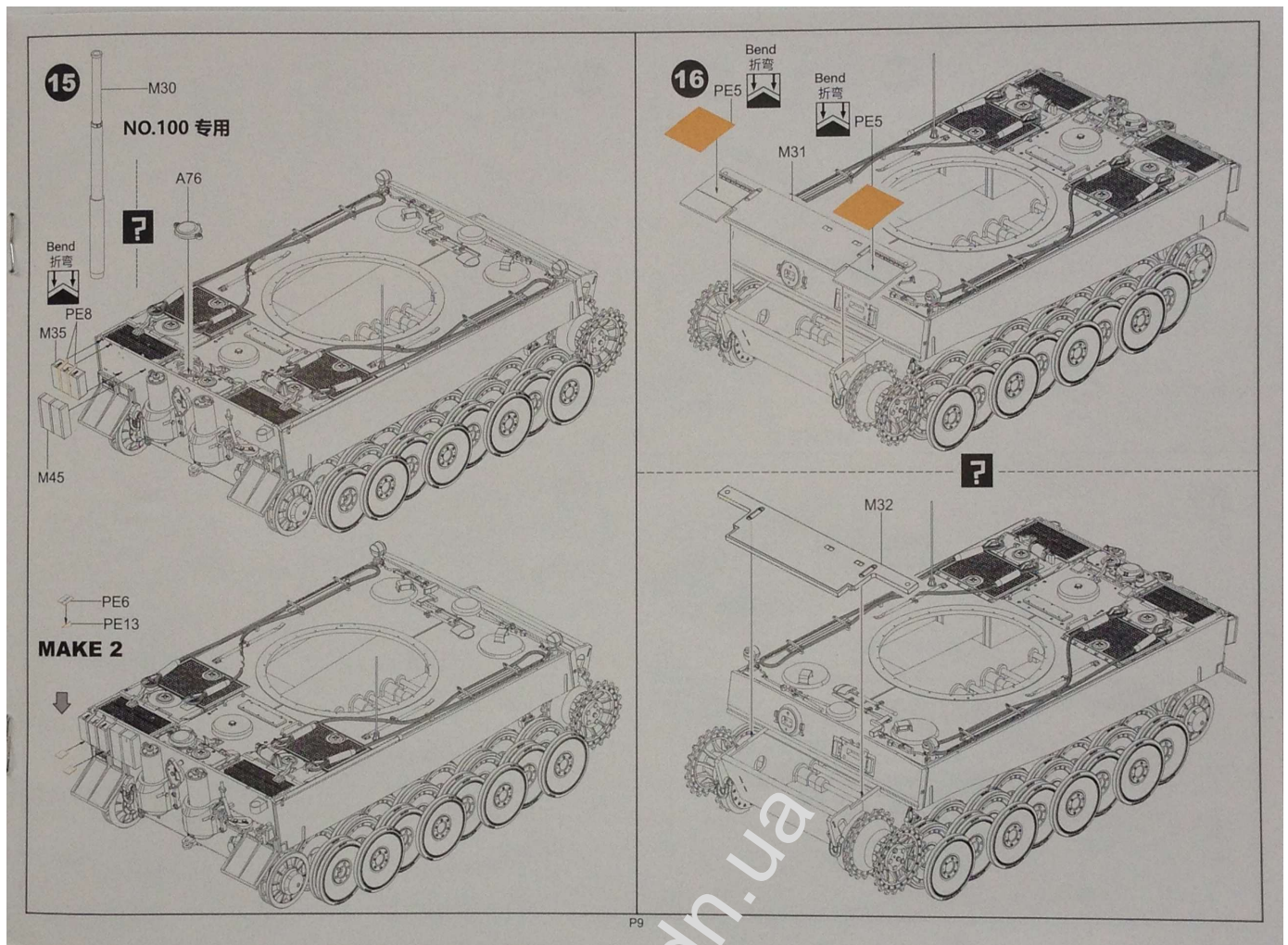
PE: Photo-etched parts.

G (transparent parts): Small detail parts for the turret and hull.









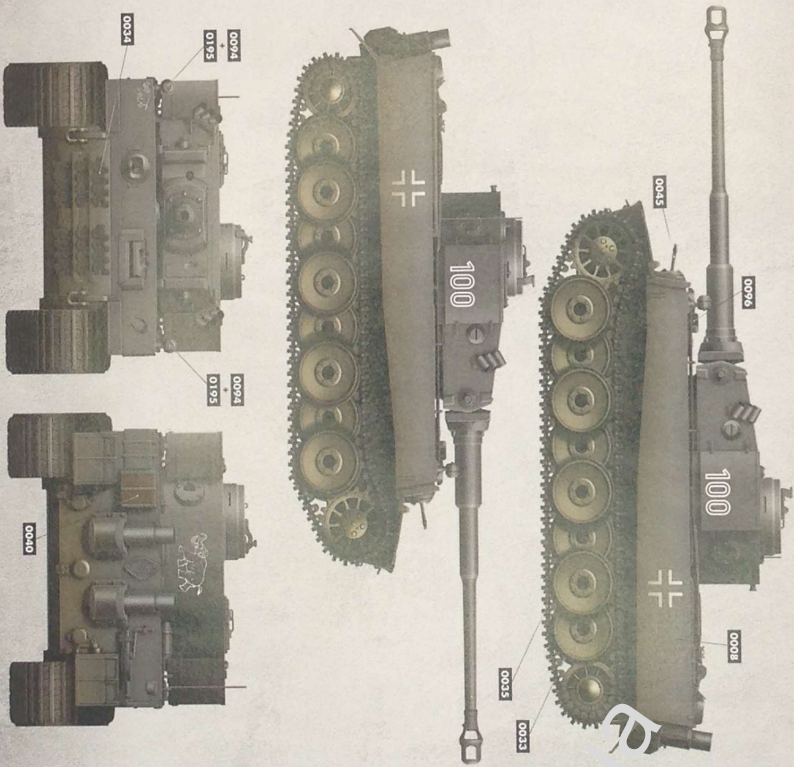
TIGER I EARLY



PAINTING AND MARKING GUIDE

BORDER MODEL REF: BT-014 Pz.Abt 502 Leningrad sector September 1942

- AMMO-0008 Dark Green
- AMMO-0009 Medium Rust
- AMMO-0195 Silver
- AMMO-0003 Rubber & Tire
- AMMO-0045 Gun Metal
- AMMO-0005 Dark Tundra
- AMMO-0094 Crystal Glass
- AMMO-0099 Crystal Periscope Green
- AMMO-0004 Rust Tracks
- AMMO-0094 Crystal Glass
- AMMO-0005 Dark Tundra



- WEATHERING STEPS WITH AMMO PRODUCTS**
- 1 GENERAL WASH** AMMO-1000 Primer Grey
 - 2 RUST** AMMO-1509 Blue for Dark Grey
 - 3 STRUCTURE** AMMO-1202 Straining Green for Primer Grey
 - 4 AMMUNITION** AMMO-1203 Straining/Grey for Primer Grey
 - 5 TRACKS WASH** AMMO-1002 Track Wash
 - 6 DIRT** AMMO-5013 Rubber Pigment
 - 7 MUD** AMMO-1103 Mud Ground
 - 8 SCRATCHES** AMMO-1132 Iron Ground
 - 9 FUEL** AMMO-1400 Fuel Stains
 - 10 OIL** AMMO-1408 Fresh Engine Oil

www.ammo.es

