

# LEOPARD 2A6 TANK



## "UKRAINE"

### レオパルト2 A6 "ウクライナ軍"



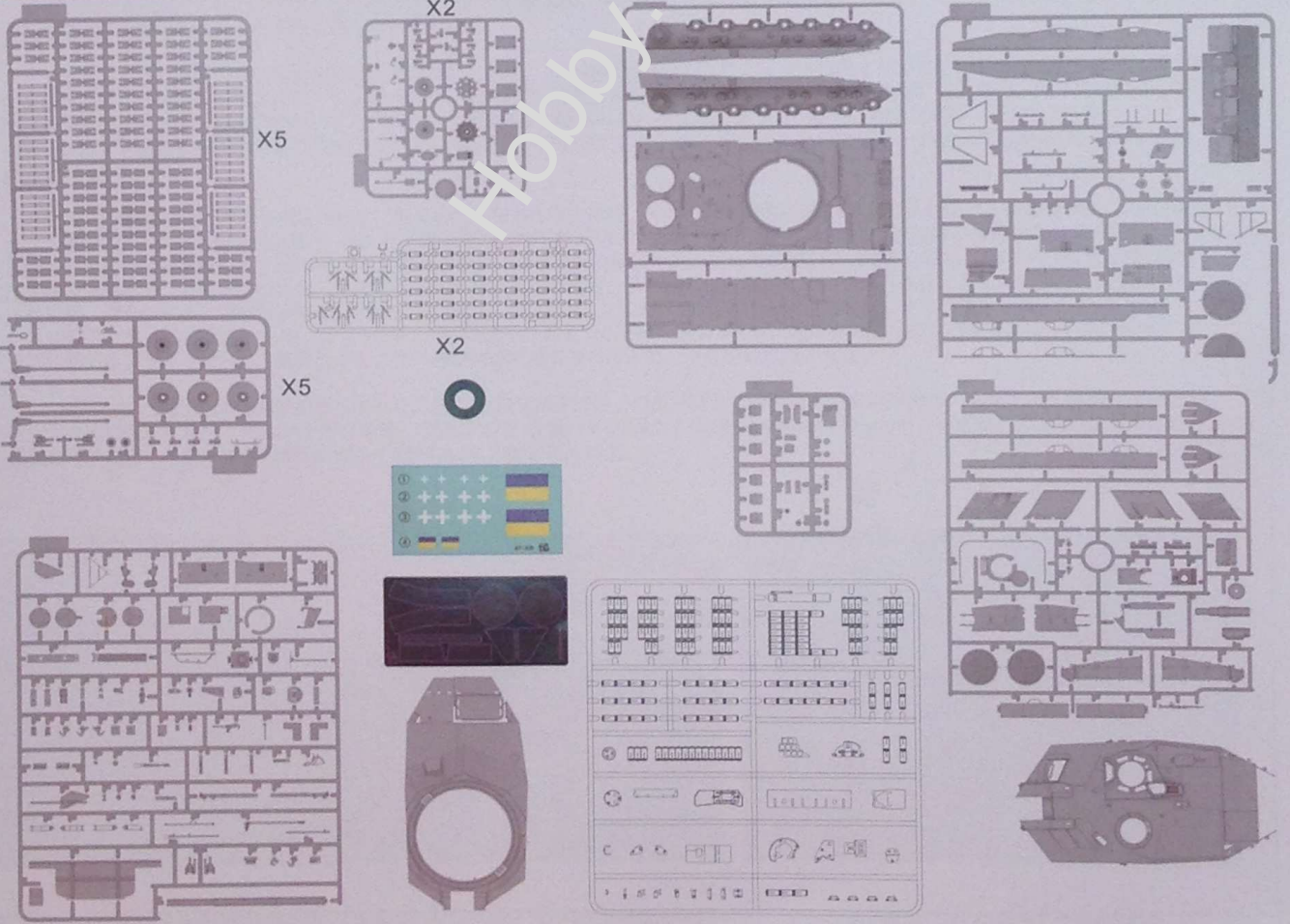
**1/35**  
SCALE  
BT-031

- ◆ UKRAINE KONTAKT-1 EXPLOSIVE REACTIVE ARMOR
- ◆ MOVABLE SUSPENSION
- ◆ 2 TYPES OF PARTS ARE INCLUDED
- ◆ INCLUDING AT AN EARLY AND AN LATE CEMENT FREE WORKABLE TRACKS
- ◆ PENICILLIN THE PART & METAL PARTS ARE INCLUDED

◆ TRACKS ARE RESPONSIBLE & PRODUCTION MODEL SET ◆ TRACKS AND SMOKE ◆ TRACKS IN 1/35 YEARS OF AGE ◆ BUCK'S MARKINGS SHOW TRACKS ON BOX ◆ CEMENT AND PAINT NOT INCLUDED



Hobby-dn.ua





## History | 历史介绍

# Leopard 2A6 Tank "Ukraine"

On January 25, 2023, Germany, which had been opposed to providing Leopard 2 tanks to Ukraine, suddenly announced that it would supply Leopard 2 tanks to Ukraine, with the first batch of 13 Leopard 2A6 tanks, while Germany also agreed to supply German-made Leopard 2 tanks to Ukraine from its allies.

Ukraine has been appealing to European countries for months for assistance with Leopard 2 tanks, but initially Europe did not agree to provide Ukraine with offensive weaponry such as main battle tanks, and the assistance was mainly for self-propelled artillery and armored vehicles. Poland announced that it will provide Ukraine with 14 Leopard 2 tanks. In addition to Poland, European countries have announced that they will provide Leopard 2 tanks to Ukraine, and in addition to Poland and Germany, which have already announced their assistance, at least the Netherlands (18), Norway (8), Finland (14), Denmark (14) and other countries have announced that they will provide Leopard 2 tanks to Ukraine. "tanks, Portugal will provide 4 Leopard 2 tanks, and Spain, 53 tanks – the total number of Leopard 2 tanks assisted by these countries has reached 100! has reached 100!

"The Leopard 2 tank was designed and developed by Krauss-Maffei, with Rheinmetall as the main manufacturer, and its development began in 1974, and it was finalized and mass-produced in 1978 and equipped with troops. "Leopard 2" tank combat weight 55.15 tons, the power system is very powerful, is the world's first tank engine output of more than 1500 horsepower, the maximum road speed of 72 km per hour, the maximum distance 550 km. The main weapon is a 120mm smoothbore gun with tail-stabilized dismantling armor-piercing ammunition, which has strong anti-armor capability. The fire control system includes bi-directional stabilization of the cannon, digital computer, laser range measurement, thermal imaging night vision device, etc. The firing accuracy is quite high. The vehicle body and turret adopt gap-type composite armor, equipped with collective three-proof device and automatic fire extinguishing device. It is currently the most advanced main battle tank in the world. For more than 40 years, the total production of "Leopard 2" tank is more than 3,000, becoming the largest production of main battle tank in Europe after World War II, more than 20 countries are equipped, almost become a universal tank in the Western world. Among them, 2125 were produced in Germany, 445 in Holland, 380 in Switzerland, 325 in Spain and 280 in Sweden, and many sub-models such as "Leopard 2A1" to "Leopard 2A7" were developed, which is still the most powerful tank in the world until today. The only defect is that the tank has not participated in actual combat and has not been tested by the war.

While most of the Leopard 2 tanks are not currently involved in much combat, most are being used for training, several photos from Ukraine show that the Ukrainians do not seem to trust the Leopard 2 tanks' protection capabilities. The Ukrainians have fitted the Leopard 2A4 with the Kontakt-1 explosive reactive armor, a remnant of the 'Soviet' era. To increase the battlefield survivability of the Leopard 2 tank. It is believed that soon there will be Leopard 2A6 tanks equipped with Kontakt-1 on the battlefield.

2023年1月25日，之前一直反对向乌克兰援助“豹2”坦克的德国，突然宣布将向乌克兰提供“豹2”坦克，第一批援助13辆“豹2A6”型坦克，同时德国也同意盟友向乌克兰提供德国制造的“豹2”坦克。


乌克兰几个月以来就一直在呼吁欧洲国家援助“豹2”坦克，但最初欧洲并没有同意向乌克兰提供主战坦克这样的进攻性武器装备，援助的主要都是一些自行火炮、装甲运输车，情况是在进入2023年以后发生了变化，波兰宣布将向乌克兰提供14辆“豹2”坦克。除了波兰以外，欧洲国家表示将向乌克兰提供“豹2”坦克，除了已经宣布援助的波兰和德国以外，至少还有荷兰（18辆）、挪威（8辆）、芬兰（14辆）、丹麦（14辆）等国家宣布将向乌克兰援助“豹2”坦克，葡萄牙将援助4辆“豹2”坦克，西班牙，提供53辆——这些国家援助的“豹2”坦克总数已经达到100辆之多！


“豹2”坦克由克劳斯·玛菲公司设计研发，莱茵金属公司为主要生产商，1974年开始研制，1978年定型开始量产，并装备部队。“豹2”坦克战斗全重55.15吨，动力系统十分强劲，是世界上第一种输出功率超过1500马力的坦克发动机，最大公路速度每小时72公里，最大行程550公里。主要武器是1门120毫米滑膛炮，配有尾翼稳定脱壳穿甲弹，具有很强的反装甲能力。火控系统包括大炮双向稳定、数字式计算机、激光测距、热成像夜瞄装置等，射击精度相当高。车体和炮塔采用间隙式复合装甲，配有集体三防装置和自动灭火装置。是目前世界上性能最先进的主战坦克。四十多年来，“豹2”坦克的总产量超过3000辆，成为欧洲二战以后产量最大的主战坦克，有二十多个国家装备，几乎成了西方世界的通用坦克。其中德国2125辆、荷兰445辆、瑞士380辆、西班牙325辆、瑞典280辆，并发展出了“豹2A1”到“豹2A7”等多个子型号，直到今天依然是世界上综合战力最强的坦克，唯一的缺陷就是没有参与过实战，没有经受过战火考验。


虽然当前大多数豹2坦克并没有太多的参与实战，多数正用于训练，但是从乌克兰传出的多张照片则表明，乌克兰人似乎对豹2坦克的防护能力并不信任。乌克兰人为豹2A4坦克安装了前苏联时代遗留的 Kontakt-1 explosive reactive armor。以增加豹2坦克的战场生存能力。相信在不久之后，一定会出现安装 Kontakt-1 的豹2A6坦克驰骋在战场上。






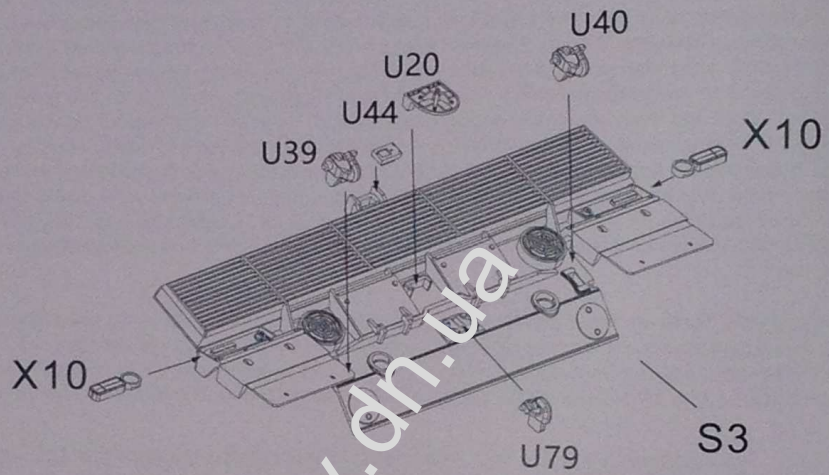
 钻孔  
Drill hole

 免胶  
Glue free

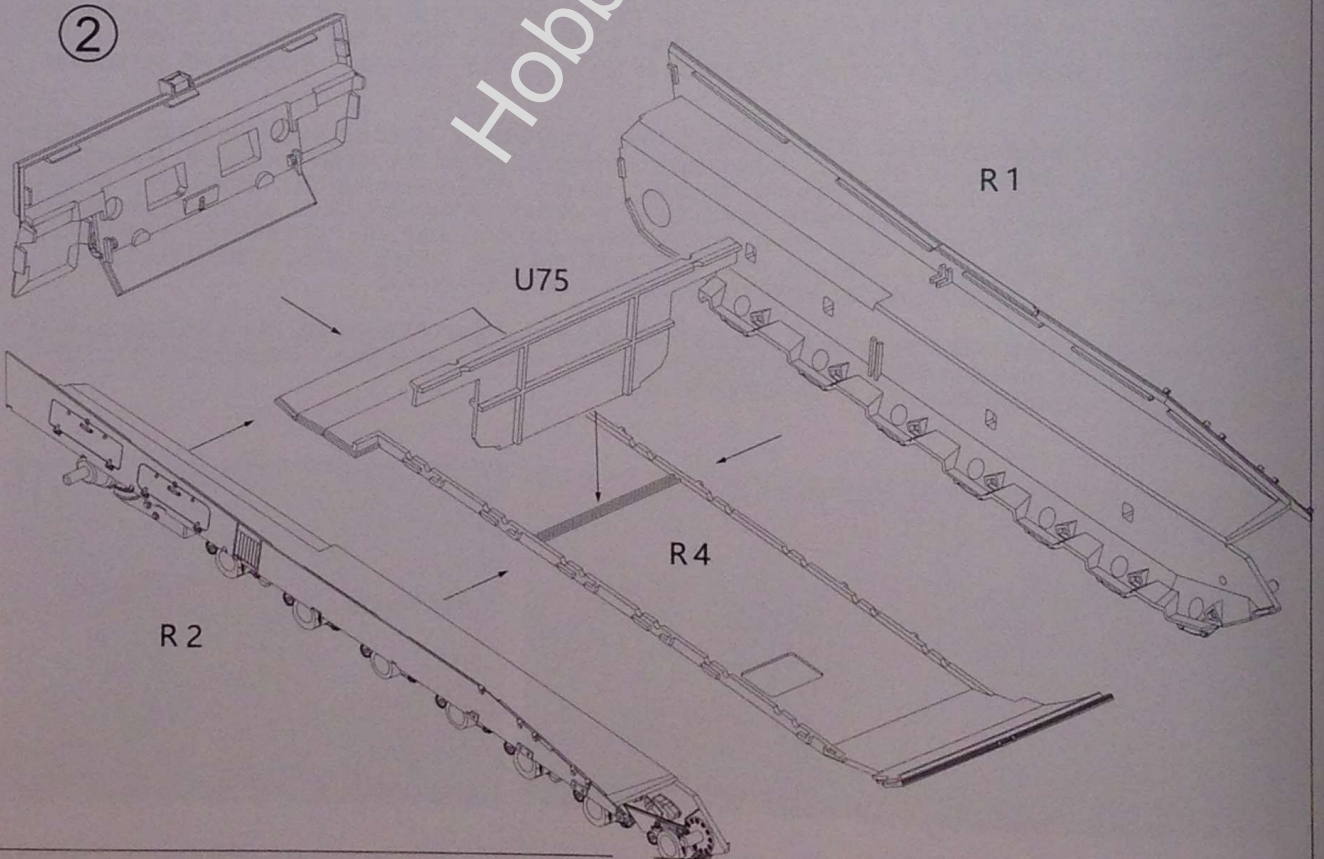
 切除  
Cut off

 选择  
Choose

①

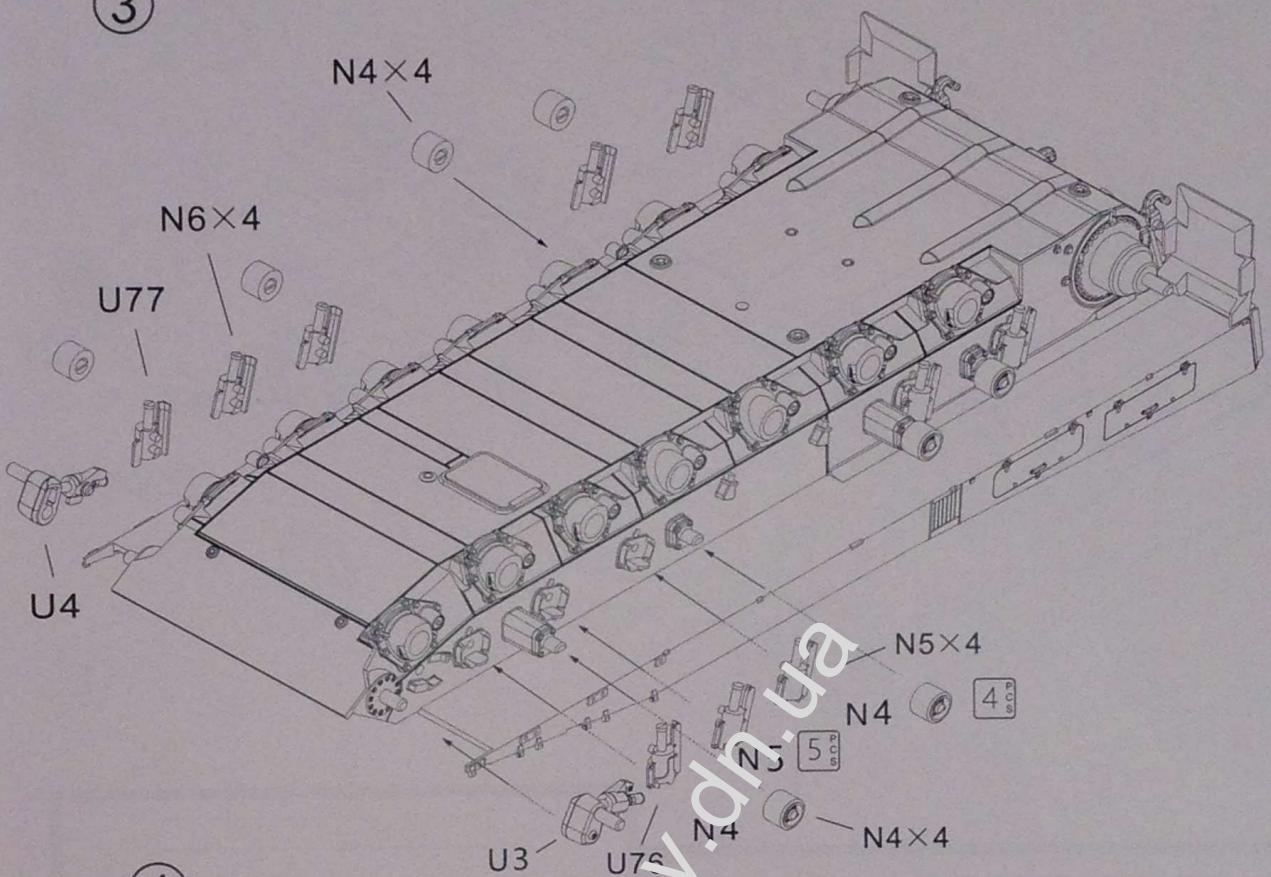


②

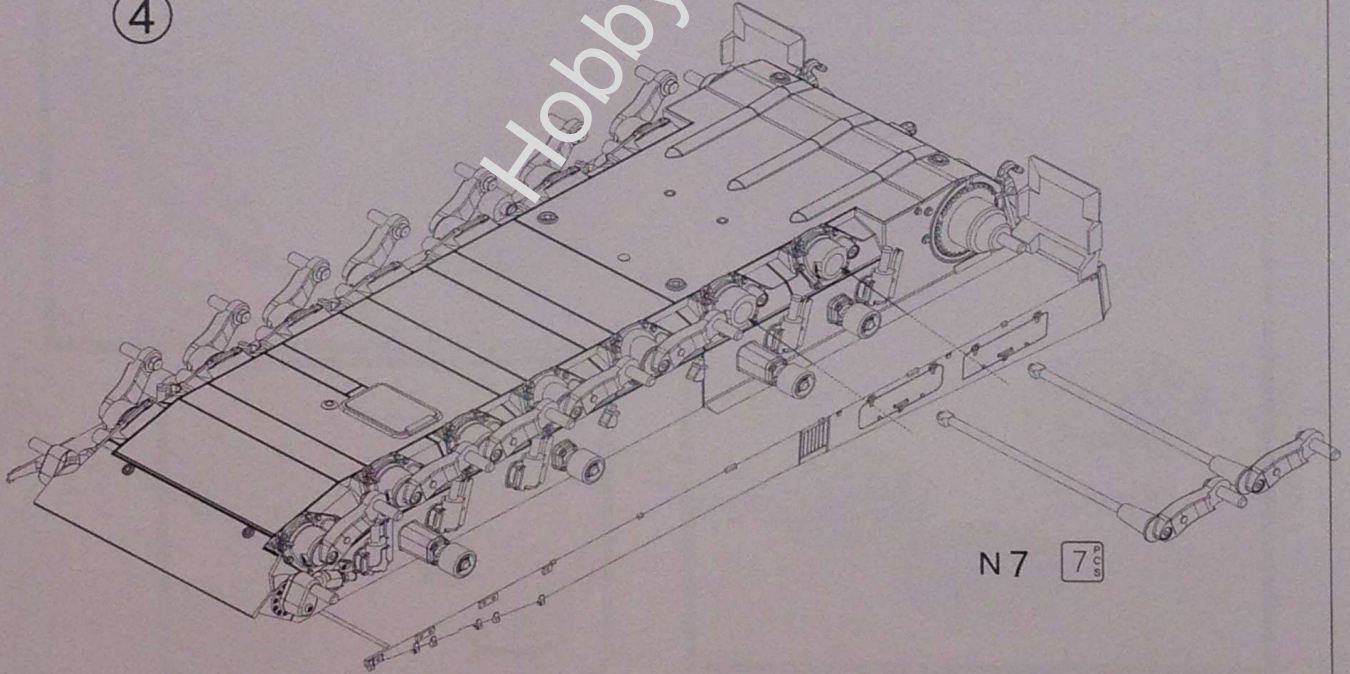




3

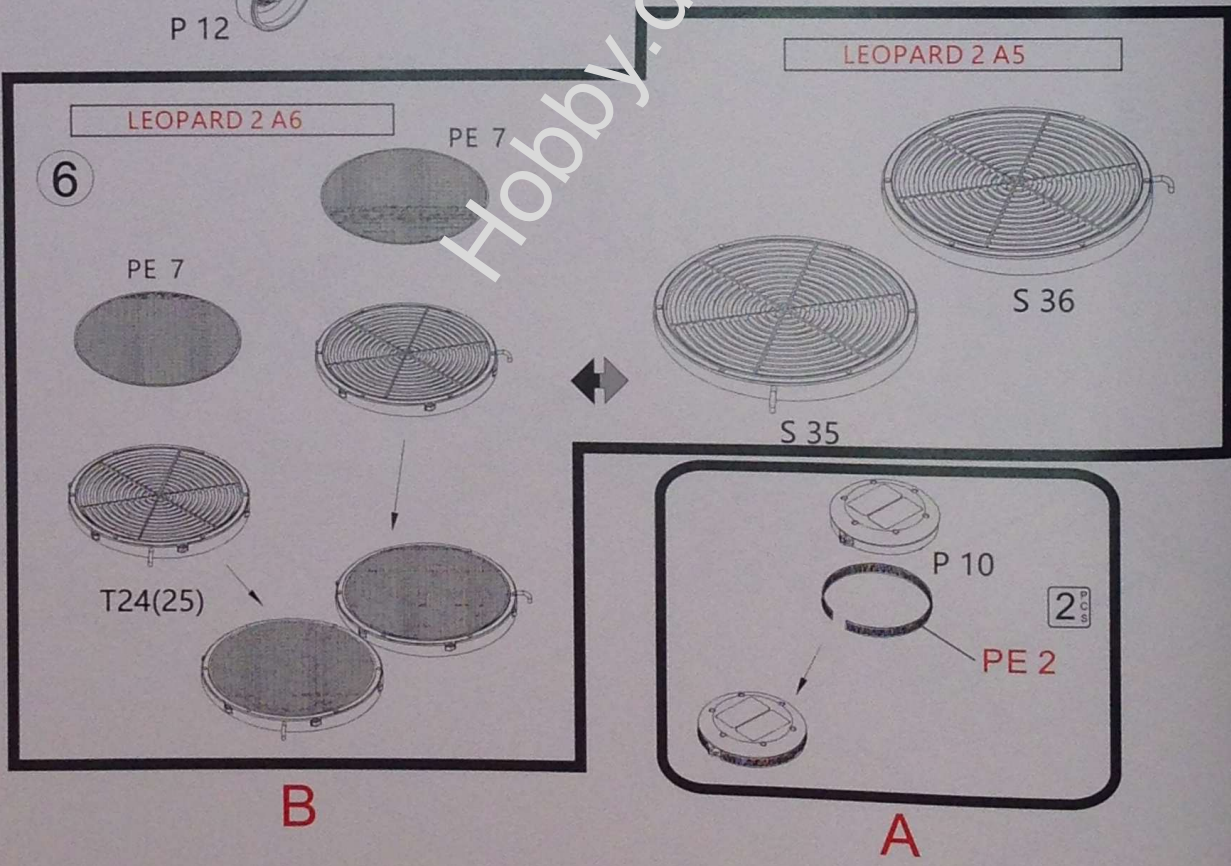
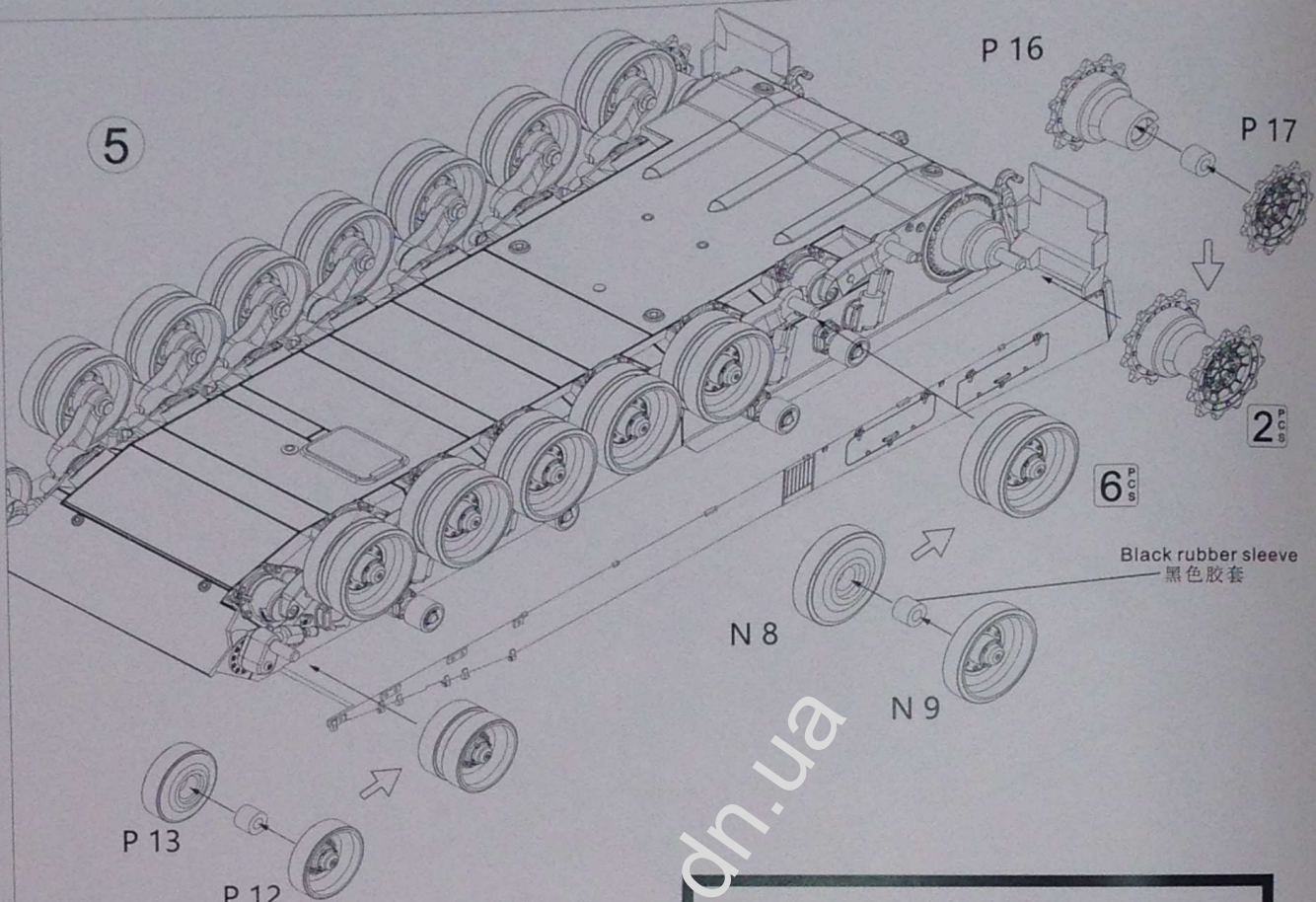


4



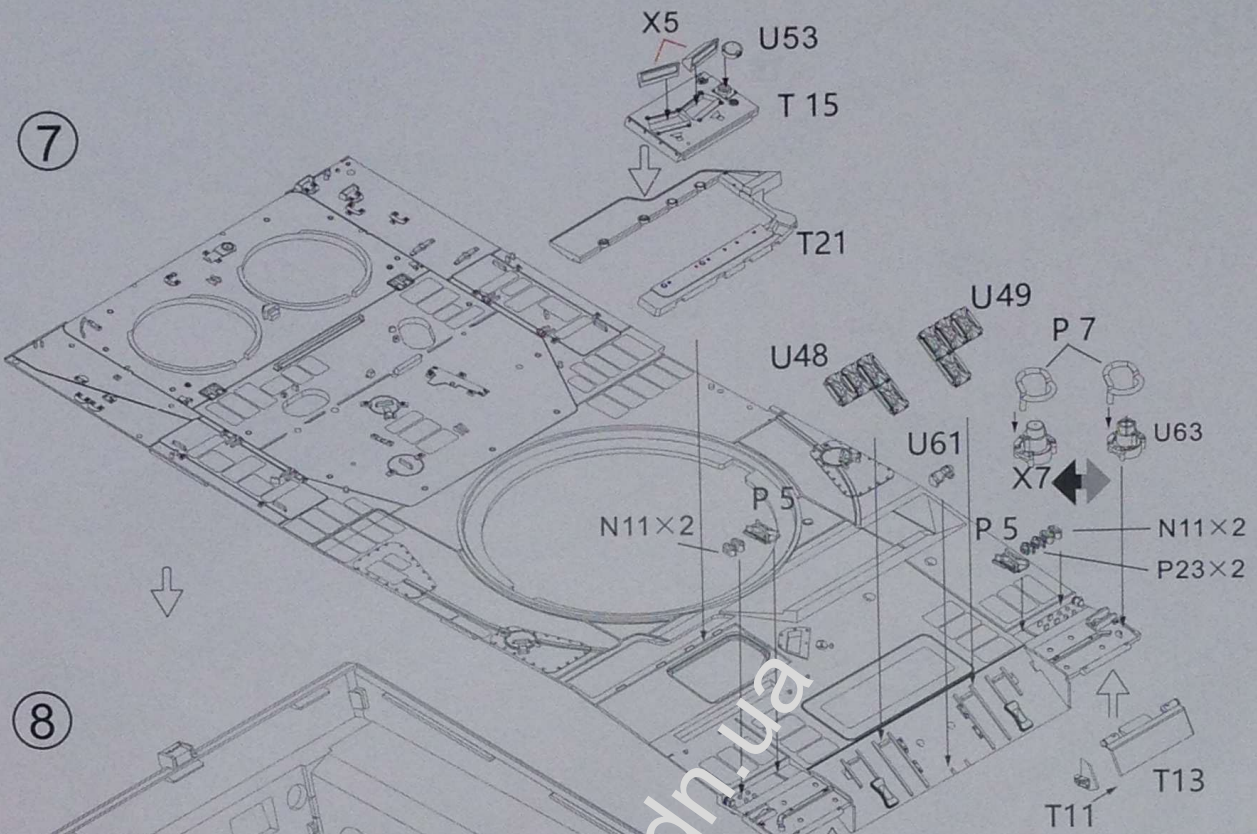
Hobby.dn.ua



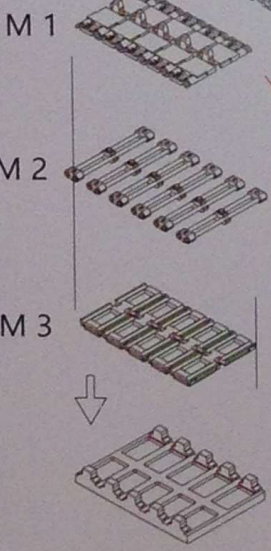
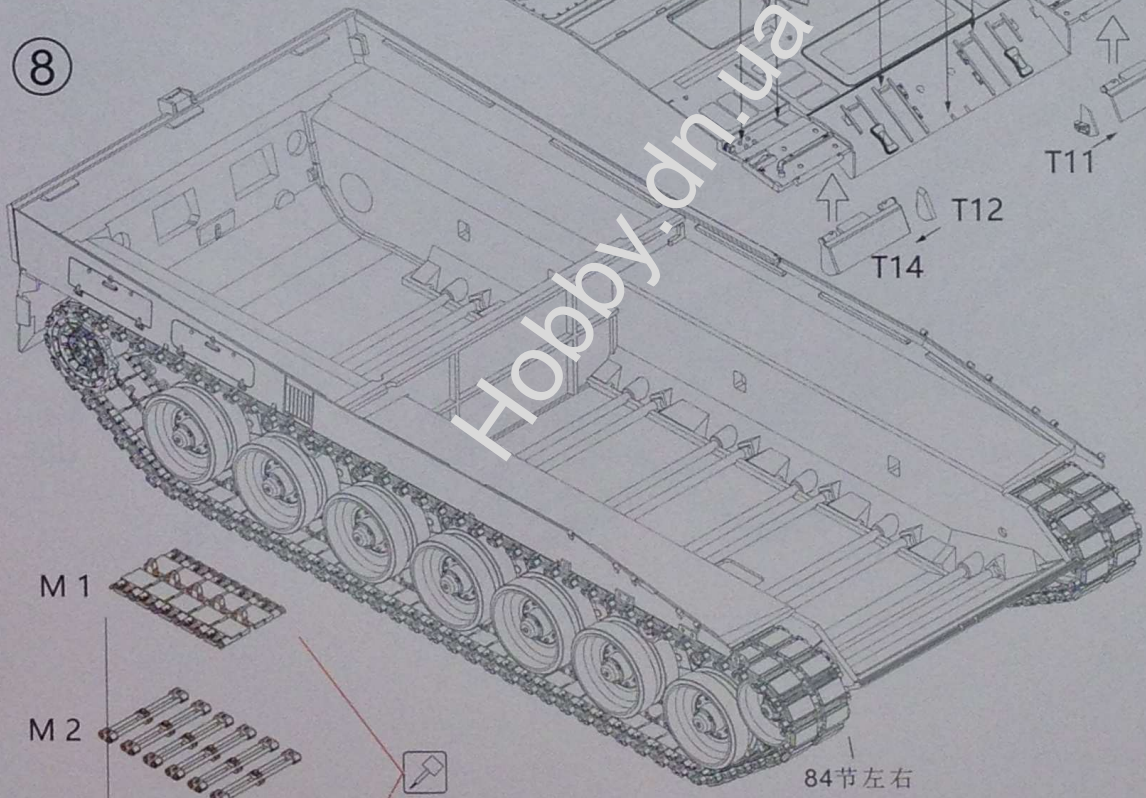




7



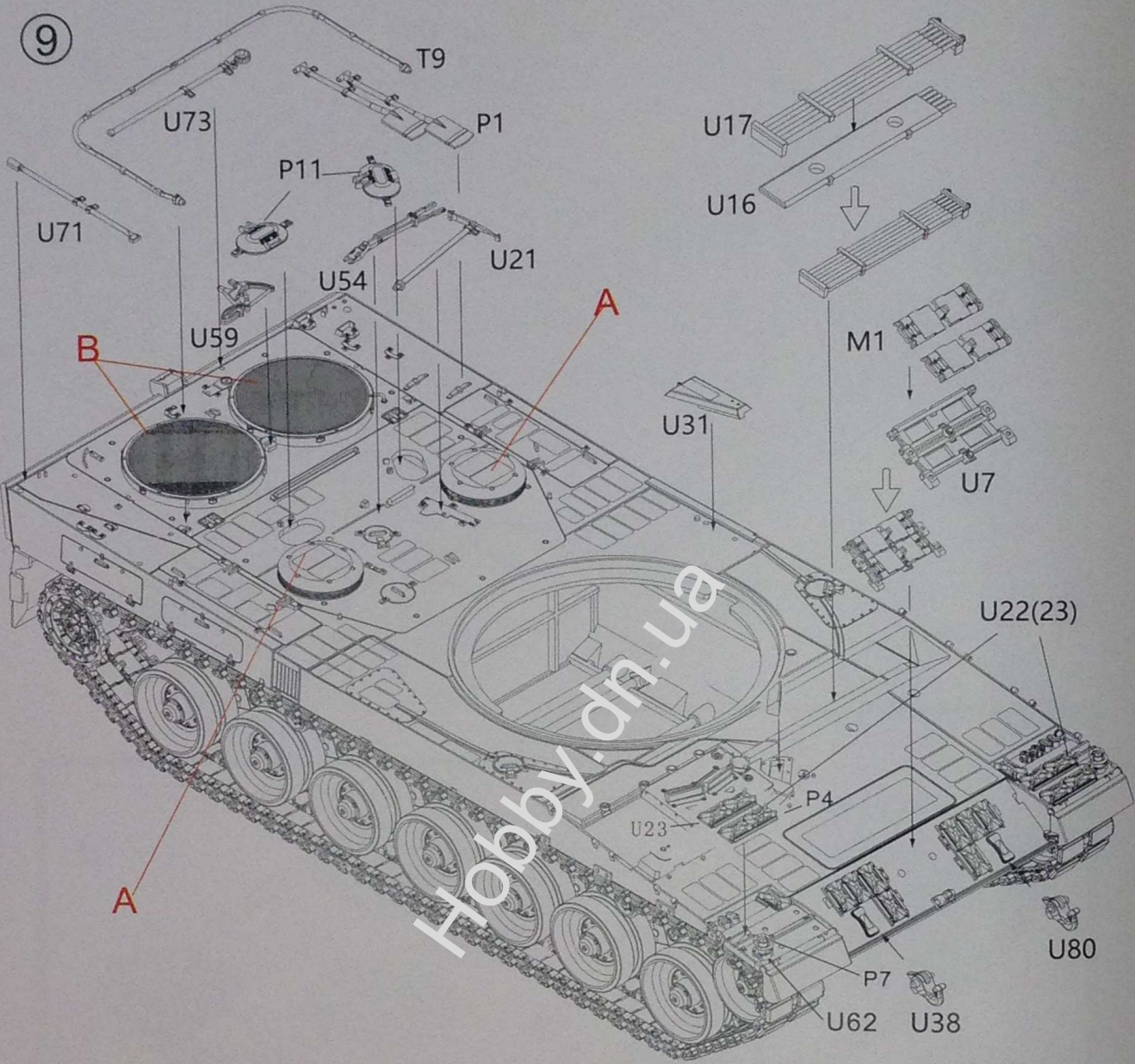
8



注意：履带部分为了保证牢固，需要在中间位置使用胶水！  
 注：トラック部分の堅さを確実にするために、あなたは中央位置で接着剤を使う必要があります！  
 Note: In order to ensure the firmness of the track part, you need to use glue in the middle position!

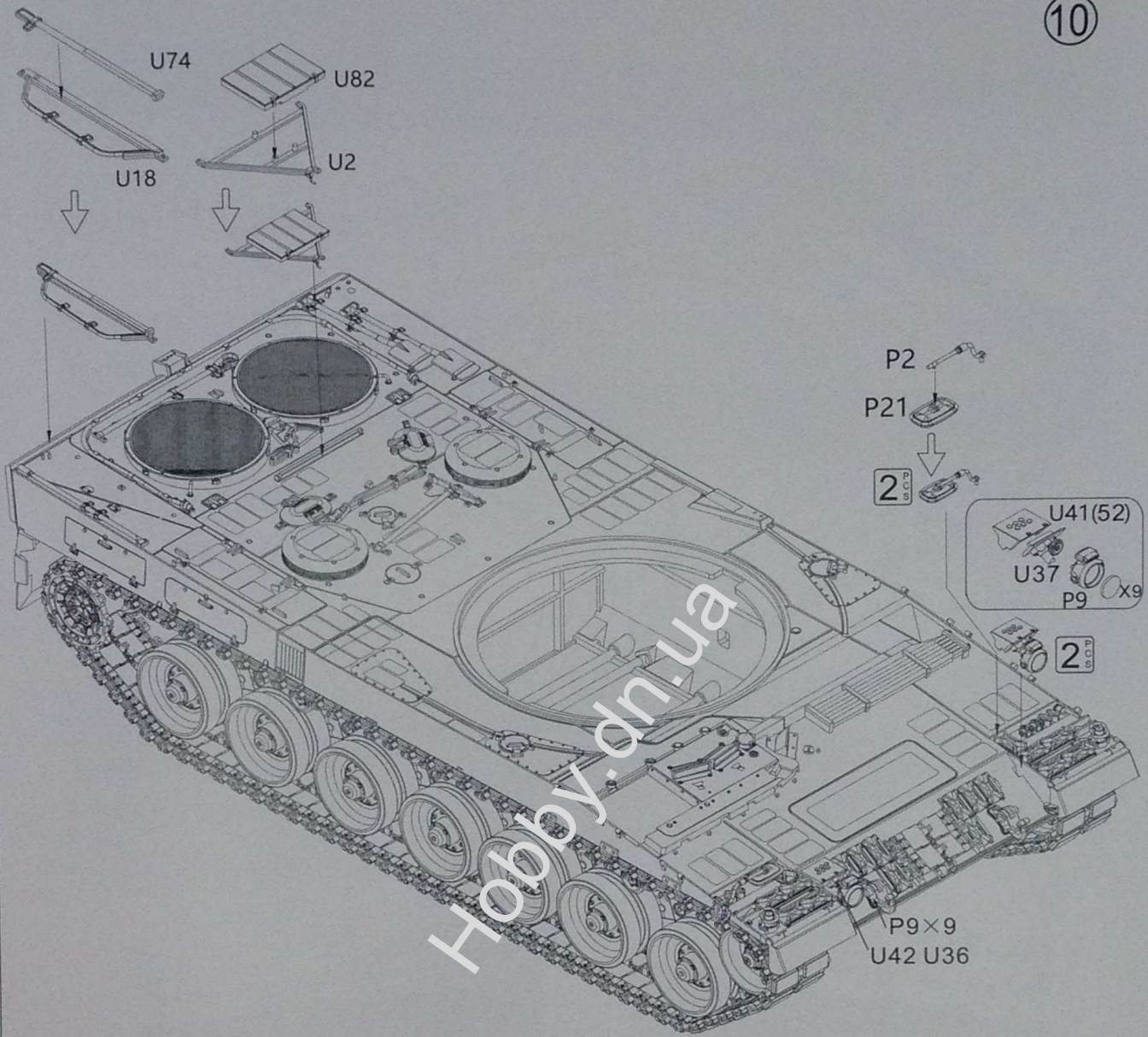


9



Hobby.dn.ua

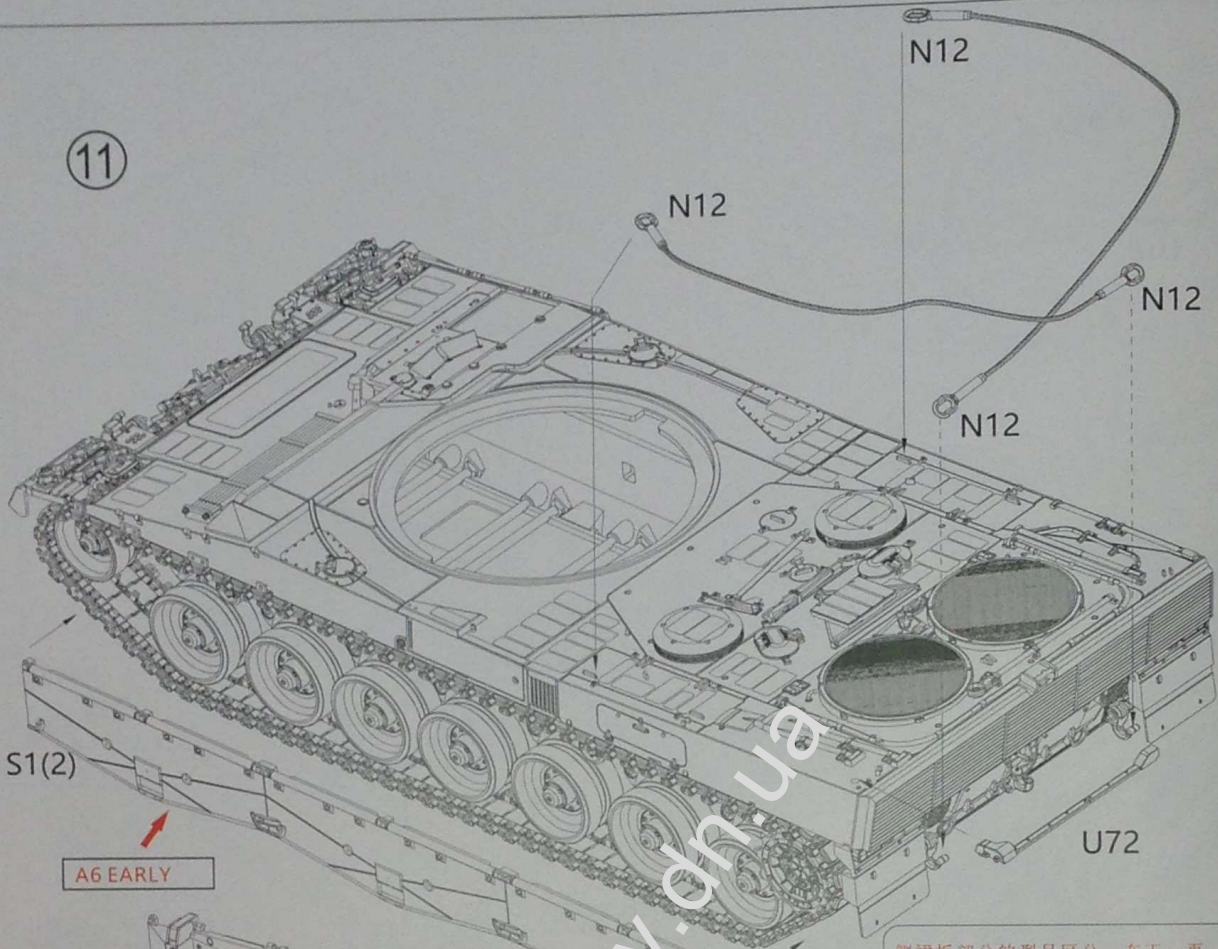




Hobby.dn.ua

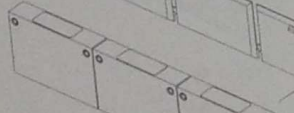


11



A6 EARLY

P25



T28(29)

T26(27)

S20(S19)U51(U50)

A5 & A6 LATE

12

A6 EARLY

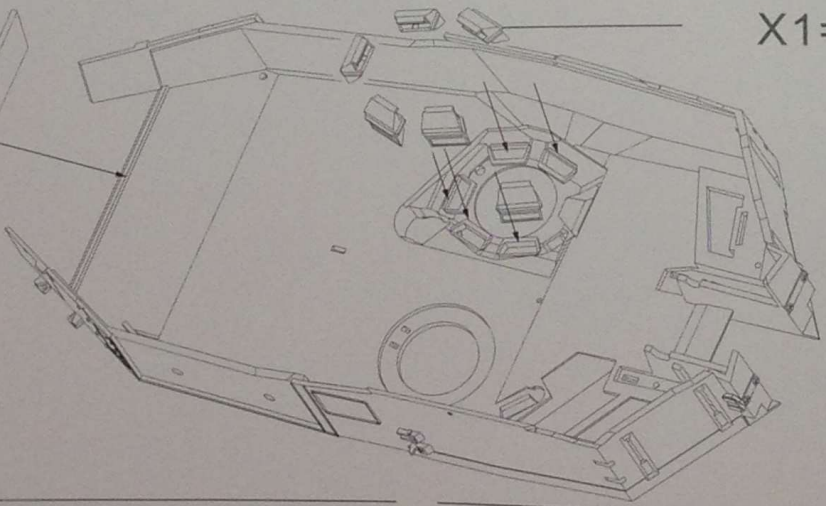
S30(31) T1(2)

A5

A6 LATE

X1=5PCS

S27

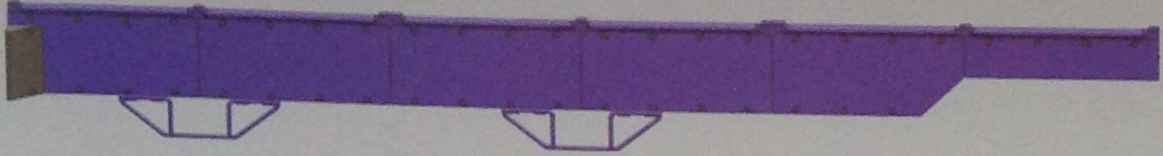


侧裙板部分的型号区分，在下一页  
The model of the side skirt part  
is distinguished, on the next page

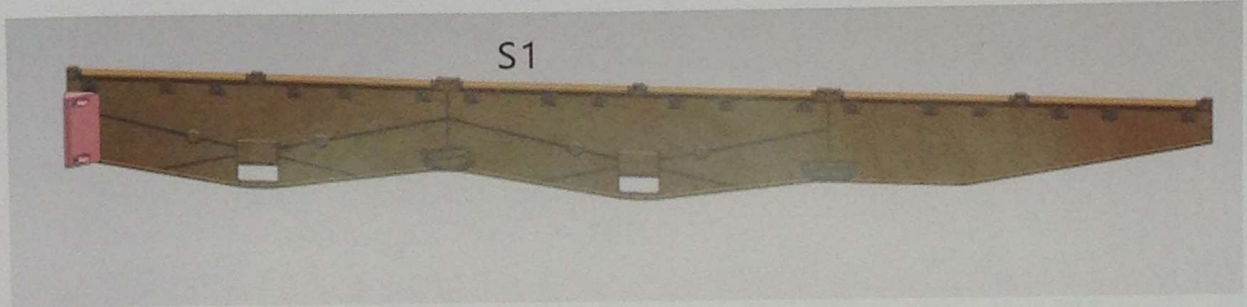
サイドスカート部分のモデルは、次の  
ページで見分けられます



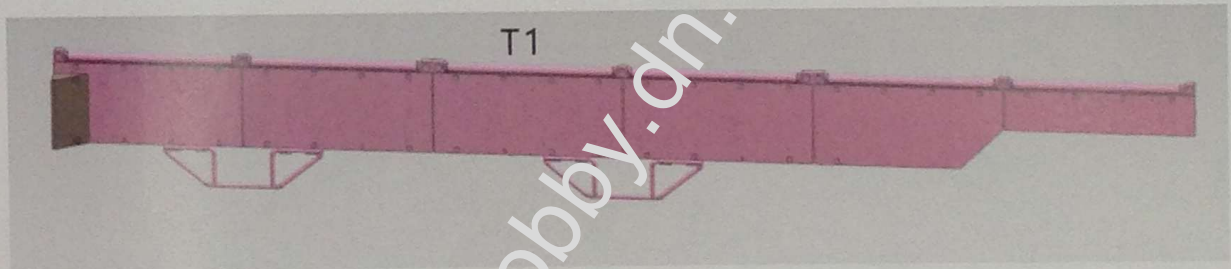
S30



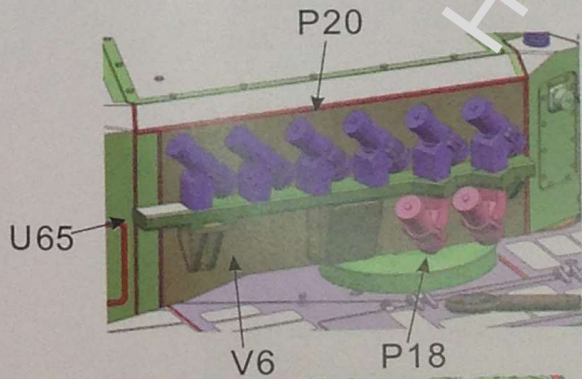
A5



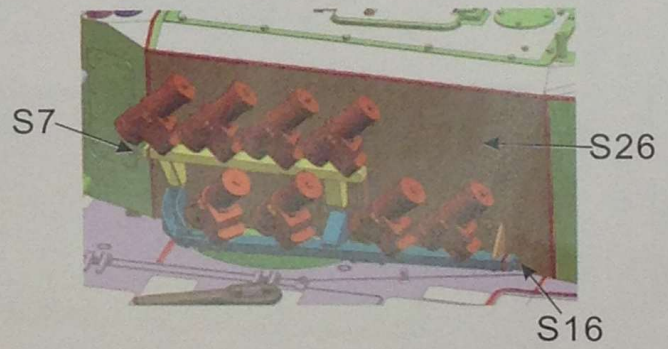
A6 EARLY



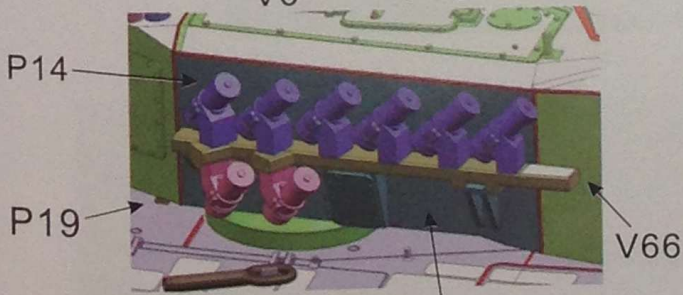
A6 LATE



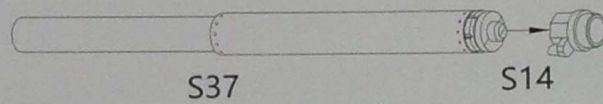
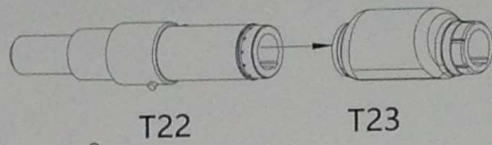
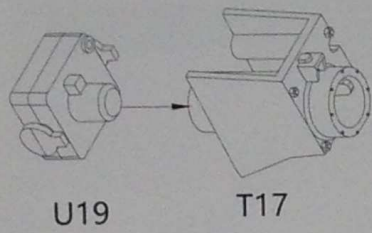
A6 LATE



A5&A6 EARLY

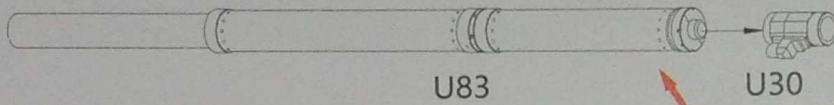




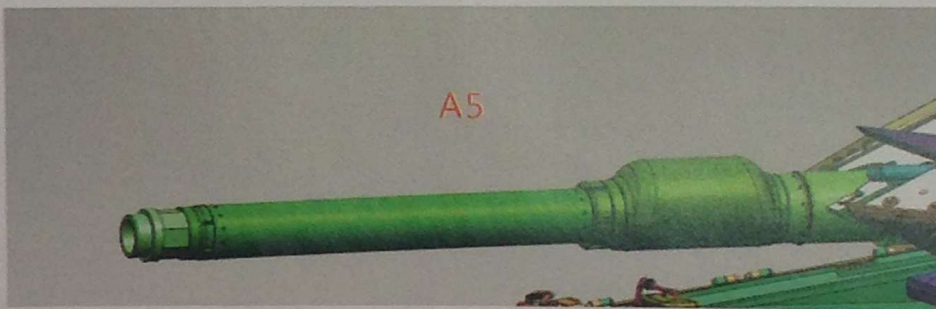
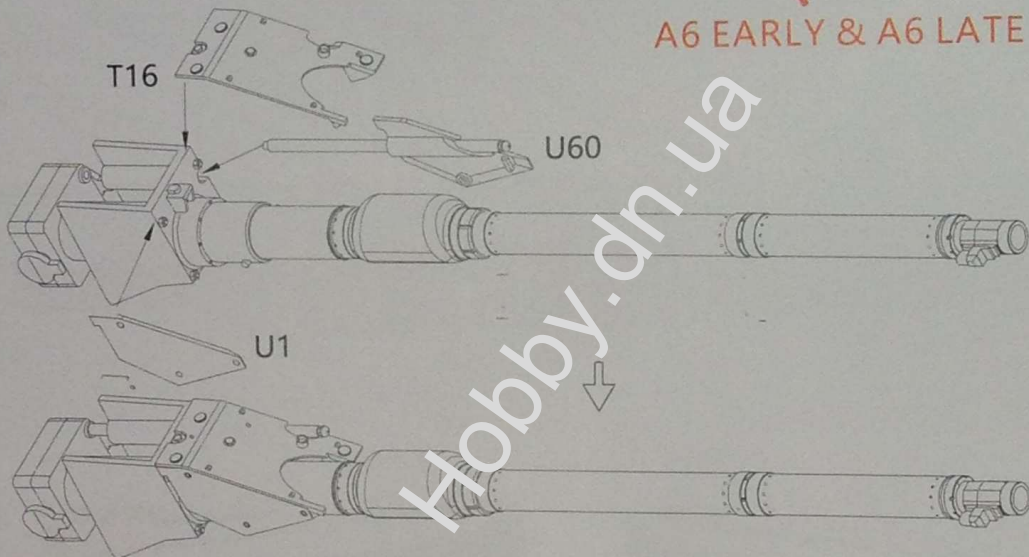


A5

14

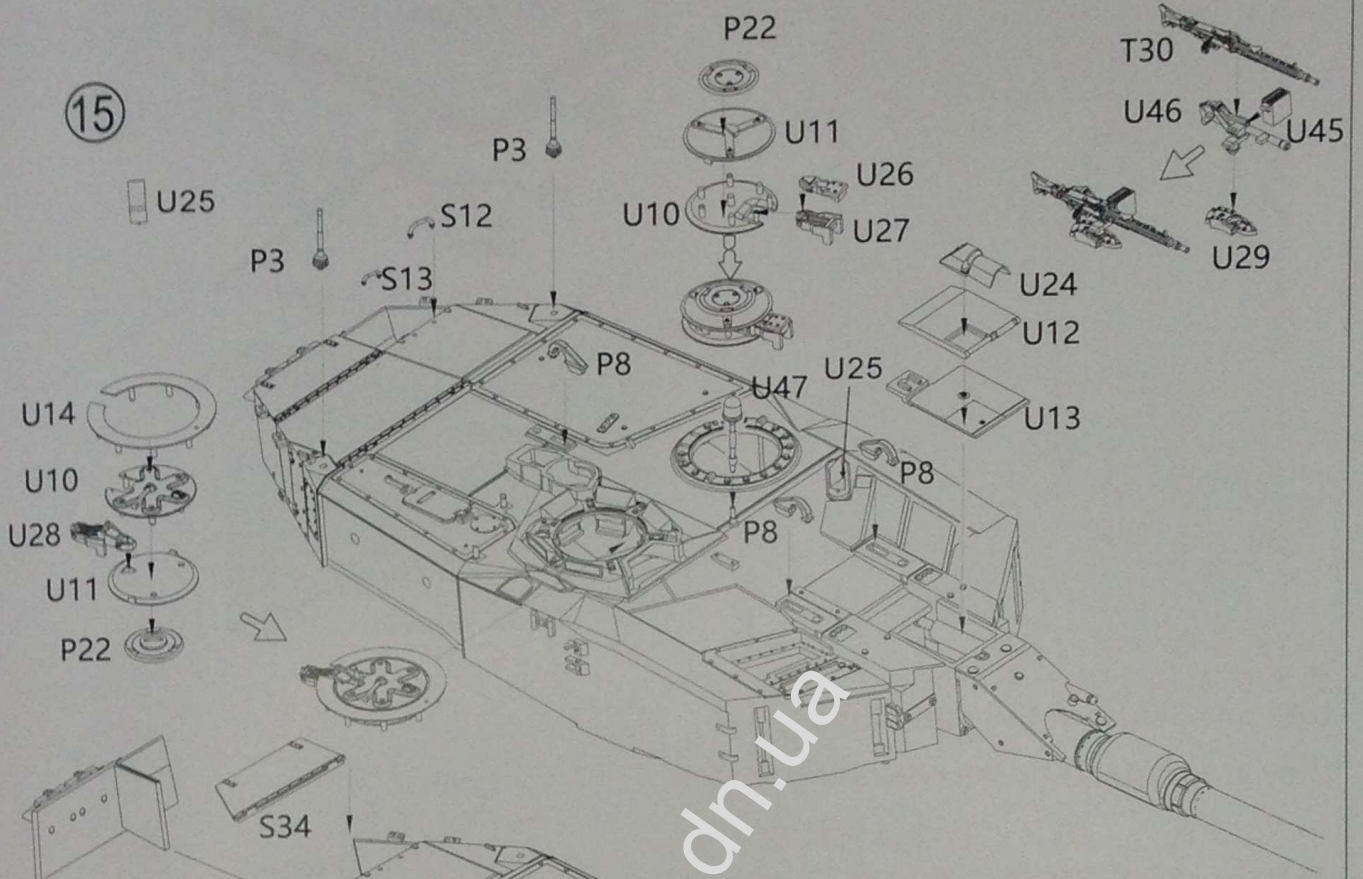


A6 EARLY & A6 LATE

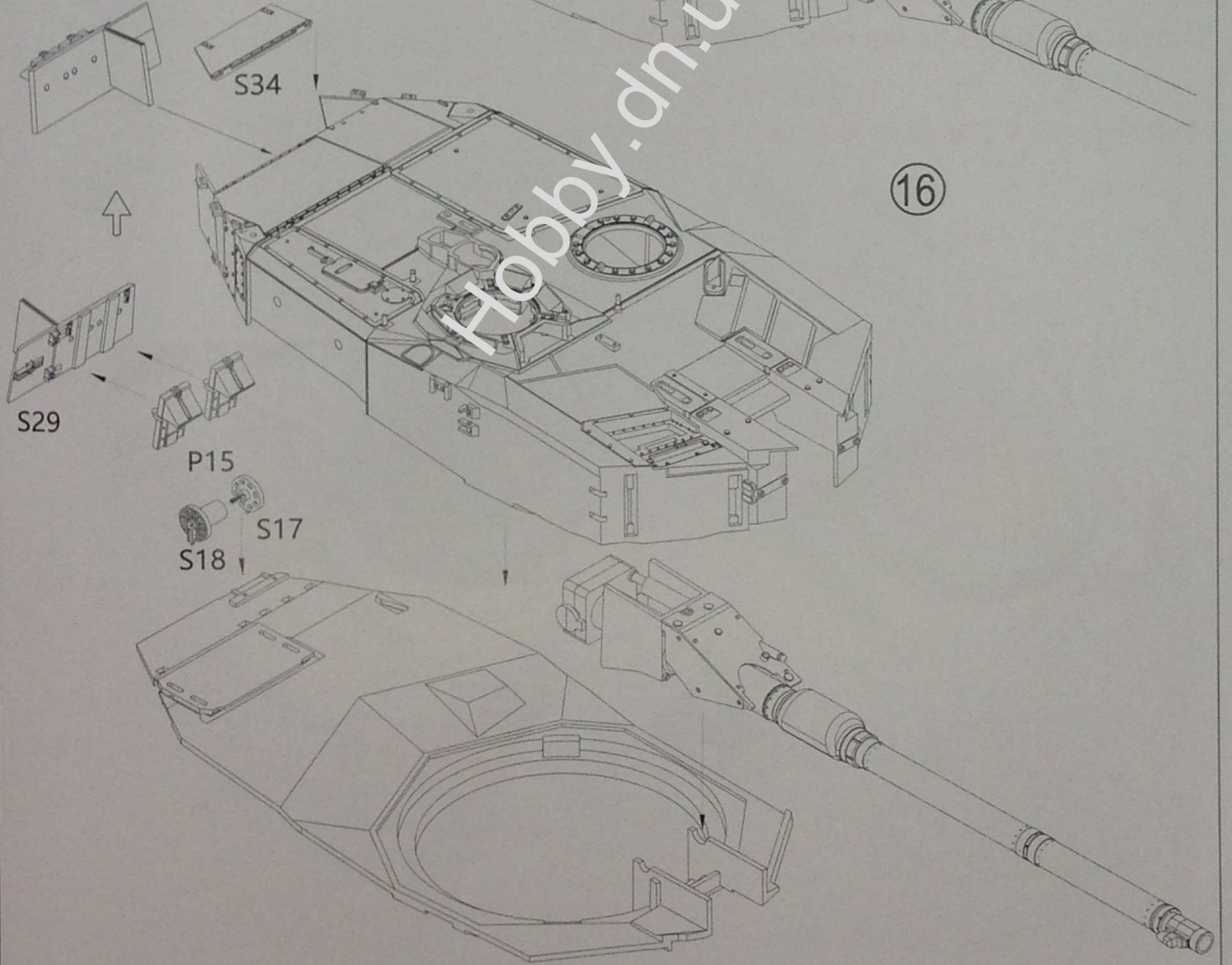




15



16

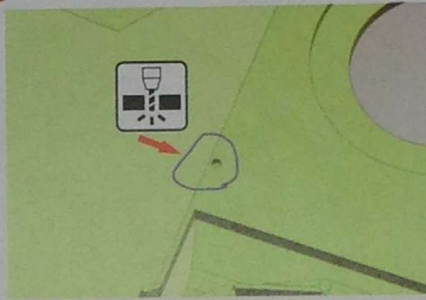




U47

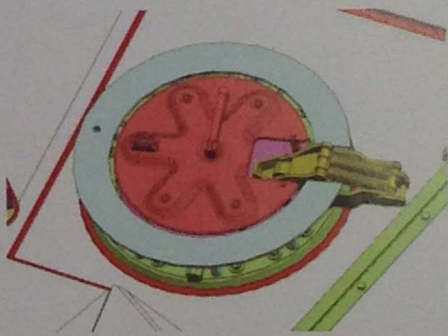


切除该零件 背部钻孔

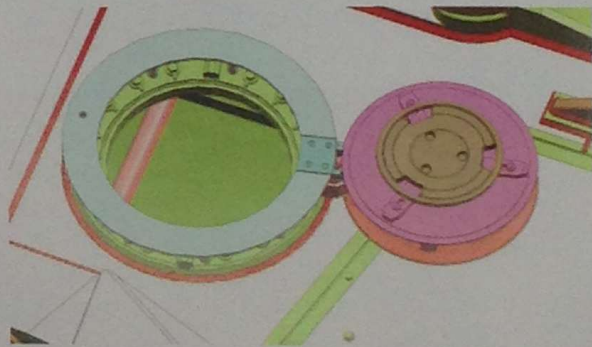


U47必须和S6同时存在，  
他们都是演习状态下的零件  
U47 must exist at the same time as S6,  
they are all parts under the exercise state.

U47はS6と に しなければならず、  
それらはすべて軍事演習状態下の部分です。



Disabled  
关闭状态

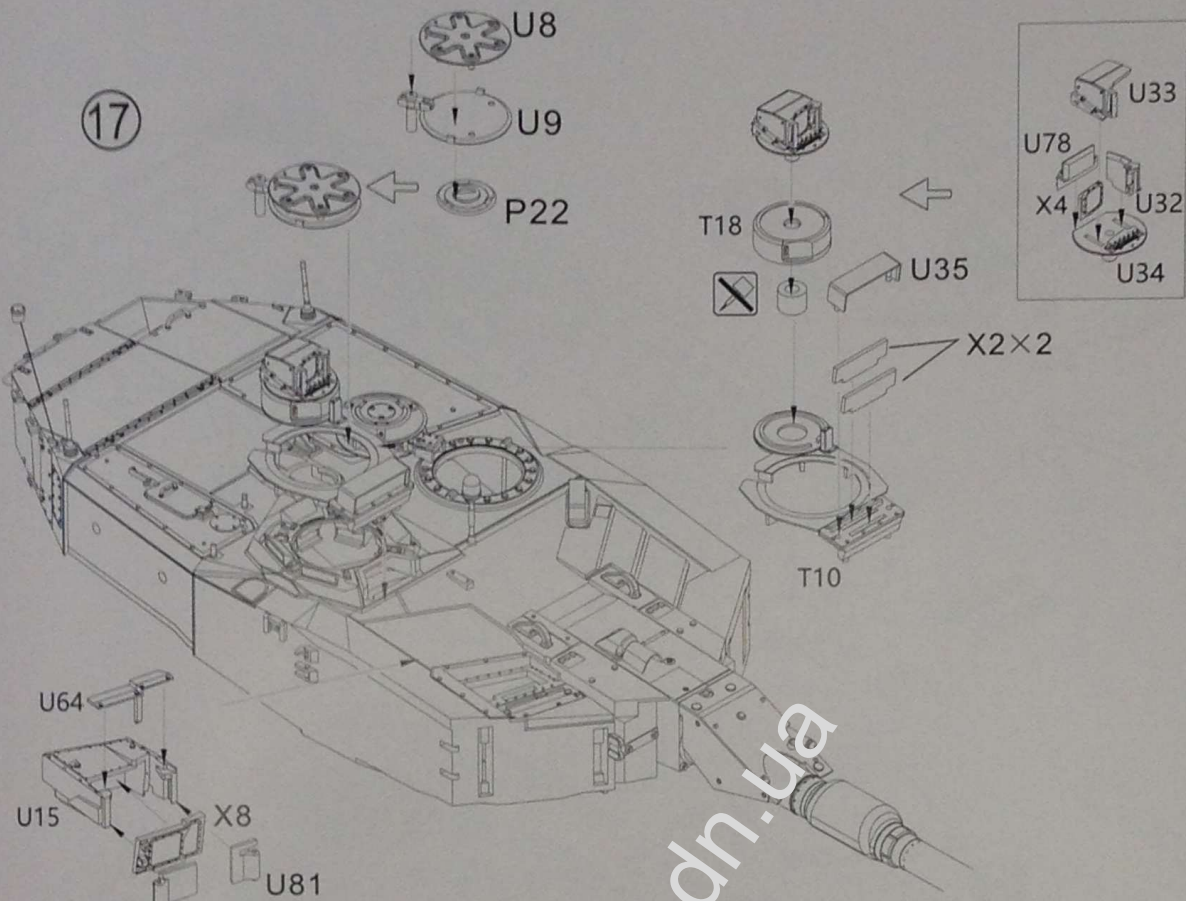


Open state  
打开状态

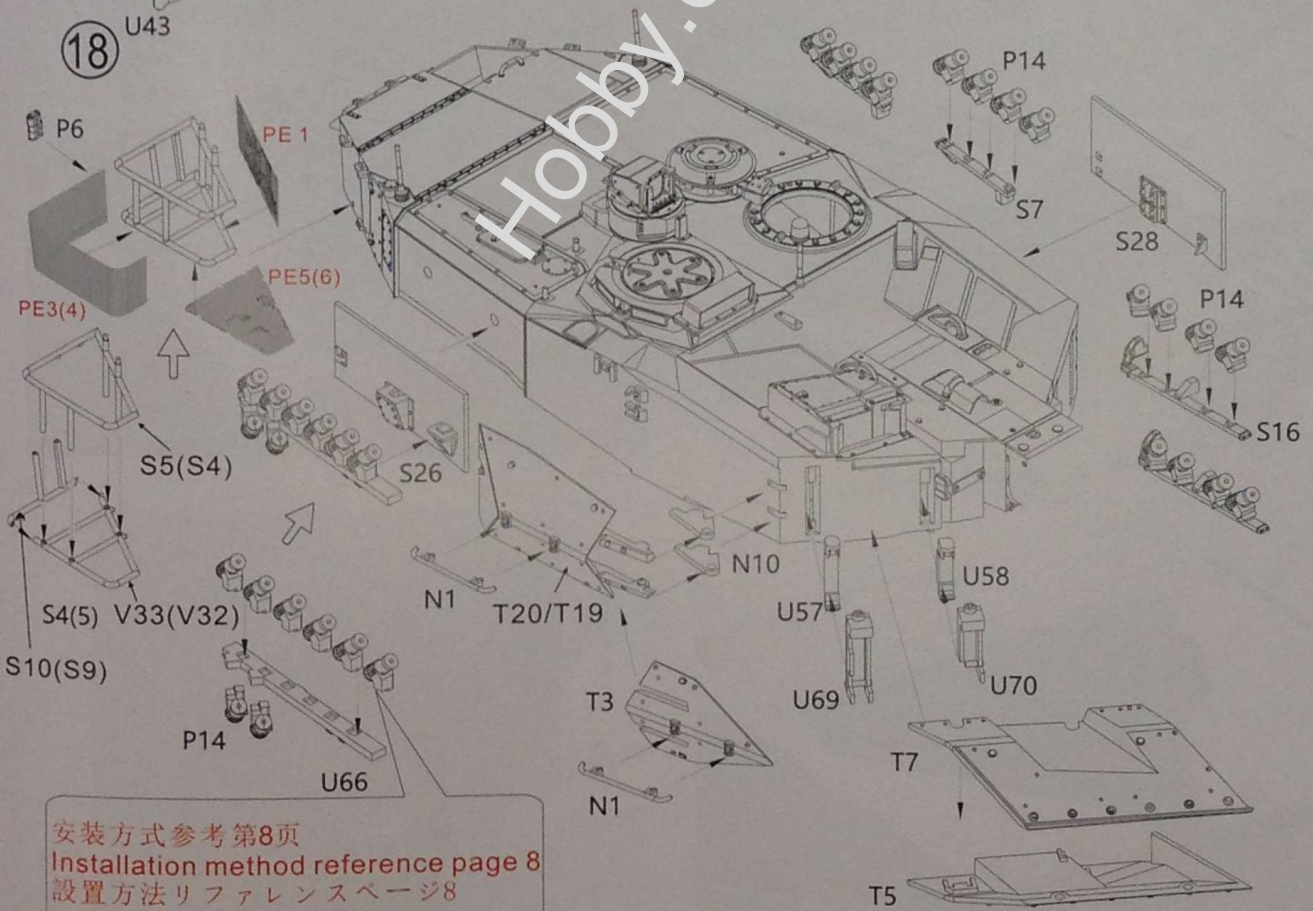




17



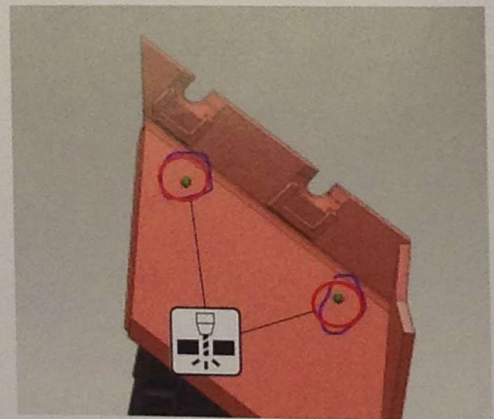
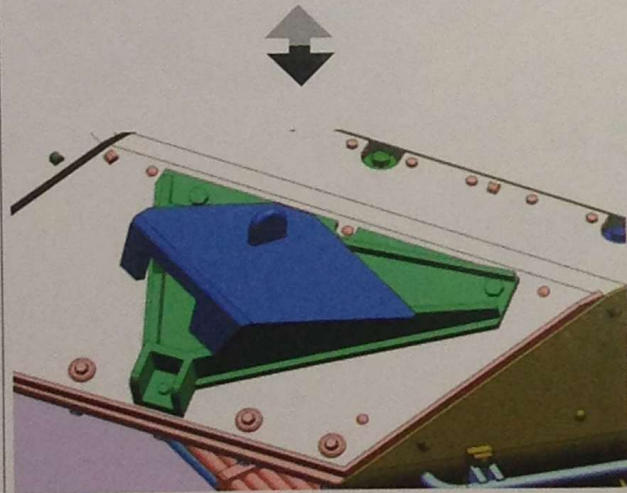
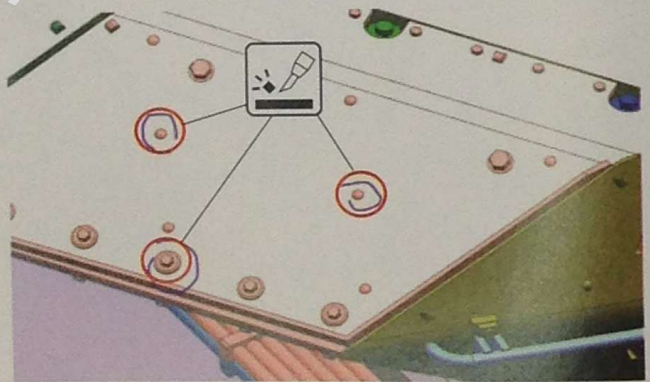
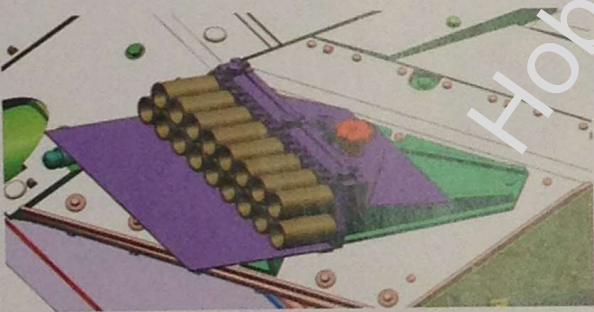
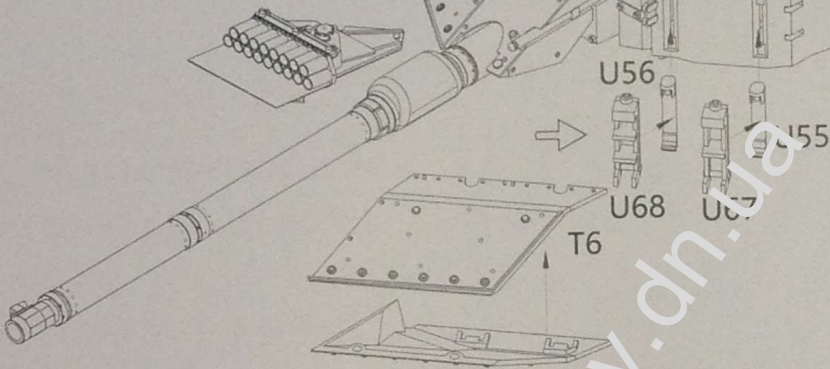
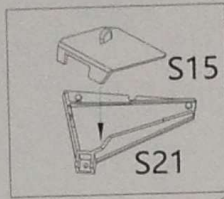
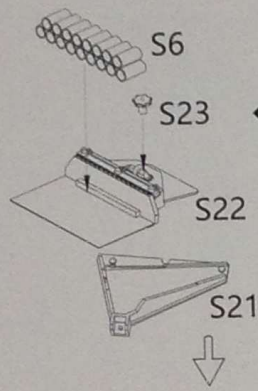
18



安装方式参考第8页  
 Installation method reference page 8  
 設置方法リファレンスページ8

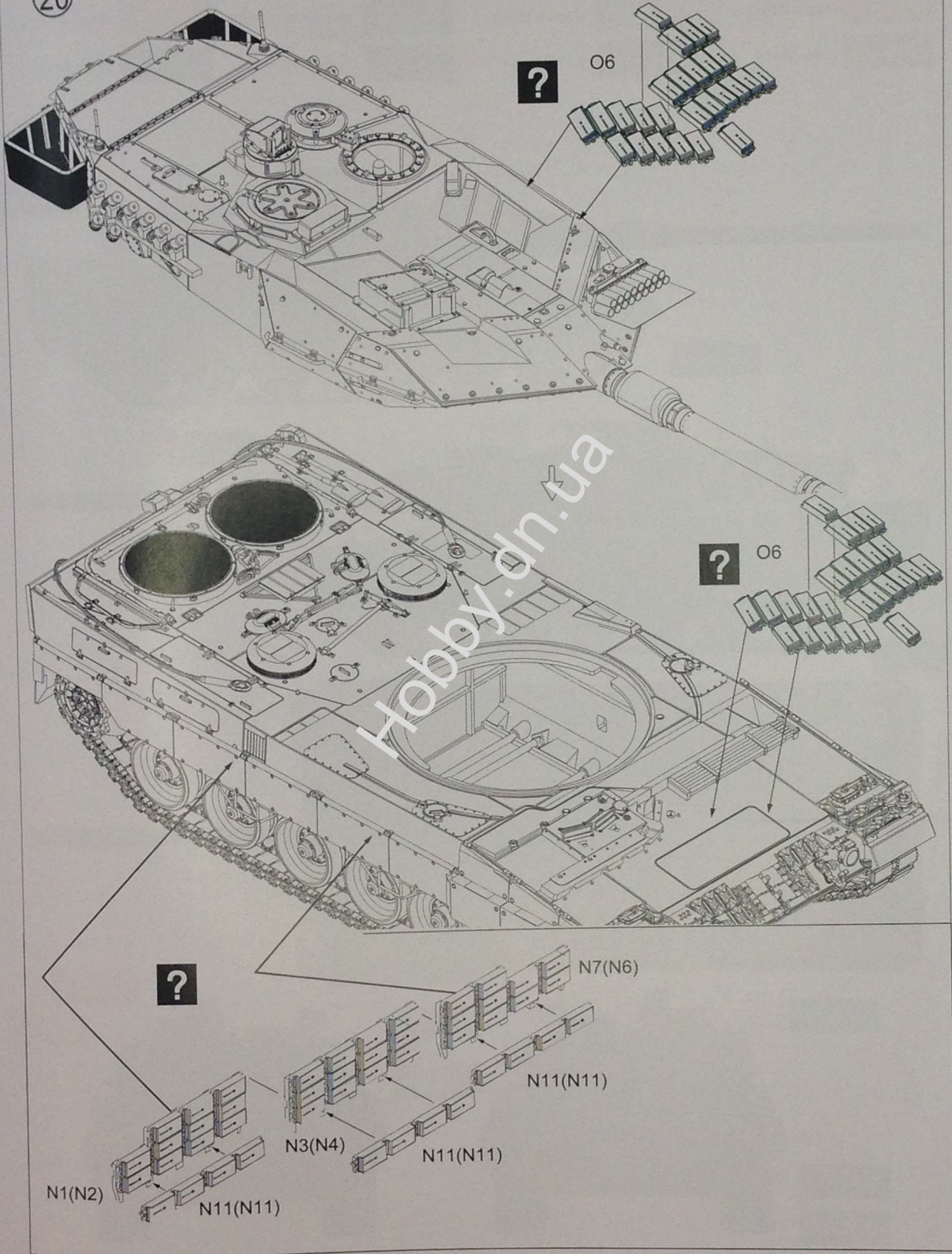


19





20



?

O6

?

O6

?

N7(N6)

N11(N11)

N3(N4)

N11(N11)

N1(N2)

N11(N11)



A.MIG-033 Rubber & Tires

A.MIG-093 Crystal Red

A.MIG-037 New Wood

A.MIG-035 Dark Tracks

A.MIG-094 Crystal Glass

A.MIG-085 Nato Brown

A.MIG-045 Gun Metal

A.MIG-096 Crystal Periscope Green

A.MIG-084 Nato Green

A.MIG-195 Silver

A.MIG-097 Crystal Orange

A.MIG-046 Matt Black

