



Bronco Models

Kit No.CB-35009

HUMBER SCOUT CAR MK. I

英製‘亨伯’偵測車MK. I



hobby.dn.ua

The Humber Scout Car entered service in 1943, probably too late to see service in the Tunisian campaign, but was then widely used in Italy and North-West Europe. As it was a Scout Car, it was used by many different units, including the Royal Armoured Corps, Armoured Guards battalions, as well as by the Royal Engineers, Royal Artillery and at the various Formation Headquarters. In some cases it seems that units 'tweaked' the establishment to put the larger Humbers in the HQs, with their Dingos being used at Troop level. Users included Liaison Officers, Intelligence Officers, Signals Officers, Technical Adjutants, and Commanding Officers as their 'run-around' when not mounted in their tank. It was frequently used in Formation HQs as an un-allocated 'pool' vehicle. It was also used by Britain's allies, including the Canadians and Poles.

It has already been noted that production was stopped in 1945, as the war in Europe ended. A decision had been made to continue to use the smaller but generally more capable Dingo as the Scout Car for the post-war army, and thus most of the Humber Scout cars were scrapped or sold off. They did continue to serve in Malaya until the early 1950s, being used by Brigade HQs and Armoured Car regiments, some converted to mount twin MGs with a spotlight between, for anti-ambush purposes. They were used by the French, Belgian, Dutch and Danish armies, the French apparently using them in Indo-China in the war with the Viet Minh. A few surviving examples can be found in museums, and a small number of beautifully restored examples survive to grace military vehicle rallies.

'亨伯'偵測車正式於1943年投入服務，雖然太遲未能參與北非戰役，但卻廣泛使用於稍後之義大利及西歐戰線。由於此車性能超卓為英軍各不同部隊如裝甲兵、砲兵、工程兵等爭相採用。除英國本身外當時還供應其他盟國如加拿大及波蘭等部隊使用。

1945年中歐戰結束後，'亨伯'偵測車也正式停止生產。隨後此車部份遭解體或出售至丹麥、法國、荷蘭、比利時及其他英聯邦國家如馬來西亞等部隊使用。在上世紀50年代末中南半島之戰中，此車也曾替法軍立下不少汗馬功勞。直至現在在各國之軍事博物館中還可見到此車之展品保存得非常好狀態。

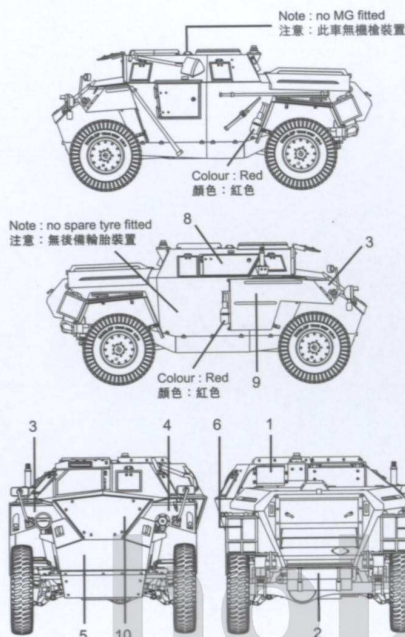
ILLUSTRATION 圖示說明：

CORRECT METHOD FOR APPLYING DECALS 正確使用水貼紙方法：

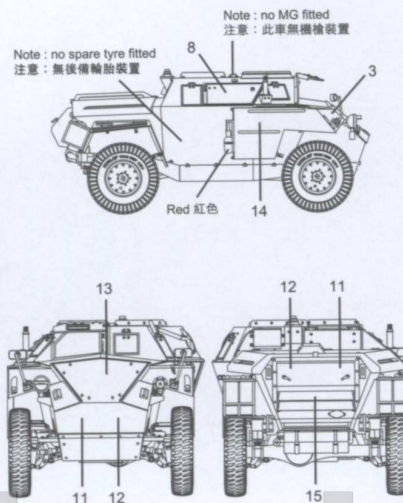
1. Clean model parts surface with wet cloth.
將需要貼上水貼之部位表面擦乾淨。
2. Cut out the decal parts and dip them in cold water for 15~20 seconds.
將所需之貼紙剪下泡在清水裏約15至20秒。
3. Place it on correct position of the model kit.
將濕透之貼紙取出置放於正確之位置旁。
4. Slide off the decal from the base paper on to the model kit surface with a cotton stick.
用棉花棒輕推貼紙表面使其從底紙滑出至模型表面之正確位置。
5. When decal get dry then complete.
待其自然乾透後即完成。

COLOR SUGGESTION 塗裝指引：

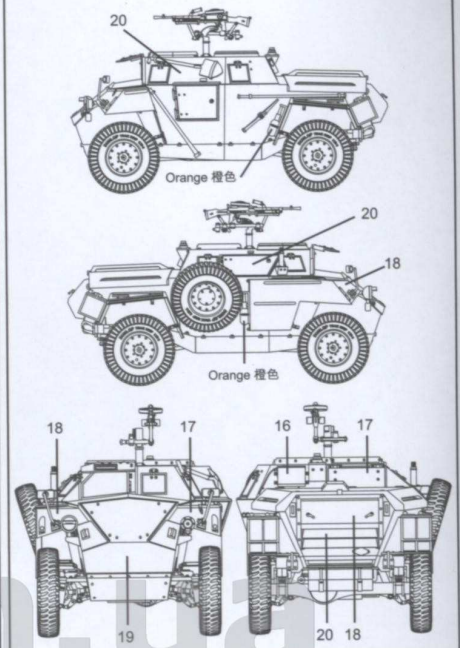
Option 1 - Guard Armoured Division Germany 1945
Camouflage Scheme - Overall SCC British No.15 Olivéd Drab
1945年在德國作戰之皇家禁衛軍裝甲師屬下使用車輛
全車橄欖褐



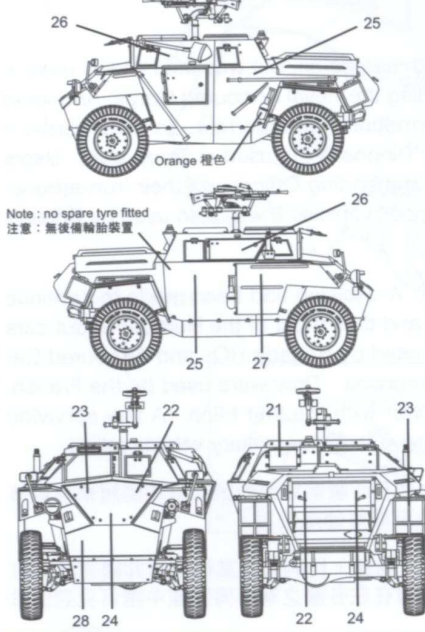
Option 2 - HSC of AFV Driving & Maintenance School, Lulworth 1943
Camouflage Scheme - Overall Colour SCC2 Brown
1943於英格蘭諾和夫裝甲駕駛學校訓練用車輛
全車塗啡色



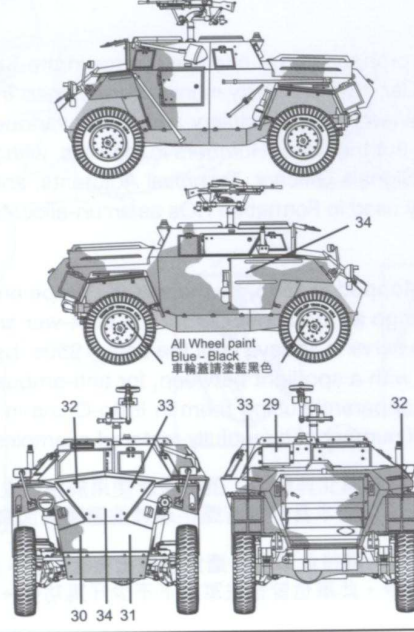
Option 3 - HSC of Garde Hussar Regiment Danish Army 1950
Camouflage Scheme - Overall Dark Green
1950年丹麥陸軍使用車輛
全車深綠色



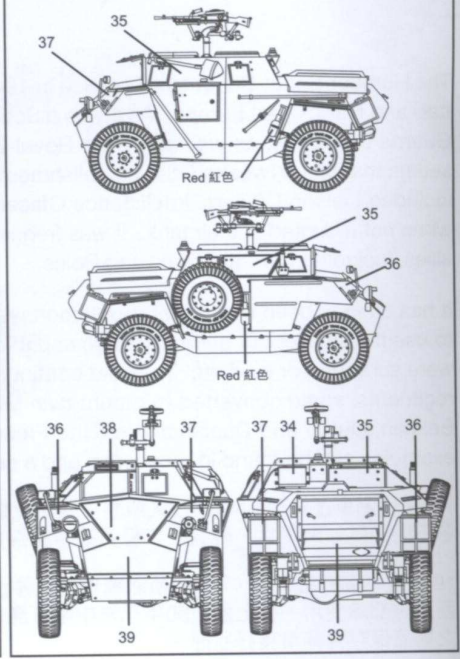
Option 4 - RHQ 3RTR, 29th Armoured Brigade, 11th Armoured
Division Germany 1945.
Camouflage Scheme - Overall British SCC15 Olive Drab
1945年在德國作戰之英軍第11裝甲師第29裝甲旅屬下車輛
全車英式橄欖褐15號



Option 5 - 64th Anti-Tank Regt RA, 78th Infantry Division Italy 1944
Camouflage Scheme - Overall Colour SCC5 Light Mud with
SCC14 Blue - Black camouflage pattern and White undershading
1944年在意大利作戰之英軍第78步兵師64反坦克旅屬下車輛
全車塗沙灰色附加黑藍斑狀迷彩



Option 6 - C Sqn 4th Hussars, Malaya 1950
Camouflage Scheme - Overall BSC 224 Deep Bronze Green
1950年駐馬來亞之英軍第4輕騎兵師C中隊所屬車
全車塗深銅綠色



The shadow area should
paint Flat White
車底部請塗白色

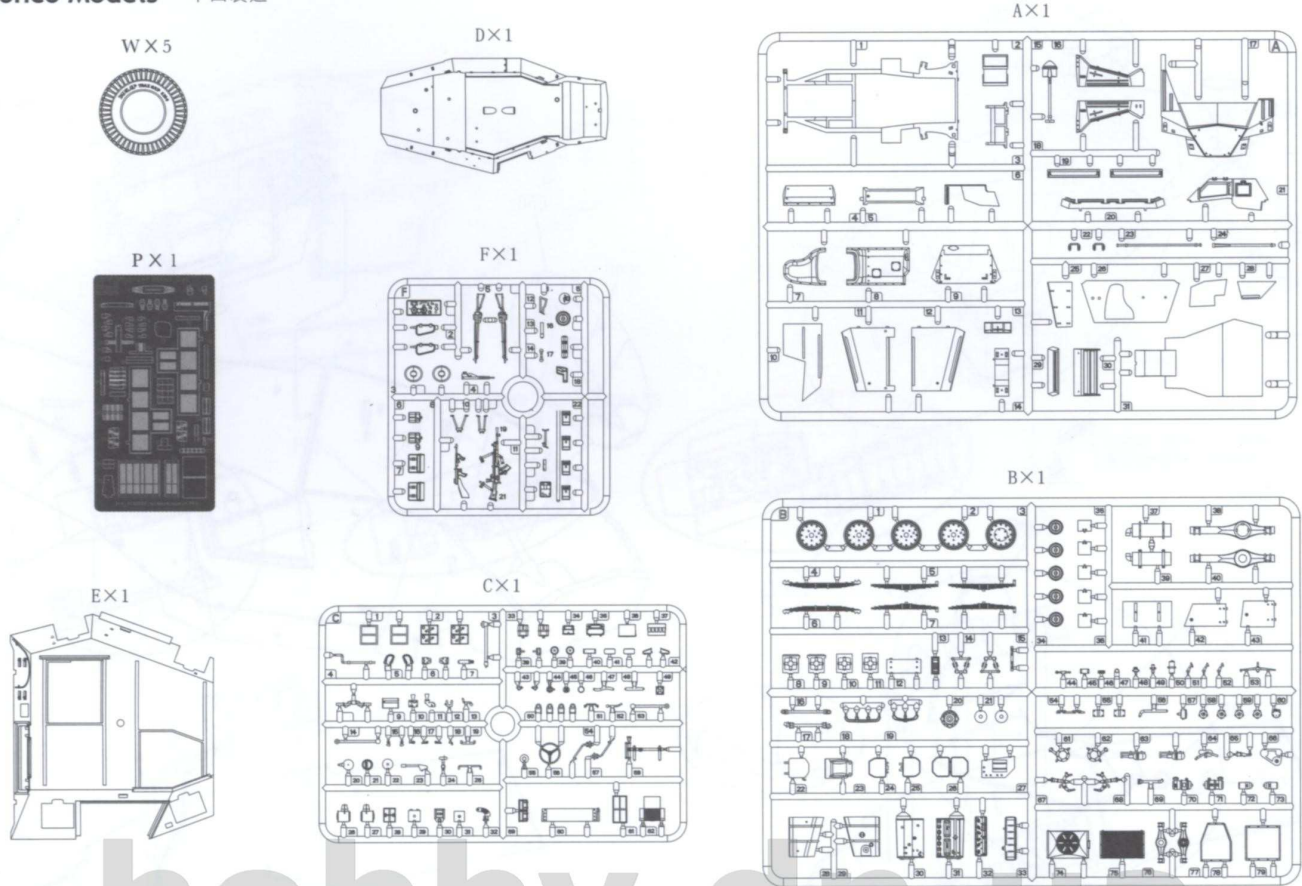
Camouflage Colour: Blue - Black
迷彩顏色：藍黑色



Bronco Models

Made in China
中國製造

PARTS LIST 零件展示表 :



ICON INSTRUCTION 圖標說明 :



Open Hole
鑽孔



Remove
切除



2 Sets needed
同樣的製作二組



Bend
曲折



Optional
可以選擇採用



Apply Decal
貼上水貼紙



Instant Glue For Metal
瞬間接著劑, 金屬用



Fill Hole
把孔填平



Do not cement
不用粘合

COLOR SUGGESTION 塗裝指引 :

Gunze Sangyo	Hobby Color	Gunze Sangyo	Hobby Color	Humbrol	Tamiya
Khaki Green	卡其綠	H-80	C-54	/	/
Red	紅色	H-3	C-3	19	X-7
Silver	銀	H-8	J-8	11	/
Flat White	消光白	H-11	C-62	34	XF-2
British Olive Drab No.15	英式橄欖褐	H-52	C-12	163	XF-58
Dark Green	深綠	H-36	C-17	/	XF-61
Tire Black	輪胎黑	H-77	C-137	85	XF-1
Steel	黑鐵	H-18	C-28	53	/
Semi-Gloss Black	半光黑色	/	C-82	/	/
Burnt Iron	燒鐵色	H-76	C-61	/	/
Wood Brown	木啡色	H-37	C-43	/	/
Field Green	田野綠	/	/	69 70% + 33 30%	/
Flat Black	消光黑	H-12	C-33	33	XF-1
Flesh	肌肉色	H-44	C-112	61	XF-15
Orange	橙色	H-14	C-59	18	X-6
Blue-Black	藍黑色	H-45 50% + H-12 50%	C-20 50% + C-33 50%	21 50% + 25 50%	XF-1 50% + XF-8 50%
Light-Mud(Sandy-Grey)	沙灰色	/	/	63 50% + 64 50%	XF-59 50% + XF-66 50%
Deep Bronze Green	深銅綠色	/	/	75 90% + 33 10%	/

READ BEFORE ASSEMBLING

- Carefully Study instruction before assembling. 組裝前請閱讀清楚製作指引。
- Keep plastic model glue and tools away from children. 膠水、油漆及工具勿讓小孩接觸。
- Do not use cement or paint near open flame or sparks. 膠水及油漆勿接觸火種。
- Do not work in closed room. 勿在密封地方製作模型。

ILLUSTRATION 圖示說明：

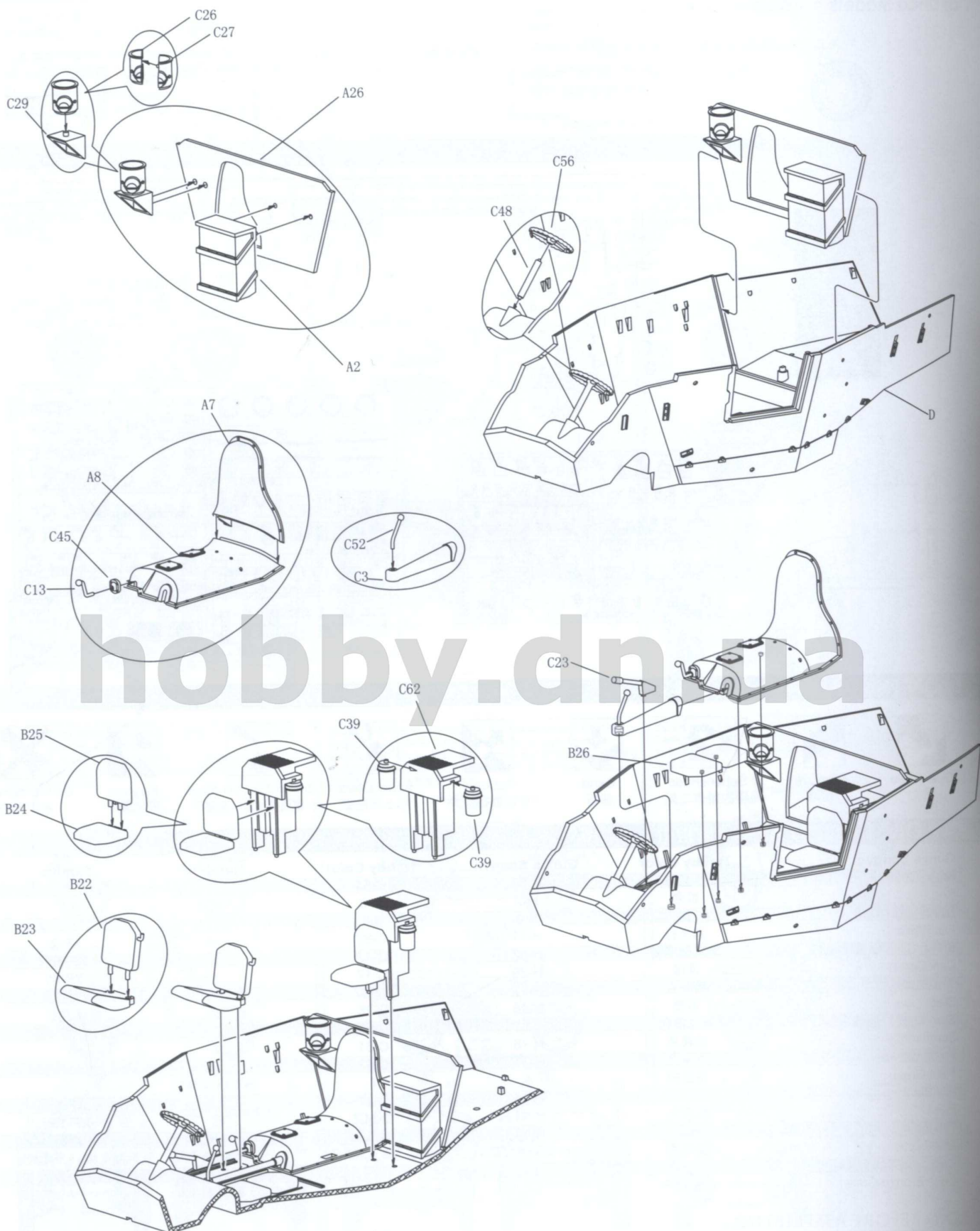
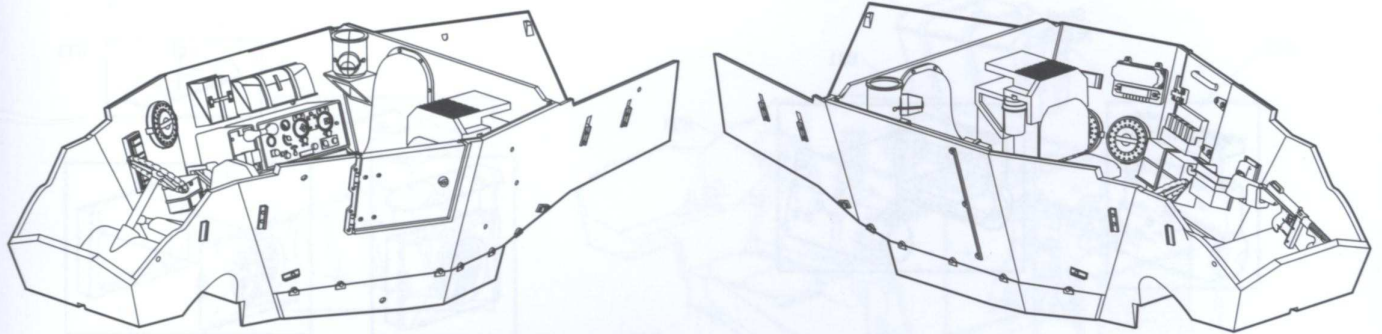


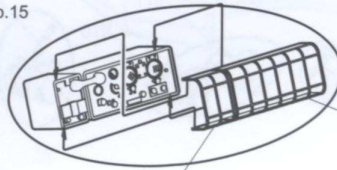
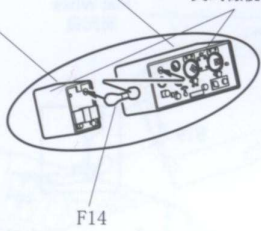
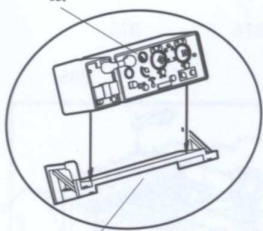
ILLUSTRATION 圖示說明：



Silver
銀

F1 British Olive Brad no.15
英式橄欖褐

Instant Glue For Metal
瞬間接著劑，金屬用



C60

F21

F14

P34

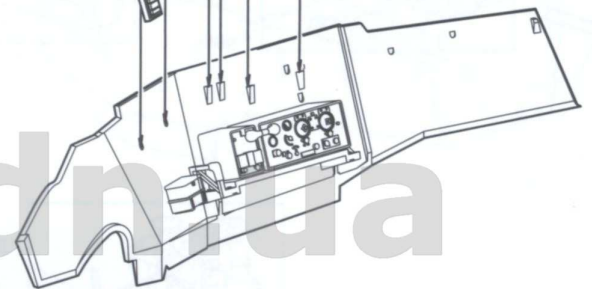
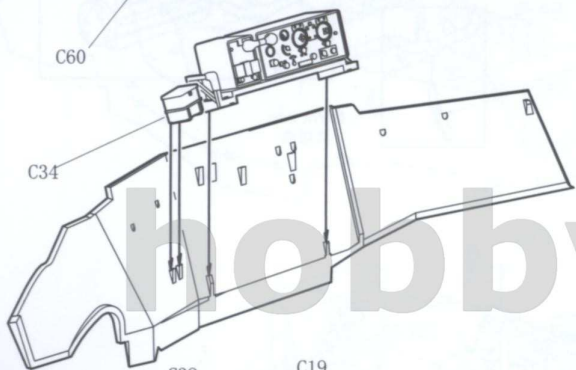
P36

C28

A13

B34

B13



hobby.dn.ua

Wood Brown
木啡色

Steel
黑鐵色

B54

B43

C19

C37

C12

F20

F9

C40

C35

B34

C61

F15

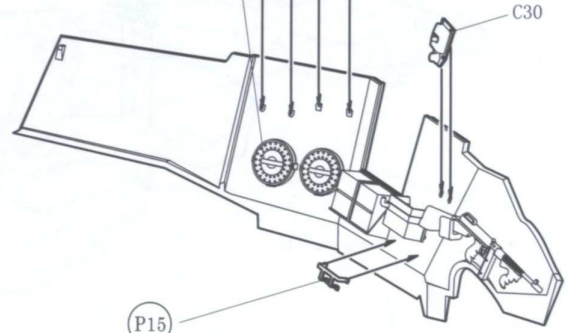
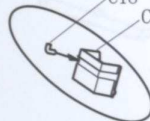
C30

P1

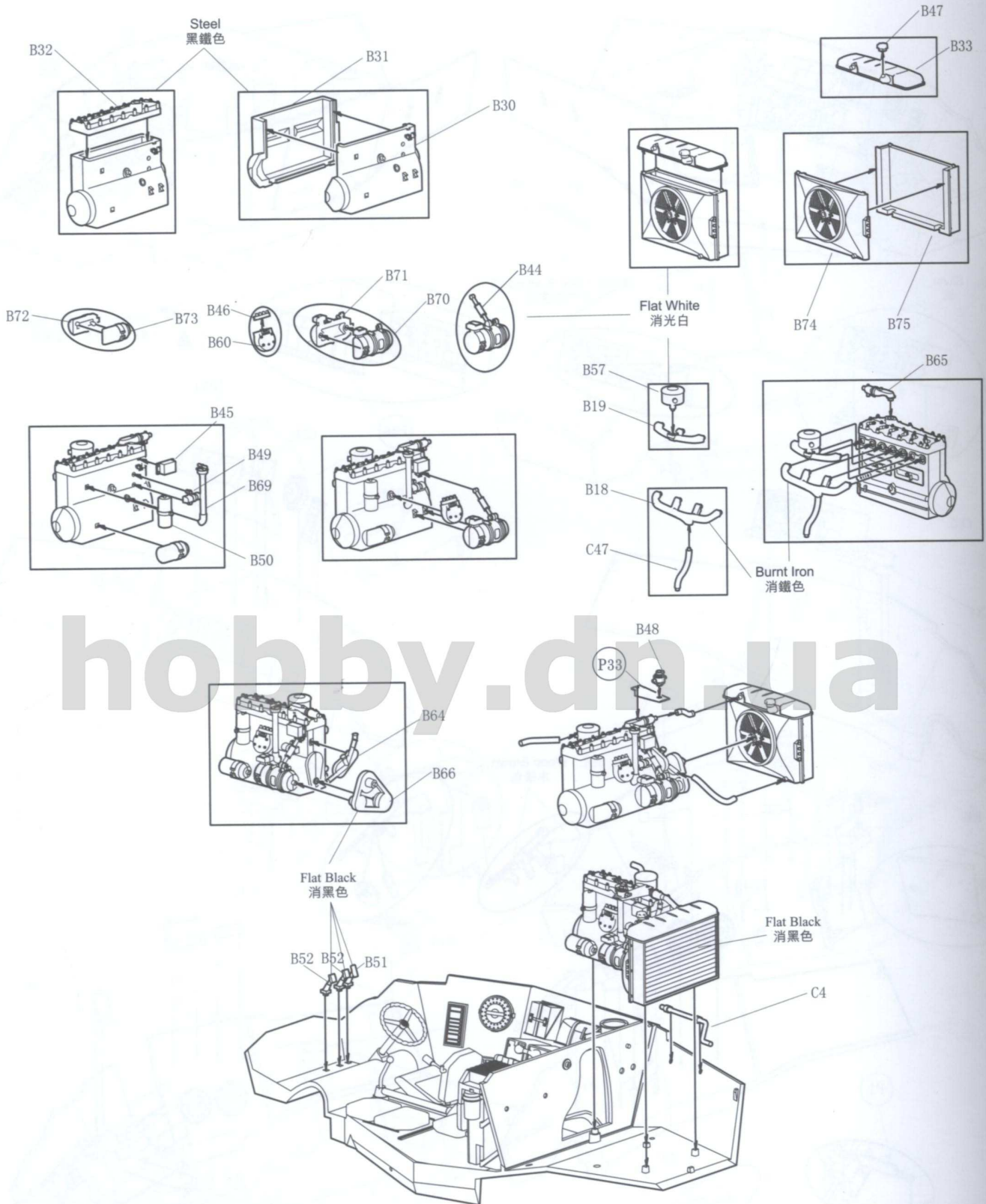
C18

C9

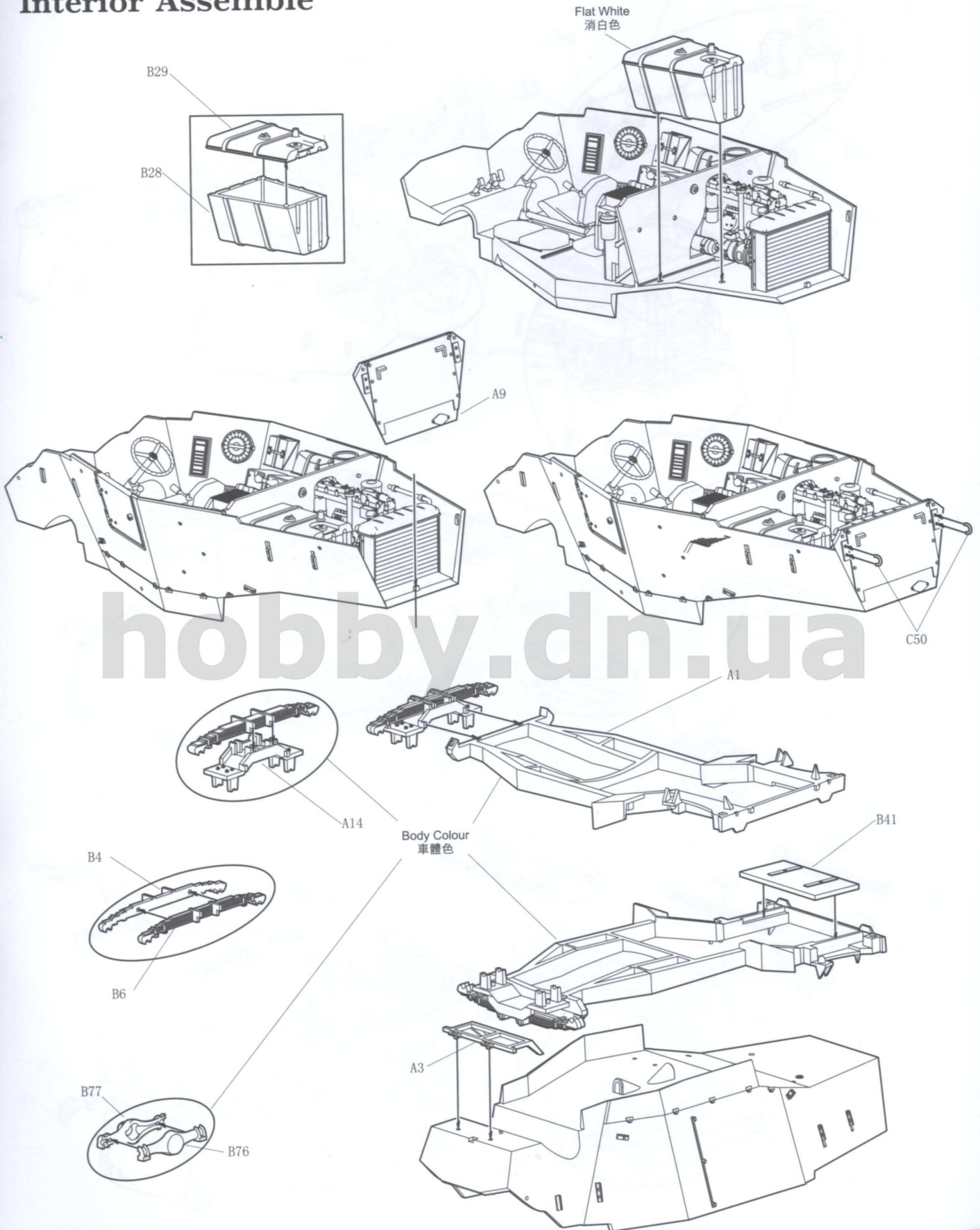
P15



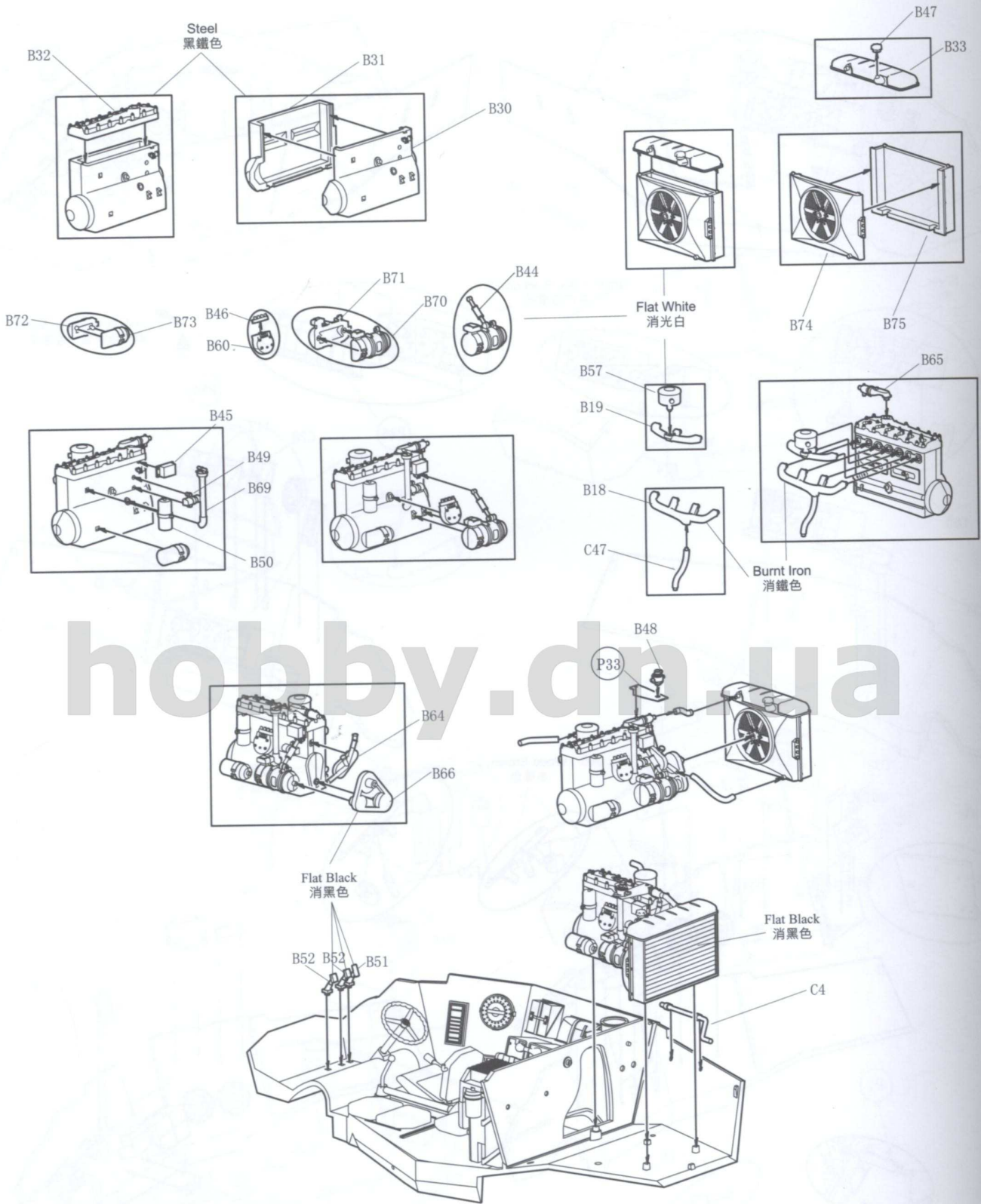
Engine Assemble



Interior Assemble



Engine Assemble



Interior Assemble

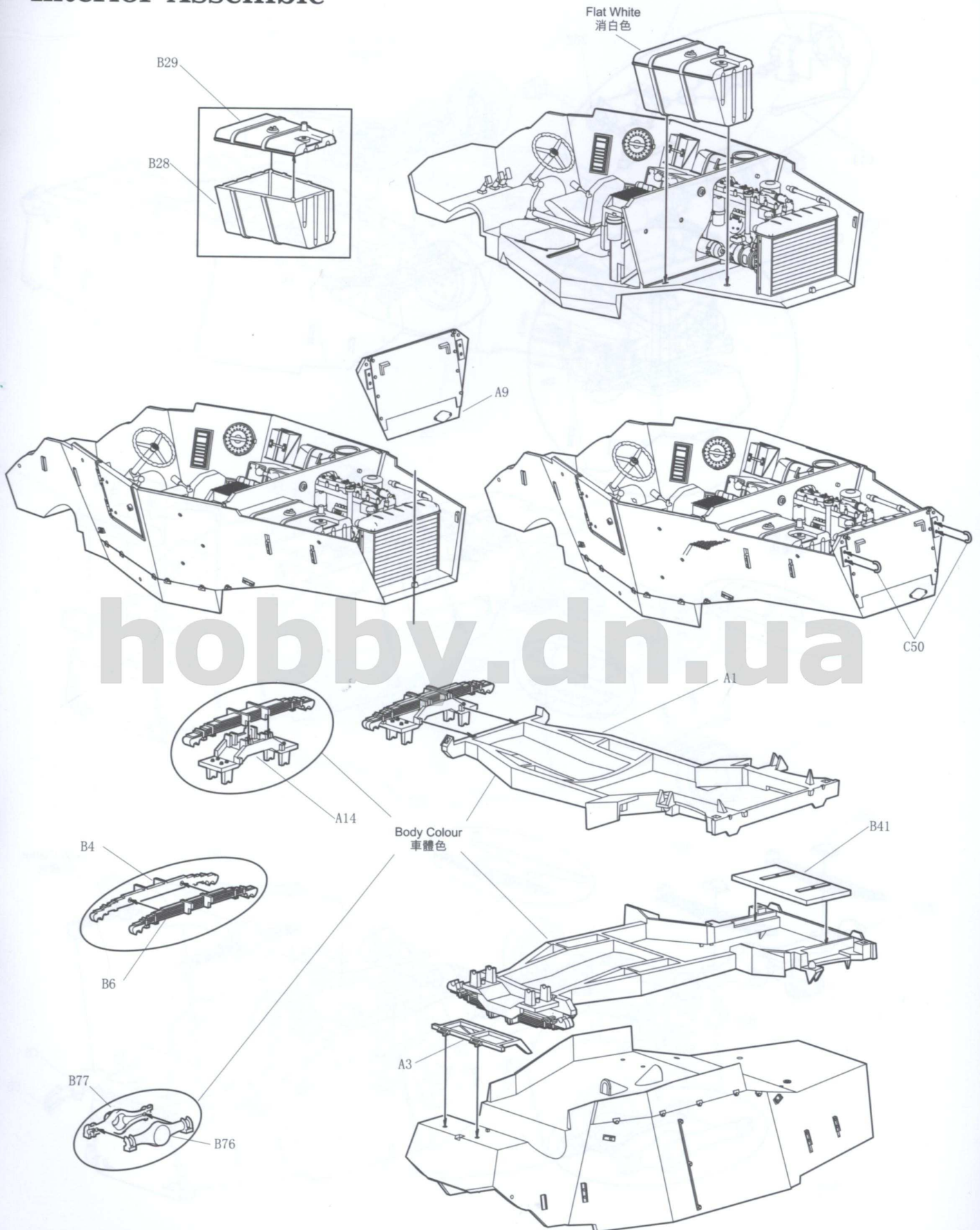


ILLUSTRATION 圖示說明：

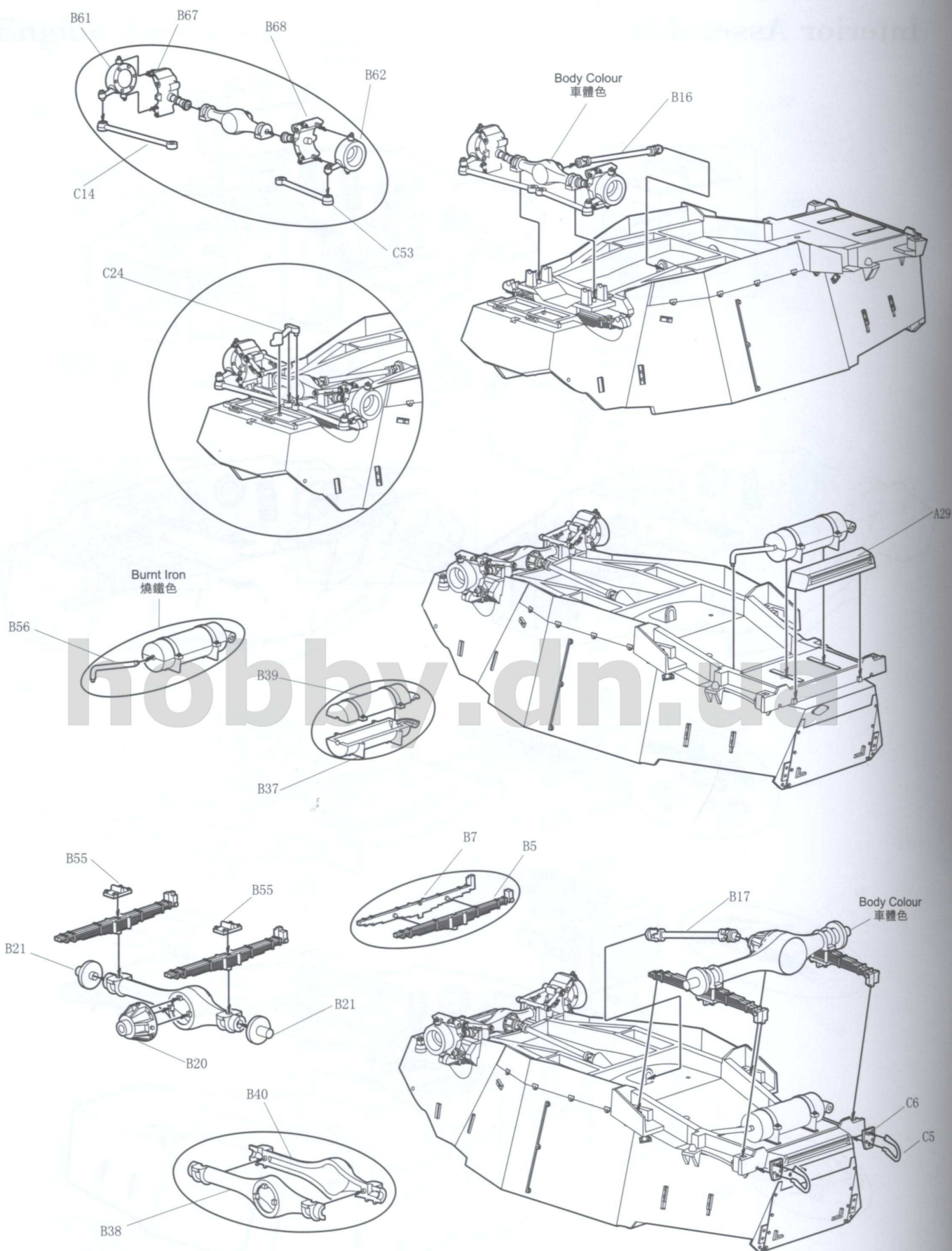


ILLUSTRATION 圖示說明：

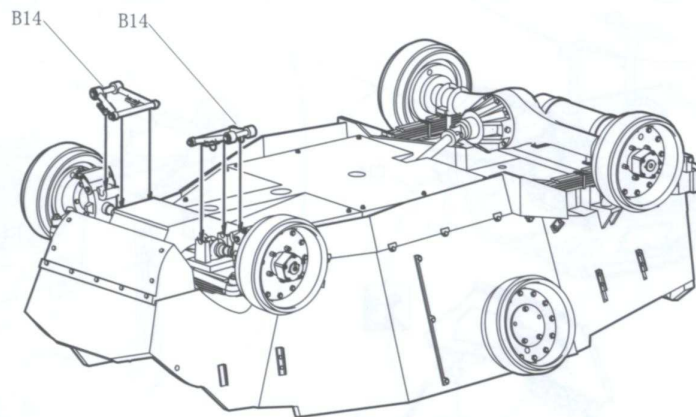
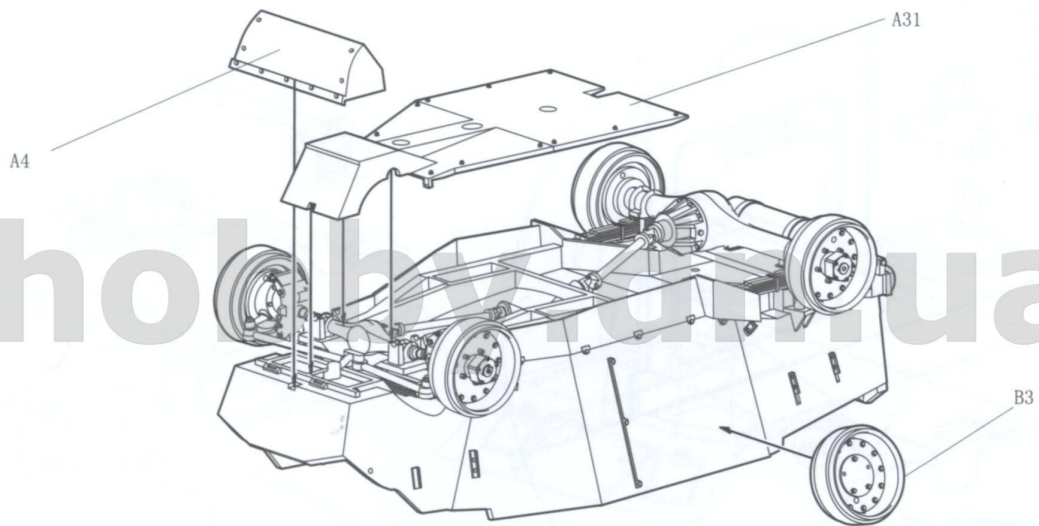
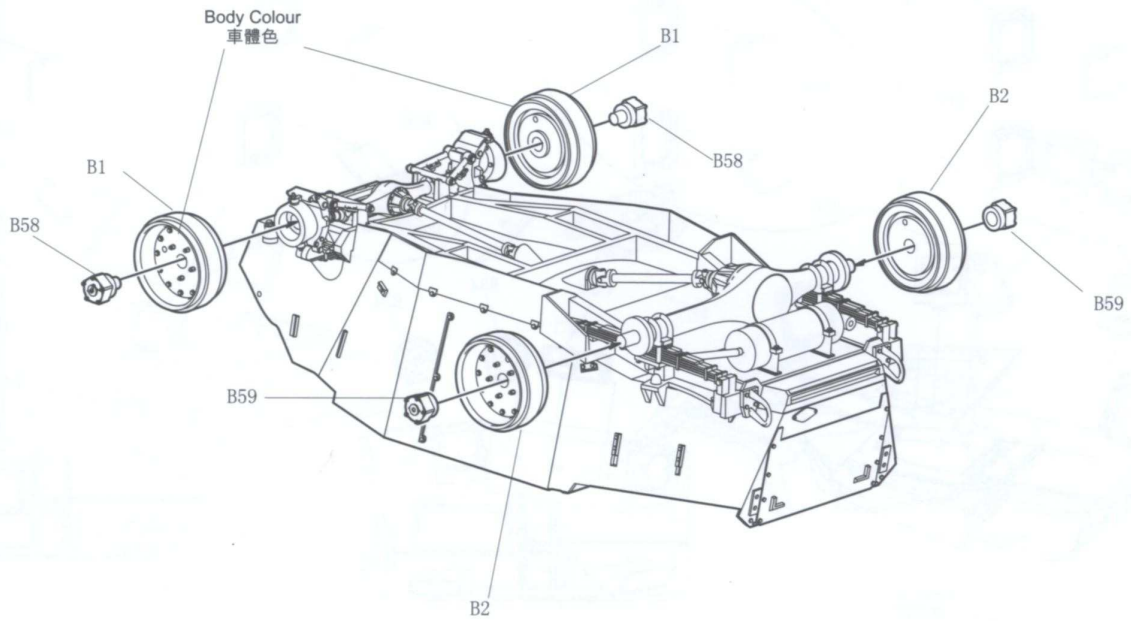


ILLUSTRATION 圖示說明：

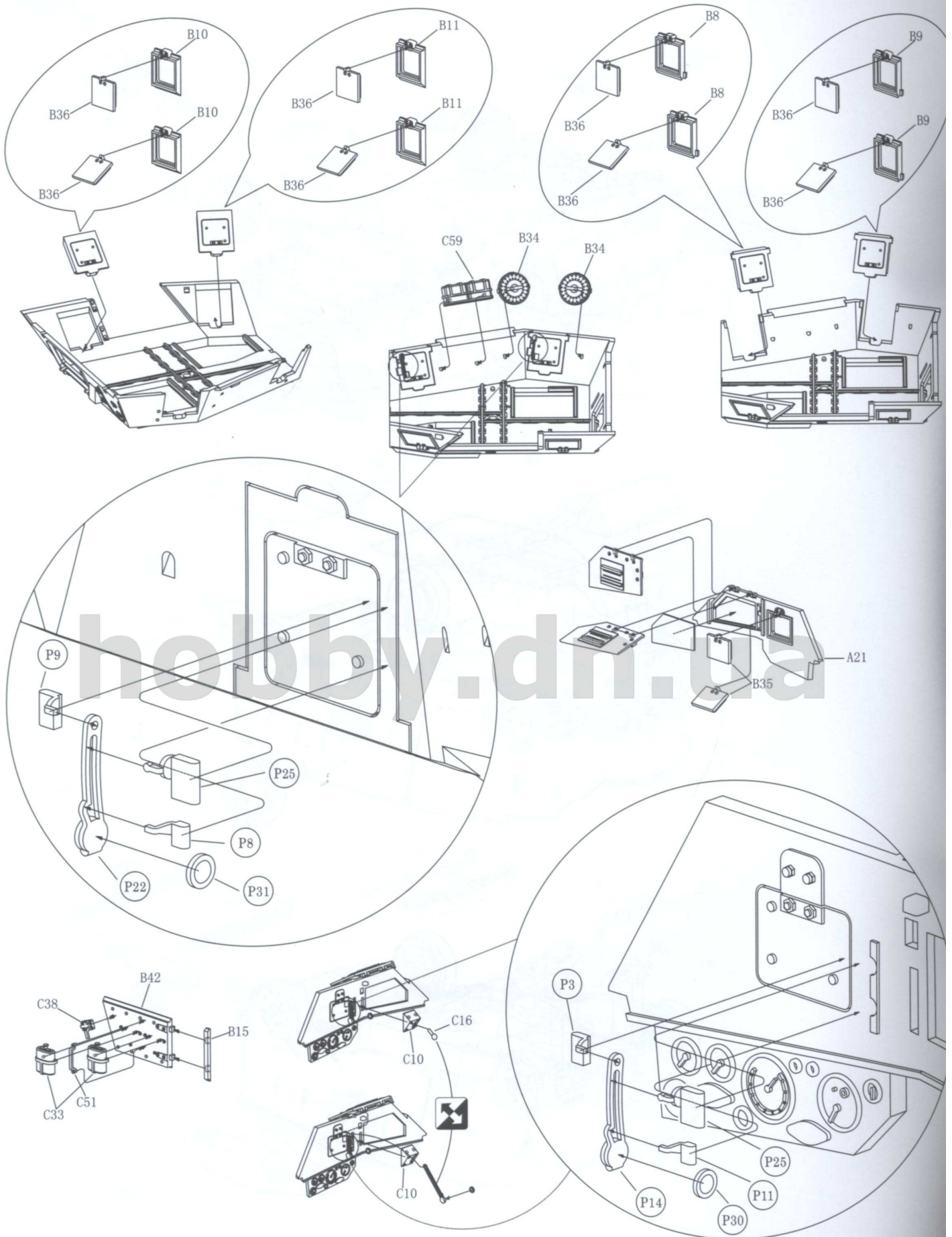


ILLUSTRATION 圖示說明：

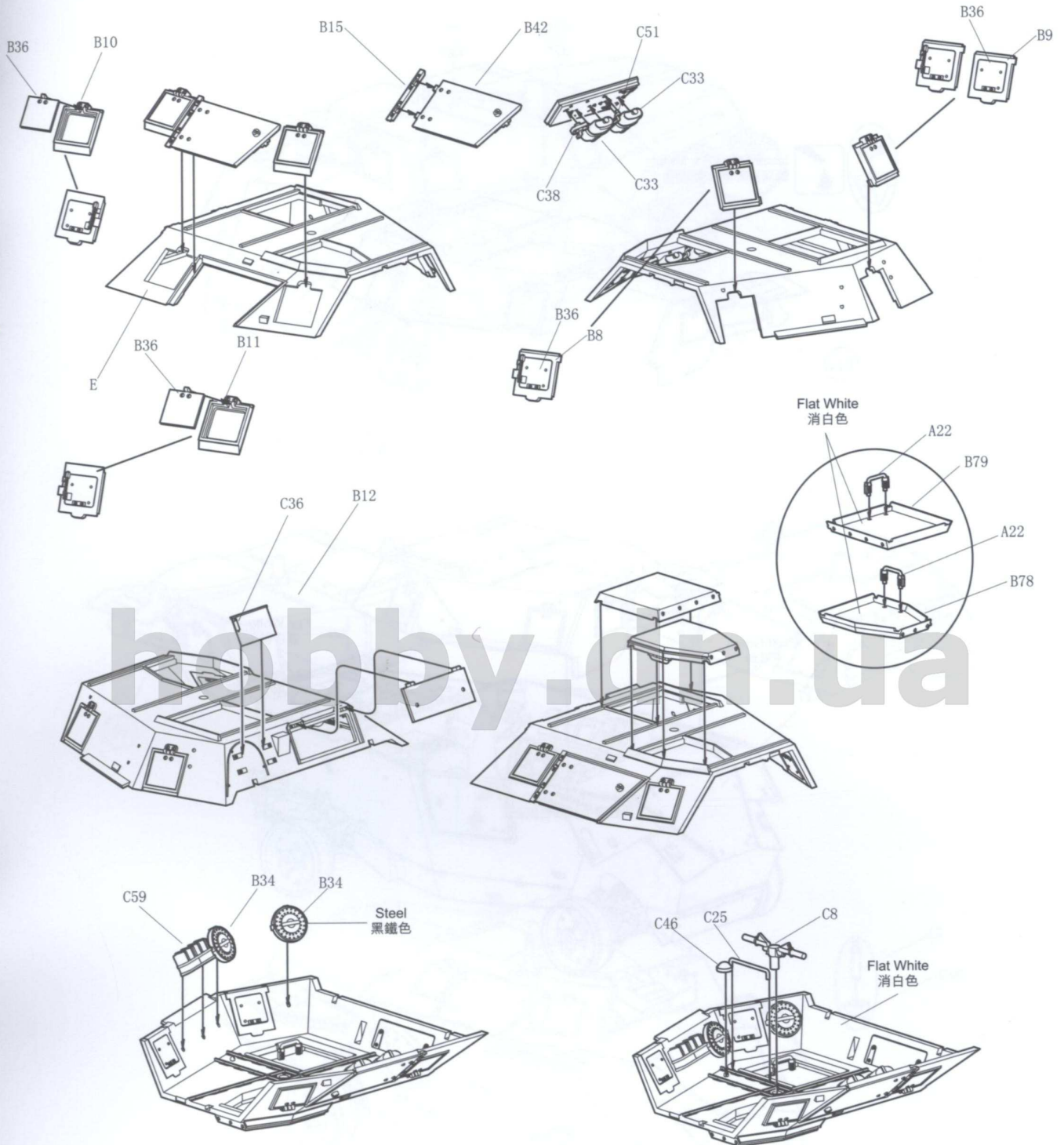
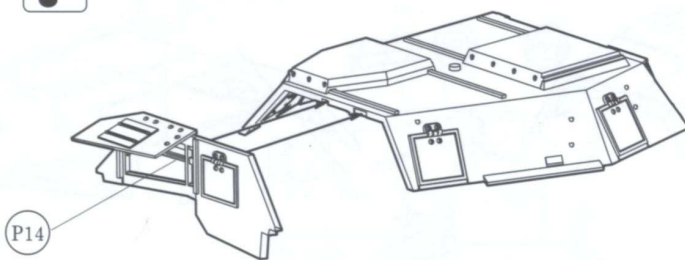


ILLUSTRATION 圖示說明：

 Instant Glue For Metal
瞬間接著劑，金屬用



Khaki Green
卡其綠
A17

Flat White
消白色

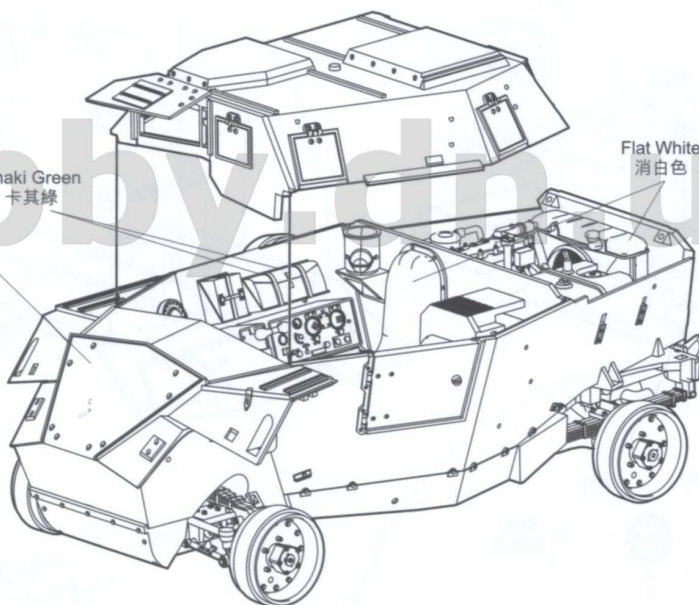
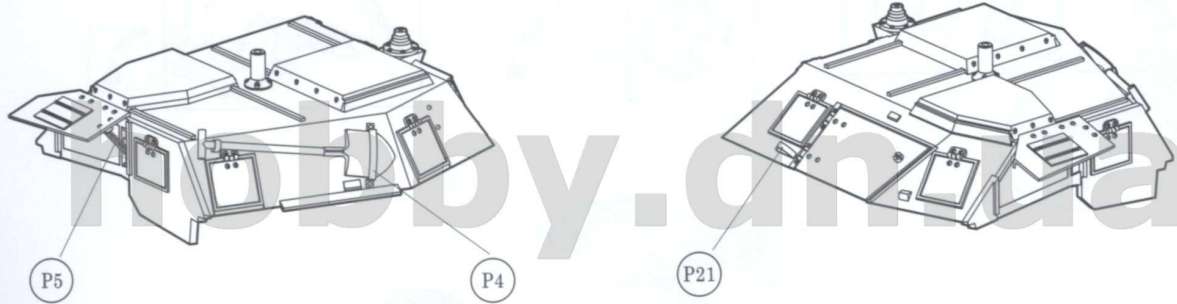
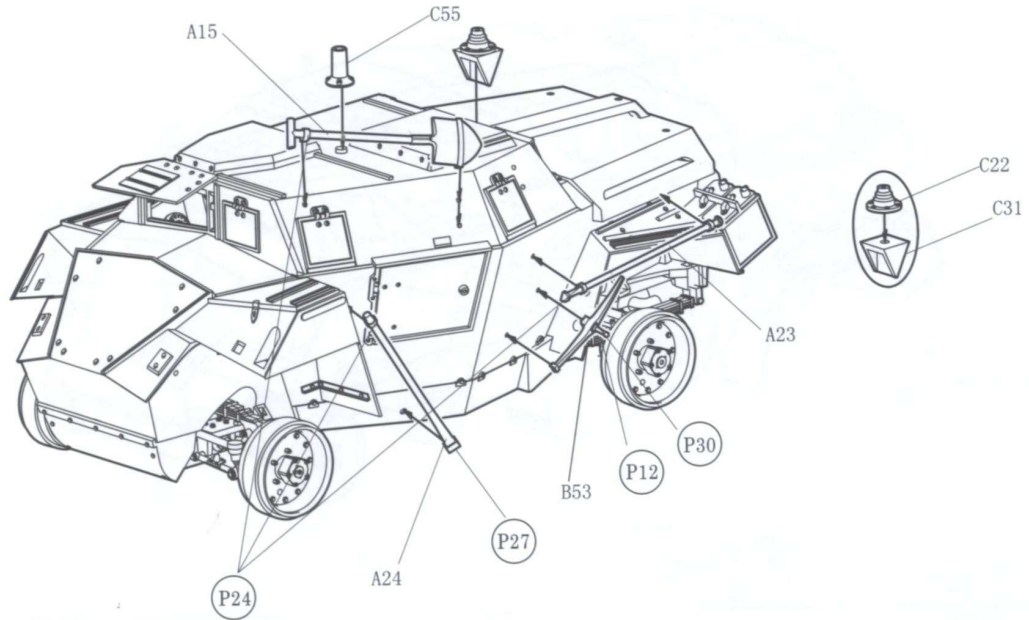


ILLUSTRATION 圖示說明：



 Instant Glue For Metal
瞬間接著劑，金屬用

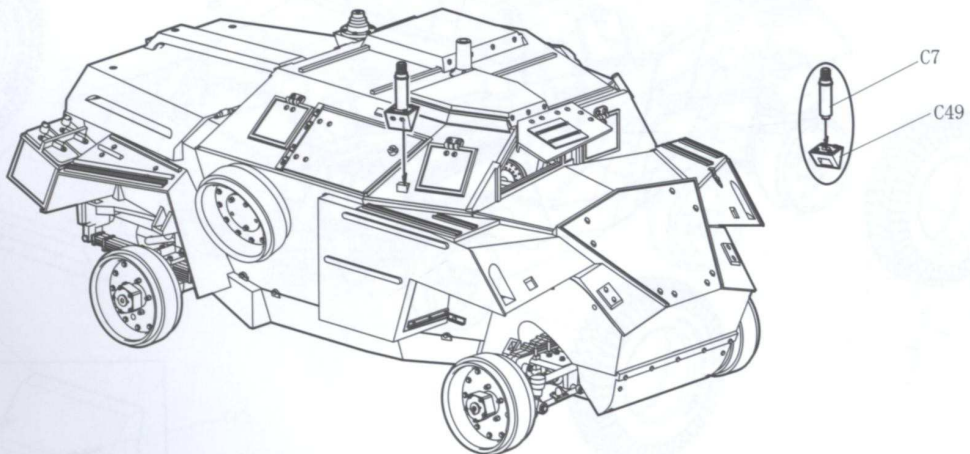


ILLUSTRATION 圖示說明：

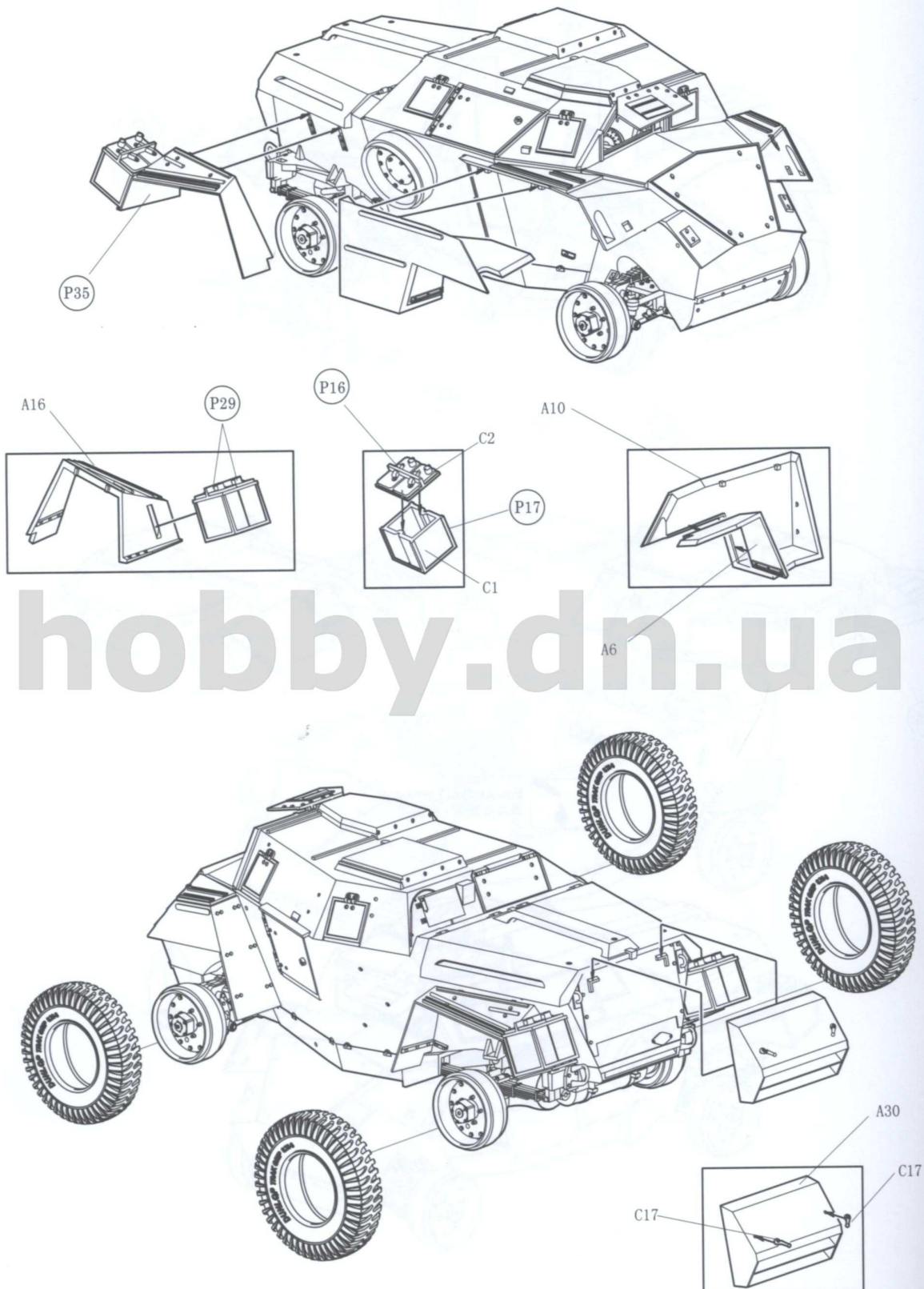
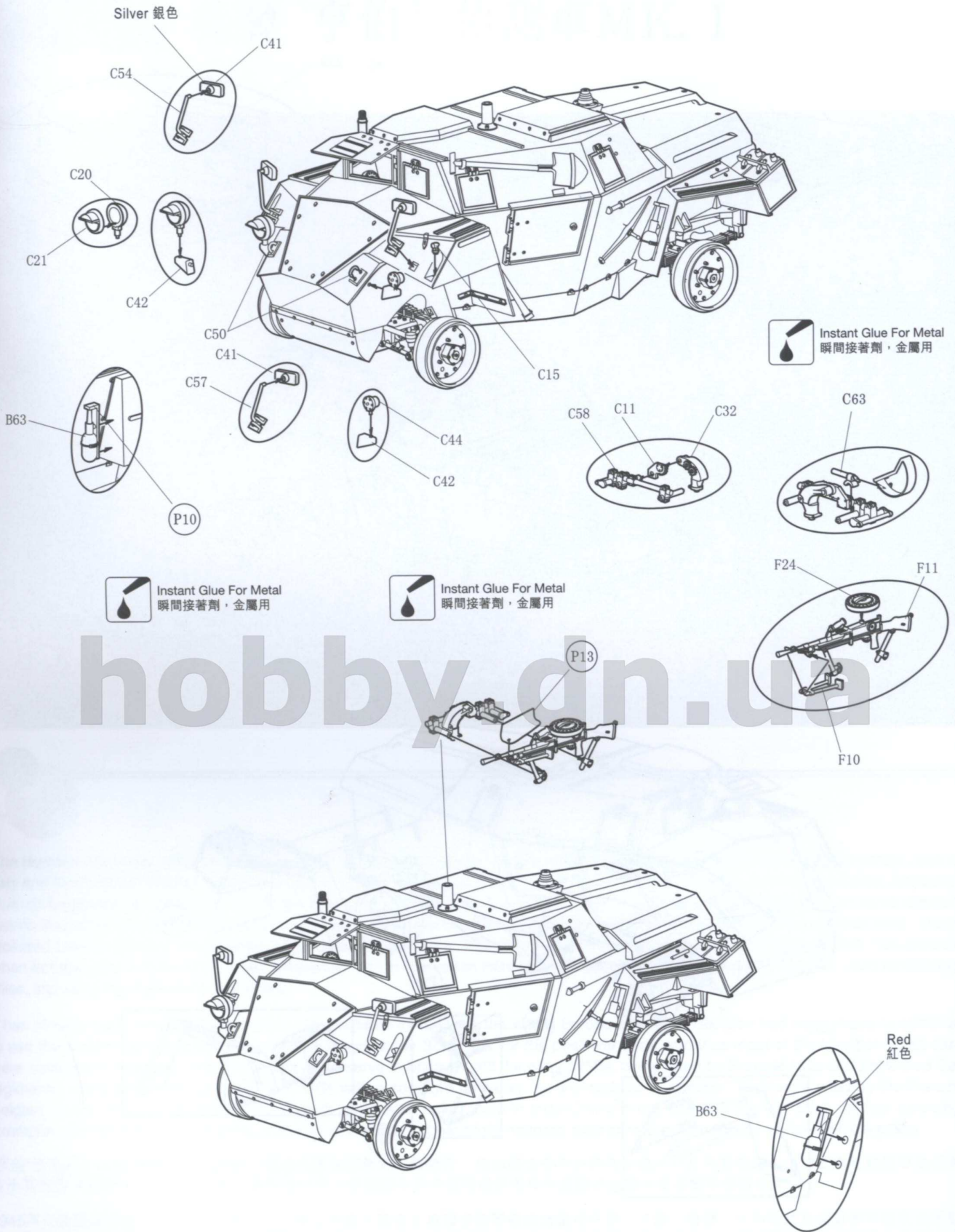


ILLUSTRATION 圖示說明：



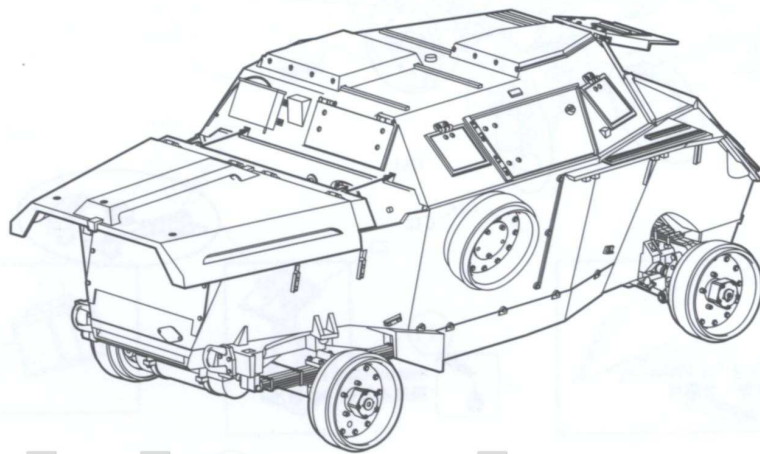
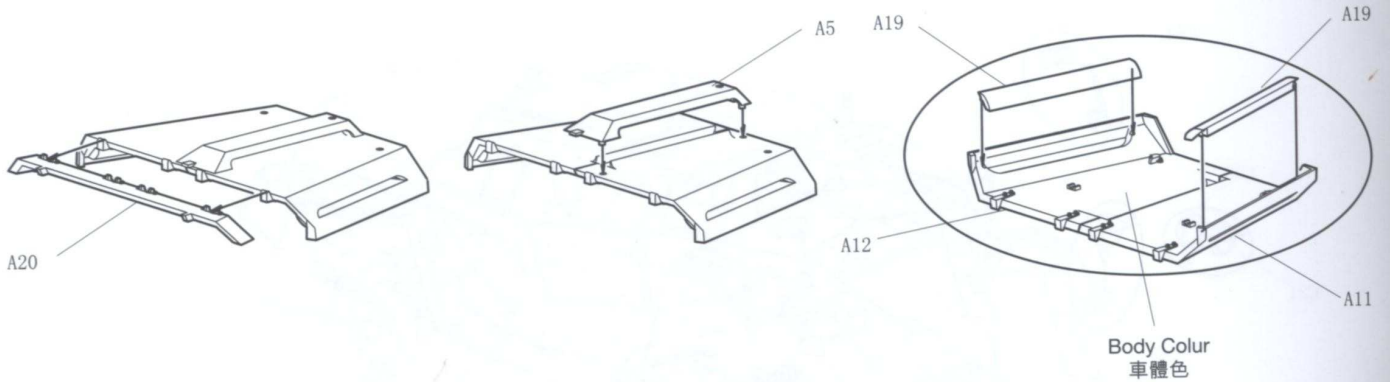
Instant Glue For Metal
瞬間接著劑·金屬用

Instant Glue For Metal
瞬間接著劑·金屬用

Instant Glue For Metal
瞬間接著劑·金屬用

Red
紅色

COLOUR GUIDE 塗色說明：



hobby.dn.ua

