

Clear Prop!

STARTER



TB-2 UAV UKRAINIAN NAVY

1:35

model # CP3503



scale model kit

SPAN: 344 mm



LENGHT: 200 mm



NUMBER OF PARTS: 110 pcs

- stages of assembly
- variants of assembly
- A1** part number
- fill with putty
- apply decals
- apply the adhesive mask
- bend
- optional
- glue by super glue
- do not glue
- make a hole
- detach with knife
- paint
- repeat the operation N times

Role	Unmanned combat aerial vehicle
National origin	Turkey
Manufacturer	Baykar
First flight	August 2014
Status	In service
Number built	more than 300

The Bayraktar TB2 is a medium-altitude long-endurance (MALE) unmanned combat aerial vehicle (UCAV) capable of remotely controlled or autonomous flight operations. It is manufactured by the Turkish company Baykar Makina Sanayi ve Ticaret A.Ş., primarily for the Turkish Armed Forces. The aircraft are monitored and controlled by an aircrew in a ground control station, including weapons employment. The development of the UAV has been largely credited to Selçuk Bayraktar, a former MIT graduate student.

The Bayraktar TB2 platform has a blended wing body design with an inverted V-tail structure. Thrust is generated by a variable pitch two-blade propeller in pusher configuration. The propeller is mounted between the tail booms and driven by an internal combustion engine located in the body. The monocoque platform is modular with detachable main items such as wing, tail boom, and V-tails. Fuselage pieces are made mostly of carbon fiber composite with machined aluminum parts at joints. Fuel is stored within bladder tanks and fuel consumption is balanced with solenoid valves.

As of November 2021, the TB2 drone had completed 400,000 flight-hours globally. The largest operator of TB2 drones is the Turkish military but an export model has been sold to the militaries of a number of other countries. In the subsequent years, Bayraktar drones were deployed by a number of other nations around the world in various wars, such as Azerbaijan in the 2020 Nagorno-Karabakh war and by Ukrainian forces during the 2022 Russian invasion of Ukraine.

REQUIRED PAINTS



A MR. COLOR
308 75% + 73 25%
A.MIG-0241
GRAY



B MR. COLOR 31
A.MIG-0236
DARK GRAY



C MR. COLOR 1
A.MIG-0050
WHITE



D MR. COLOR 2
A.MIG-0046
BLACK



E MR. COLOR MC211
A.MIG-0192
POLISHED METAL



F MR. COLOR 61
A.MIG-0187
BURNT IRON



G MR. COLOR 8
A.MIG-0195
SILVER



H MR. COLOR 137
A.MIG-0033
TIRE BLACK



I MR. COLOR 35
A.MIG-0263
I/JN GRAY

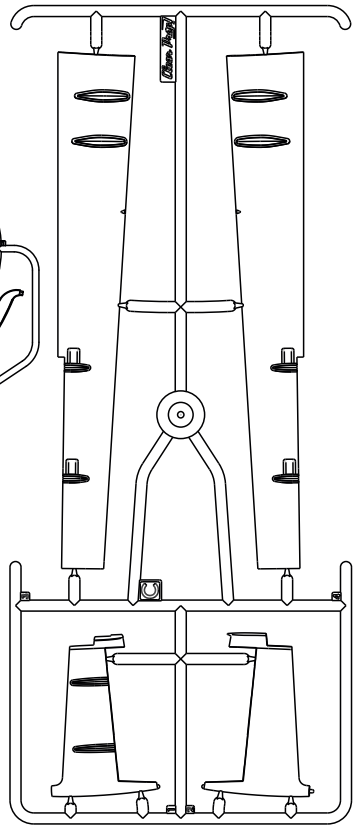
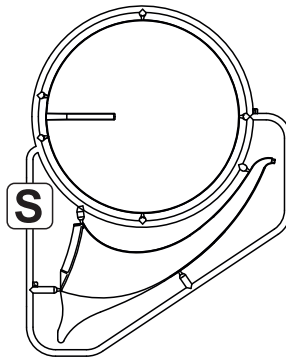
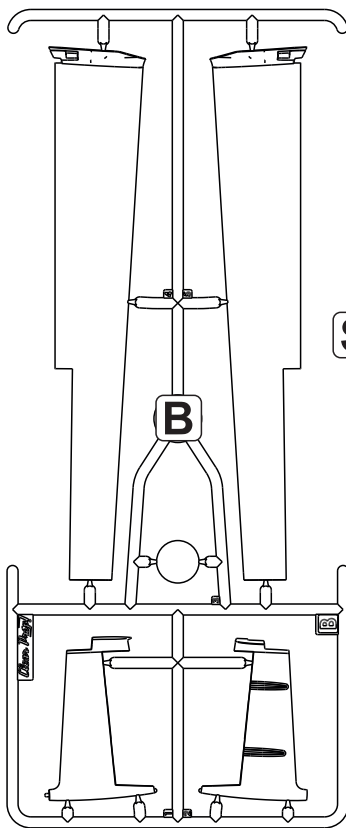
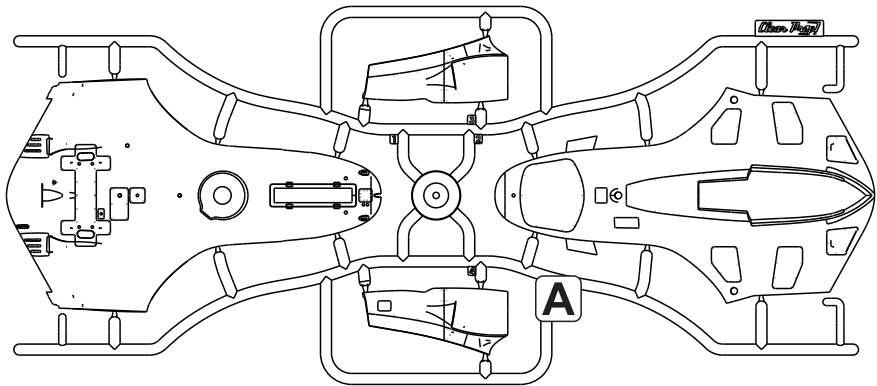


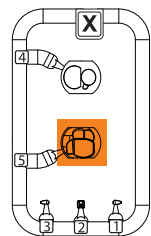
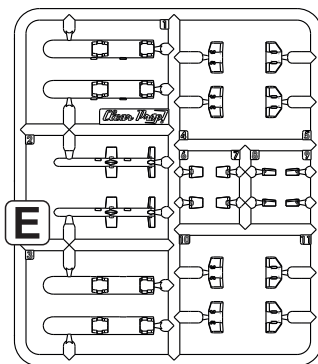
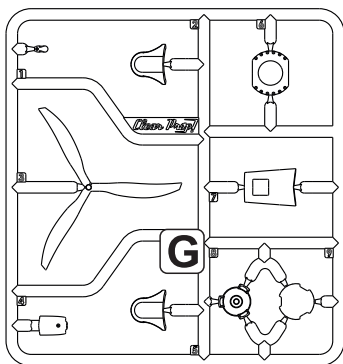
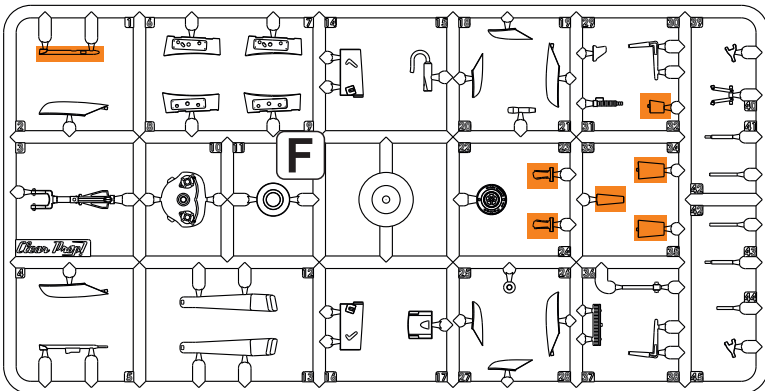
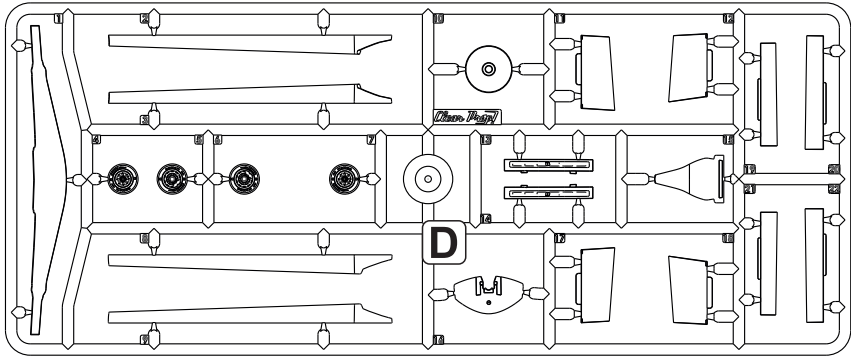
J MR. COLOR 217
A.MIG-0197
BRONZE



AMMO
by MIG Jimenez

THIS MODEL IS PRODUCED FOR EXPERIENCED MODELERS OVER 14 YEARS



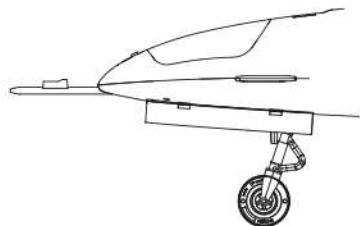
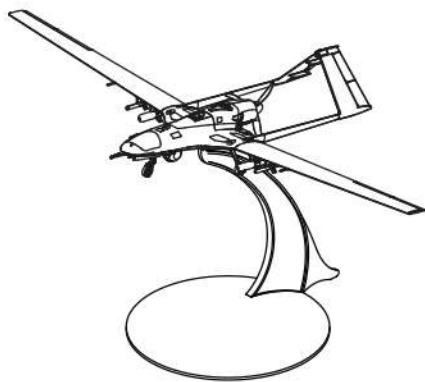



parts not for use

VARIANTS OF ASSEMBLY

A


CORRECT POSITION OF LANDING GEAR

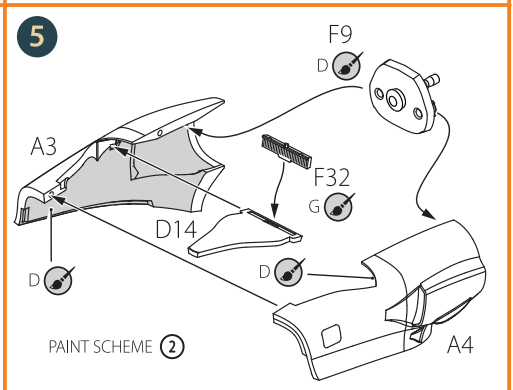
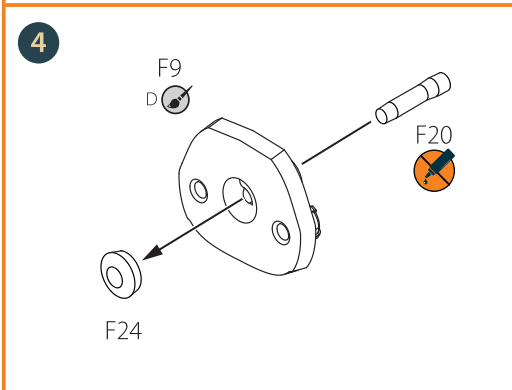
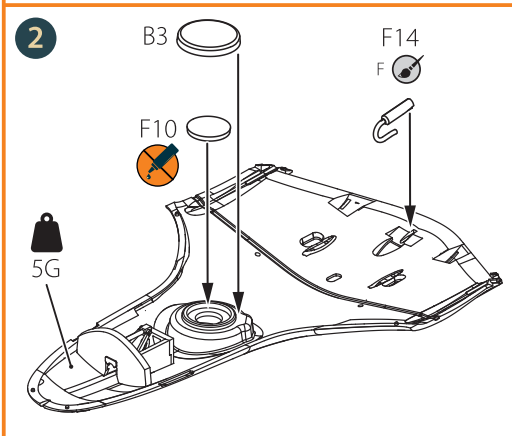
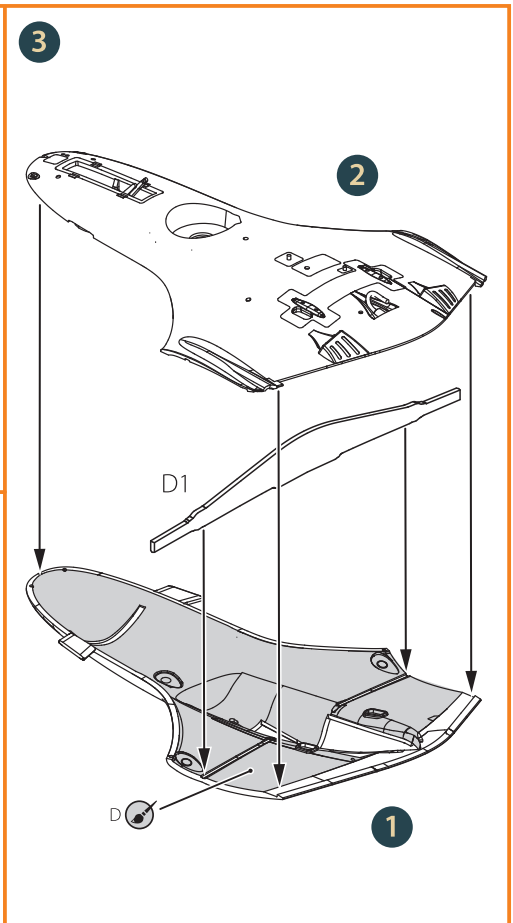
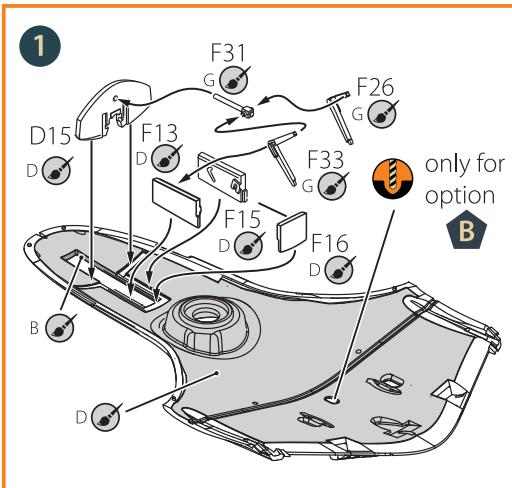

B


DECAL SHEET

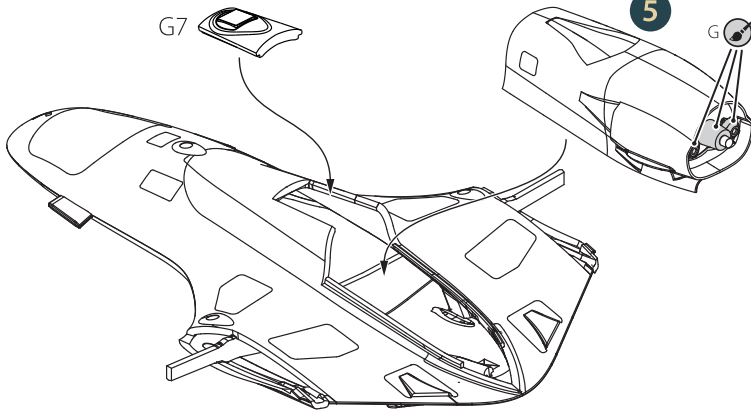


CORRECT POSITION OF LANDING GEARS AND TAIL ANGLE

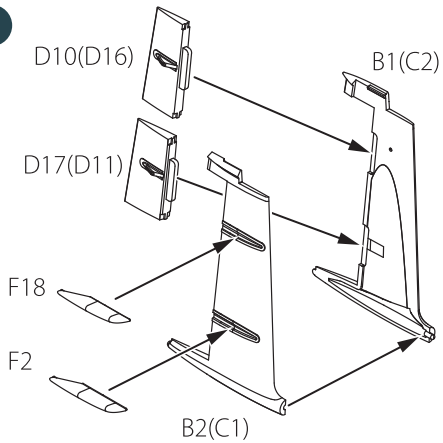




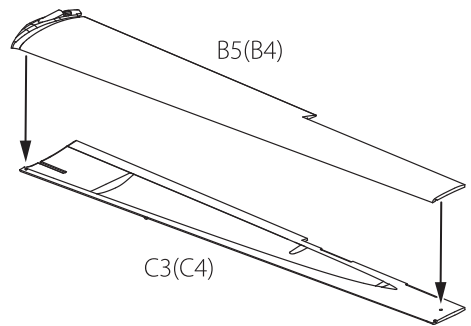
6



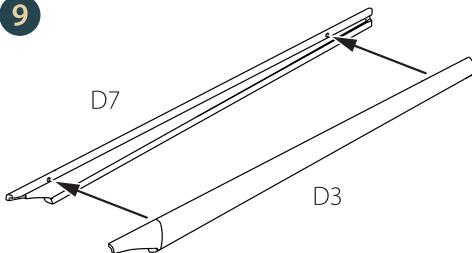
7



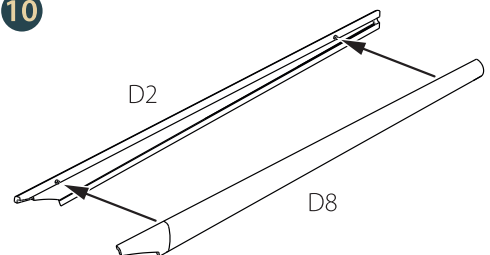
8

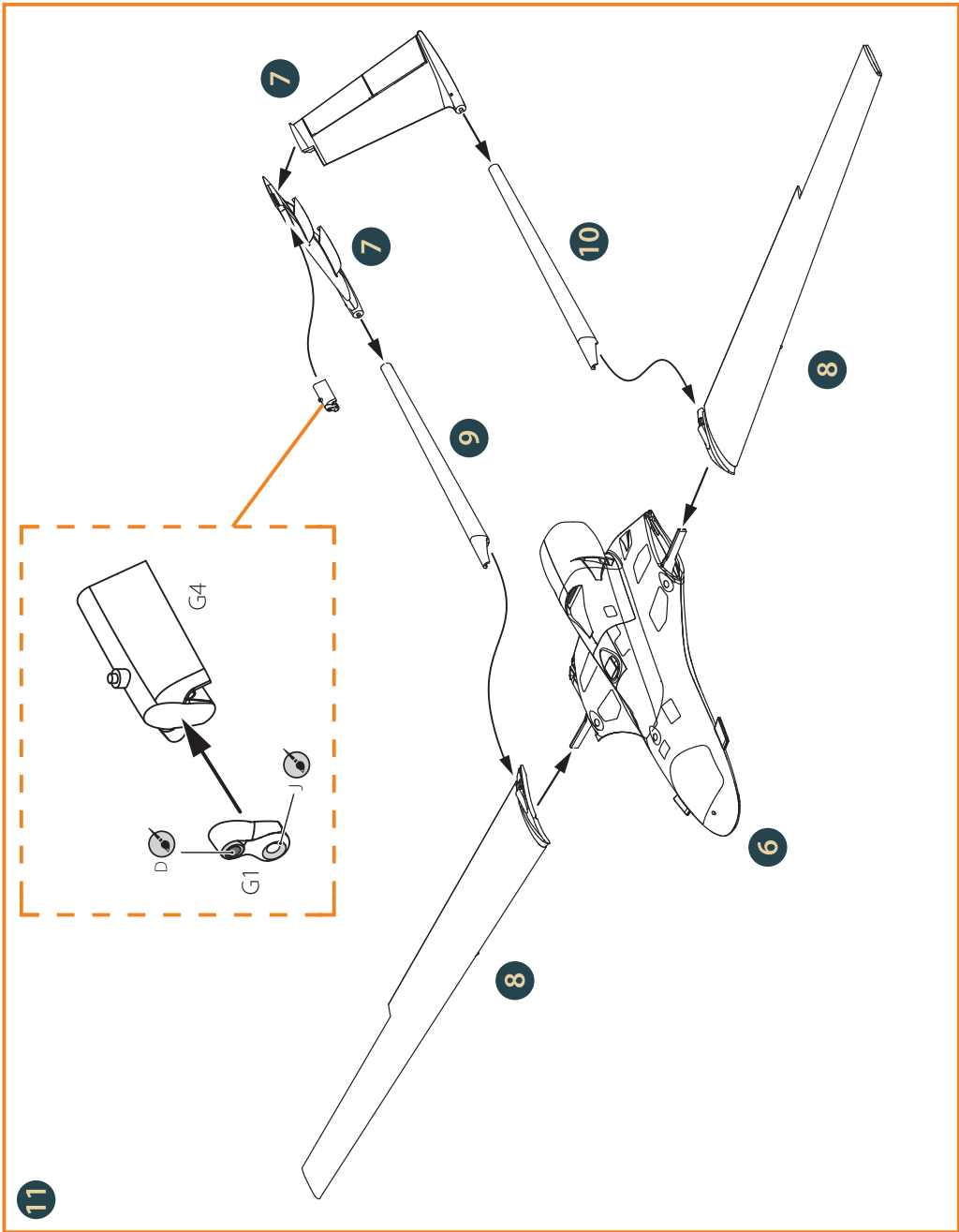


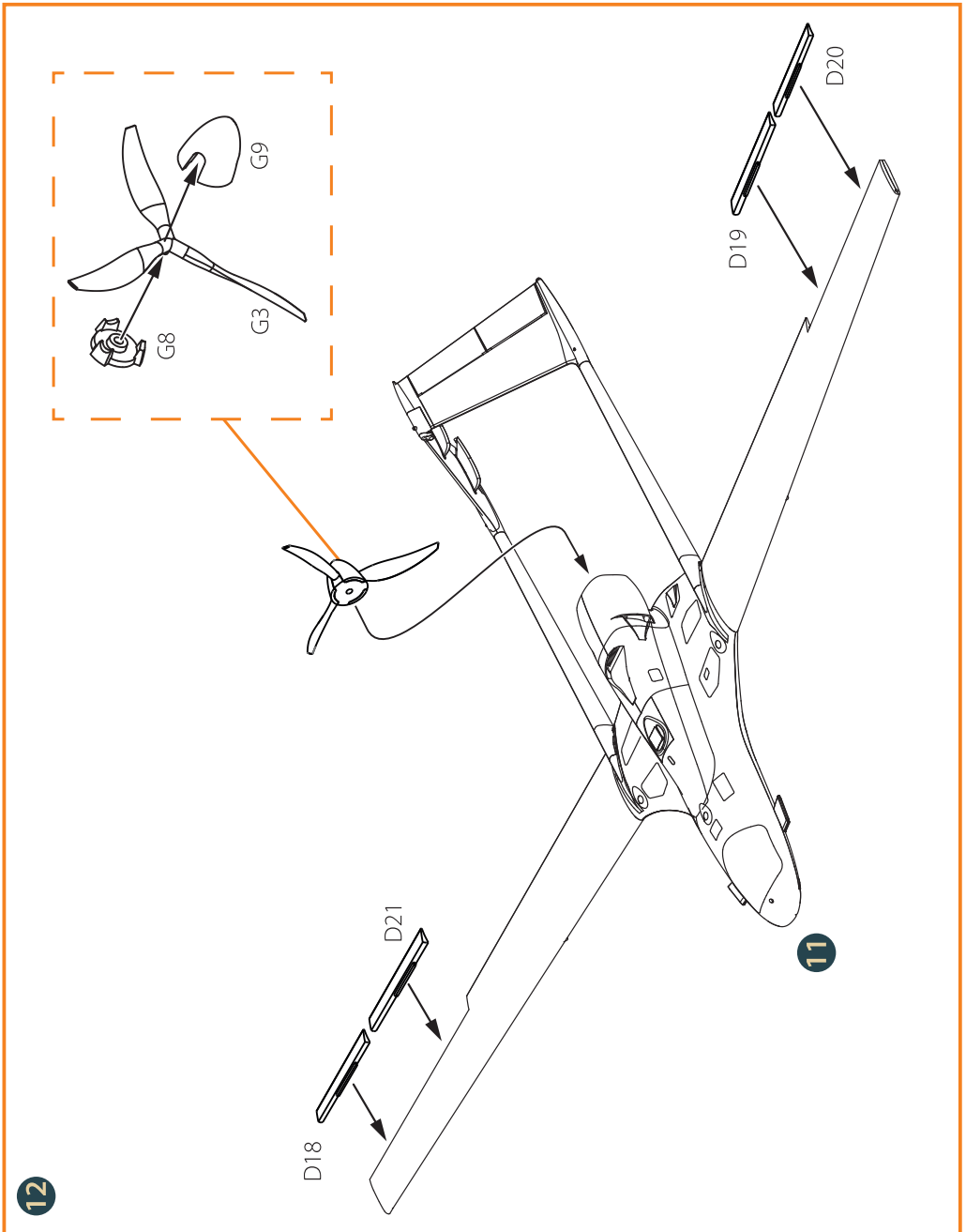
9

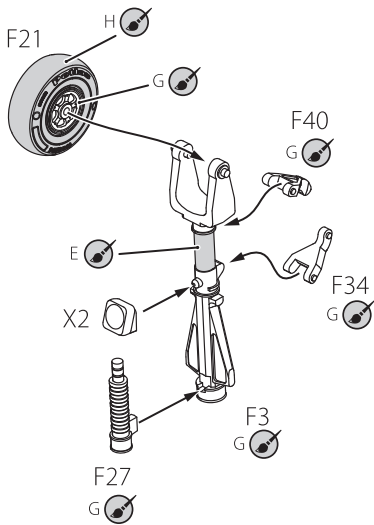
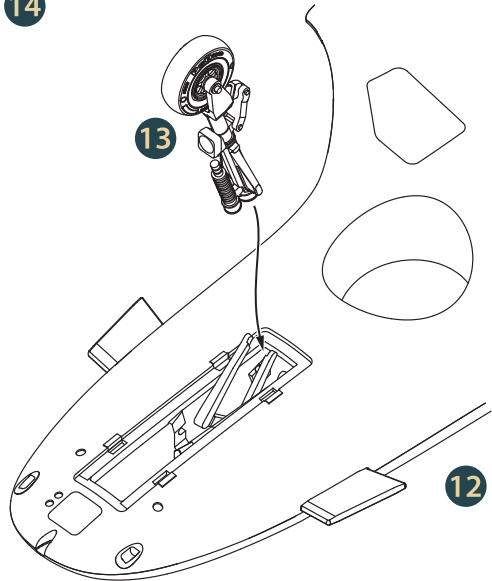
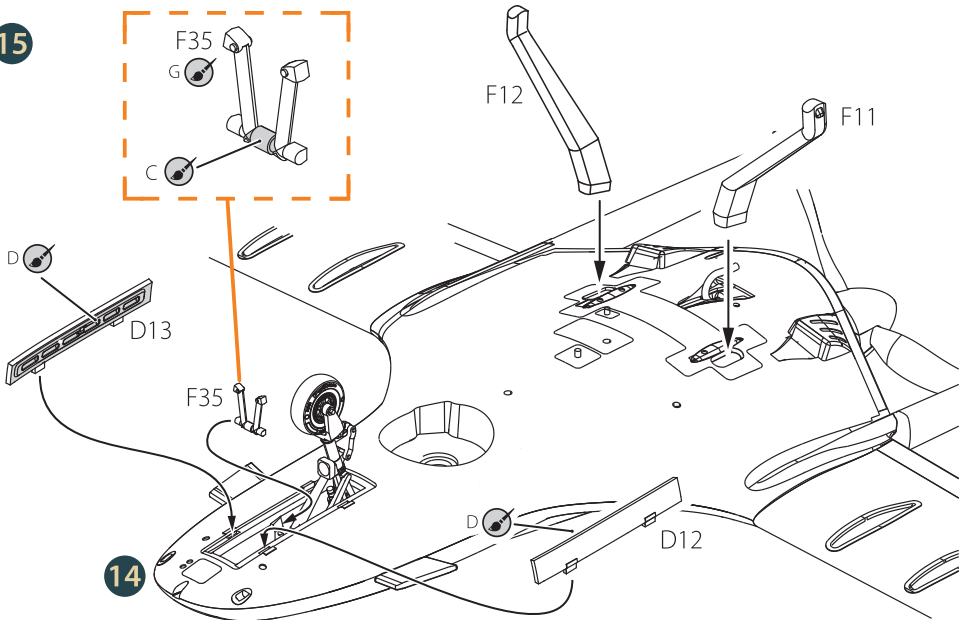


10



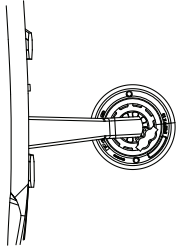




13

14

15


CORRECT POSITION OF
MAIN WHEEL

FLIGHT DIRECTION →



F37
D

F39
D

D4 H
G

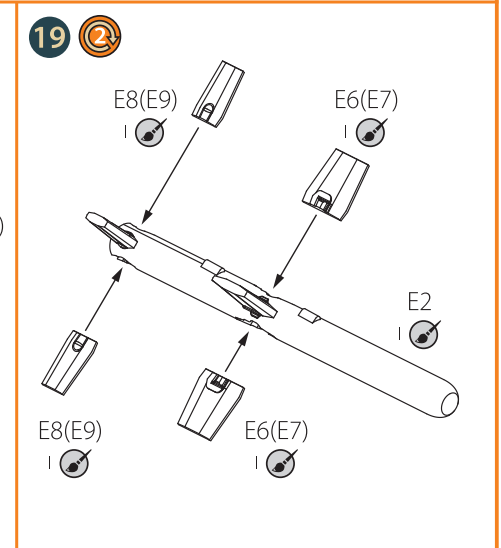
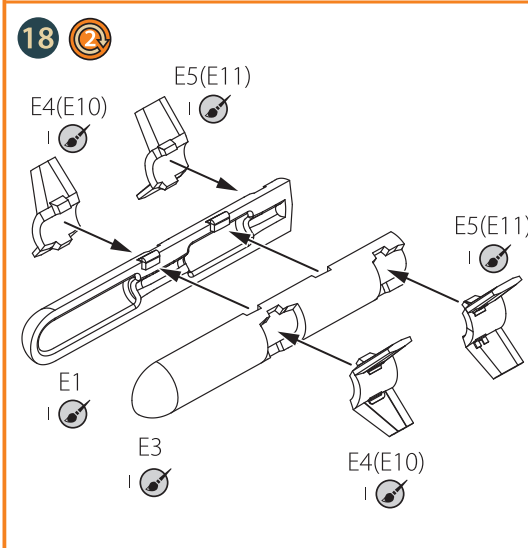
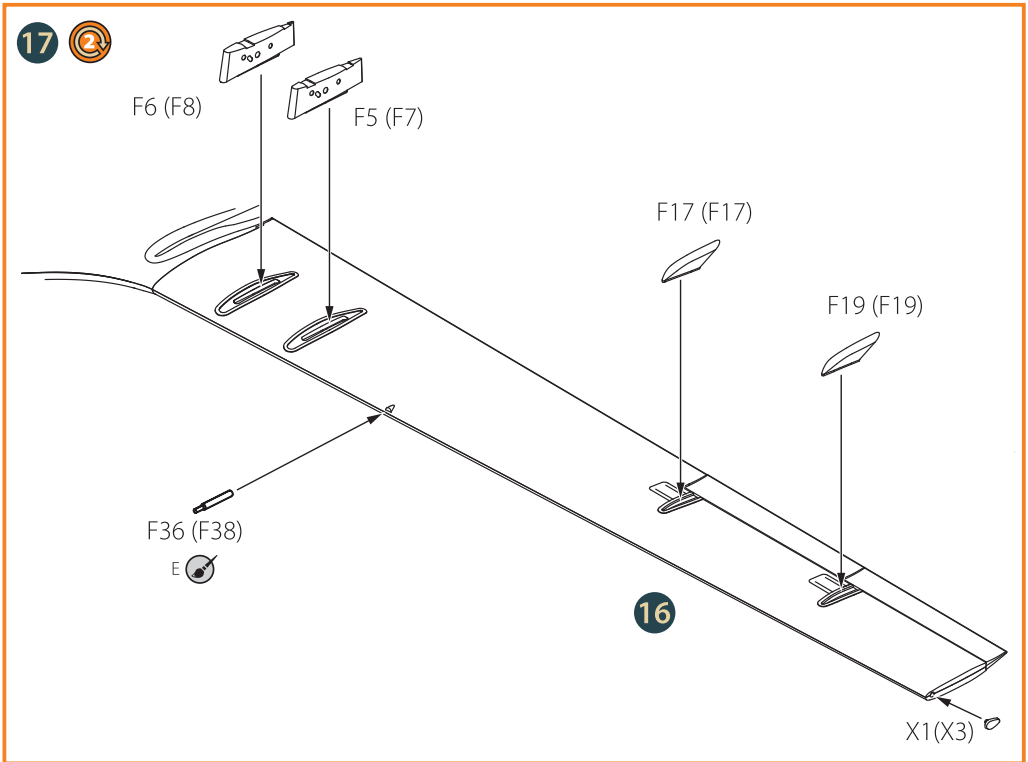
D5 (D6)

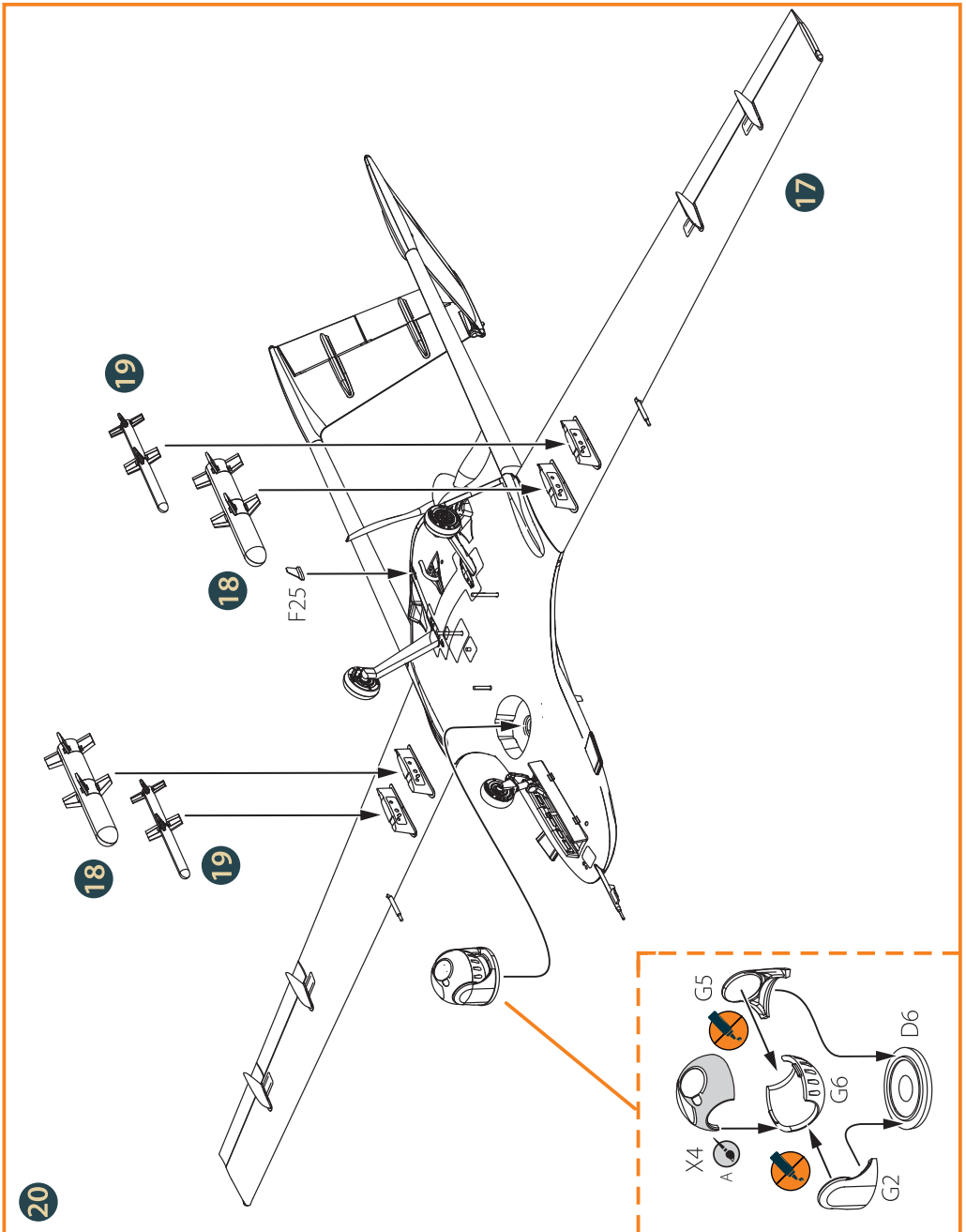
15

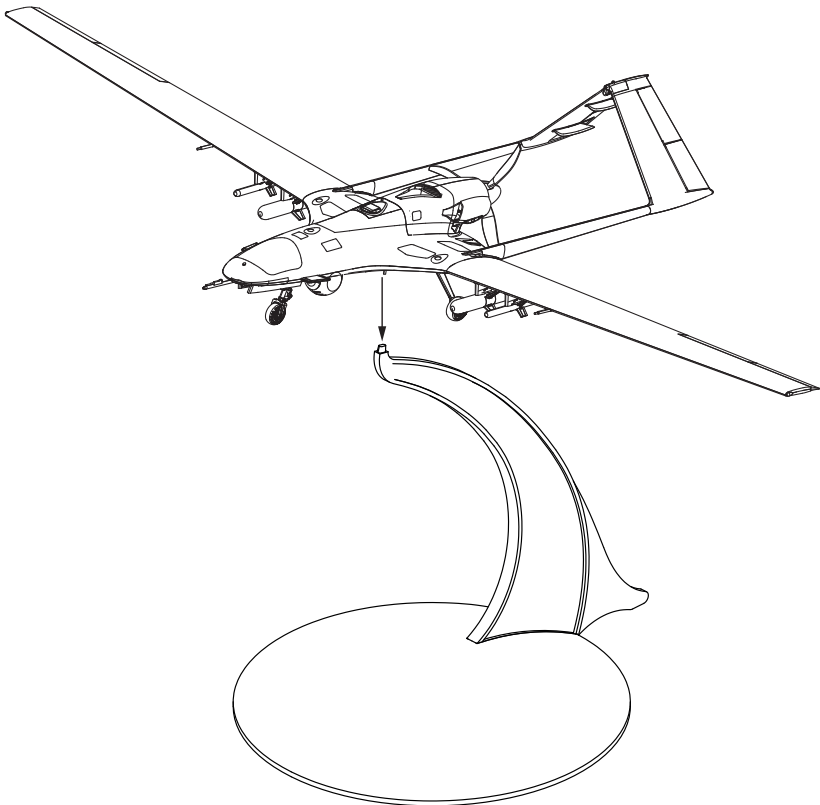
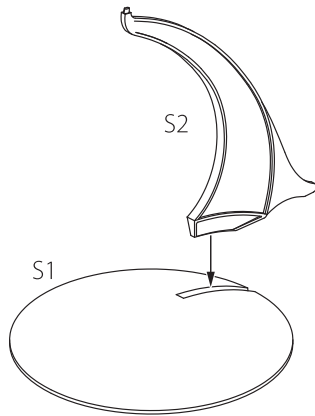
Fill whit putty

F4

16









A
MR. COLOR 325
A.MIG-0241
GRAY



B
MR. COLOR 31
A.MIG-0236
DARK GRAY



C
MR. COLOR 1
A.MIG-0050
WHITE

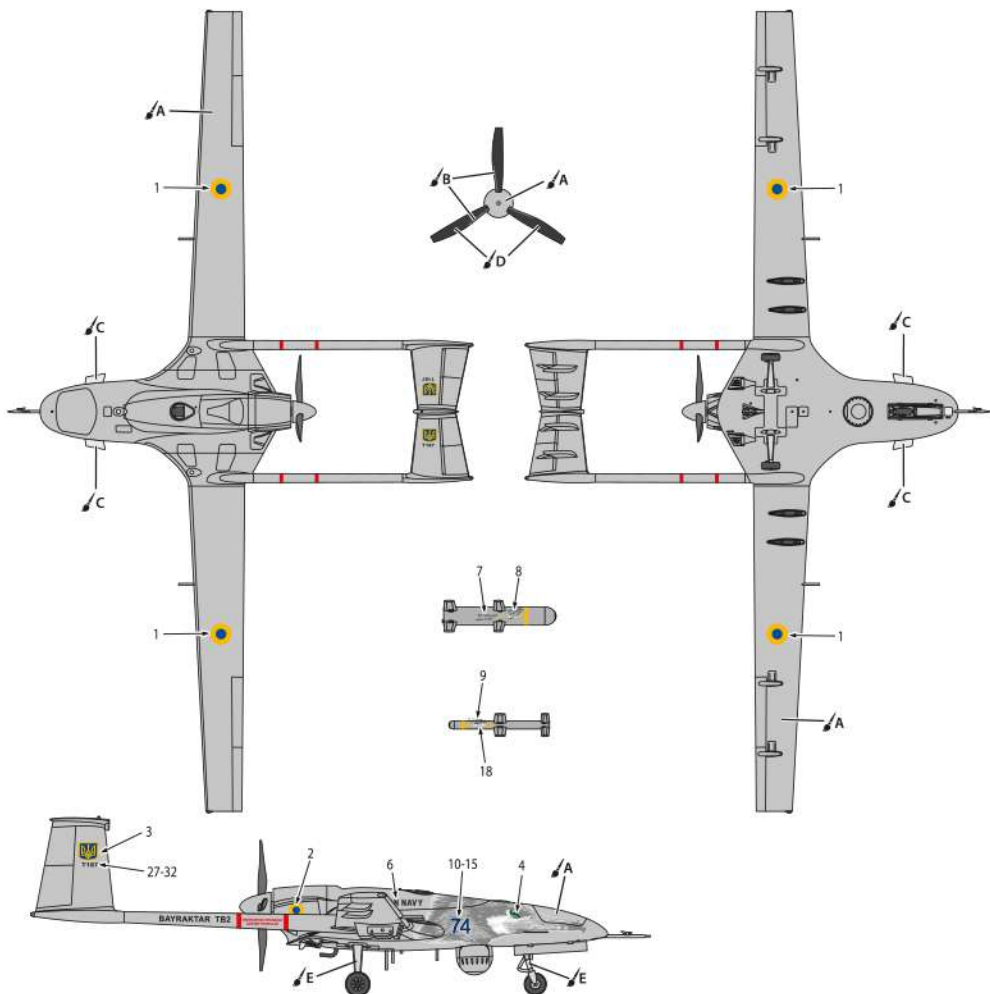
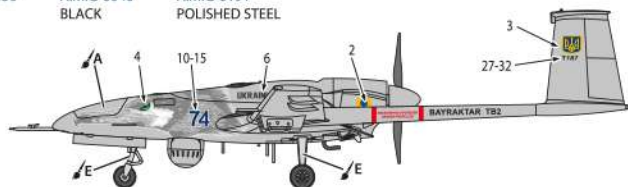


D
MR. COLOR 2
A.MIG-0046
BLACK

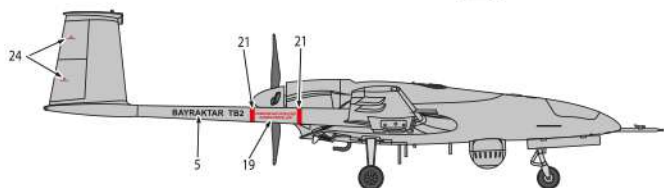
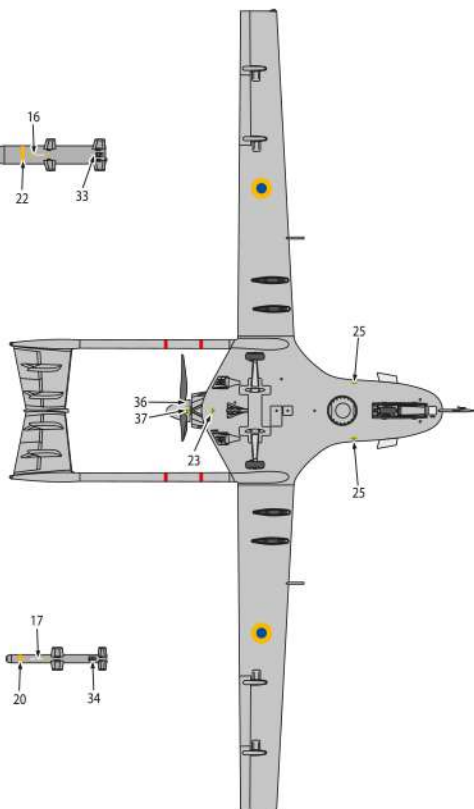
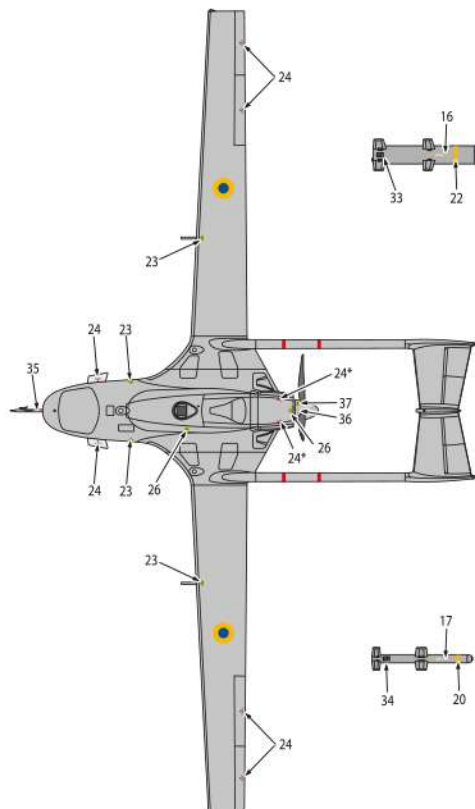
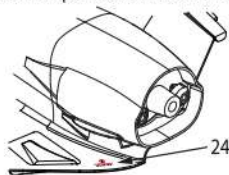
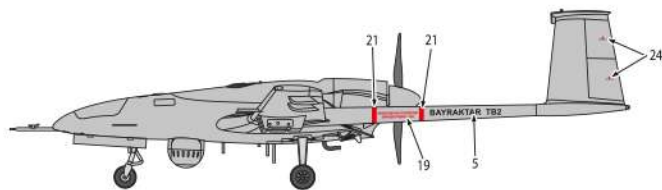


E
MR. COLOR 18
A.MIG-0191
POLISHED STEEL

① Ukrainian Navy, 2022



* Correct position of decals № 24





VISIT OUR SITE FOR MORE SCALE MODEL KITS

clearpropmodels.com



sales@clearpropmodels.com



[www.fb.com/Clearpropmodels](https://www.facebook.com/Clearpropmodels)