

Clear Prop!

ADVANCED



A2D-1 SKYSHARK

1:48
model # CP4801

SPAN: 317,5 mm

LENGHT: 261,2 mm

NUMBER OF PARTS: 268 pcs



scale model kit

- 1** stages of assembly
- ?** optional
- A** variants of assembly
- glue by super glue
- A1** part number
- do not glue
- fill with putty
- make a hole
- 1** apply decals
- detach with knife
- apply the adhesive mask
- paint
- bend
- N** repeat the operation N times

Role	Attack aircraft
Manufacturer	Douglas Aircraft Company
First flight	26 March 1950
Primary user	United States Navy
Number built	12

The Douglas A2D Skyshark was an American turboprop-powered attack aircraft built by the Douglas Aircraft Company for the United States Navy. On 25 June 1945, the Bureau of Aeronautics asked Douglas Aircraft for a turbine-powered, propeller-driven aircraft. Also, on 11 June 1947 Douglas received the Navy's letter of intent for a carrier-based turboprop. The need to operate from Casablanca-class escort carriers dictated the use of a turboprop instead of jet power. While it resembled the AD Skyraider, the A2D was different in a number of unseen ways. The 5,100-equivalent shaft horsepower Allison XT-40-A2 had more than double the horsepower of the Skyraider's R-3350. The XT40 installation on the Skyshark used contra-rotating propellers to harness all the available power. Wing root thickness decreased, from 17% to 12%, while both the height of the tail and its area grew. Engine-development problems delayed the first flight until 26 May 1950, made at Edwards Air Force Base by George Jansen. Navy test pilot Cdr. Hugh Wood was killed attempting to land the first prototype XA2D-1, BuNo 122988, on 19 December 1950. He was unable to check the rate of descent, resulting in a high-impact crash on the runway. Additional instrumentation was added to the second prototype, but by the time it was ready to fly on 3 April 1952, sixteen months had passed, and with all-jet designs being developed, the A2D program was essentially dead. Total flight time on the last airframe was barely 20 hours. Twelve Skysharks were built, two prototypes and ten pre-production aircraft. Most were scrapped or destroyed in accidents, and only one has survived.

REQUIRED PAINTS

A A.MIG-0227 NAVY BLUE

B A.MIG-0194 ALUMINIUM

C A.MIG-0125 INSIGNIA YELLOW

D A.MIG-0046 BLACK

E A.MIG-0191 POLISHED STEEL

F A.MIG-0045 GUN METAL

G A.MIG-0048 YELLOW

H A.MIG-0049 RED

I A.MIG-0047 WHITE

J A.MIG-0220 INTERIOR GREEN

K A.MIG-0056 KHAKI

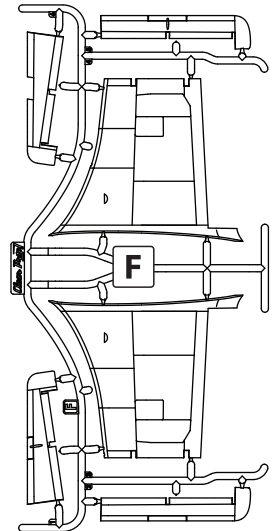
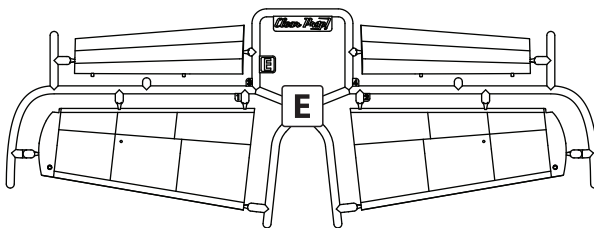
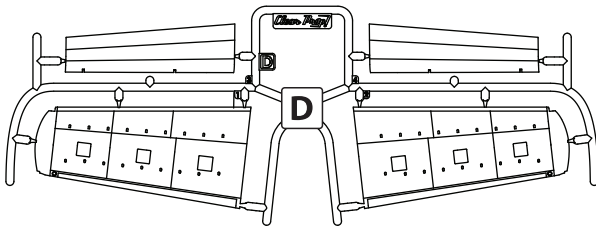
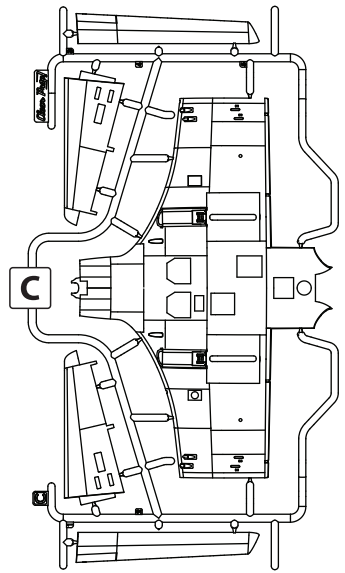
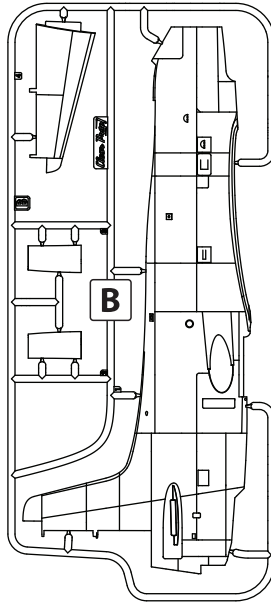
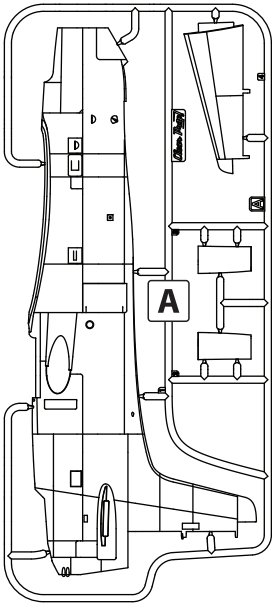
L A.MIG-0187 BURNT IRON

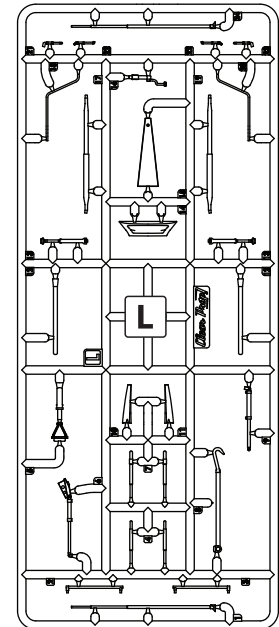
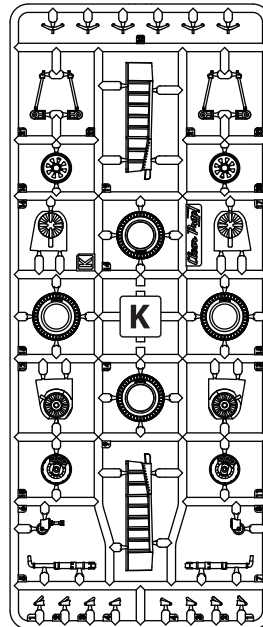
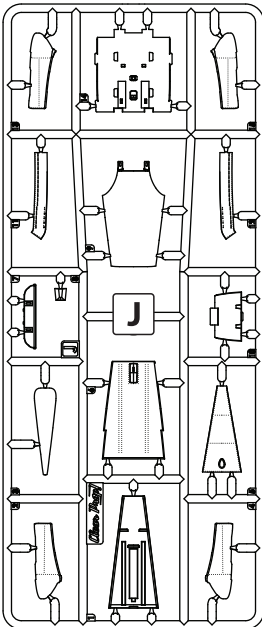
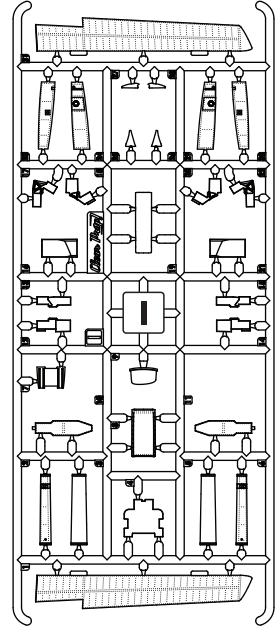
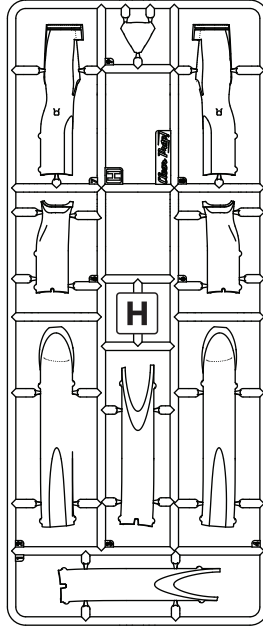
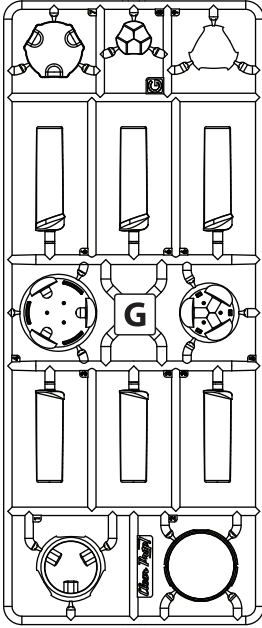
M A.MIG-0033 TIRE BLACK

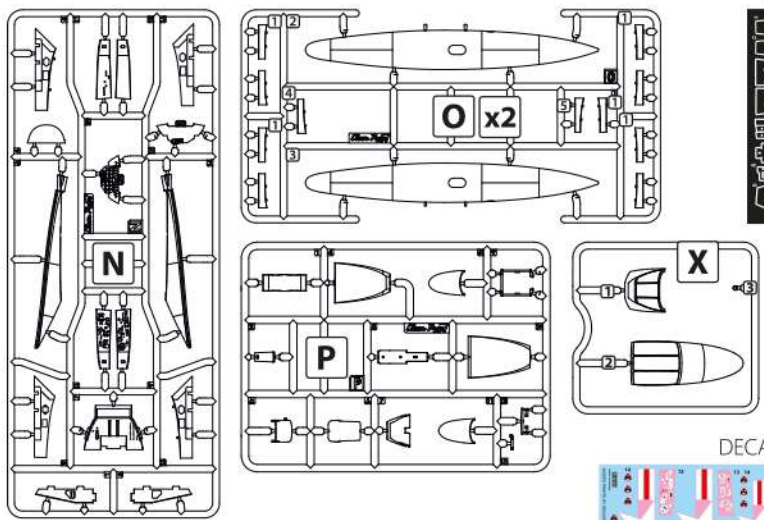
N A.MIG-0195 SILVER



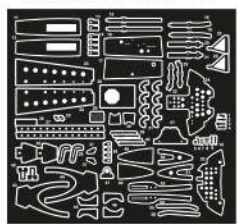
THIS MODEL IS PRODUCED FOR EXPERIENCED MODELERS OVER 14 YEARS



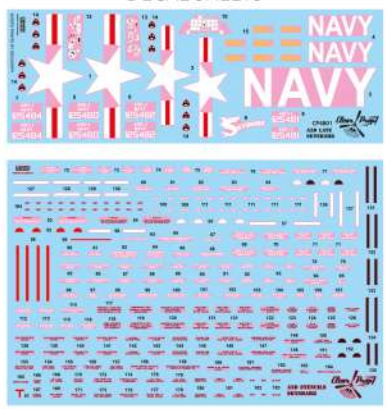




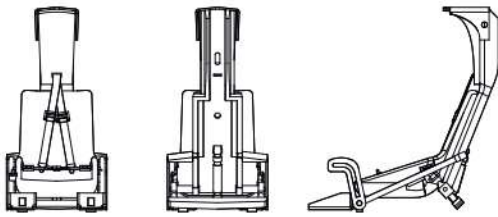
PHOTOETCHED PARTS



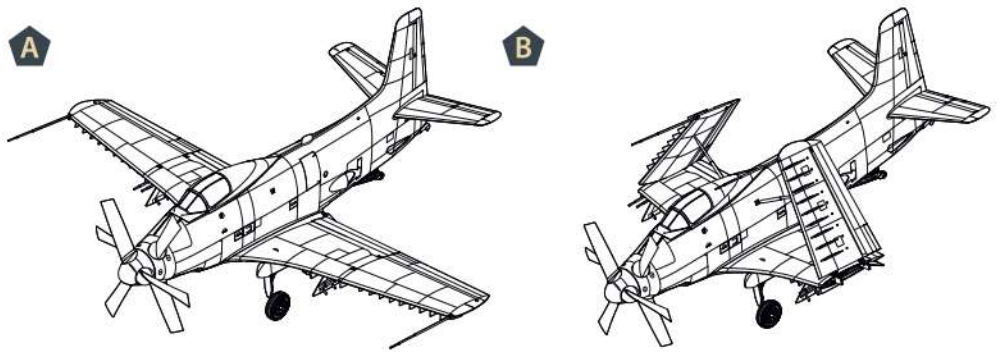
DECAL SHEETS

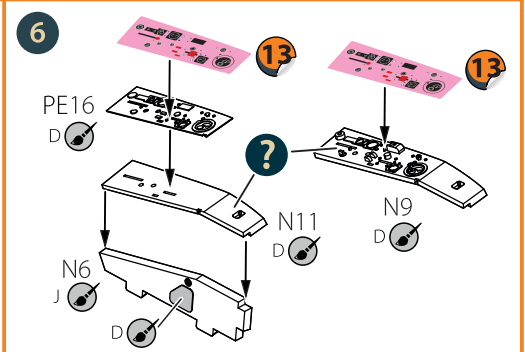
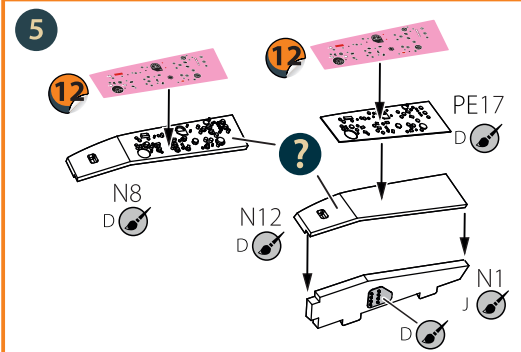
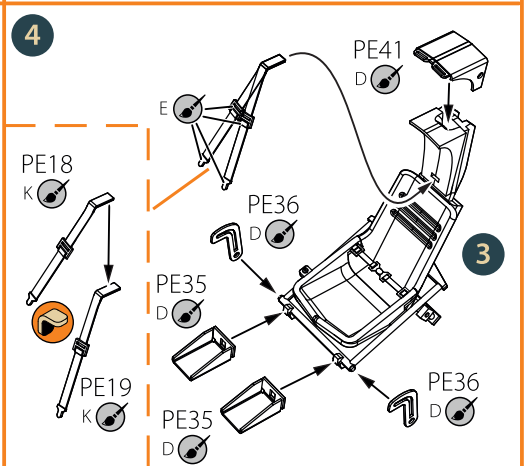
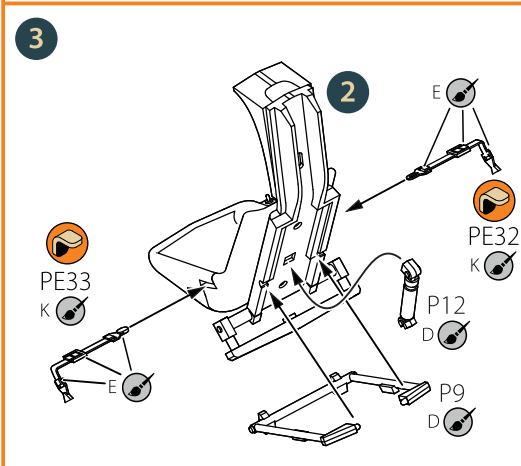
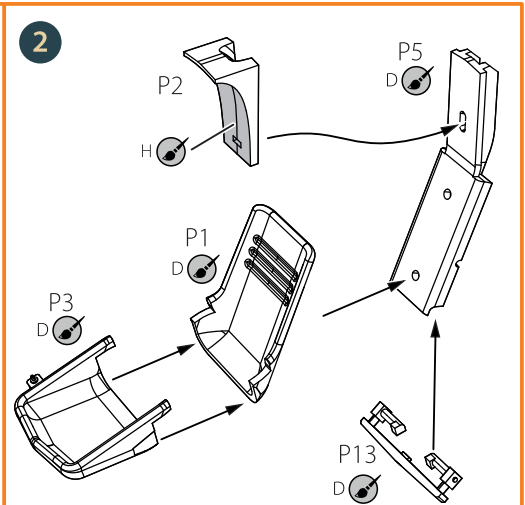
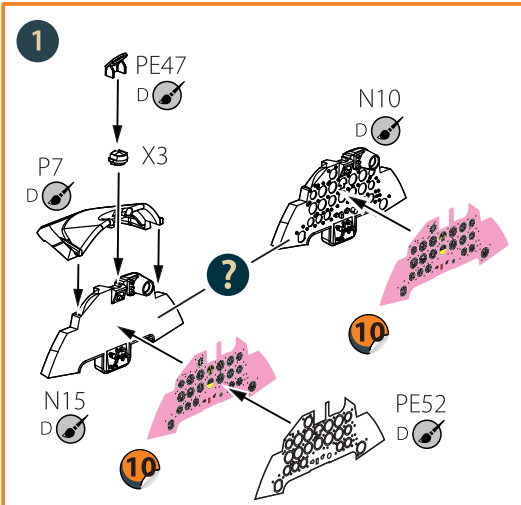


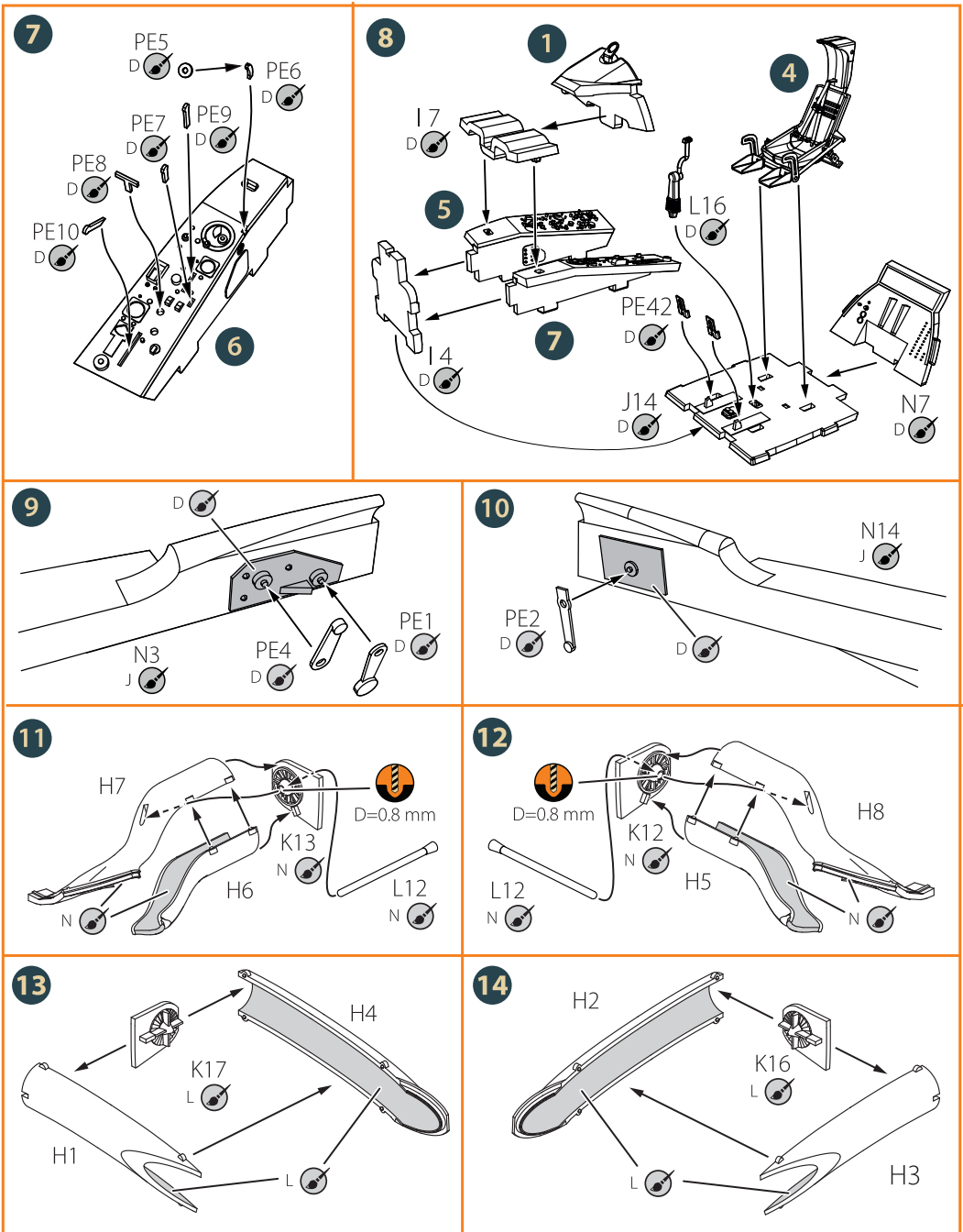
CORRECT POSITION OF EJECTION SEAT PARTS

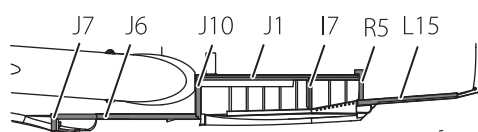
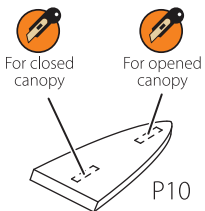
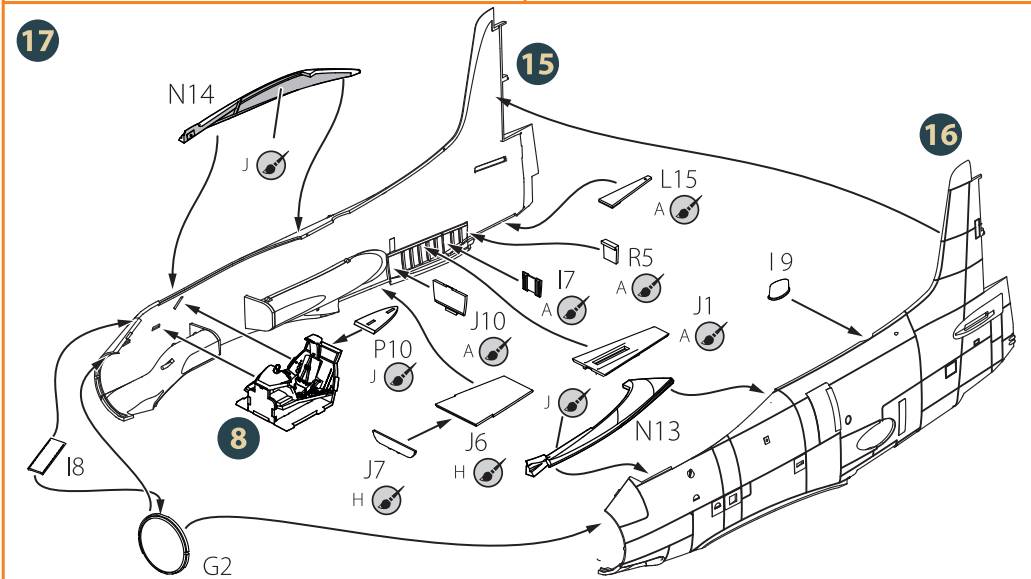
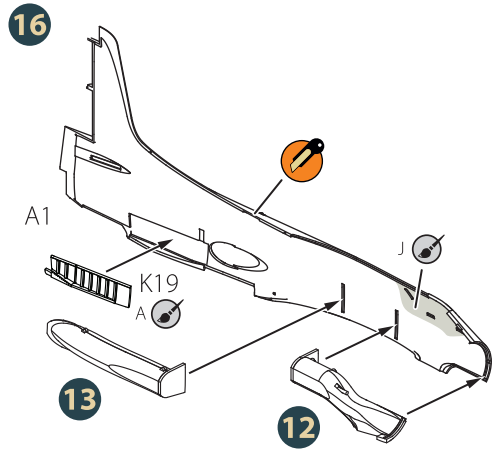
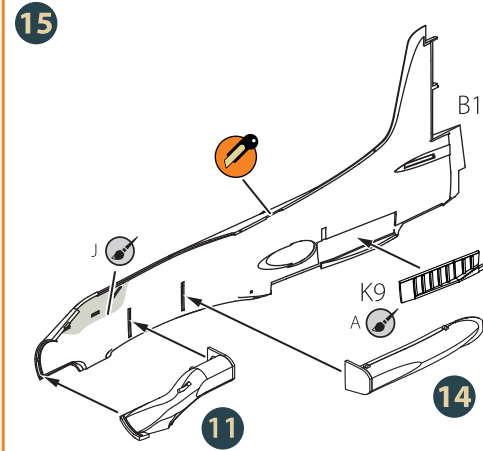


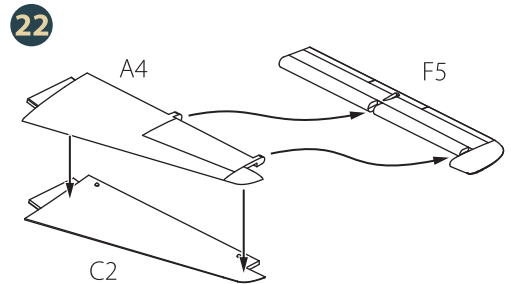
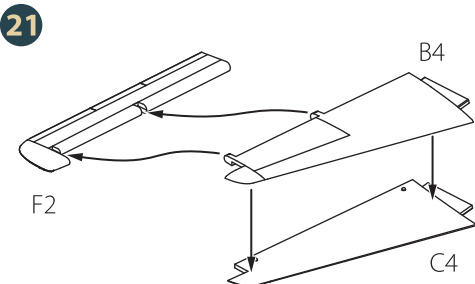
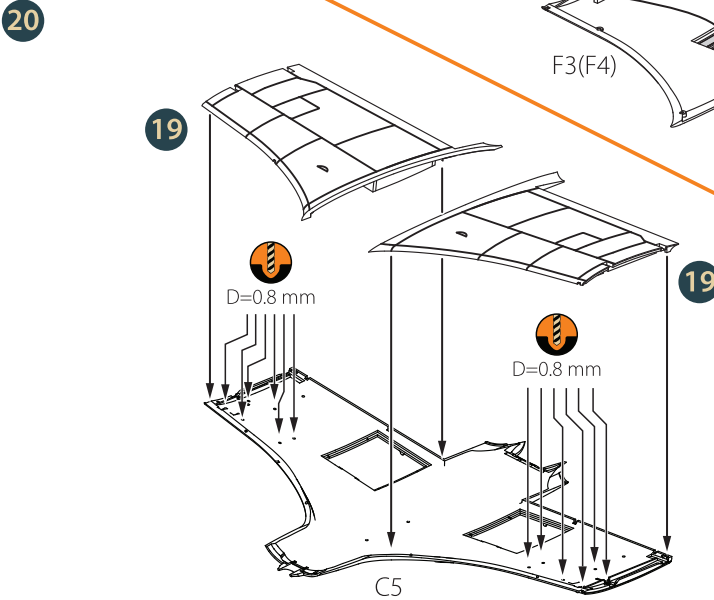
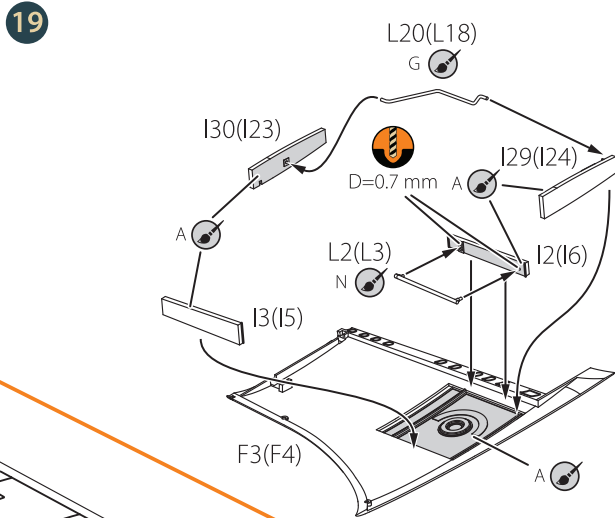
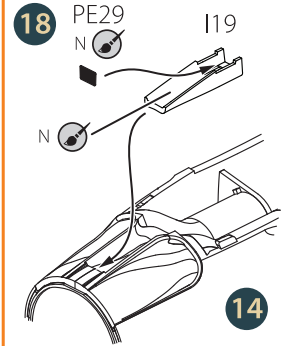
VARIANTS OF ASSEMBLY

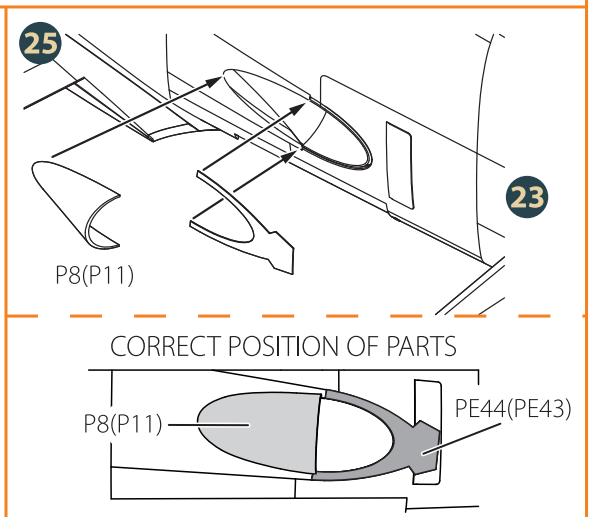
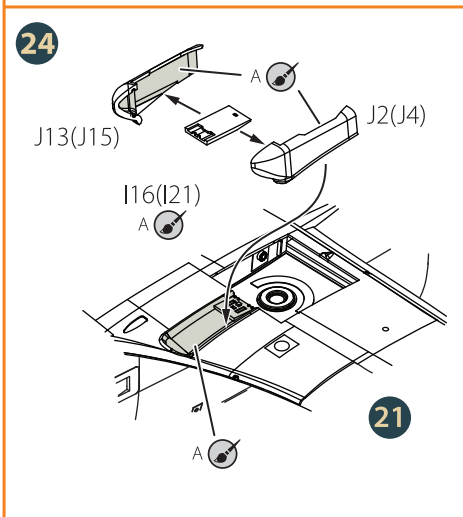
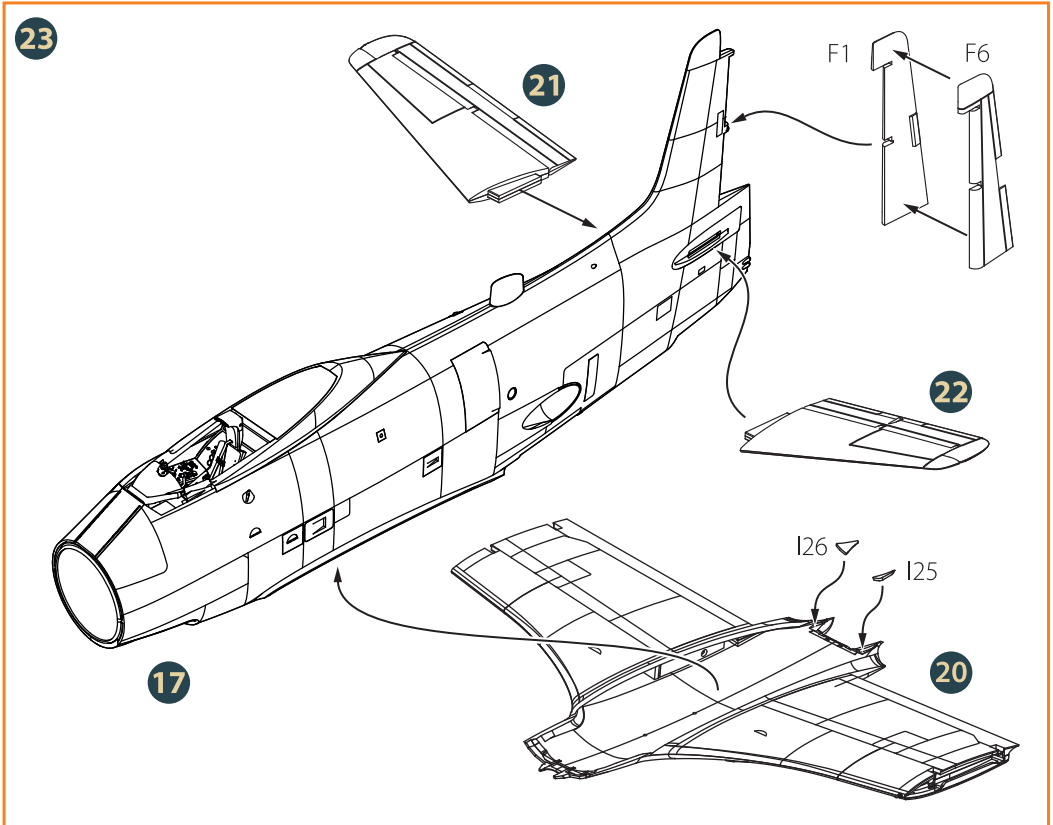




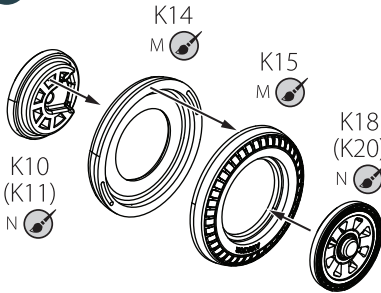




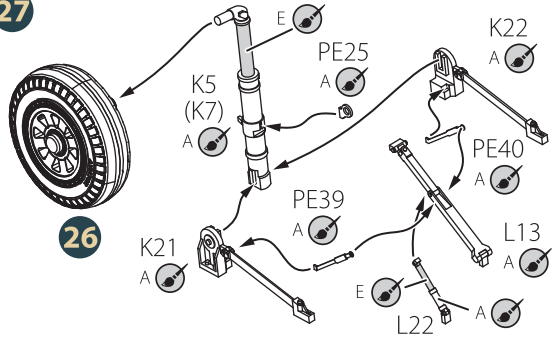




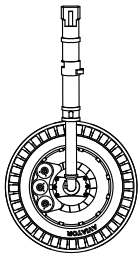
26



27

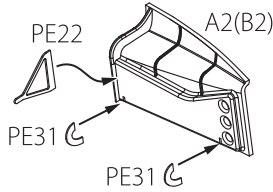


CORRECT POSITION
OF MAIN WHEEL ON
LANDING GEAR

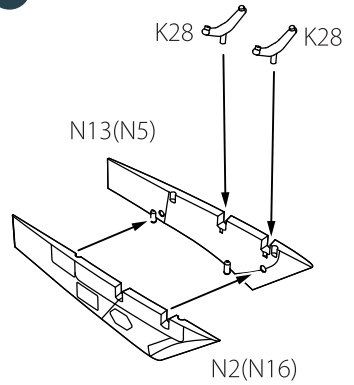


FLIGHT DIRECTION

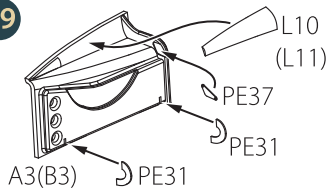
28



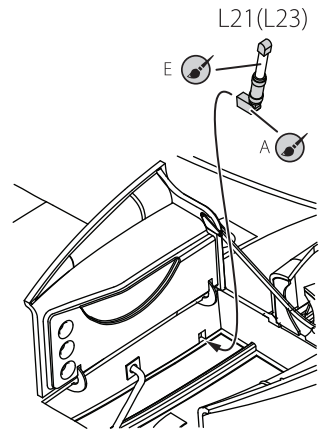
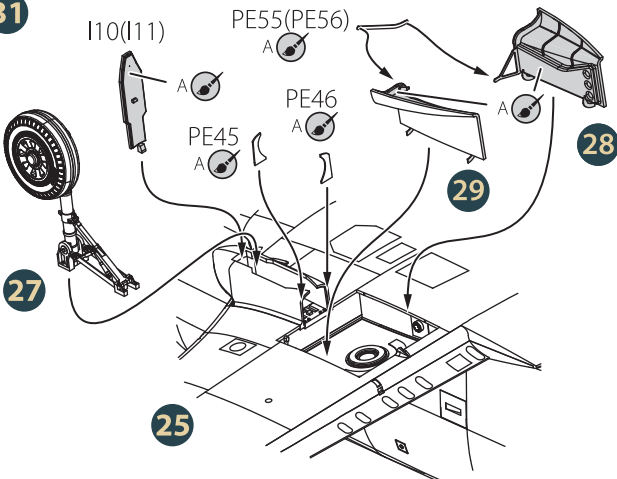
30

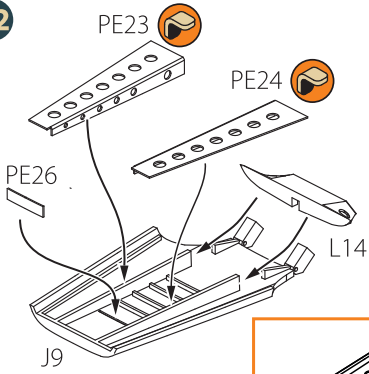
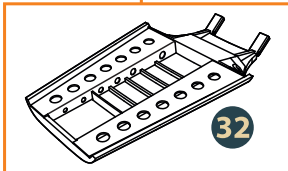
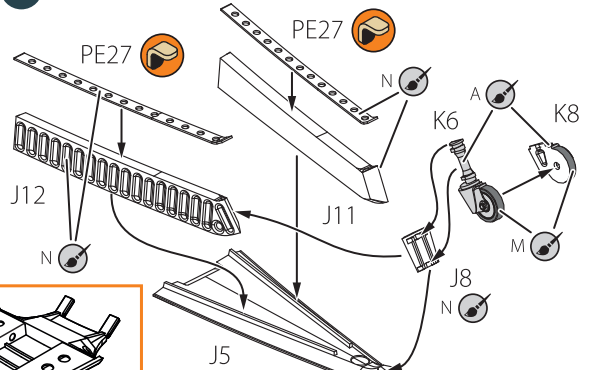
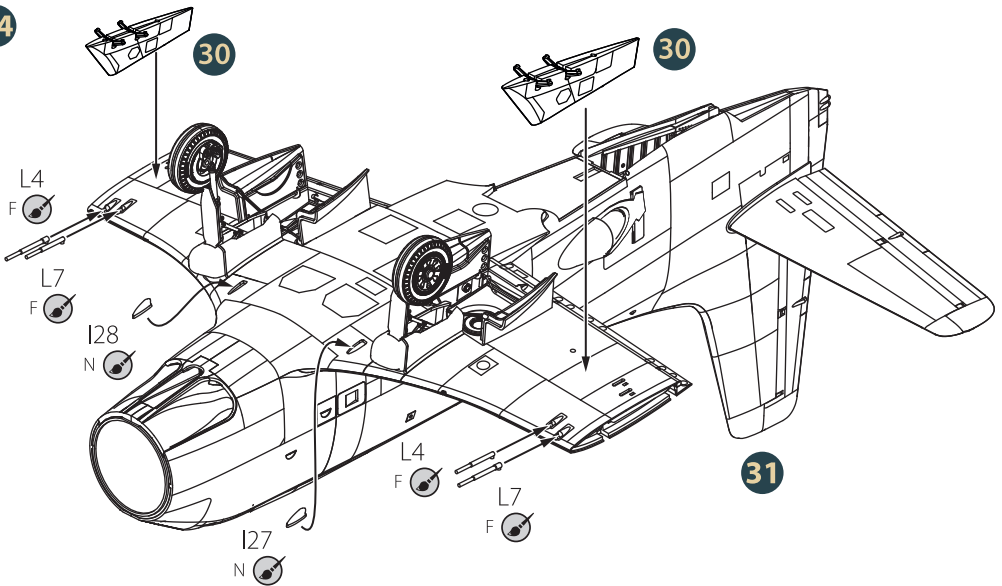
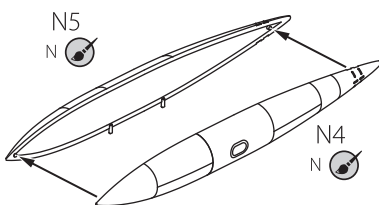
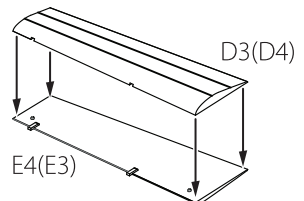


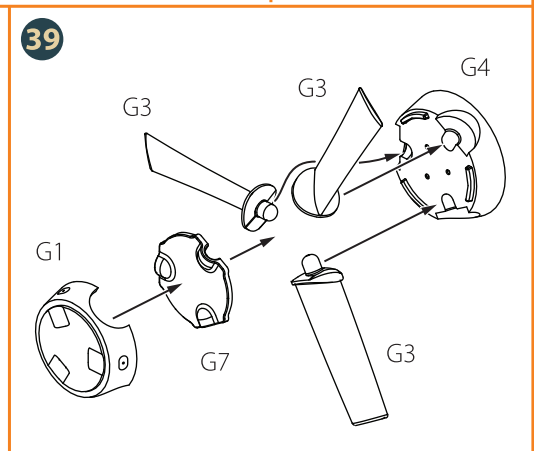
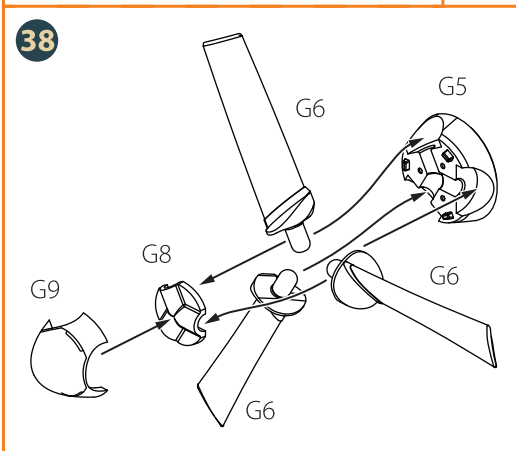
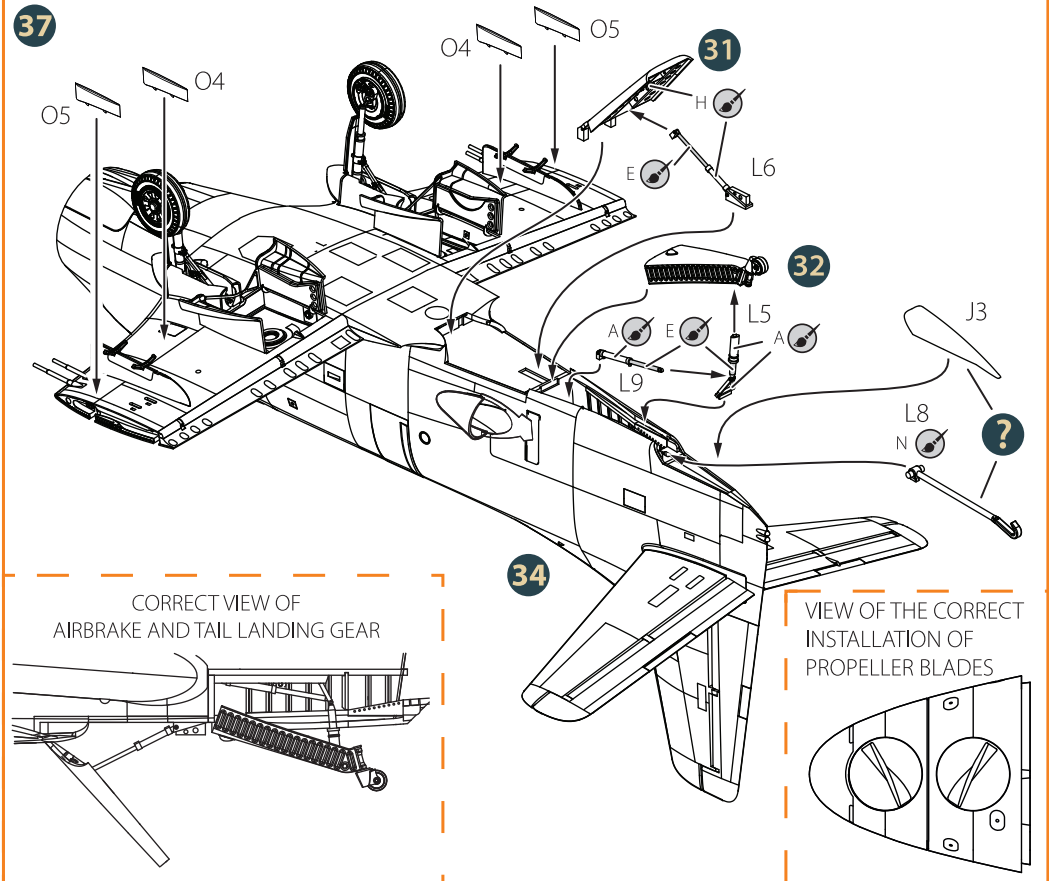
29

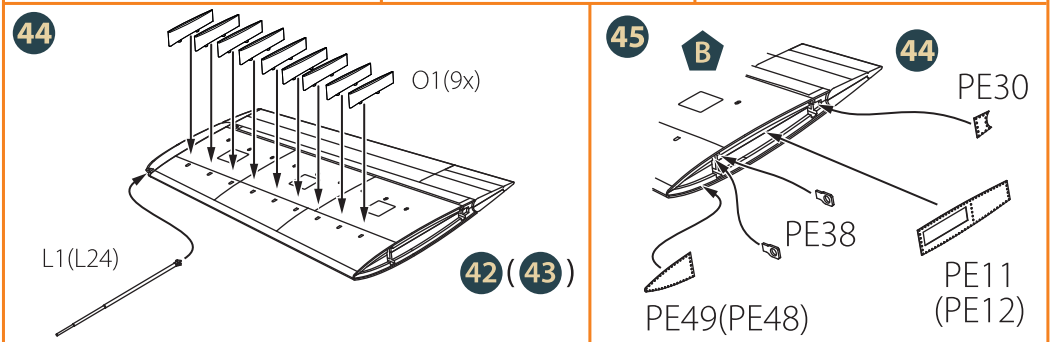
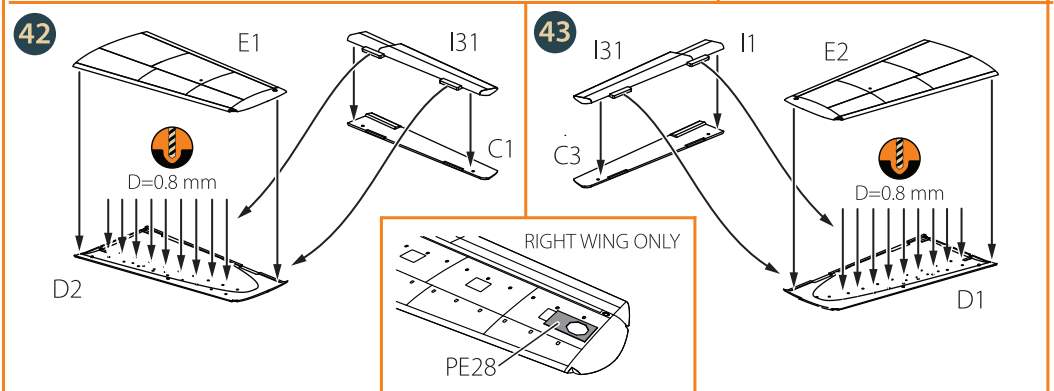
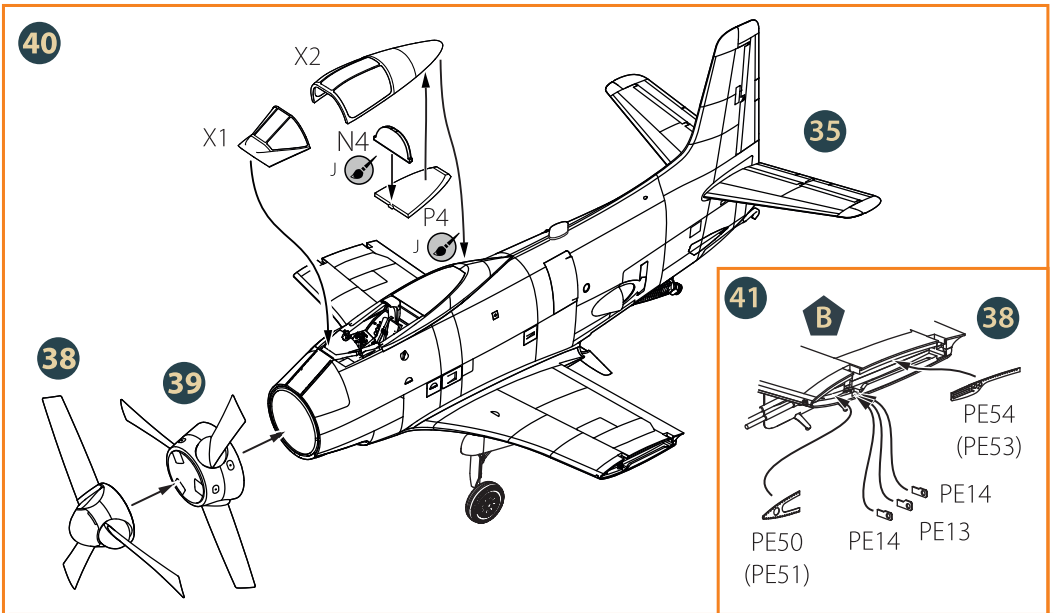


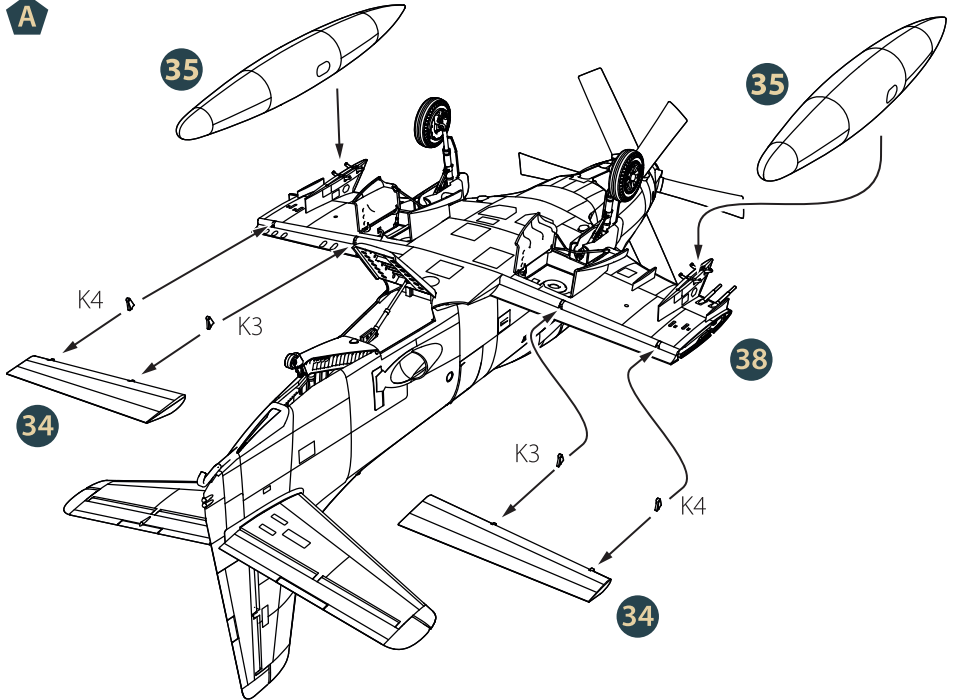
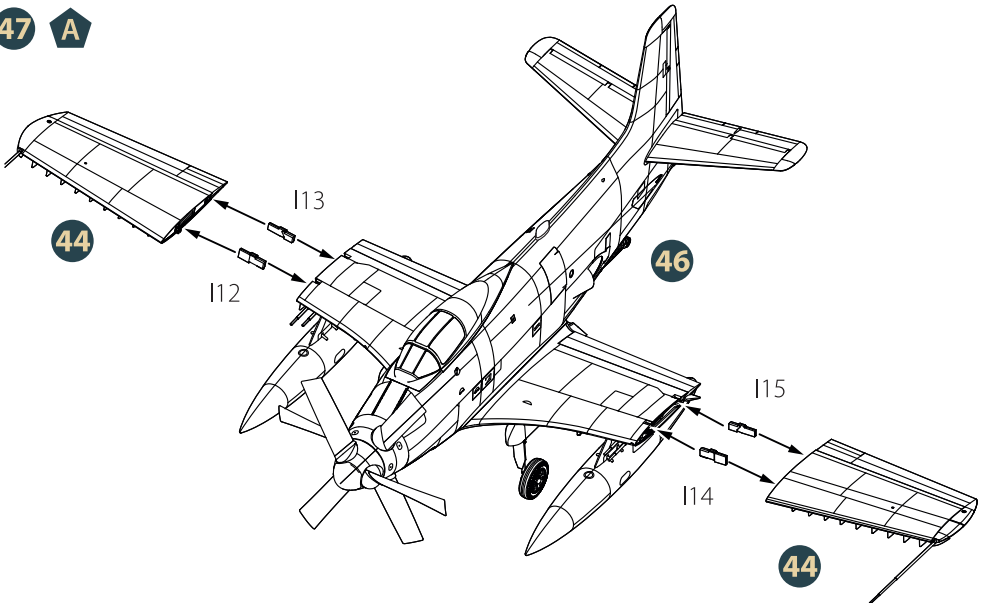
31



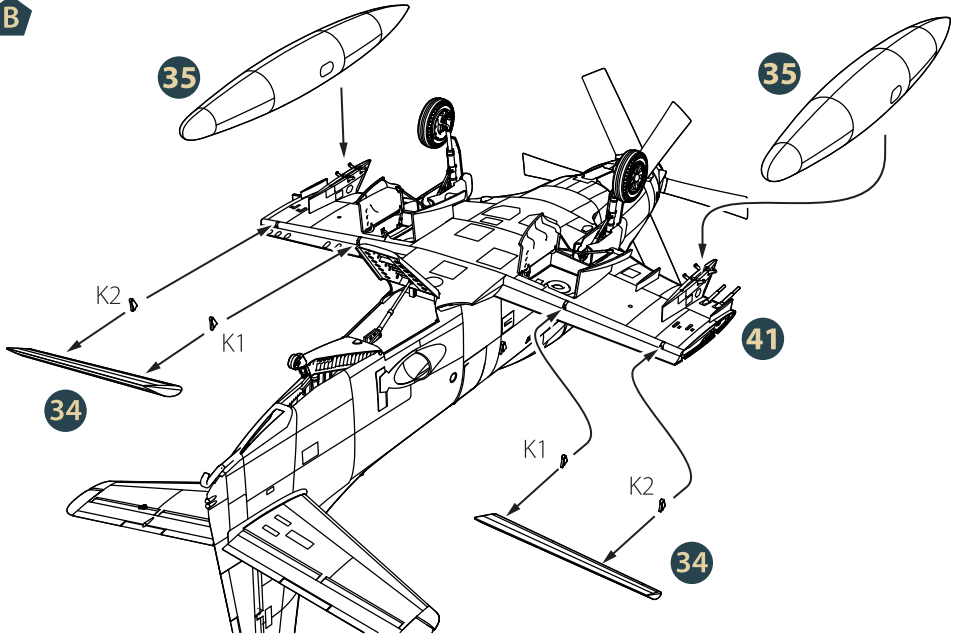
32

33

34

35
2

36




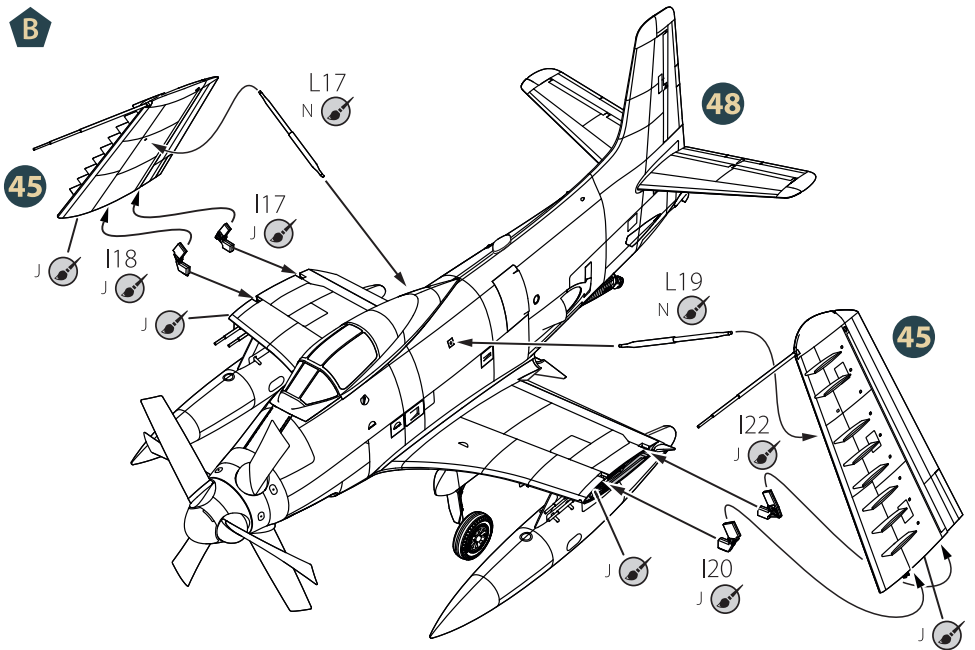


46 **A**

47 **A**


48 B



49 B





A.MIG-0227
NAVY BLUE



A.MIG-0194
ALUMINIUM



A.MIG-0125
INSIGNIA YELLOW BLACK



A.MIG-0046
POLISHED STEEL



A.MIG-0191
GUN METAL



A.MIG-0045
YELLOW



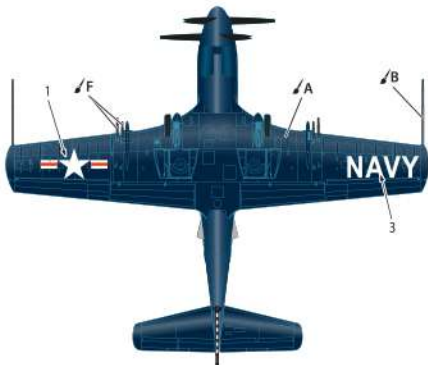
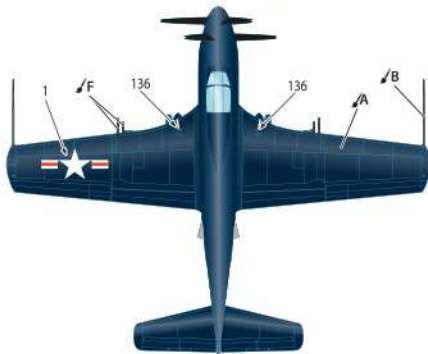
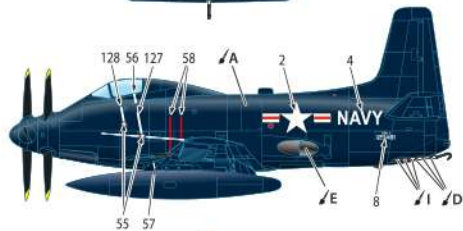
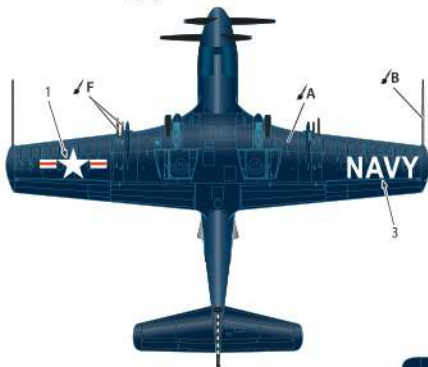
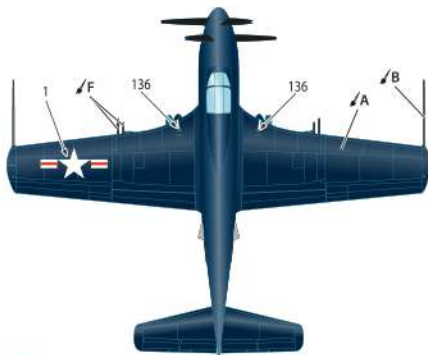
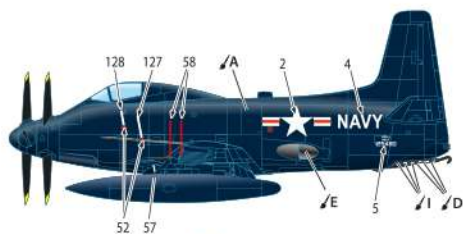
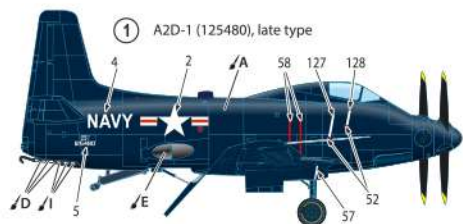
A.MIG-0048
RED



A.MIG-0049
WHITE



A.MIG-0047
WHITE




 A.MIG-0227
NAVY BLUE

 A.MIG-0194
ALUMINIUM

 A.MIG-0125
INSIGNIA YELLOW BLACK

 A.MIG-0191
POLISHED STEEL

 A.MIG-0045
GUN METAL

 A.MIG-0048
YELLOW

 A.MIG-0049
RED

 A.MIG-0047
WHITE
