

Clear Prop!

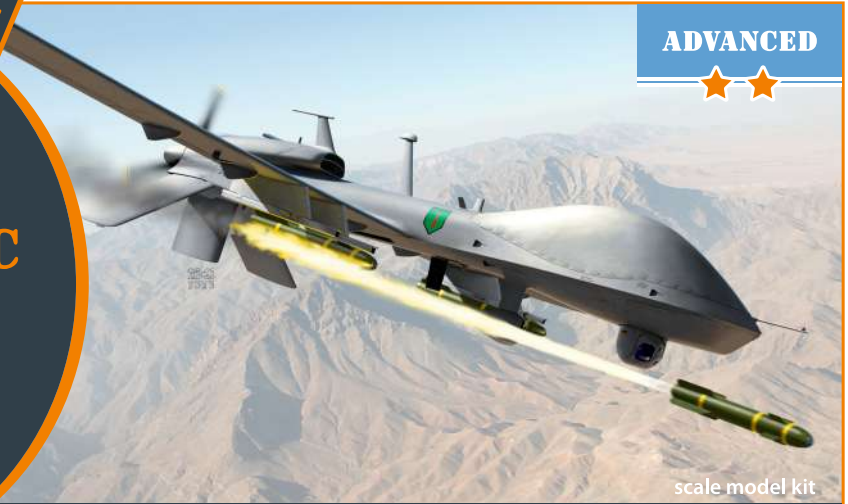
ADVANCED



# MQ-1C UAV

## 1:48

model # CP4808



scale model kit

SPAN: 356.1 mm



LENGHT: 168.8 mm



NUMBER OF PARTS: 113pcs

- 1** stages of assembly  optional
- A** variants of assembly  glue by super glue
- A1** part number  do not glue
-  fill with putty  make a hole
- 1** apply decals  detach with knife
-  apply the adhesive mask  paint
-  bend  repeat the operation N times

Crew: Unmanned  
 Capacity: 360 kg (800 lb)  
 Length: 28 ft 0 in (8.53 m)  
 Wingspan: 56 ft 0 in (17 m)  
 Height: 6 ft 11 in (2.1 m)  
 Max takeoff weight: 3,600 lb (1,633 kg)

The General Atomics MQ-1C Gray Eagle is a medium-altitude, long-endurance (MALE) unmanned aircraft system (UAS). It was developed by General Atomics Aeronautical Systems for the United States Army as an upgrade of the General Atomics MQ-1 Predator. Gray Eagle has an increased wingspan and is powered by a Thielert Centurion 1.7 Heavy Fuel Engine. This is a Diesel piston engine that burns jet fuel, giving the aircraft better performance at high altitudes. It can operate for 36 hours at altitudes up to 25,000 feet (7,600 m), with an operating range of 200 nautical miles (370 km). The aircraft can carry a payload of 800 pounds (360 kg) and may be armed with weapons such as AGM-114 Hellfire and AIM-92 Stinger missiles. all General characteristics

### REQUIRED PAINTS



**A** MR. COLOR 308  
A.MIG-0211  
GREY



**B** MR. COLOR 125  
A.MIG-0046  
BLACK



**C** MR. COLOR 137  
A.MIG-0033  
TIRE BLACK



**D** MR. COLOR 12  
A.MIG-0927  
OLIVE DRAB



**E** MR. COLOR 4  
A.MIG-0048  
BROWN



**F** MR. COLOR 8  
A.MIG-0191  
STEEL



**G** MR. COLOR MC214  
A.MIG-0187  
DARK IRON



**H** MR. COLOR 306  
A.MIG-0211  
GREY



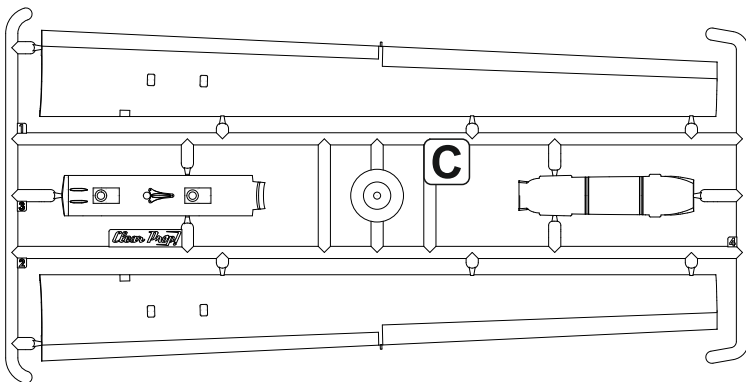
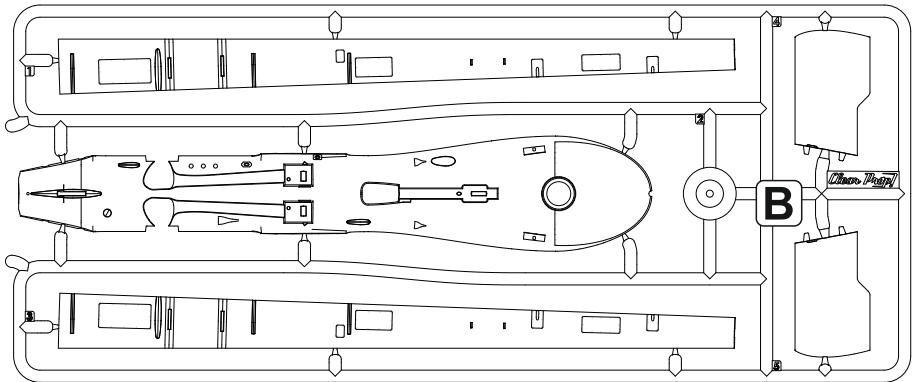
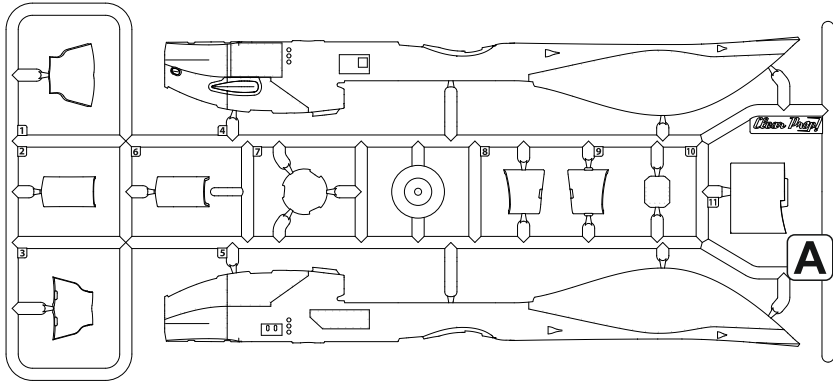
**T** A.MIG-0093  
MR. COLOR C47  
RED CRYSTAL



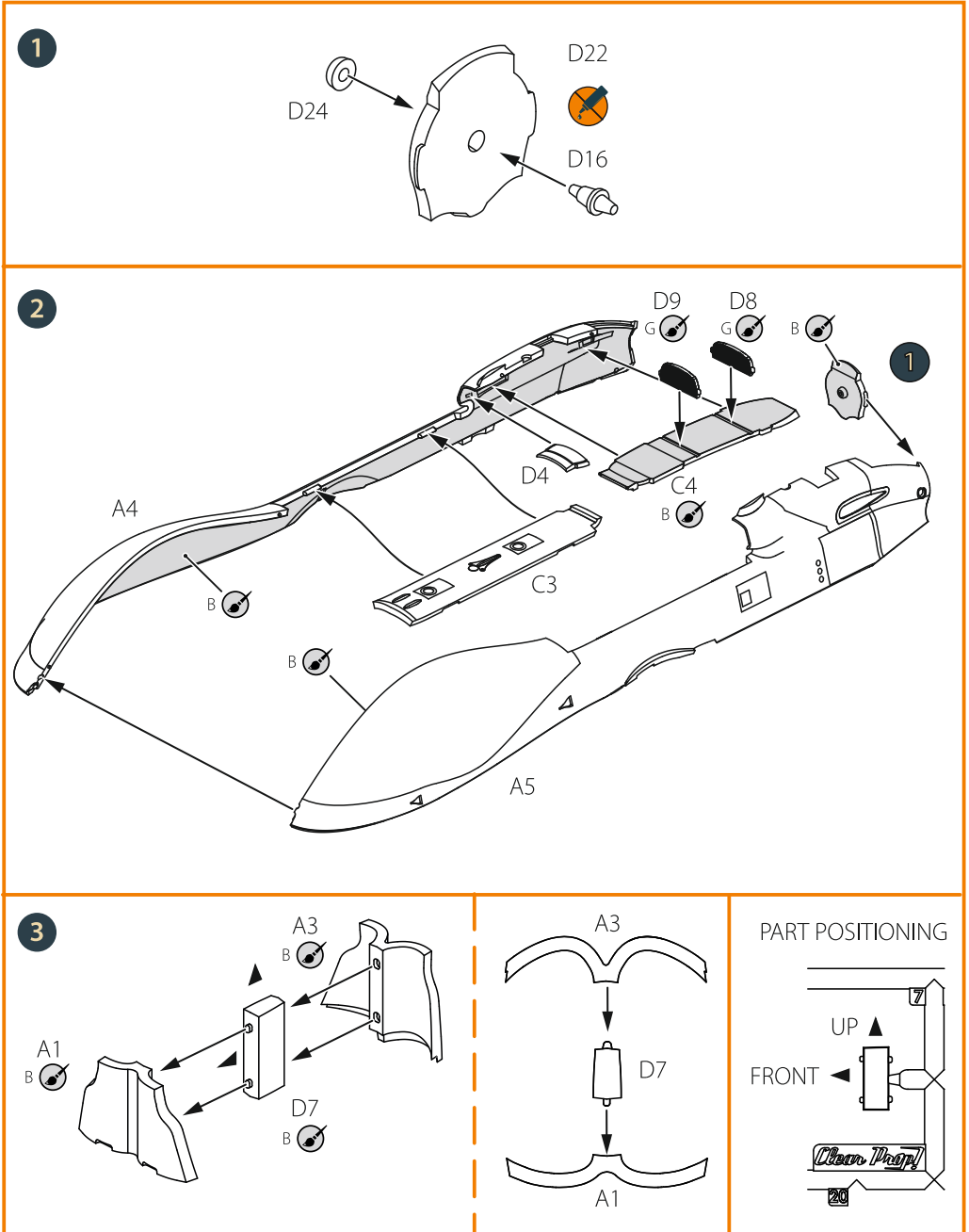
**U** A.MIG-0092  
MR. COLOR C138  
GREEN CRYSTAL

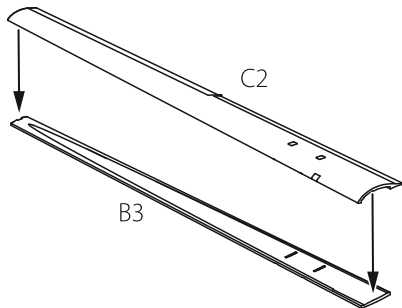
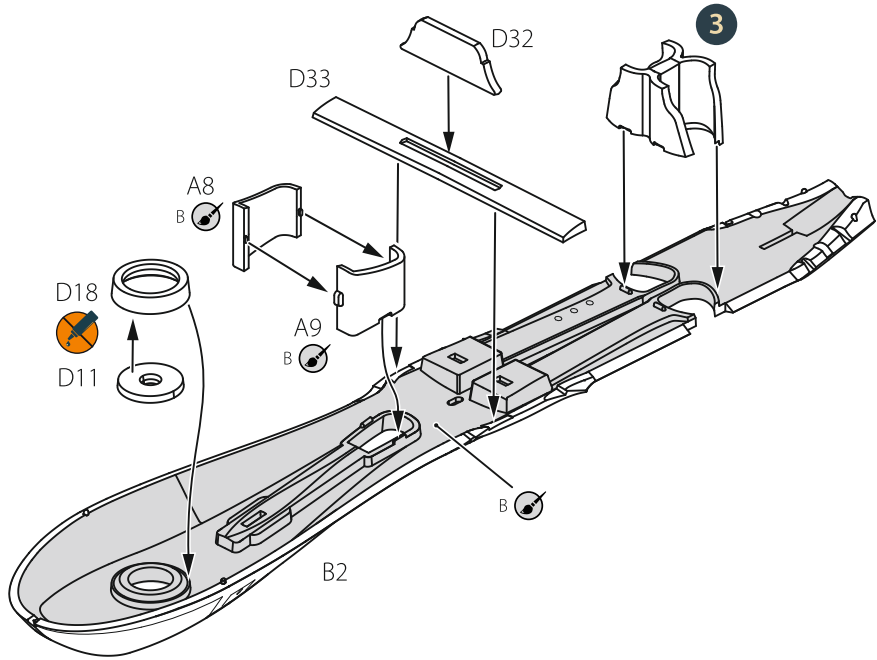
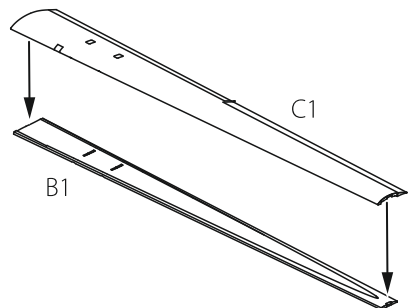


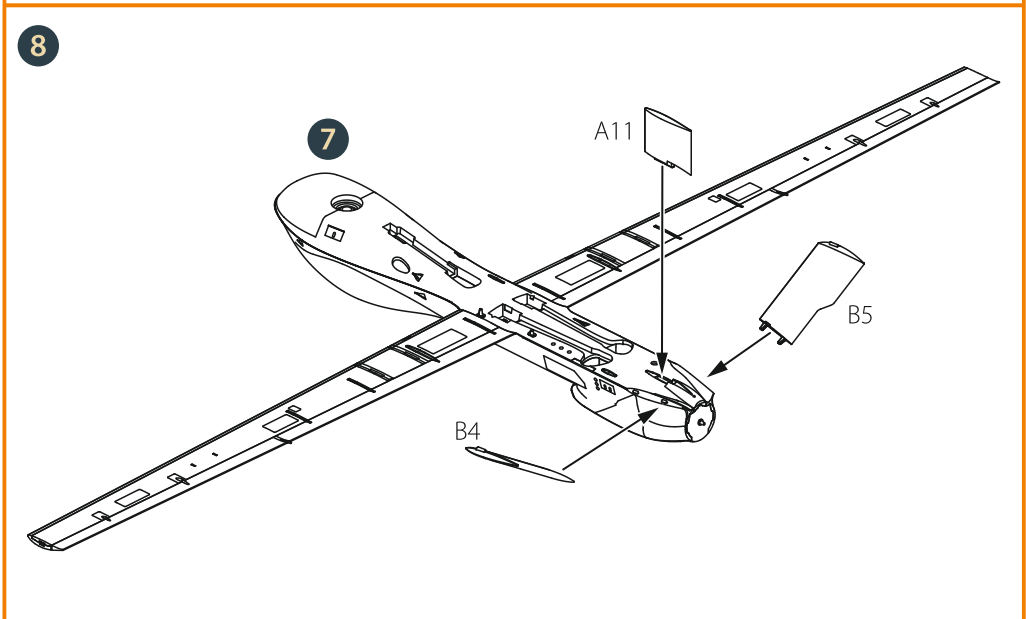
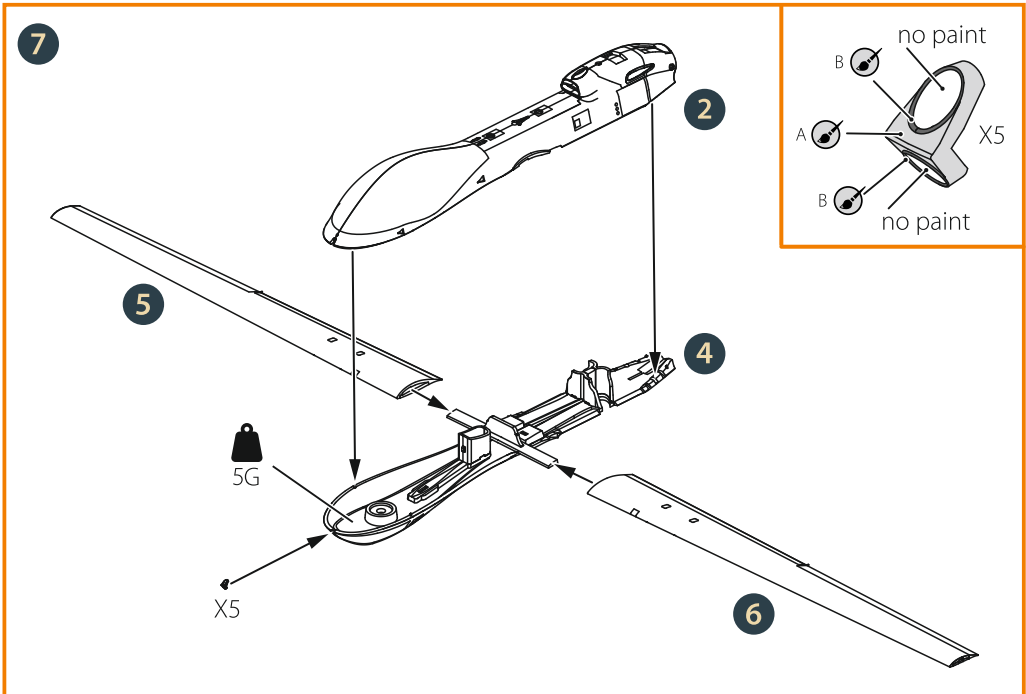
THIS MODEL IS PRODUCED FOR EXPERIENCED MODELERS OVER 14 YEARS

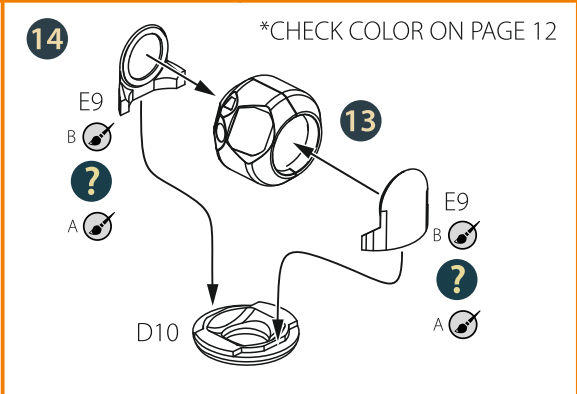
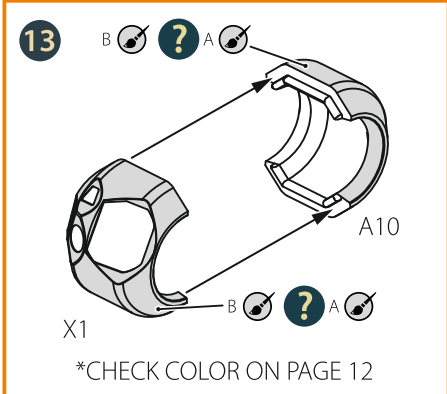
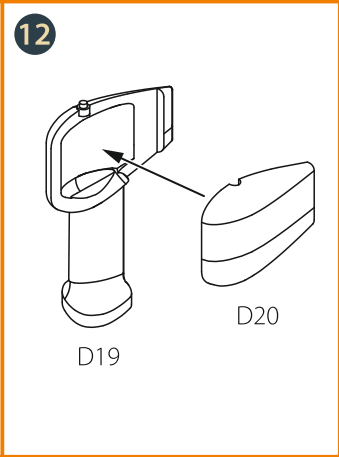
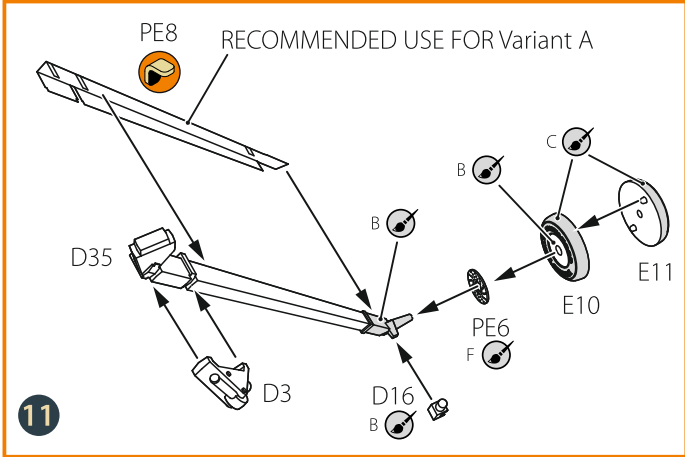
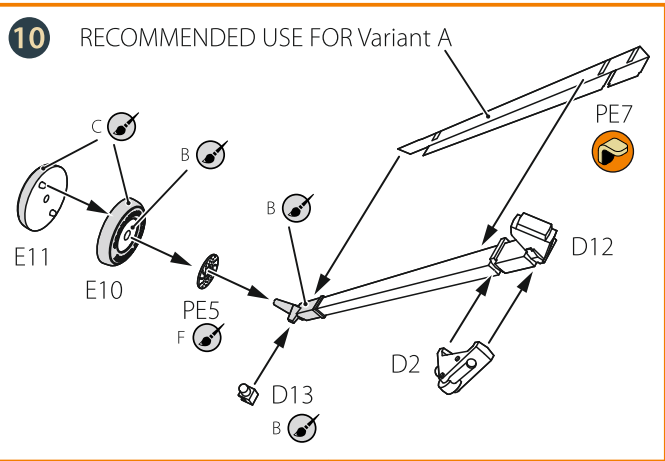
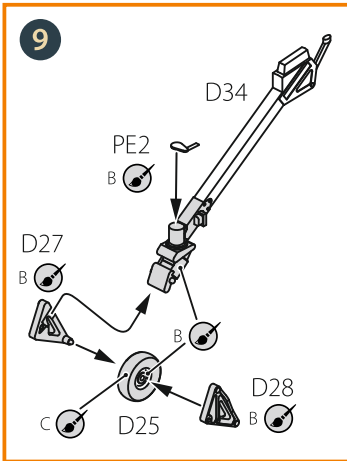


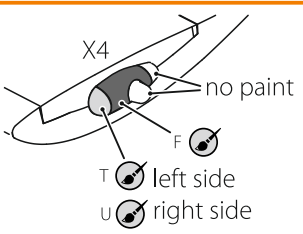
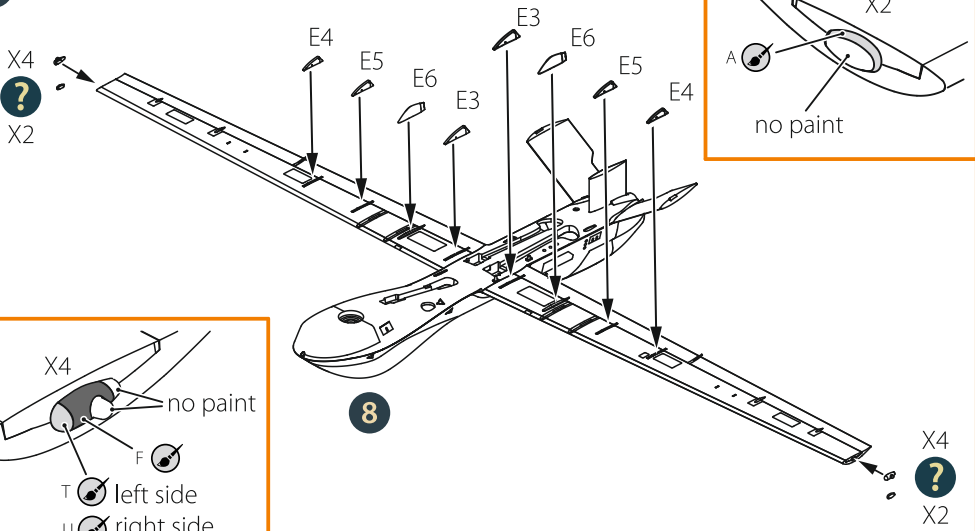
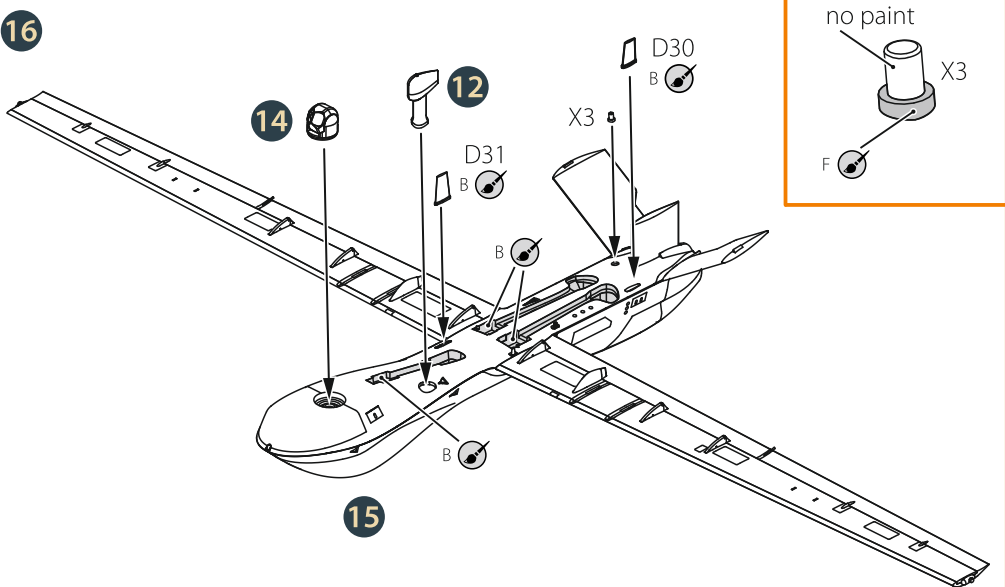




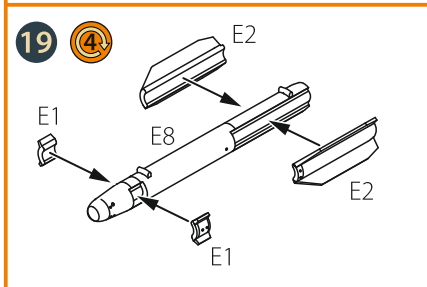
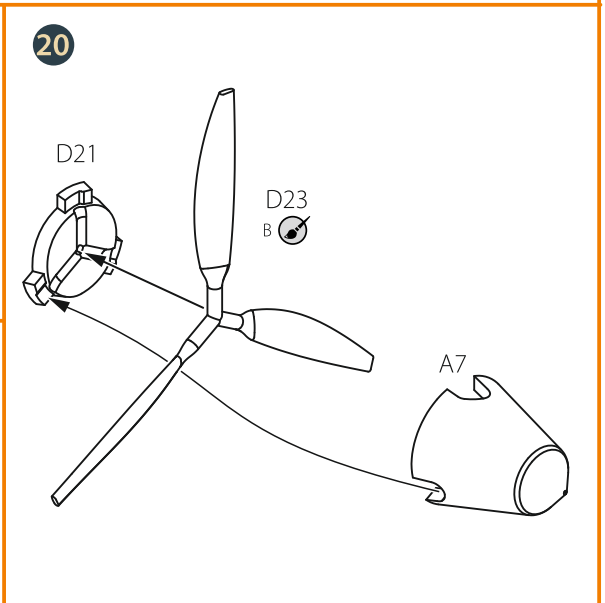
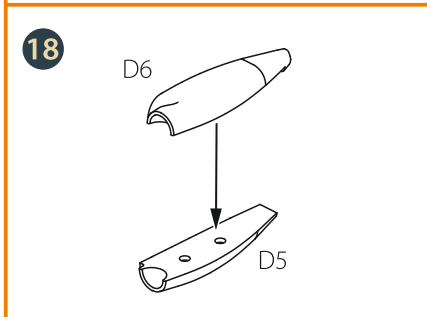
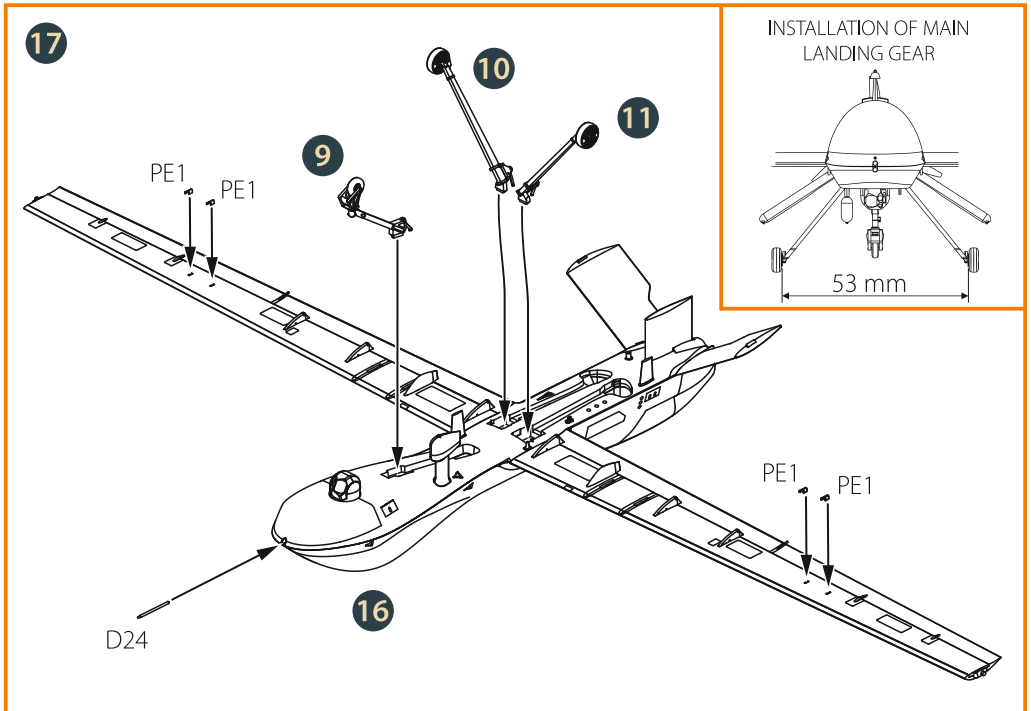
**4****5****6**



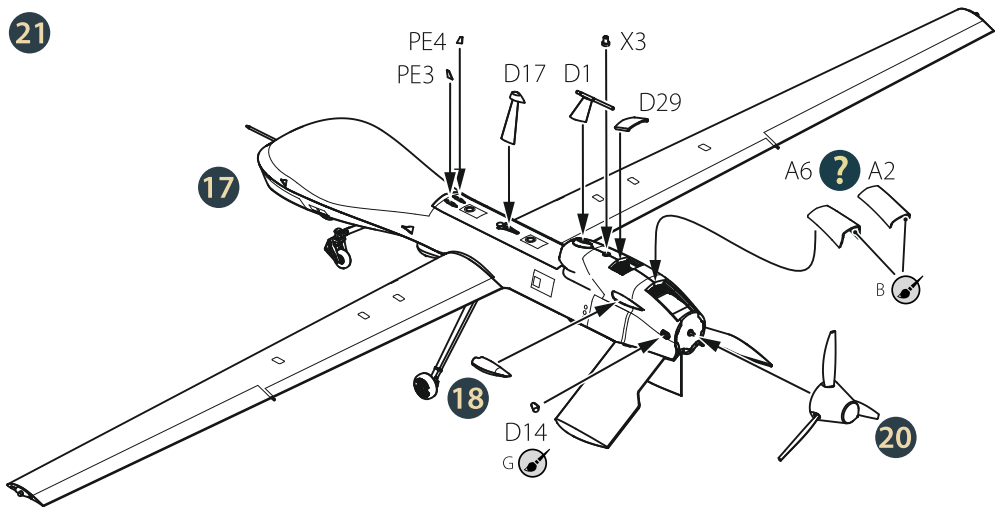


**15**

**16**


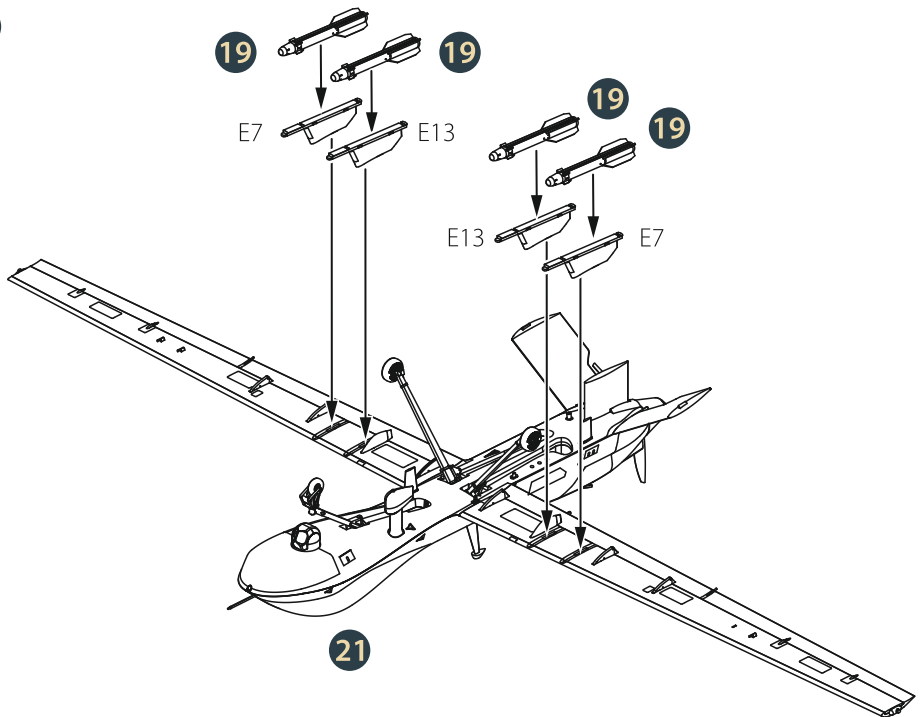




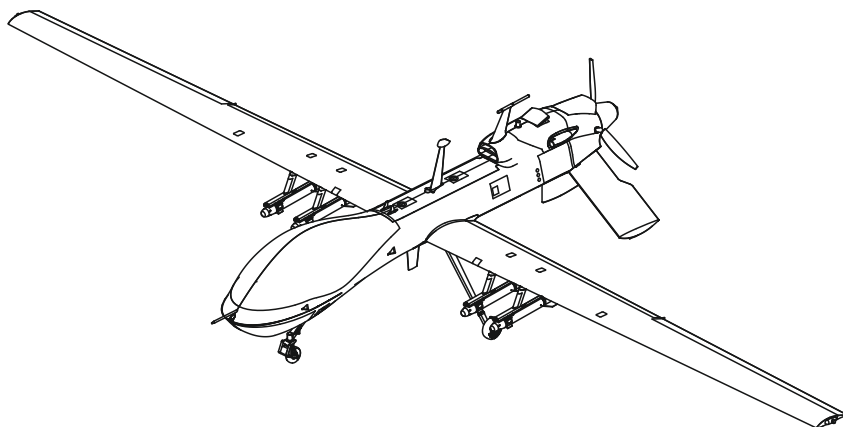
21



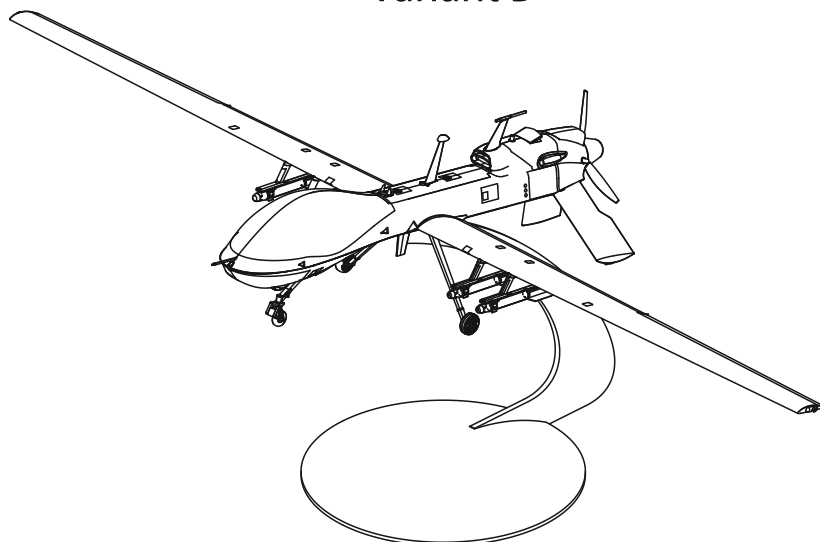
22



## Variant A



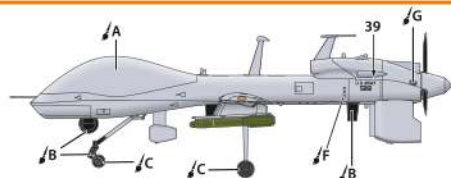
## Variant B



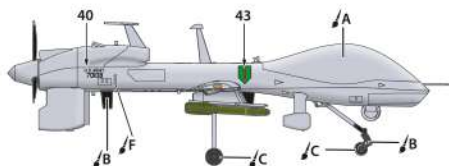
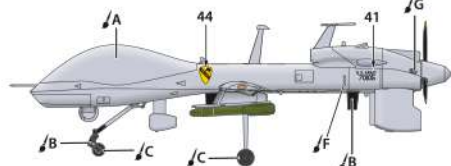
Model stand CPA72100 is not included in the kit



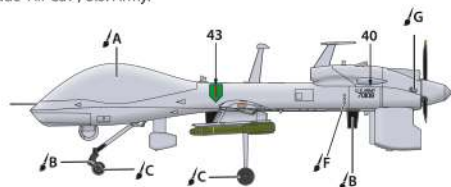
MQ-1C Grey Eagle 51161, U.S. Army, 2019.



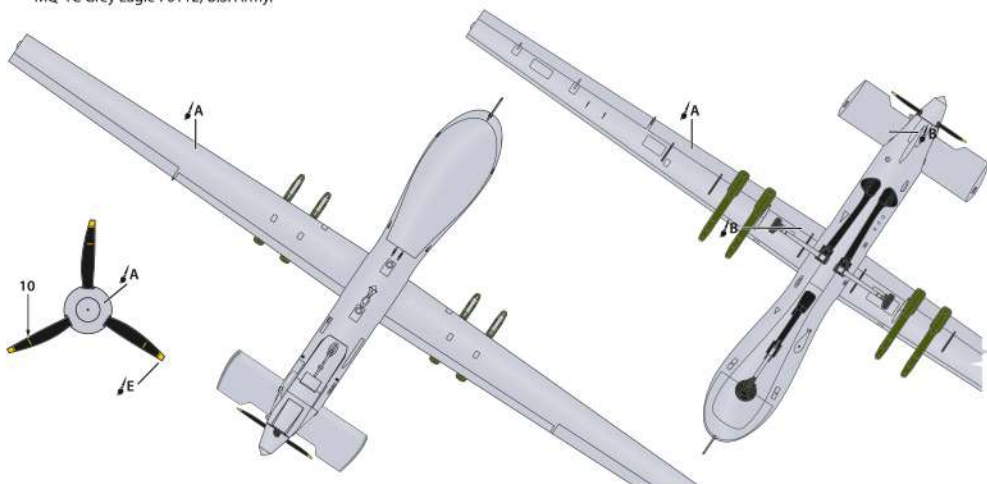
MQ-1C Grey Eagle 70105, 227th Aviation Regiment, 1st Air Cavalry Brigade "Air Cav", U.S. Army.

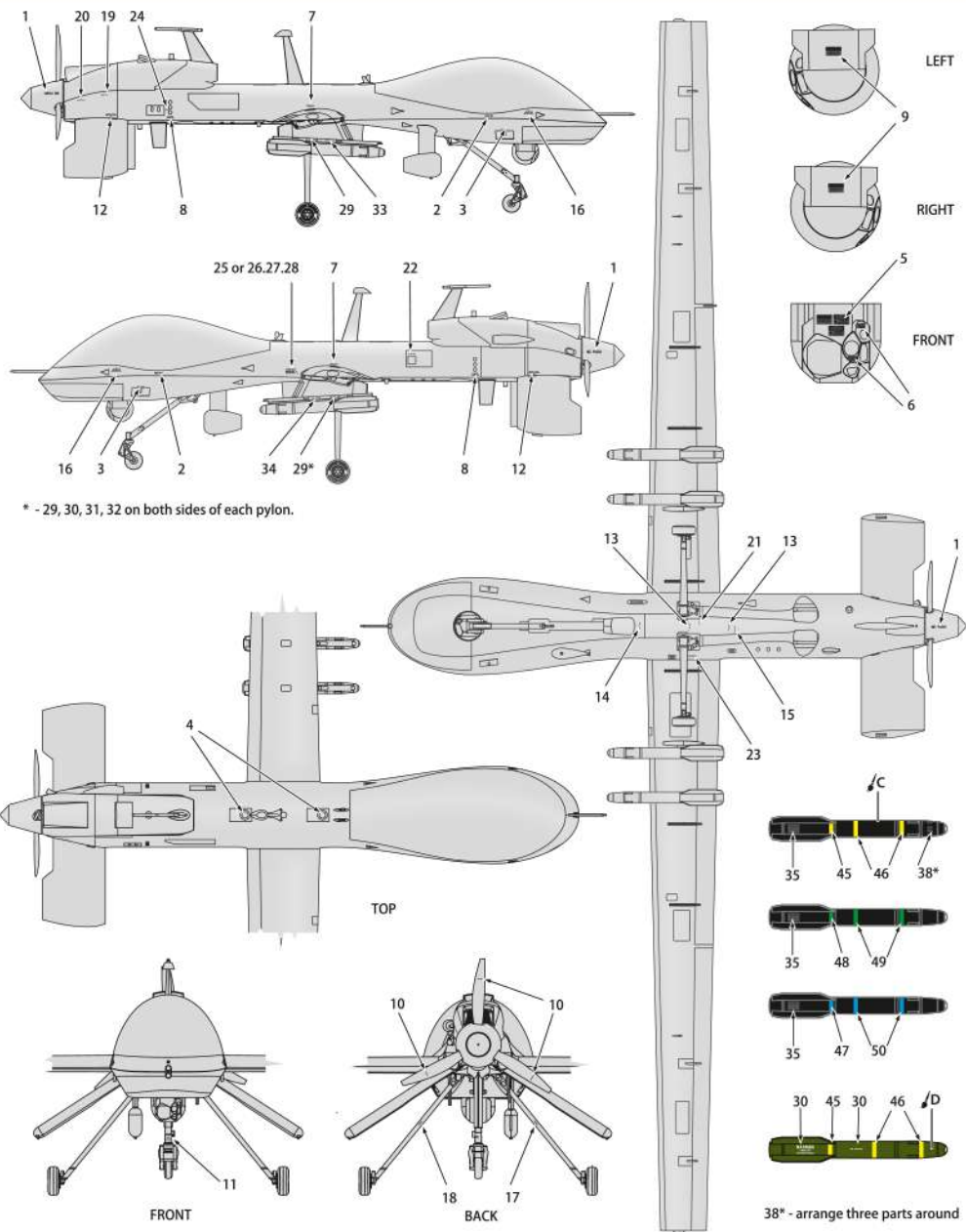


MQ-1C Grey Eagle 70108, U.S. Army.



MQ-1C Grey Eagle 70112, U.S. Army.







**VISIT OUR SITE FOR MORE SCALE MODEL KITS**

**clearpropmodels.com**



[sales@clearpropmodels.com](mailto:sales@clearpropmodels.com)



[www.fb.com/Clearpropmodels](https://www.facebook.com/Clearpropmodels)