

Clear Prop!

STARTER



TB2 UNMANNED AERIAL VEHICLE

1:48
model # CP4809



scale model kit

SPAN: 250.9 mm



LENGTH: 145.8 mm



NUMBER OF PARTS: 135 pcs

- stages of assembly
- variants of assembly
- A1** part number
- separate details
- apply decals
- apply the adhesive mask
- bend
- optional
- glue by super glue
- do not glue
- make a hole
- detach with knife
- paint
- repeat the operation N times

Role	Unmanned combat aerial vehicle
National origin	Turkey
Manufacturer	Baykar
First flight	August 2014
Status	In service
Number built	more than 300

The Bayraktar TB2 is a medium-altitude long-endurance (MALE) unmanned combat aerial vehicle (UCAV) capable of remotely controlled or autonomous flight operations. It is manufactured by the Turkish company Baykar Makina Sanayi ve Ticaret A.Ş., primarily for the Turkish Armed Forces. The aircraft are monitored and controlled by an aircrew in a ground control station, including weapons employment. The development of the UAV has been largely credited to Selçuk Bayraktar, a former MIT graduate student.

The Bayraktar TB2 platform has a blended wing body design with an inverted V-tail structure. Thrust is generated by a variable pitch two-blade propeller in pusher configuration. The propeller is mounted between the tail booms and driven by an internal combustion engine located in the body. The monocoque platform is modular with detachable main items such as wing, tail boom, and V-tails. Fuselage pieces are made mostly of carbon fiber composite with machined aluminum parts at joints. Fuel is stored within bladder tanks and fuel consumption is balanced with solenoid valves.

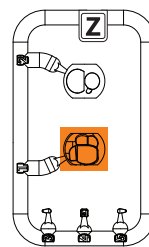
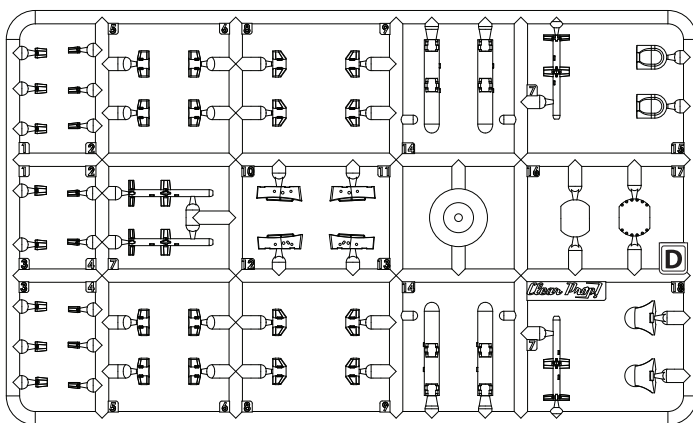
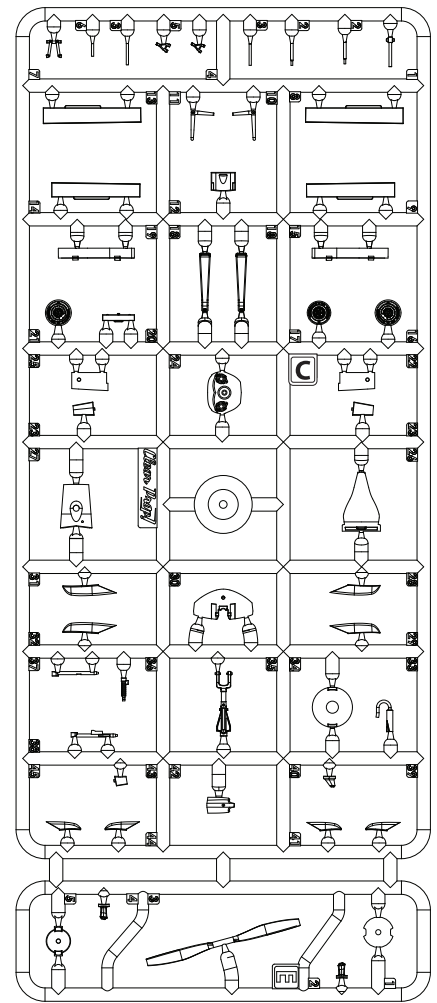
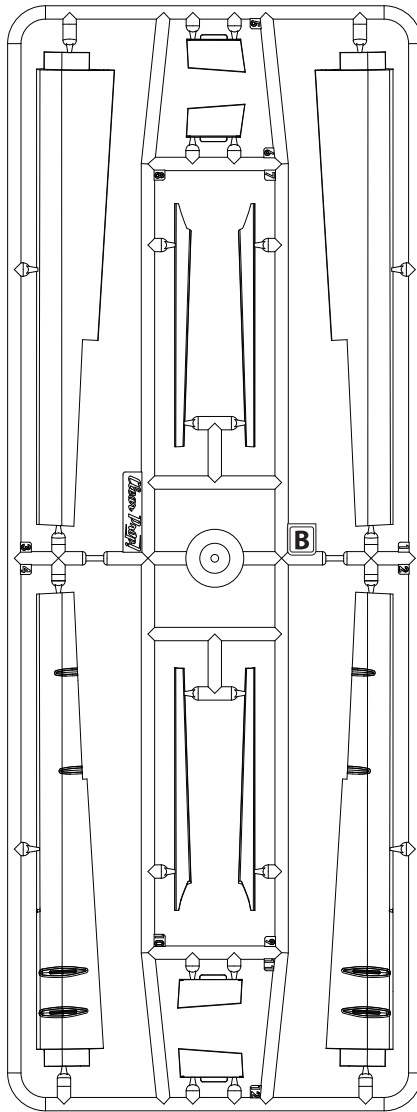
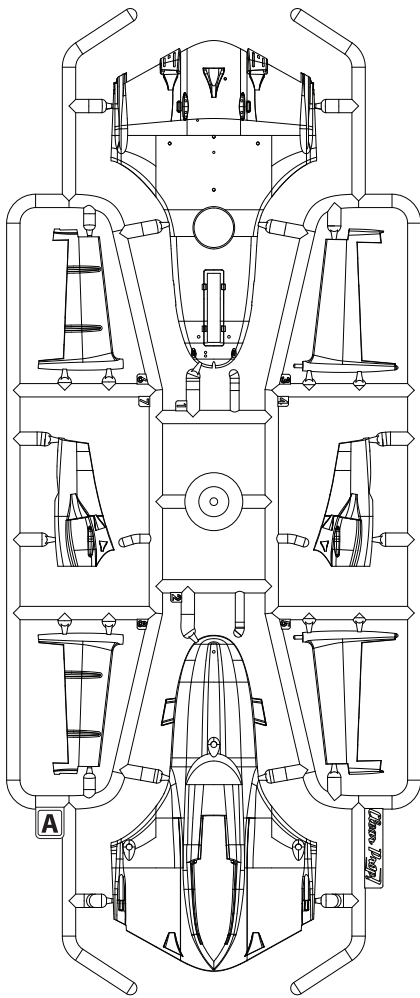
As of November 2021, the TB2 drone had completed 400,000 flight-hours globally. The largest operator of TB2 drones is the Turkish military but an export model has been sold to the militaries of a number of other countries. In the subsequent years, Bayraktar drones were deployed by a number of other nations around the world in various wars, such as by Azerbaijan in the 2020 Nagorno-Karabakh war and by Ukrainian forces during the 2022 Russian invasion of Ukraine.

REQUIRED PAINTS

- A** MR. COLOR 325 A.MIG-0241 GRAY
- B** MR. COLOR 31 A.MIG-0236 DARK GRAY
- C** MR. COLOR 1 A.MIG-0050 WHITE
- D** MR. COLOR 2 A.MIG-0046 BLACK
- E** MR. COLOR MC211 A.MIG-0192 POLISHED METAL
- F** MR. COLOR 61 A.MIG-0187 BURNT IRON
- G** MR. COLOR 8 A.MIG-0195 SILVER
- H** MR. COLOR 137 A.MIG-0033 TIRE BLACK
- I** MR. COLOR 35 A.MIG-0263 IJN GRAY



THIS MODEL IS PRODUCED FOR EXPERIENCED MODELERS OVER 14 YEARS

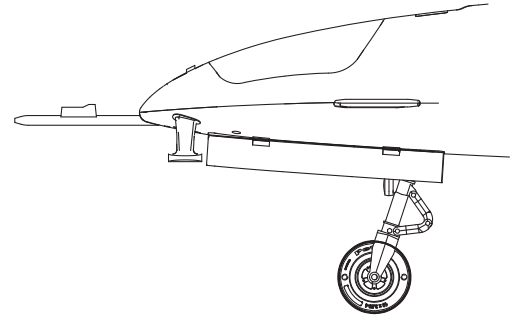


Parts not for use

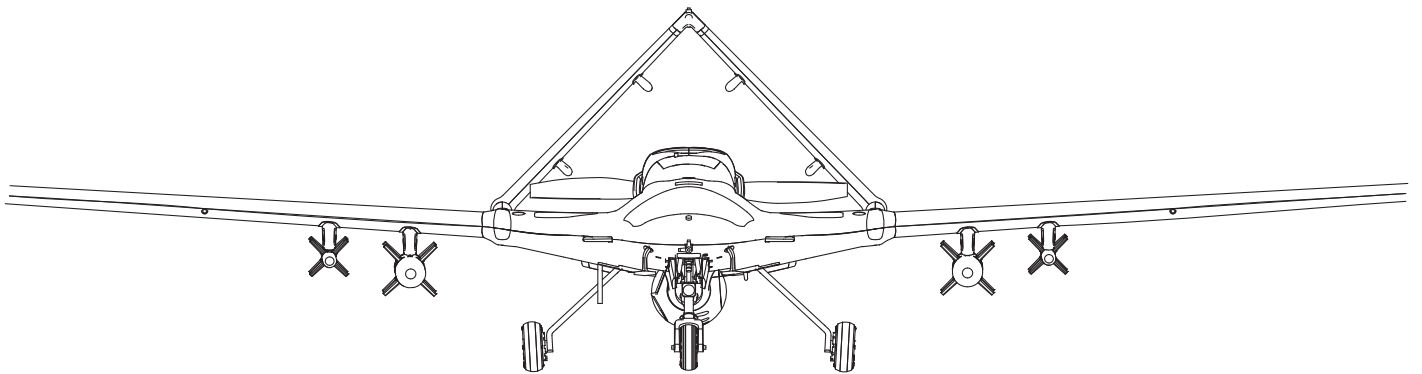
DECAL SHEET



CORRECT POSITION OF LANDING GEAR



CORRECT POSITION OF LANDING GEARS AND TAIL ANGLE

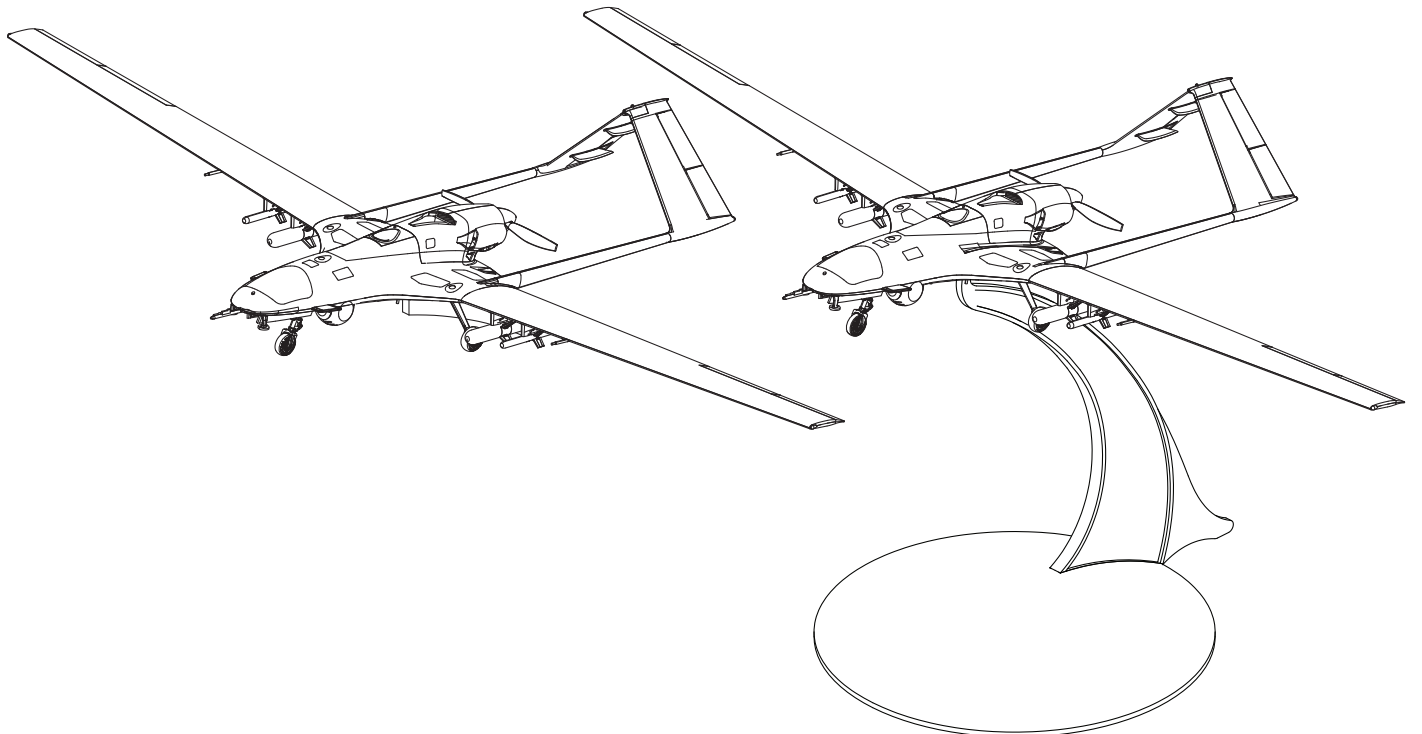


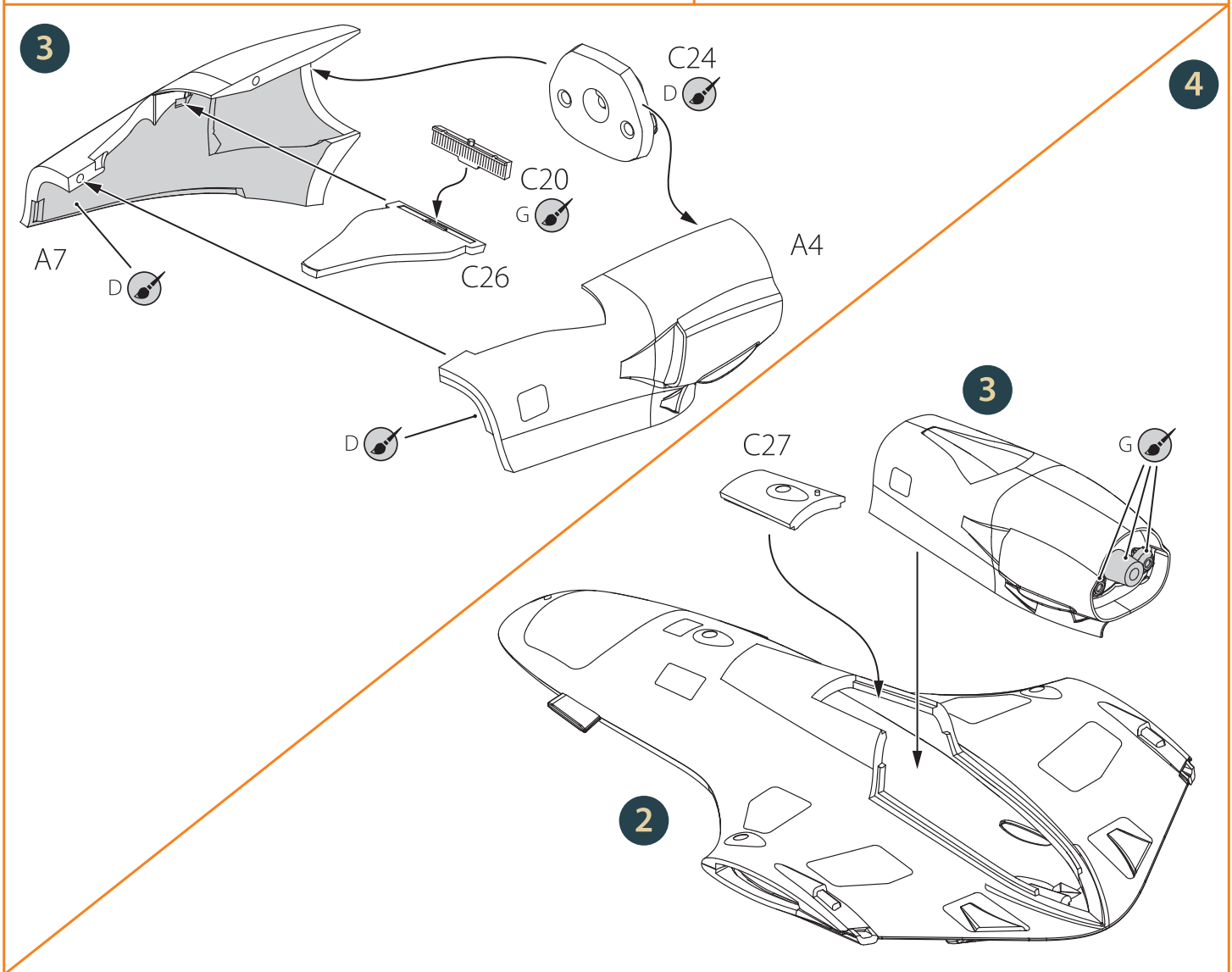
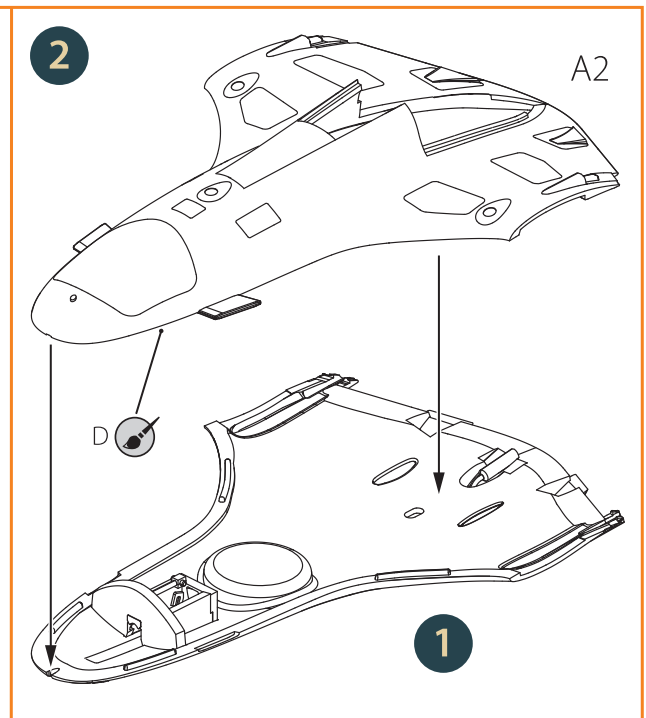
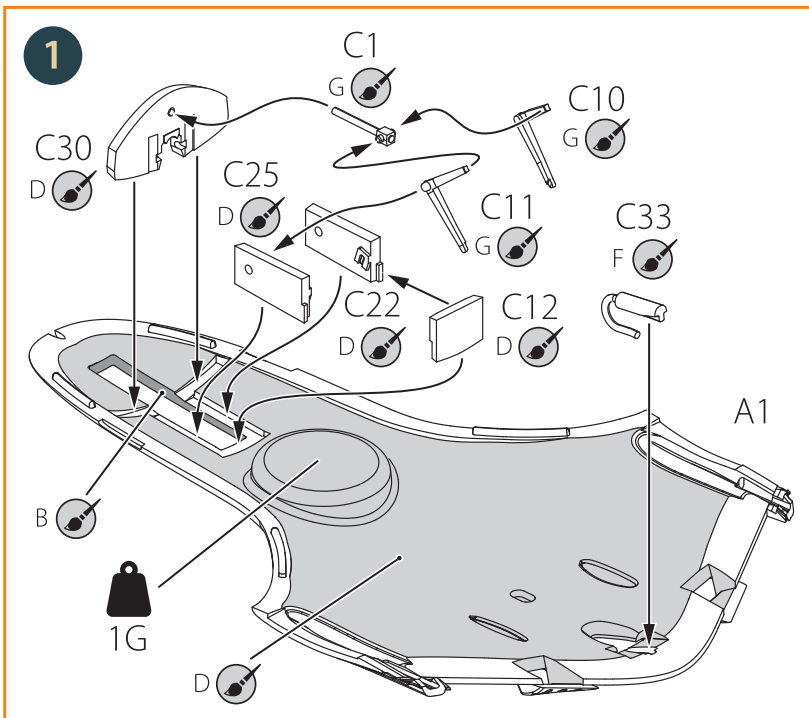
VARIANTS OF ASSEMBLY

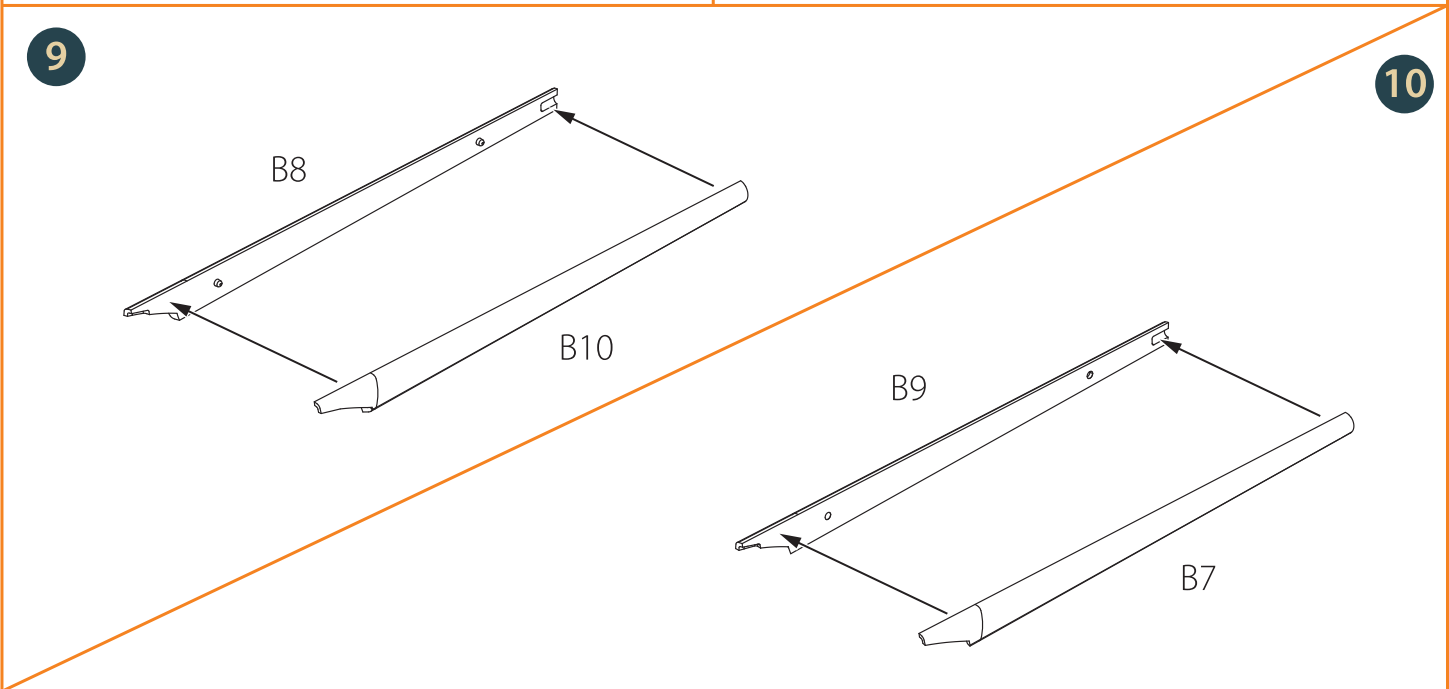
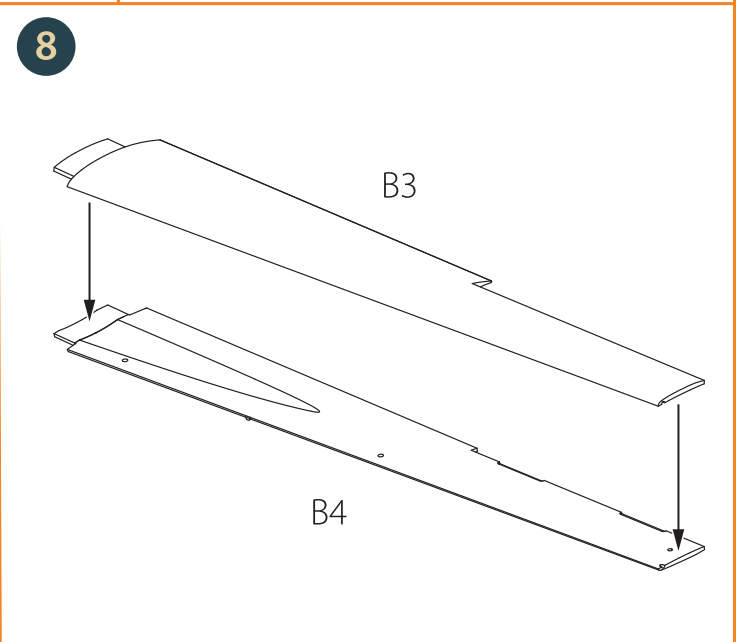
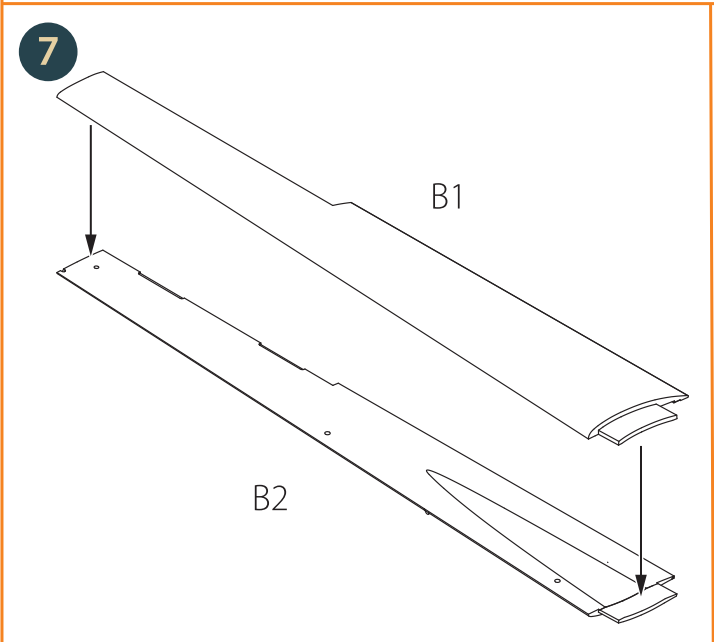
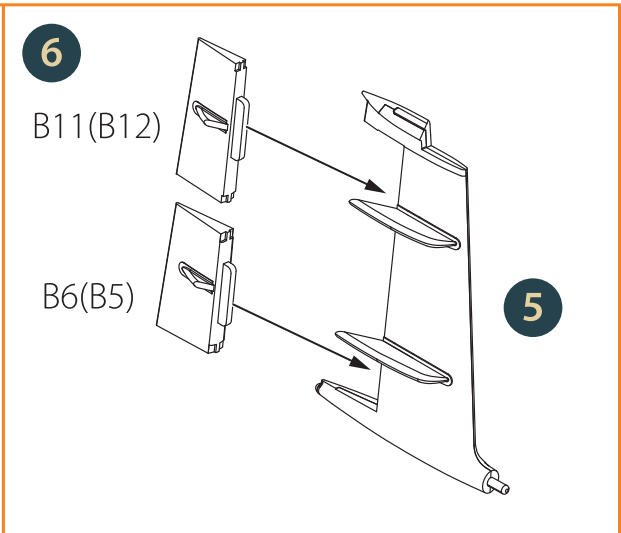
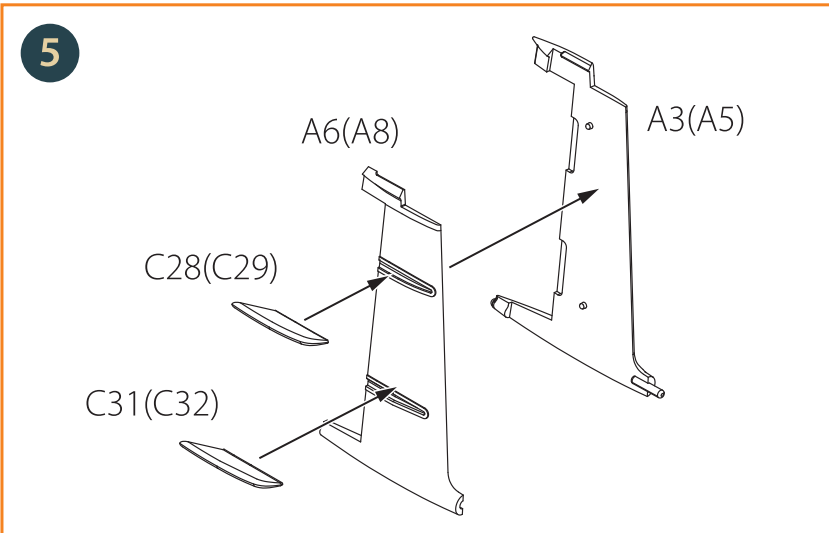
A

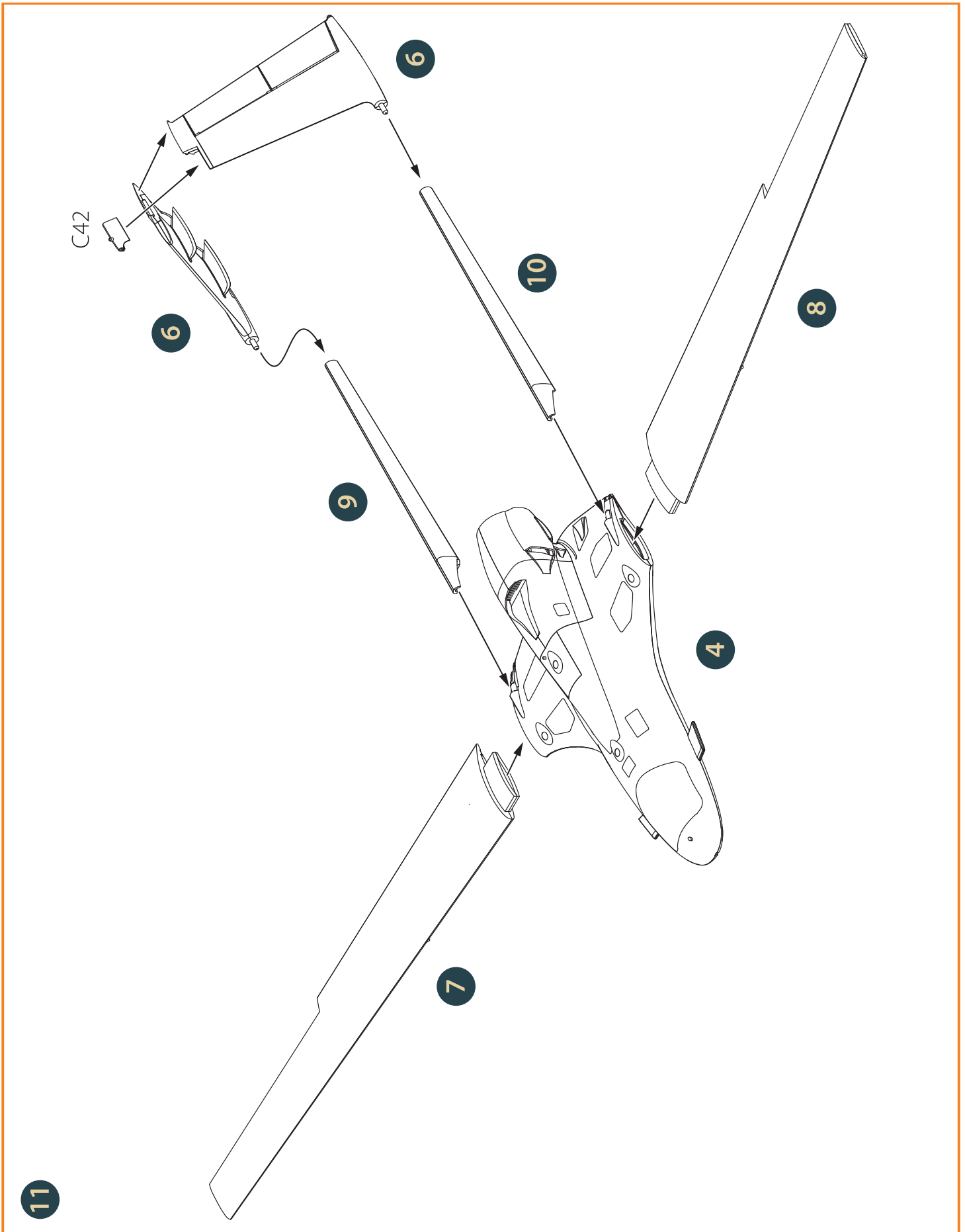
B

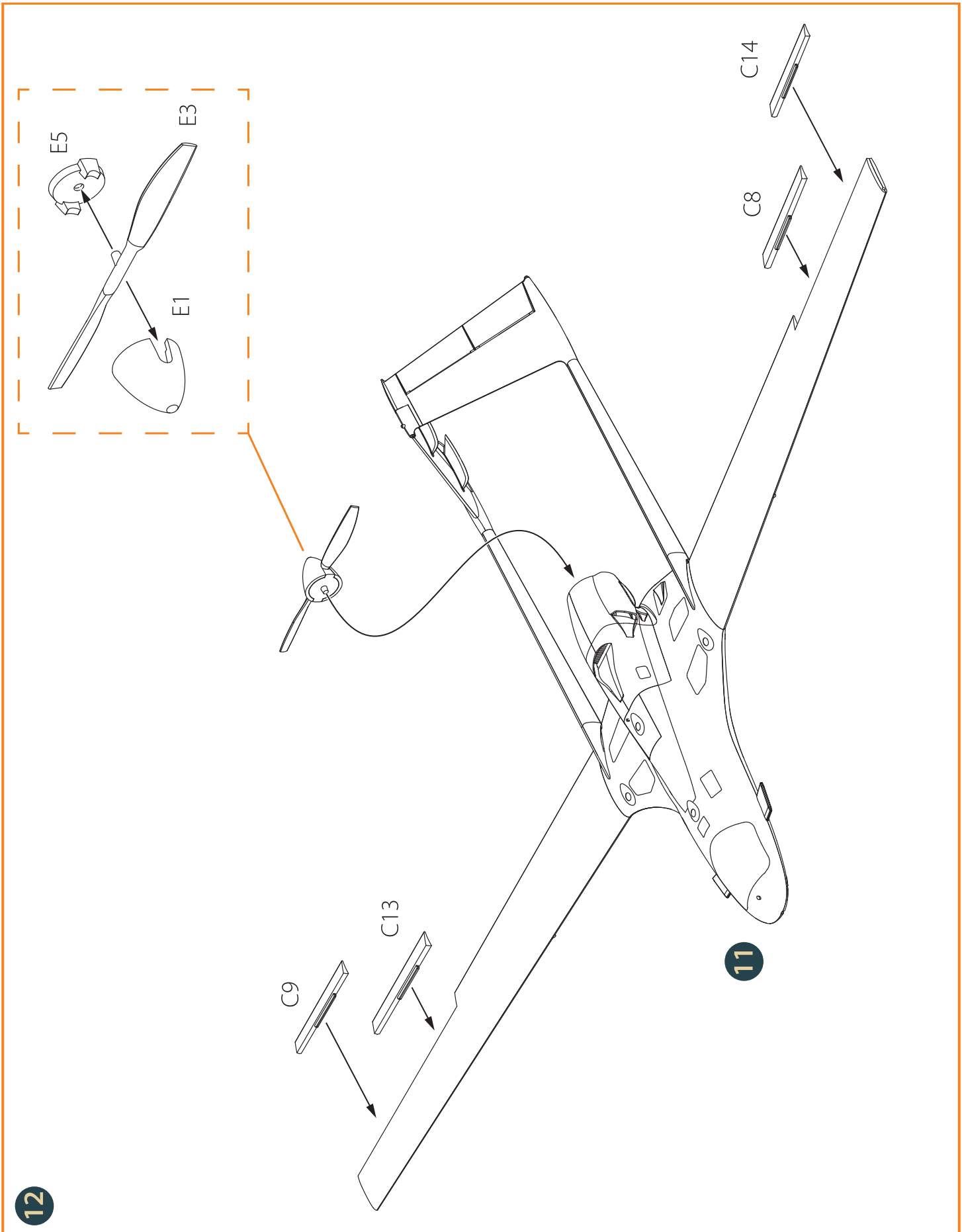
Model stand CPA72100 is not included in the kit





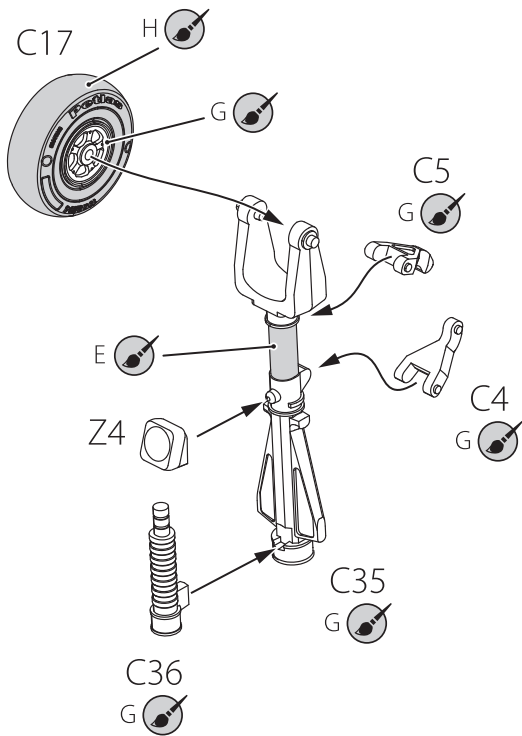




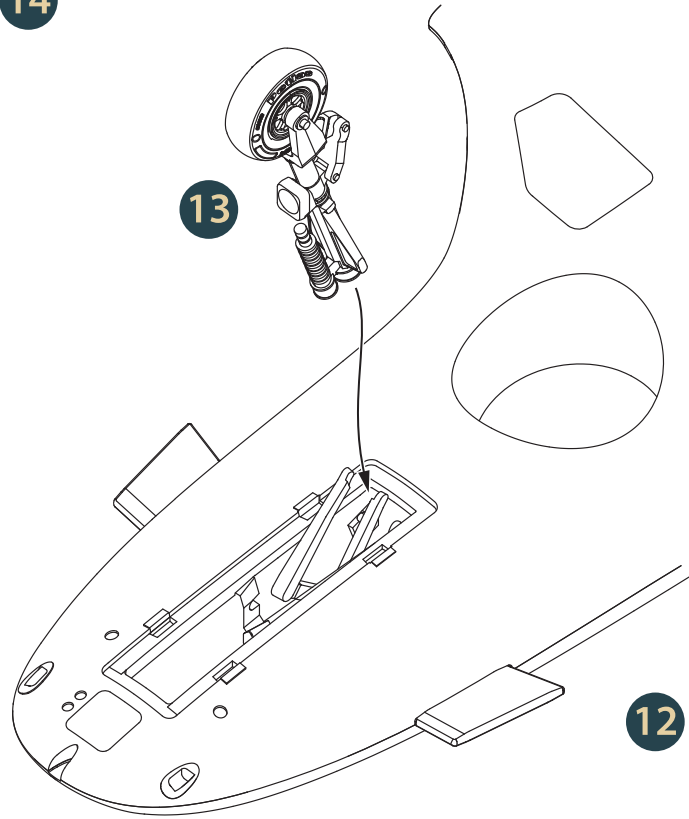


12

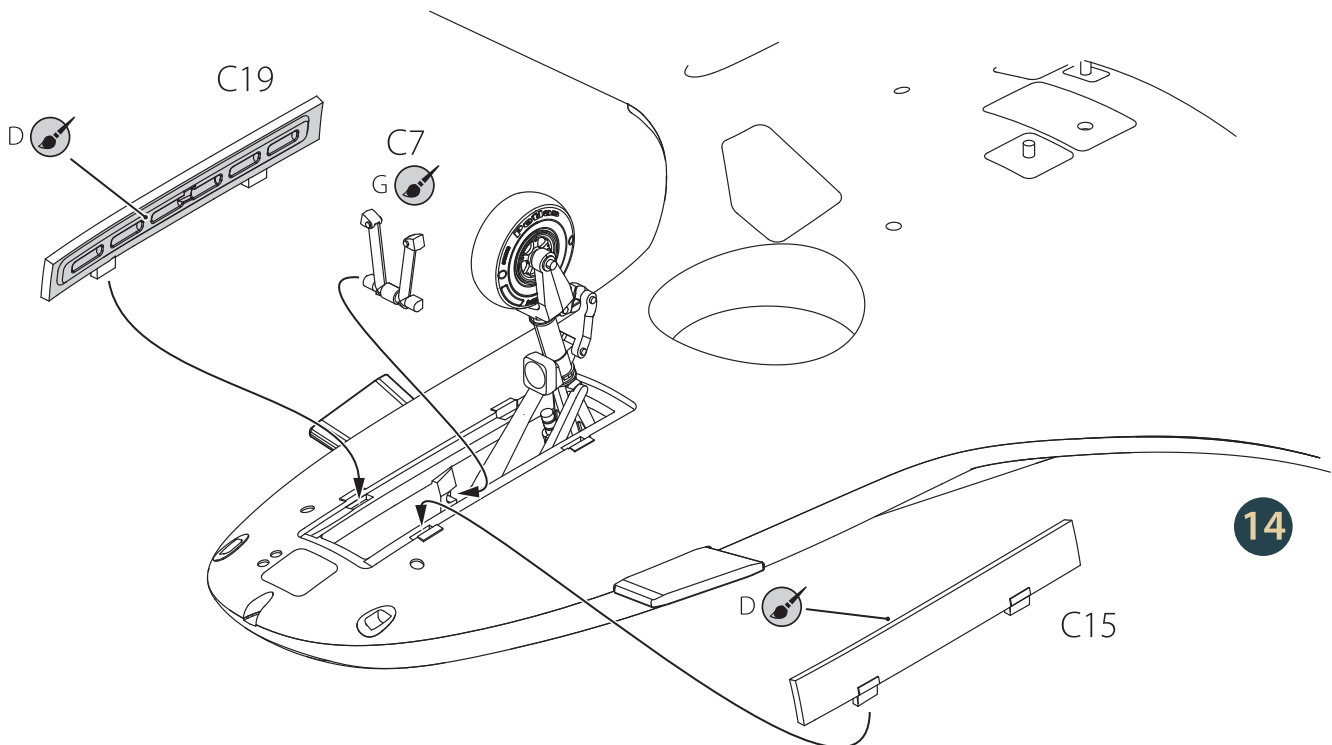
13



14

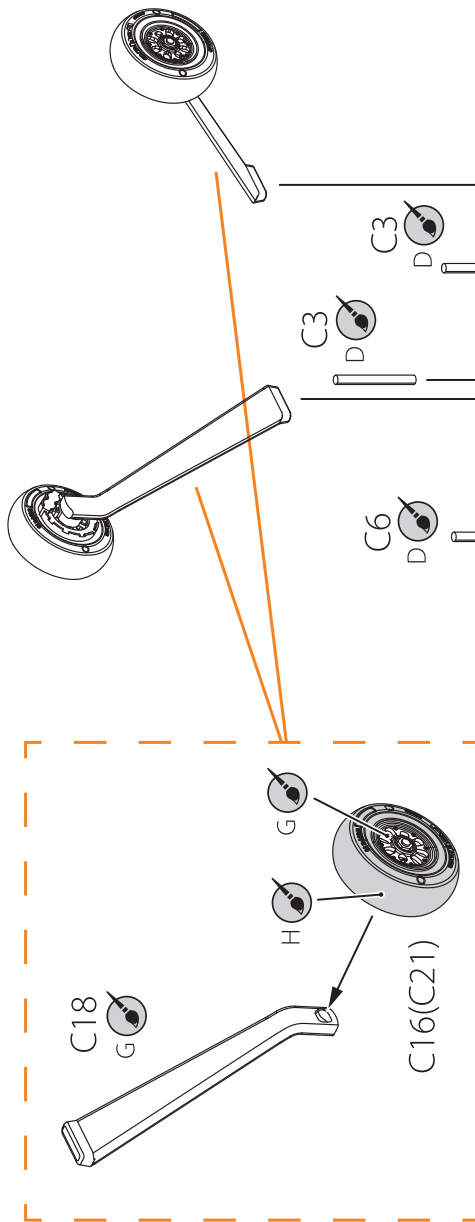
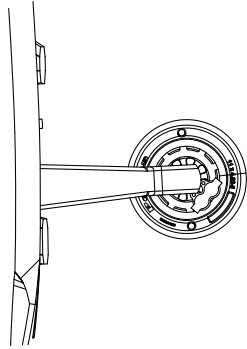


15

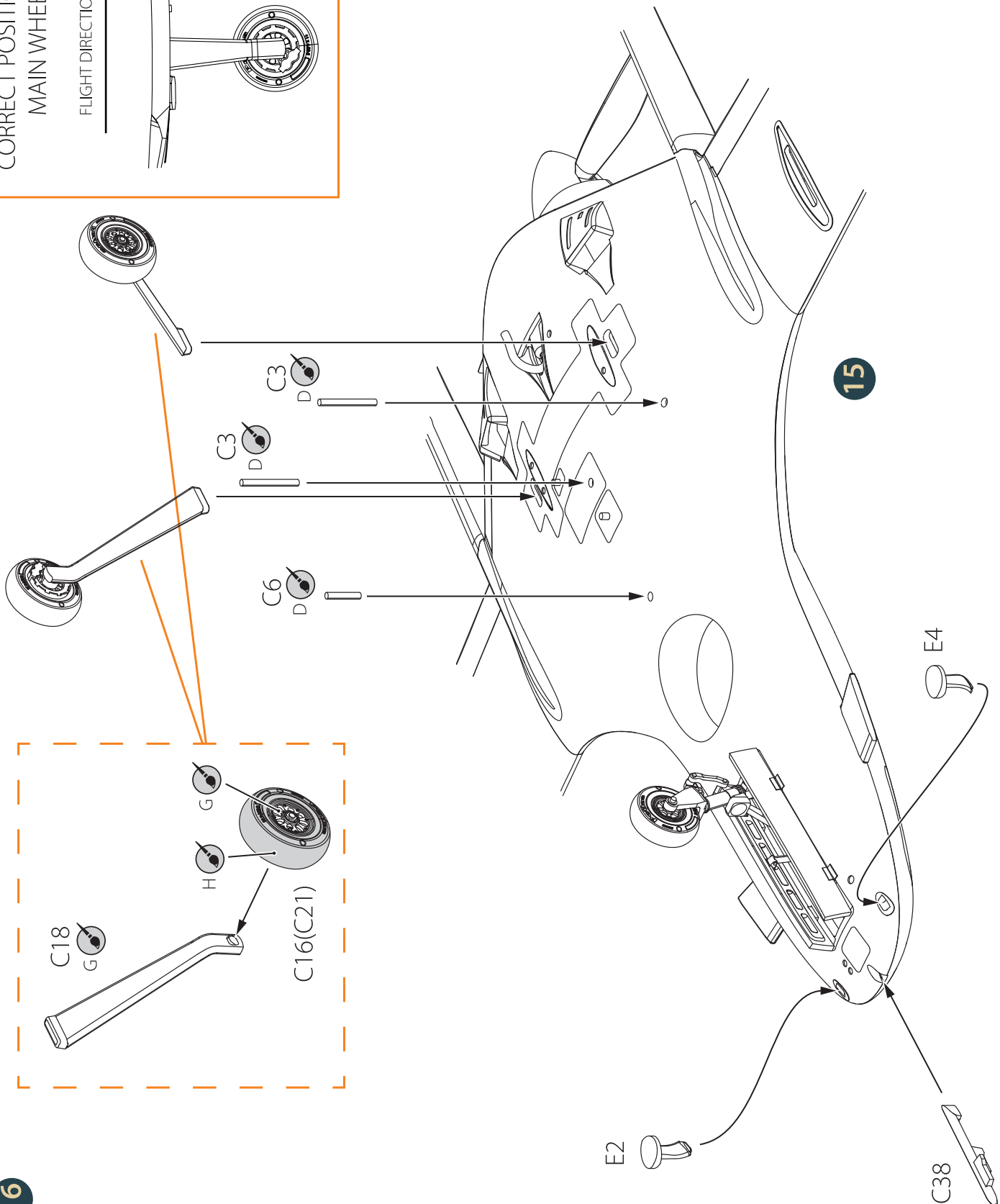


CORRECT POSITION OF
MAIN WHEEL

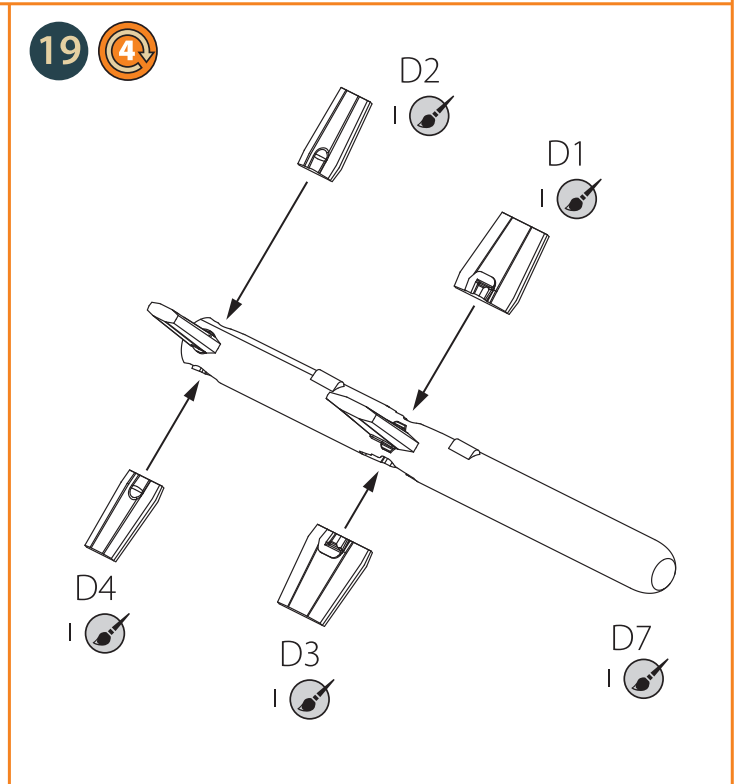
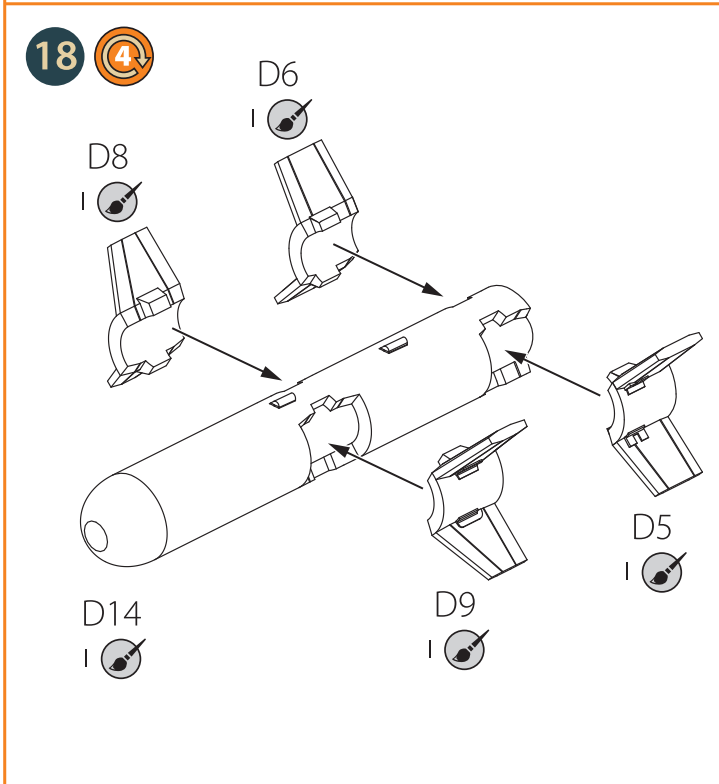
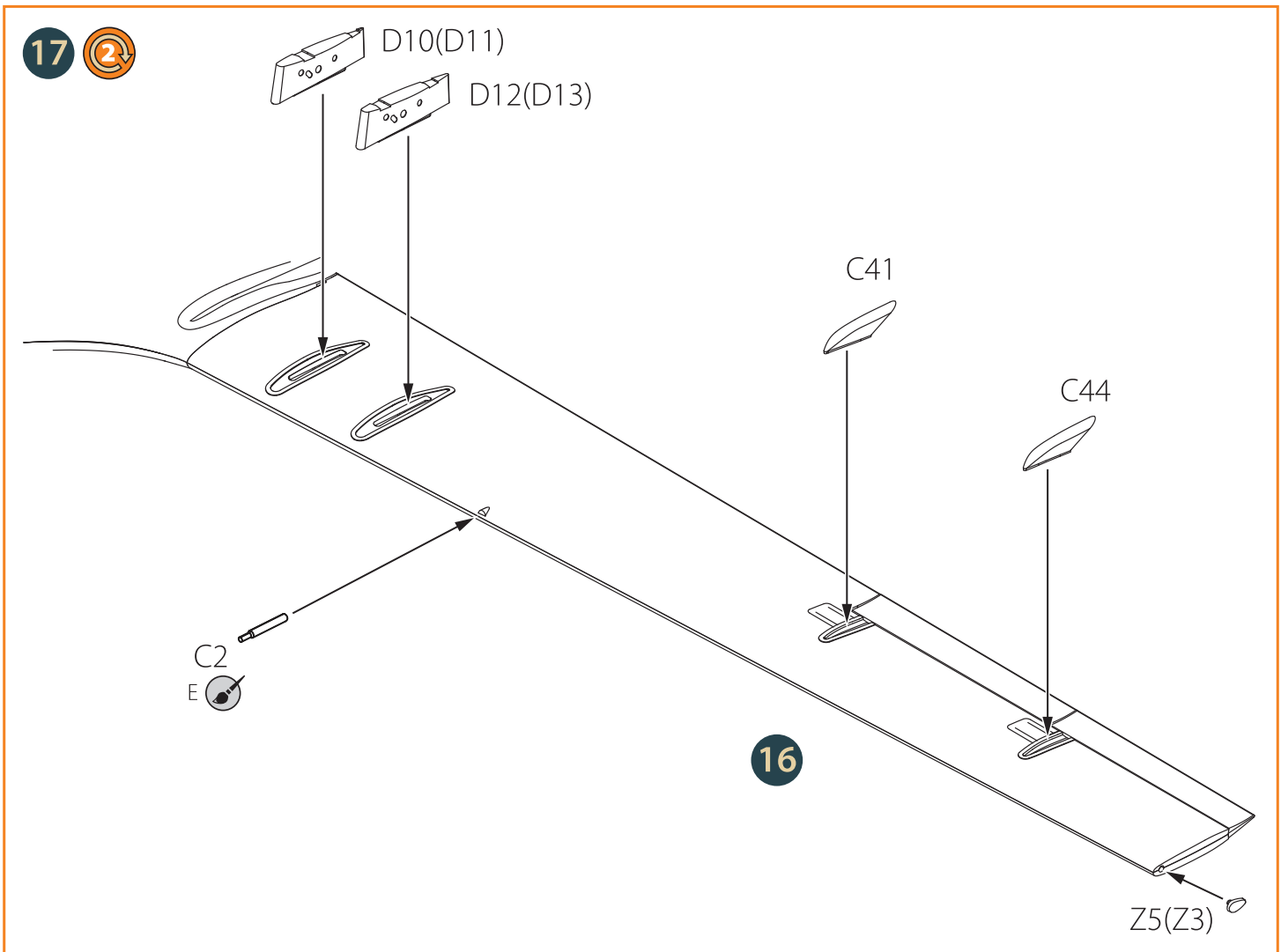
FLIGHT DIRECTION
→

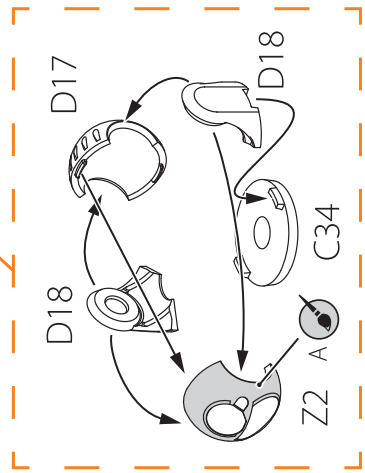
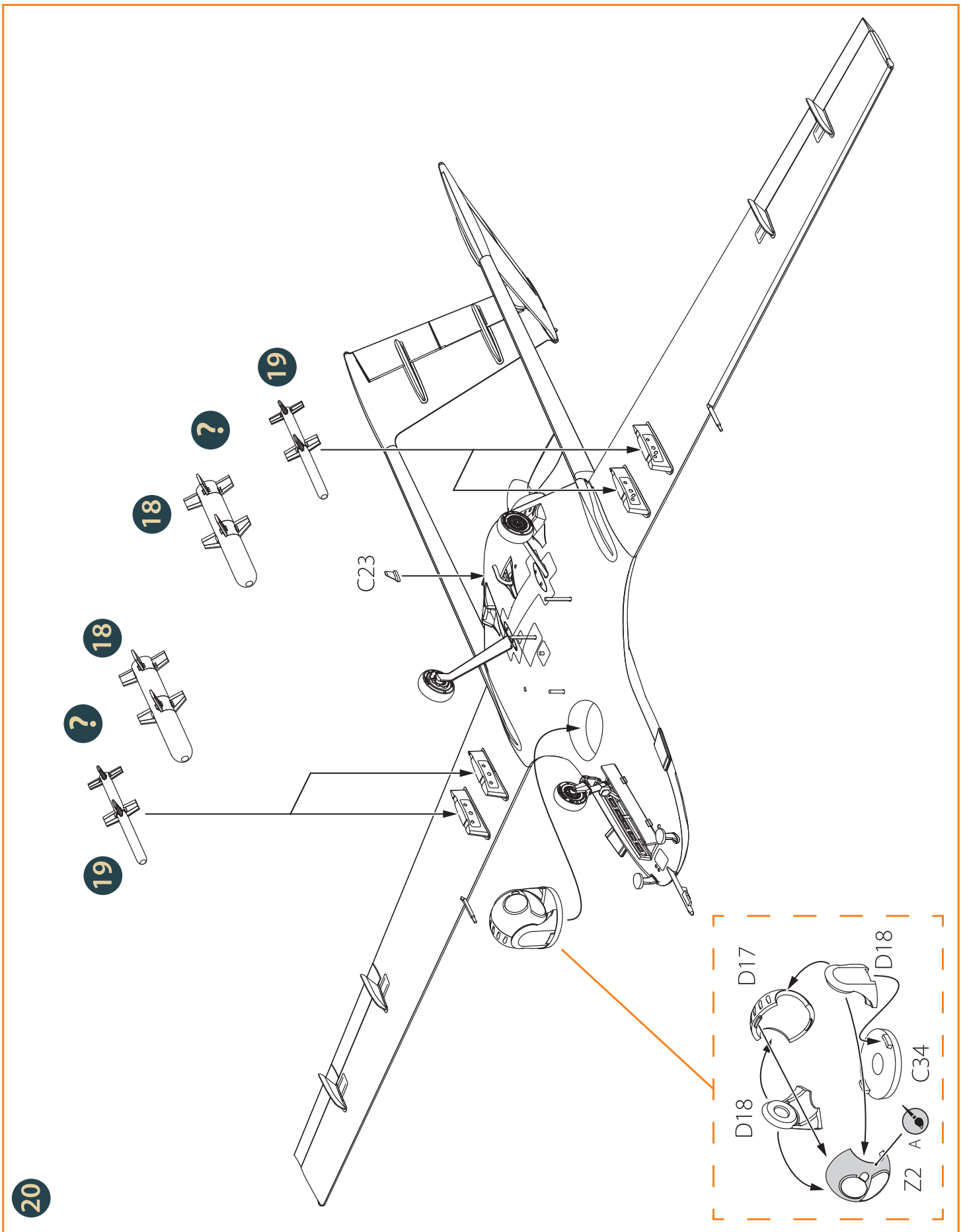


16

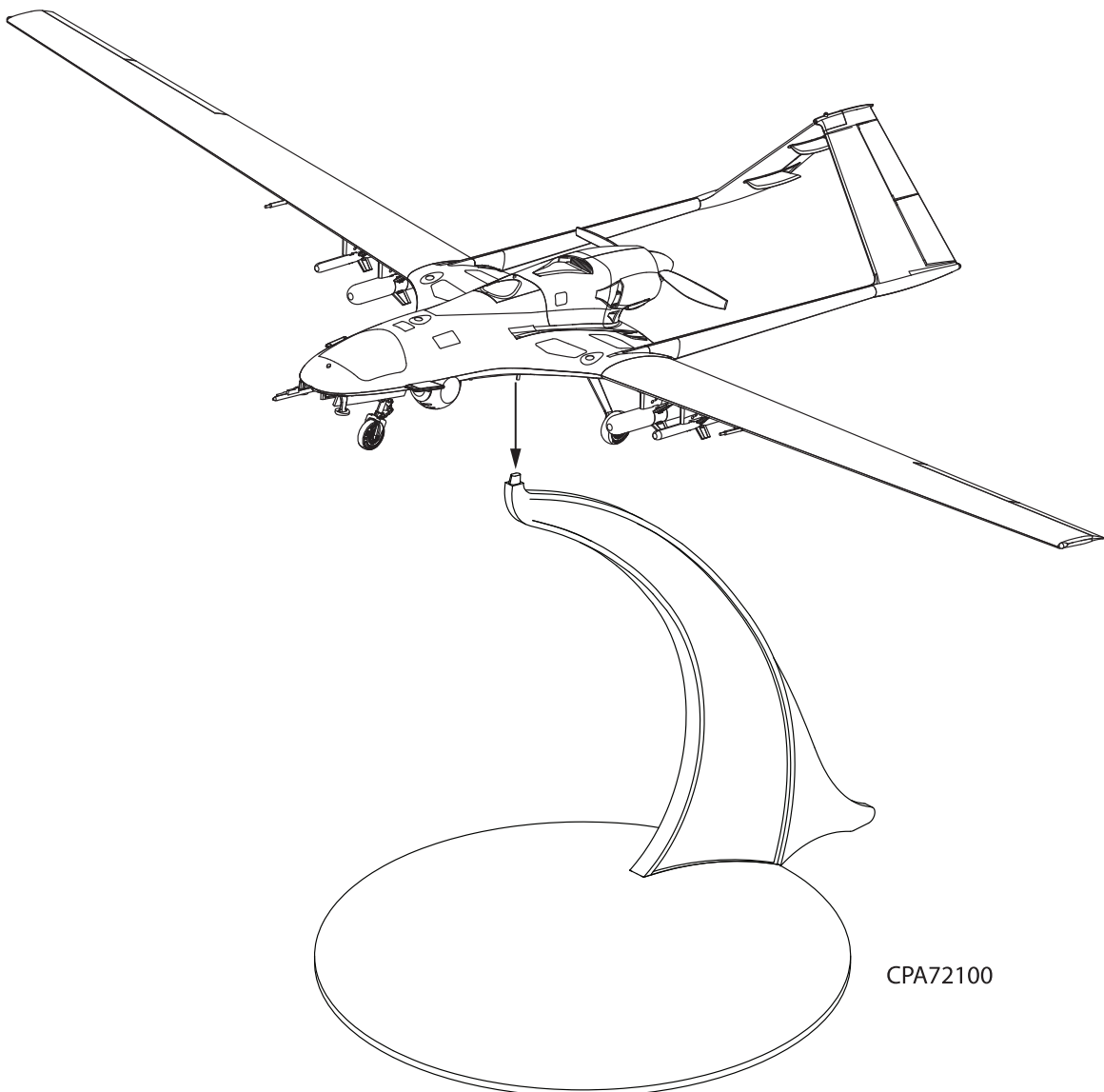
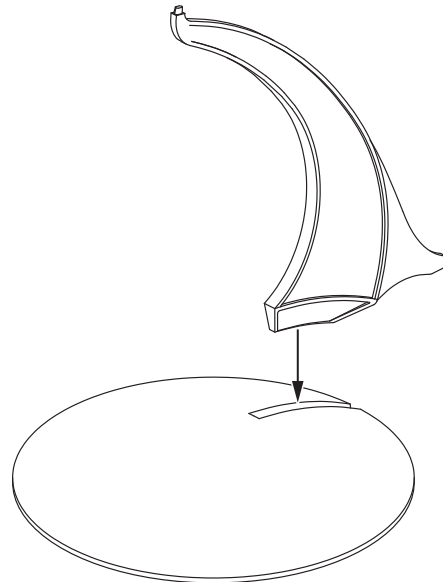


15





Model stand CPA72100 is not included in the kit





A
MR. COLOR 325
A.MIG-0241
GRAY



B
MR. COLOR 31
A.MIG-0236
DARK GRAY



C
MR. COLOR 1
A.MIG-0050
WHITE

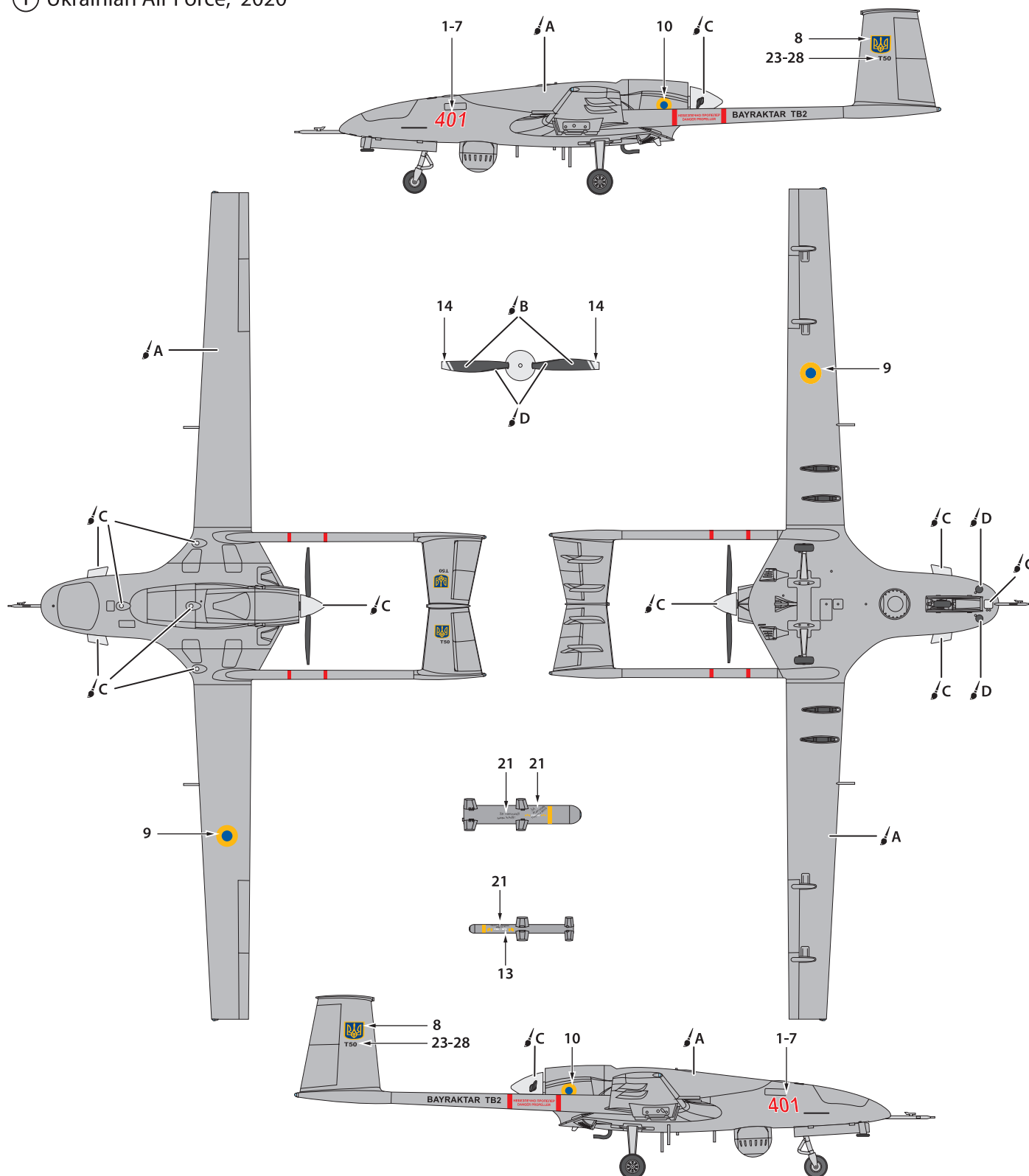


D
MR. COLOR 2
A.MIG-0046
BLACK



E
MR. COLOR 18
A.MIG-0191
POLISHED STEEL

① Ukrainian Air Force, 2020





A
MR. COLOR 325
A.MIG-0241
GRAY



B
MR. COLOR 31
A.MIG-0236
DARK GRAY



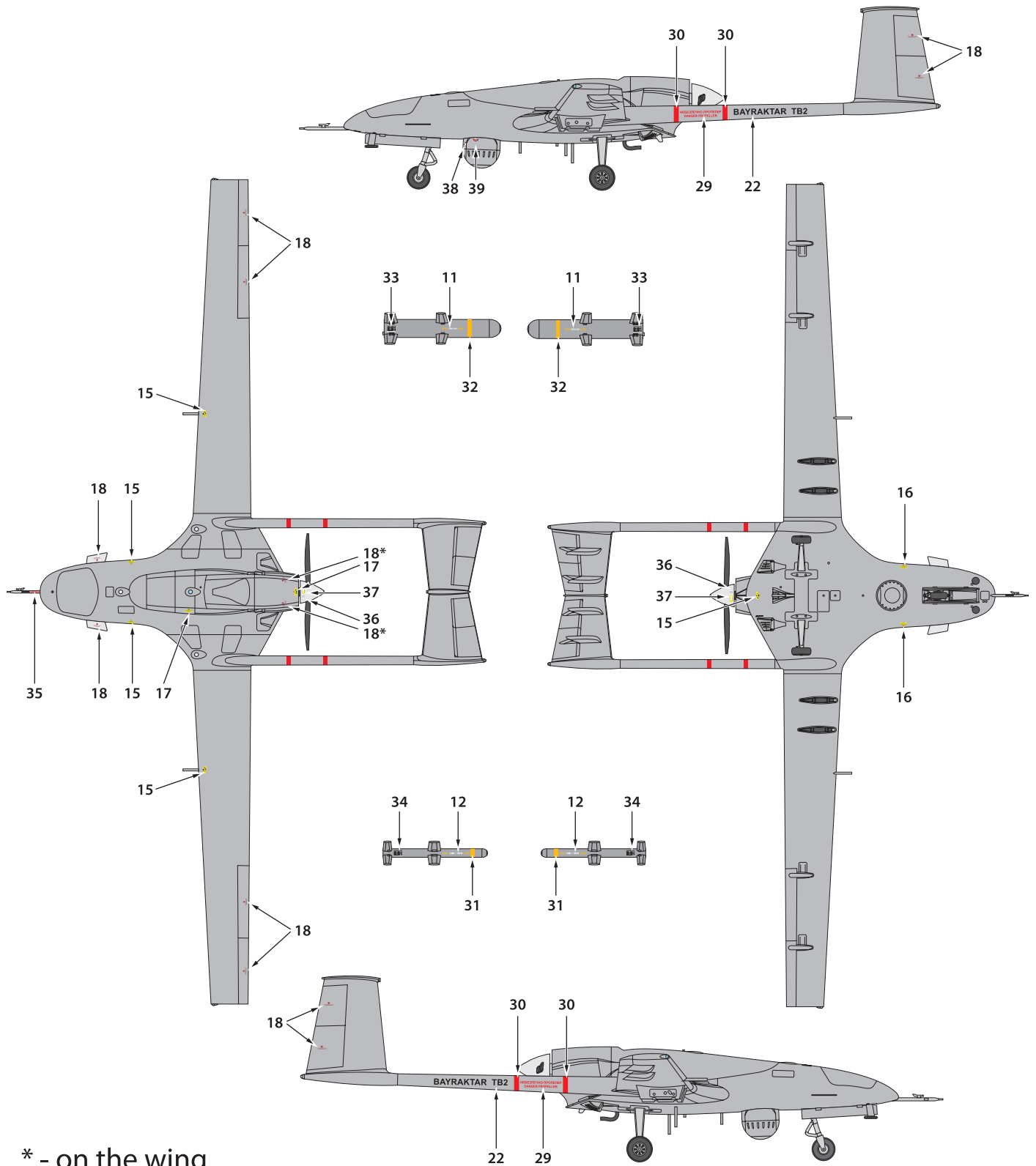
C
MR. COLOR 1
A.MIG-0050
WHITE



D
MR. COLOR 2
A.MIG-0046
BLACK



E
MR. COLOR 18
A.MIG-0191
POLISHED STEEL



* - on the wing