



STARTER



GLOSTER E28/39 PIONEER

1:48

model # CP4823



scale model kit

SPAN: 184.2 mm



LENGTH: 163.2mm



NUMBER OF PARTS: 130 pcs

- stages of assembly
- variants of assembly
- A1** part number
- fill with putty
- apply decals
- apply the adhesive mask
- bend
- optional
- glue by super glue
- do not glue
- make a hole
- detach with knife
- paint
- repeat the operation N times

Role	Experimental prototype
National origin	United Kingdom
Manufacturer	Gloster Aircraft Company
Designer	George Carter
First flight	15 May 1941
Status	Retired
Primary user	Royal Aircraft Establishment (RAE)
Number built	2 prototypes

The Gloster E.28/39, (also referred to as the Gloster Whittle, Gloster Pioneer, or Gloster G.40) was the first British jet-engined aircraft and first flew in 1941. It was the third jet to fly after the German Heinkel He 178 (1939) and the Italian Caproni Campini N.1 motorjet (1940).

The E.28/39 was the product of a specification which had been issued by the Air Ministry for a suitable aircraft to test the novel jet propulsion designs that Frank Whittle had been developing during the 1930s. Gloster and the company's chief designer, George Carter, worked with Whittle to develop an otherwise conventional aircraft fitted with a Power Jets W.1 turbojet engine. Flying for the first time on 15 May 1941, a pair of E.28/39 aircraft were produced for the flight test programme. Following initial satisfactory reports, this aircraft continued to be flown to test increasingly refined engine designs and new aerodynamic features. The E.28/39 contributed valuable initial experience with the new type of propulsion and led to the development of the Gloster Meteor, the first operational jet fighter to enter service with the Allies.

REQUIRED PAINTS



HUMBROL 56
A.MIG-0194
ALUMINIUM



HUMBROL 29
A.MIG-0070
DARK EARTH



HUMBROL 116
A.MIG-0915
DARK GREEN



HUMBROL 106
A.MIG-0245
OCEAN GREY



HUMBROL 188
A.MIG-0125
TRAINER YELLOW



HUMBROL 70
A.MIG-0121
DULL RED



MR. COLOR C61
A.MIG-0191
BURNT METALL



HUMBROL 33
A.MIG-0046
BLACK



HUMBROL 78
A.MIG-0219
COCKPIT GREEN



HUMBROL 62
A.MIG-0133
LEATHER



HUMBROL 11
A.MIG-0195
SILVER

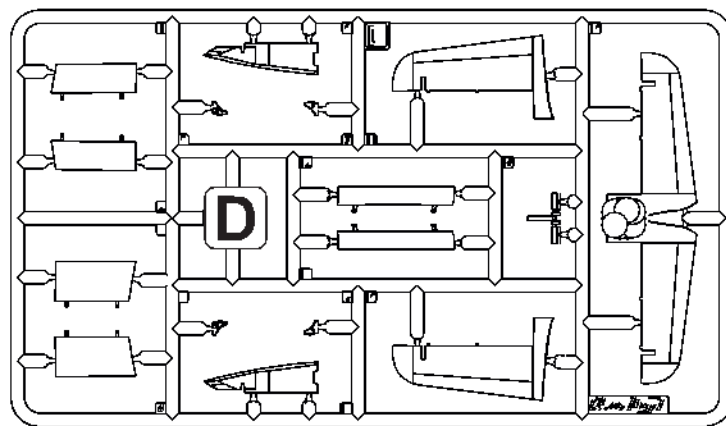
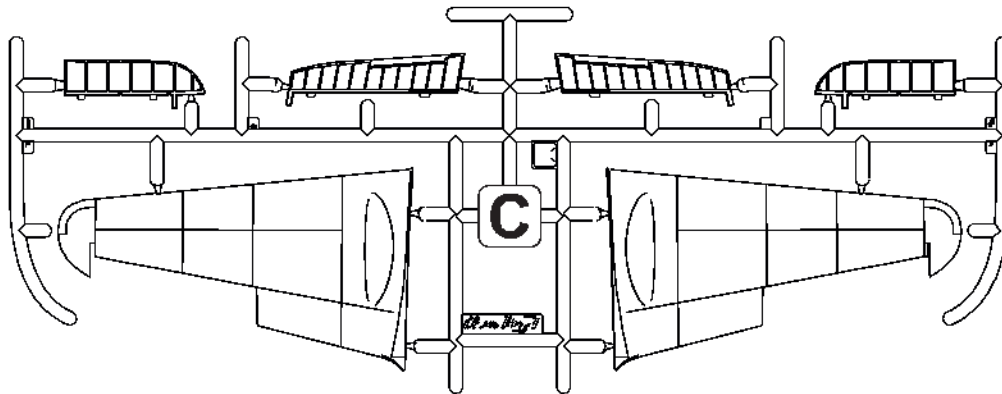
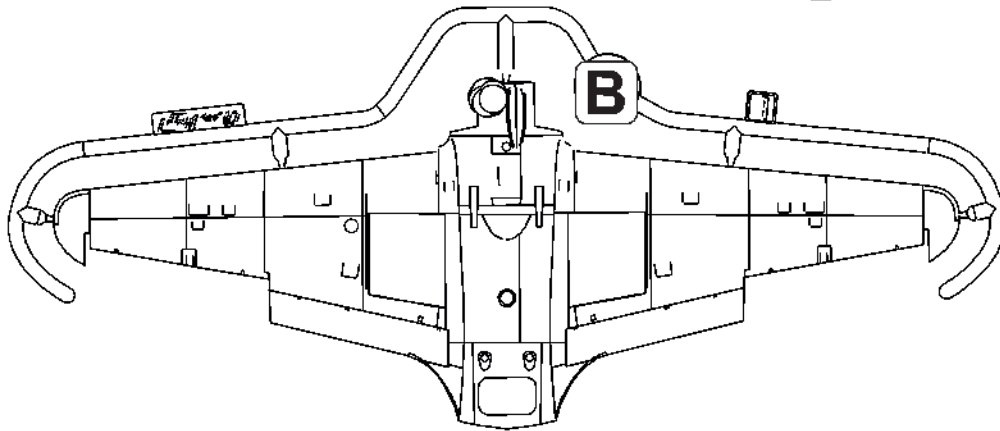
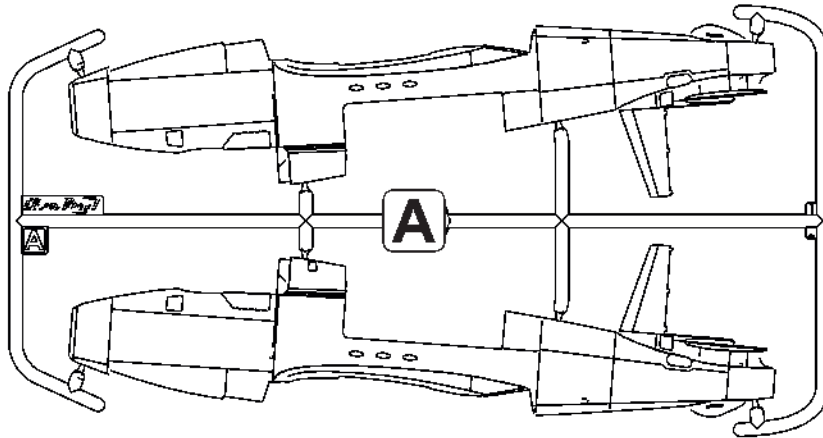


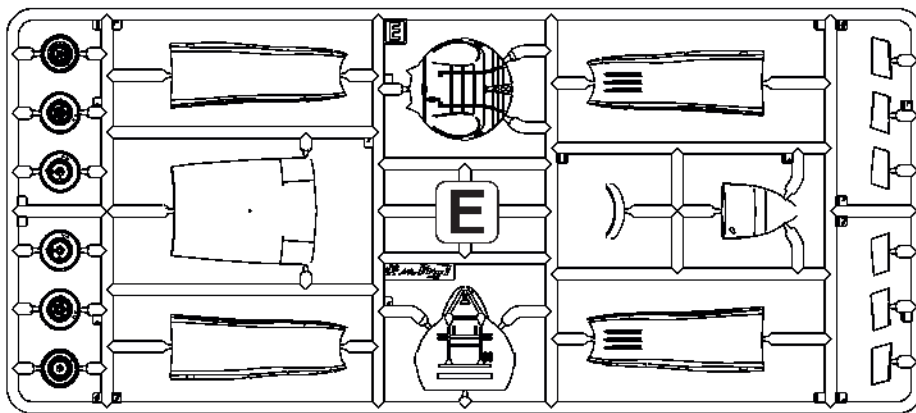
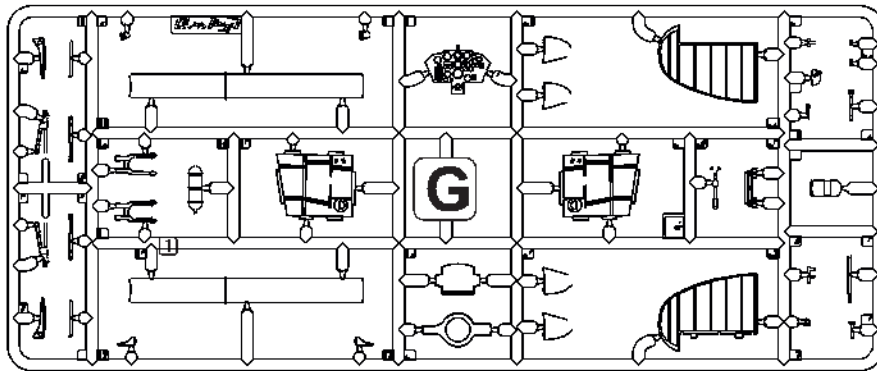
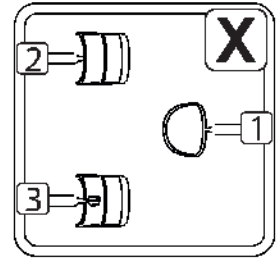
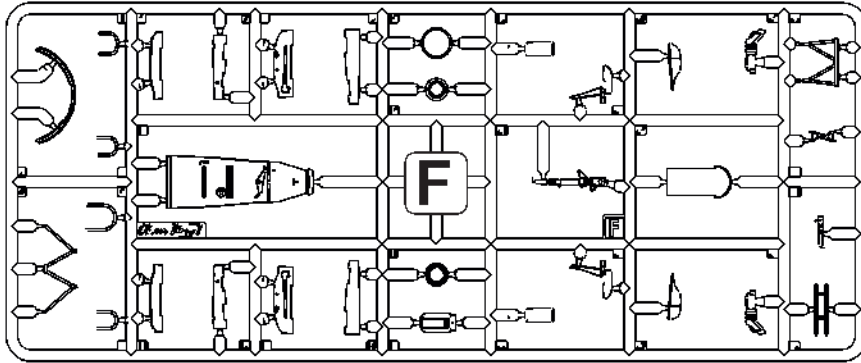
MR. COLOR C137
A.MIG-0033
TIRE BLACK



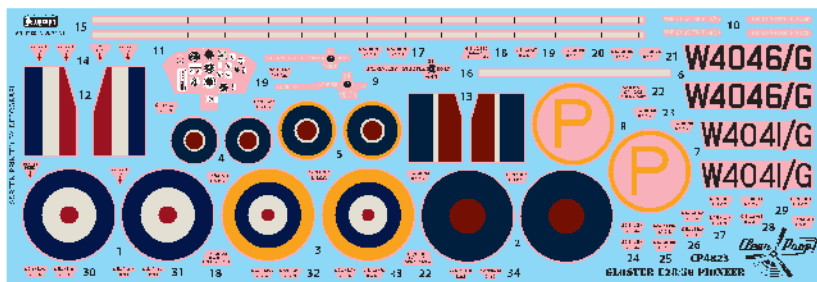
AMMO
by MIG Jimenez

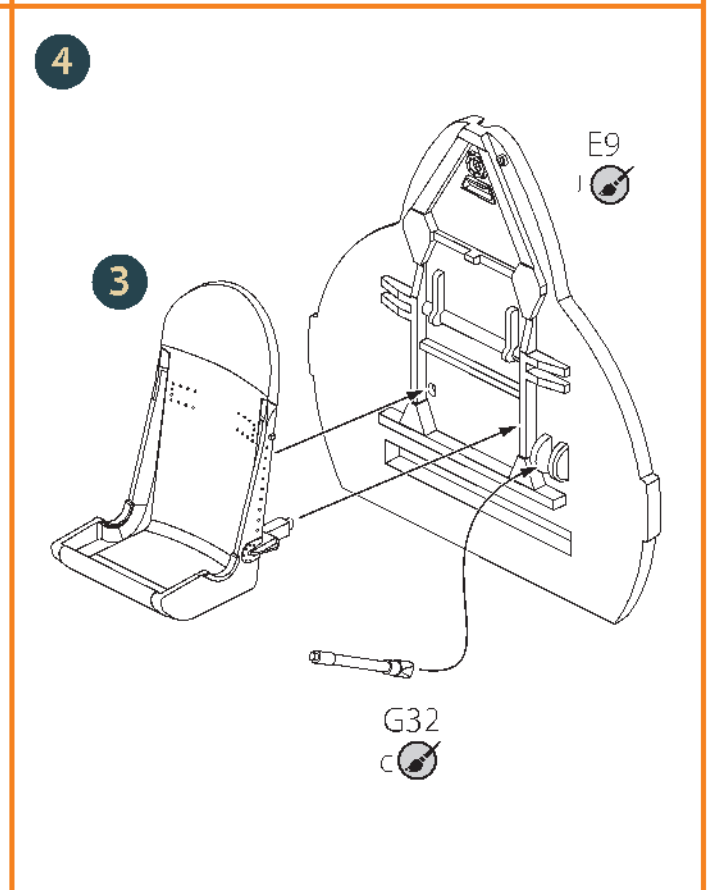
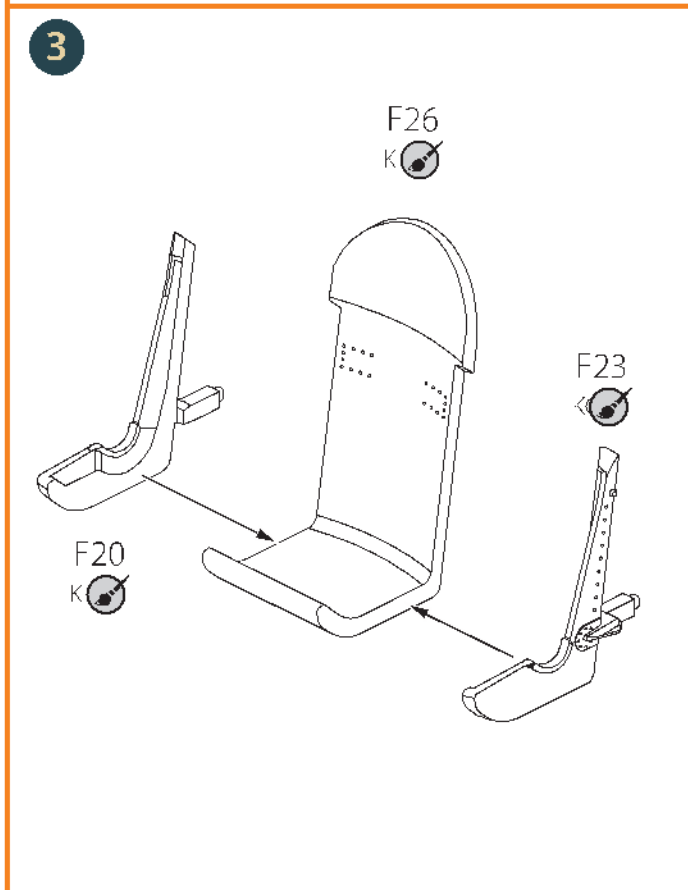
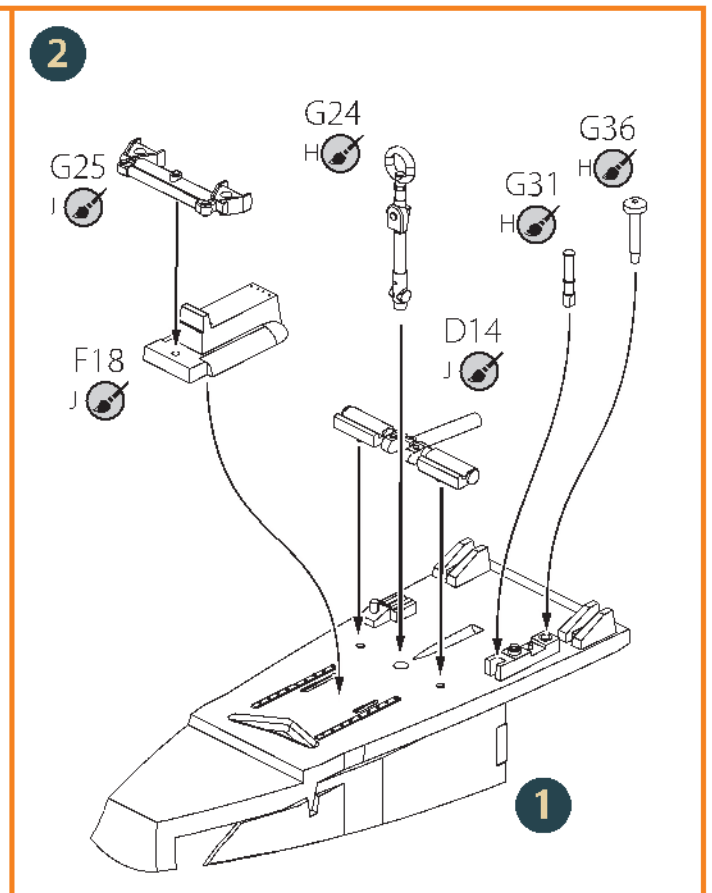
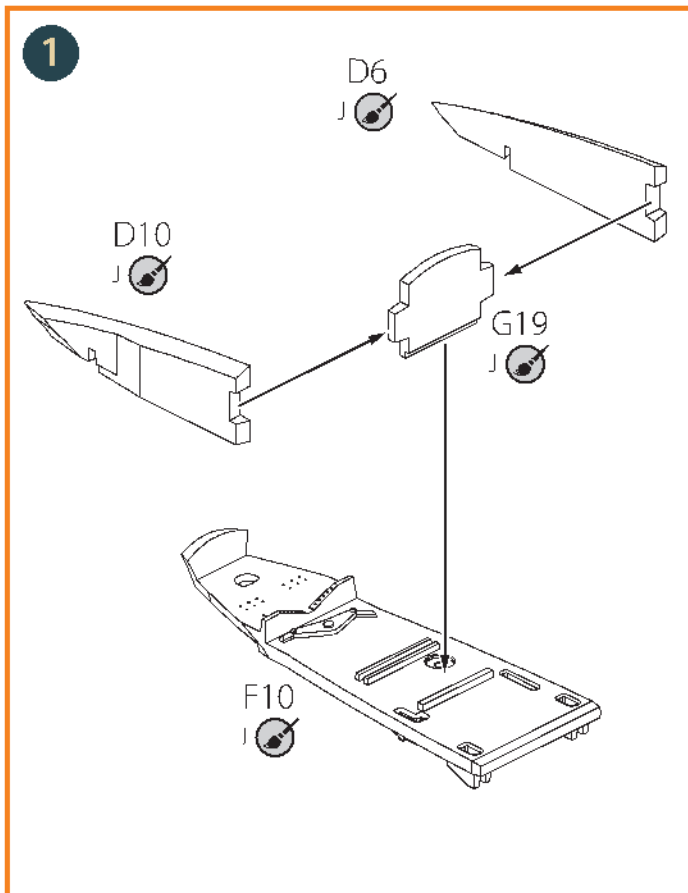
THIS MODEL IS PRODUCED FOR EXPERIENCED MODELERS OVER 14 YEARS

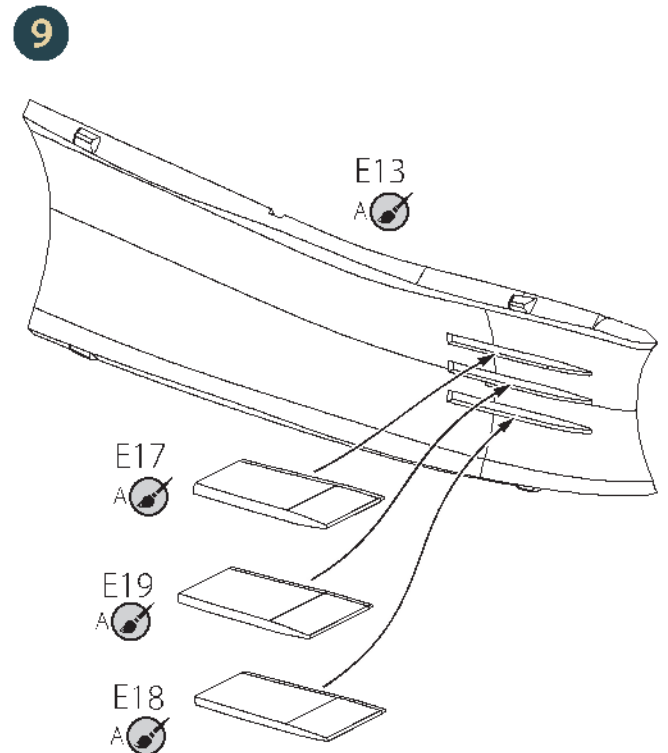
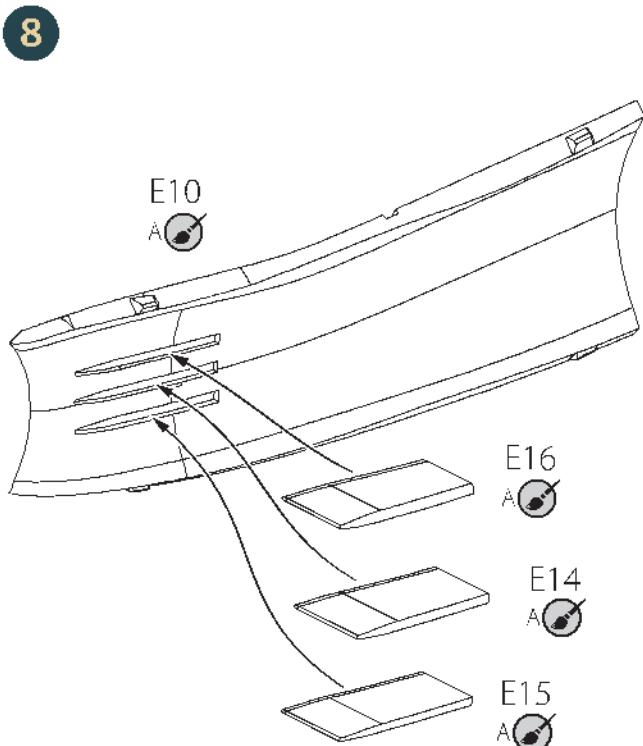
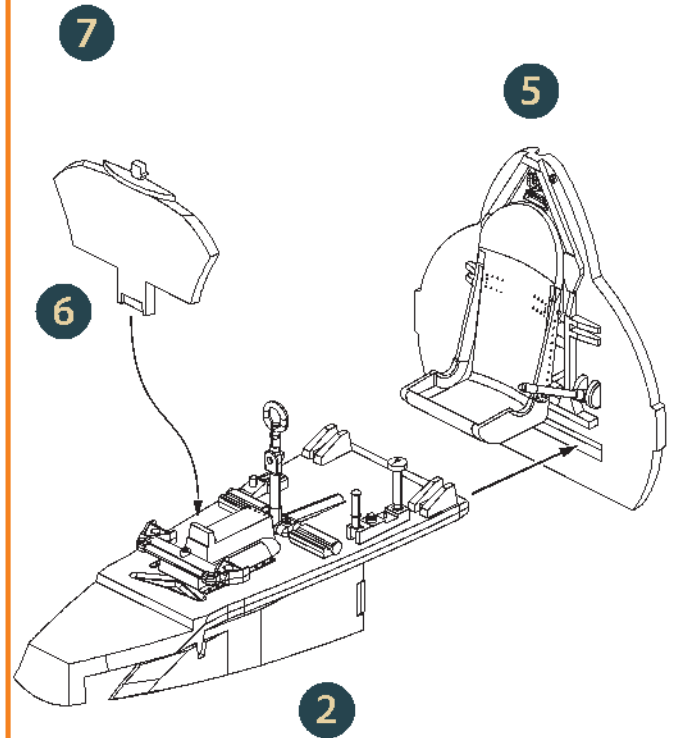
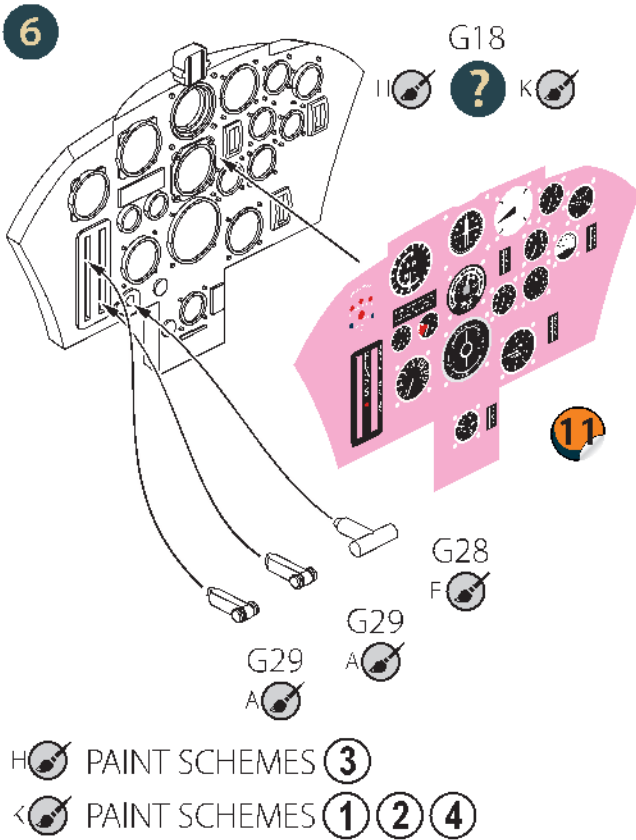




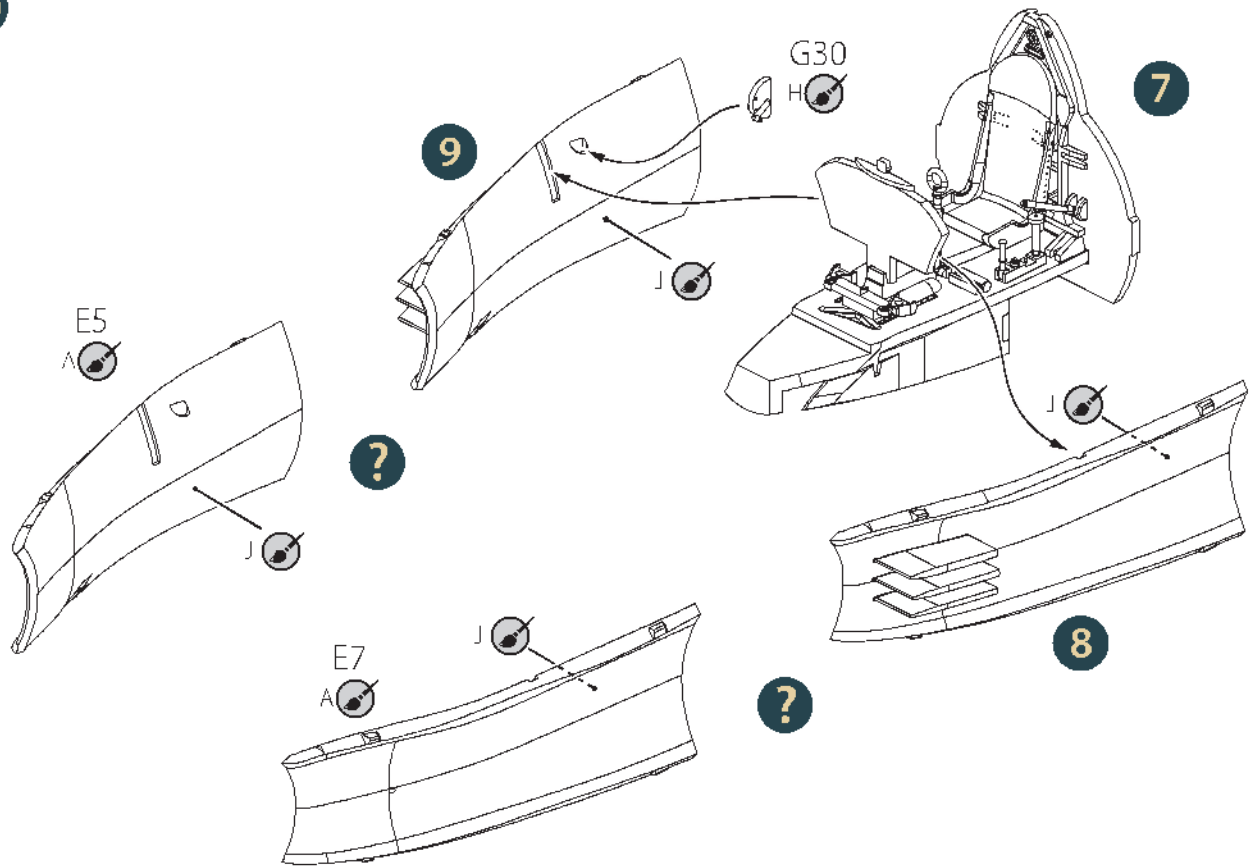
DECAL SHEET



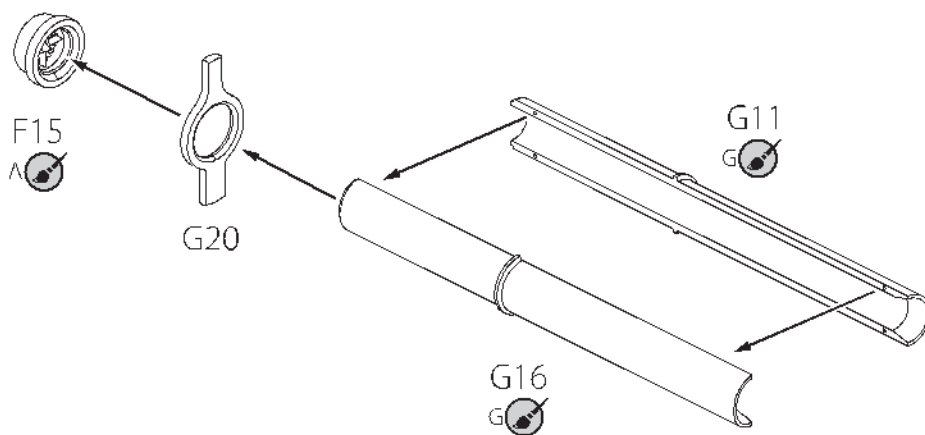




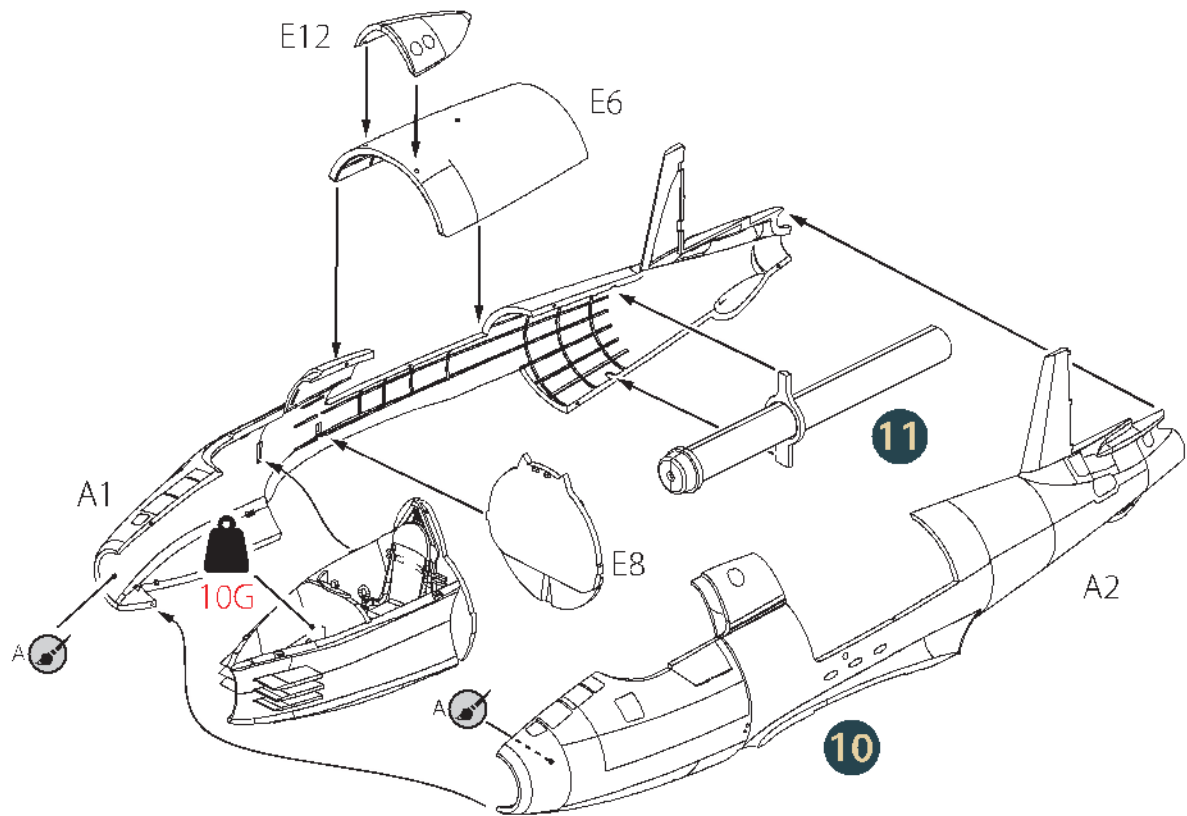
10



11

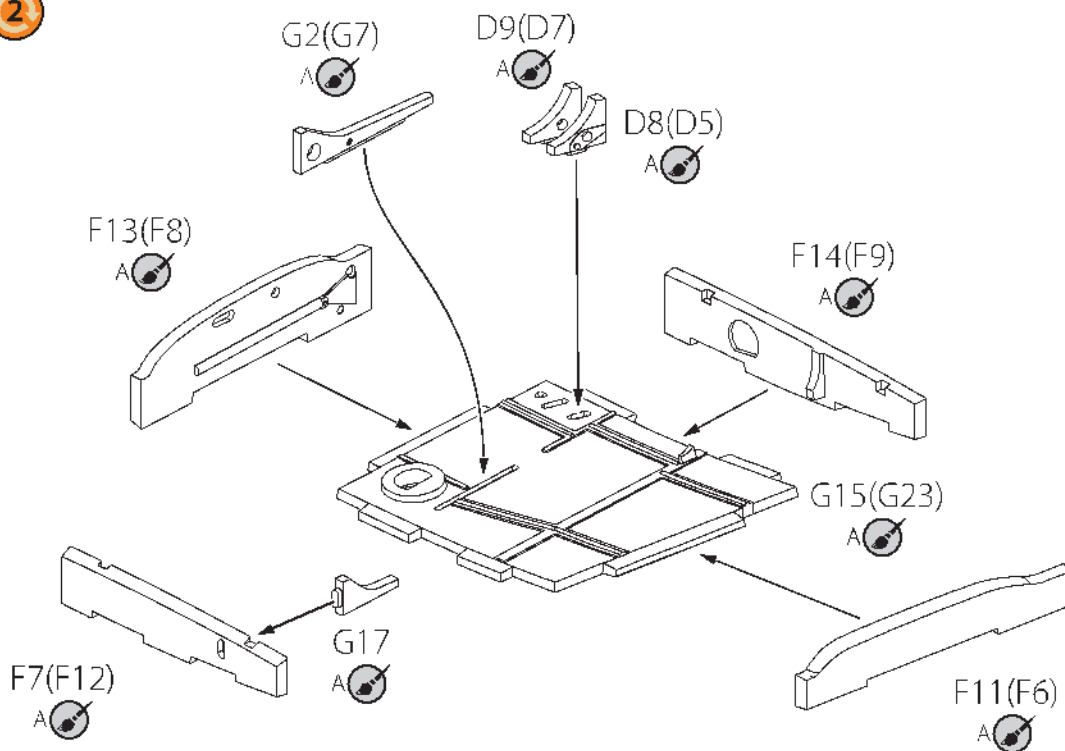


12

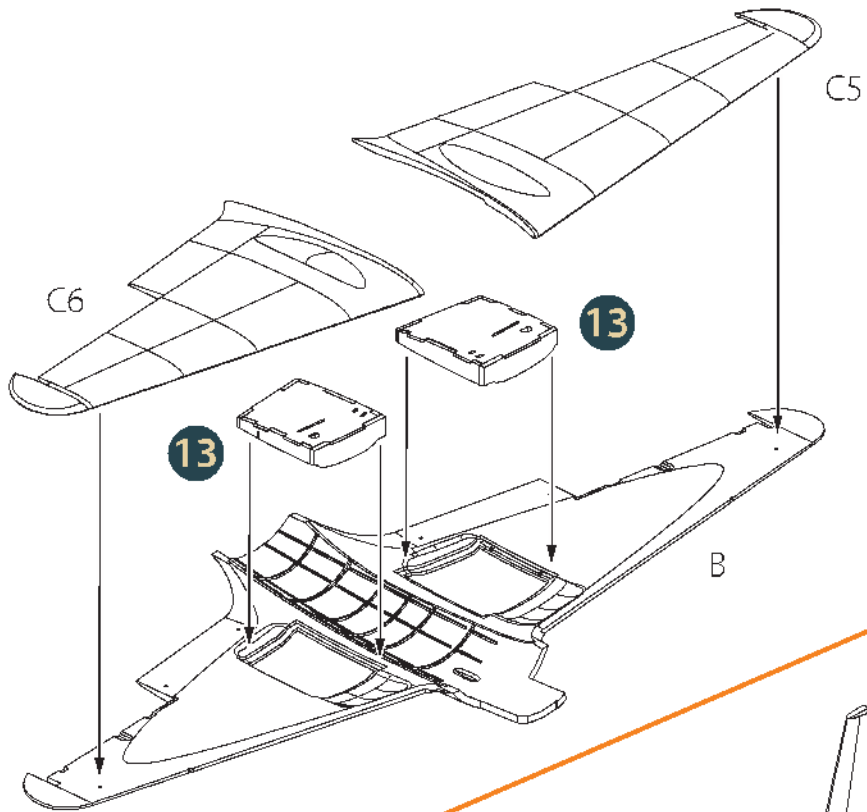


13

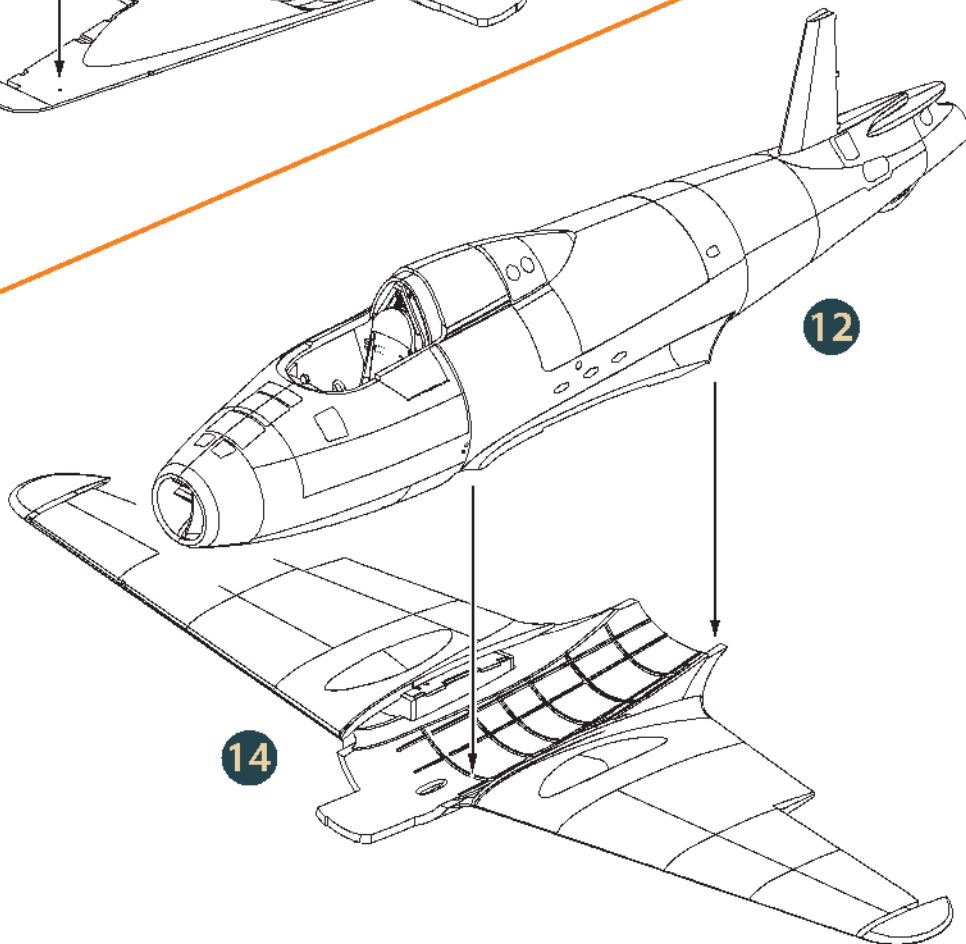
2



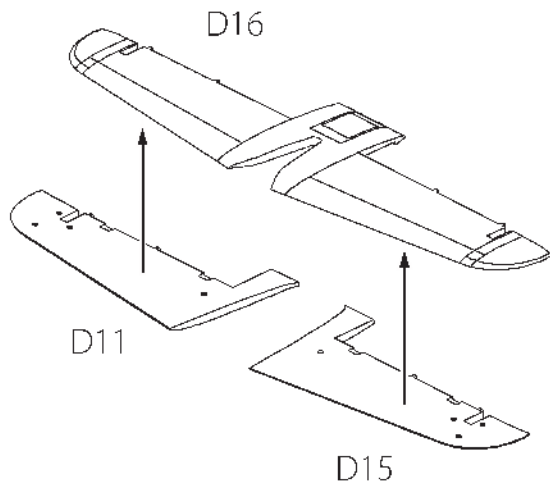
14



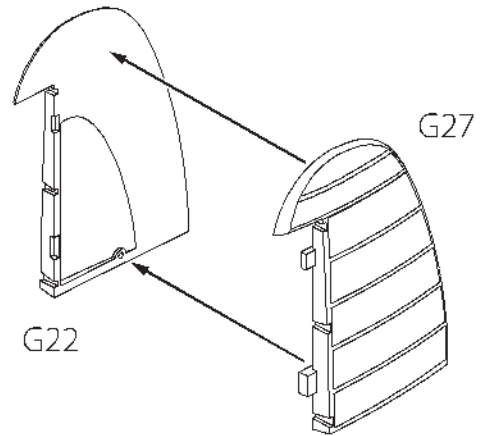
15



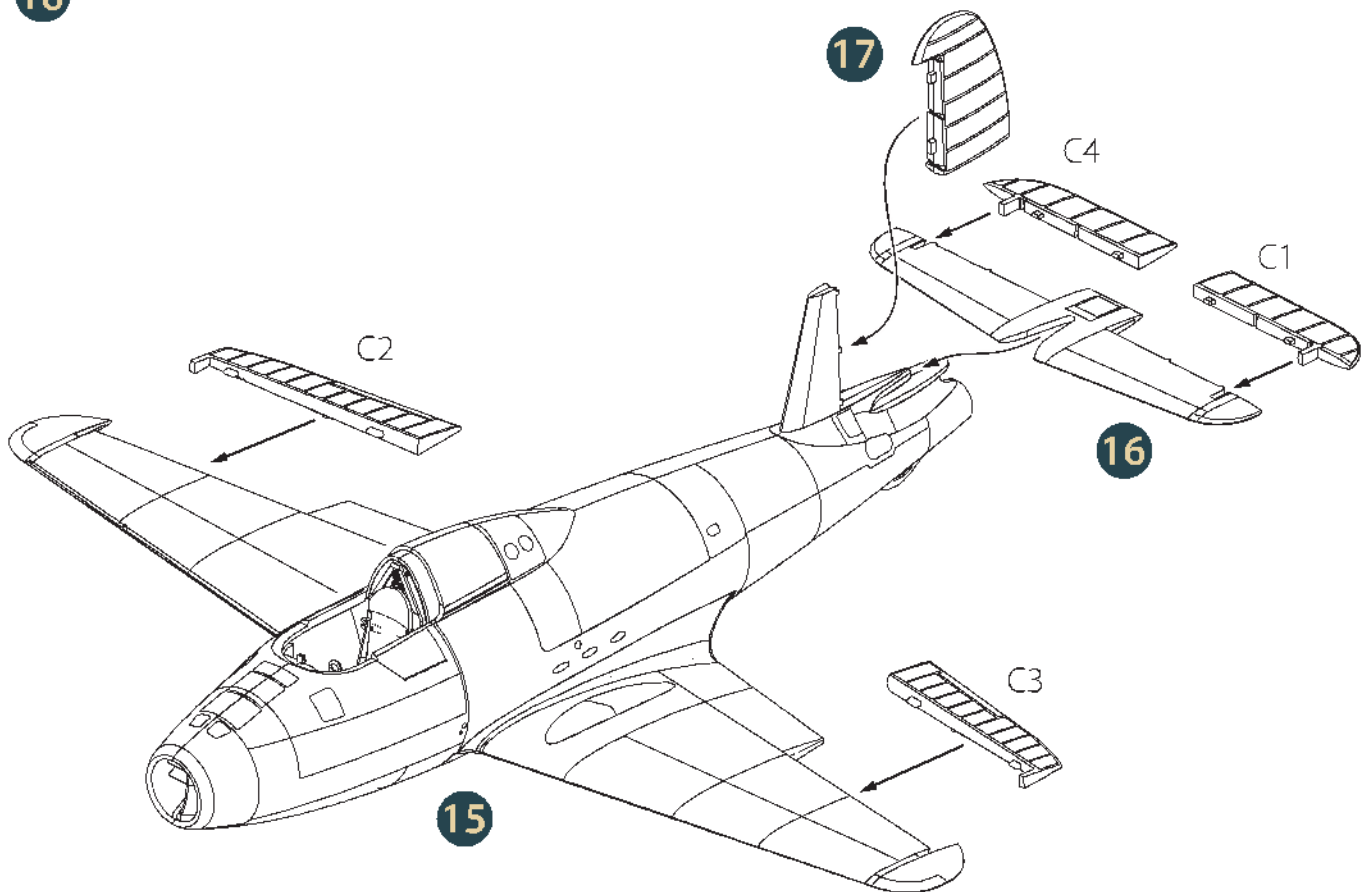
16



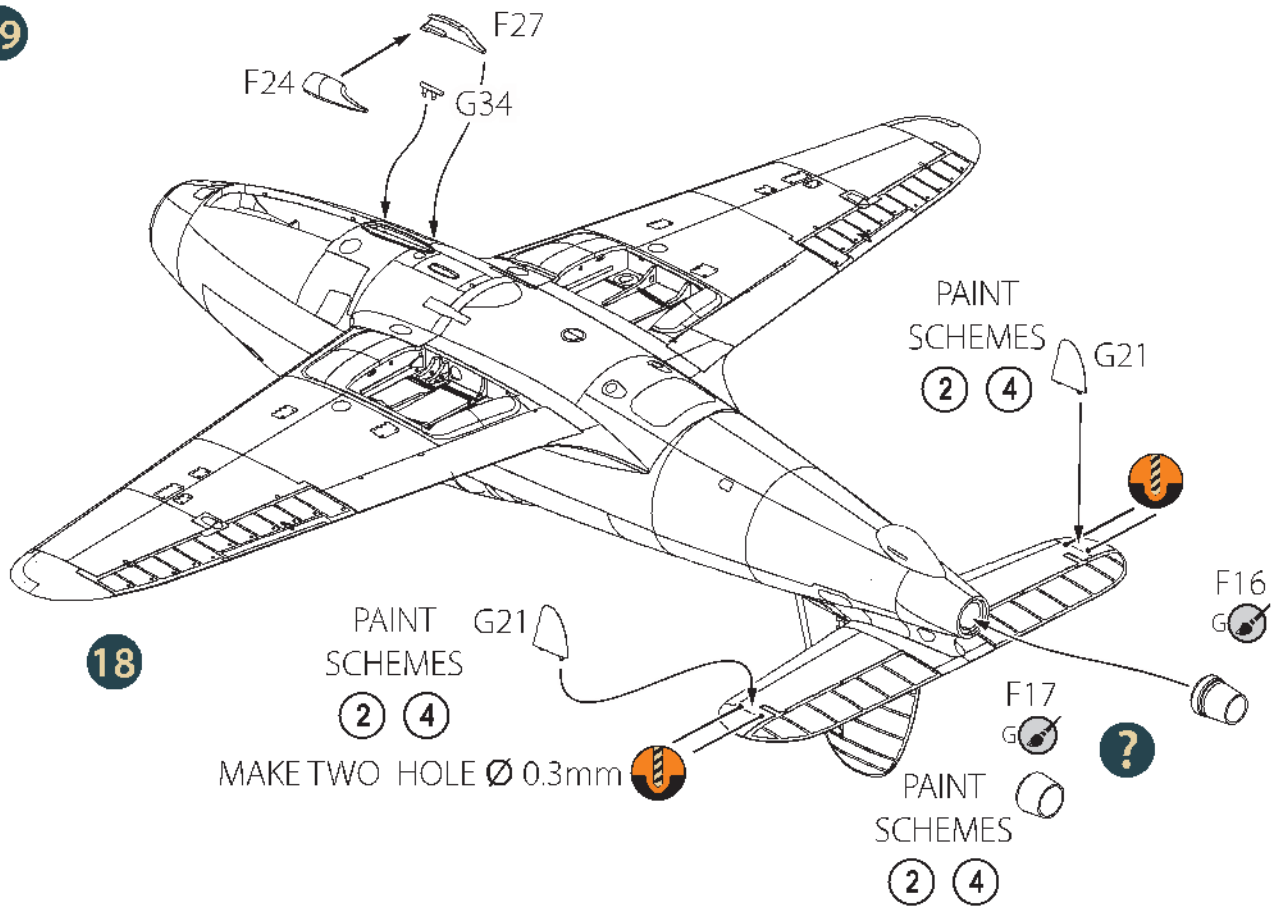
17



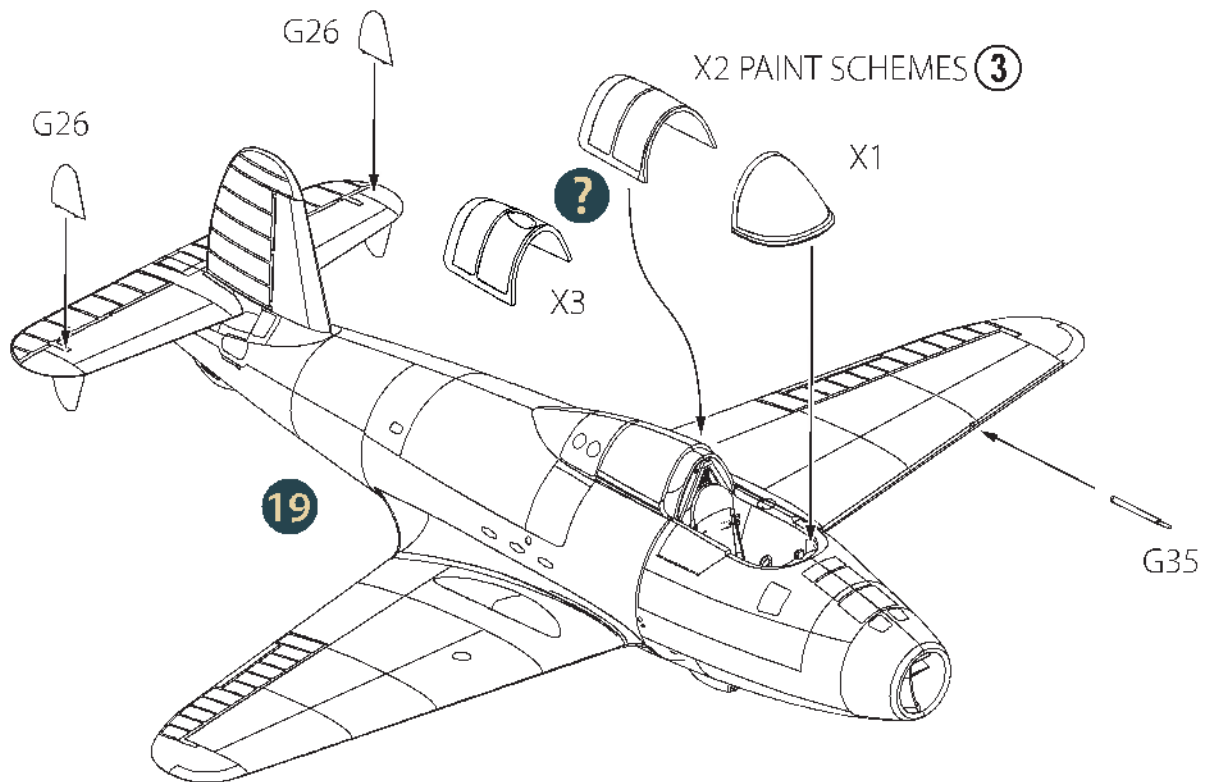
18

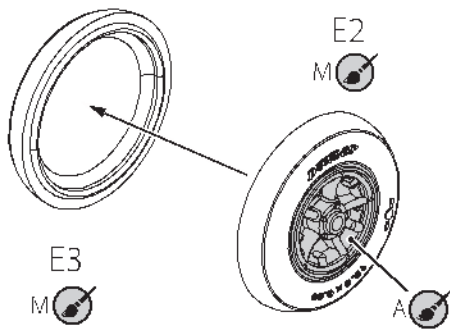
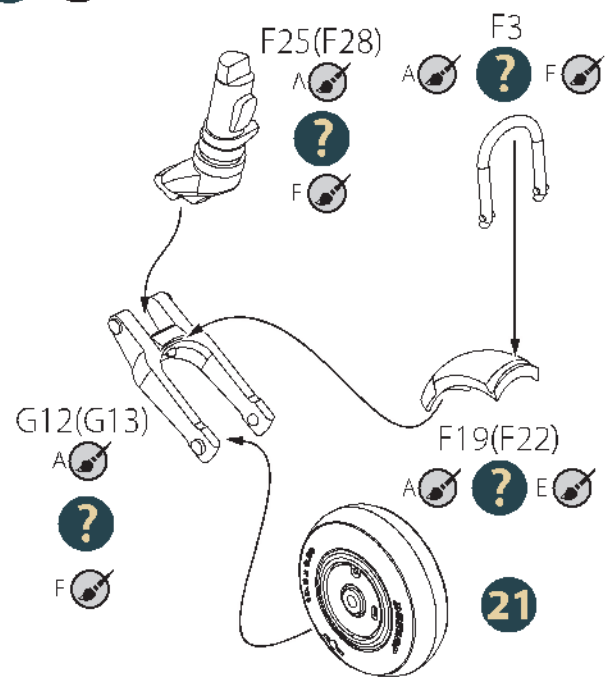
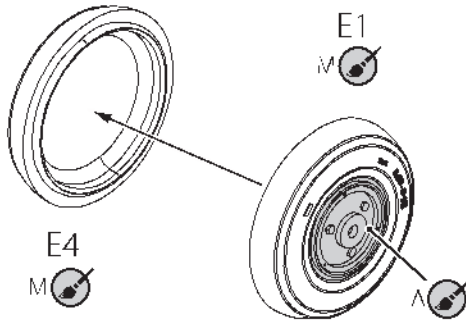


19

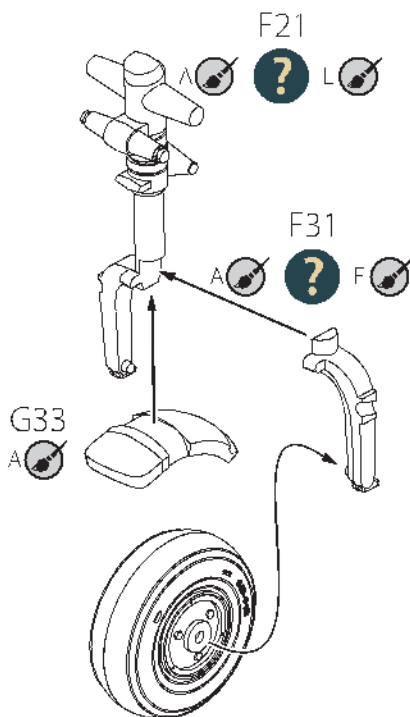
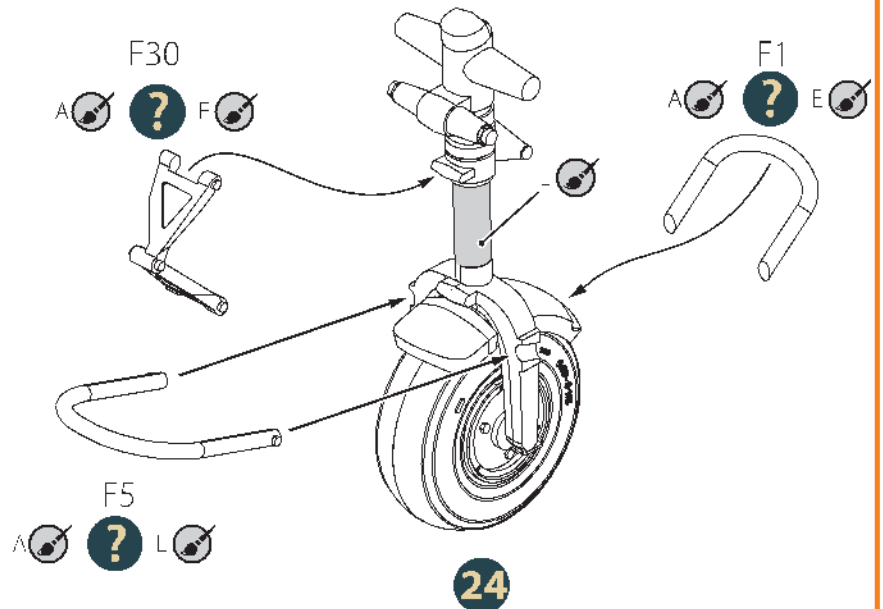


20

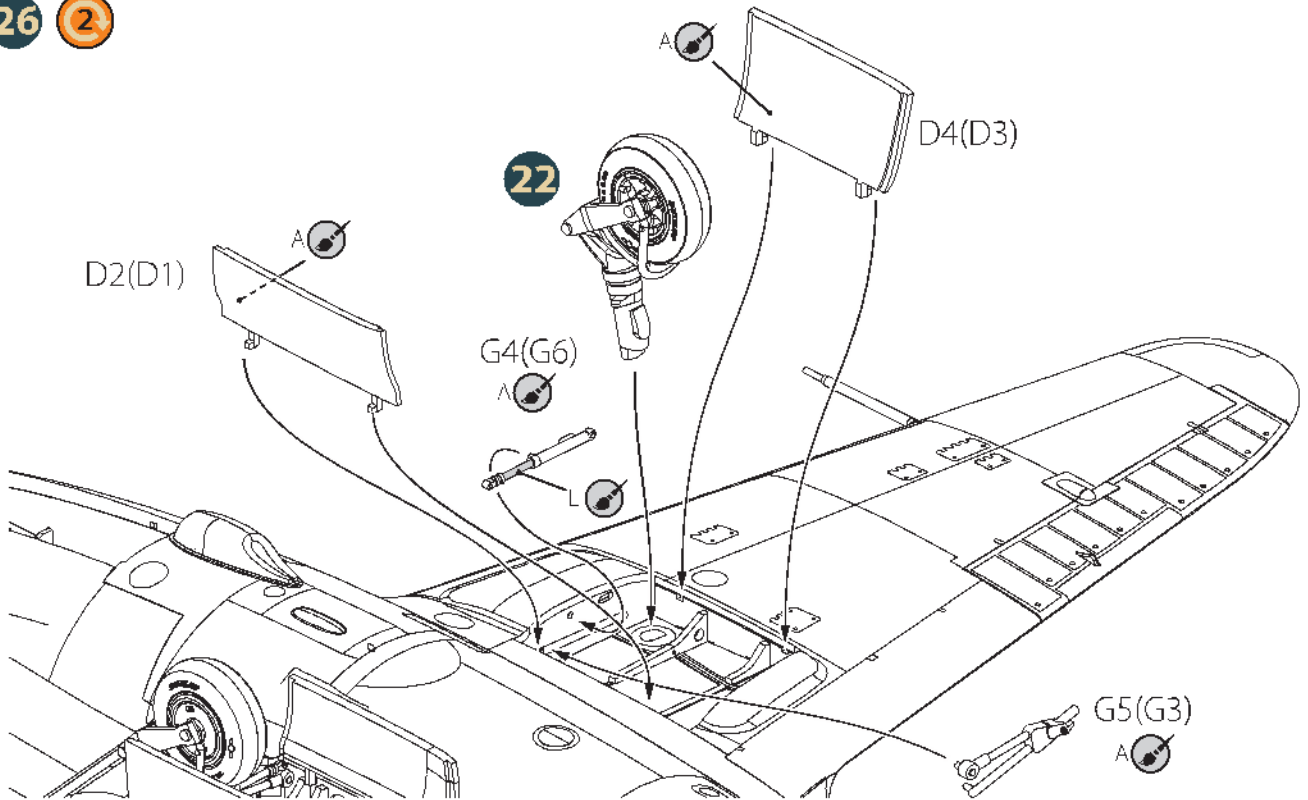
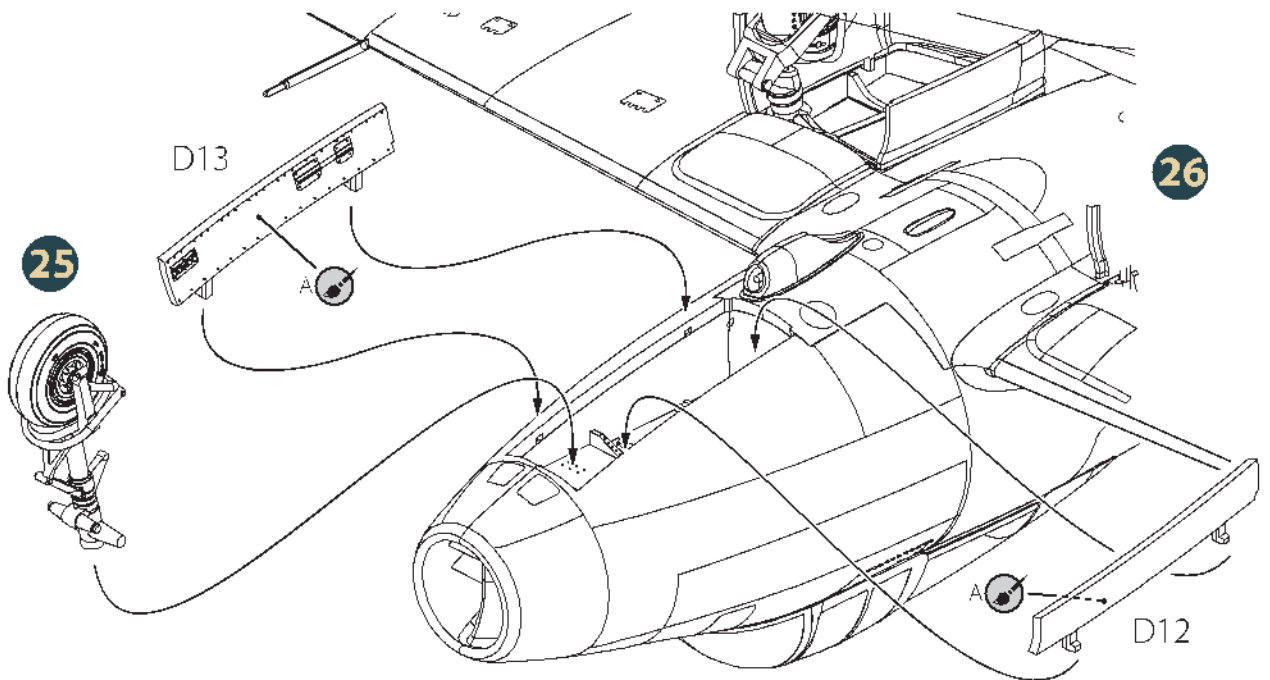


21 **2**

22 **2**

23


A PAINT SCHEMES **3**
 E PAINT SCHEMES **1 2 4**

24

25 **2**

23

A PAINT SCHEMES **3**
 E PAINT SCHEMES **1 2 4**

26 **27**

A HUMBROL 56
A.MIG-0194
ALUMINIUM

B HUMBROL 29
A.MIG-0070
DARK EARTH

C HUMBROL 116
A.MIG-0915
DARK GREEN

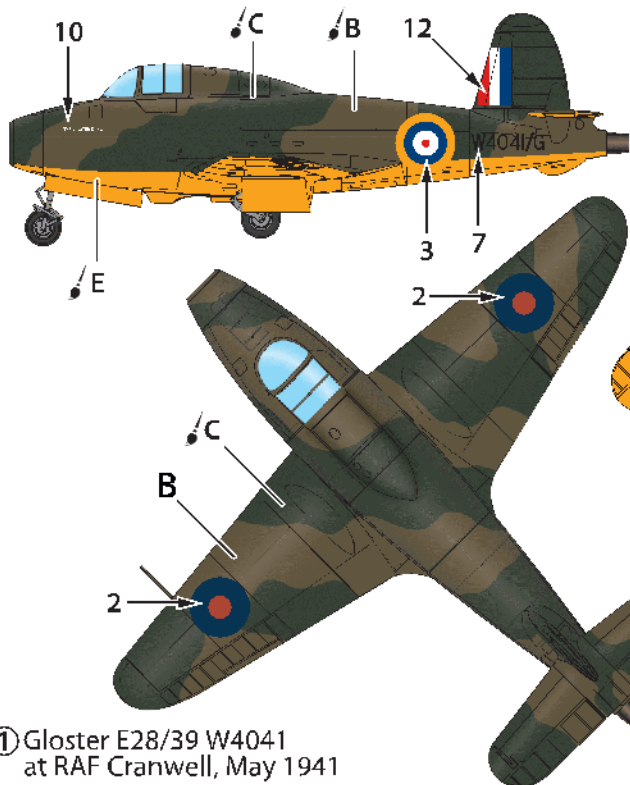
D HUMBROL 106
A.MIG-0245
OCEAN GREY

E HUMBROL 188
A.MIG-0125
TRAINER YELLOW

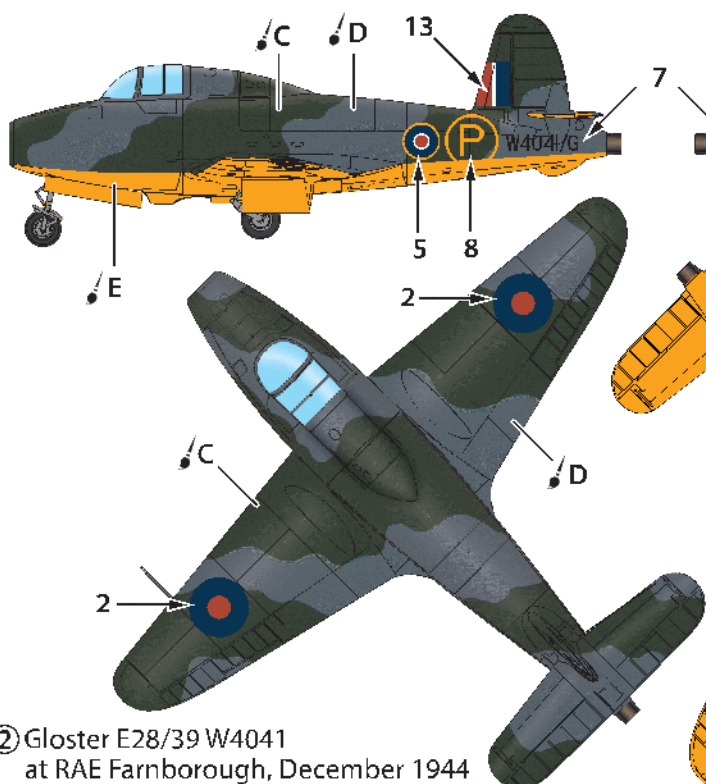
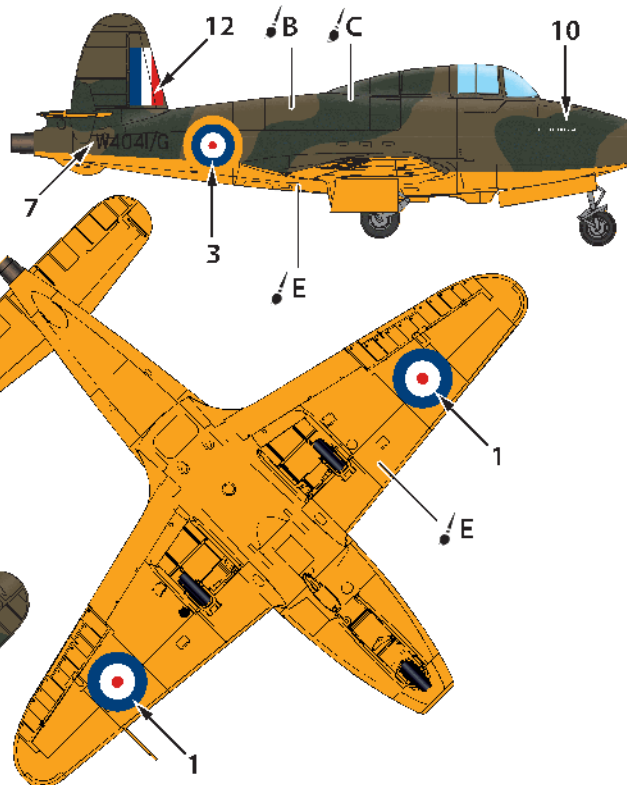
F HUMBROL 70
A.MIG-0121
DULL RED

G MR. COLOR C61
A.MIG-0191
BURNT METALL

M MR. COLOR C137
A.MIG-0033
TIRE BLACK



① Gloster E28/39 W4041
at RAF Cranwell, May 1941



② Gloster E28/39 W4041
at RAE Farnborough, December 1944



A
HUMBROL 56
A.MIG-0194
ALUMINIUM



B
HUMBROL 29
A.MIG-0070
DARK EARTH



C
HUMBROL 116
A.MIG-0915
DARK GREEN



D
HUMBROL 106
A.MIG-0245
OCEAN GREY



E
HUMBROL 188
A.MIG-0125
TRAINER YELLOW



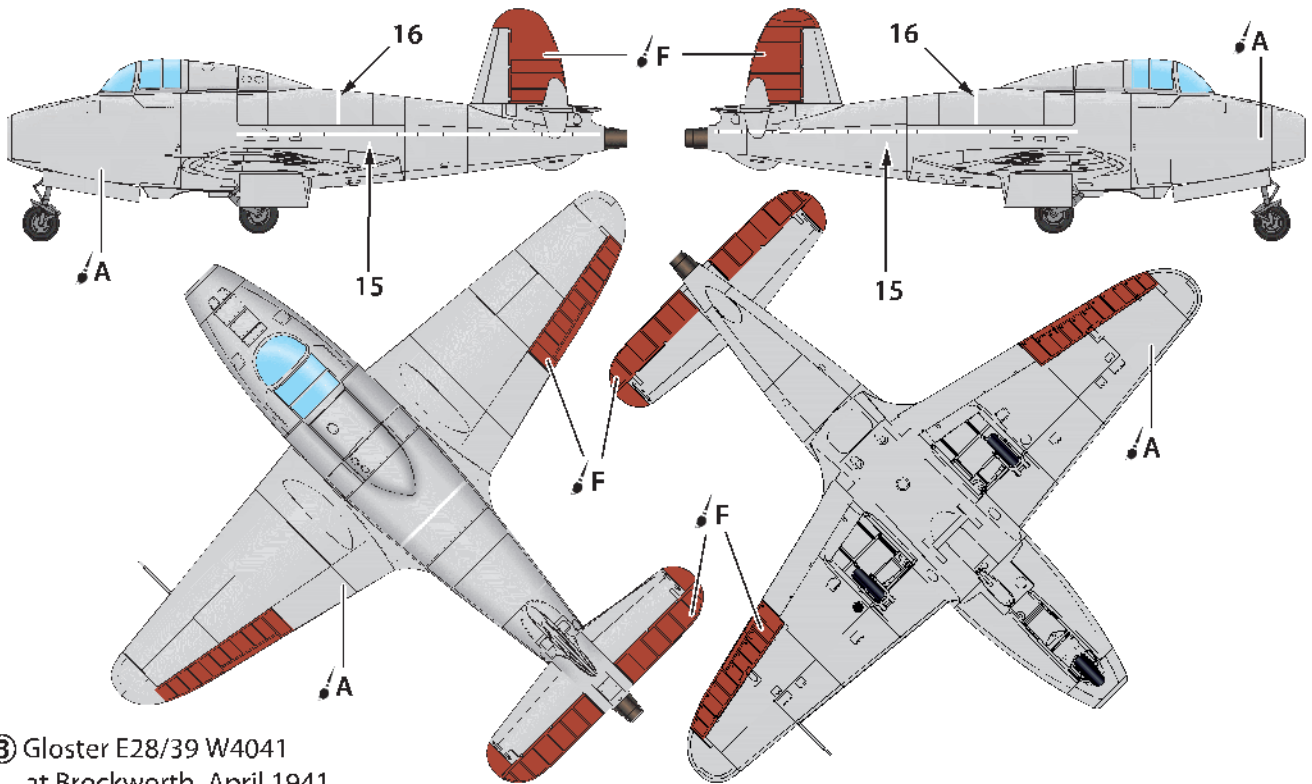
F
HUMBROL 70
A.MIG-0121
DULL RED



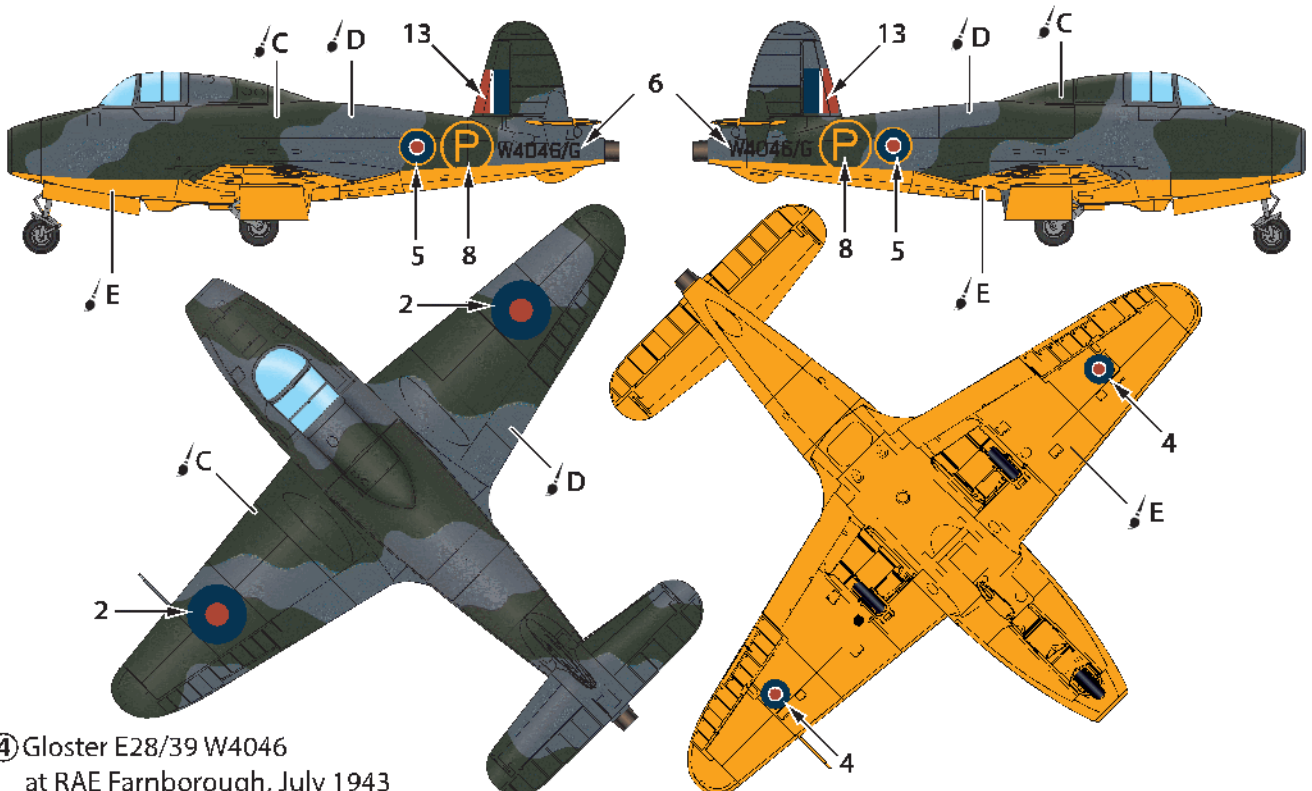
G
MR. COLOR C61
A.MIG-0191
BURNT METALL



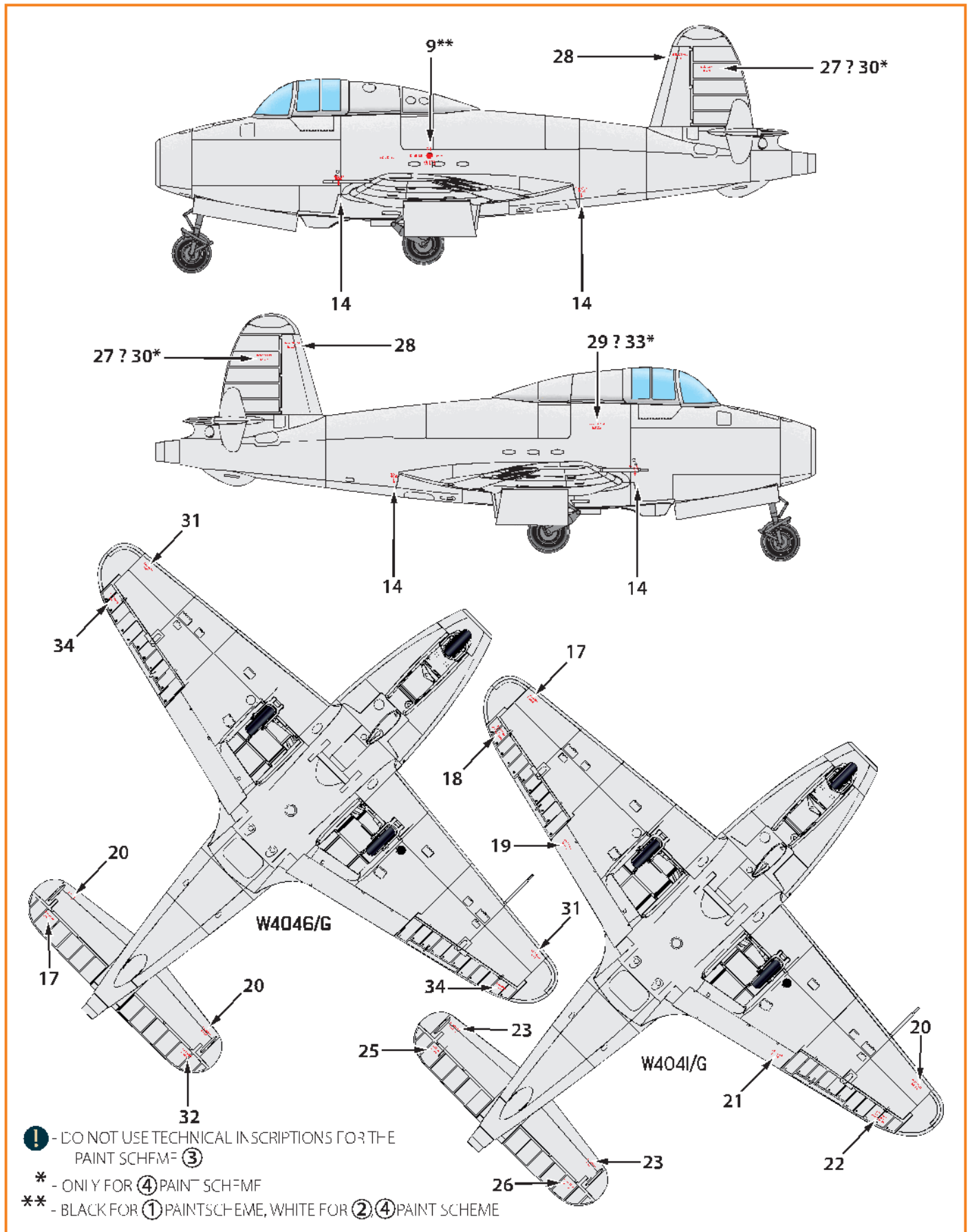
M
MR. COLOR C137
A.MIG-0033
TIRE BLACK



③ Gloster E28/39 W4041
at Brockworth, April 1941



④ Gloster E28/39 W4046
at RAE Farnborough, July 1943





VISIT OUR SITE FOR MORE SCALE MODEL KITS

clearpropmodels.com




**GLOSTER
E28/39
PIONEER**
ACCESSORIES SET FOR
CLEAR PROP KIT
1:48
#CPA48046

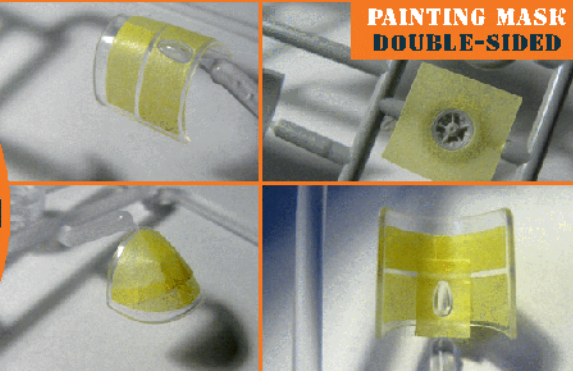


ETCHED BRASS

NUMBER OF PARTS: 15 pcs




**GLOSTER
E28/39
PIONEER**
ACCESSORIES SET FOR
CLEAR PROP KIT
1:48
#CPA48043



**PAINTING MASK
DOUBLE-SIDED**

NUMBER OF PARTS: 31 pcs



**GLOSTER
E28/39 PIONEER
ENGINE SET**
ACCESSORIES SET FOR
CLEAR PROP KIT
1:48
#CPA48045



3D PRINT

NUMBER OF PARTS: 1 pcs

✉ sales@clearpropmodels.com
f www.fb.com/Clearpropmodels