

*Clear Prop!*

**ADVANCED**



# A5M4 CLAUDE

**1:72**  
model #72010



scale model kit

SPAN: 153 mm



LENGTH: 105 mm



NUMBER OF PARTS: 136 pcs

- 1** stages of assembly **?** optional
- A** variants of assembly glue by super glue
- A1** part number do not glue
- 1** separate details make a hole
- 1** apply decals detach with knife
- 1** apply the adhesive mask paint
- bend repeat the operation N times

Role	Carrier-based fighter
Manufacturer	Mitsubishi Heavy Industries, Ltd
Designer	Jiro Horikoshi
First flight	4 February 1935
Introduction	1936
Retired	1945
Primary user	Imperial Japanese Navy Air Service
Number built	1,094

The Mitsubishi A5M, formal Japanese Navy designation Mitsubishi Navy Type 96 Carrier-based Fighter, experimental Navy designation Mitsubishi Navy Experimental 9-Shi Carrier Fighter, company designation Mitsubishi Ka-14, was a Japanese carrier-based fighter aircraft. It was the world's first monoplane shipboard fighter to enter service and the direct predecessor of the famous Mitsubishi A6M "Zero". The Allied reporting name was Claude.

In 1934, the Imperial Japanese Navy prepared a specification for an advanced fighter, requiring a maximum speed of 350 km/h at 3,000 m and able to climb to 5,000 m in 6.5 minutes. This 9-shi (1934) specification produced designs from both Mitsubishi and Nakajima.

Mitsubishi assigned the task of designing the new fighter to a team led by Jiro Horikoshi. The resulting design, designated Ka-14 by Mitsubishi, was an all-metal low-wing fighter. The first prototype, powered by a 600 hp Nakajima Kotobuki 5 radial engine, flew on 4 February 1935. The aircraft far exceeded the requirements of the specification, with a maximum speed of 450 km/h being reached. The second prototype was fitted with a revised, ungulled wing, and was ordered into production as the A5M.

## REQUIRED PAINTS



**A** MR. COLOR 8  
A.MIG-0195  
SILVER



**B** MR. COLOR 3  
A.MIG-0049  
RED



**C** MR. COLOR 47  
A.MIG-0093  
CLEAR RED



**D** MR. COLOR 50  
A.MIG-0098  
CLEAR BLUE



**E** MR. COLOR 131  
A.MIG-0034  
PROPELLER COLOR



**F** MR. COLOR 125  
A.MIG-0907  
COWLING COLOR



**G** MR. COLOR 28  
A.MIG-0191  
STEEL



**H** MR. COLOR 41  
A.MIG-0014  
RED BROWN



**I** MR. COLOR 2  
A.MIG-0046  
BLACK SCHWARZ



**J** MR. COLOR 126  
A.MIG-0270  
COCKPIT COLOR



**K** MR. COLOR 35  
A.MIG-0258  
IJN GRAY



**L** MR. COLOR 61  
A.MIG-0187  
BURNT IRON



**M** MR. COLOR 137  
A.MIG-0033  
TIRE BLACK



**N** MR. COLOR 1  
A.MIG-0050  
WHITE

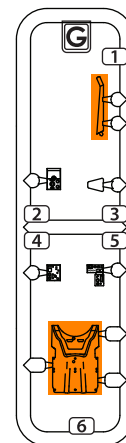
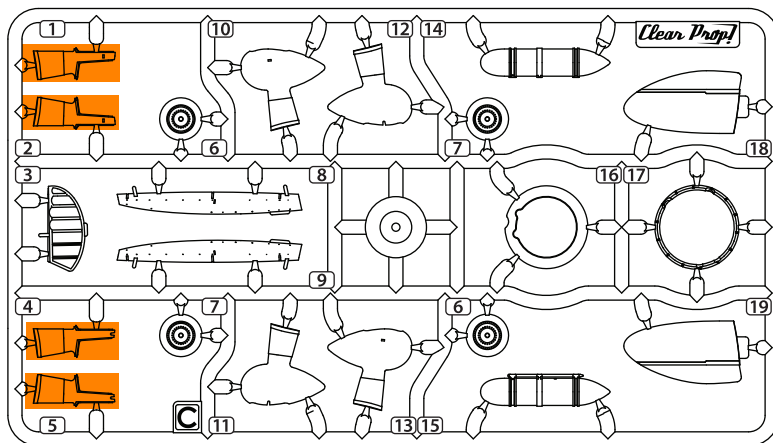
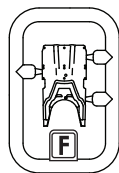
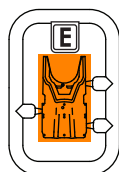
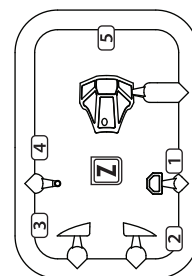
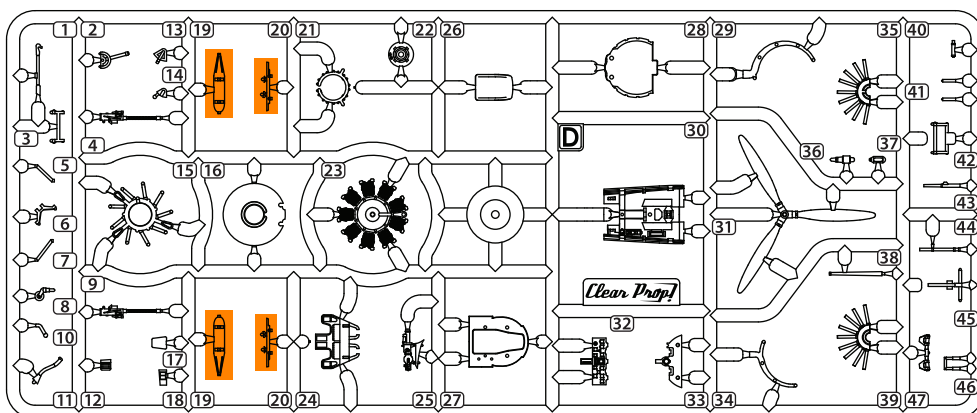
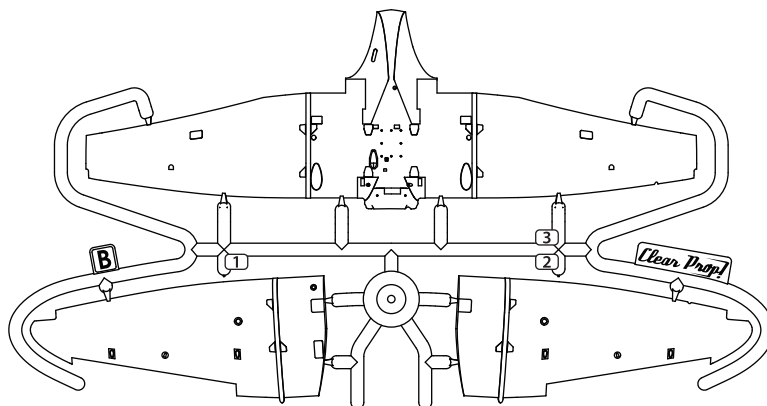
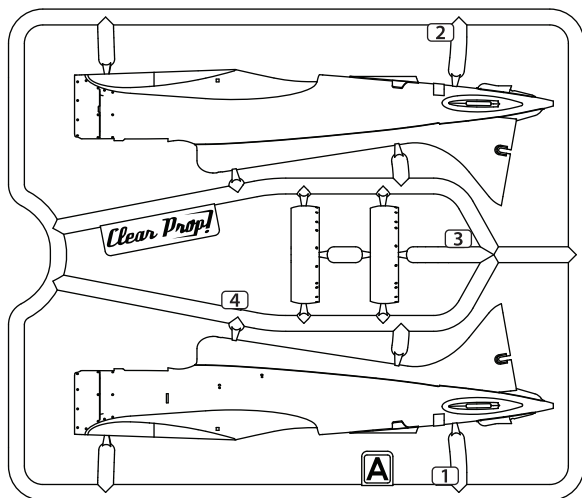


**O** MR. COLOR 336  
A.MIG-0905  
HEMP

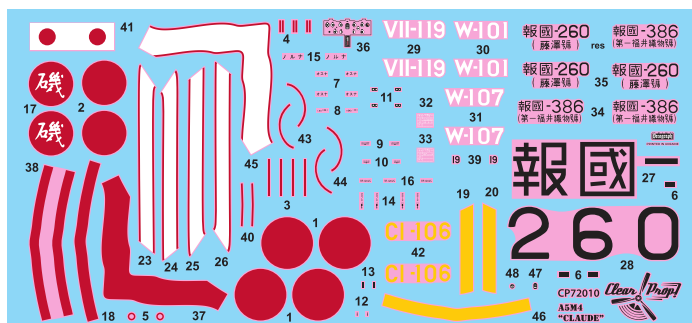


**AMMO**  
by MIG Jimenez

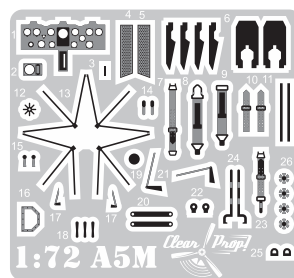
THIS MODEL IS PRODUCED FOR EXPERIENCED MODELERS OVER 14 YEARS



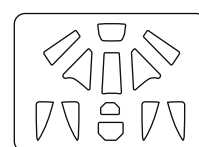
DECAL SHEET



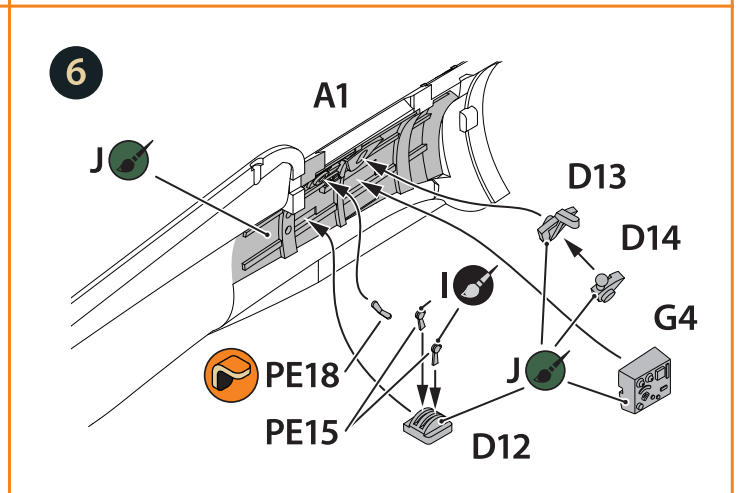
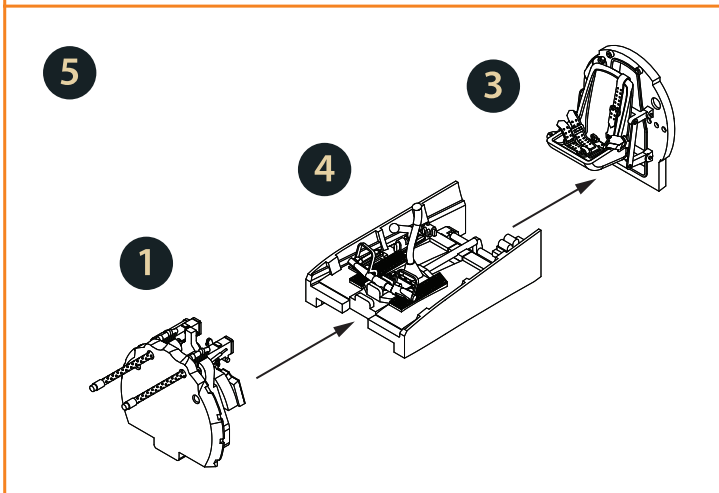
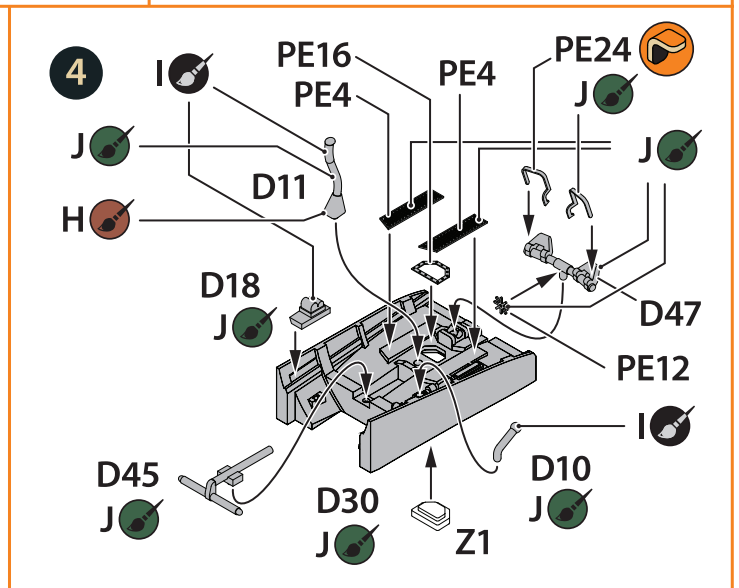
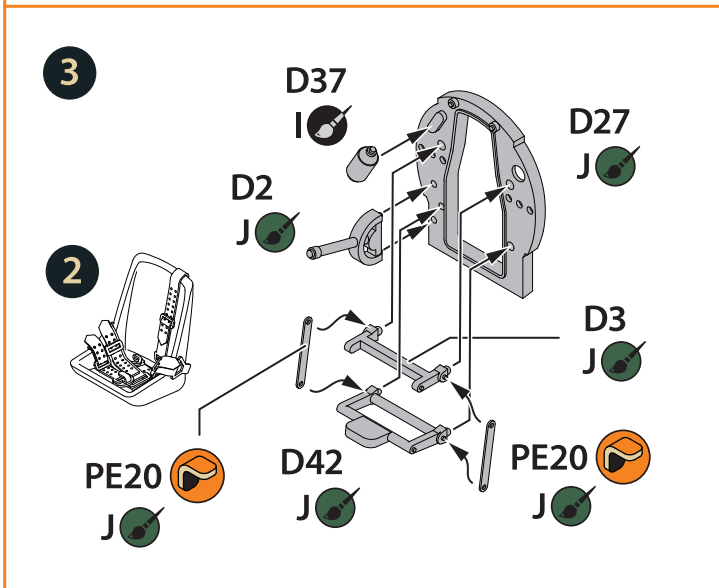
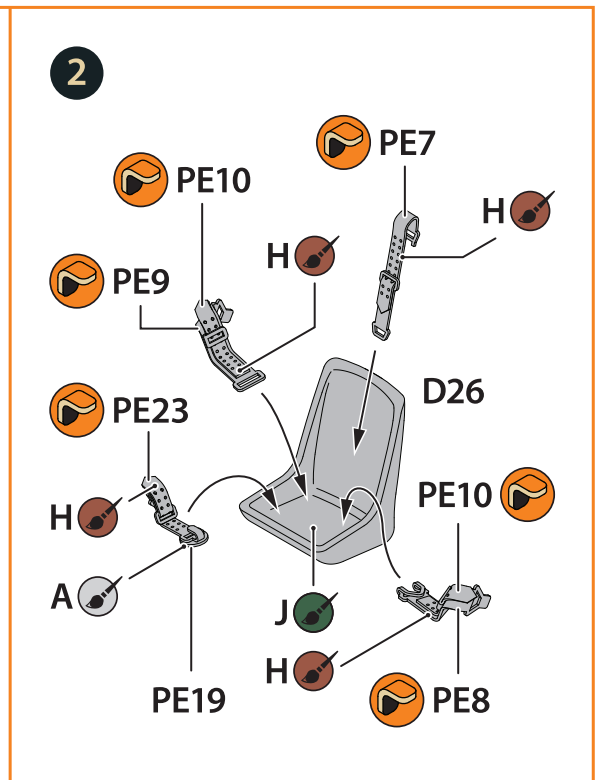
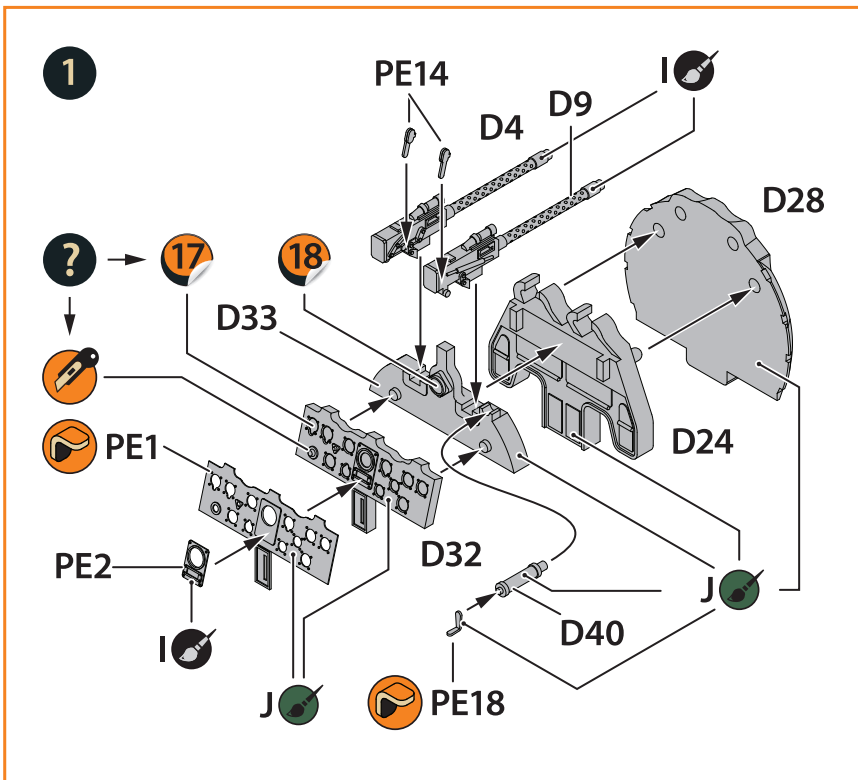
PHOTOETCHED PARTS

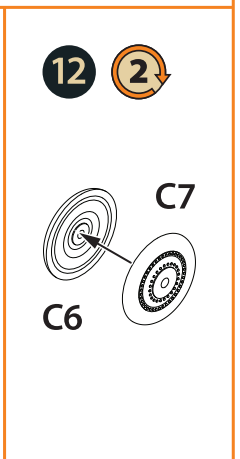
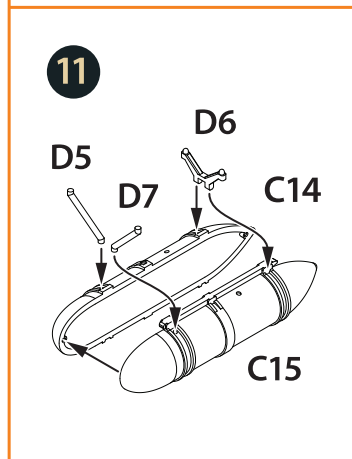
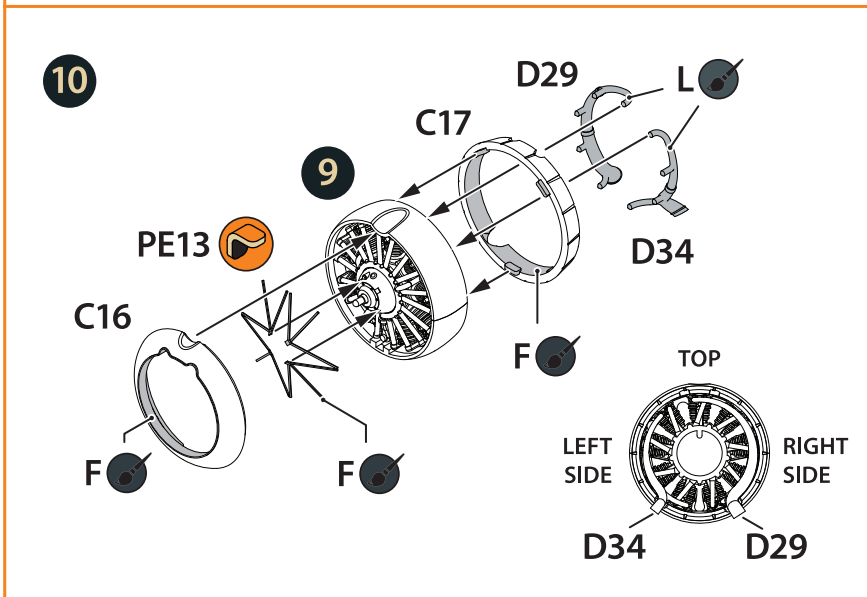
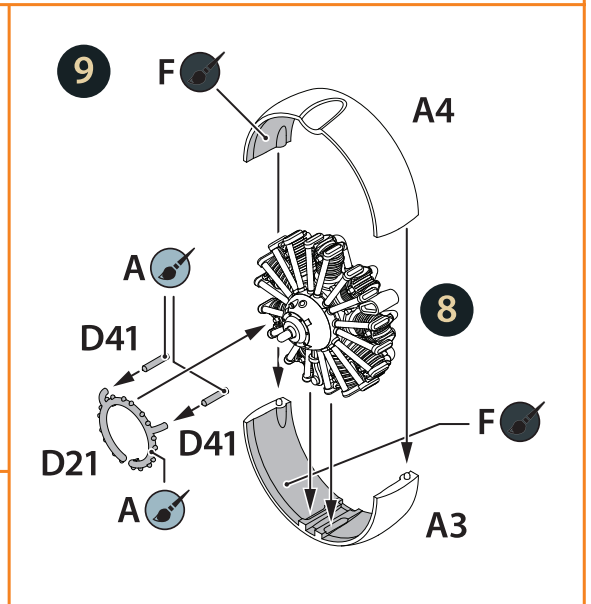
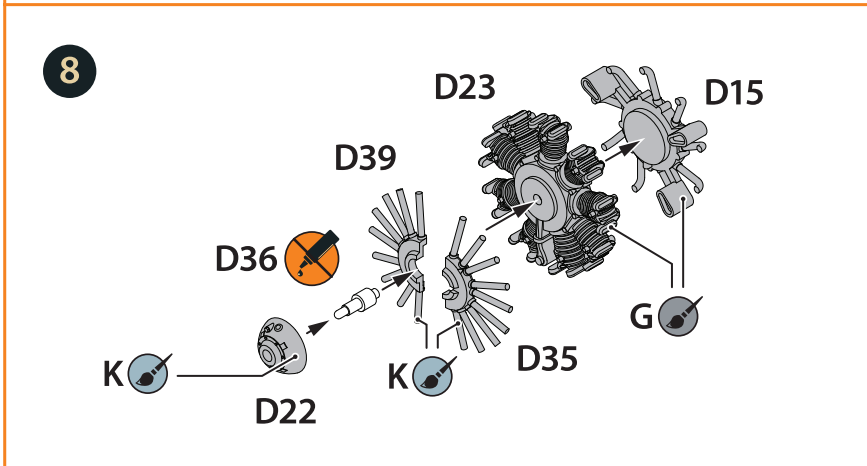
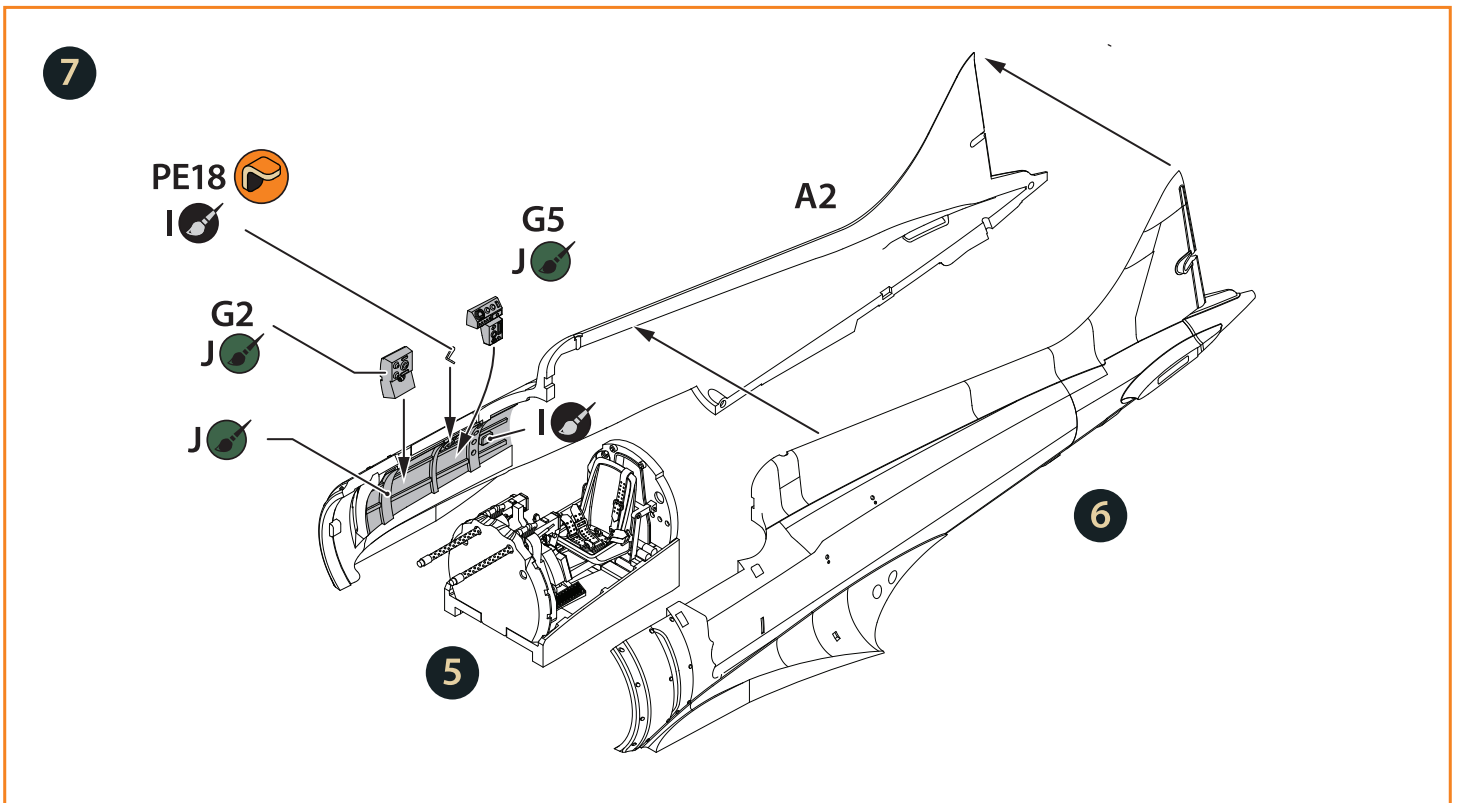


MASKS

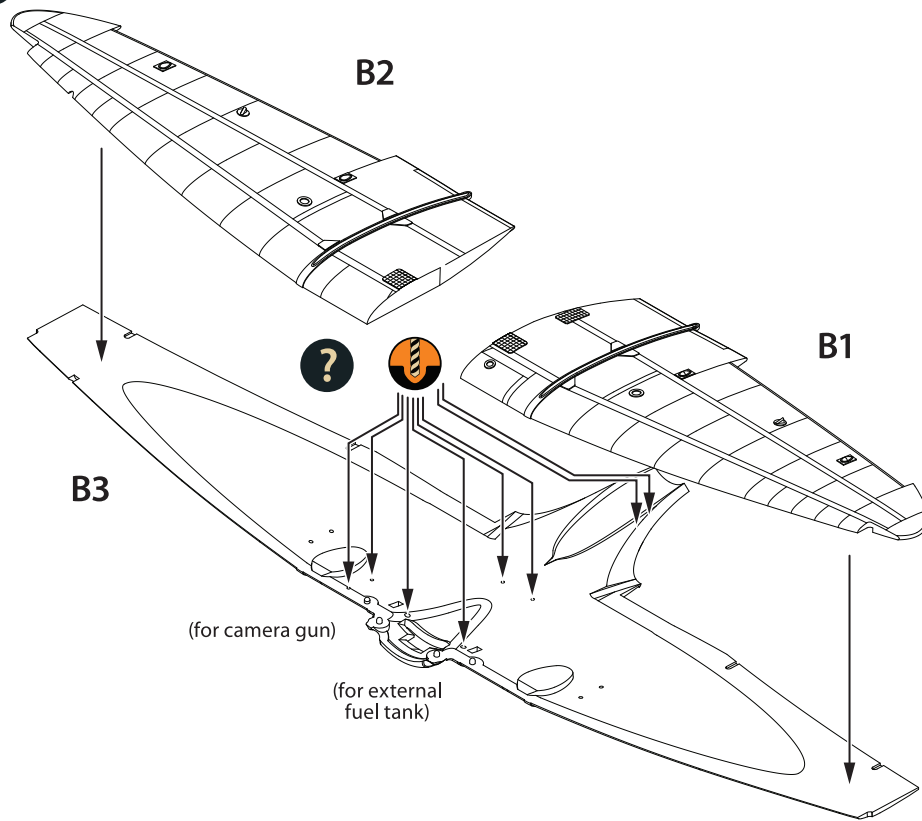


Parts not for use

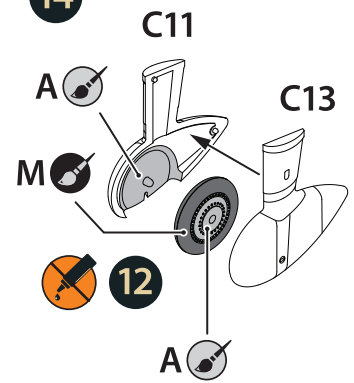




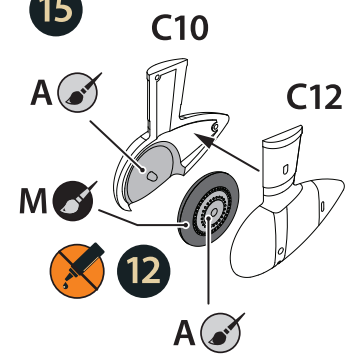
13



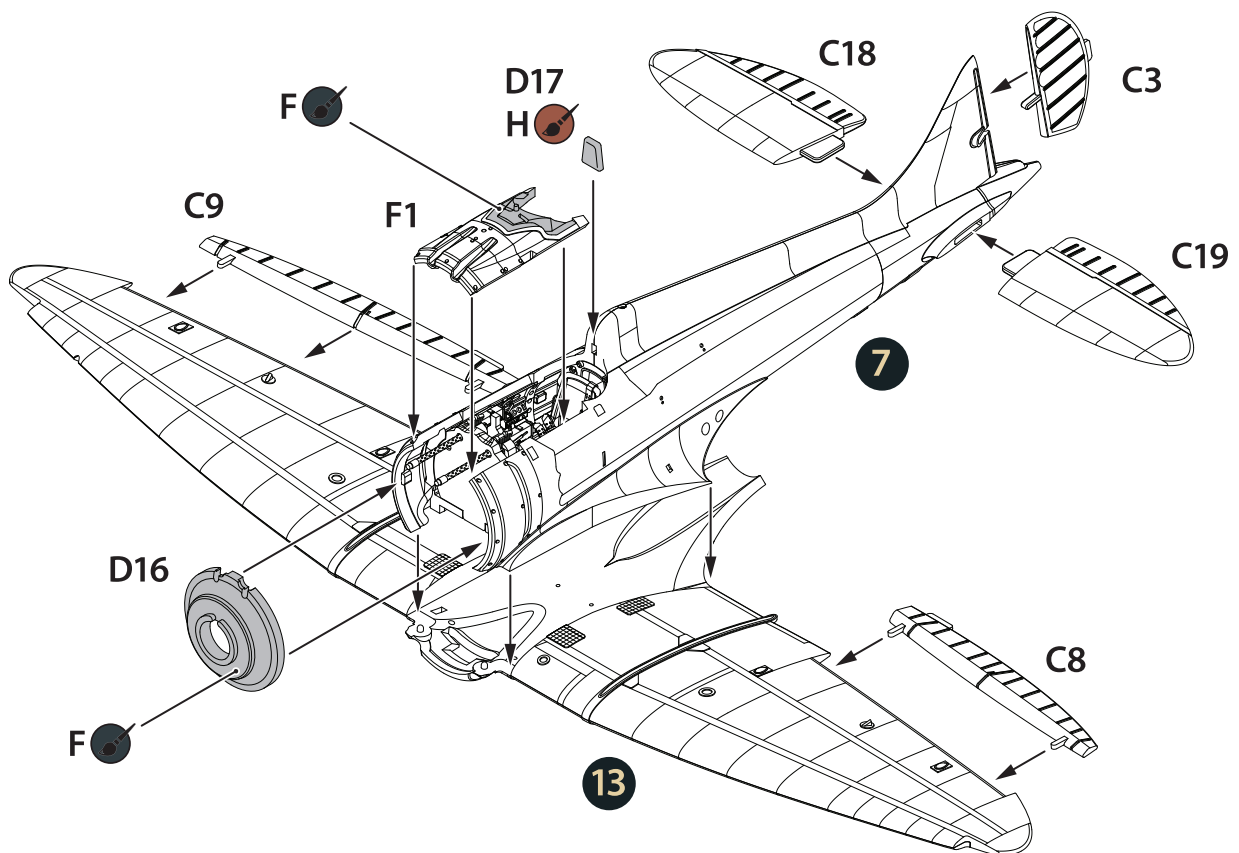
14

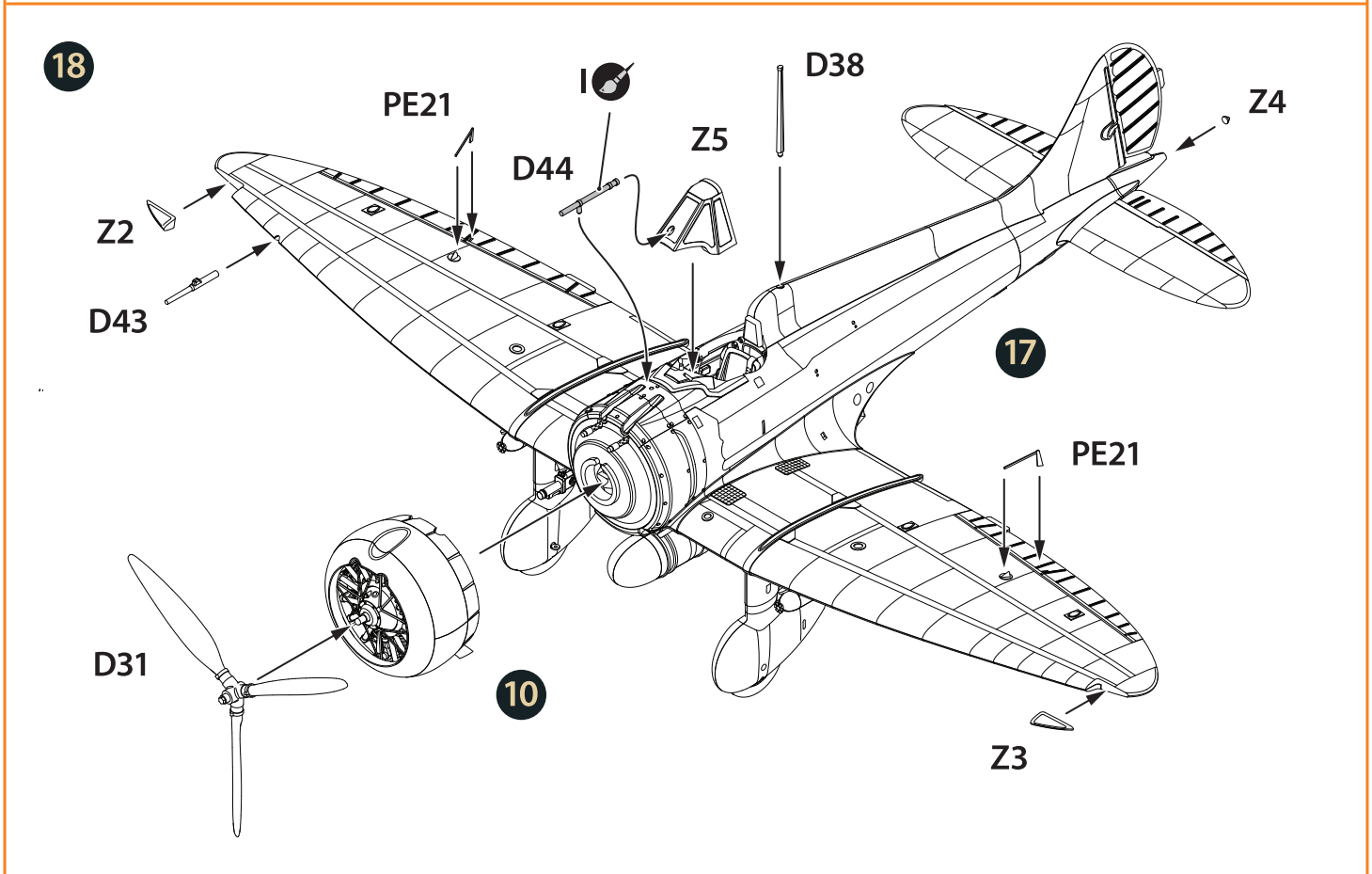
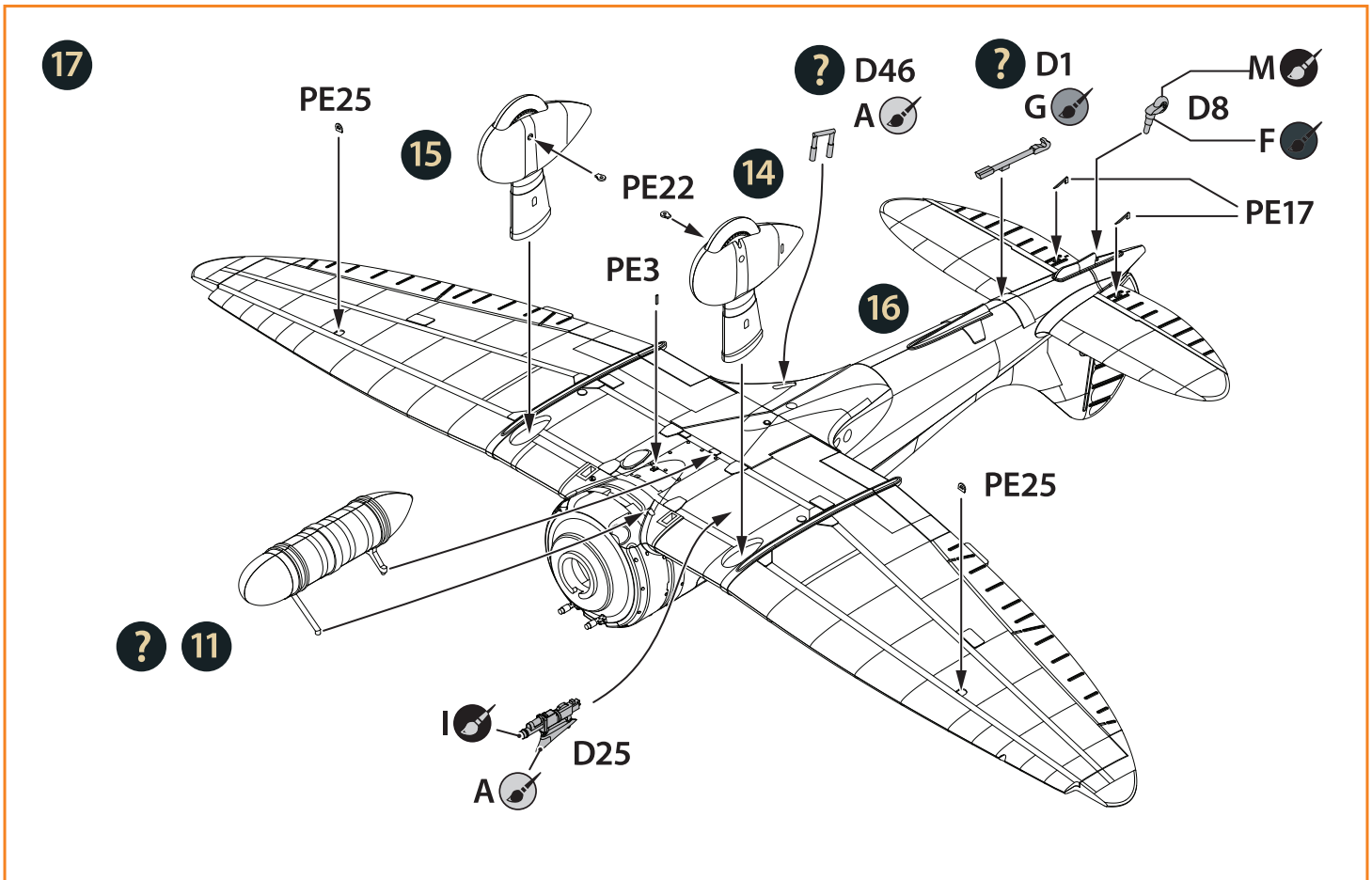


15



16







**A**  
MR. COLOR 8  
A.MIG-0195  
SILVER



**B**  
MR. COLOR 3  
A.MIG-0049  
RED



**C**  
MR. COLOR 47  
A.MIG-0093  
CLEAR RED



**D**  
MR. COLOR 50  
A.MIG-0098  
CLEAR BLUE



**E**  
MR. COLOR 131  
A.MIG-0034  
PROPELLER COLOR



**F**  
MR. COLOR 125  
A.MIG-0907  
COWLING COLOR

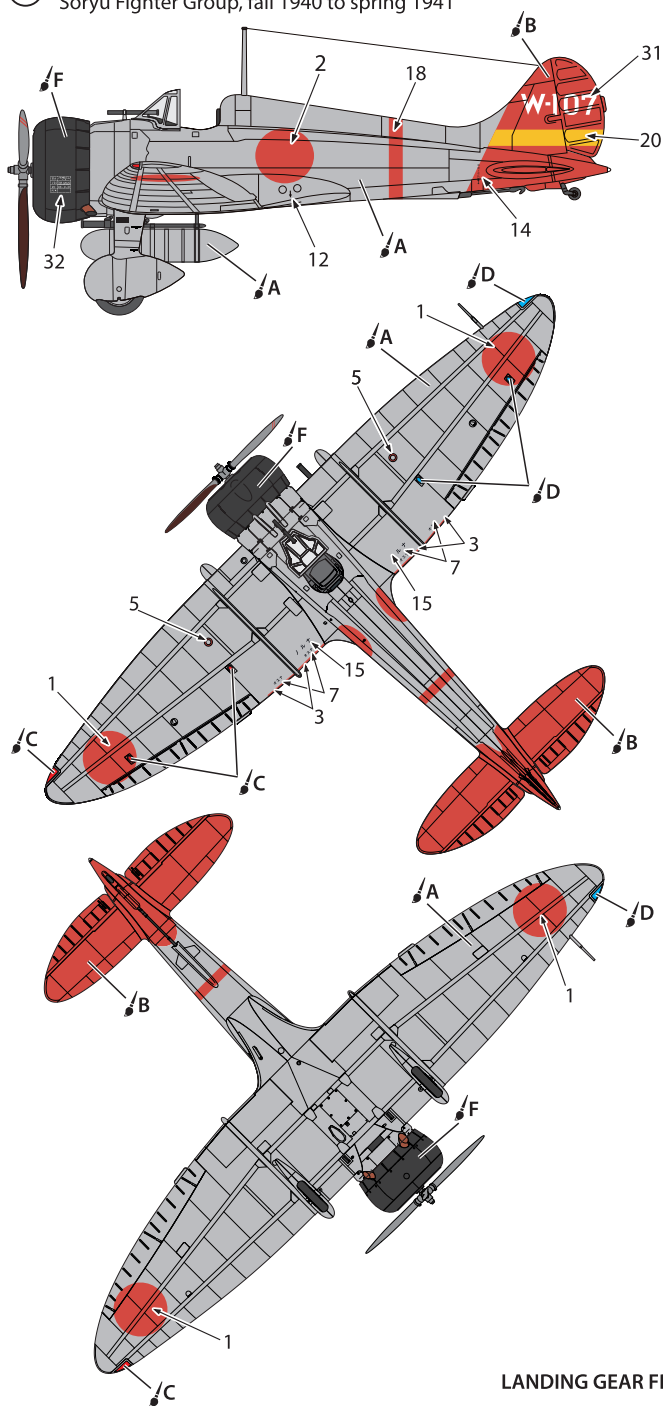


**G**  
MR. COLOR 28  
A.MIG-0191  
STEEL

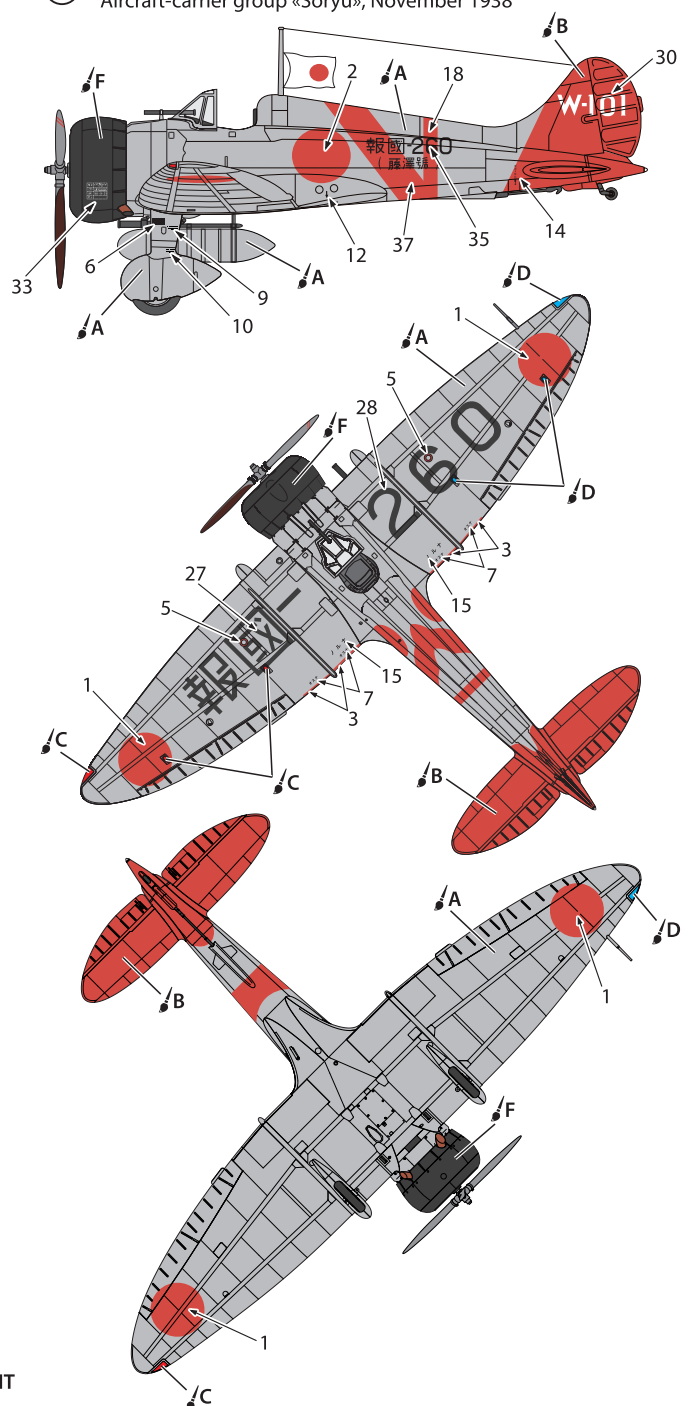


**H**  
MR. COLOR 41  
A.MIG-0014  
RED BROWN

① IJN Type 96 carrier-based fighter IV  
Soryu Fighter Group, fall 1940 to spring 1941



② IJN Type 96 carrier-based fighter IV, Tamotsu Yokoyama  
Aircraft-carrier group «Soryu», November 1938



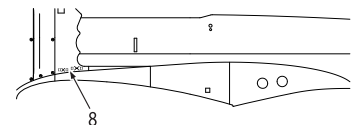
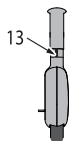
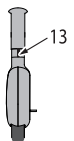
LANDING GEAR FRONT



**N**  
MR. COLOR 1  
A.MIG-0050  
WHITE



**O**  
MR. COLOR 336  
A.MIG-0905  
HEMP





**A**  
MR. COLOR 8  
A.MIG-0195  
SILVER



**B**  
MR. COLOR 3  
A.MIG-0049  
RED



**C**  
MR. COLOR 47  
A.MIG-0093  
CLEAR RED



**D**  
MR. COLOR 50  
A.MIG-0098  
CLEAR BLUE



**E**  
MR. COLOR 131  
A.MIG-0034  
PROPELLER COLOR



**F**  
MR. COLOR 125  
A.MIG-0907  
COWLING COLOR

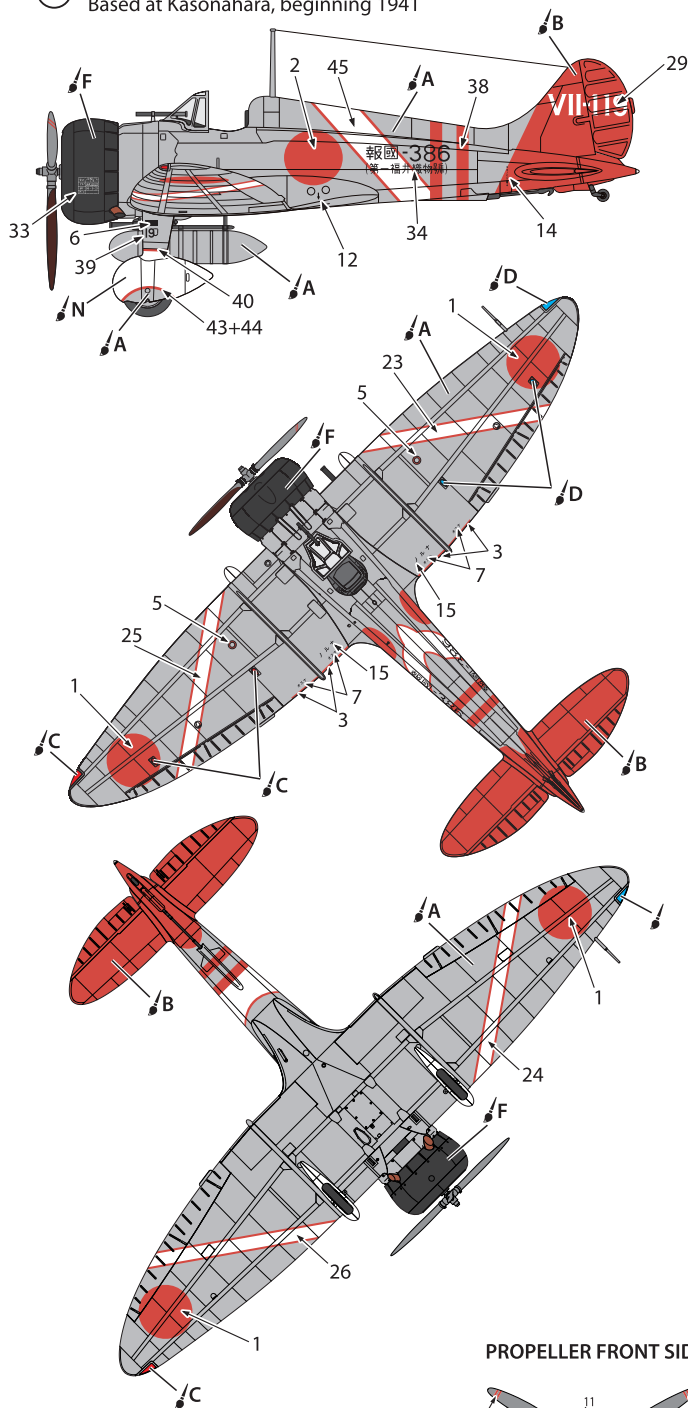


**G**  
MR. COLOR 28  
A.MIG-0191  
STEEL

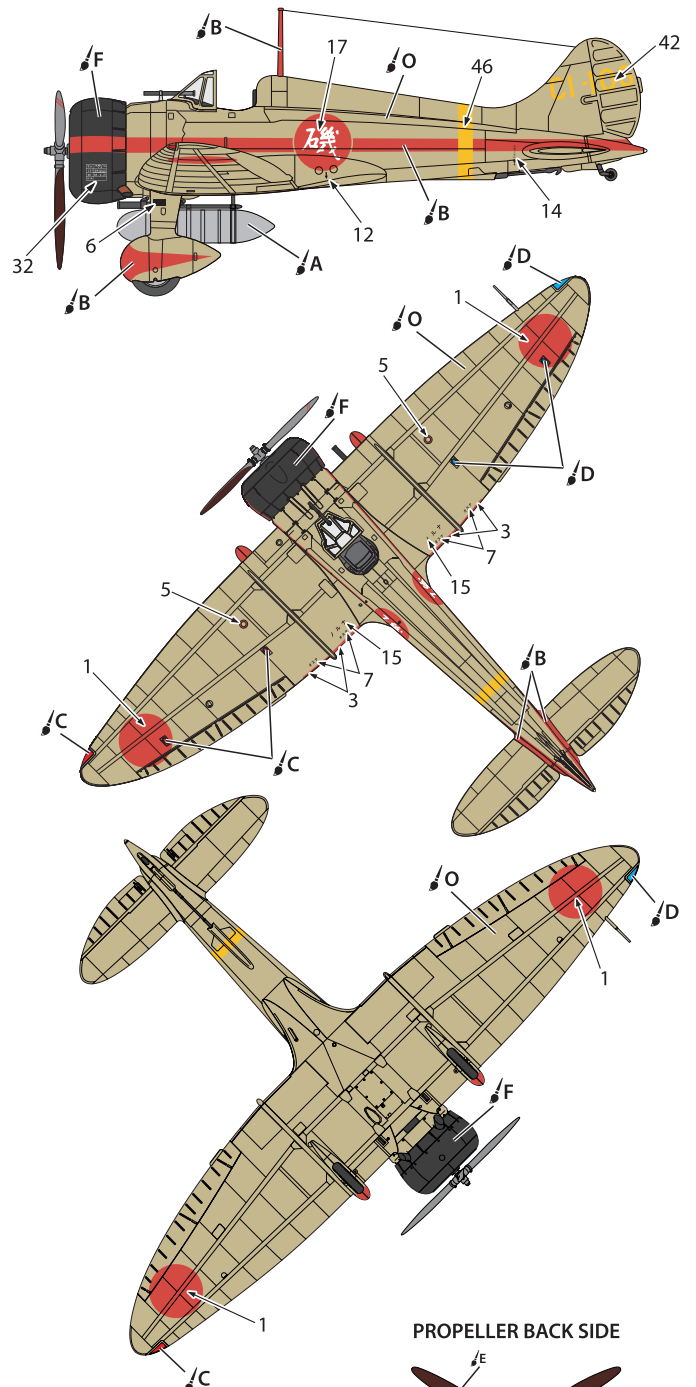


**H**  
MR. COLOR 41  
A.MIG-0014  
RED BROWN

**3** IJN Type 96 carrier-based fighter IV  
Based at Kasonahara, beginning 1941



**4** IJN Type 96 carrier-based fighter IV  
Aircraft-carrier group «Hosho», early 1942

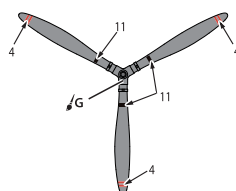


**N**  
MR. COLOR 1  
A.MIG-0050  
WHITE



**O**  
MR. COLOR 336  
A.MIG-0905  
HEMP

PROPELLER FRONT SIDE



PROPELLER BACK SIDE

