

Novinky v řadě Military Vehicle / News in the Military Vehicle series:



Morris CS9 British Light Armored Car 'Battle of France'

MV132

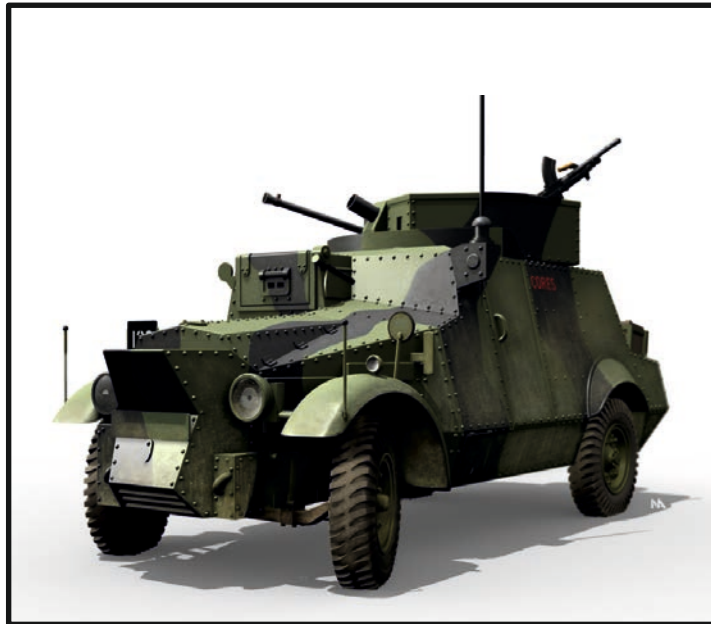
1/72

DETAILNÍ
STAVEBNICE
S RESINOVÝMI,
3D TIŠTĚNÝMI,
LEPTANÝMI DÍLY
A OBTISKY

DETAILED KIT
CONTAINS RESIN,
3D PRINTED,
P-E PARTS
AND DECAL



MADE IN THE CZECH
REPUBLIC



Highly detailed resin kit,
includes P-E fret, decals
and 3D printed parts



Odlévaný model / All resin kit

MV134
1/72

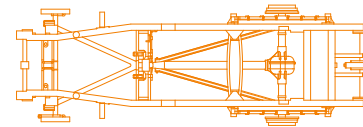
Fordson WOT2 E (15CWT) 'Wooden Cargo Bed'

Visit our official website and e-shop at

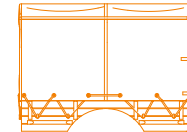
www.cmkkits.com
www.specialhobby.eu

www.facebook.com/specialhobby

3D-Printed Parts



PP1

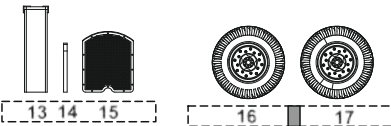


PP2

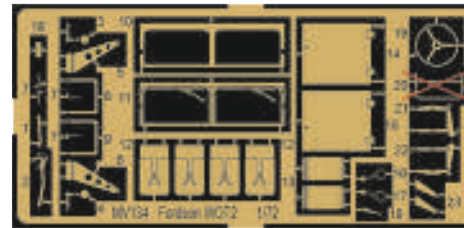


PP3

PUR - Polyurethane parts



PE - Photo-etched parts



Obtisky / Decals



Fólie / Foil

Resinové díly ohnuté popř. pokroucené vlivem teplotních změn a stárnutí materiálu, mohou být narovnány do požadovaného tvaru pomocí proudu teplé vody nebo vzduchu (fén na vlasy). Ohnuté 3D tisky narovnejte ponořením do horké vody, srovnejte je a zchladte studenou vodou. K lepení použijte kyanoakrylátové lepidlo! Kontaktní plochy doporučujeme před lepením odmastit. Různé drátky a tyčinky nejsou přiloženy.

Parts slightly distorted and bent owing to temperature changes or due to material aging can be straightened to requested shape by hot water or hot air jet (hair dryer). This process can be repeated till result is entirely satisfactory. You can also correct bent 3D printed parts: put them into hot water, straighten them and cool them in cold water.

For best result use cyanoacrylate glue! Ungreasing contact areas is recommended before gluing.
Wires and rods not included.

SYMBOLS

MOŽNOST VOLBY
OPTIONAL
NACH BELIEBEN
OPTION

POUŽÍJTE KYANOAKRYLÁTOVÉ LEPIDLO
INSTANT CYANOACRYLATE GLUE
ZYANOAKRYLATKLEBER
ADHESIF CYANOACRYLAT

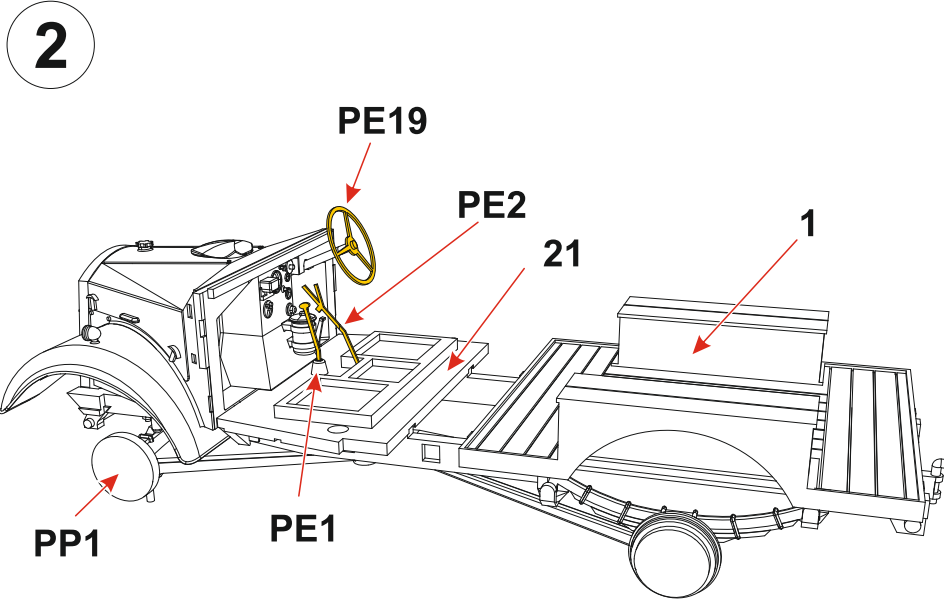
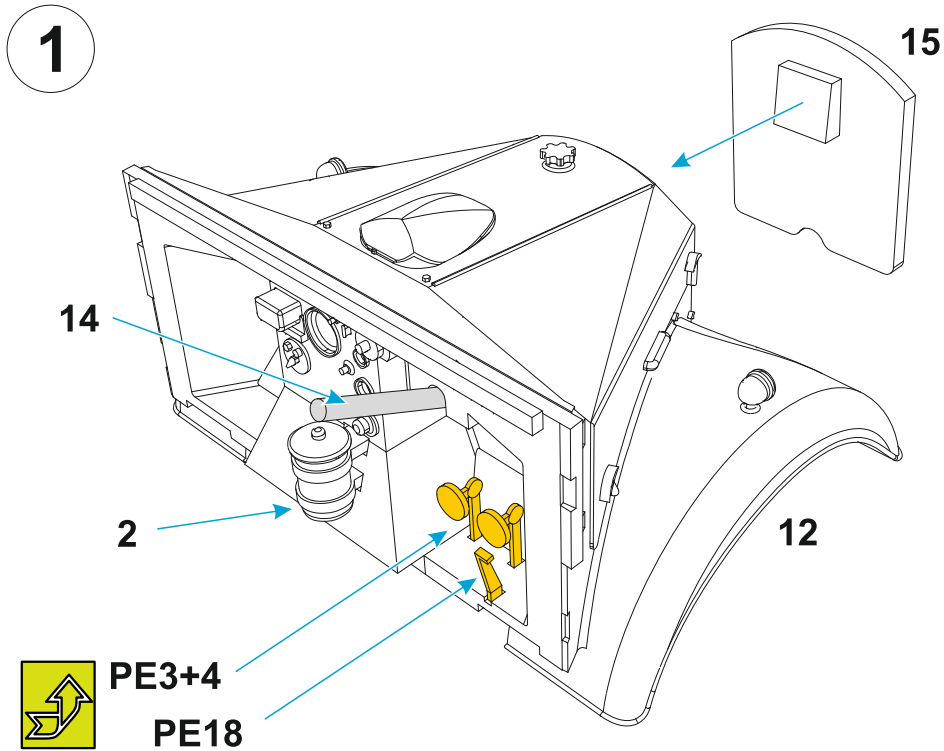
OHNOUT
BEND
BIEGEN
COURBER

ZHOTOVIT NOVĚ
SCRATCH BUILD
FERTIGSTELLEN
ACHEVER

ŘEZATÍ/VRTAT
CUT OFF/DRIILL
ENTFERNEN
DETACHER

GSI
colours code
NATŘÍT
COLOUR
FARBEN
PEINDEN

Producer: Special Hobby, Mezilesí 718, 193 00 Praha 9, Czech Republic



Novinky v řadě Military Vehicle / News in the Military Vehicle series:

60 cm Flak Scheinwerfer (Flak Sw-36) mit Sd.Ah.51 'Světlomet 60N s vlekem'

MILITARY VEHICLE
MV130
1/72

DETAILNÍ 3D TISŤENÁ STAVEBNICE
DETAILED 3D PRINTED KIT

MADE IN THE CZECH REPUBLIC

15 cm TbttsK C/36 'WWII German Atlantic Wall Gun'

MILITARY VEHICLE
MV126
1/72

DETAILNÍ RESINOVÝ MODEL S LEPTY
DETAILED RESIN KIT WITH PE FRET

MADE IN THE CZECH REPUBLIC

Elektrischer Generator 8kw für Flak Sw-36 mit Sd.Ah.51

MILITARY VEHICLE
MV131
1/72

DETAILNÍ 3D TISŤENÁ STAVEBNICE
DETAILED 3D PRINTED KIT

MADE IN THE CZECH REPUBLIC

Zetor 25 'Military w/Towbar for MiG 15/17s'

MILITARY VEHICLE
MV128
1/72

DETAILNÍ RESINOVÝ MODEL S LEPTY
DETAILED RESIN KIT WITH PE FRET

MADE IN THE CZECH REPUBLIC

3D tištěné a odlévané sady pro 1/72 bojovou techniku
3D printed and casted 1/72 AFV sets

B72107 15 cm Nebelwerfer 41 / 3,7 cm PaK 36 Wheels for Special Hobby kit

PUR - Polyurethane parts

Special Hobby, Mezdiří 719, Praha 9, 193 00, Czech Republic
e-mail: office@specialhobby.eu

P72006 German WWII Aircraft Maintenance Toolbox

3D-Printed Parts

P72007 Czech Hedgehog (Rozsocháč) - WWII Anti-tank Barrier (4 pcs)

3D-Printed Parts

4x

P72003 Transport box with Panzerfausts

3D-Printed Parts

PP1, PP2, PP3

2062 Concrete Hedgehog - WWII Anti-tank Barrier (4 pcs)

Resin Parts

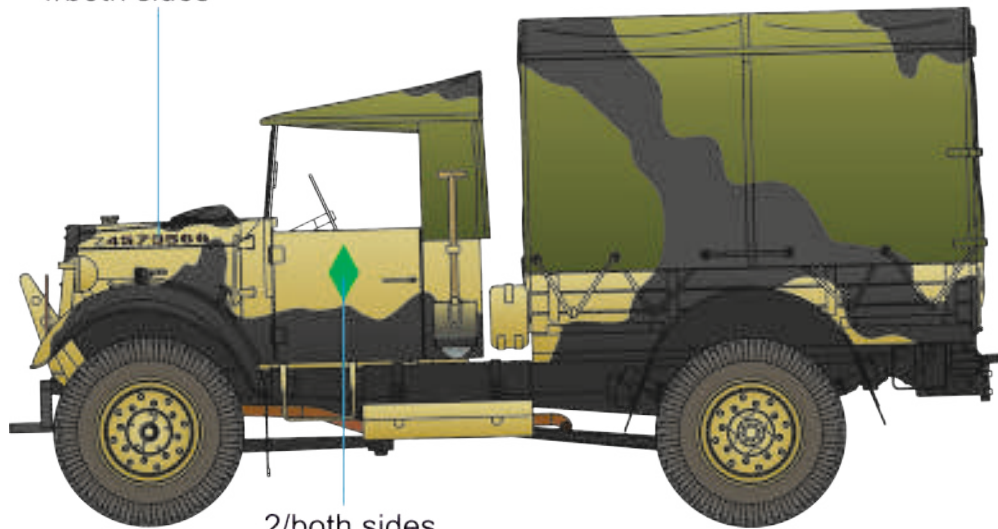
drát wire

4x

WOT2E Z4573566, 7th Armoured Division (Desert Rats), 2nd Rifle Brigade, Gazala, April 1942.

WOT2E Z4573566, 7. Obrněná divize (Pouštní Krysy), 2. Střelecká Brigáda, Gazala, duben 1942.

1/both sides

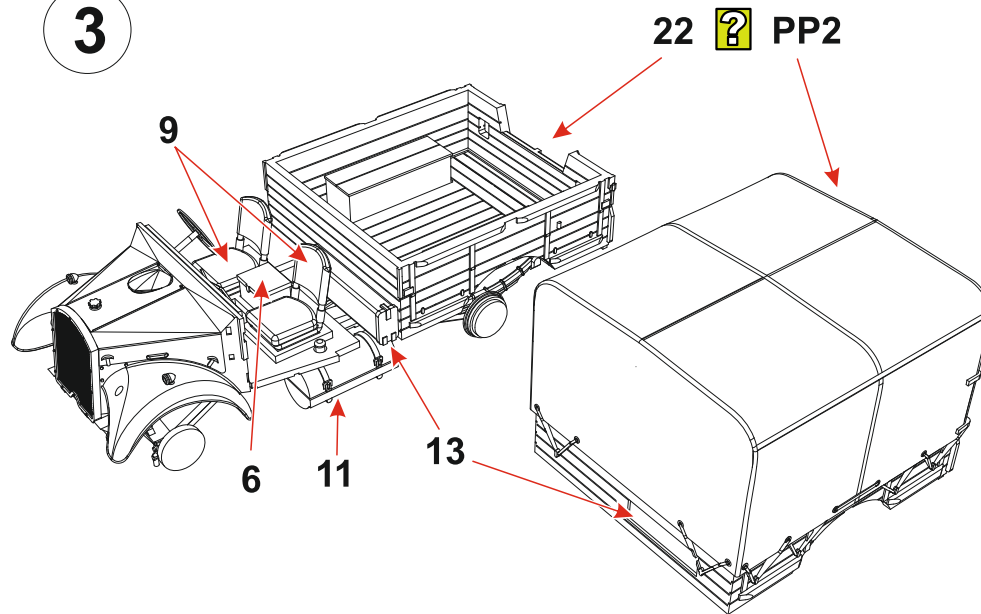


2/both sides

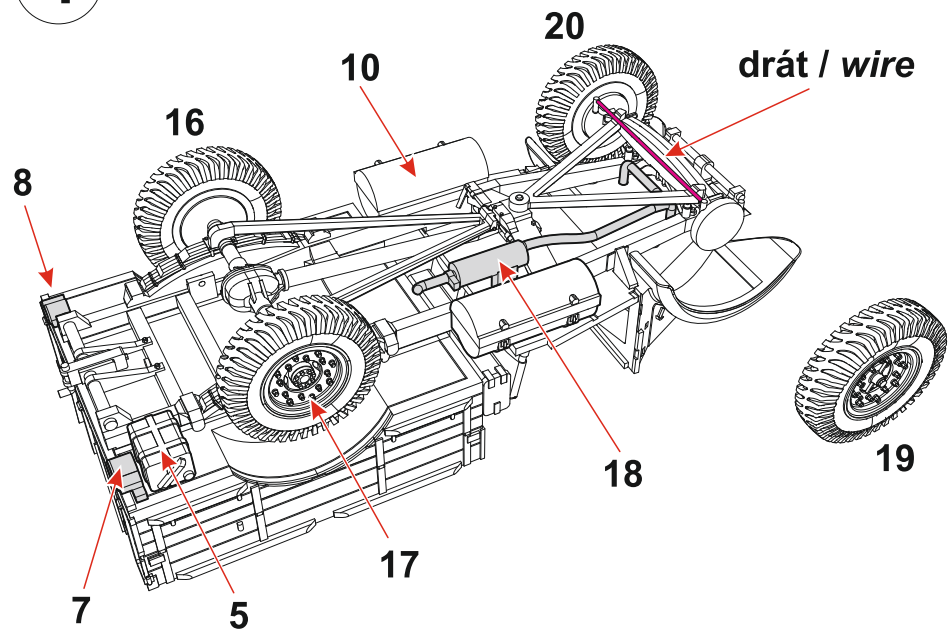


No.61 Light Stone
 No.14 Black
 No.15 Olive Drab

3

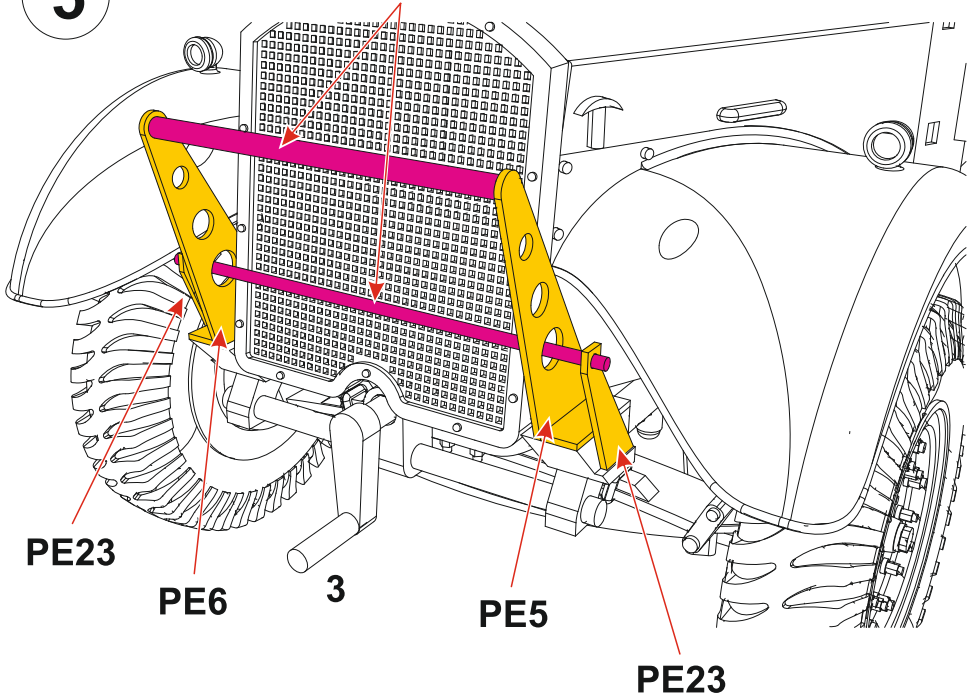


4

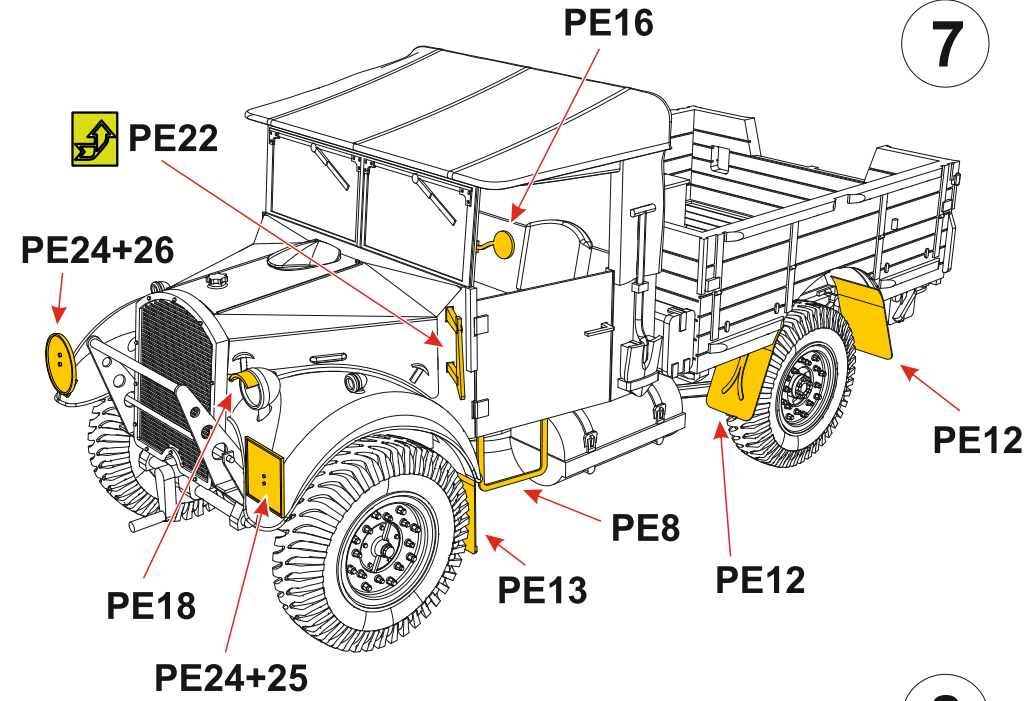


5

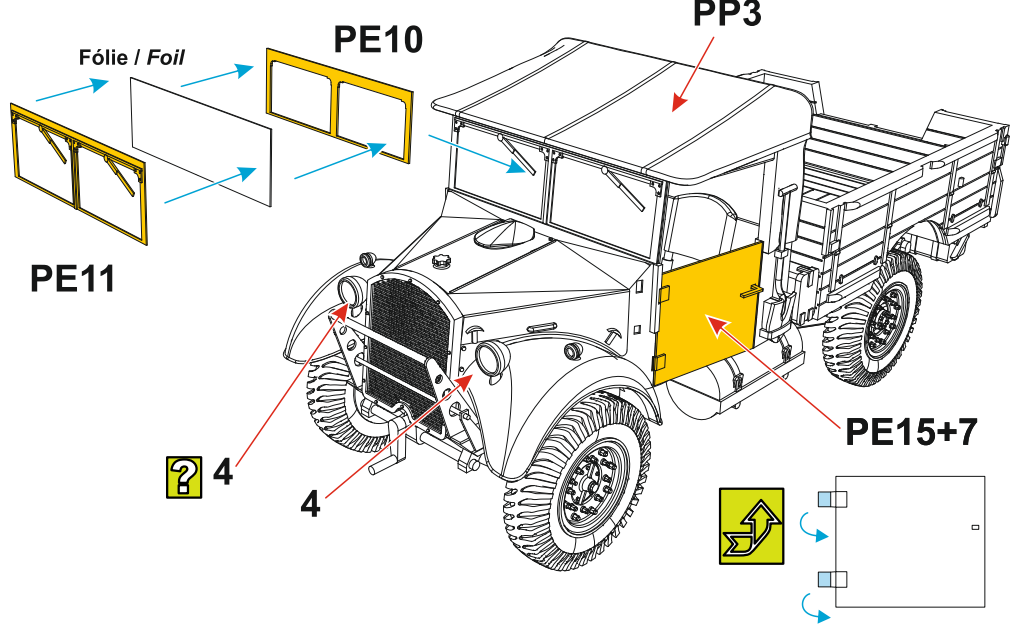
drát / wire



7



6



8

