

# INSTRUCTION MANUAL

FOR THE

# CANADIAN ARMOURD MACHINE GUN CARRIER

1914



C.S.M. 35-00-6  
Feb 20-21  
(First print).

OTTAWA  
Printing Bureau  
1914



## Important Notes

- Read the instructions carefully before starting the assembly.
- Use glue intended for plastic models.
- Choking hazard. Keep small parts and plastic bags away from children.
- Always wear protective eyewear when cutting and a protective mask when painting, glueing and sanding.
- Use paints designed and suitable for plastic model kits.

## Symbols Reference

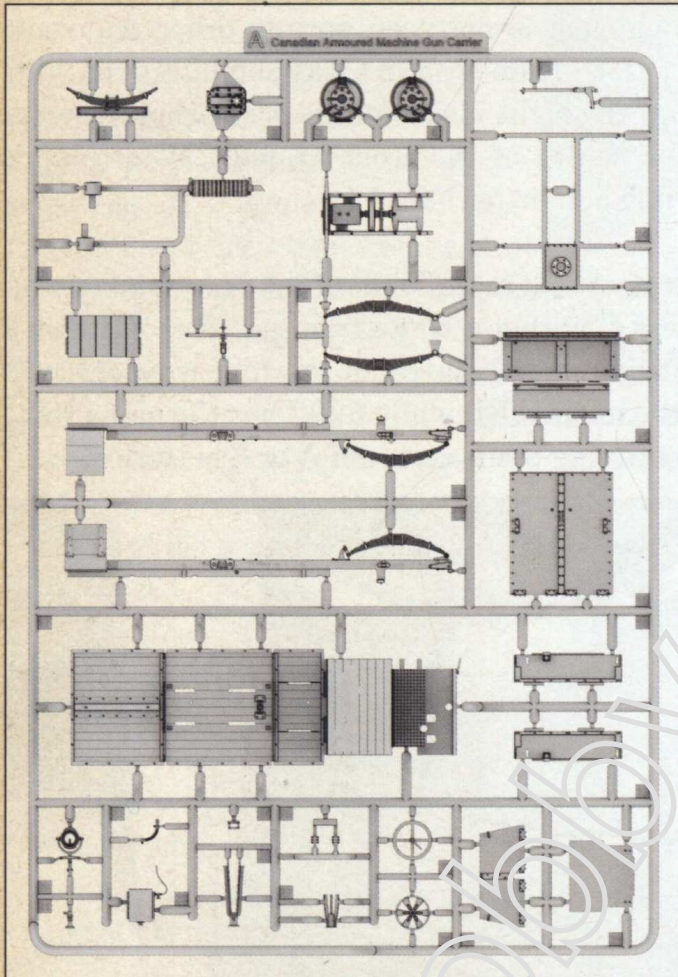
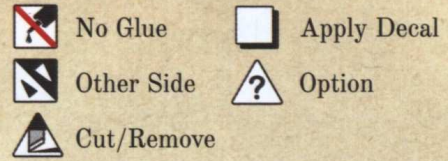


Fig. 1. Runner A

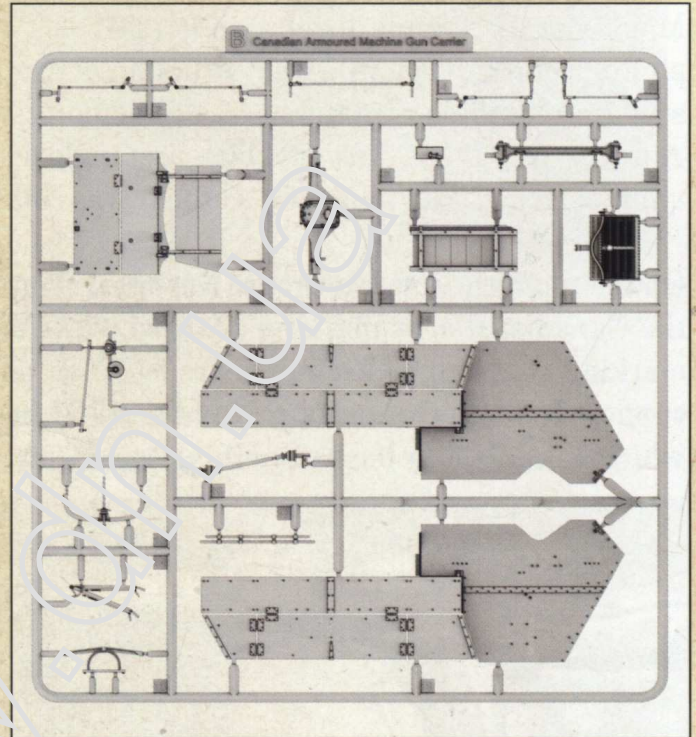


Fig. 2. Runner B

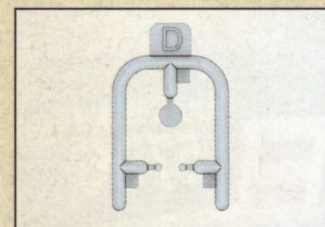


Fig. 3. Runner D

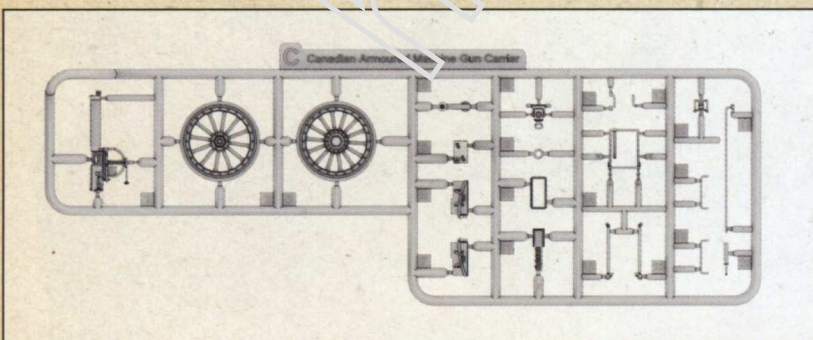


Fig. 4. Runner C, 2 pieces

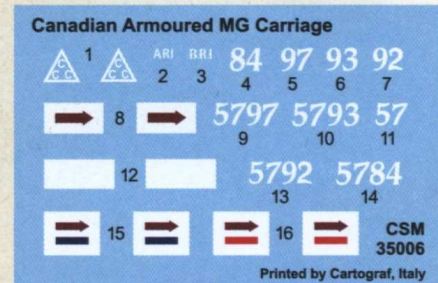
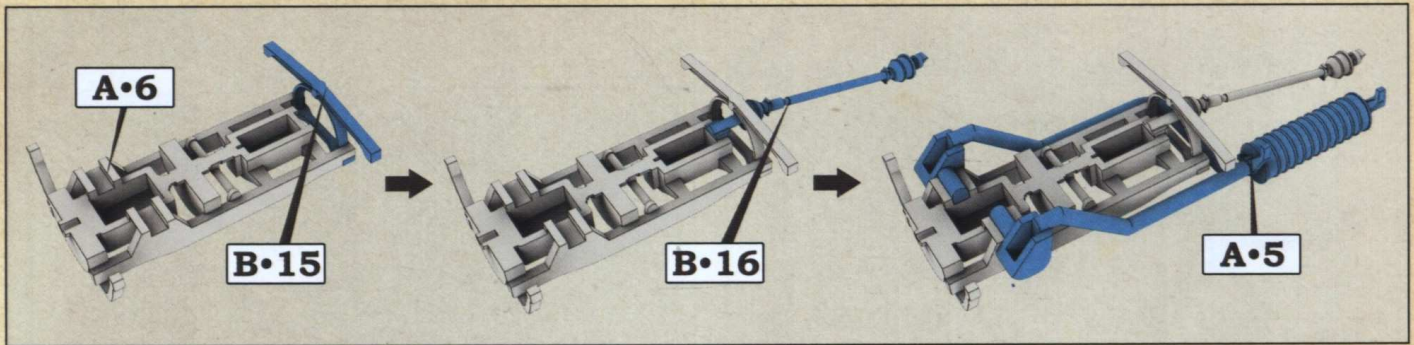


Fig. 5. Decals

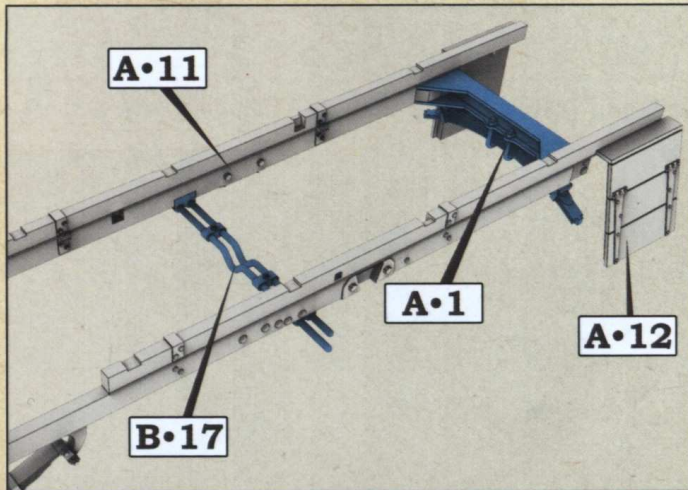
## Colour numbers

	1	Burnt metal (exhaust)		3	Copper		5	Black		7	Wood		9	Green Moss
	2	Aluminum		4	Steel		6	Brass		8	Gun metal		10	Rubber (dark)

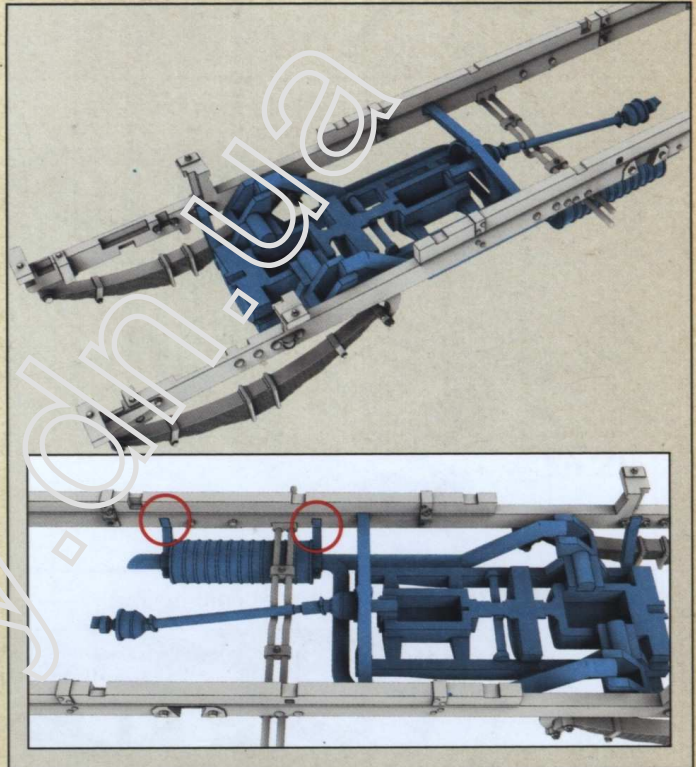
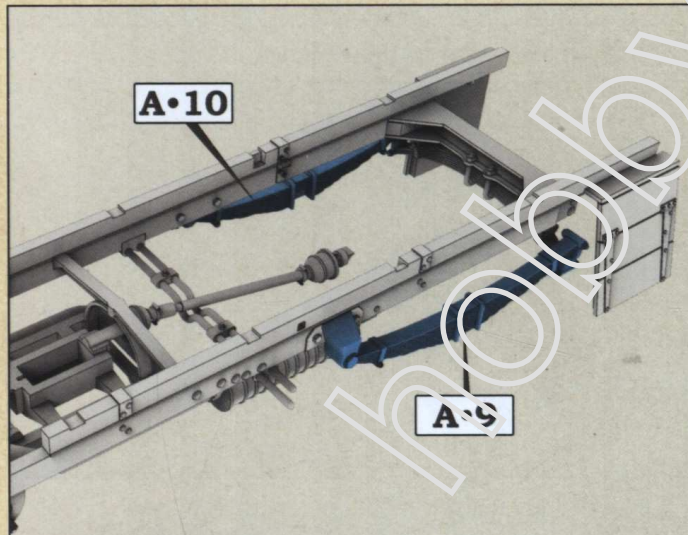




Step 1. Assembling the engine frame, exhaust pipes and the drive shaft



Step 2. Assembling the chassis



Step 3. Installing the engine frame into the chassis



Step 4. Installation of the rear cantilever springs

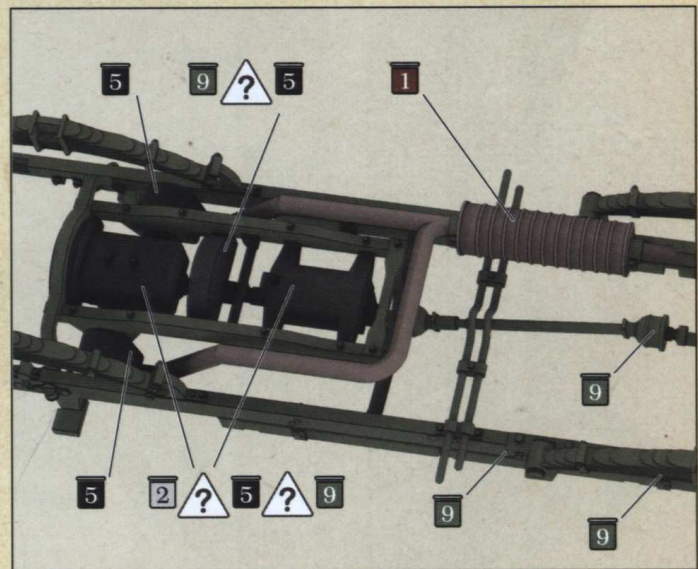
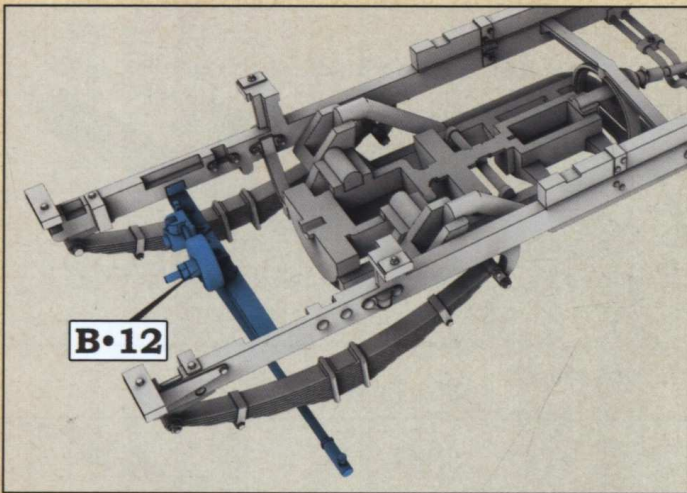
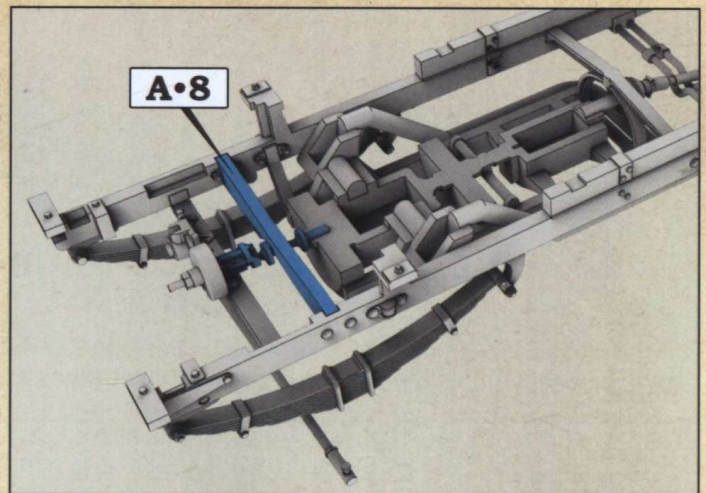


Fig 6. Chassis colours

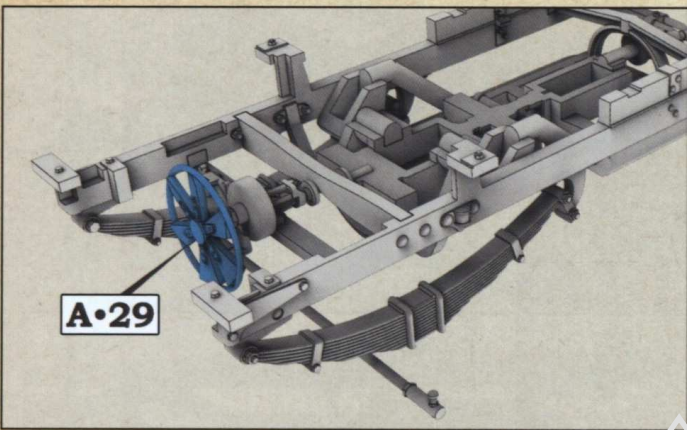




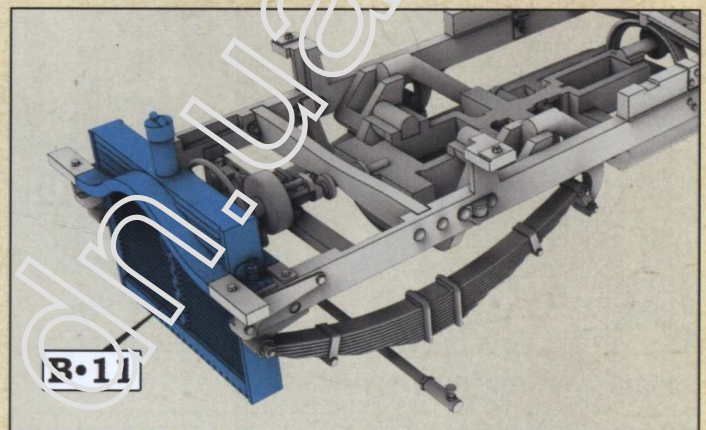
Step 5. Installation of the steering arm



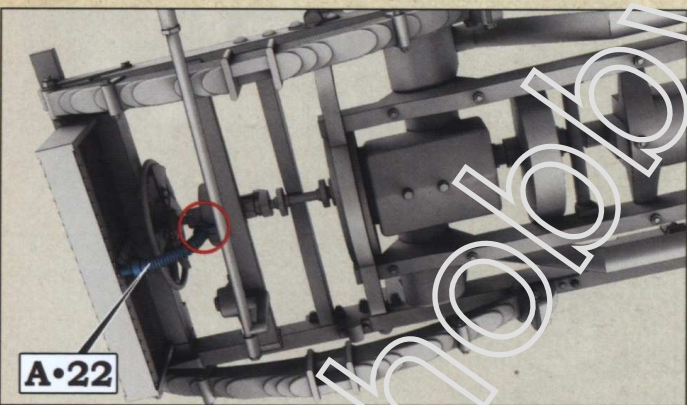
Step 6. Installation of the cross member with a shaft



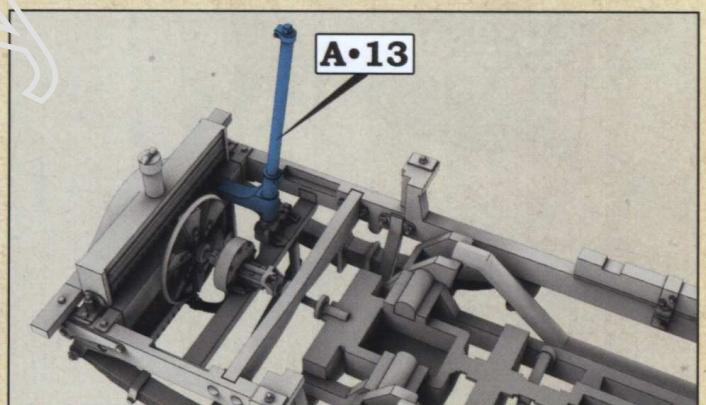
Step 7. Installation of the radiator cooling fan



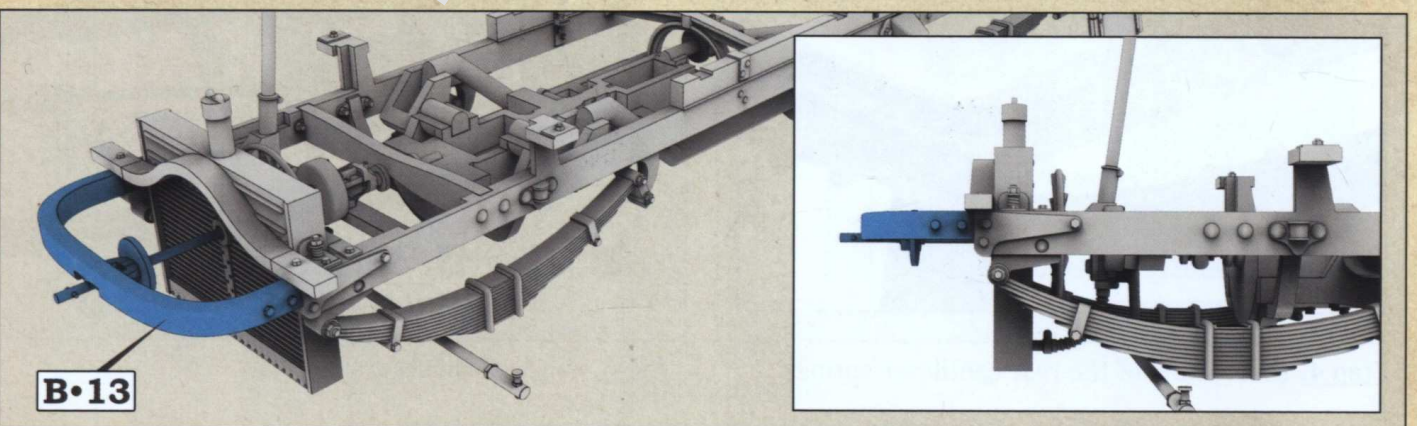
Step 8. Installation of the radiator



Step 9. Installation of the radiator hose

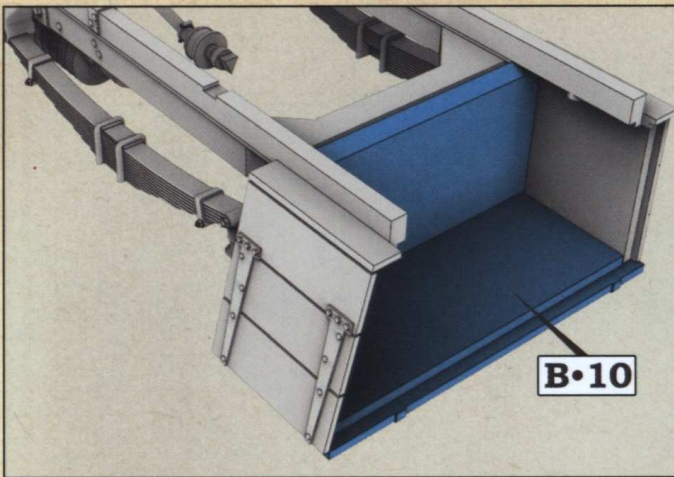


Step 10. Installation of the steering column



Step 11. Installation of the front cross member with the hand crank shaft

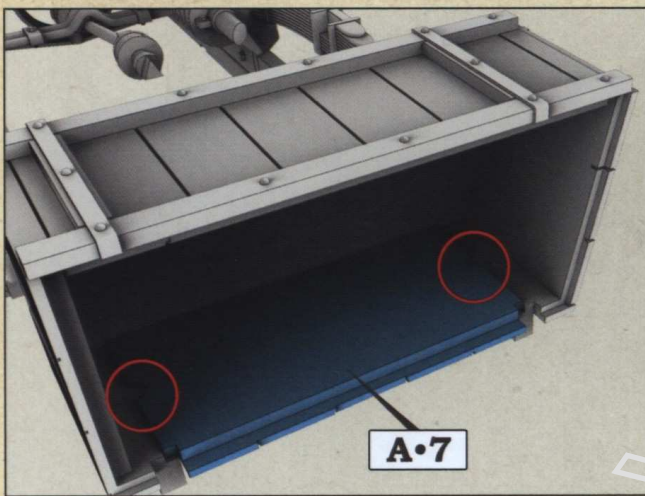




**B-10**

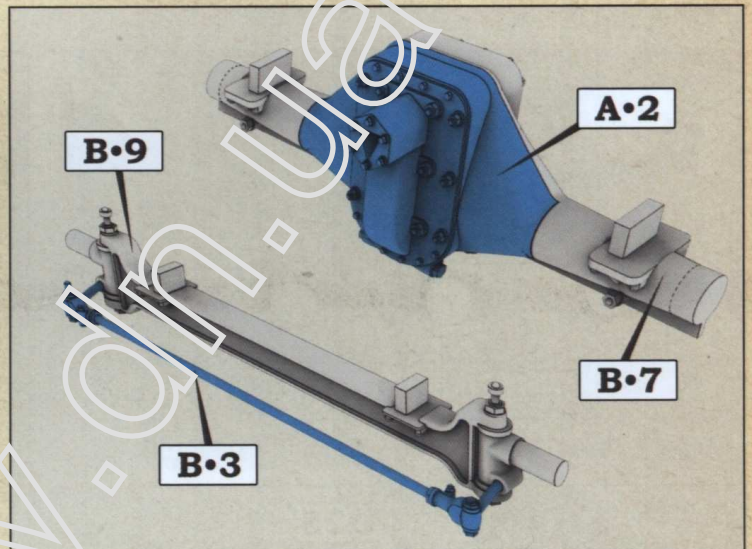


Step 12. Assembling the rear storage box base



**A-7**

Step 13. Installing the storage box top cover



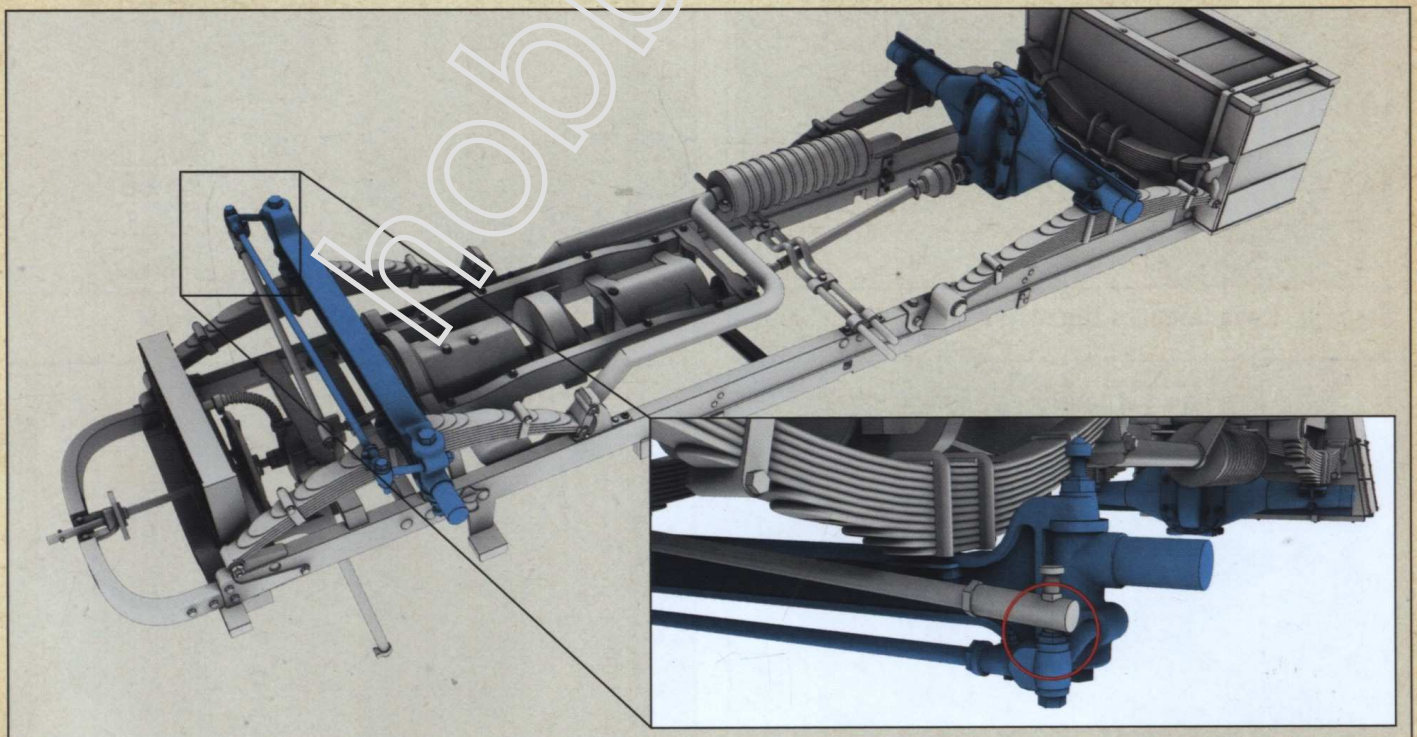
**B-9**

**A-2**

**B-7**

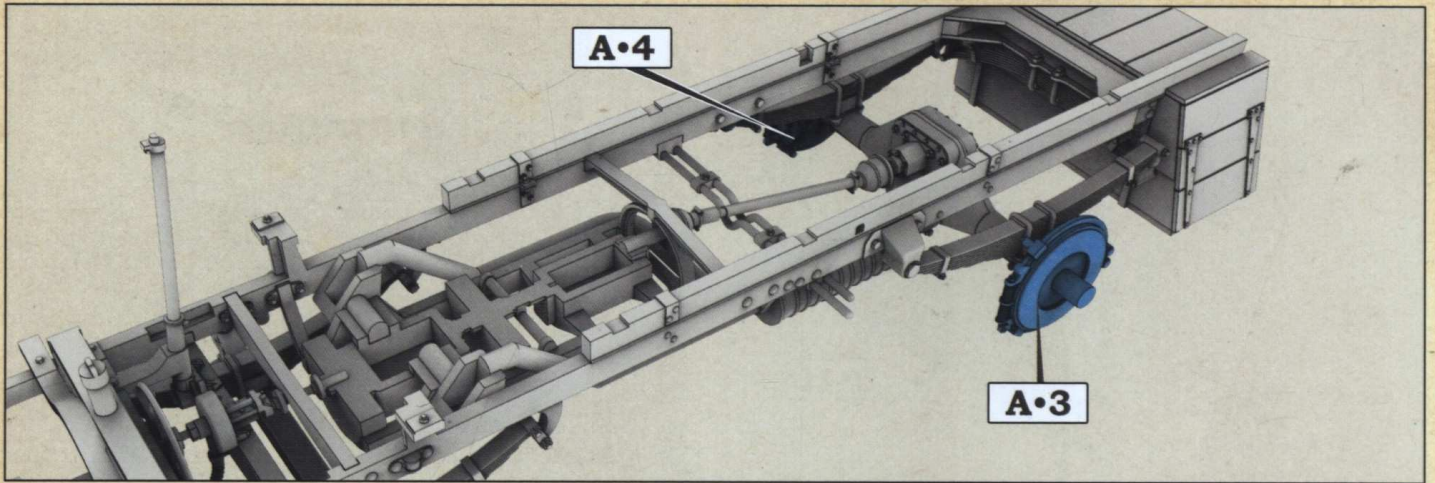
**B-3**

Step 14. Assembling the front and rear axles

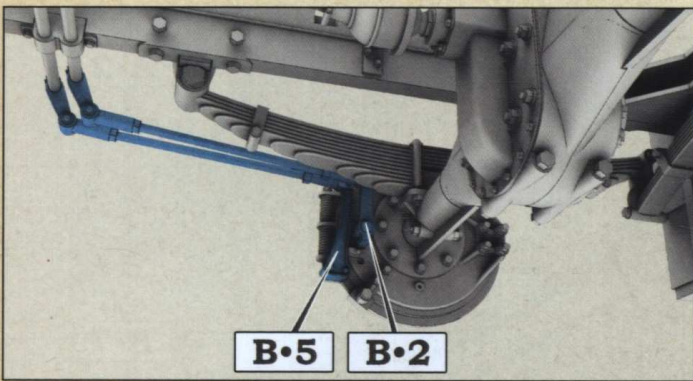


Step 15. Installation of the front and the rear axles

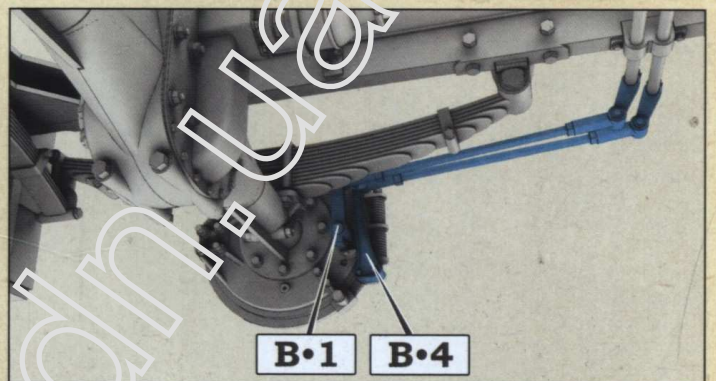




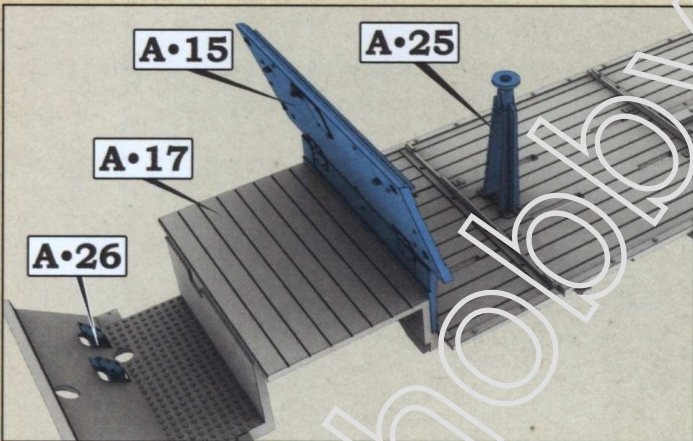
Step 16. Installation of the drum brakes



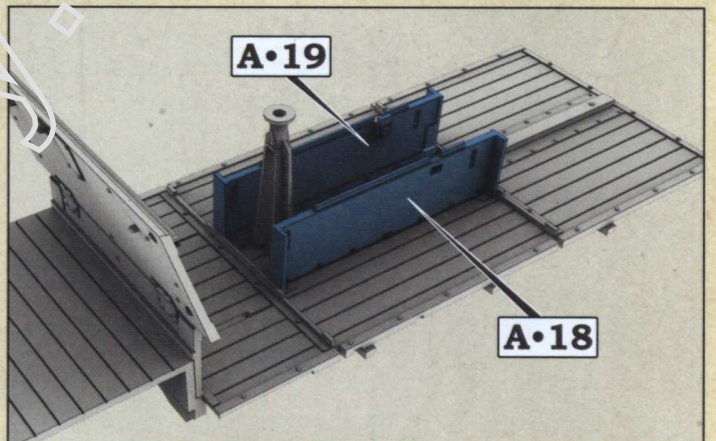
Step 17. Installation of the starboard brake rods



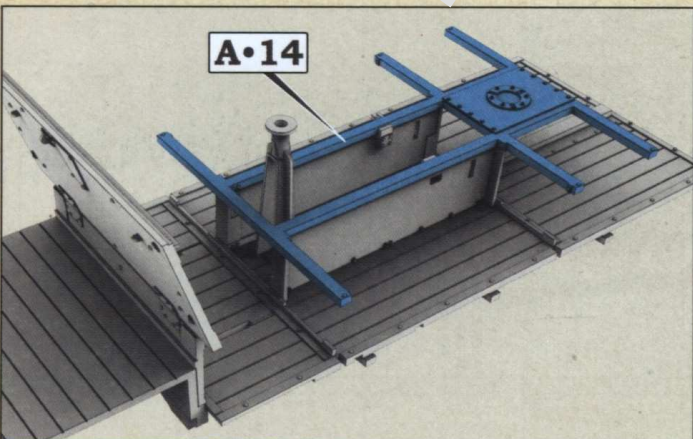
Step 18. Installation of the port brake rods



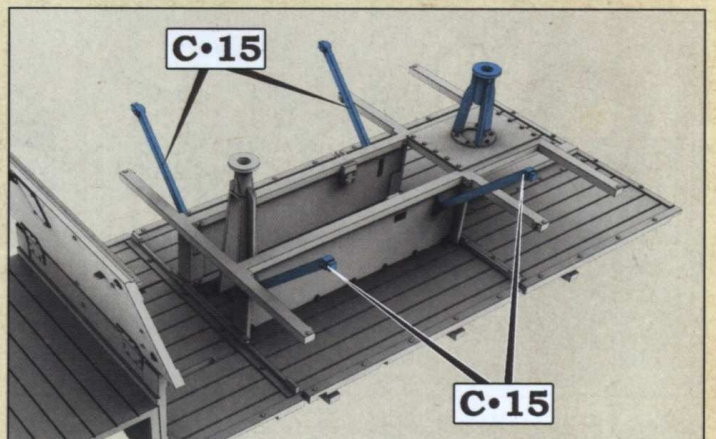
Step 19. Installation of the driver's pedals, MG mount



Step 20. Installation of the MG frame walls

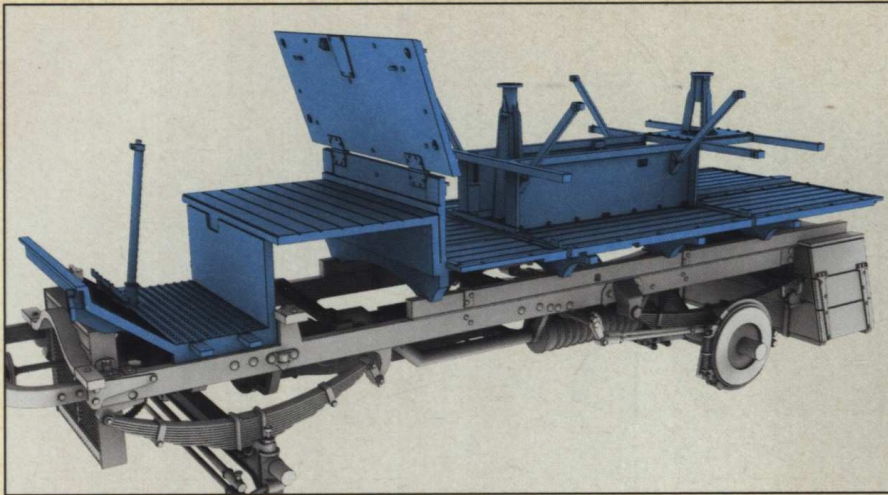


Step 21. Installation of the MG frame

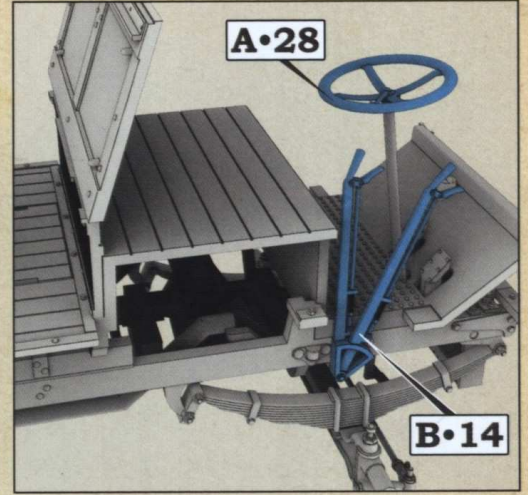


Step 22. Installation of the side armour supports

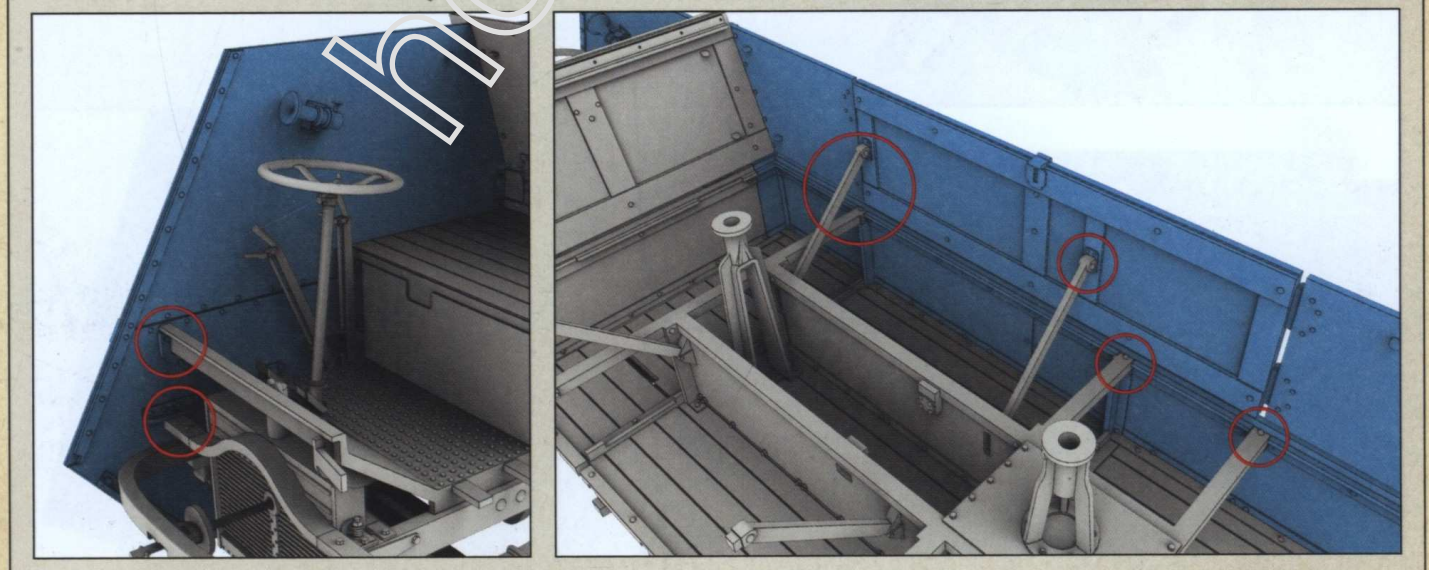




Step 23. Installation of the main floor structure

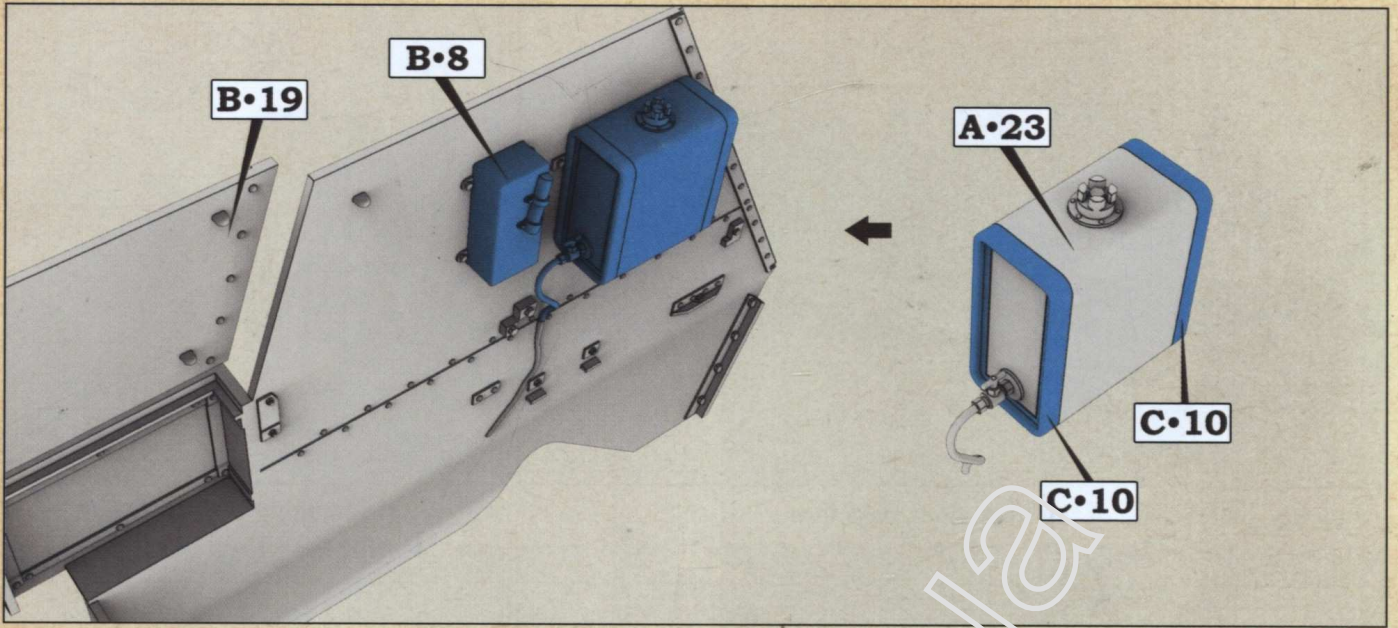


Step 24. Installing the levers and the steering wheel

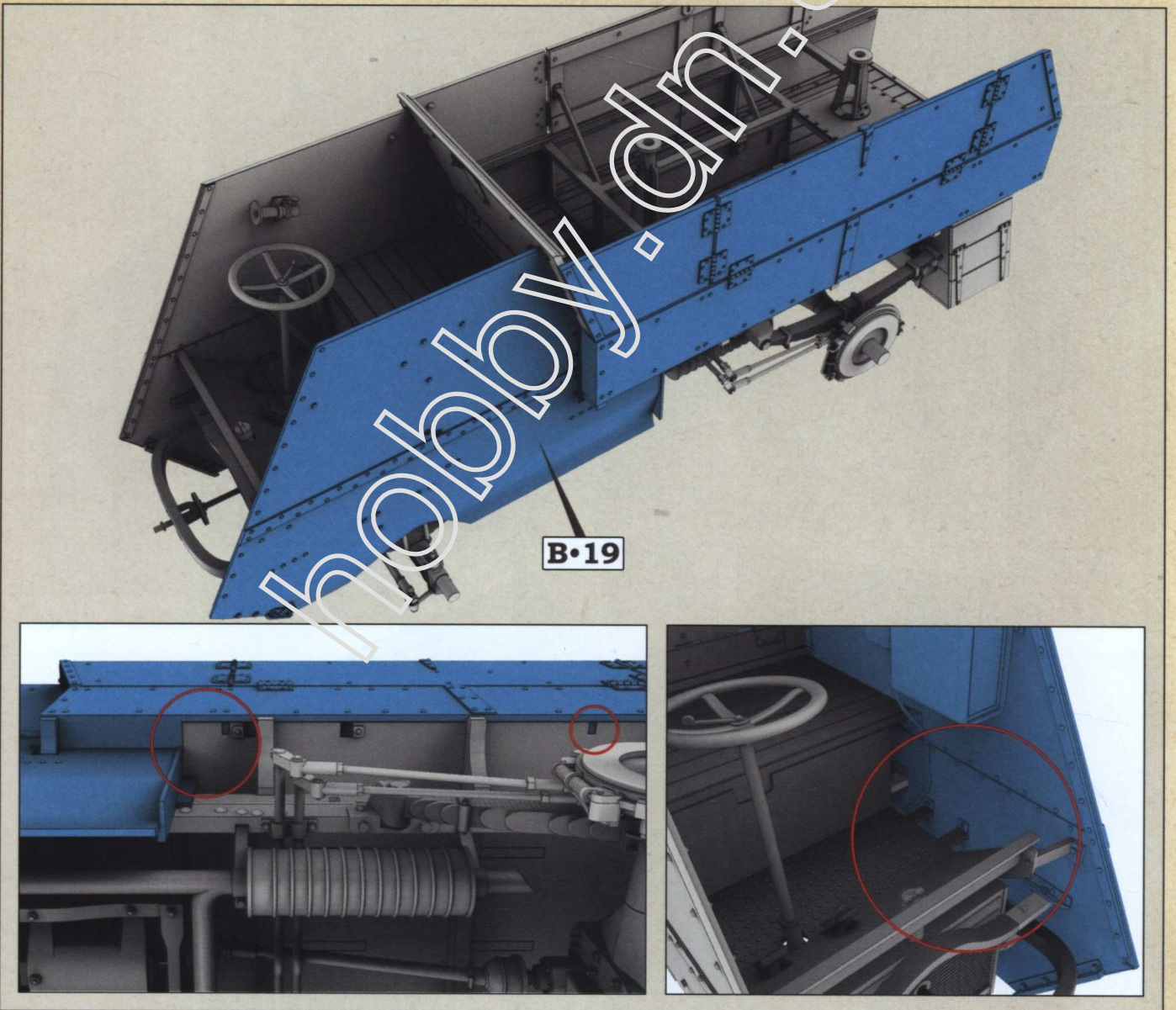


Step 25. Installation of the starboard body armour



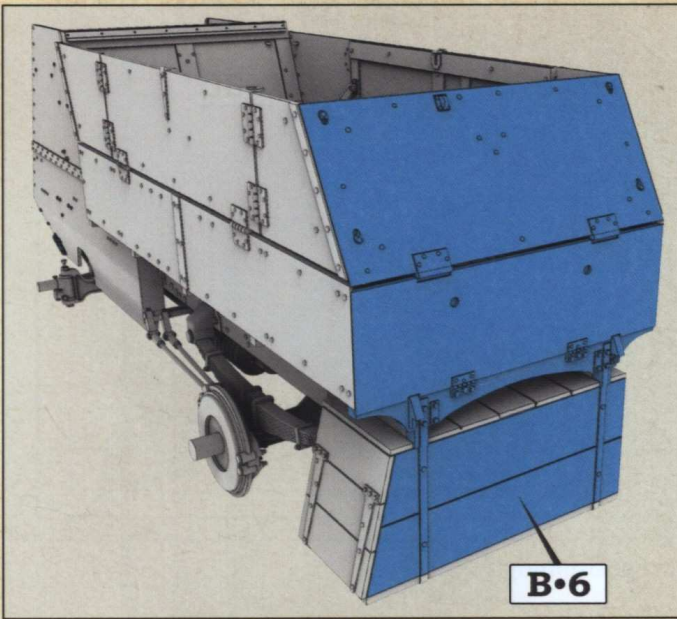


Step 26. Assembling the driver's compartment details

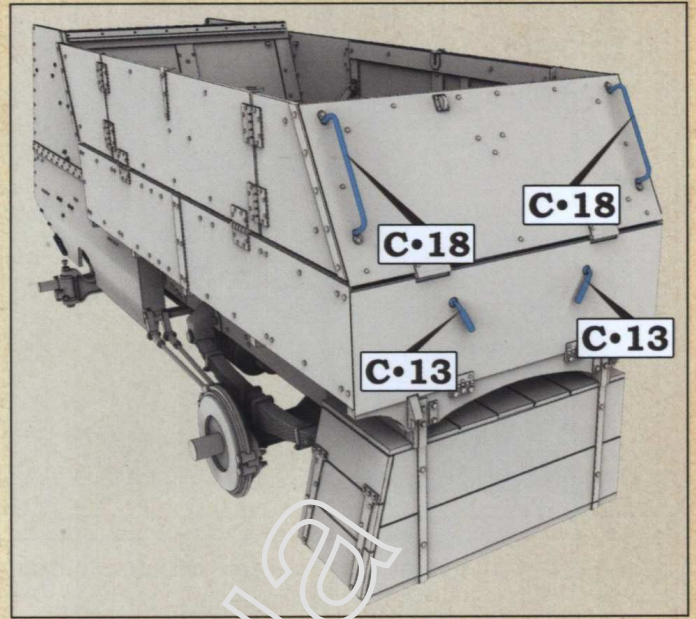


Step 27. Installation of the port body armour

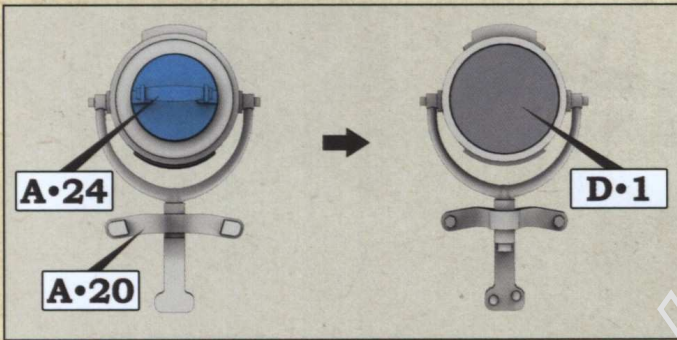




Step 28. Installation of the rear armour

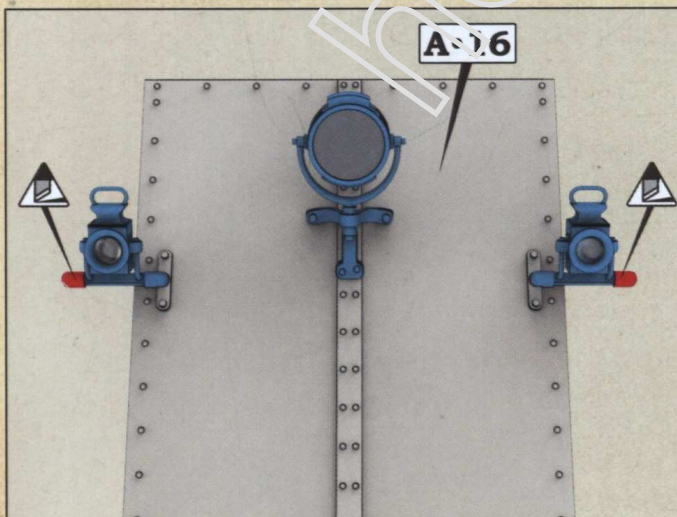
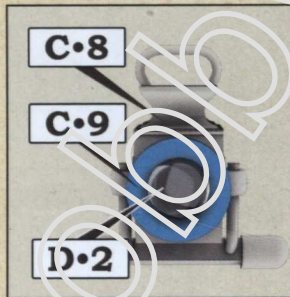


Step 29. Installation of different sorts of handles, Check markings page 25 for part C13

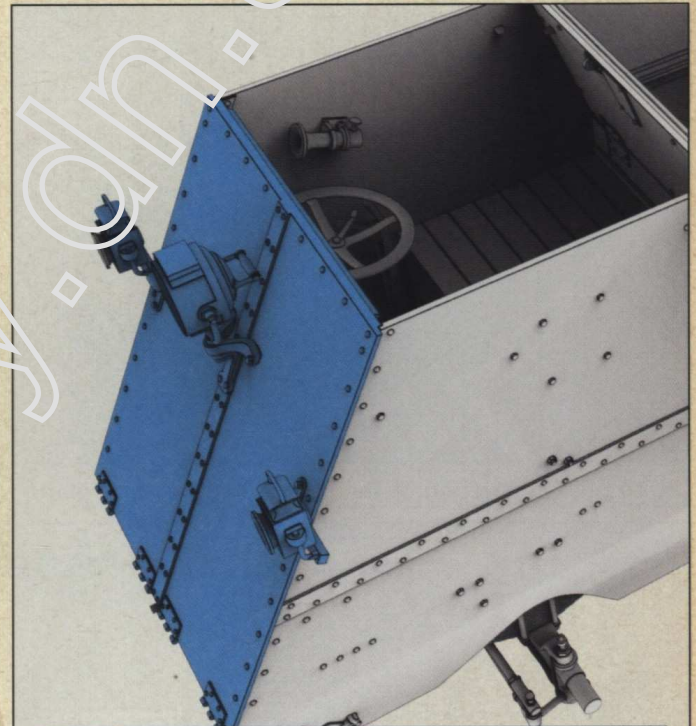


Step 30. Assembling the acetylene gas lamp

Step 31. Assembling the small side lamp. Make two – one for each side

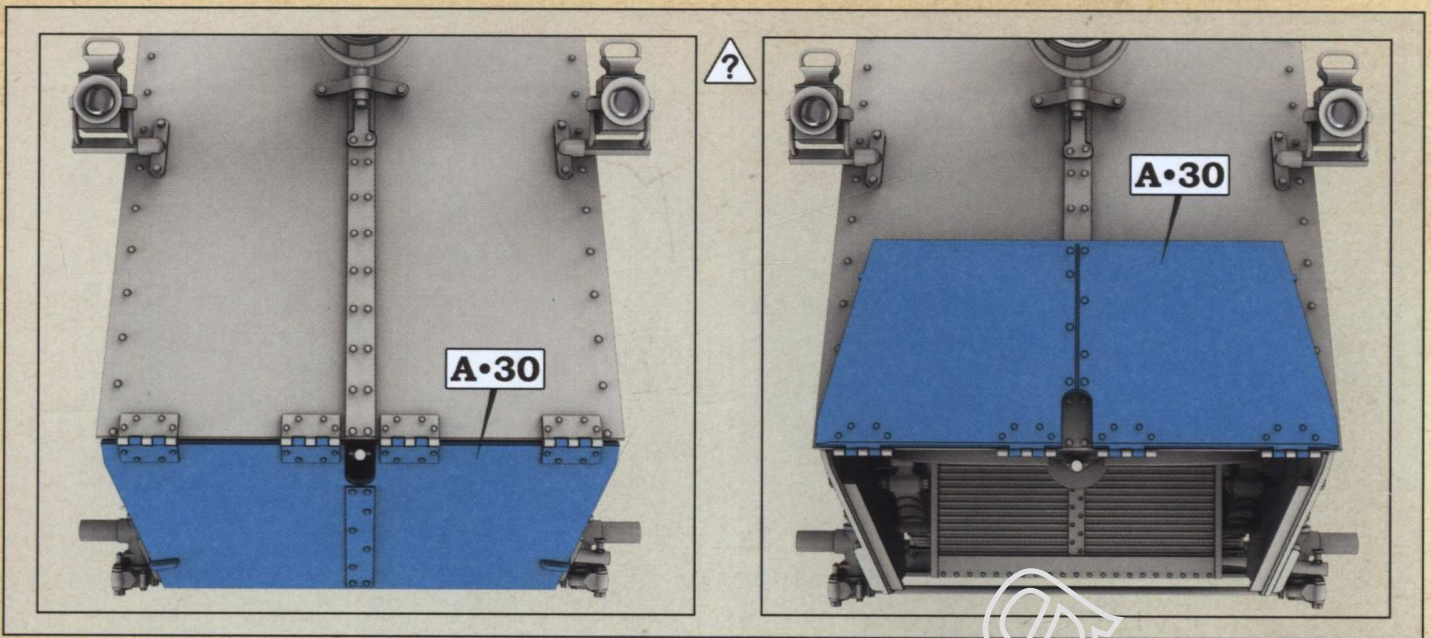


Step 32. Installing the lamps on the front armour plate

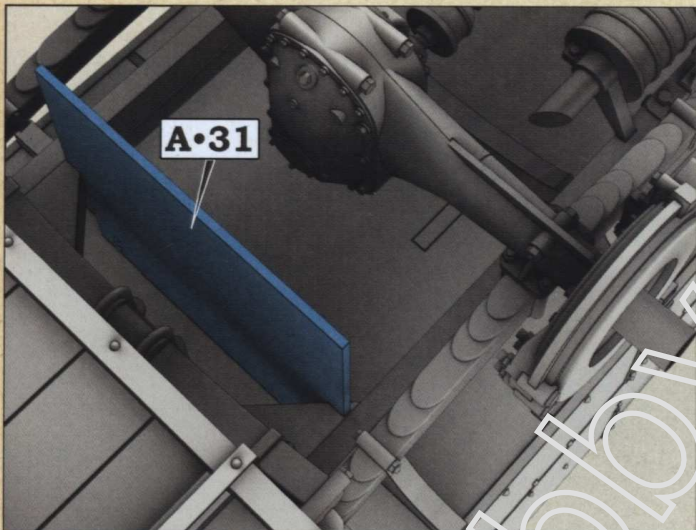


Step 33. Installation of the front armour plate





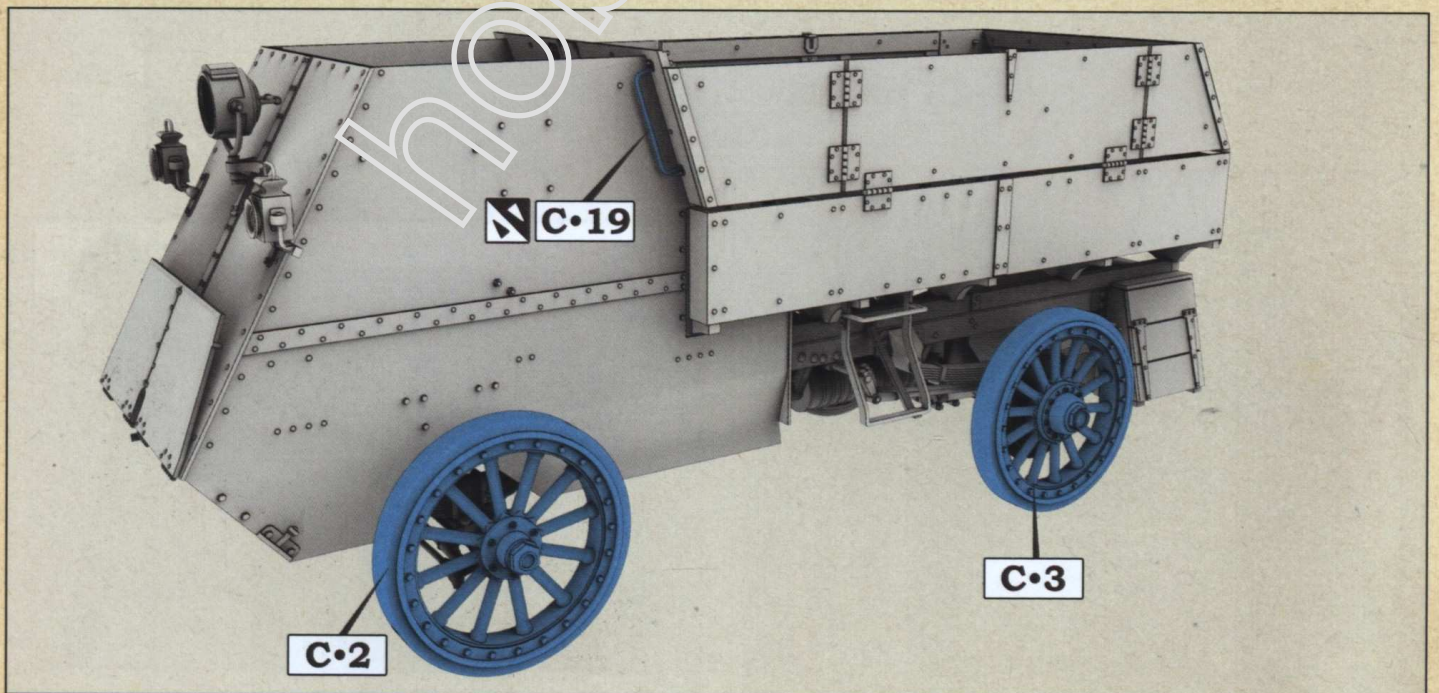
Step 34. Installation of the protective radiator shutter. Two position options



Step 35. Installation of the rear axle protective plate

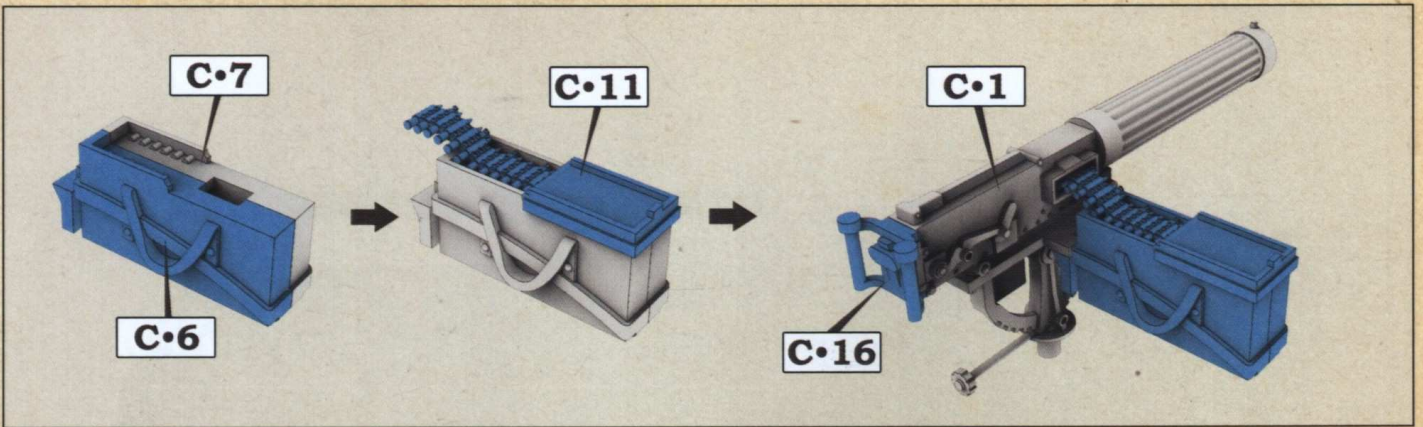


Step 36. Installation of the footstep

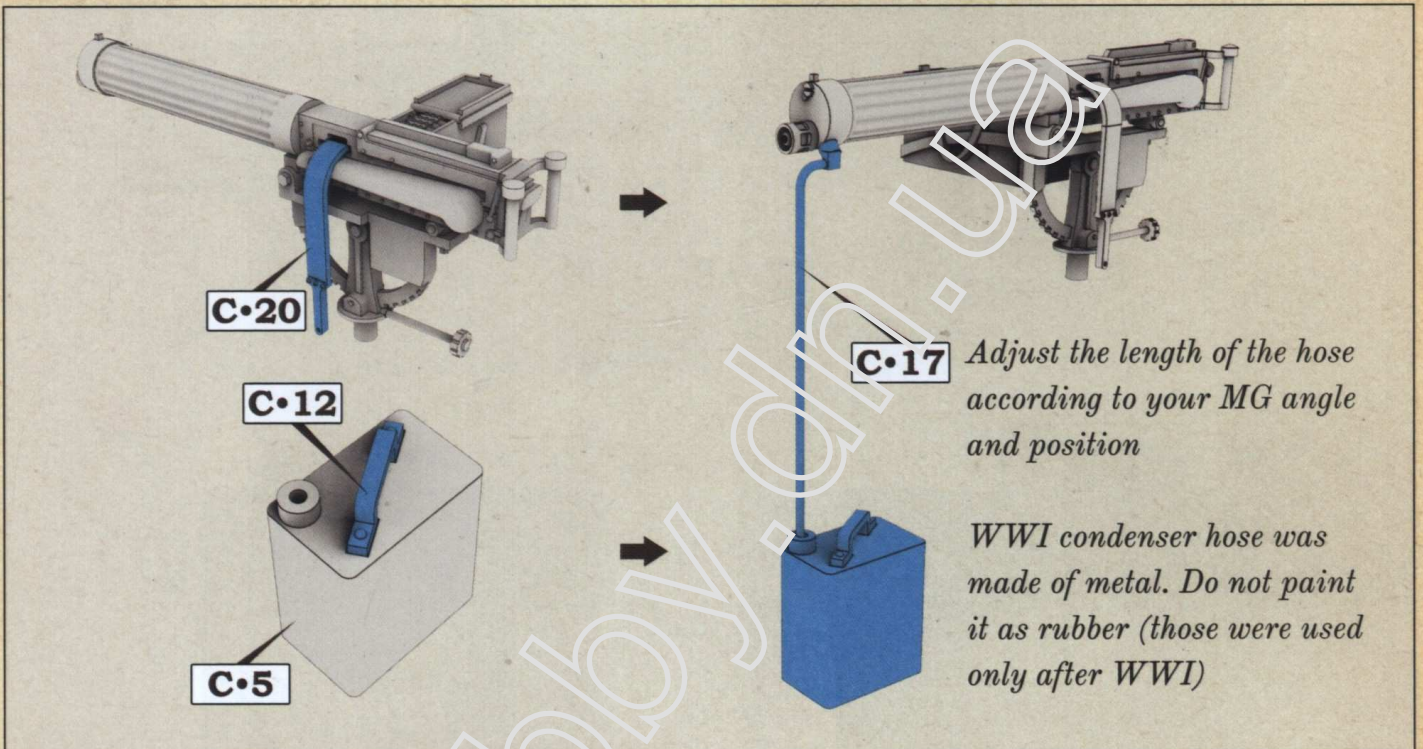


Step 37. Installation the wheels

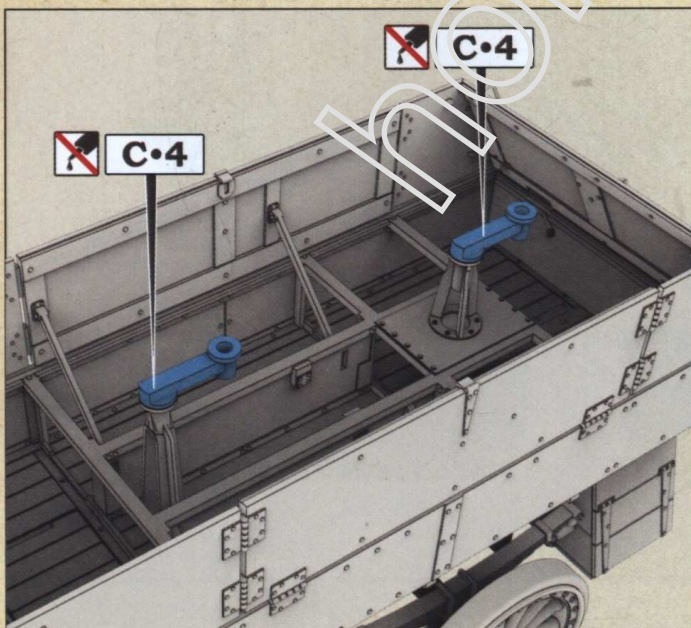




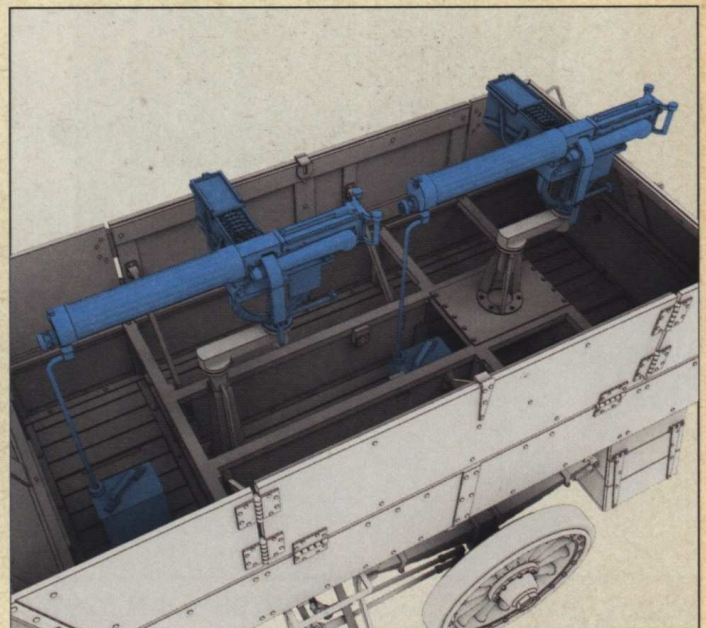
Step 38. Assembling the Vickers MG and the ammunition box. Make two



Step 39. Adding the details to the Vickers MG and 2-Gallon condenser can assembly



Step 40. Installing the MG mount arm



Step 41. Installing the Vickers MG with condenser cans



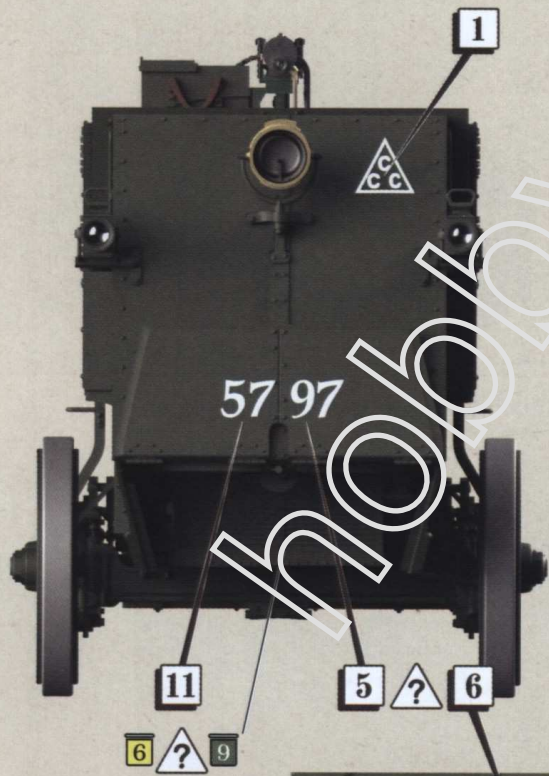
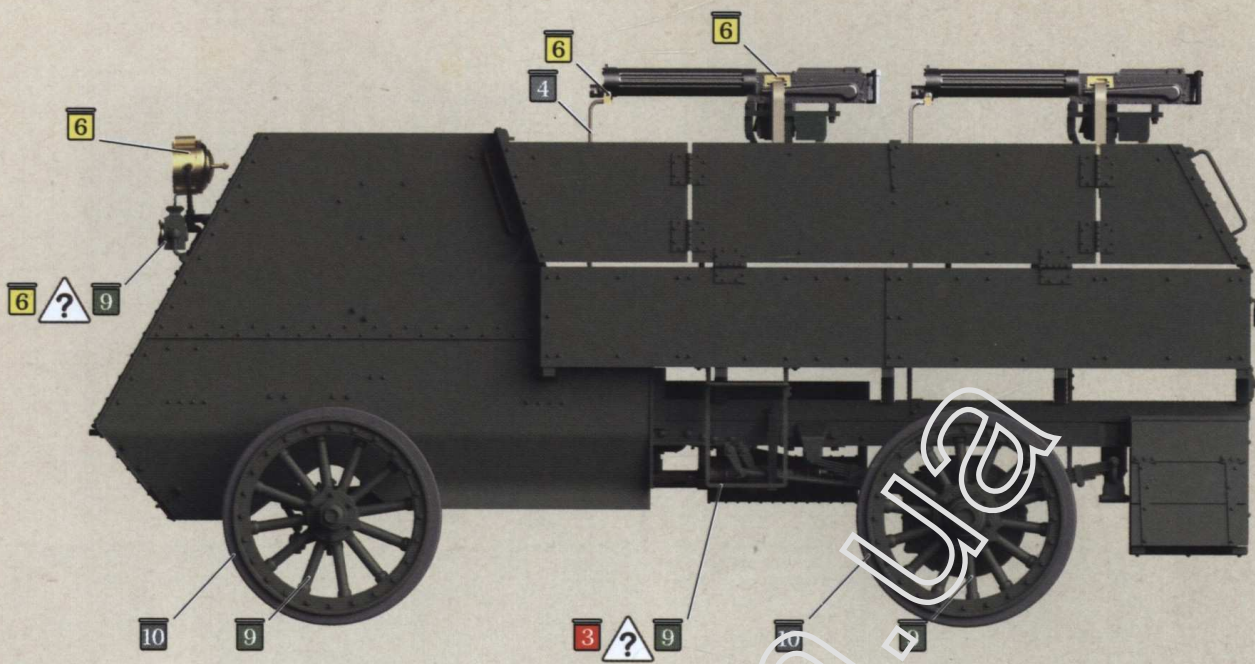


Fig. 7. Armoured Autocar, N.5793 and N.5797  
Arras, April 1918



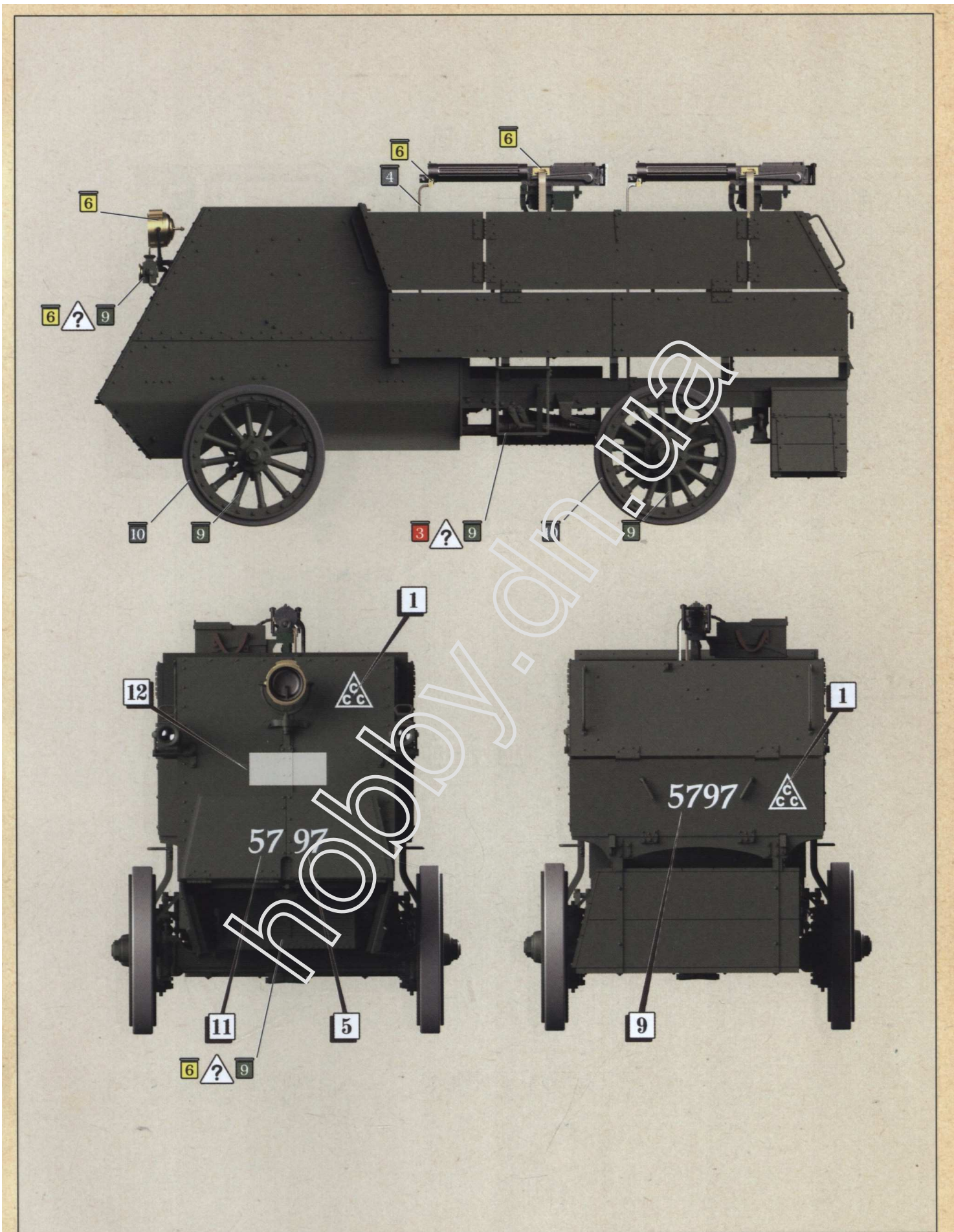


Fig. 8. Armoured Autocar, N.5797  
 Summer 1918



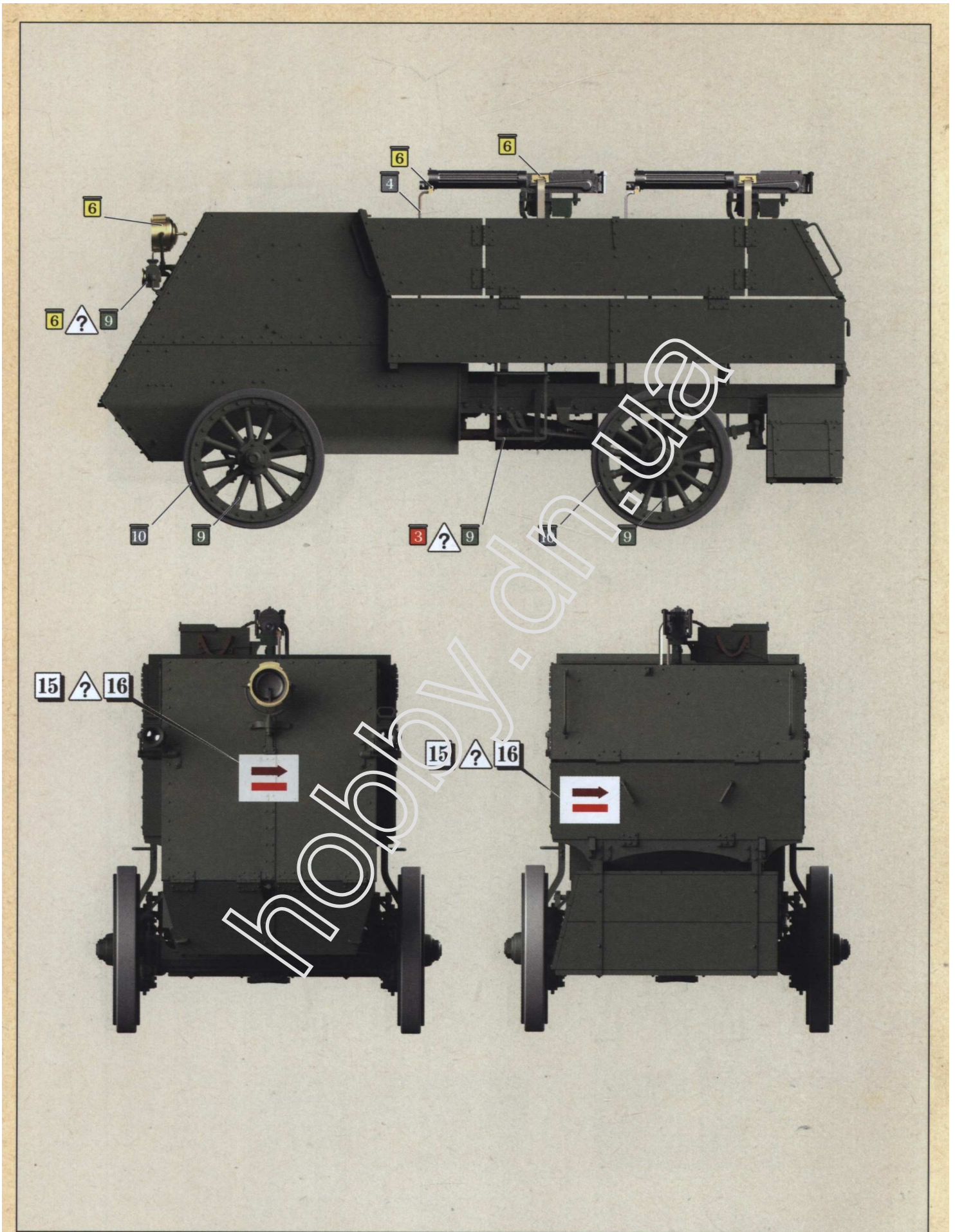


Fig. 9. Two of the Autocars paraded in Mons, one each from 1st and 2nd Brigades, Mons, Belgium, Nov. 15, 1918



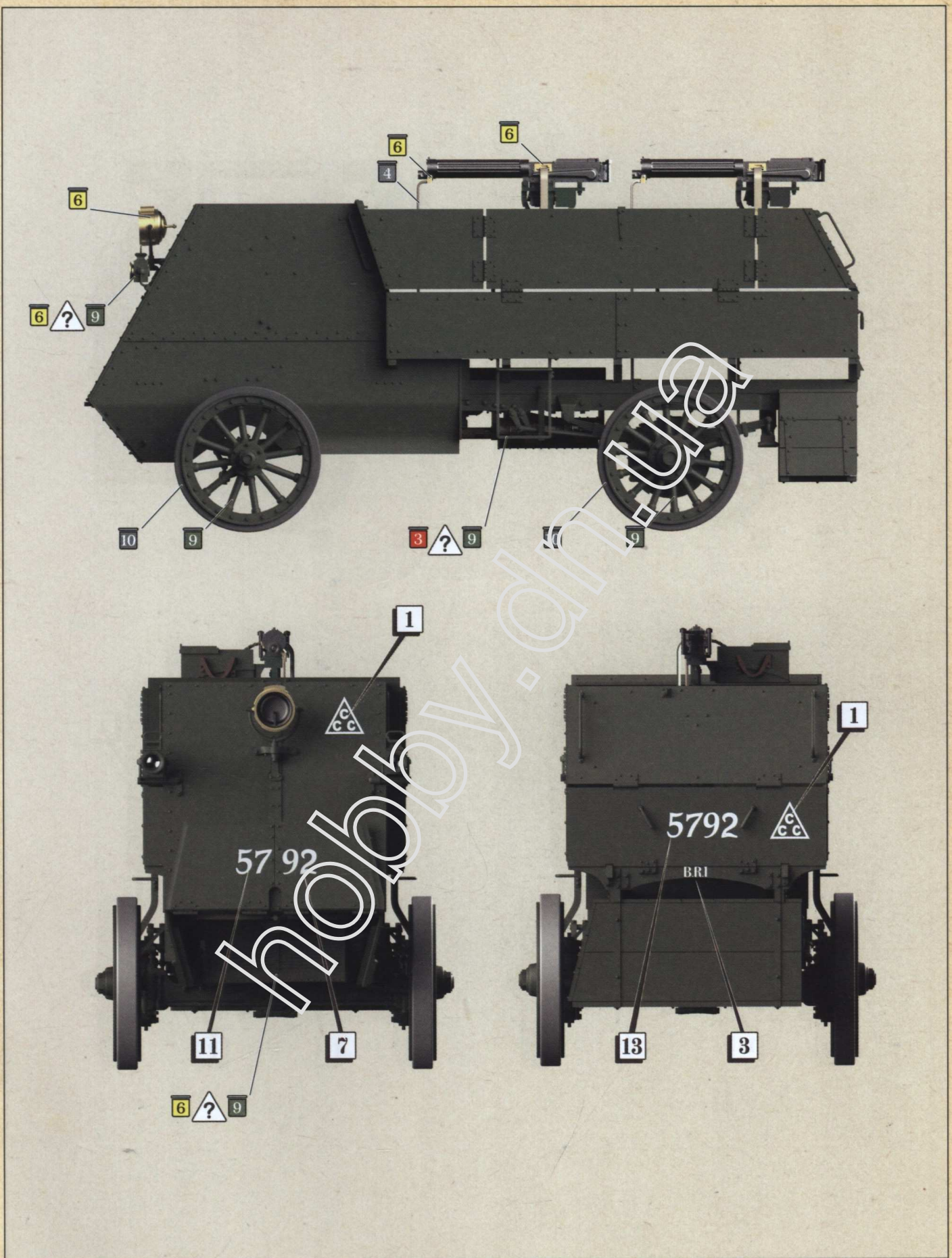


Fig. 10. Armoured Autocar, N.5792, "B" Battery  
Arras, April 1918



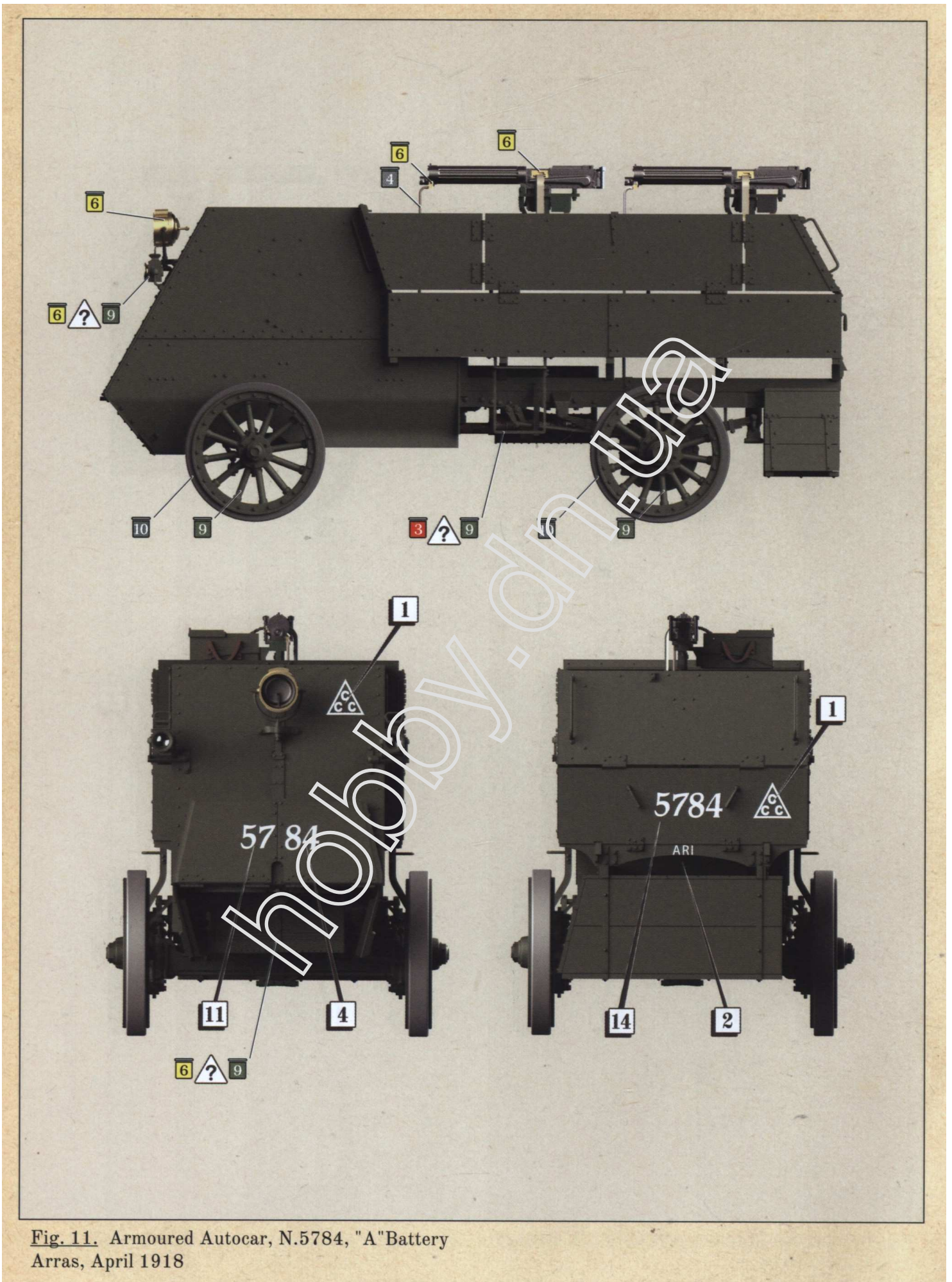


Fig. 11. Armoured Autocar, N.5784, "A" Battery  
Arras, April 1918



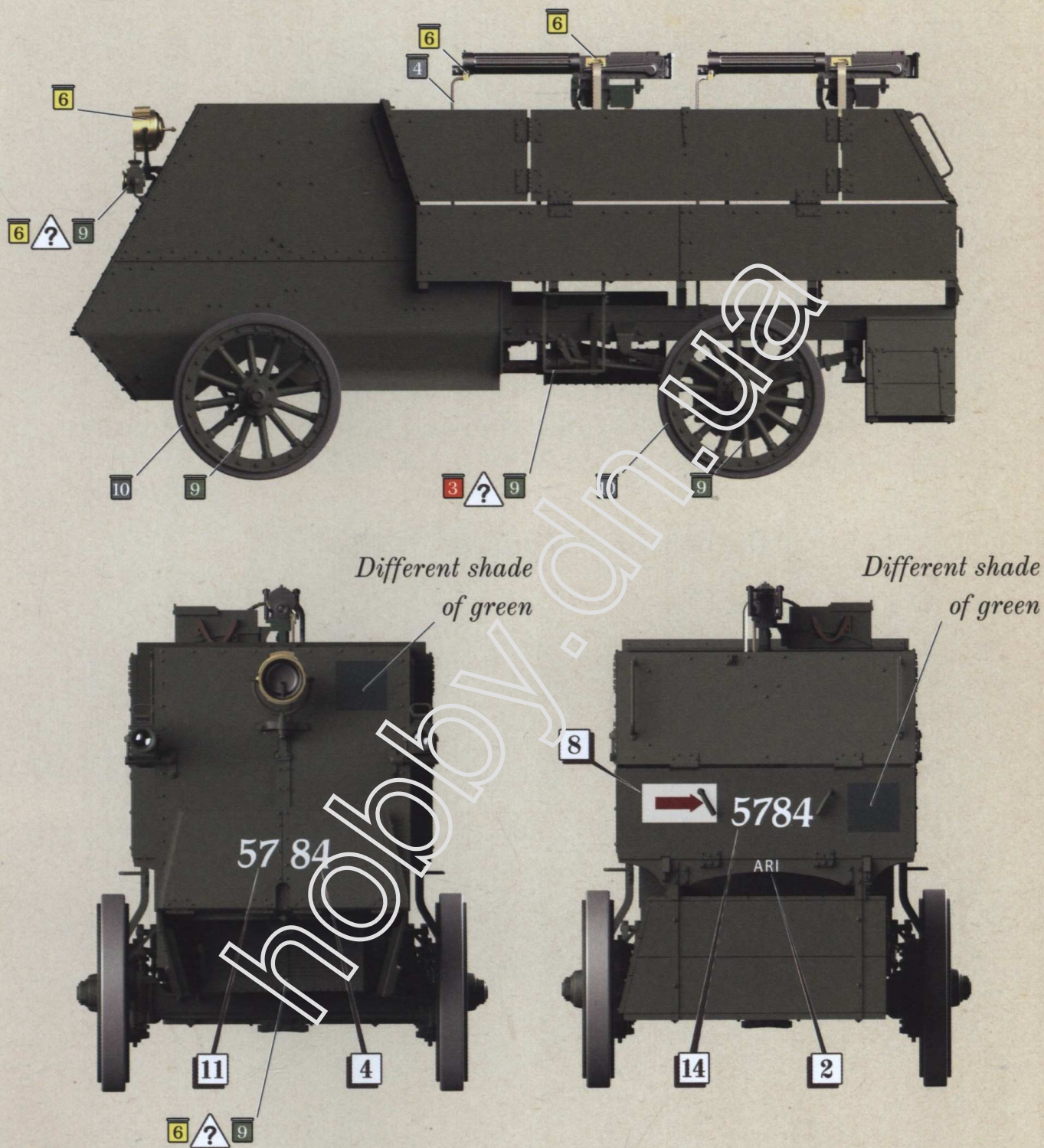


Fig. 12. Armoured Autocar, N.5784, "A" Battery  
Amiens-Roye road, Batte of Amiens, August 1918