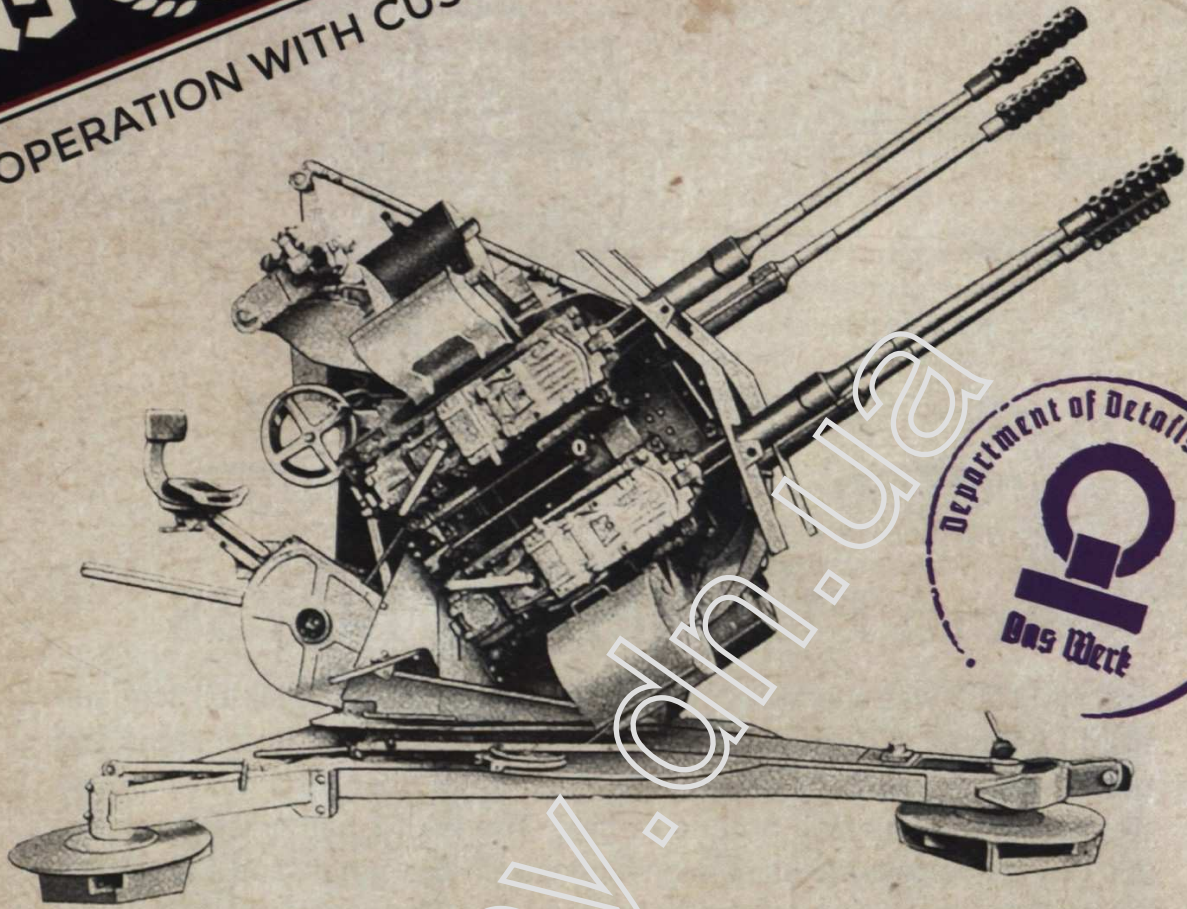


Das Werk

IN COOPERATION WITH CUSTOMSCALE

DW35004



3cm Flakvierling

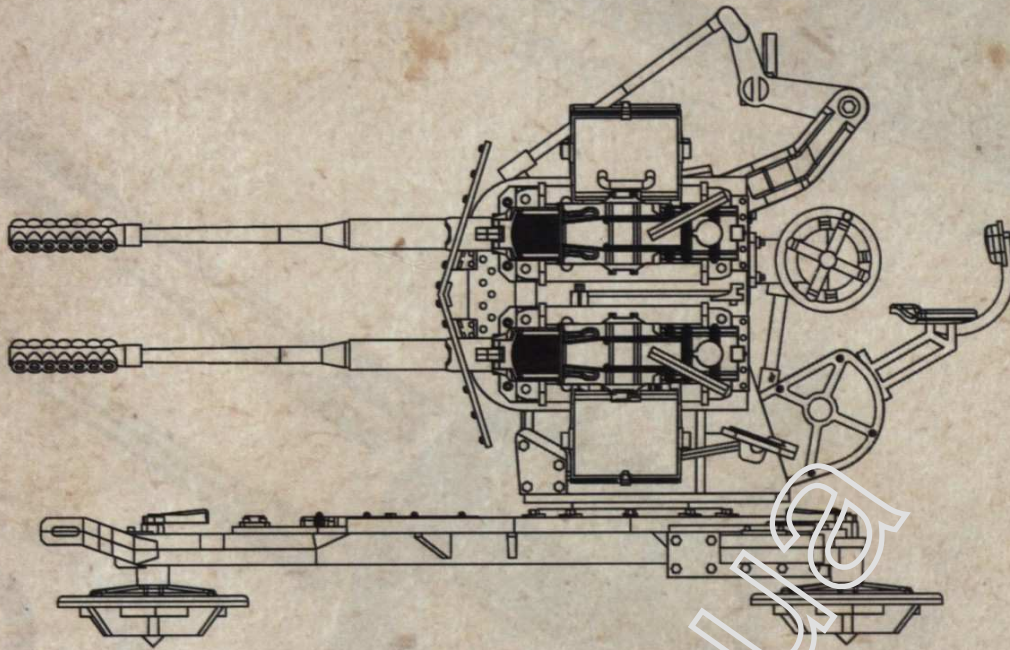
103/38

3cm Flugabwehrkanone

H.W. O.A.H., den 27. Juli 1944

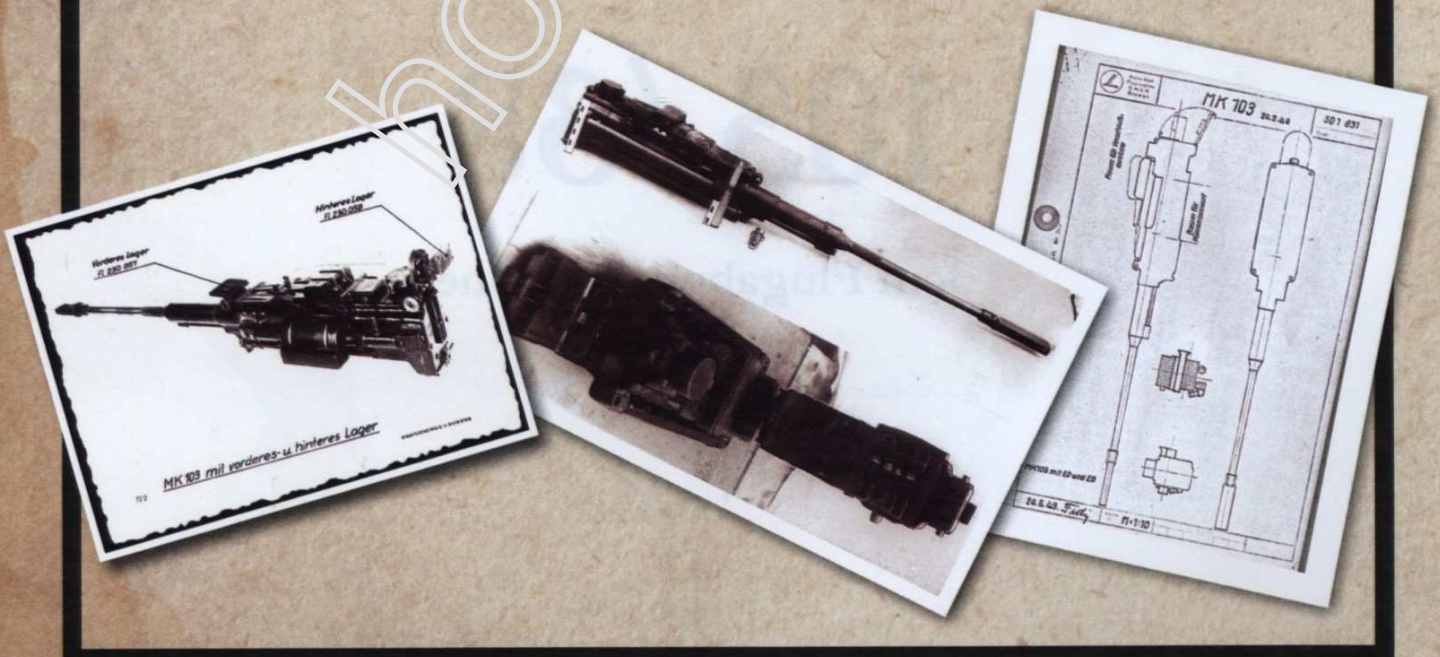
Meyer

Generalleutnant
und
General der Luftwaffe v. O.A.H.
(Dienstgrad und Dienststellung)



3cm Flakvierling 103/38

The Mk103/38 was a late-war, four-gun installation of the Mk103 3cm gun from Rheinmetall Borsig. The Mk103 was an electrically fired, recoil and gas-operated automatic cannon designed to be used as a dual-purpose weapon against air and ground targets. The Mk103 had a rate of fire of 280 rounds per minute using high explosive (HE) rounds, and 420 rounds per minute when firing Armor Piercing rounds. The experimental Mk103/38 four-gun installation proved troublesome due to fact that the mount was originally designed for the smaller 2cm Flak 38, and heavy vibration took it's toll on both the equipment and the crew aiming the weapon.



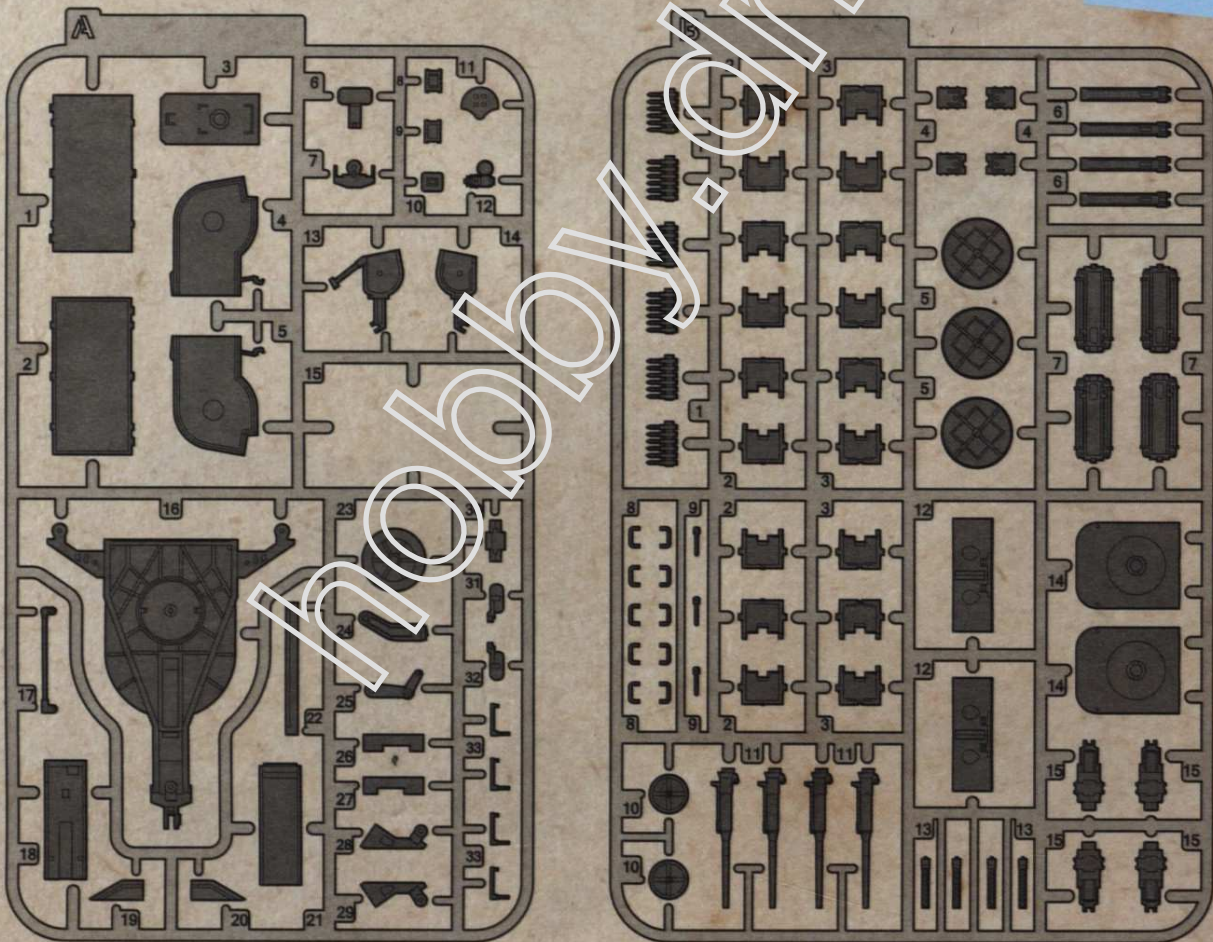
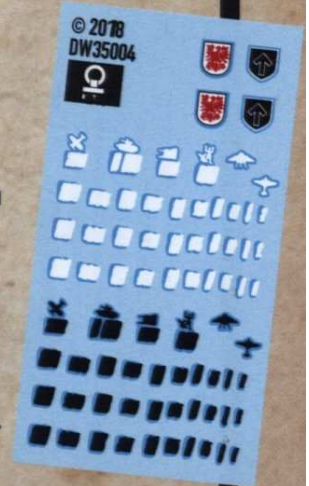


Warning: Choking hazard. Keep small bits and pieces away from toddlers. Use paint and glue in well-ventilated areas only, away from open flame. Wear protective gear while working with knives and while sanding. Protect your lungs from dust and fumes. Beware of sharp edges.

Assembly: read the instructions carefully before starting assembly. Dry-fit parts and subassemblies before installing them.

Painting: Always run a paint test bed parallel to the project. Test chemical reactions and products from different brands for compatibility before combining different products on your model. Use the test bed to experiment with weathering effects as well. A test bed can also help with adjusting airbrush settings before turning the airbrush on the model.

Decals: Soak decals in warm water until they become loosened from the carrier film. Consider using softeners and setting solutions. Avoid trapping air bubbles under the decal. Seal decals with a clear coat after they have thoroughly dried.



USE CA GLUE



NO GLUE



REPEAT



DECALS



CAUTION

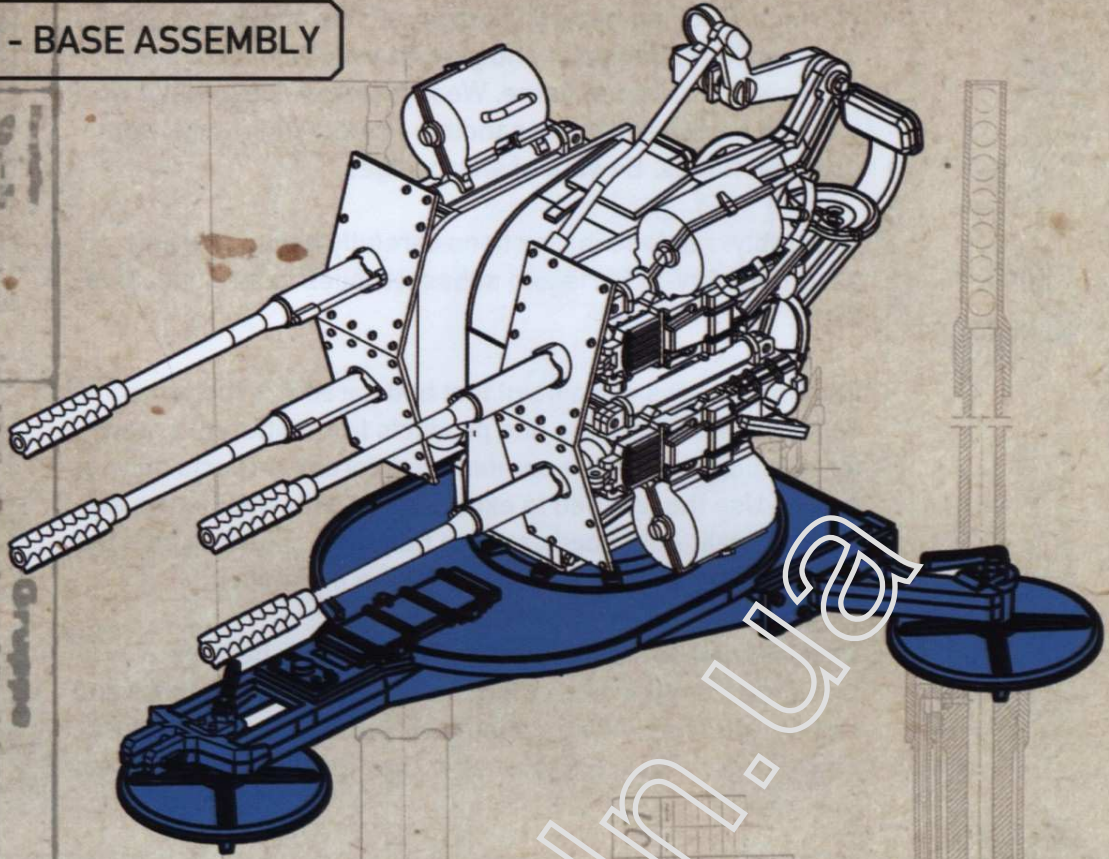


OPTION

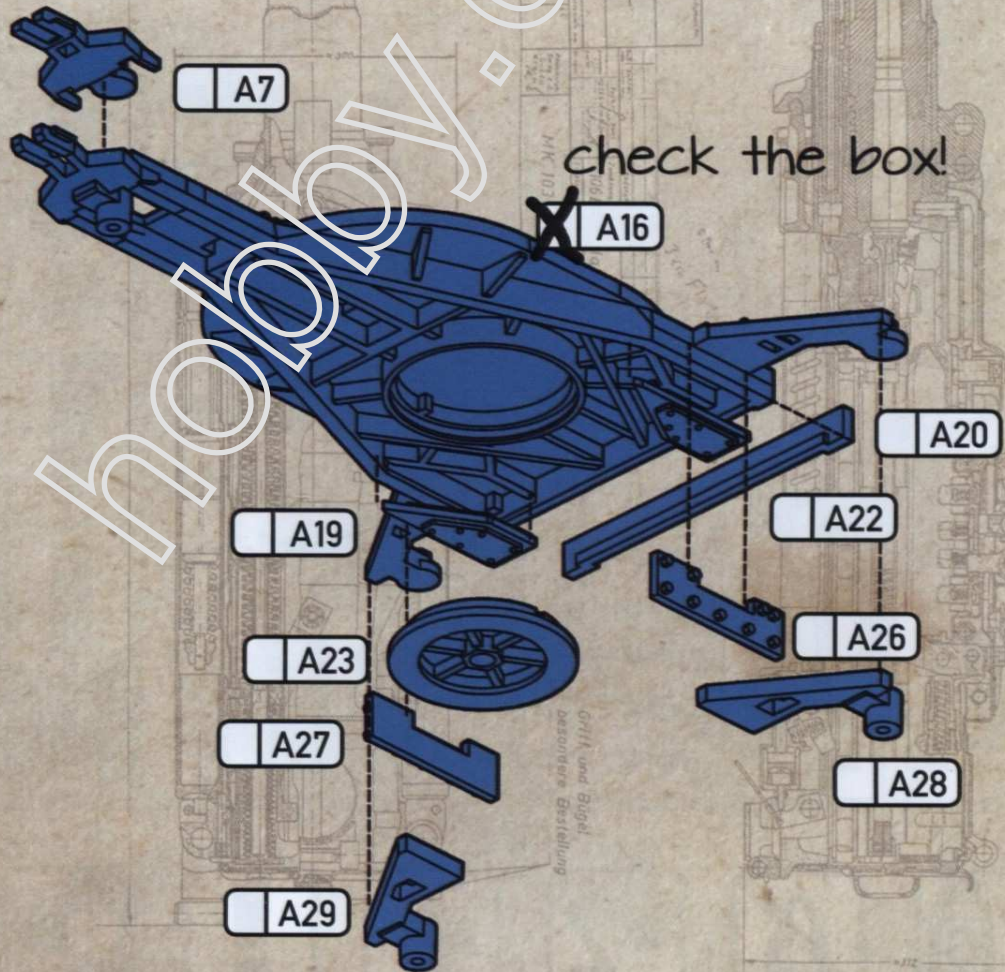


HOT RIVET

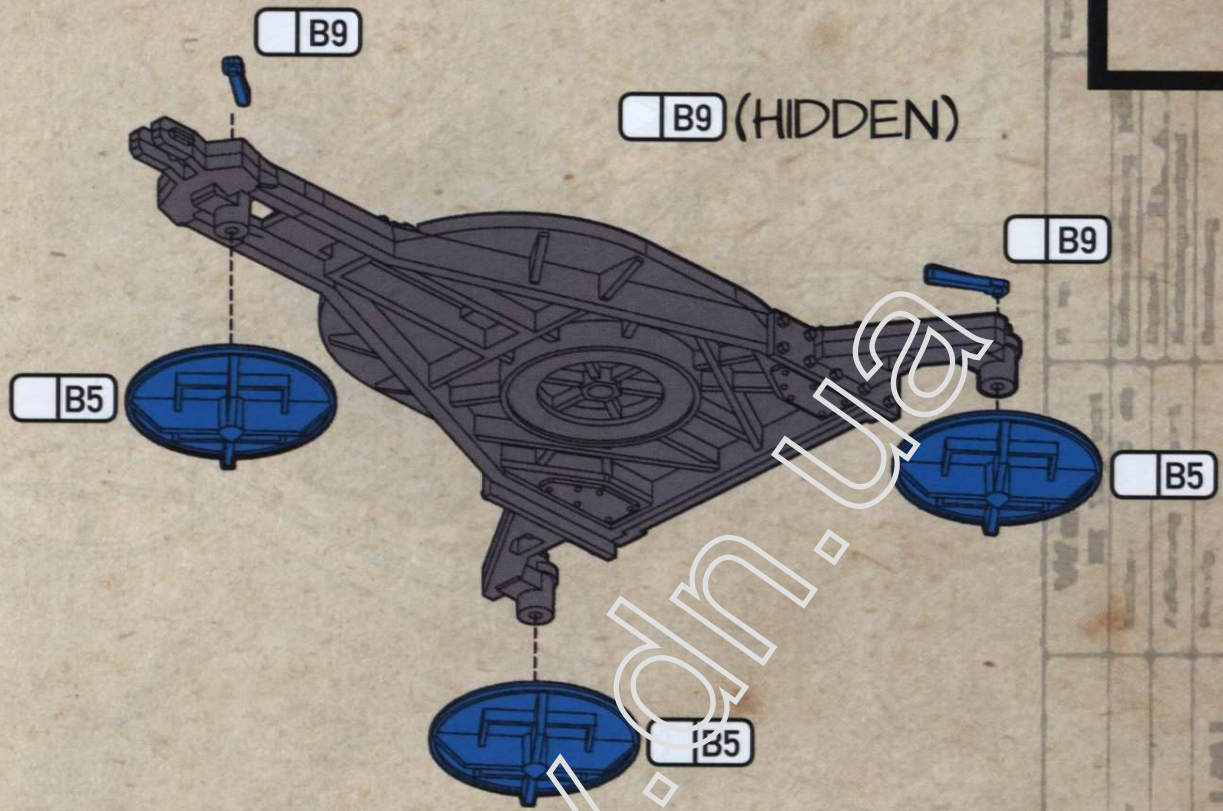
STEP 1 - BASE ASSEMBLY



STEP 1.1



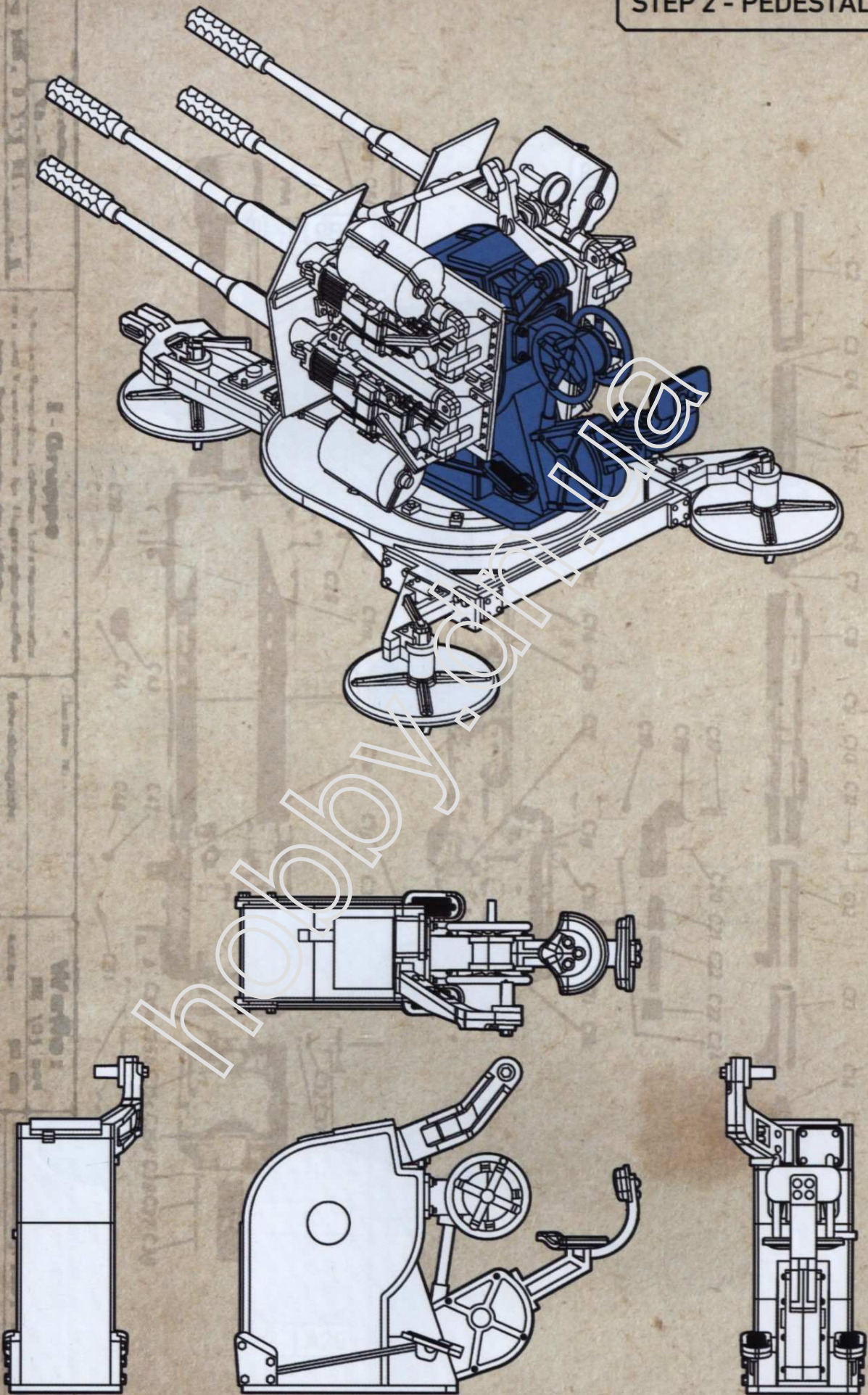
STEP 1.2



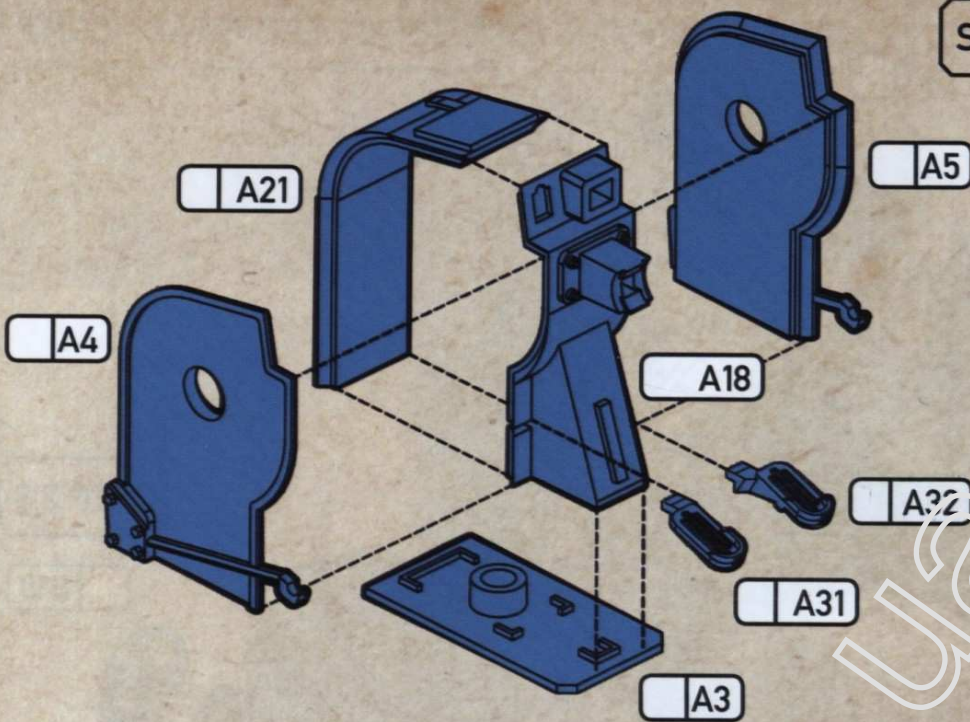
STEP 1 COMPLETED



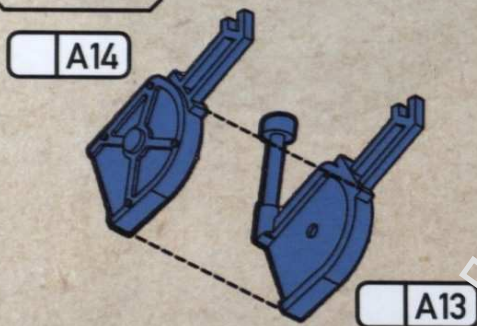
STEP 2 - PEDESTAL



STEP 2.1



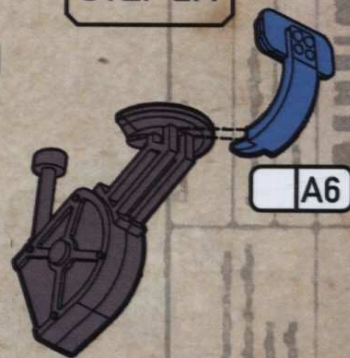
STEP 2.2



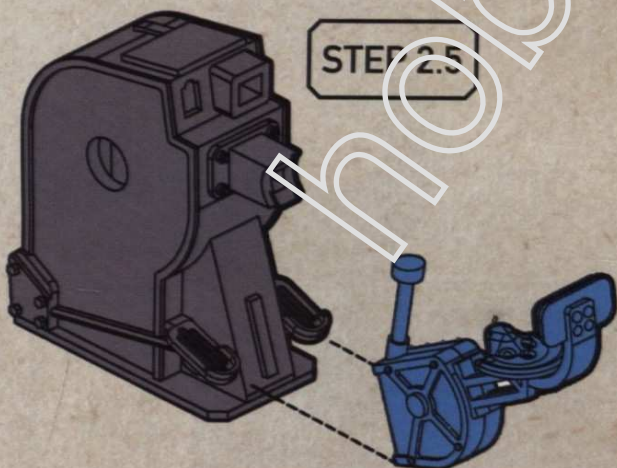
STEP 2.3



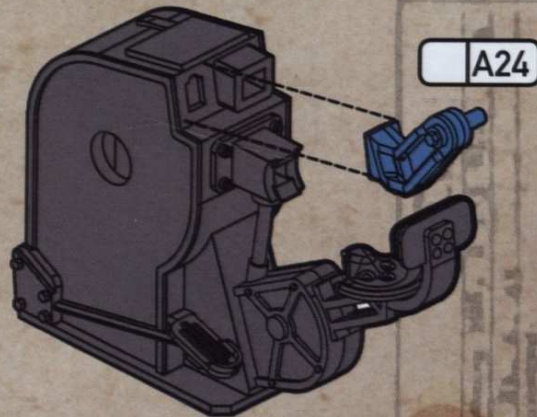
STEP 2.4



STEP 2.5

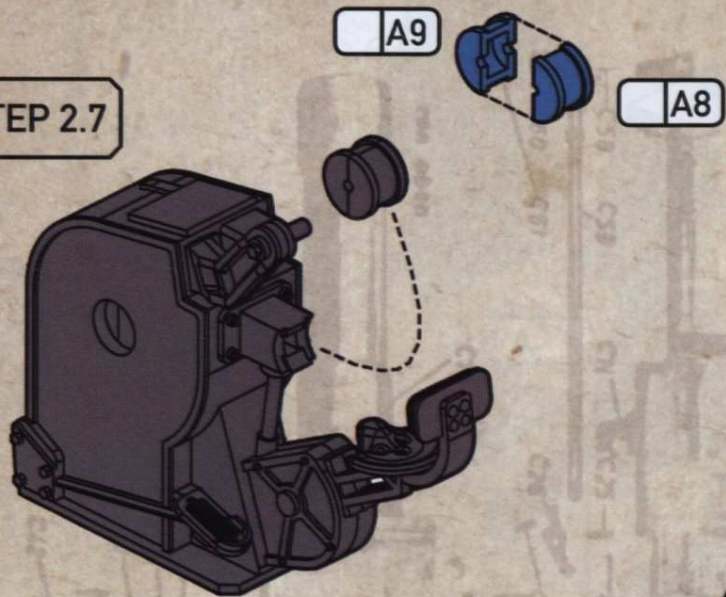


STEP 2.6

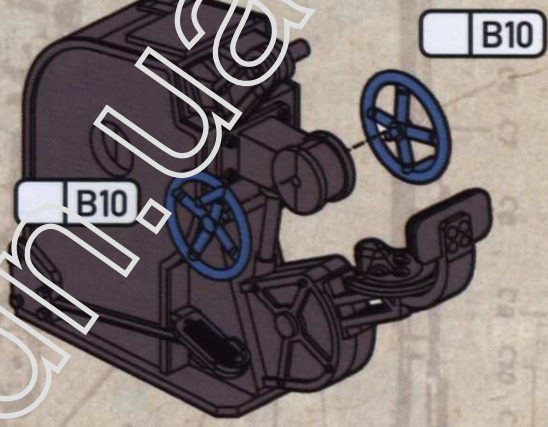


STEP 2 - PEDESTAL - CONT.

STEP 2.7



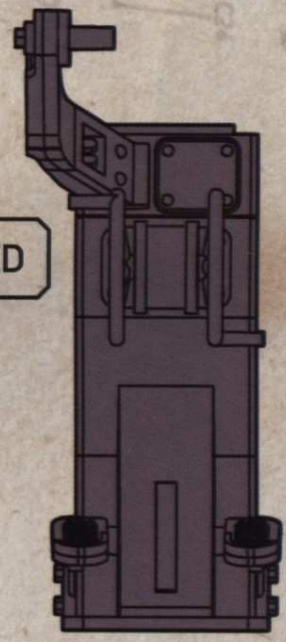
STEP 2.8



STEP 2.9



STEP 2 COMPLETED



hobby.din.us

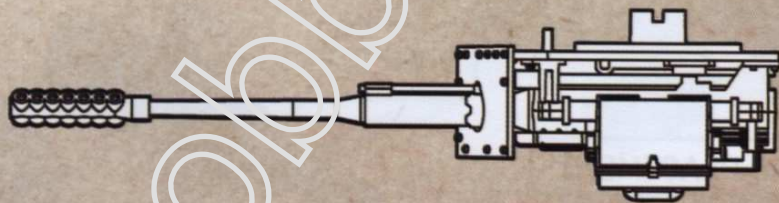
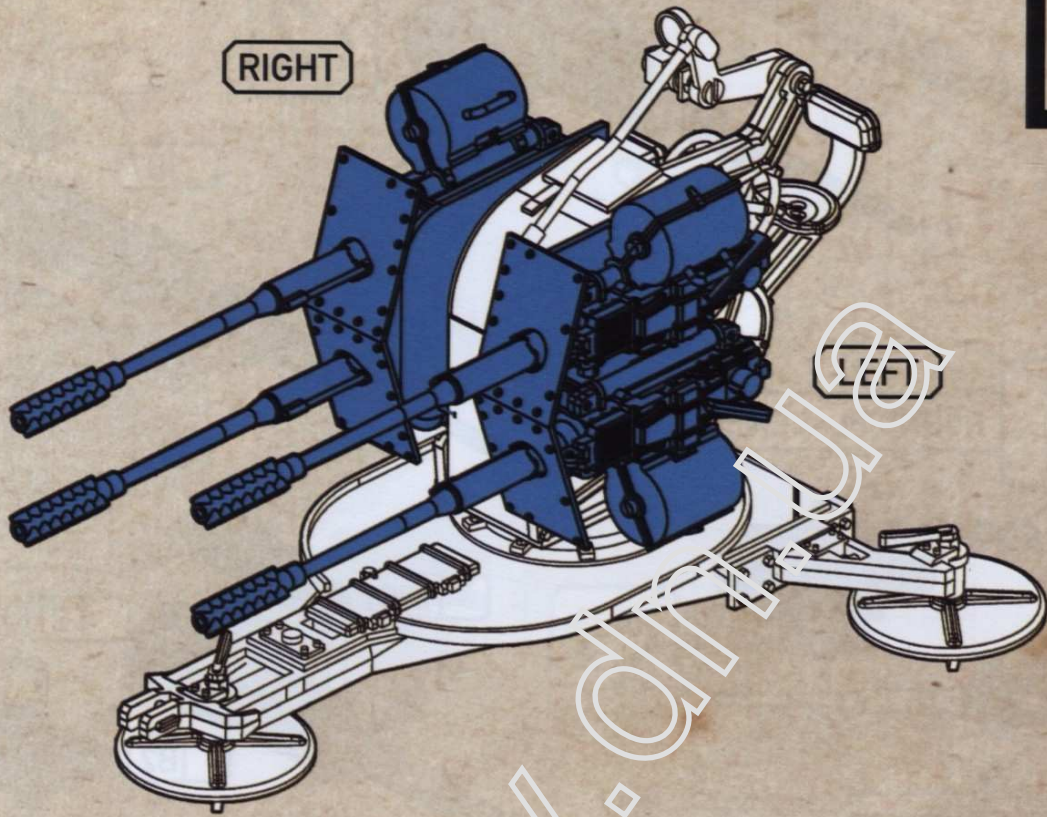
EC III
9. Nov 1981
J. G. Flack

Verfertigung: Blatt Nr. Zeichnungs-Nr.		Arbeitsplan-Nr.	
Werkstoff		Änderung	
Maßstab: 1:25	Zeichner: <i>[Signature]</i>	Zusammen-Nr. 106B103 Blatt 6	
Material: LC	EC	Ereignis für: MK 103 Pz. und Fl.	

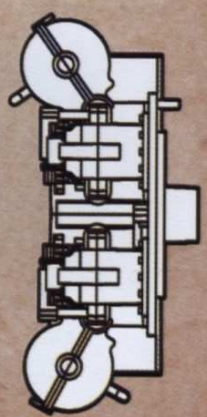
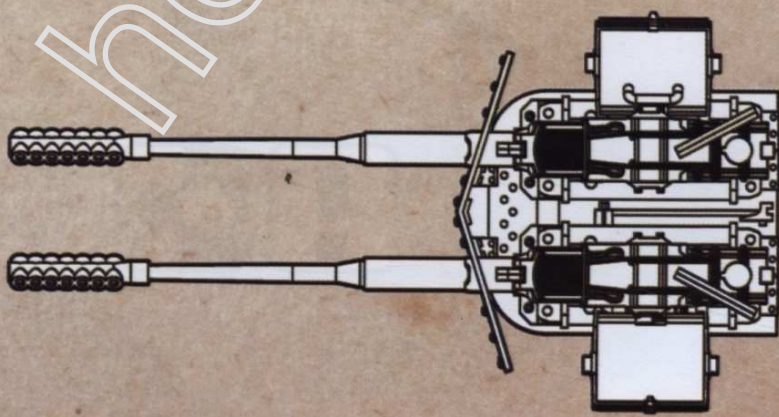
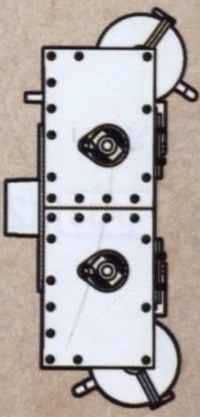
STEP 3 - Mk103 CANNON ASSEMBLIES

8

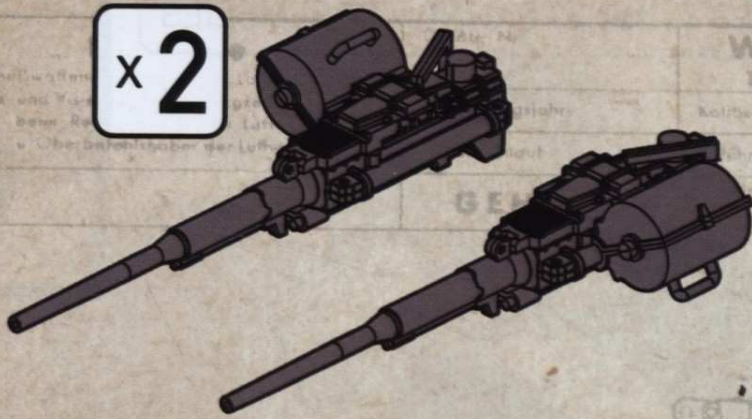
RIGHT



x 2

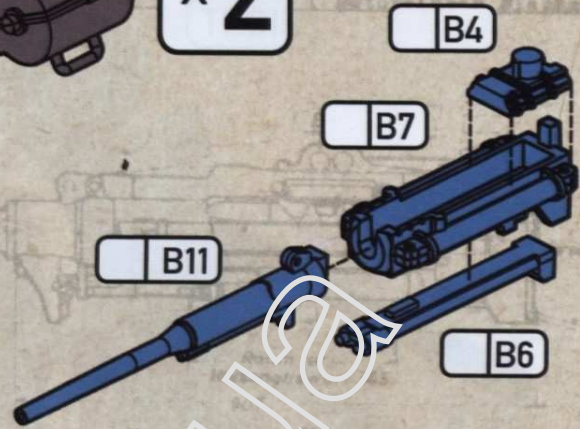


x2

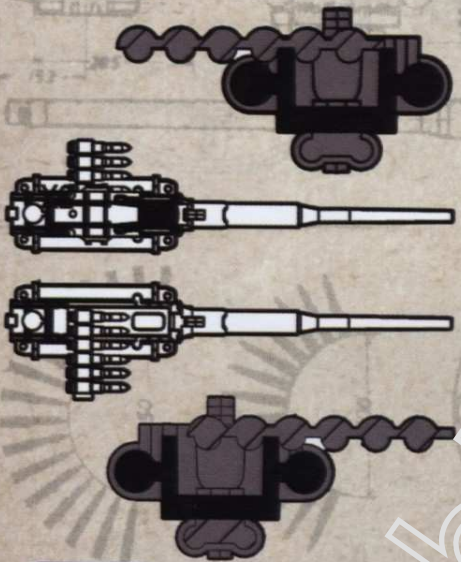


STEP 3.1

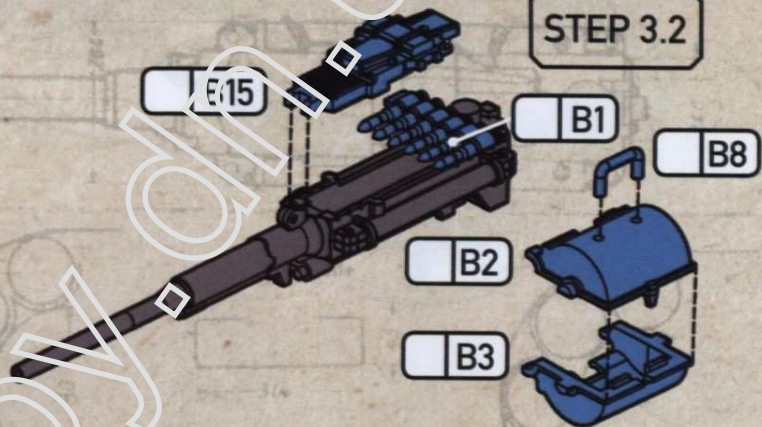
x2



ROUND PLACEMENT!

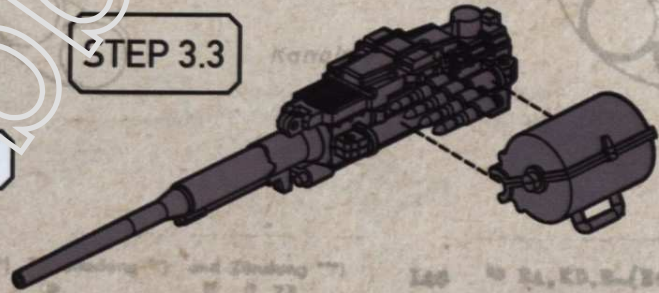


STEP 3.2



ROUND PLACEMENT!

STEP 3.3



A33 X2

A33 X2

STEP 3.4



REMOVE

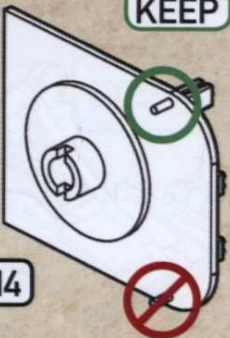
KEEP

STEP 3.5

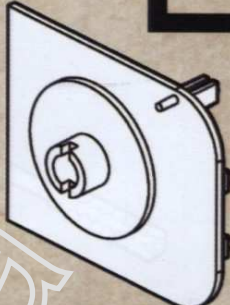
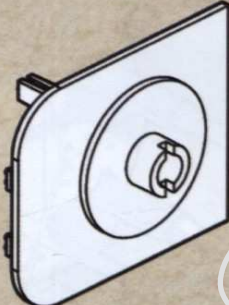


!RIGHT

!LEFT

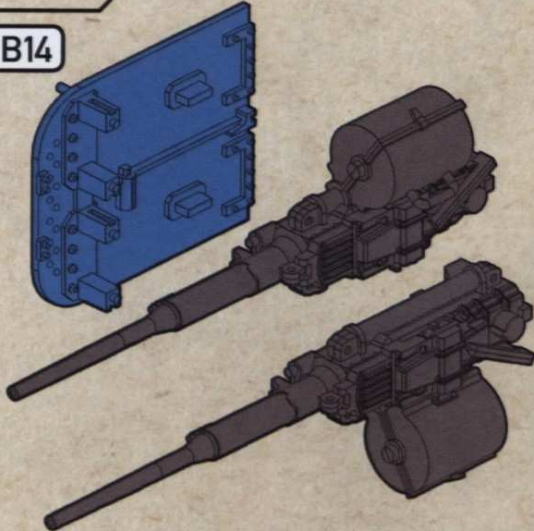


B14



STEP 3.6

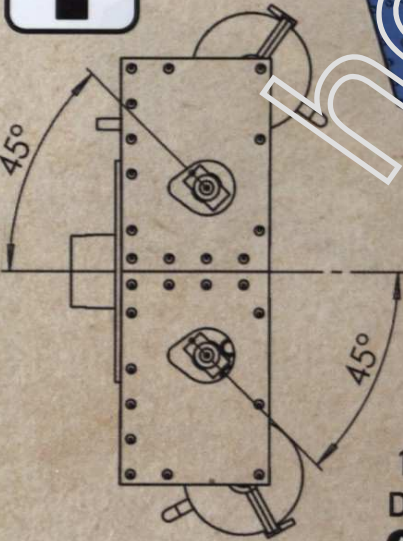
B14



x. 2

STEP 3.7

B12



STEP 3.8

B13

1mm DRILL



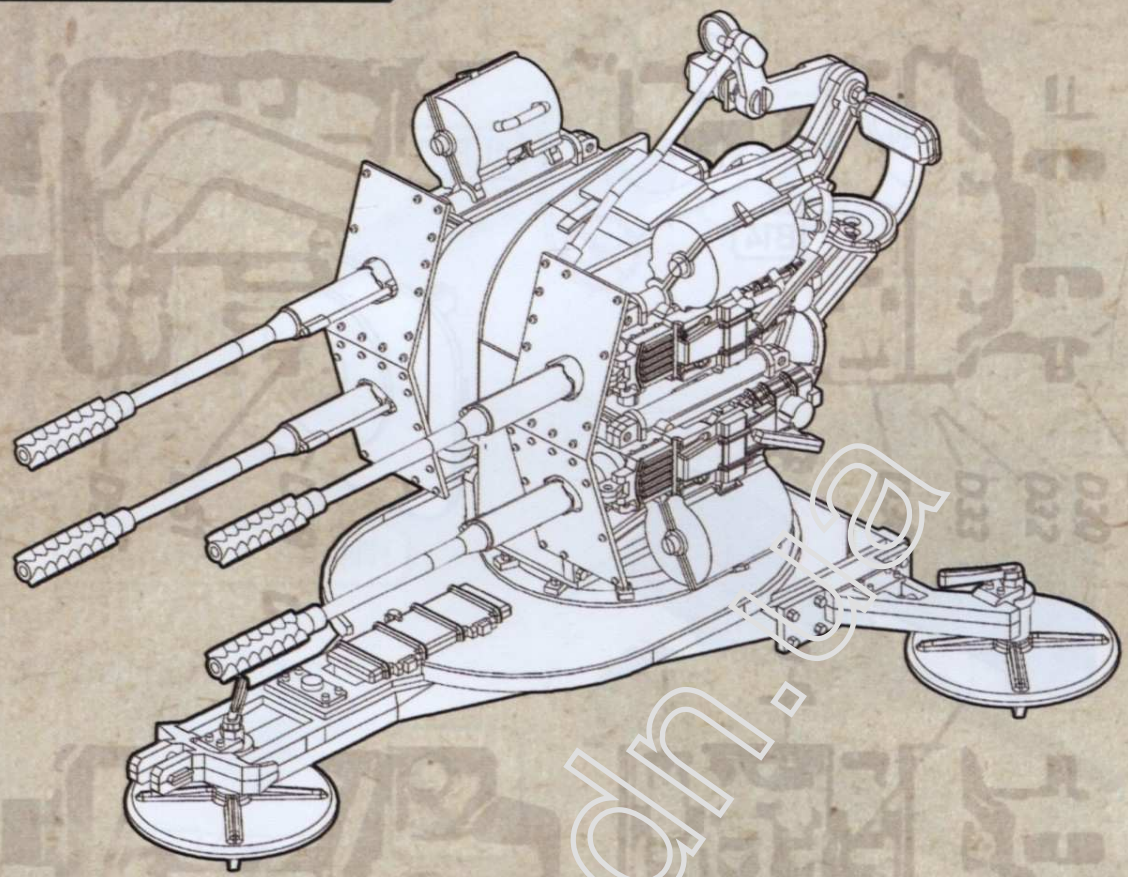
OPTION

B13

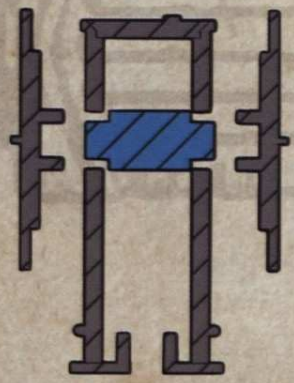
Veränderung:	Abbau	Änderung	Tag	Monat
Modell:	1:25	106B103 Blatt 6	3.4m Fl. 1/1	
Abbau:		CC	CC	
Abbau:		CC	CC	

MK 103 Pz. und Fl.

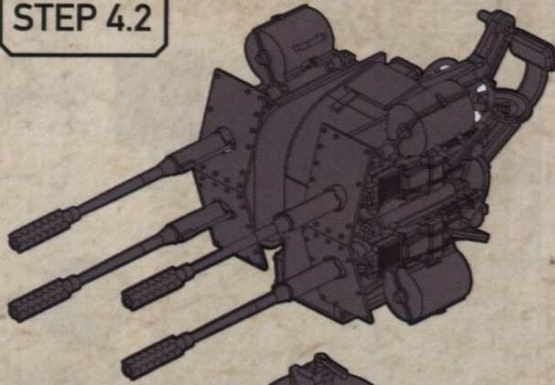
STEP 4 - FINAL ASSEMBLY



STEP 4.1



STEP 4.2

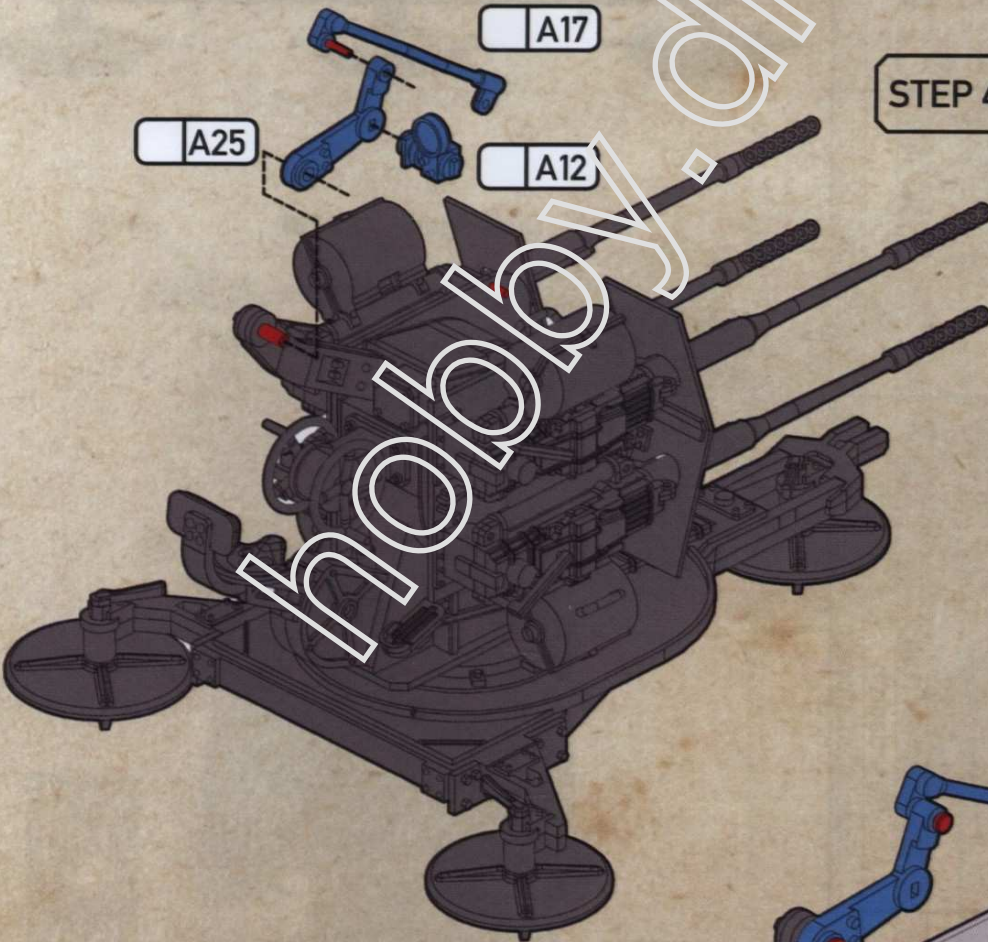


A17

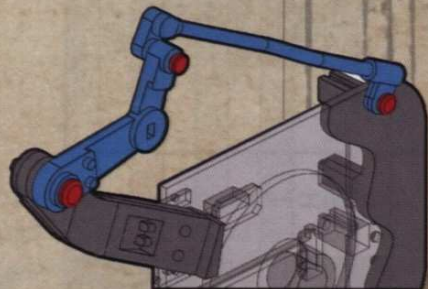
STEP 4.3

A25

A12



HOT RIVET



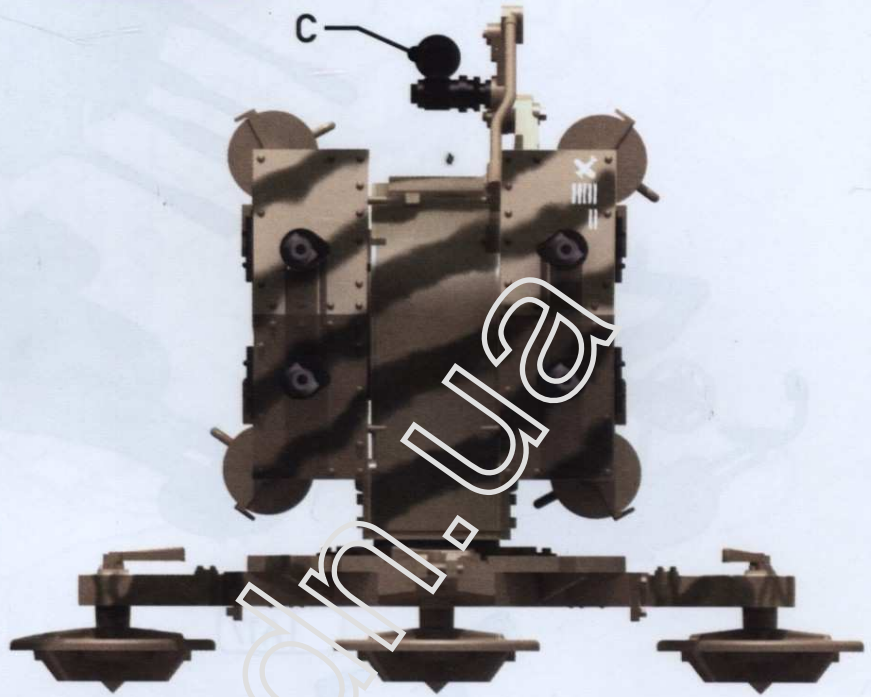
	COLOR	RAL	Tamiya	Mr Hobby H-series	AMMO of MIG	Vallejo	Humbrol	Mission Models
C	Black	9011	XF1	H012	46	70,950	33	MMP-047
D	Leather	/	XF10	H463	133	70,871	62	MMP-002
H	Gun Metal	/	X10	H028	45	70,863	53	MMM-001
I	Silver	9006	X11	H008	195	70,997	11	MMC-001
J	Dark Yellow	7028	XF60	H403	902	70,821	83	MMP-011
K	Olive Green	6003	XF58	H405	1	70,890	86	MMP-009
L	Satin Black	8017	X18	/	32	/	085	/
O	Dunkelbraun Nr.45	7017	XF10+XF68 80/20%	H037	7	70,875	251	MMP-060
P	Resedagrün	6011	/	/	3	70,857	88	MMP-018
Q	Schokoladenbraun	8017	/	H406	15	70,872	98	/



Dunkelgelb RAL7028



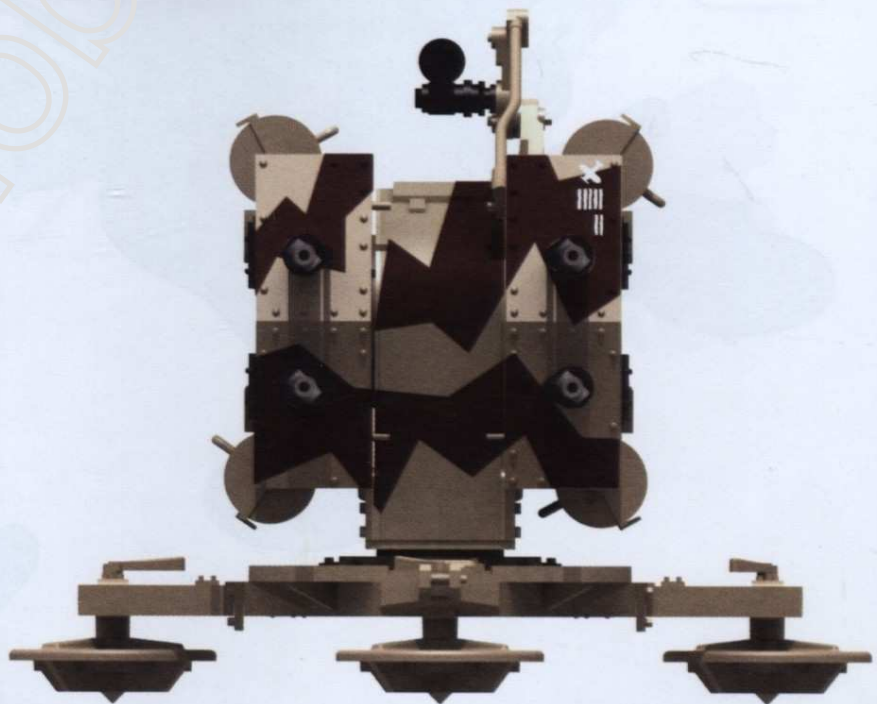
OliveGrün RAL6003



Dunkelgelb RAL7028

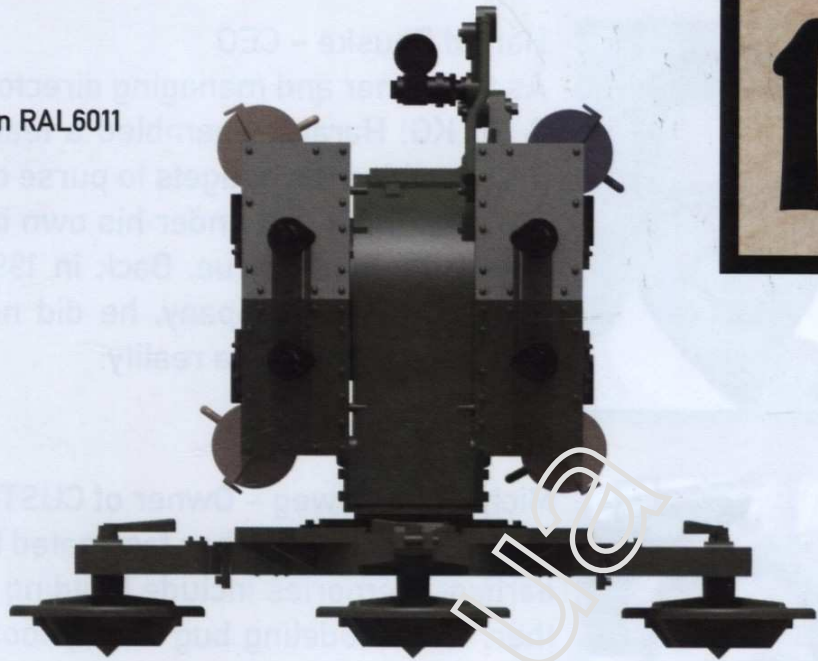


Schokoladenbraun RAL8017

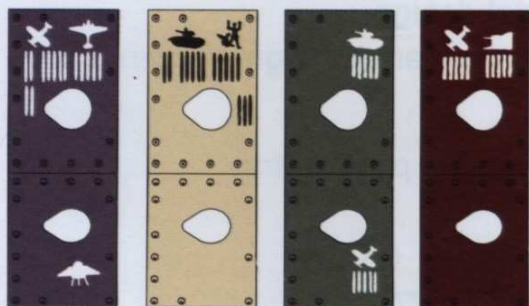
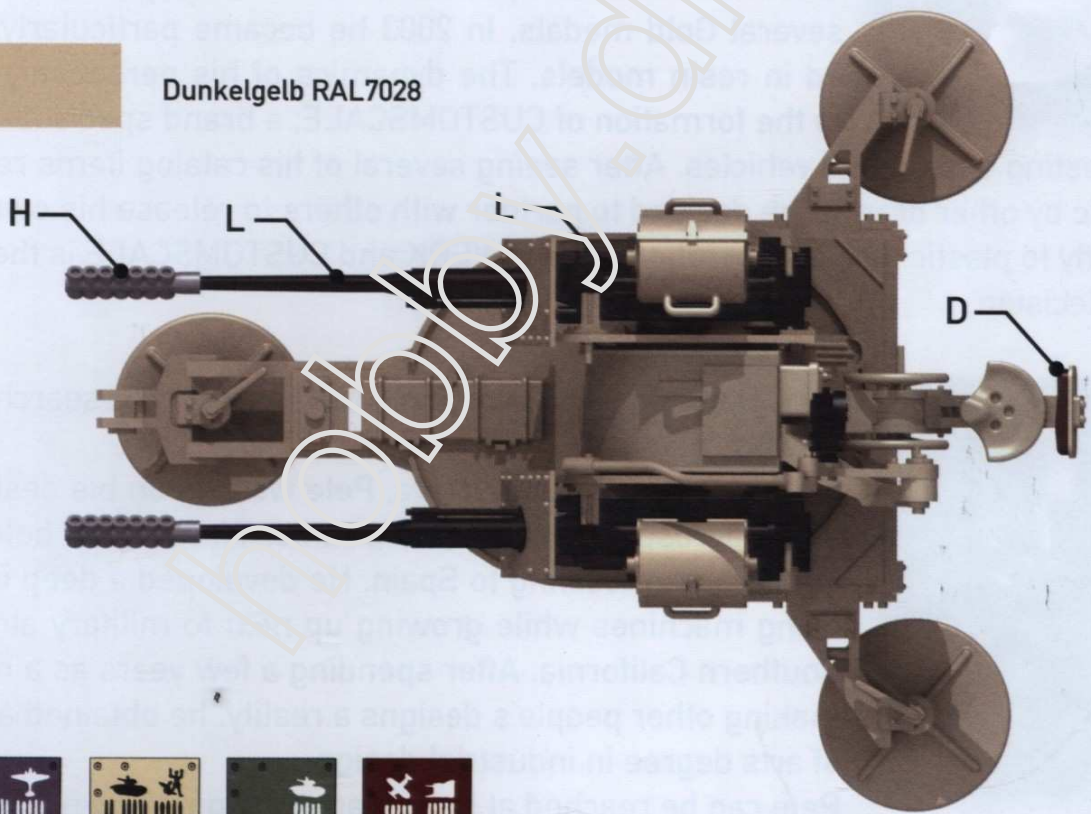




Resedagrün RAL6011



Dunkelgelb RAL7028



An assortment of decals are provided to allow you to depict a wide variety of fictitious examples of this experimental weapon. Few reference photos exist.