

**Das Werk**

IN COOPERATION WITH CUSTOMSCALE

SMK TYP-2

DW35005



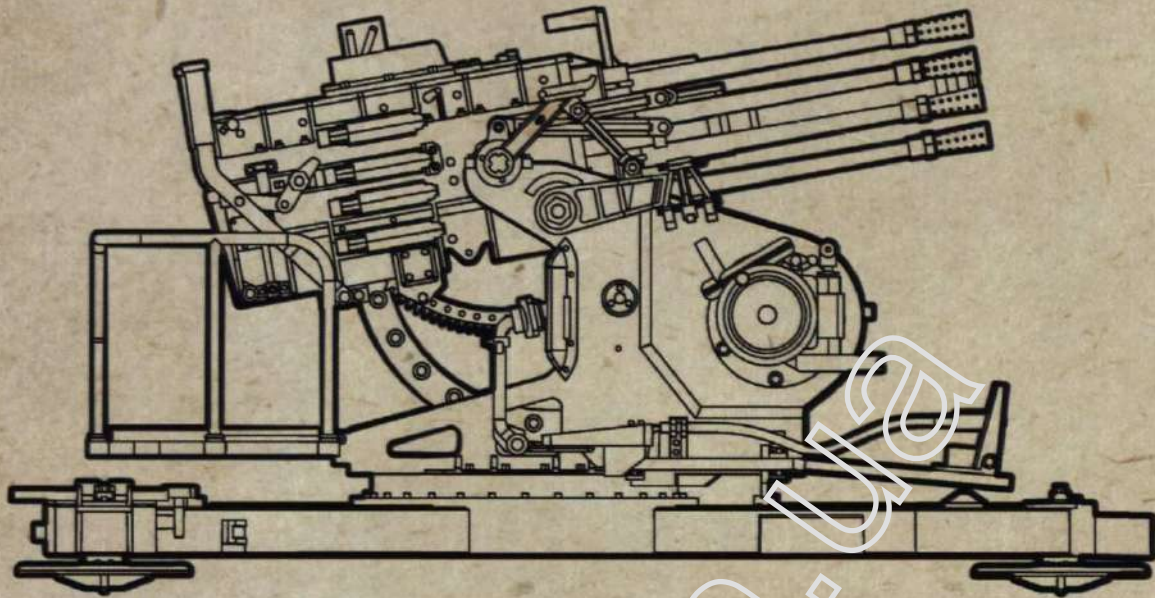
Salvenmaschinenkanone  
SMK 18 TYP 2

.....H. H. S. A. H., den ..... 19..

*Meyer*

Generalleutnant  
und  
General der Luftwaffe i. G. v. H.  
(Dienstgrad und Dienststellung)





## Salvenmaschinenkanone SMK 18 TYP 2

Rheinmetall was working on various experimental Flak Weapons with up to 8 barrels in the 1930s. One of those designs was the SMK V2, of which at least one prototype was built (which can be found today in a museum in Moscow). Unfortunately, no documents have survived the war or emerged from any archives, so nearly nothing is known about its exact history.

Aside from the physical attributes evident in the existing prototype; caliber, number of barrels, overall dimensions, function of the elevation and traverse mechanisms, etc... very little is known for certain about the Salvenmaschinenkanone (SMK) 18 Typ 2. Its 8 barrels were designed to fire simultaneously, sending an enormous amount of metal into the air with each cycle of its massive bolt. It would have been operated by a crew of 3-4 operators. The aiming mechanism controls were operated by the crewman in the right hand seat. The loader would have been located on the rear platform. Charging handles were located on either side of the breech block and were reachable from the rear platform. The technological and manufacturing challenges encountered in getting all 8 chambers to successfully and safely fire at a high enough rate to justify the adoption of this weapon over other proven weapons of the period relegated it to the role of future museum piece almost from the outset.





**Warning:** Choking hazard. Keep small bits and pieces away from toddlers. Use paint and glue in well-ventilated areas only, away from open flame. Wear protective gear while working with knives and while sanding. Protect your lungs from dust and fumes. Beware of sharp edges.

**Assembly:** read the instructions carefully before starting assembly. Dry-fit parts and sub-assemblies before installing them.

**Painting:** Always run a paint test bed parallel to the project. Test chemical reactions and products from different brands for compatibility before combining different products on your model. Use the test bed to experiment with weathering effects as well.

**Decals:** Soak decals in warm water until they become loosened from the carrier film. Consider using softeners and setting solutions. Avoid trapping air bubbles under the decal. Seal decal with a clear coat after they have thoroughly dried.



OPTION



CAUTION



REPEAT



DECALS



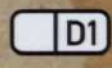
NO GLUE



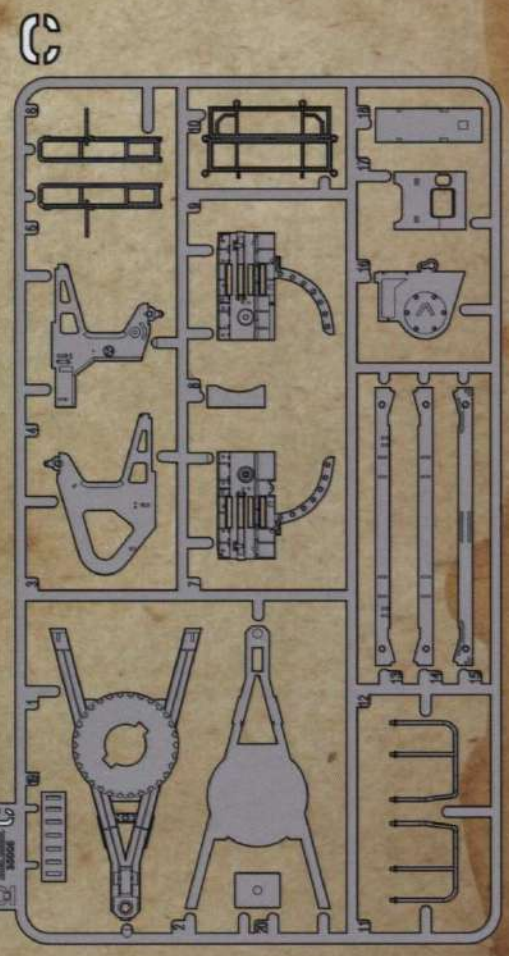
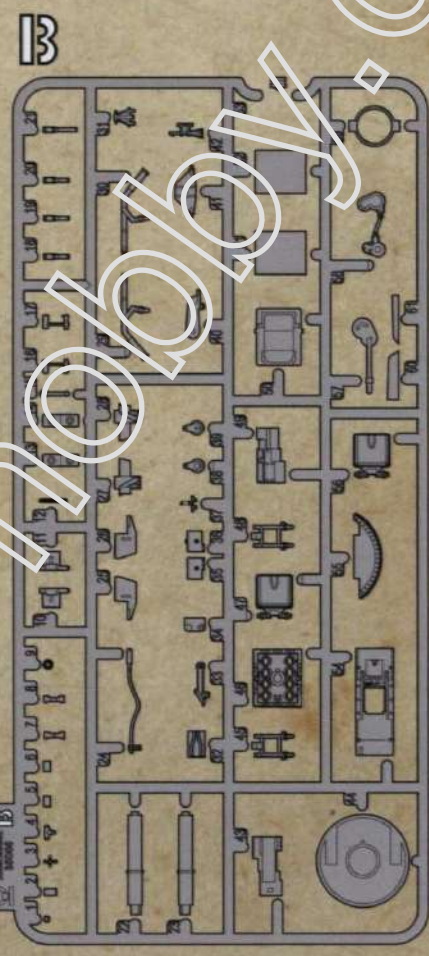
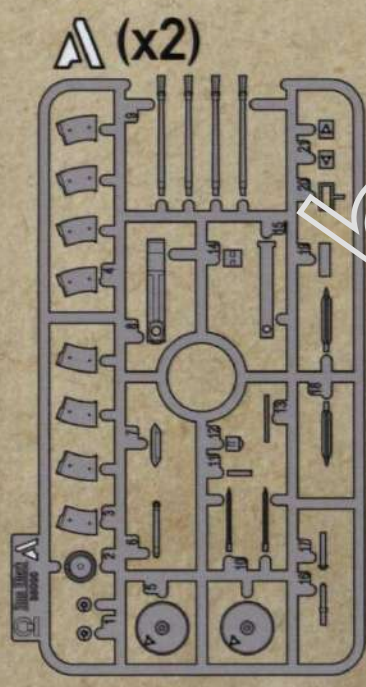
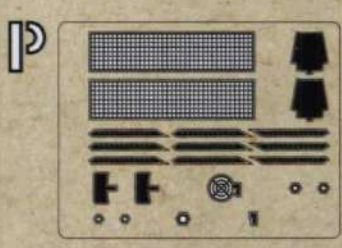
USE LITTLE GLUE



USE CA GLUE

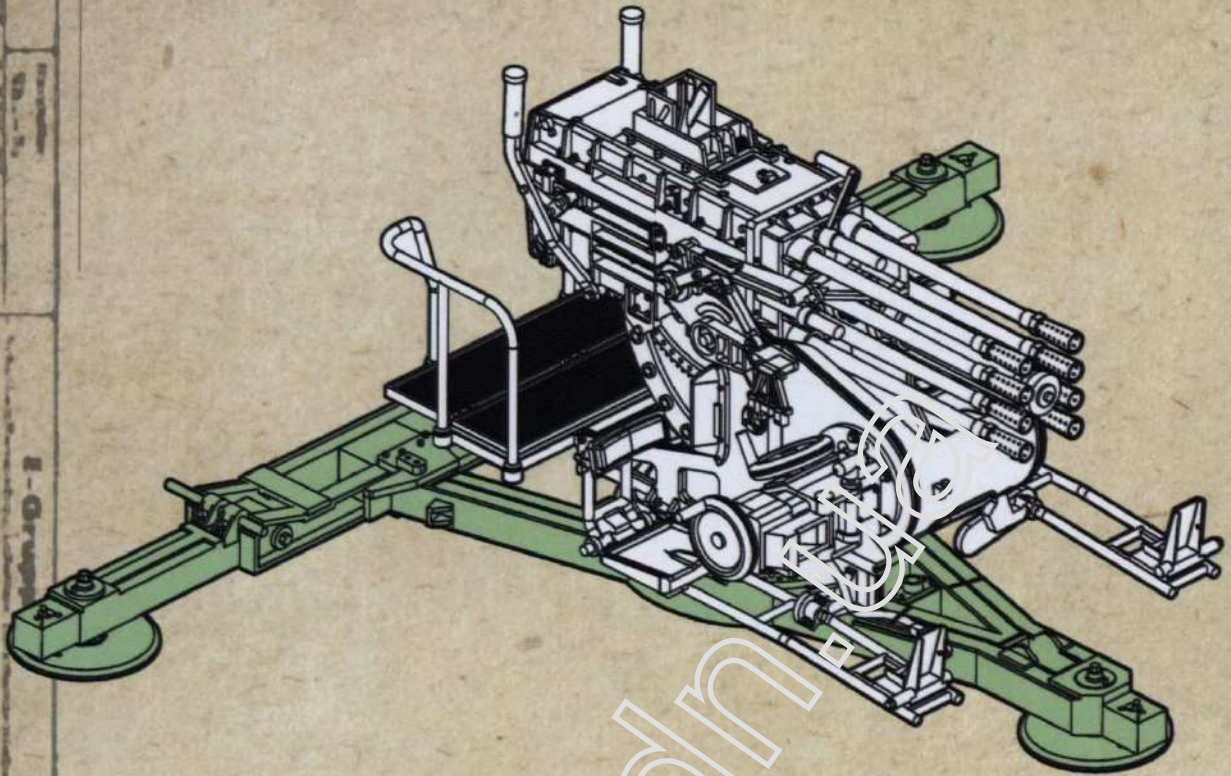


CHECK BOX





SECTION 1: BASE ASSEMBLY



1.1



C15

A20

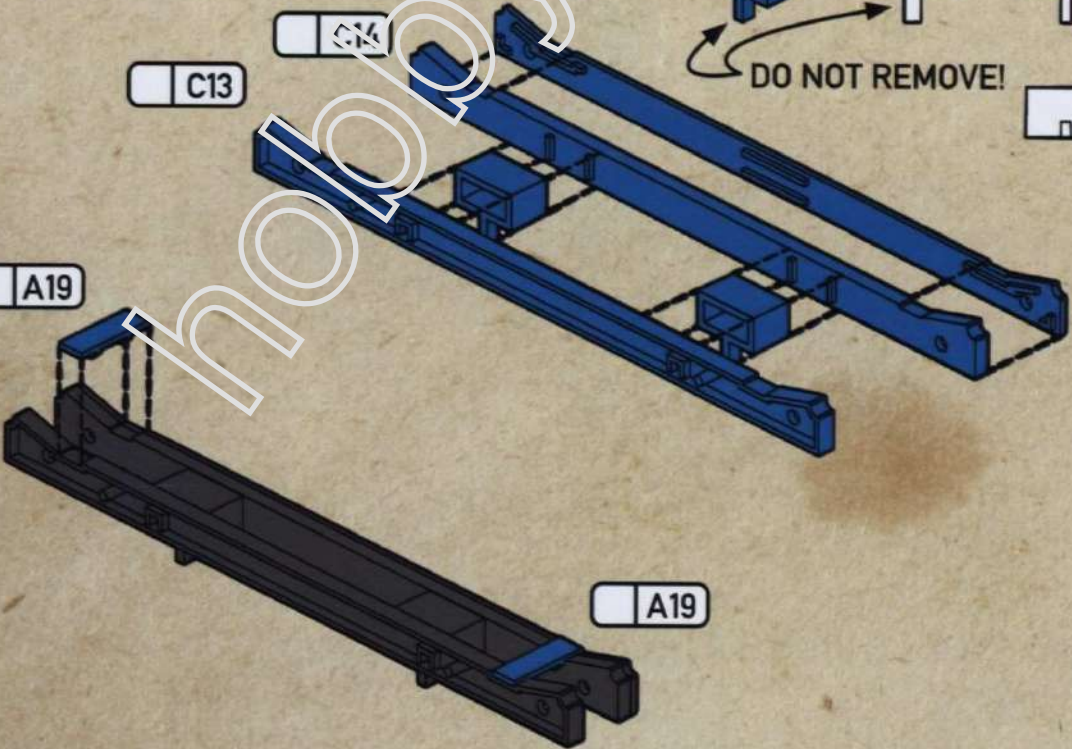
C13

C14



A19

A19

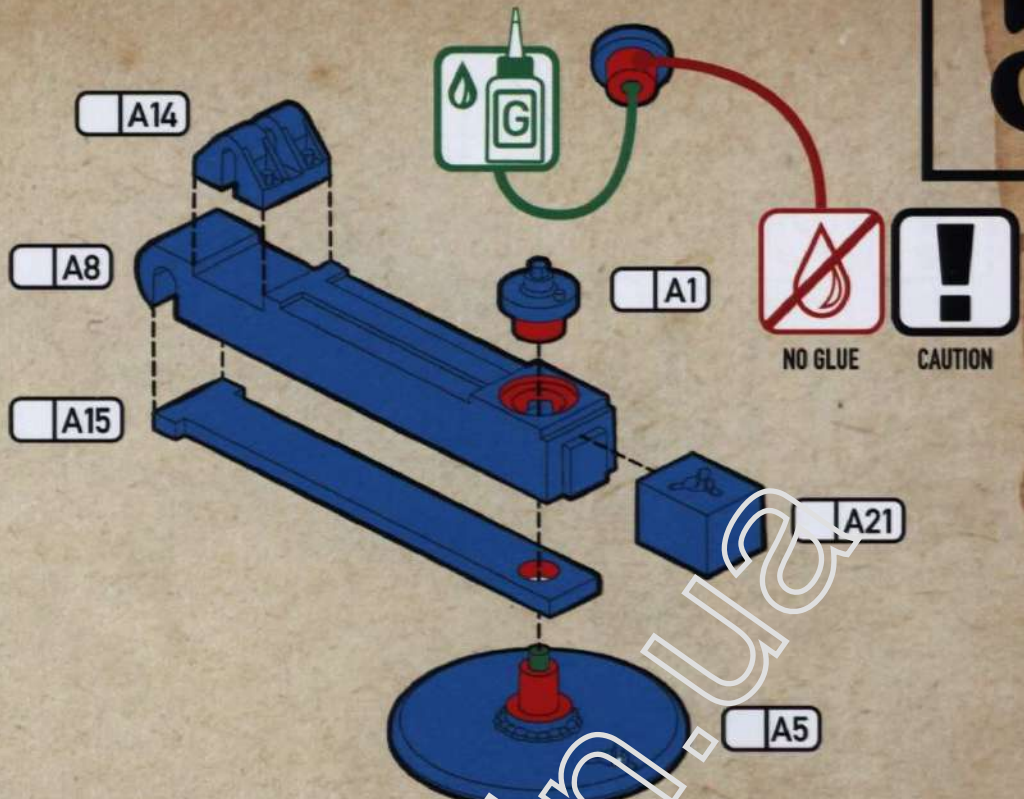




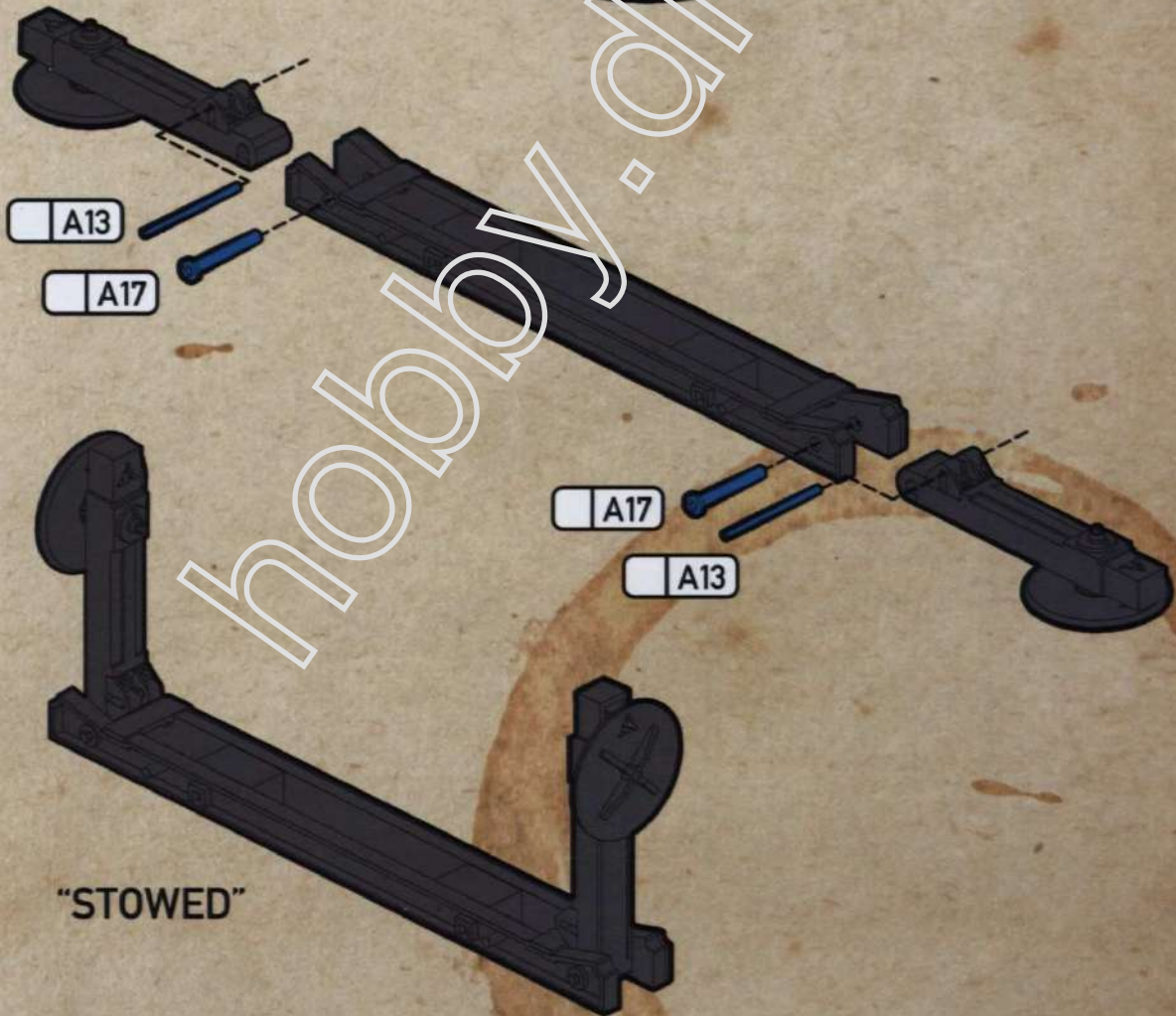
1.2

X 2

REPEAT



1.3





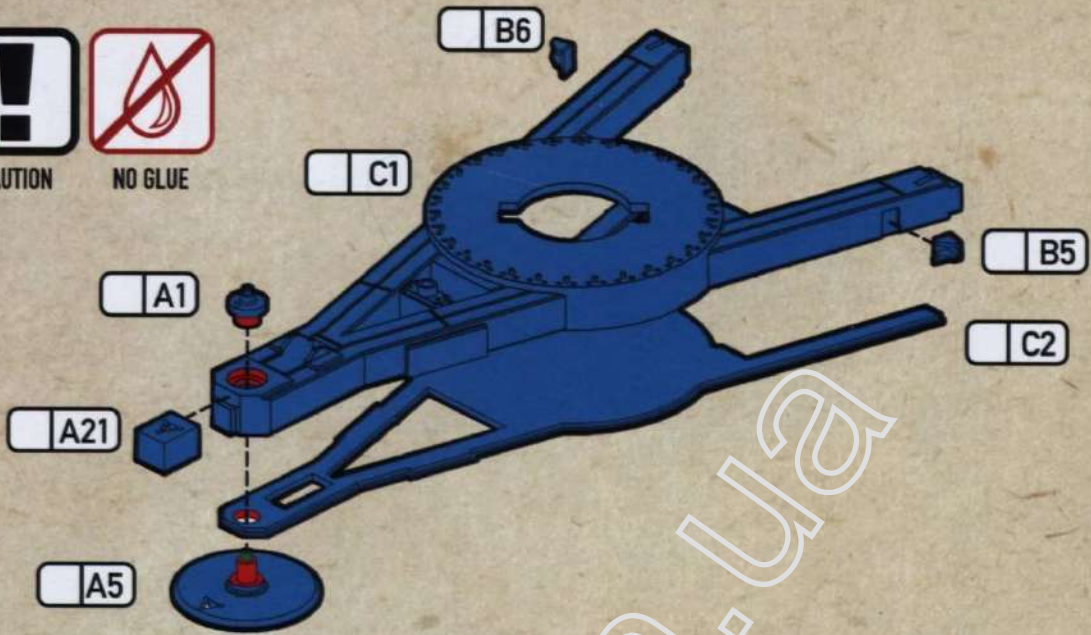
1.4



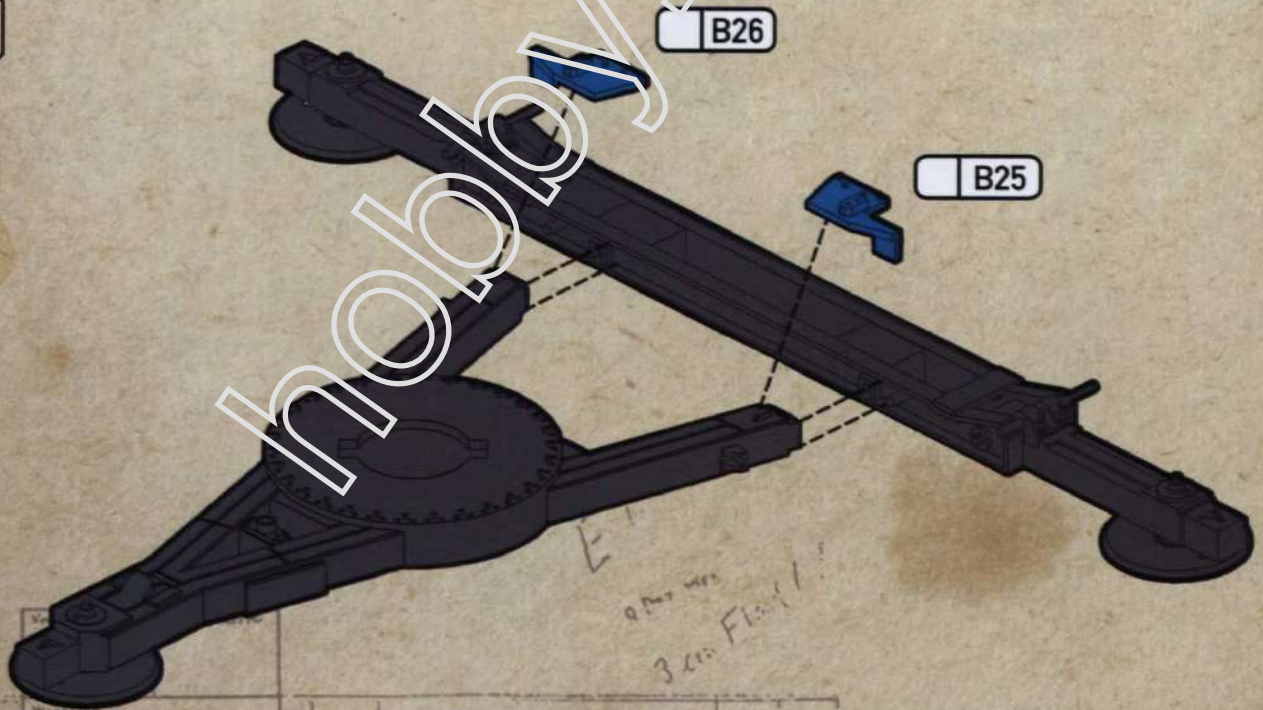
CAUTION



NO GLUE



1.5

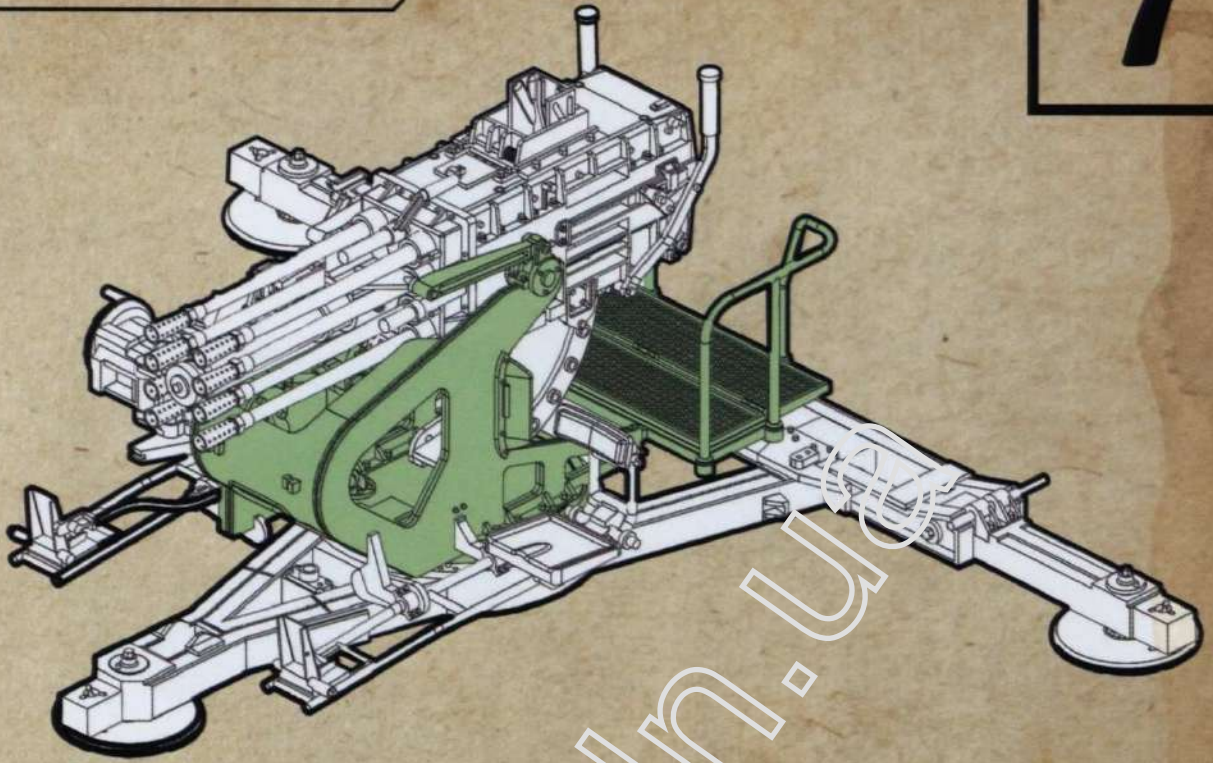


Handwritten notes: *9. Nov 1975*, *3. 2. 1975 Fl. 1/1*

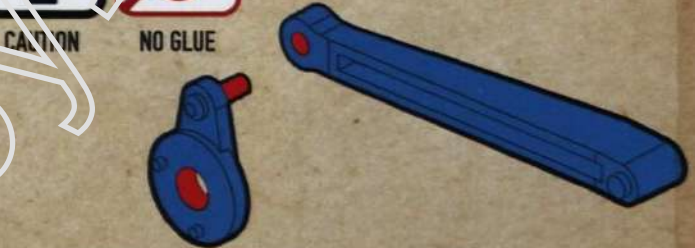
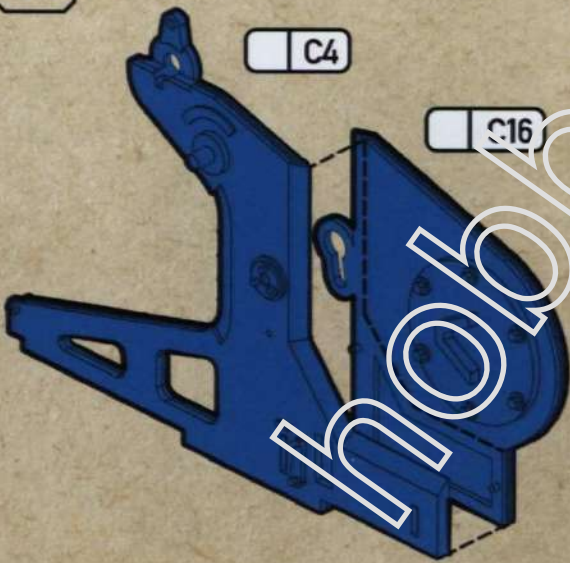
|                  |  |            |  |              |  |                 |  |                       |  |
|------------------|--|------------|--|--------------|--|-----------------|--|-----------------------|--|
| Modell           |  | 1:25       |  | Änderung     |  | Teil            |  | Name                  |  |
| Techn. Zeichnung |  | Zeichner   |  | Zusammen-Nr. |  | 106B103 Blatt 6 |  |                       |  |
| Kontrolliert     |  | Gezeichnet |  | Techn. Inst. |  |                 |  |                       |  |
| LC               |  | LC         |  | LC           |  | Pharmazie       |  | SALVENMASCHINENKANONE |  |



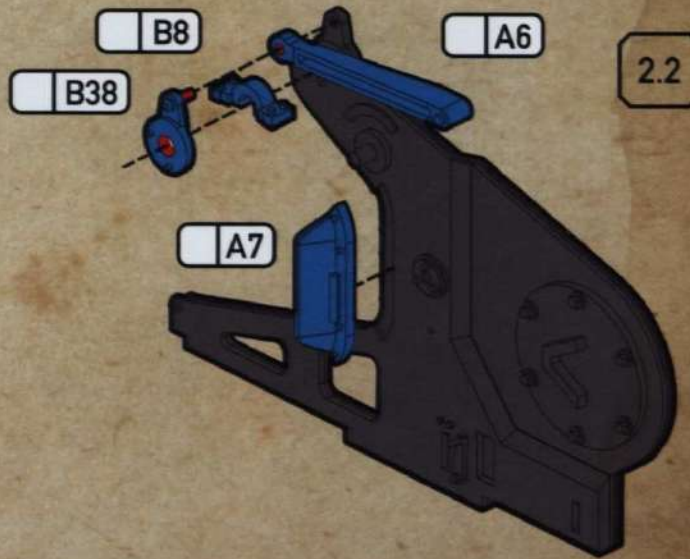
SECTION 2: CRADLE ASSEMBLY



2.1



2.2





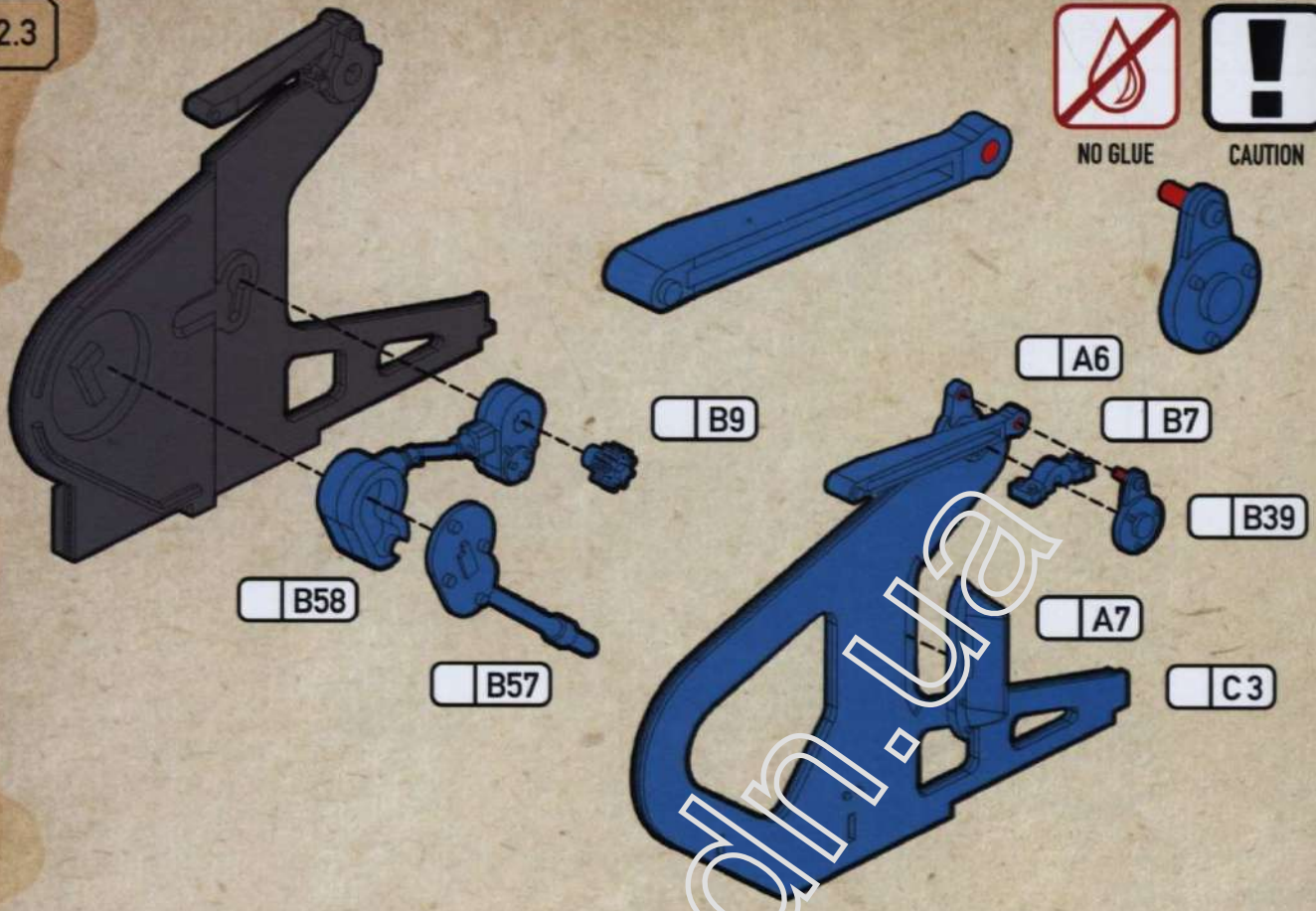
2.3



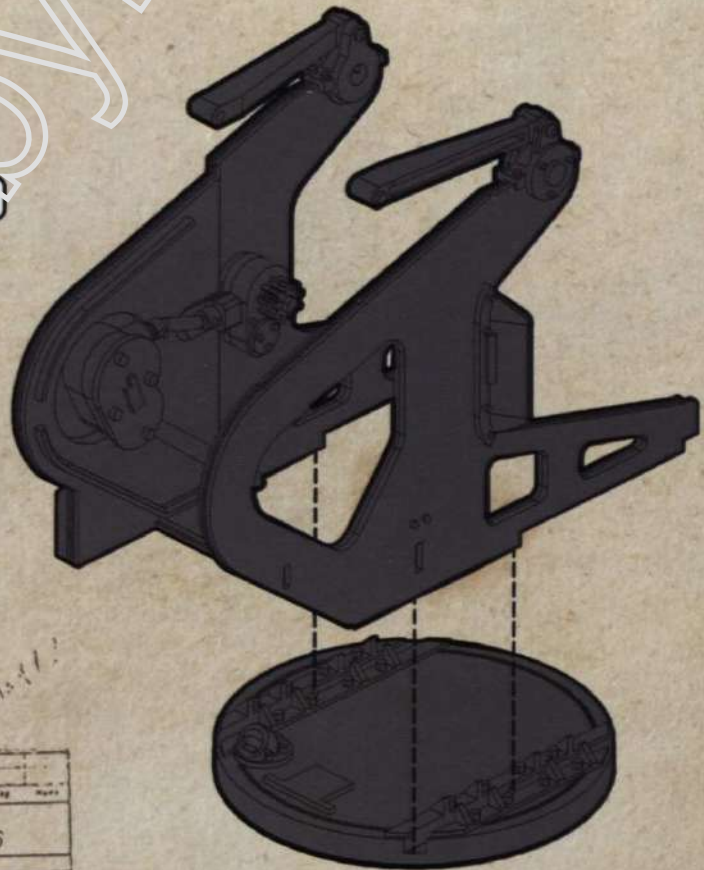
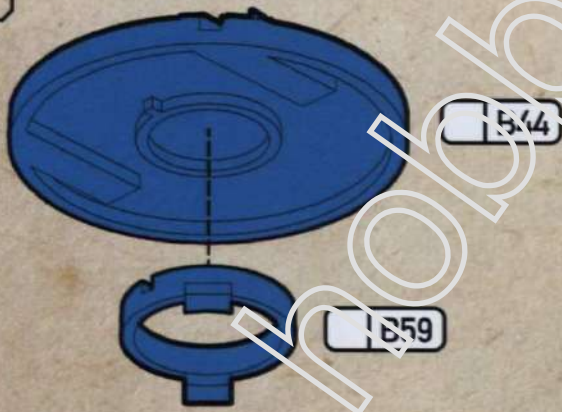
NO GLUE



CAUTION



2.4



*E1111  
9.11.11  
3.2m Fl. 11.11*

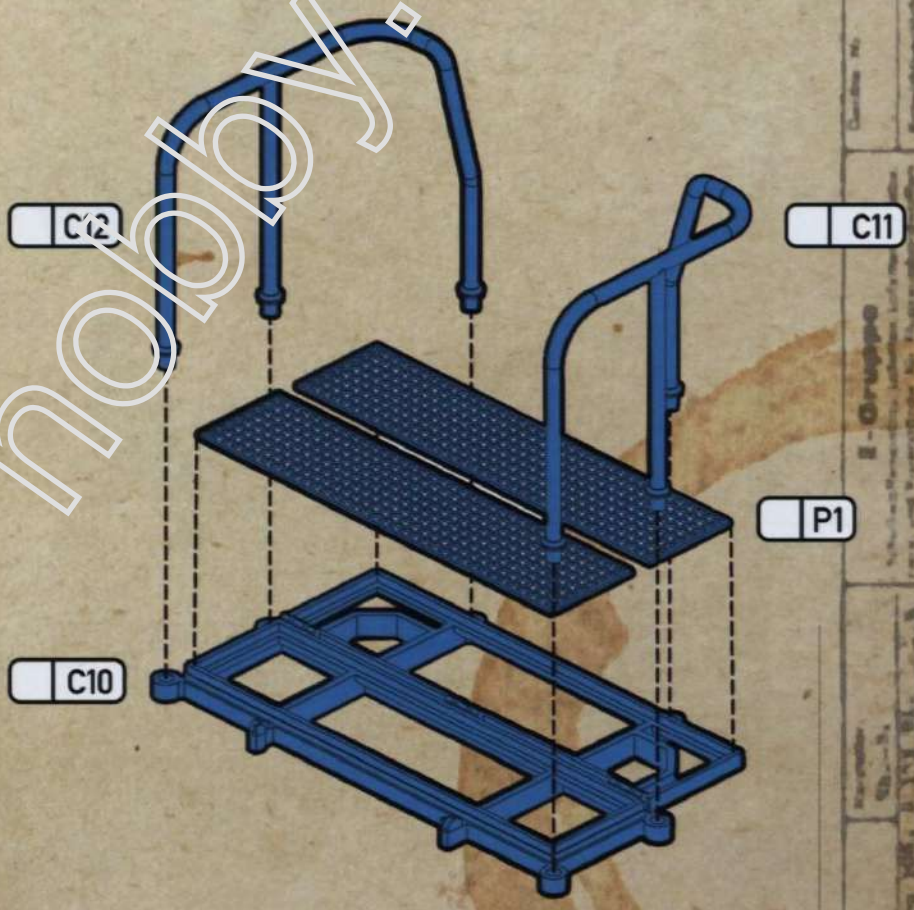
|                                   |  |                                  |  |
|-----------------------------------|--|----------------------------------|--|
| Zeichnungs-Nr.<br>106B103 Blatt 6 |  | Änderung<br>Tag                  |  |
| Maßstab<br>1:25                   |  | Zeichnung-Nr.<br>106B103 Blatt 6 |  |
| Werkstoff<br>LC                   |  | SALVENMASCHINENKANONE            |  |



2.5



2.6

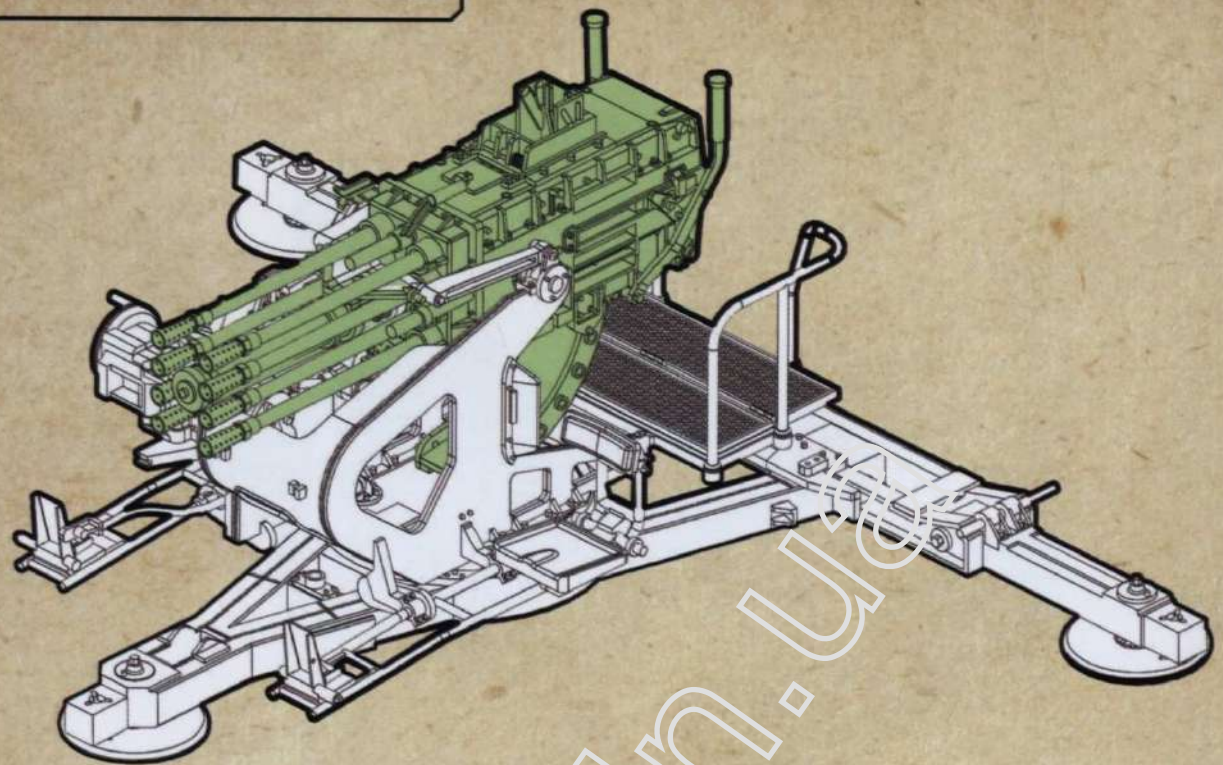


9

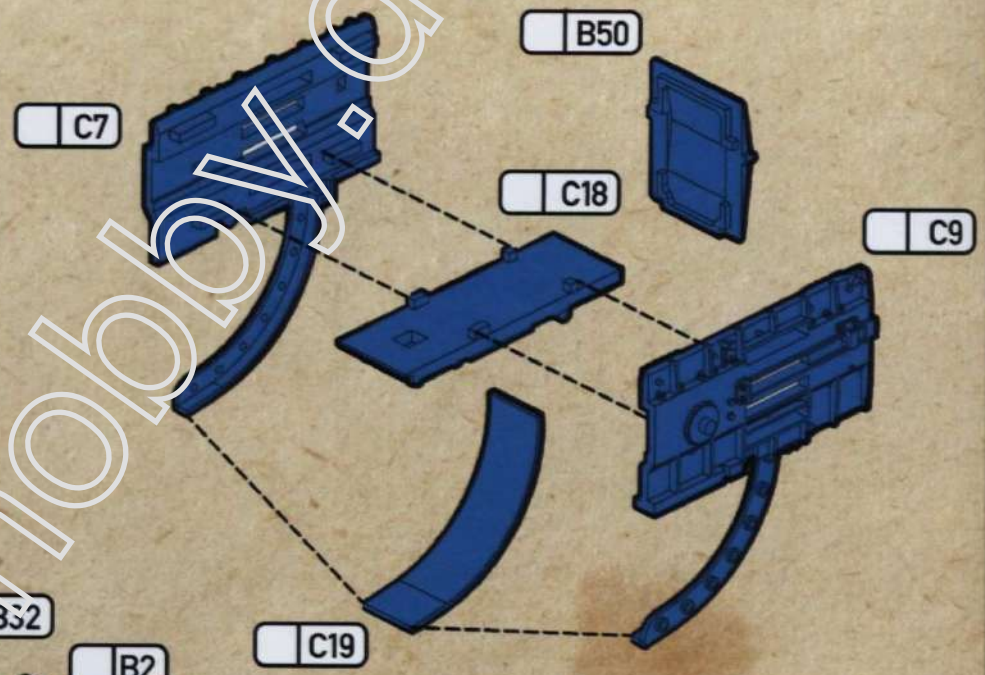
|              |           |           |           |
|--------------|-----------|-----------|-----------|
| Zeichnung    | Druckjahr | Blatt     | Blattzahl |
| 1-Gruppe     | 1973      | 101       | 101       |
| Beschreibung |           | Druckjahr |           |
| 1-Gruppe     |           | 1973      |           |
| Beschreibung |           | Druckjahr |           |
| 1-Gruppe     |           | 1973      |           |
| © HEBEL      |           |           |           |



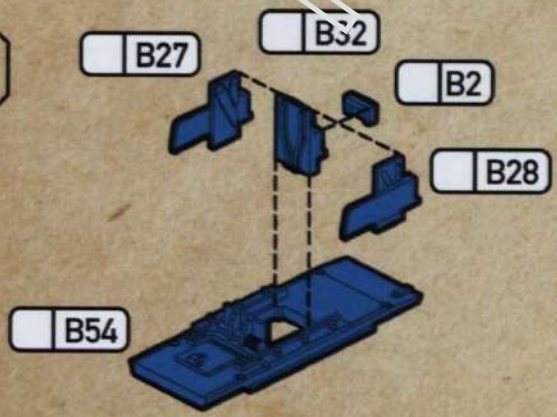
SECTION 3: BREECH AND BARRELS



3.1



3.2





3.3

NOTE ORIENTATION!



CAUTION

B52



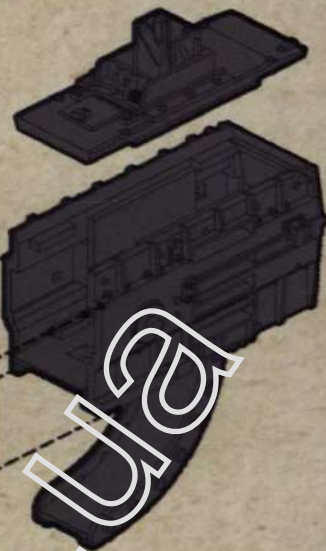
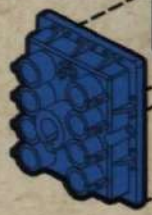
B51



3.4

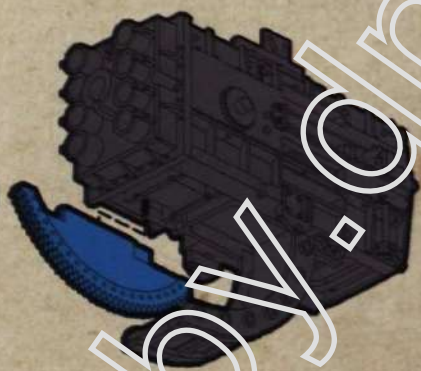


B46



3.5

B55



3.6

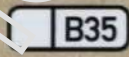
B41



B36



B35

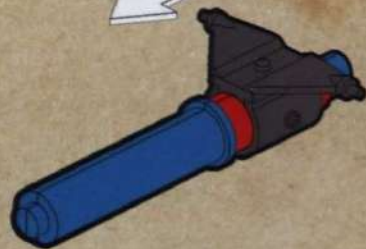


3.7

B23



B22



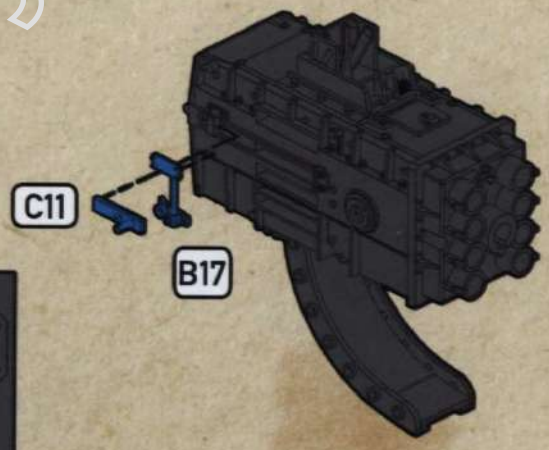
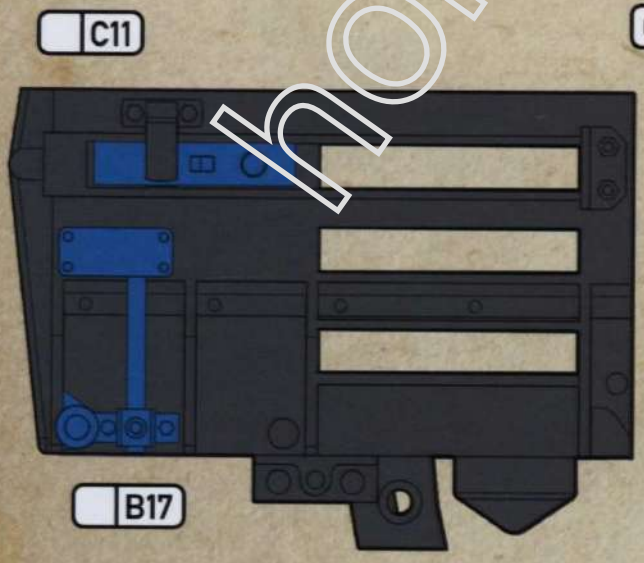
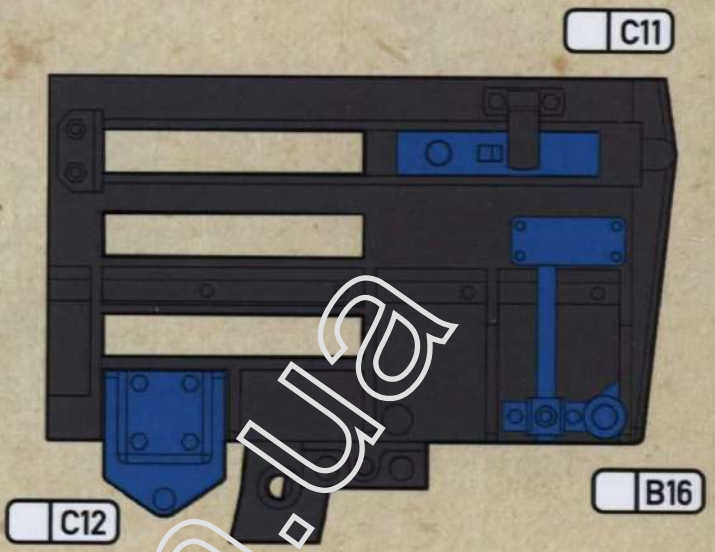
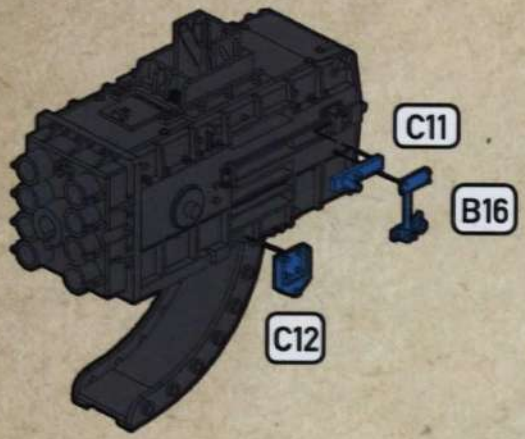
CAUTION



NO GLUE



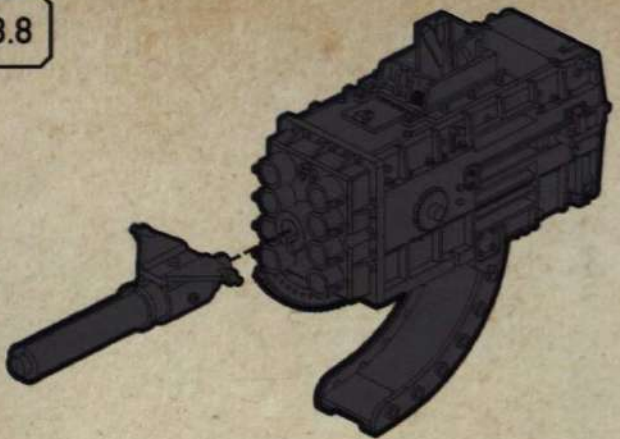
3.7



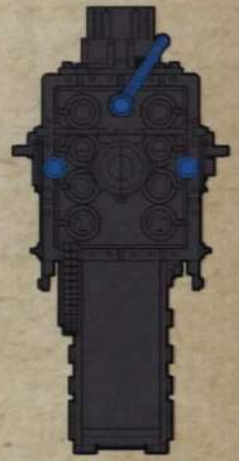
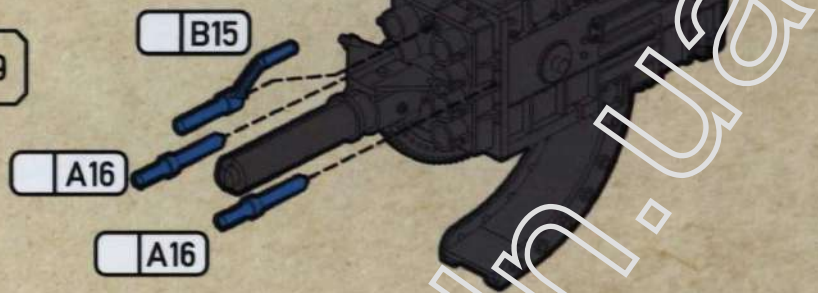
hobby.dn.ua



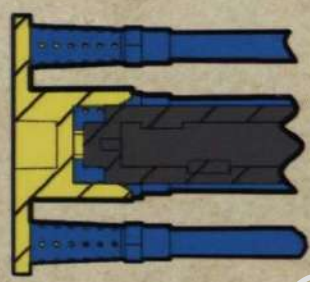
3.8



3.9



3.10



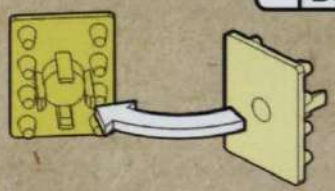
C20

A9 X8



3.11

Remove and discard

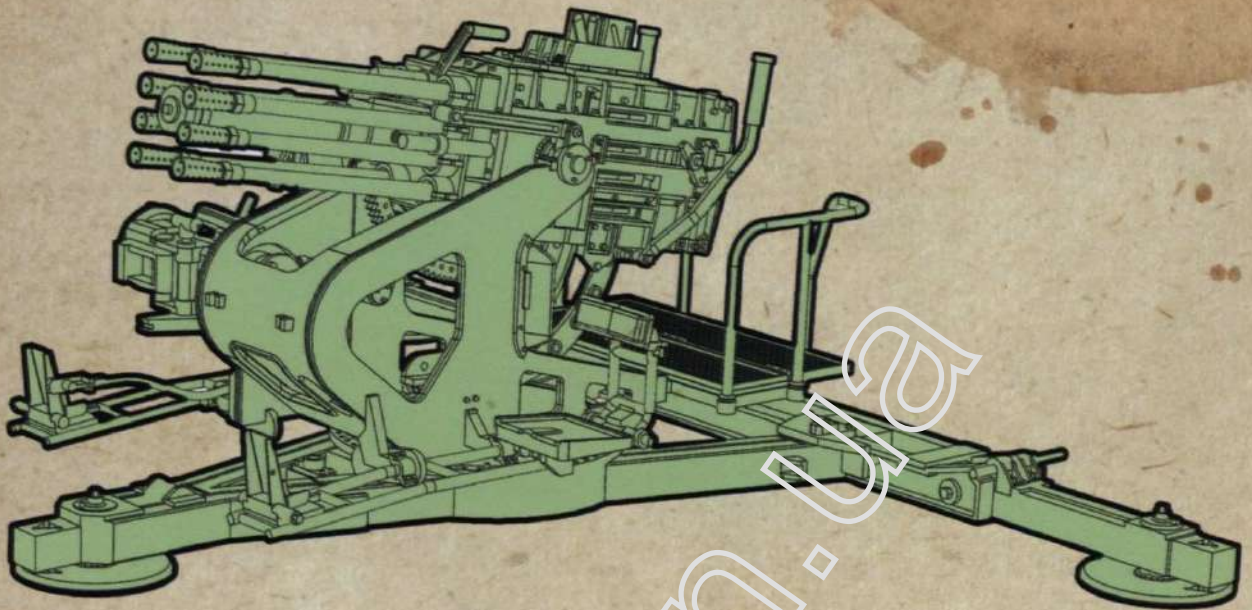


B53

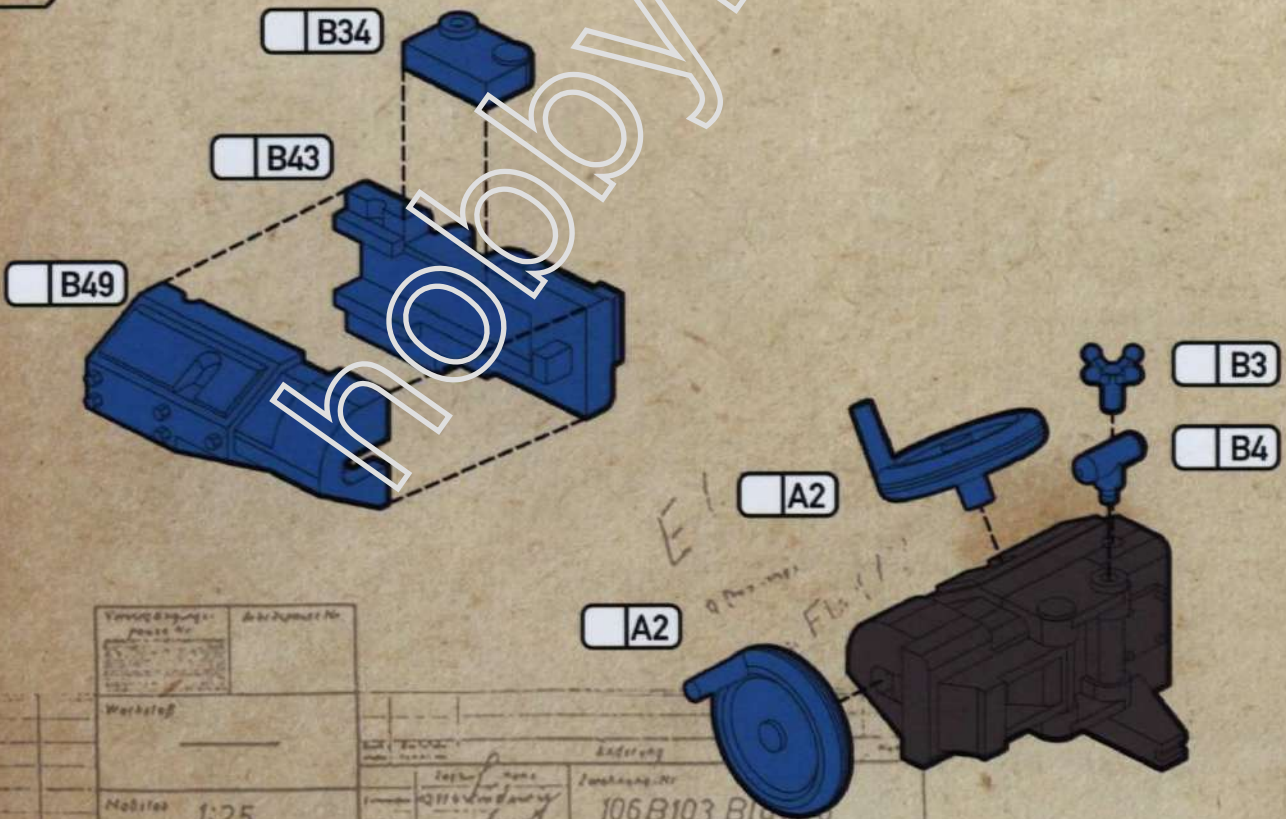




SECTION 4: FINAL ASSEMBLY



4.1

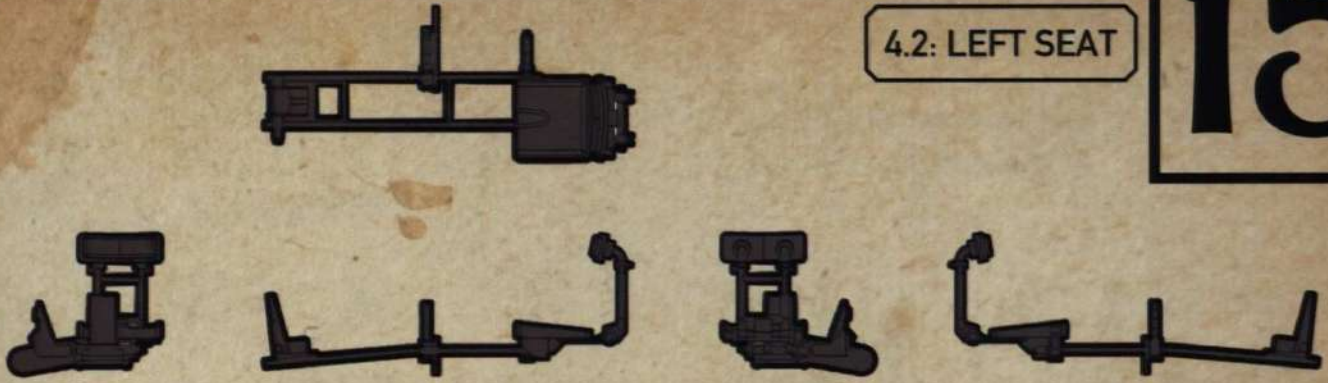


|                                 |  |  |  |
|---------------------------------|--|--|--|
| Verzeichnis-Nr.<br>106B103 B103 |  | Bauzeichnung-Nr.<br>106B103 B103               |  |
| Werkstoff<br>Metall             |  | Änderung<br>106B103 B103                       |  |
| Maßstab<br>1:25                 |  | Zeichnung-Nr.<br>106B103 B103                  |  |
| Zeichner<br>LC                  |  | Besondere Anmerkungen<br>SALVENMASCHINENKANONE |  |

LC



## 4.2: LEFT SEAT



4.2.1

P2

P5



PARTS -B21- and -B20- CAN ALSO BE ATTACHED TO THE CRADLE ASSEMBLY FIRST

B21

B20



4.2.2

B11

C5



4.2.3

4.2.4

B47

B13



4.2.5

B45



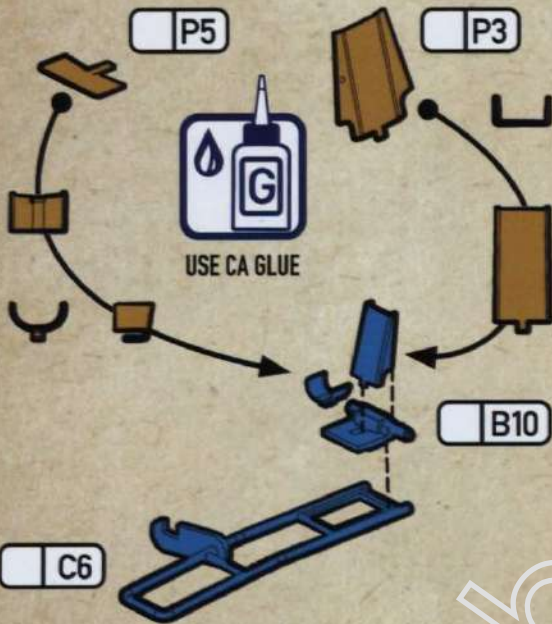
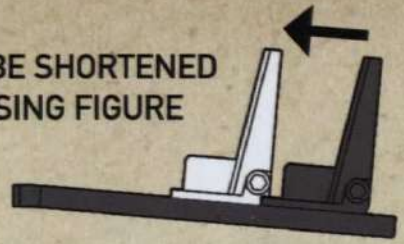
4.2.6





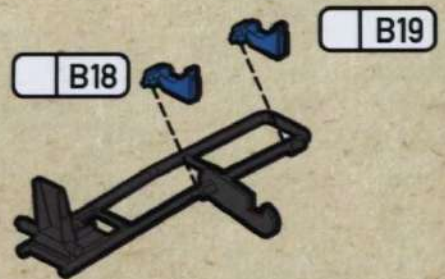
4.3: RIGHT SEAT

\*CAN BE SHORTENED  
IF USING FIGURE



ACHTUNG

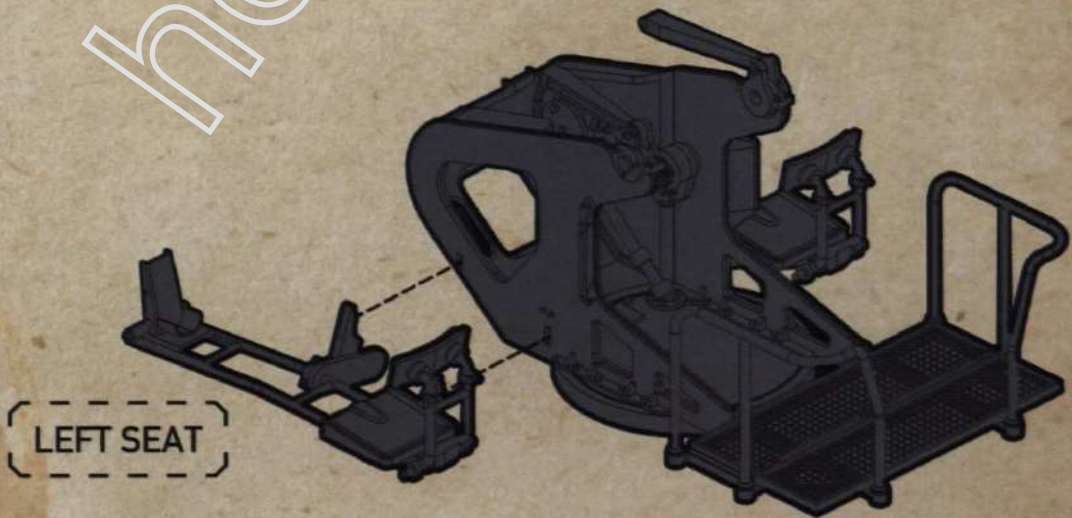
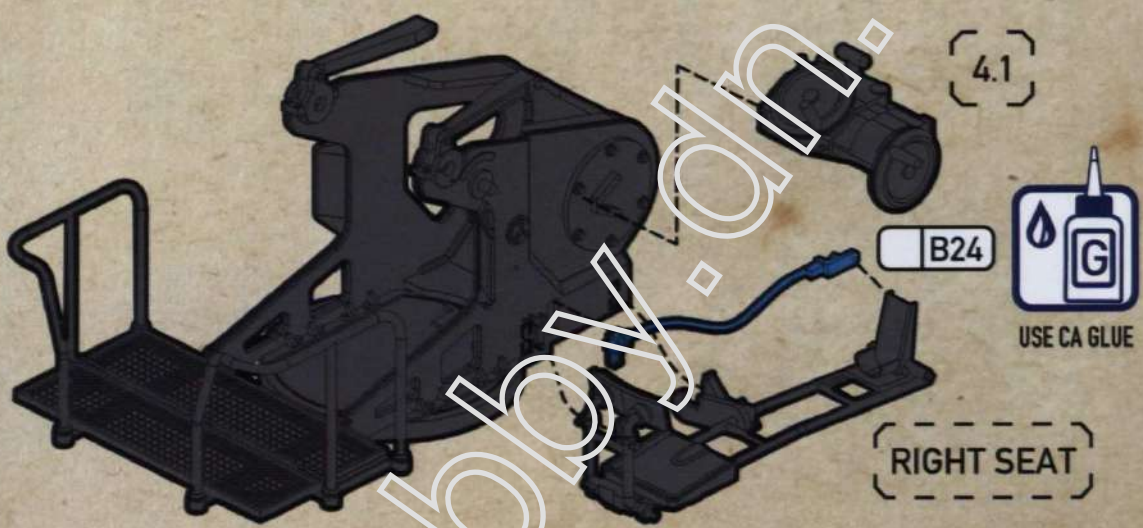
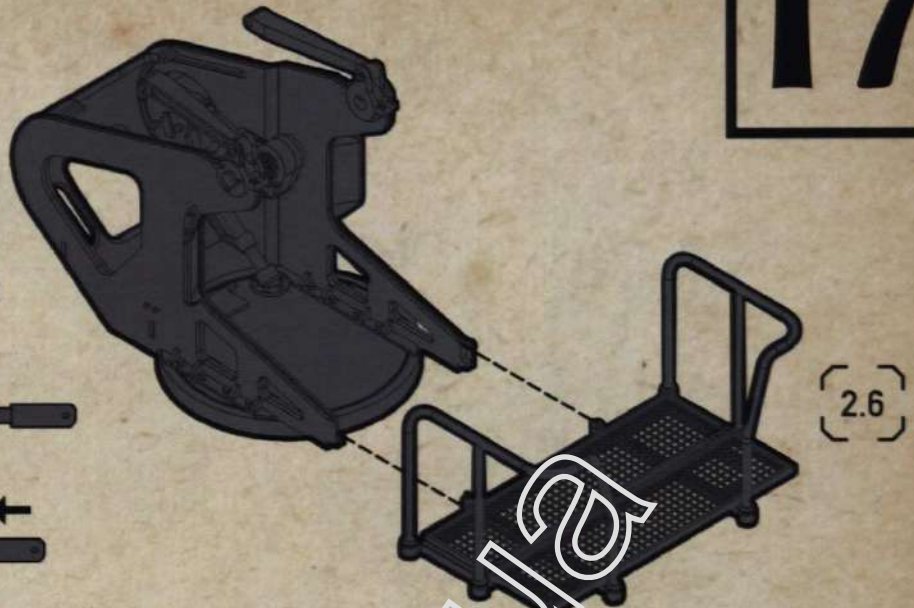
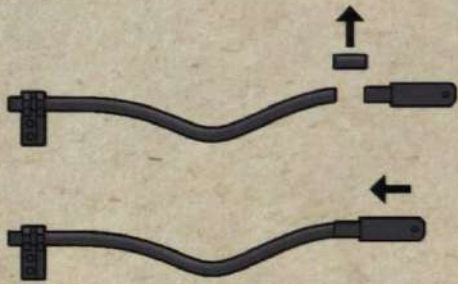
PARTS B18- and -B19- CAN ALSO  
BE ATTACHED TO THE CRADLE  
ASSEMBLY FIRST





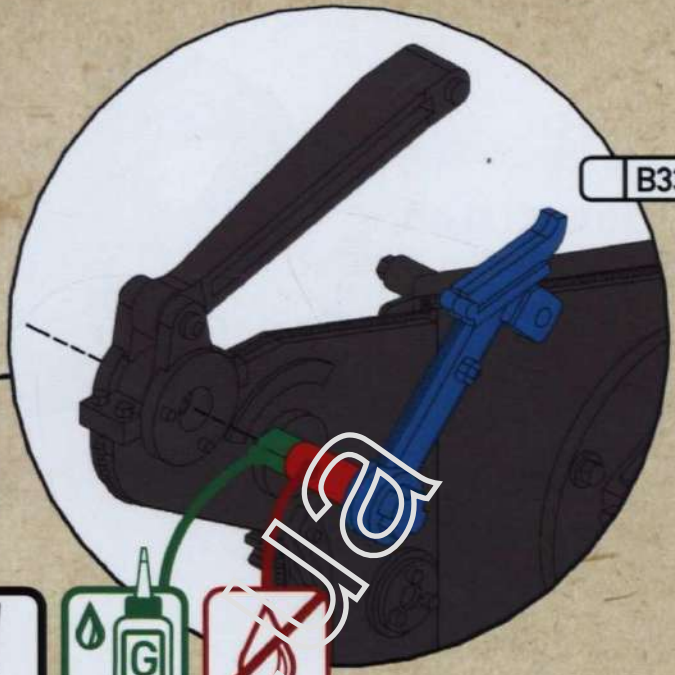
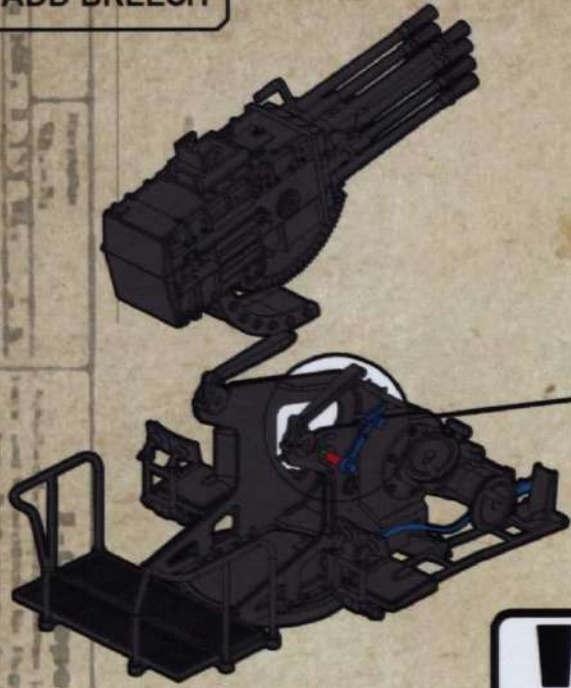
4.4: FINAL ASSEMBLY

ADJUST LENGTH IF  
PEDAL IS MOVED TO REAR





4.5: ADD BREECH



B33



CAUTION

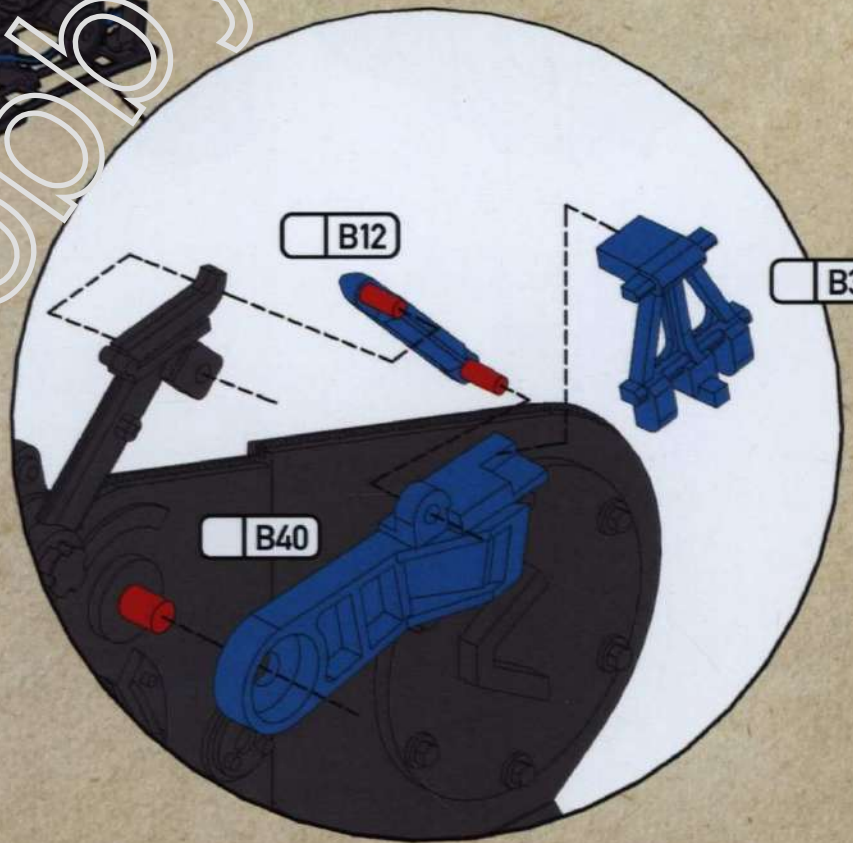


USE LITTLE GLUE



NO GLUE

4.6: ADD SIGHT LINKAGES



B12

B31

B40

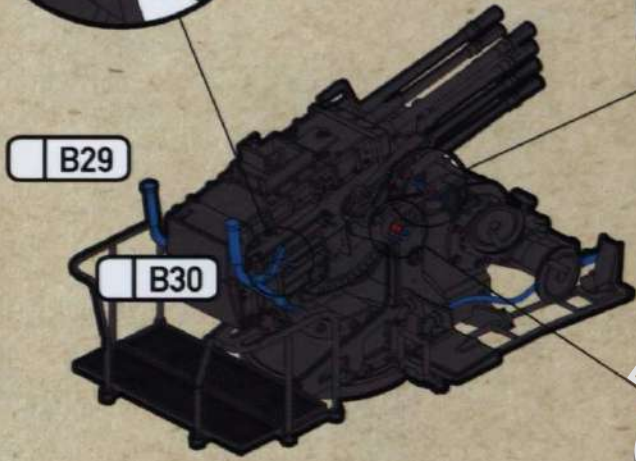
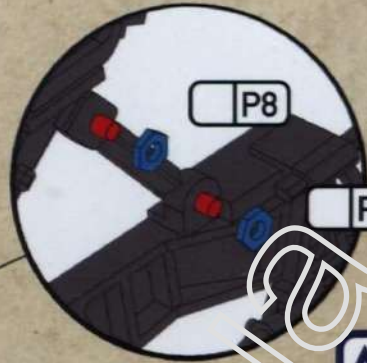
hobby.diy



## 4.7: ADD LINKAGE NUTS



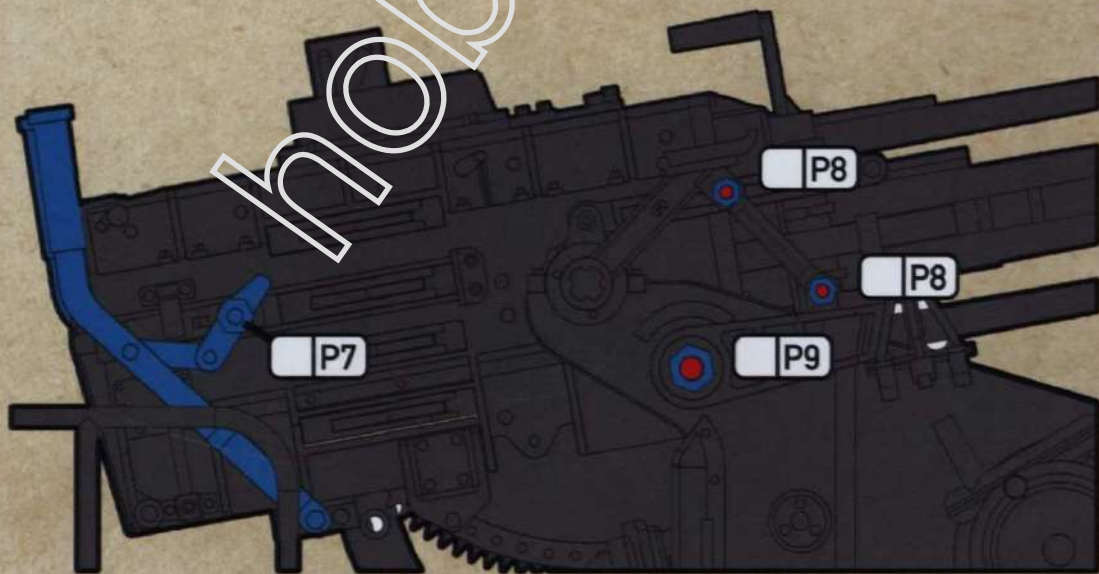
CAUTION



USE CA GLUE



CAUTION

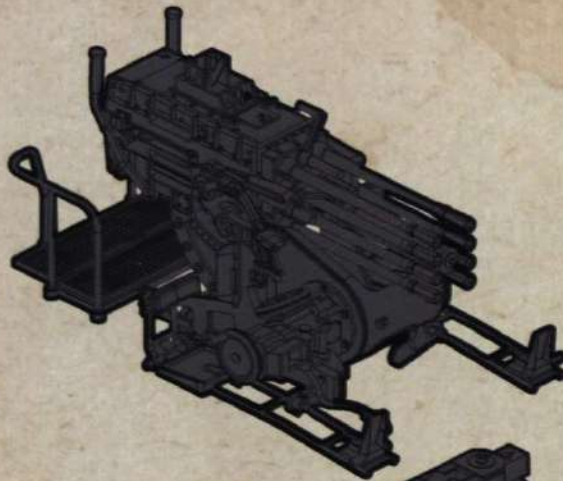




4.8: MATE BASE AND CRADLE



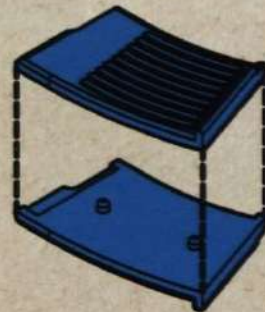
NO GLUE



4.9: MAGAZINES

x8

REPEAT



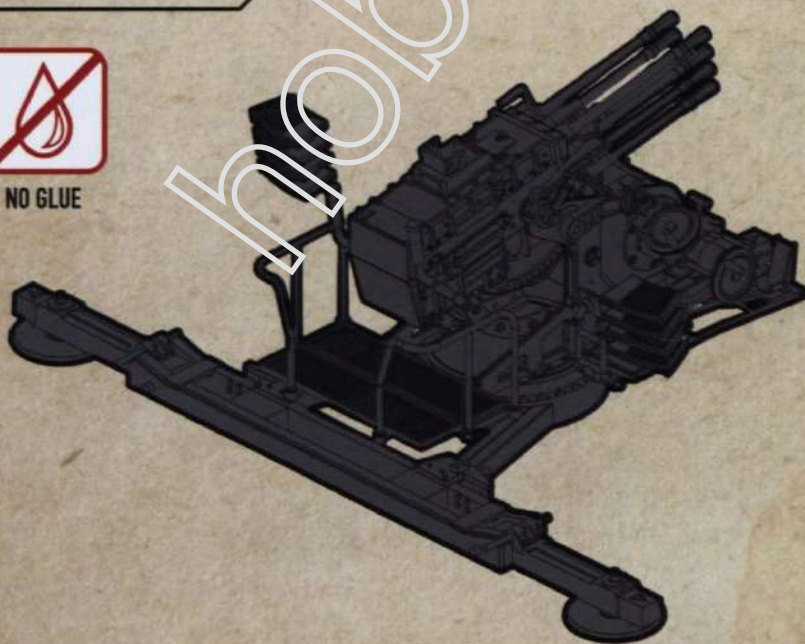
A4

A3

4.10: ADD MAGAZINES



NO GLUE





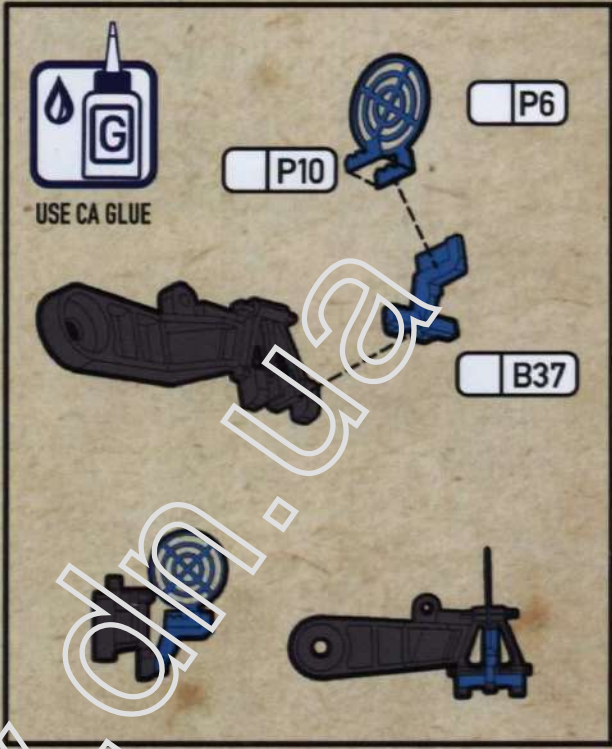
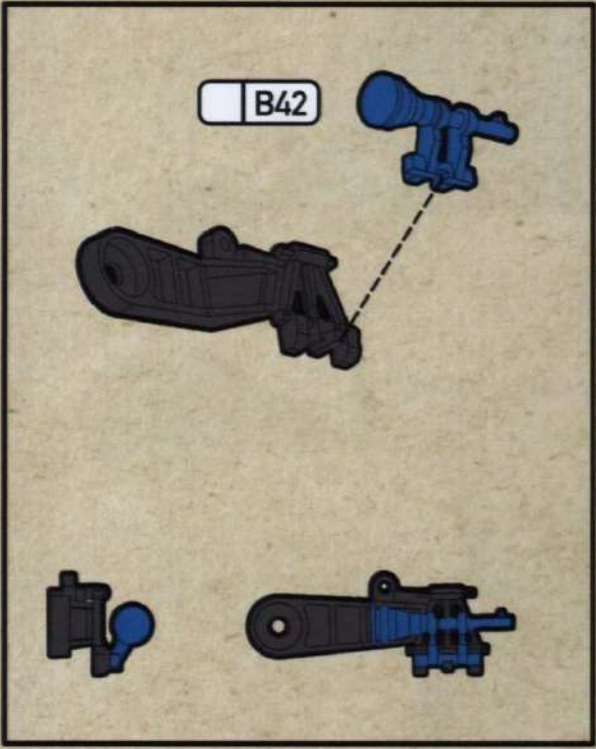
4.11: SIGHTS



OPTICAL SIGHT

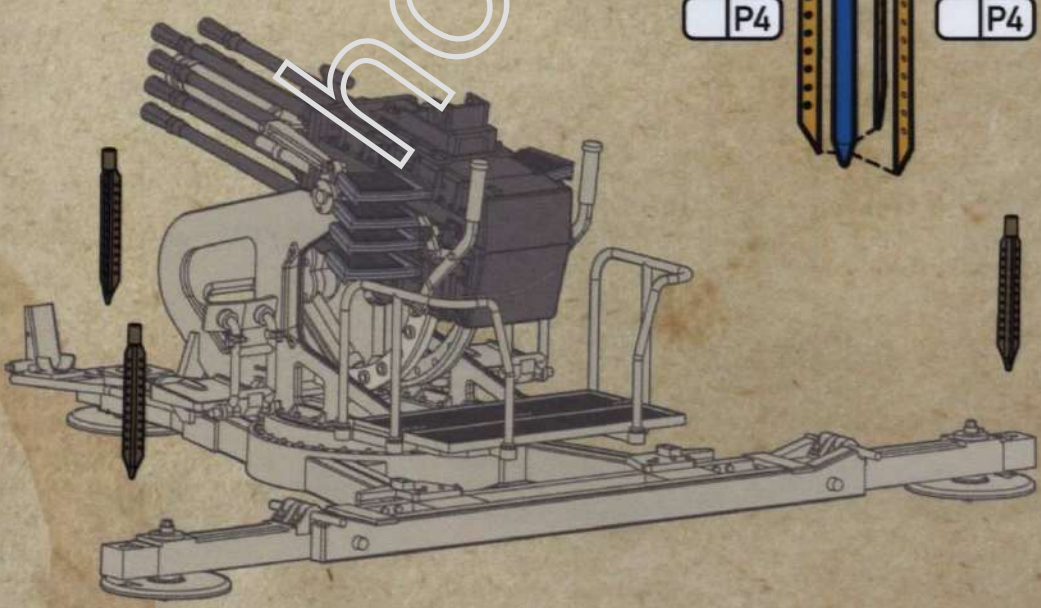
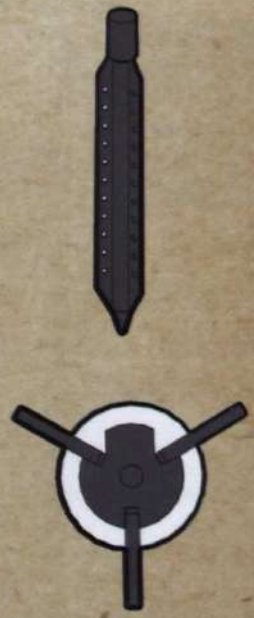
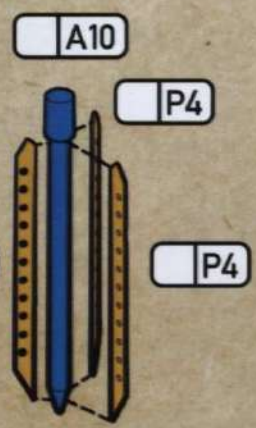
OPTION

IRON SIGHT

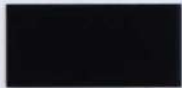
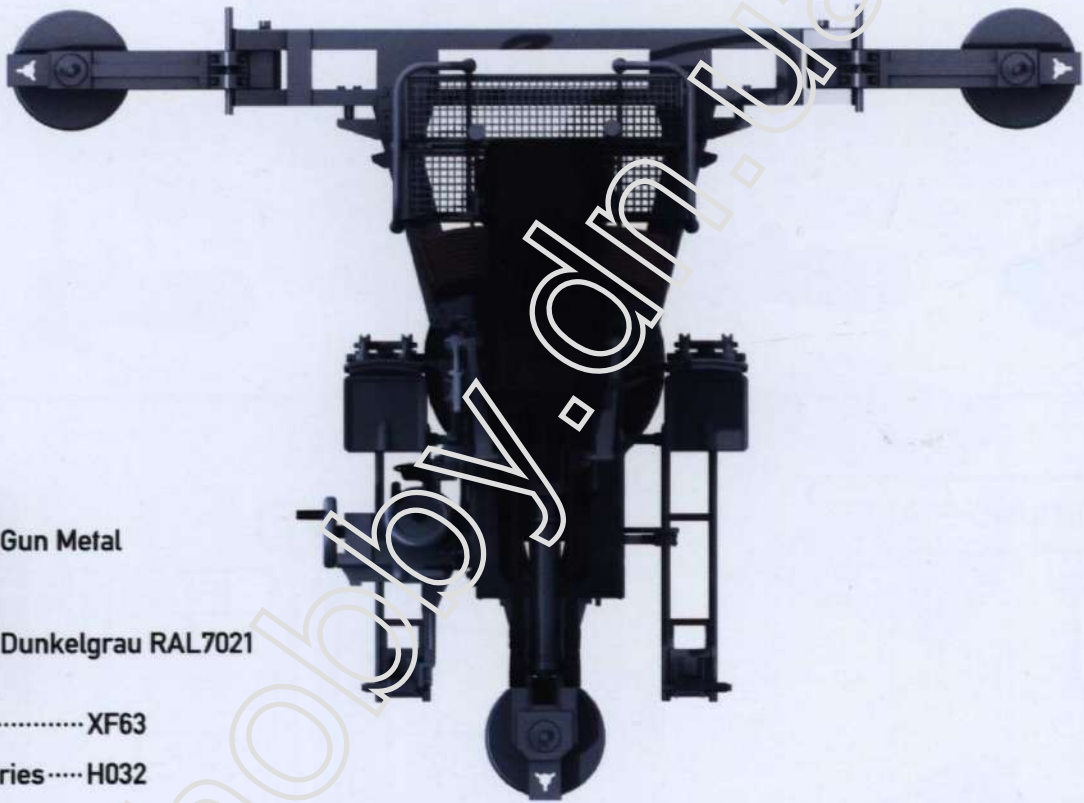
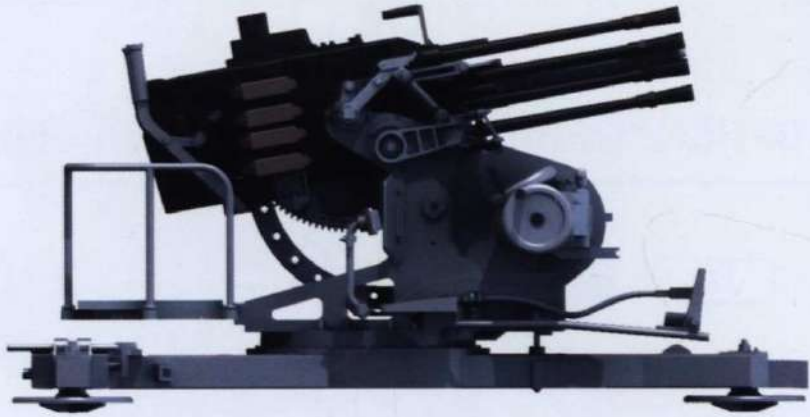


4.12: GROUND STAKES

X3  
REPEAT







Gun Metal



Dunkelgrau RAL7021

TAMIYA.....XF63

Mr Hobby H Series.....H032

AMMO of Mig.....006

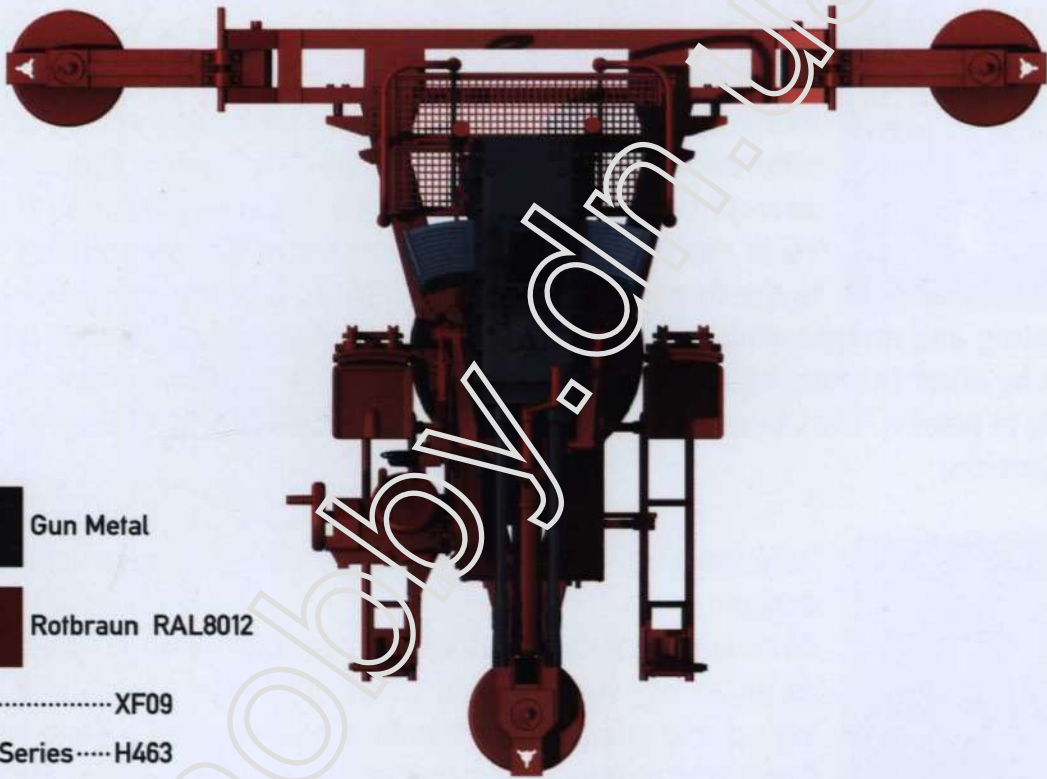
Vallejo.....70.862

Humbrol.....182

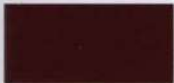
Mission Models.....MMP-014







Gun Metal



Rotbraun RAL8012

TAMIYA.....XF09

Mr Hobby H Series.....H463

AMMO of Mig.....34

Vallejo.....70.605

Humbrol.....073

Mission Models.....MMP-015

