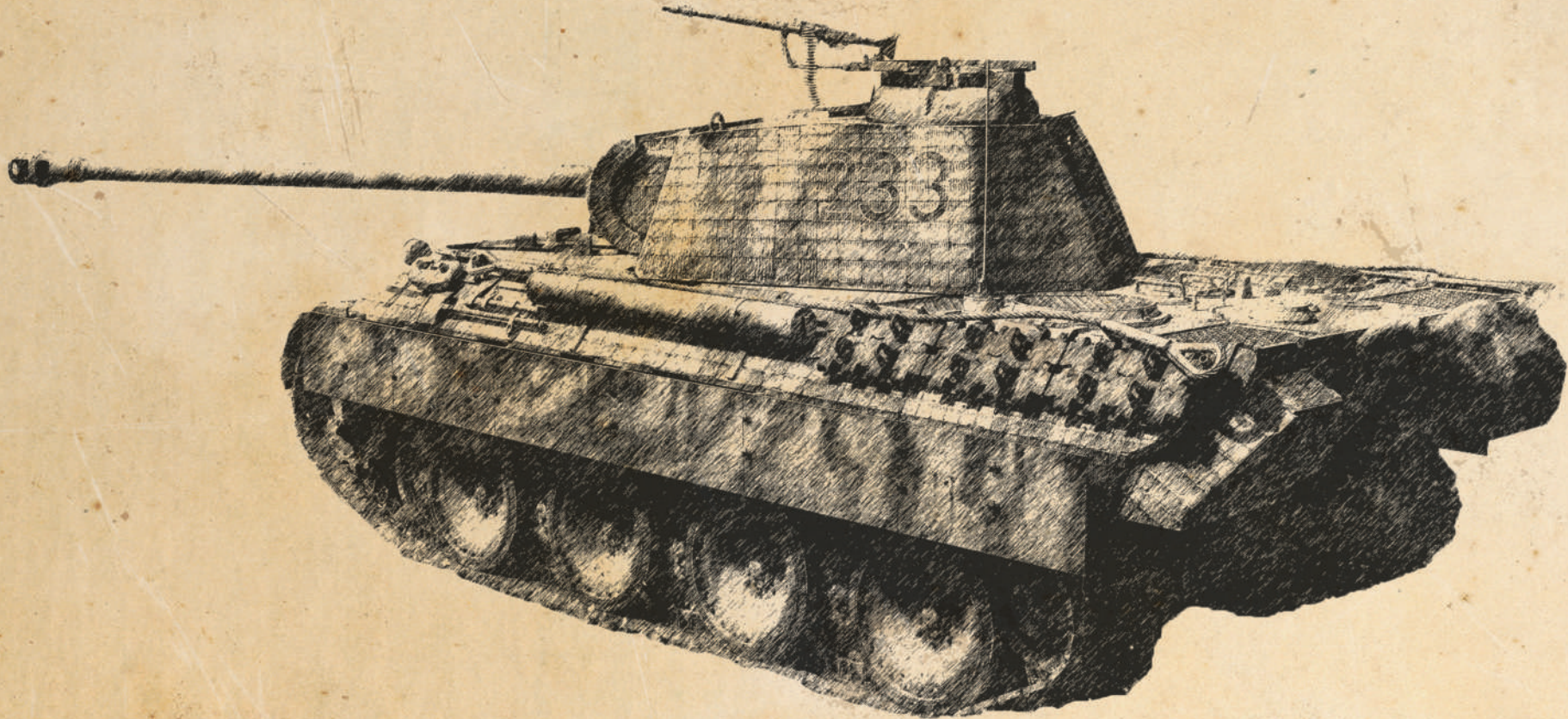


1:35 Scale Model Kit

Panzerkampfwagen V Panther Ausf.A early



In cooperation
with:



Vor dem Zusammenbau lesen!

DW35009

READ BEFORE ASSEMBLY

CAUTION

- Read carefully and fully understand the instructions before commencing assembly. A supervising adult should also read the instructions if a child assembles the model.
- When assembling this kit, tools including knives used. Extra care should be taken to avoid personal injury.
- Keep out of reach of small children. Children must not be allowed to suck any part, or pull vinyl bag over their heads.



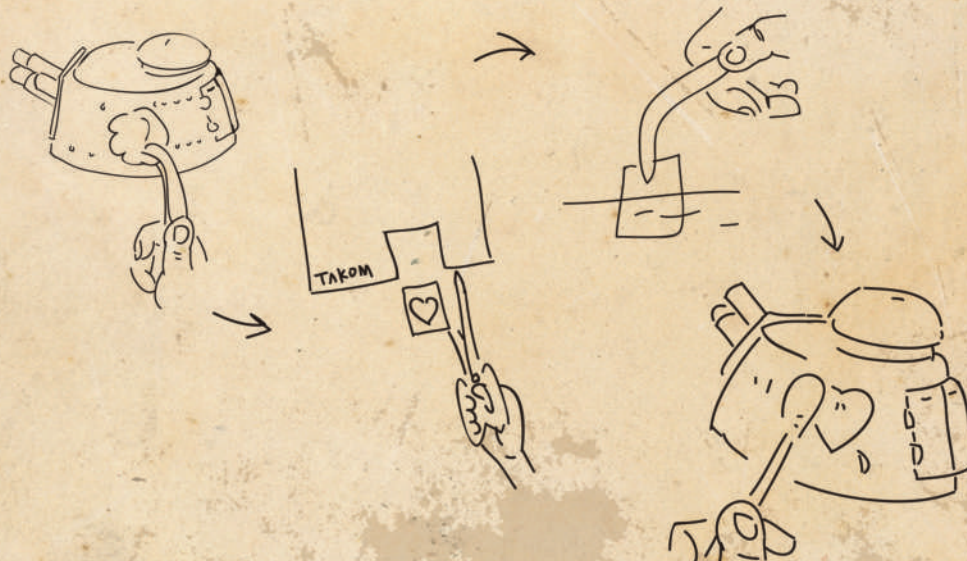
PAINTS REQUIRED

Color info and profiles by Mig Jimenez

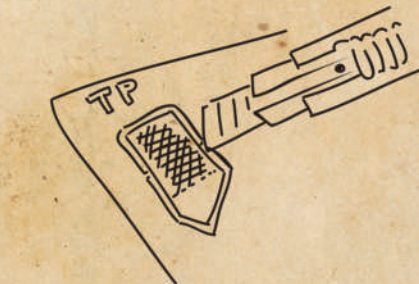
A.MIG 033	Rubber & Tires	A.MIG 035	Dark Tracks	A.MIG 036	Old Wood	A.MIG 038	Old Wood
A.MIG 045	Gun Metal	A.MIG 040	Medium Rust	A.MIG 093	Crystal Red	A.MIG 002	Olivgrun Opt.2
A.MIG 010	Dunkelgelb Mid war	A.MIG 046	Cremeweiss	A.MIG 024	Washable White Camo	A.MIG 017	Matt Black
A.MIG 192	Polished Metal	A.MIG 032	Satin Black	A.MIG 014	Rotbraun	A.MIG 042	Old Rust
A.MIG 008	Dunkelgrau	A.MIG 101	Dunkelgelb	A.MIG 190	Old Brass	A.MIG 015	Schokobraun
A.MIG 194	Matt Aluminum	A.MIG 218	Schwarzgrau	A.MIG 096	Crystal Periscope Green		

APPLYING DECALS

1. Clean the model surface with a wet cloth.
2. Cut out each decal design from sheet, and dip it in tepid water for 15~20 sec.
3. Hold the backing sheet edge and slide decal onto the model.
4. Move decal into position by wetting decal with finger.
5. Press decal gently down with a soft cloth until excess water and air bubbles are gone.



REMOVING PE



Be careful not to hurt when removing PE parts.

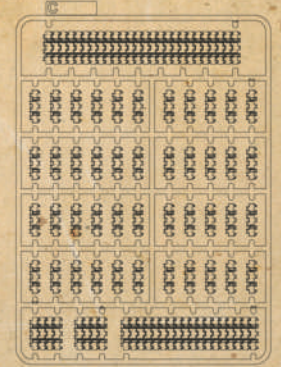
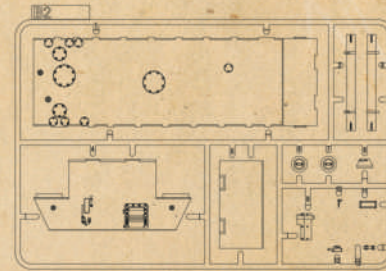
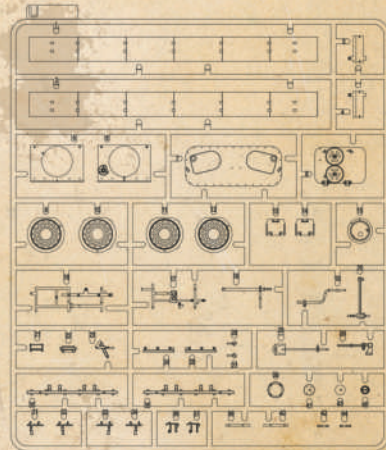
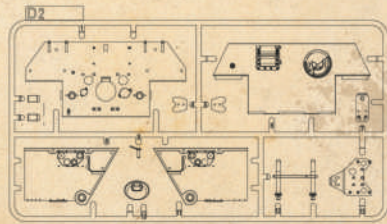
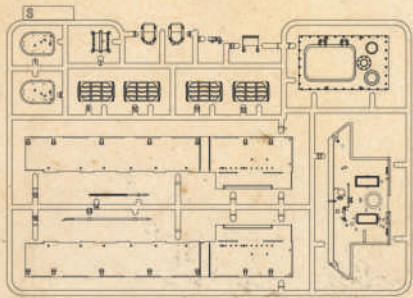


Secure using instant glue (not included).

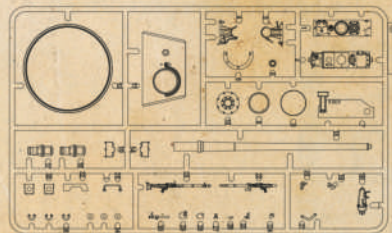
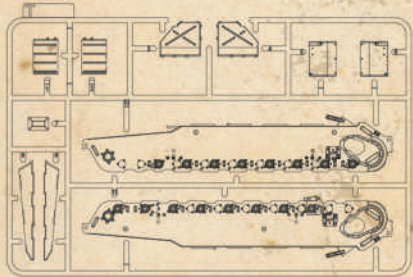


Finish using file.

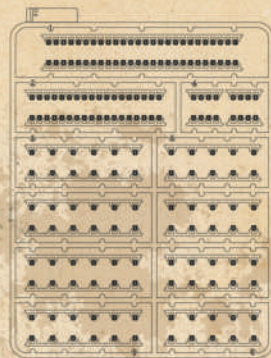
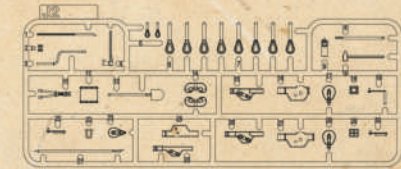
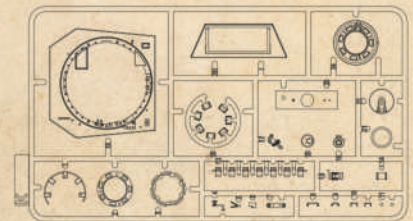
PARTS



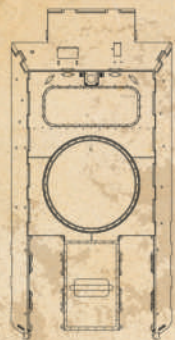
X2



X2



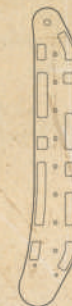
X2



Upper Hull



Z1



Z2

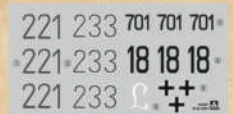


Turret



TP

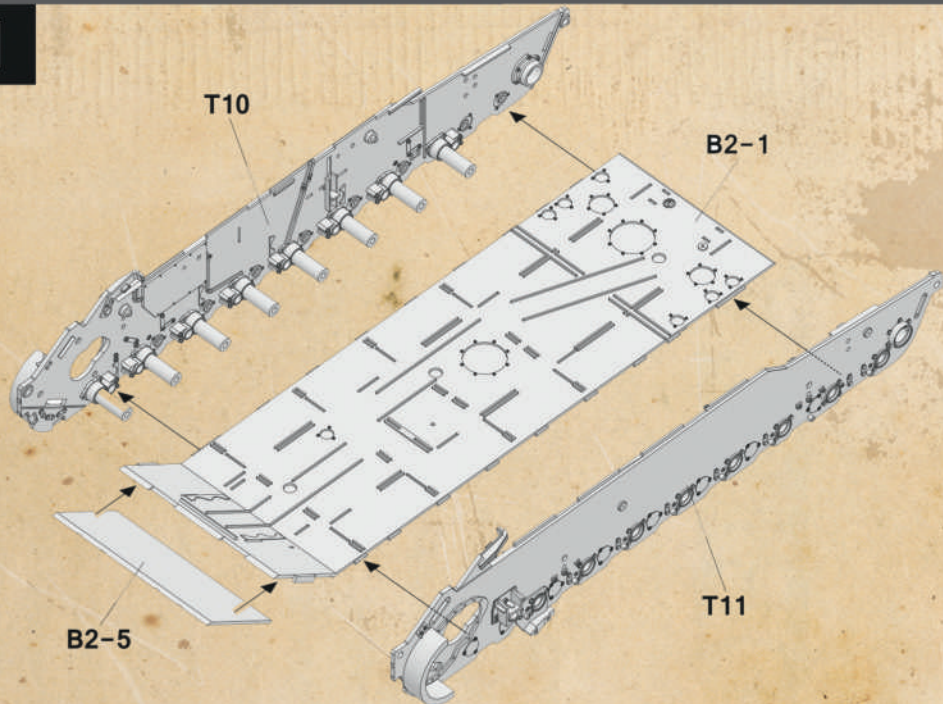
Cable



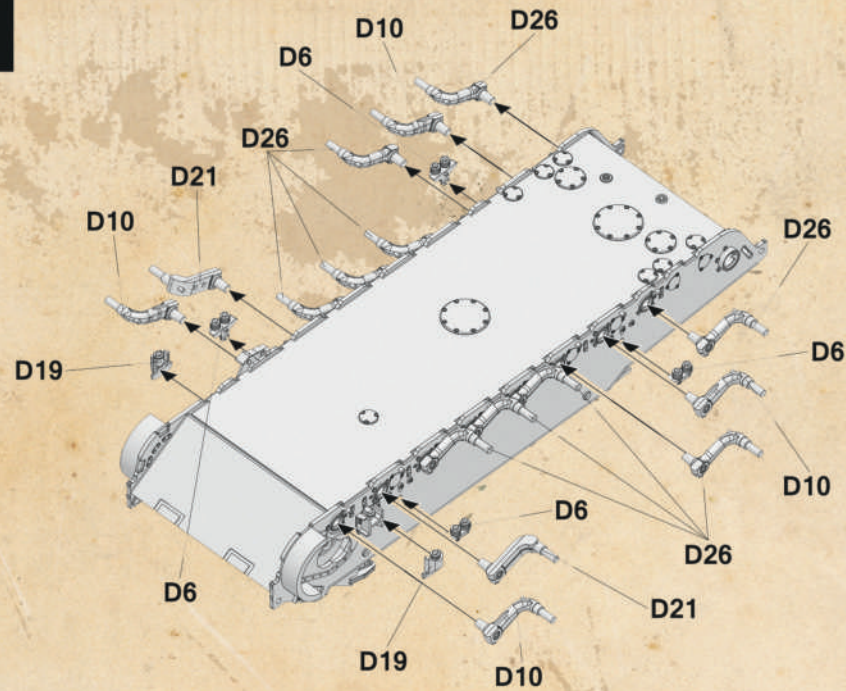
Decal

X2

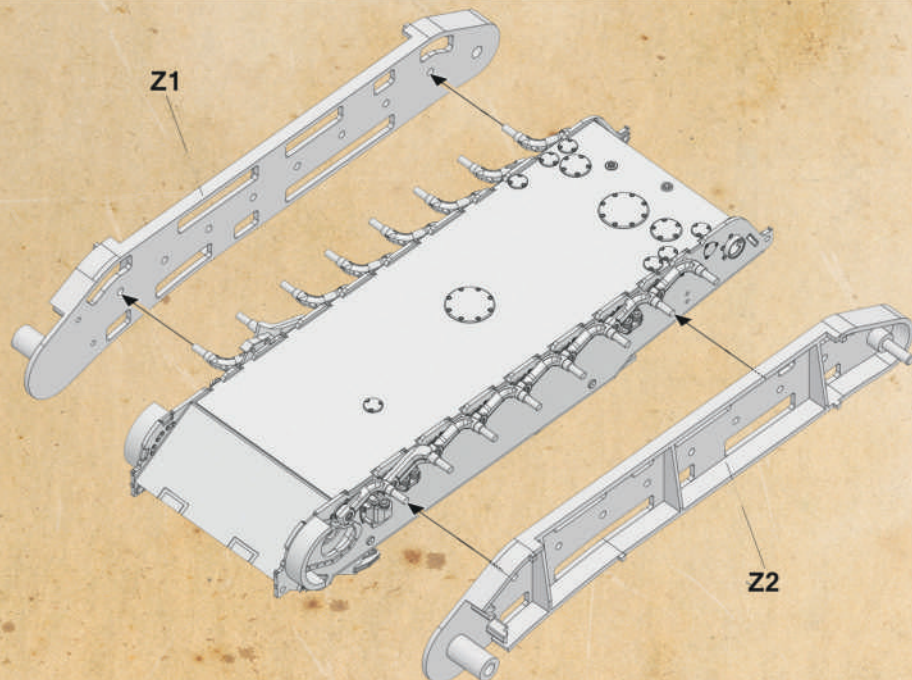
1



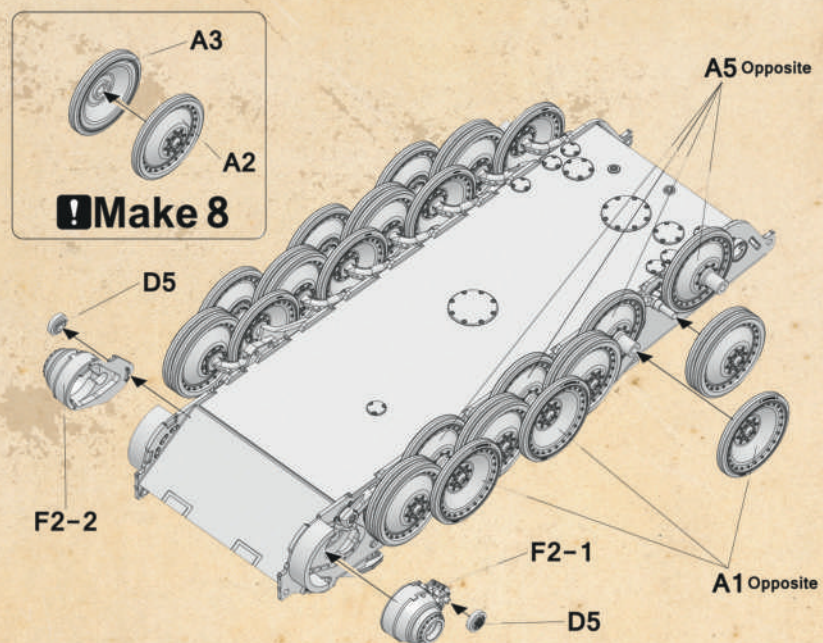
2



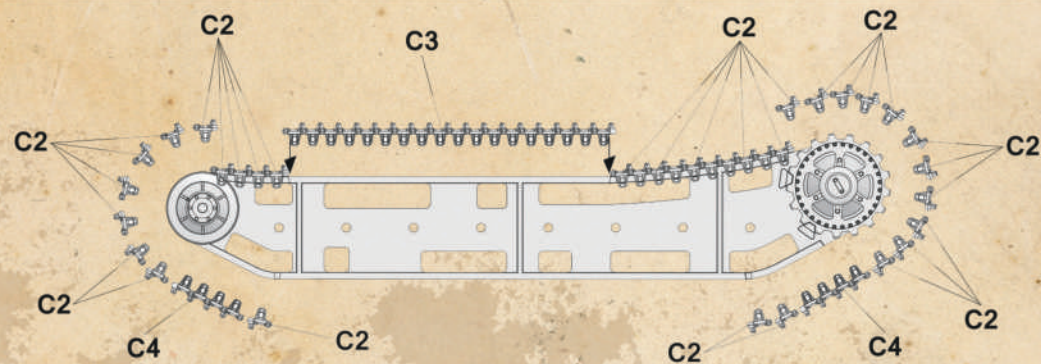
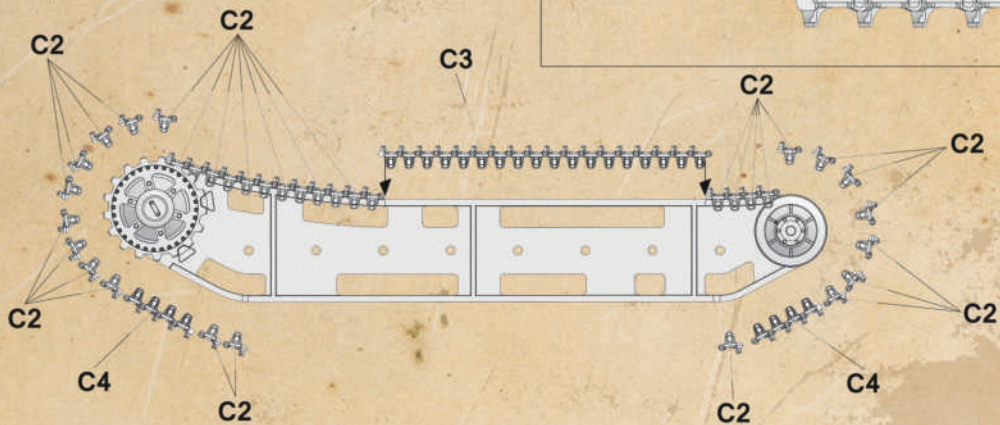
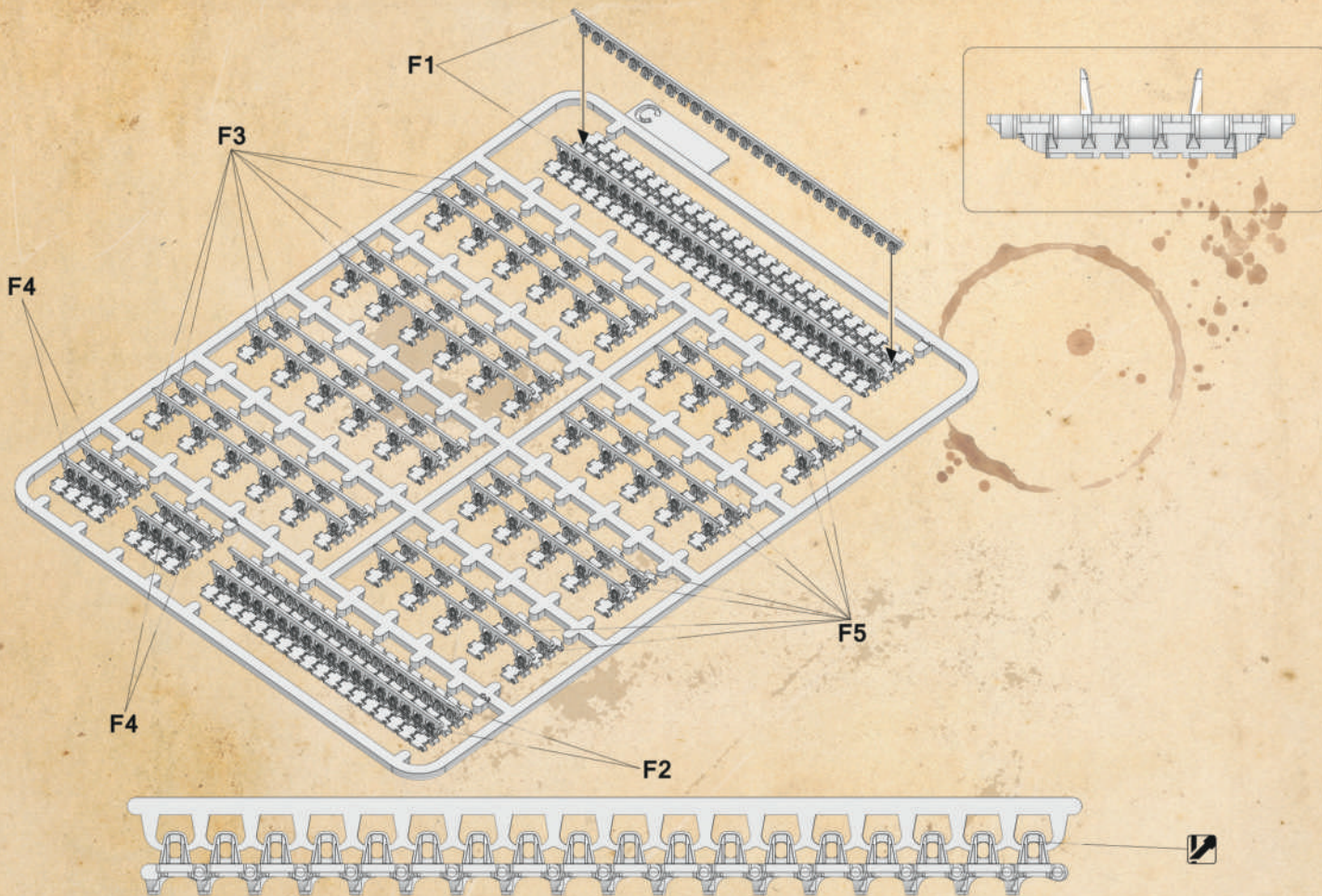
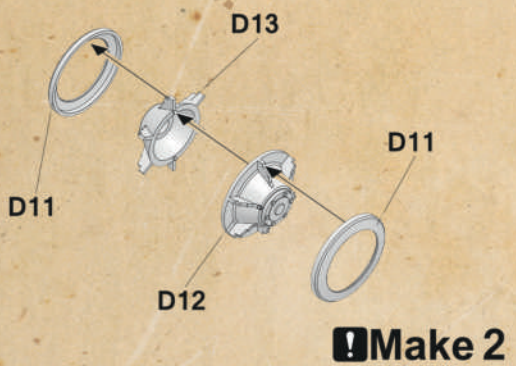
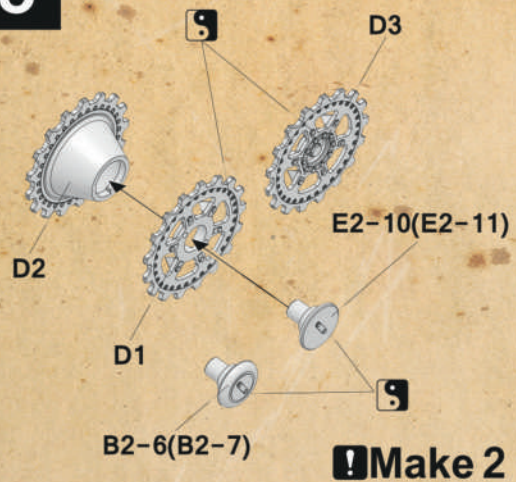
3



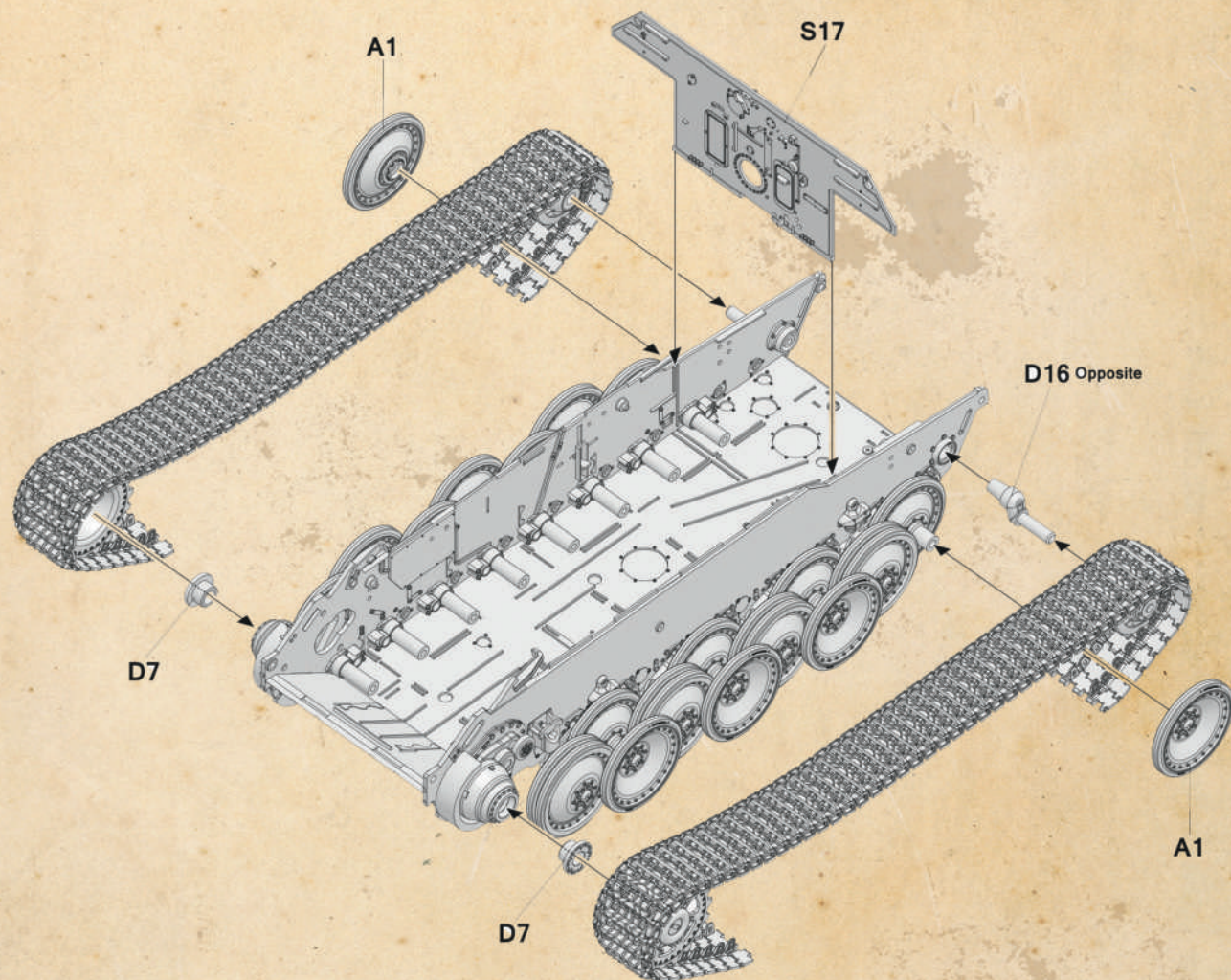
4



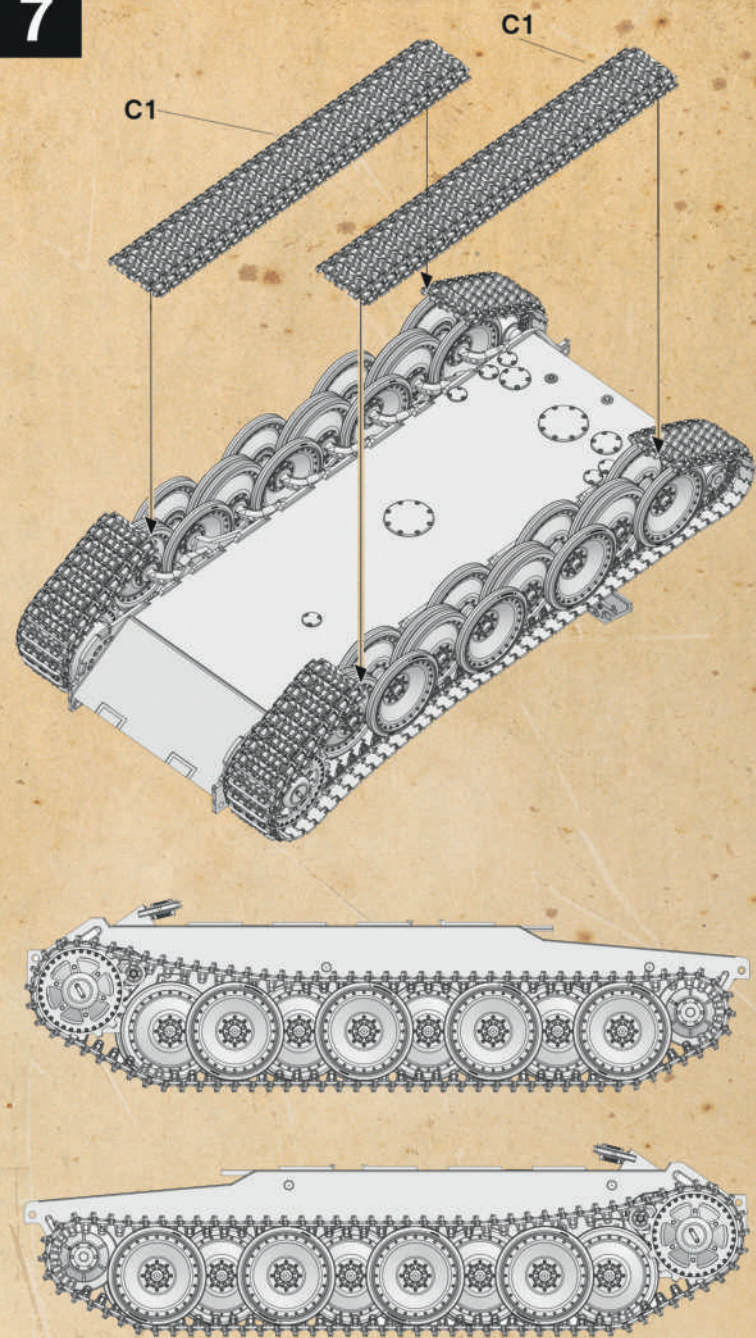
5



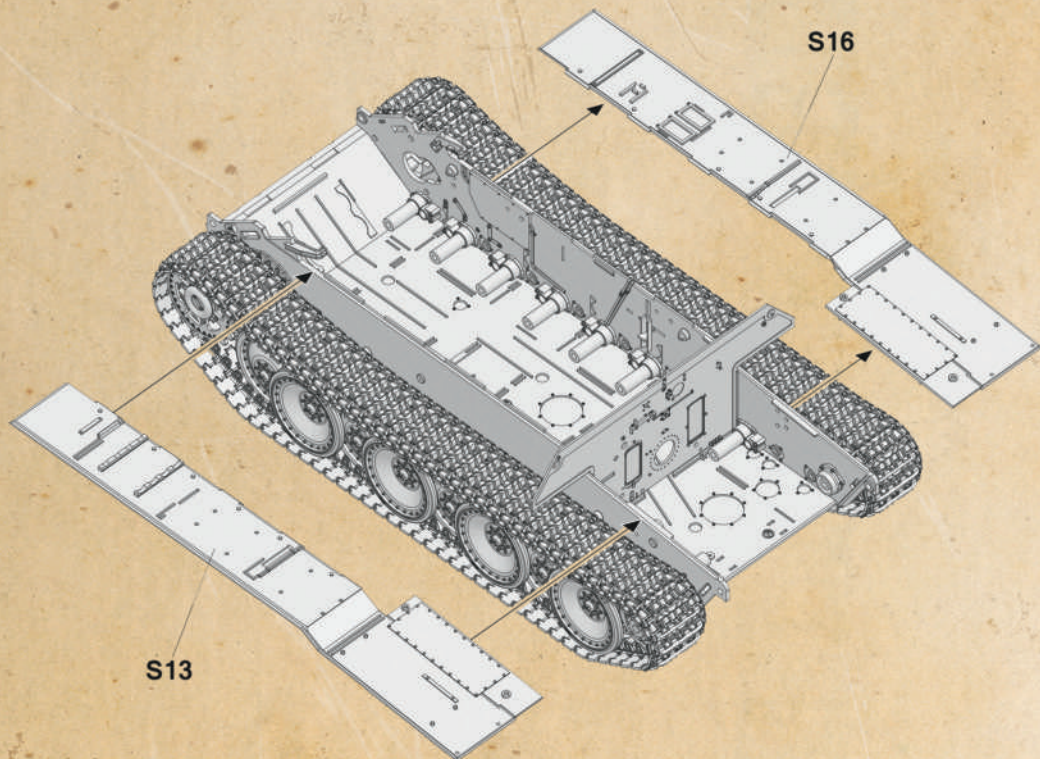
6



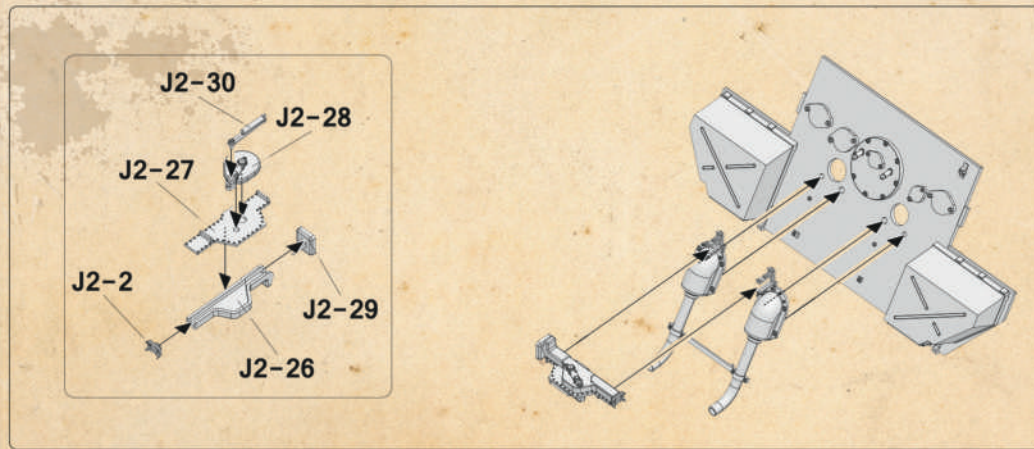
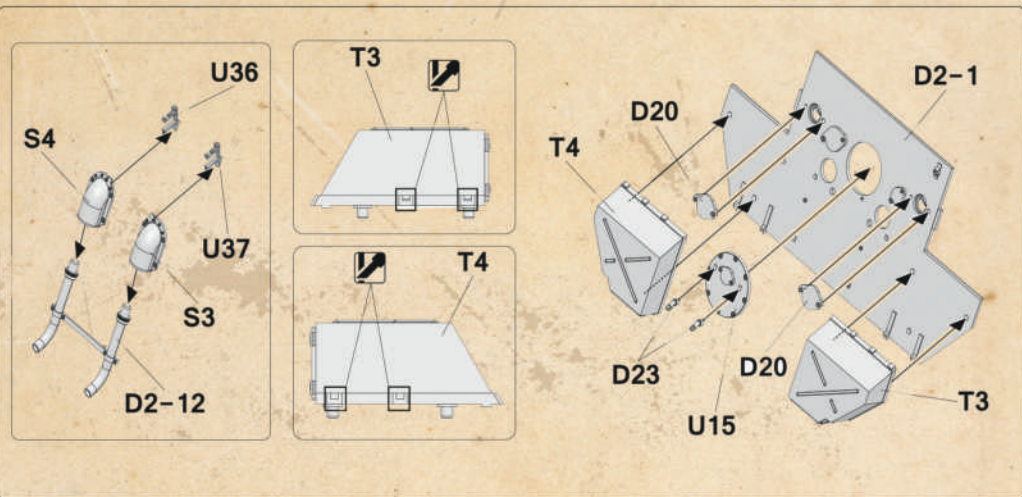
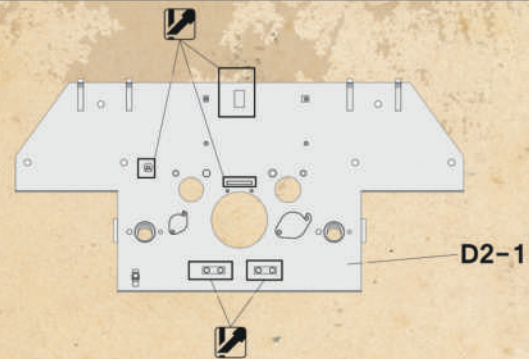
7



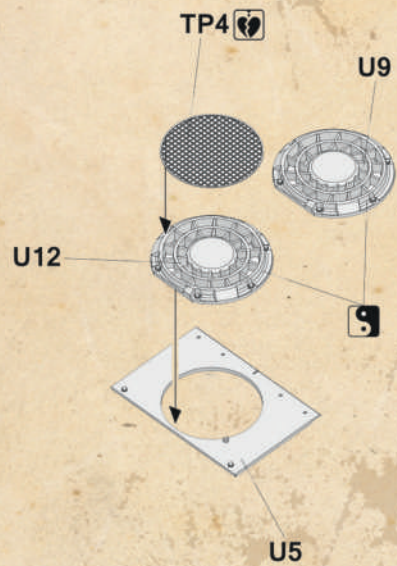
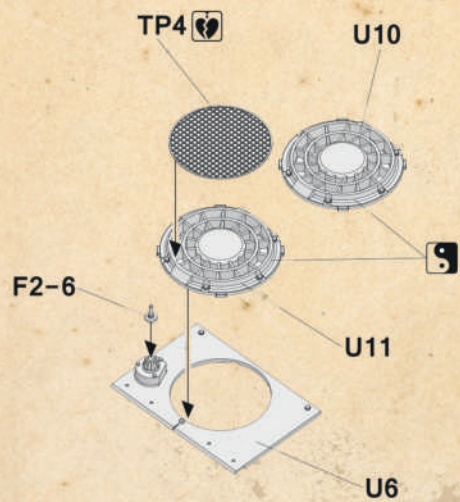
8



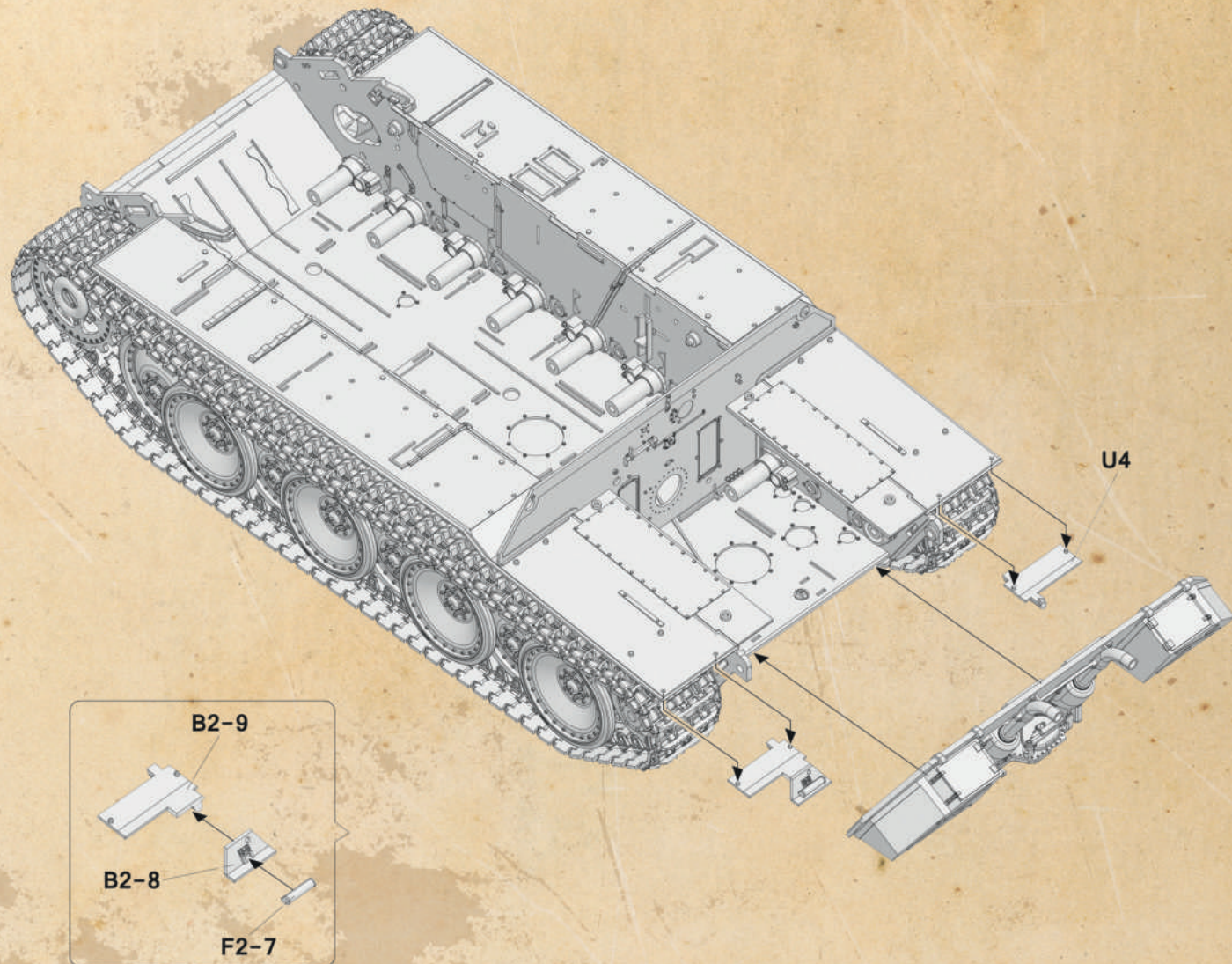
9

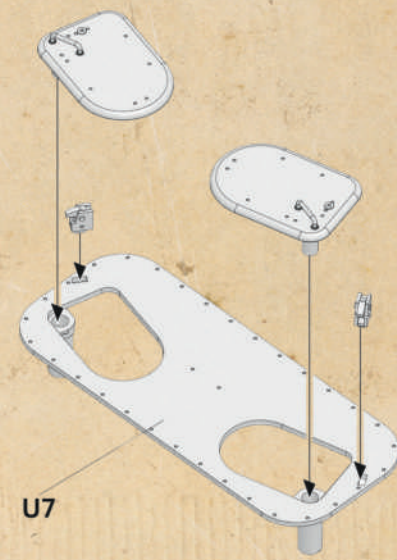
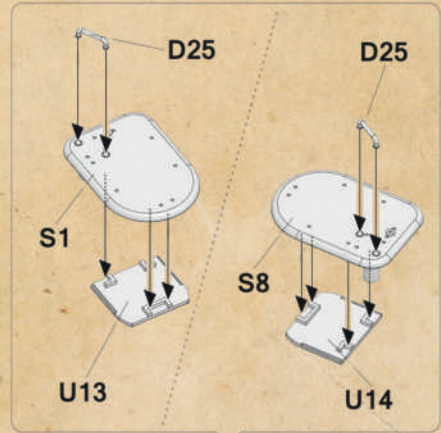
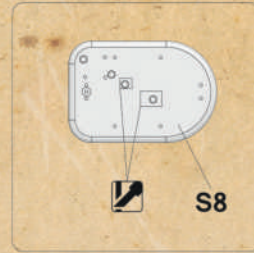
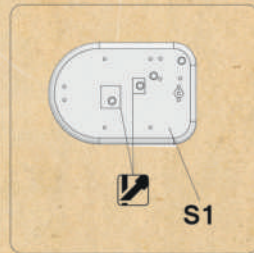
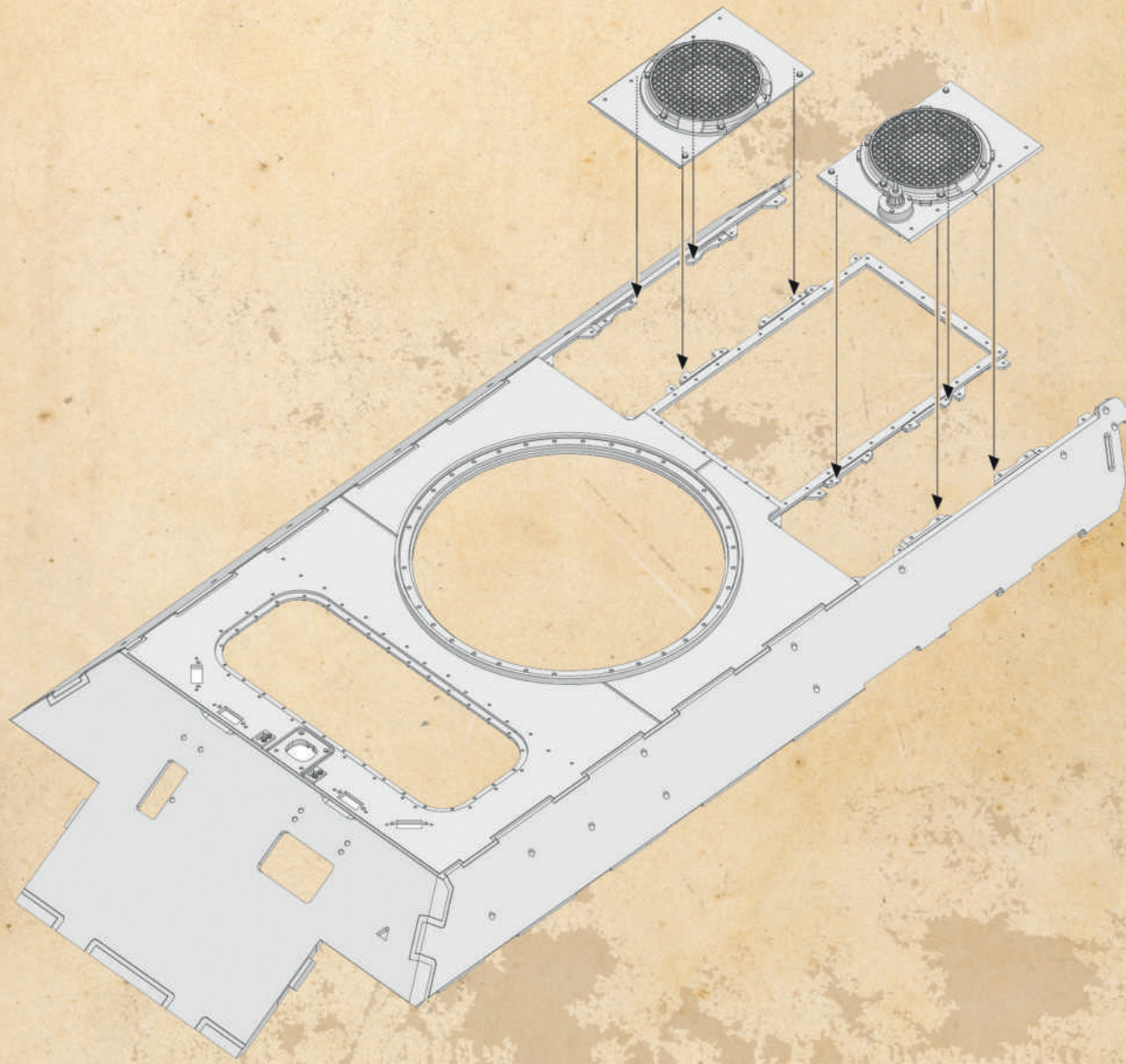


10

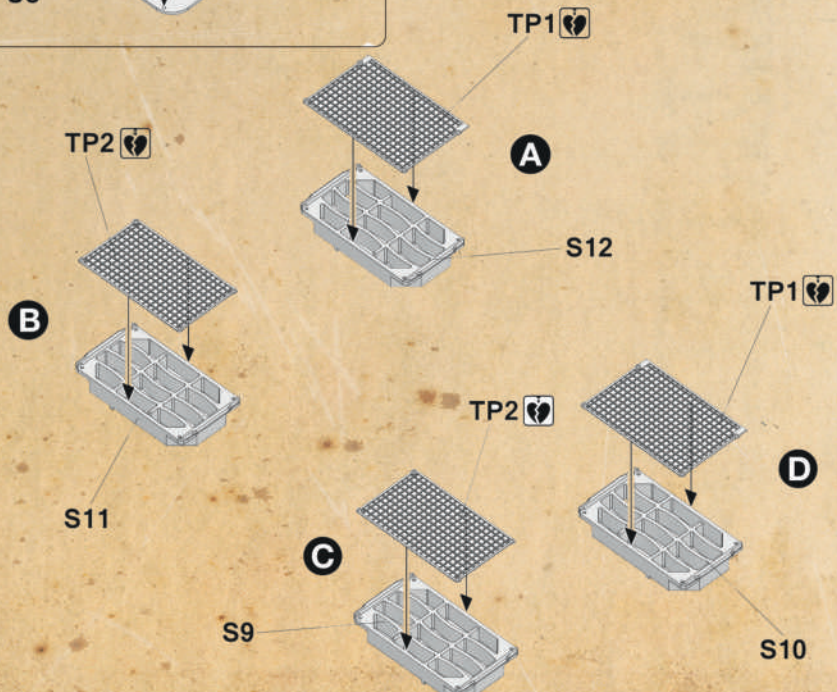
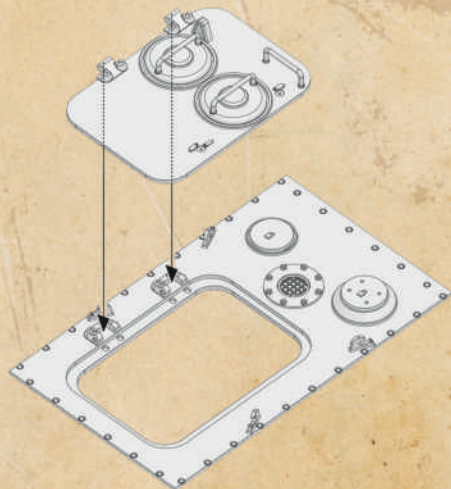
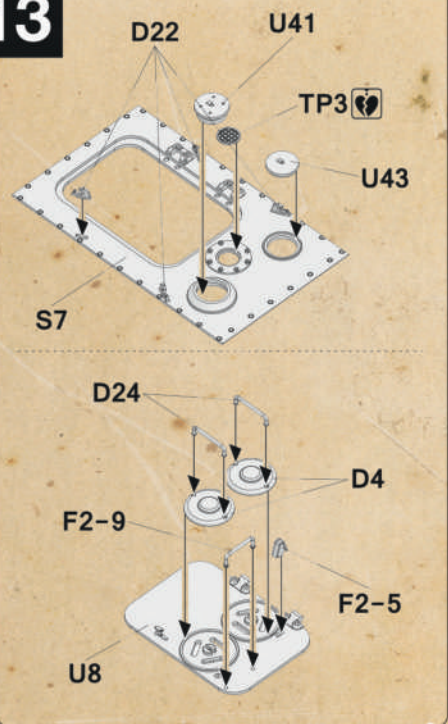


11

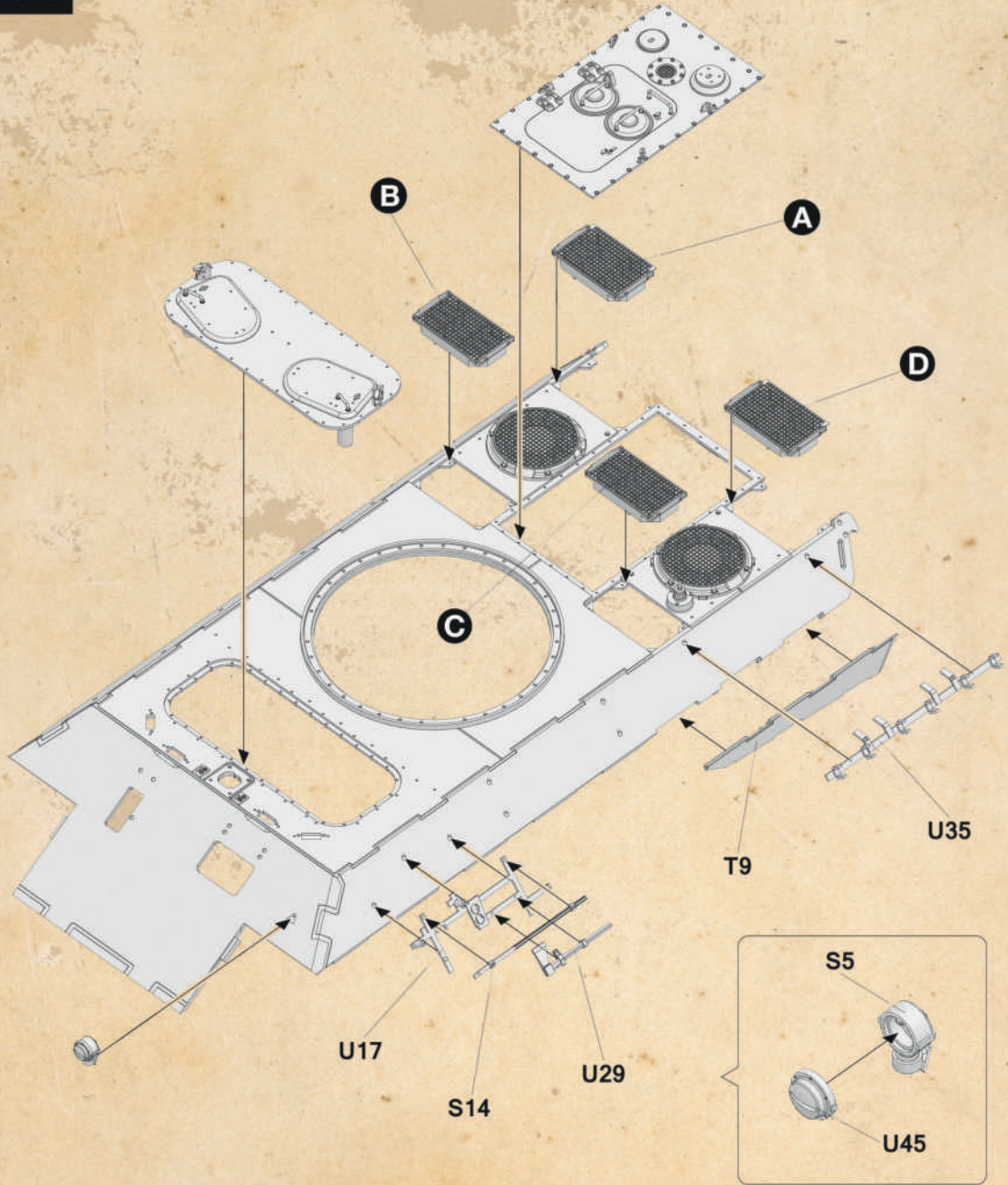




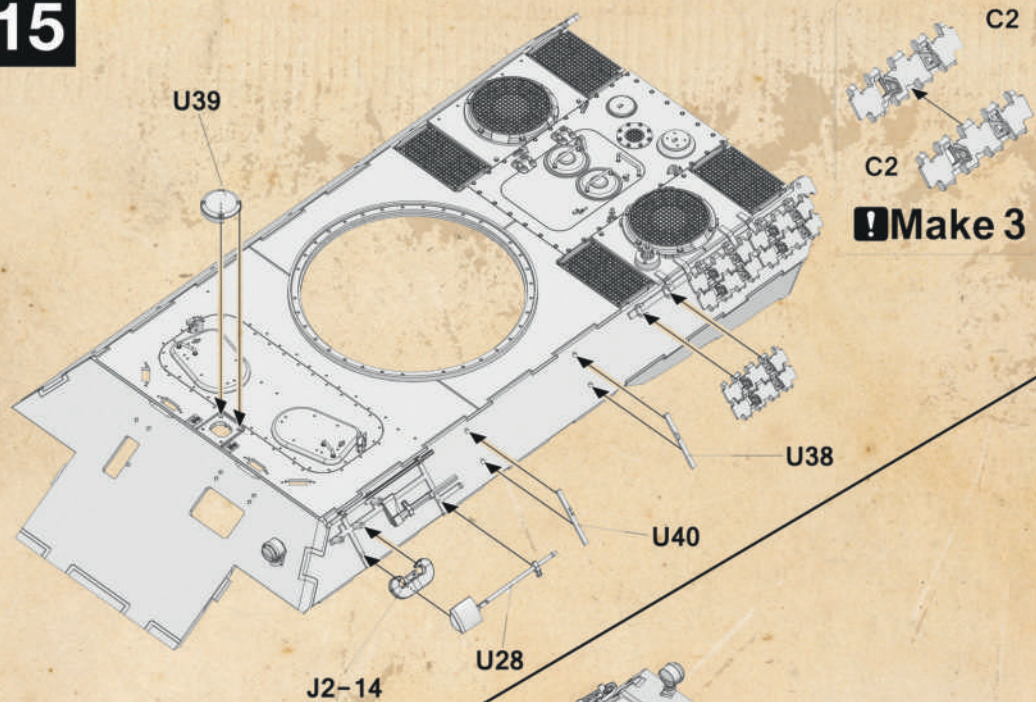
13



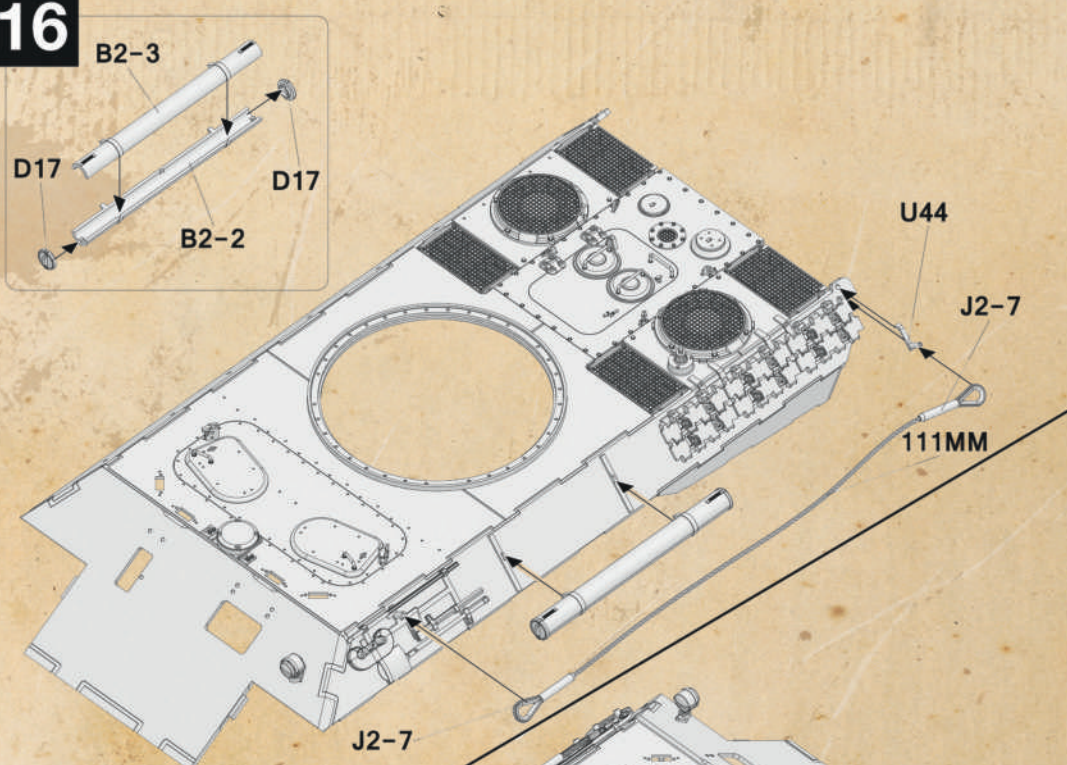
14



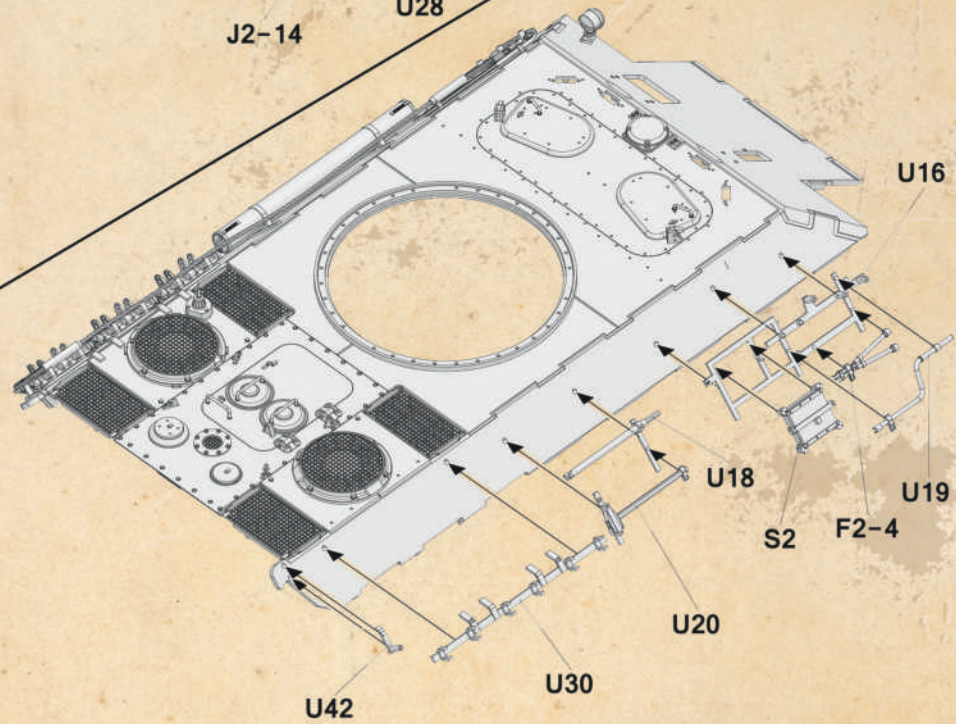
15



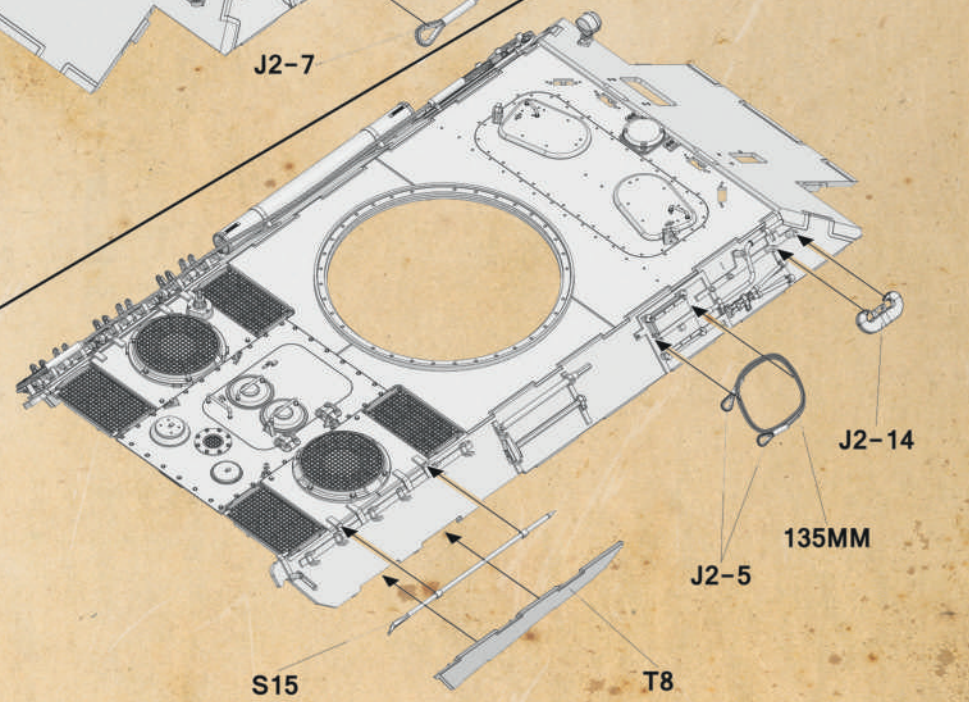
16



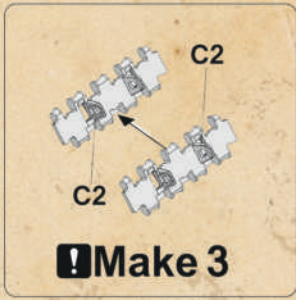
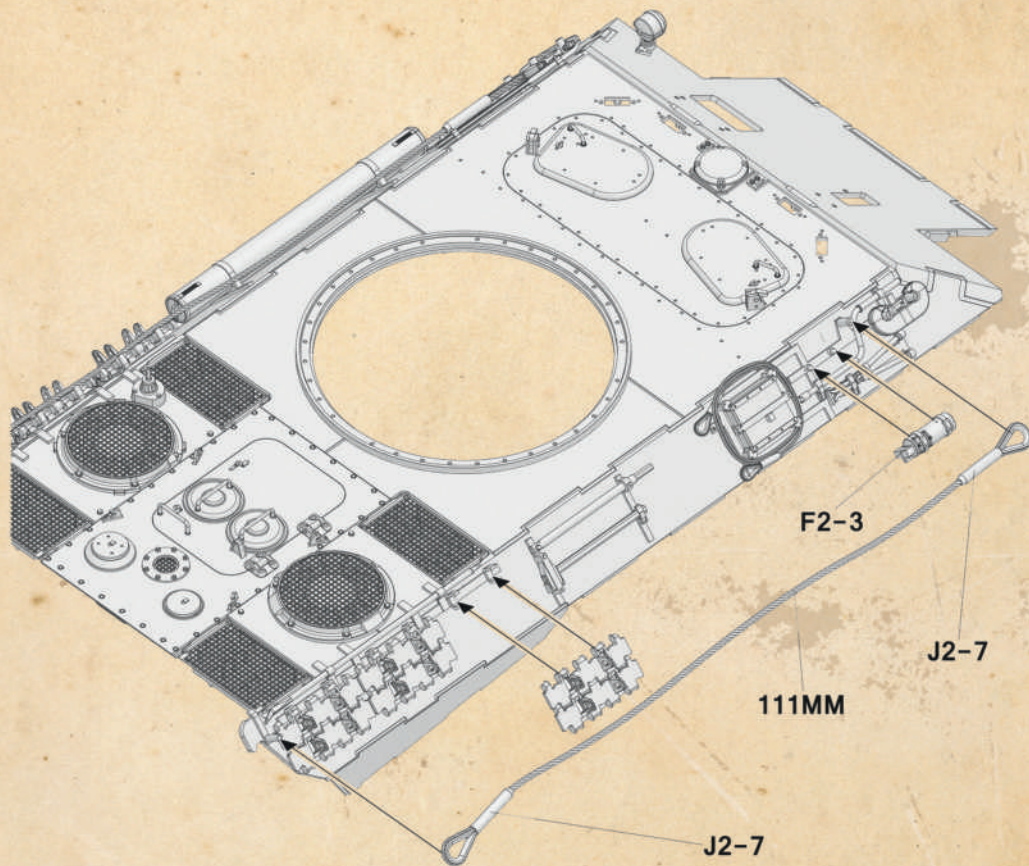
17



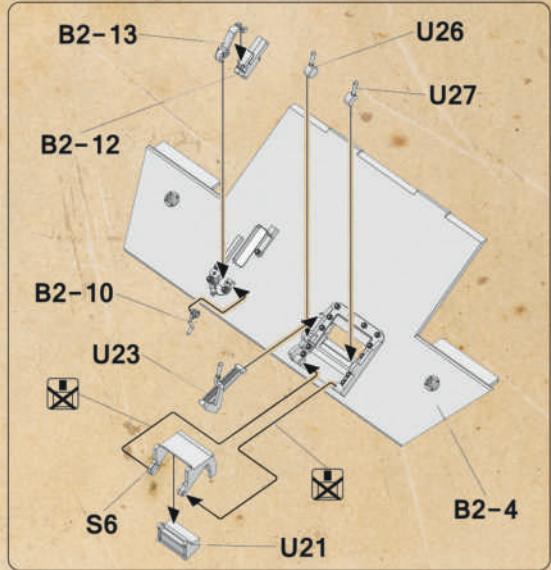
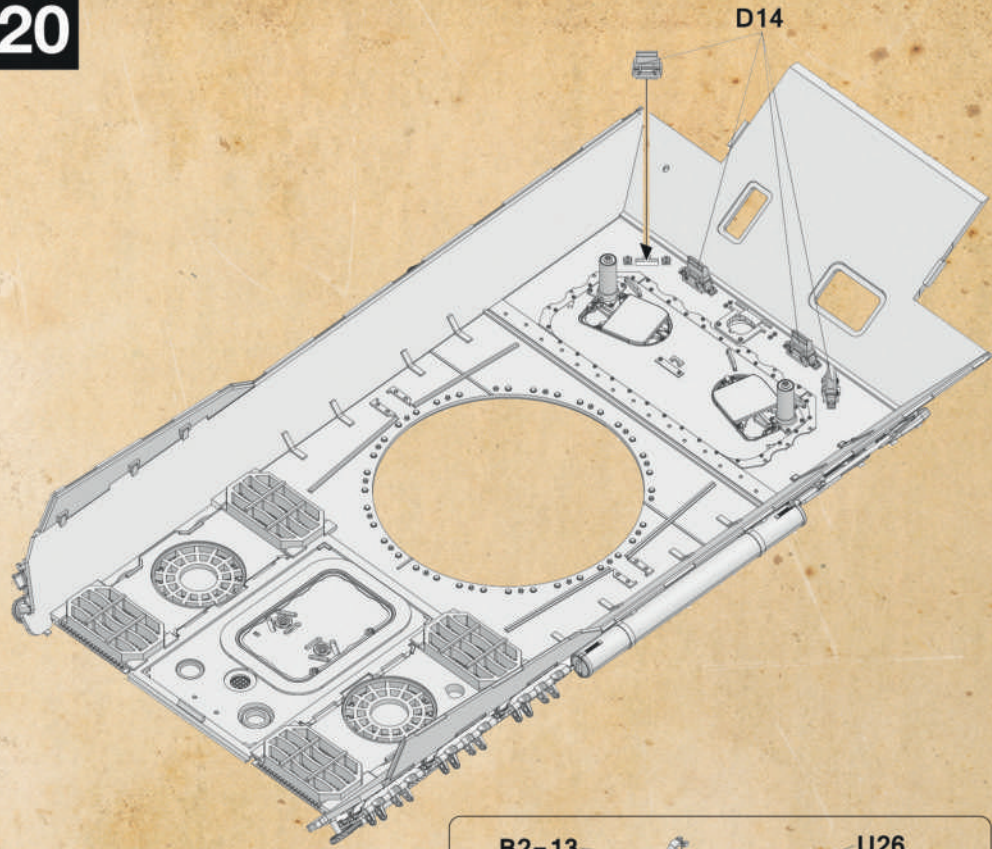
18



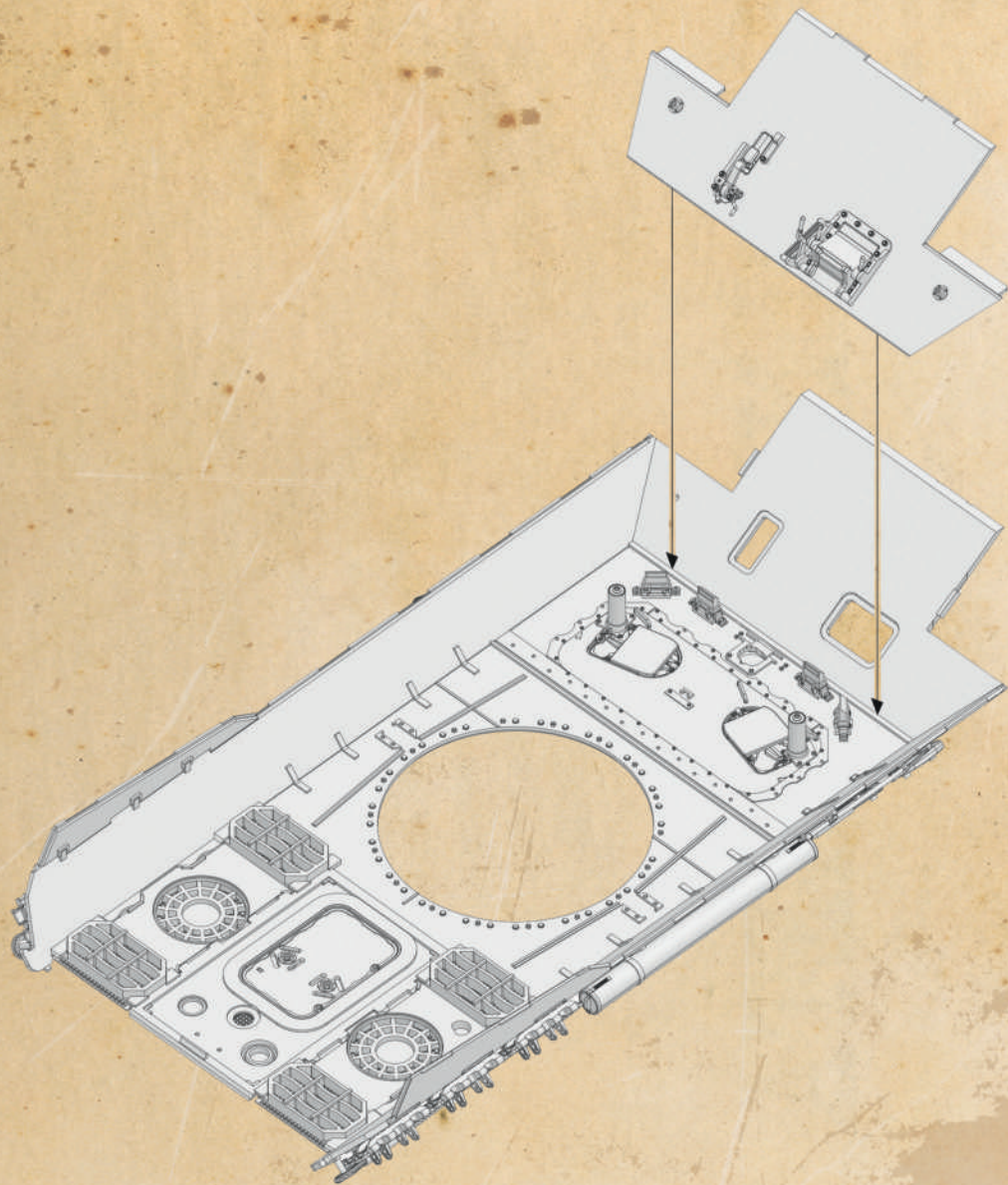
19



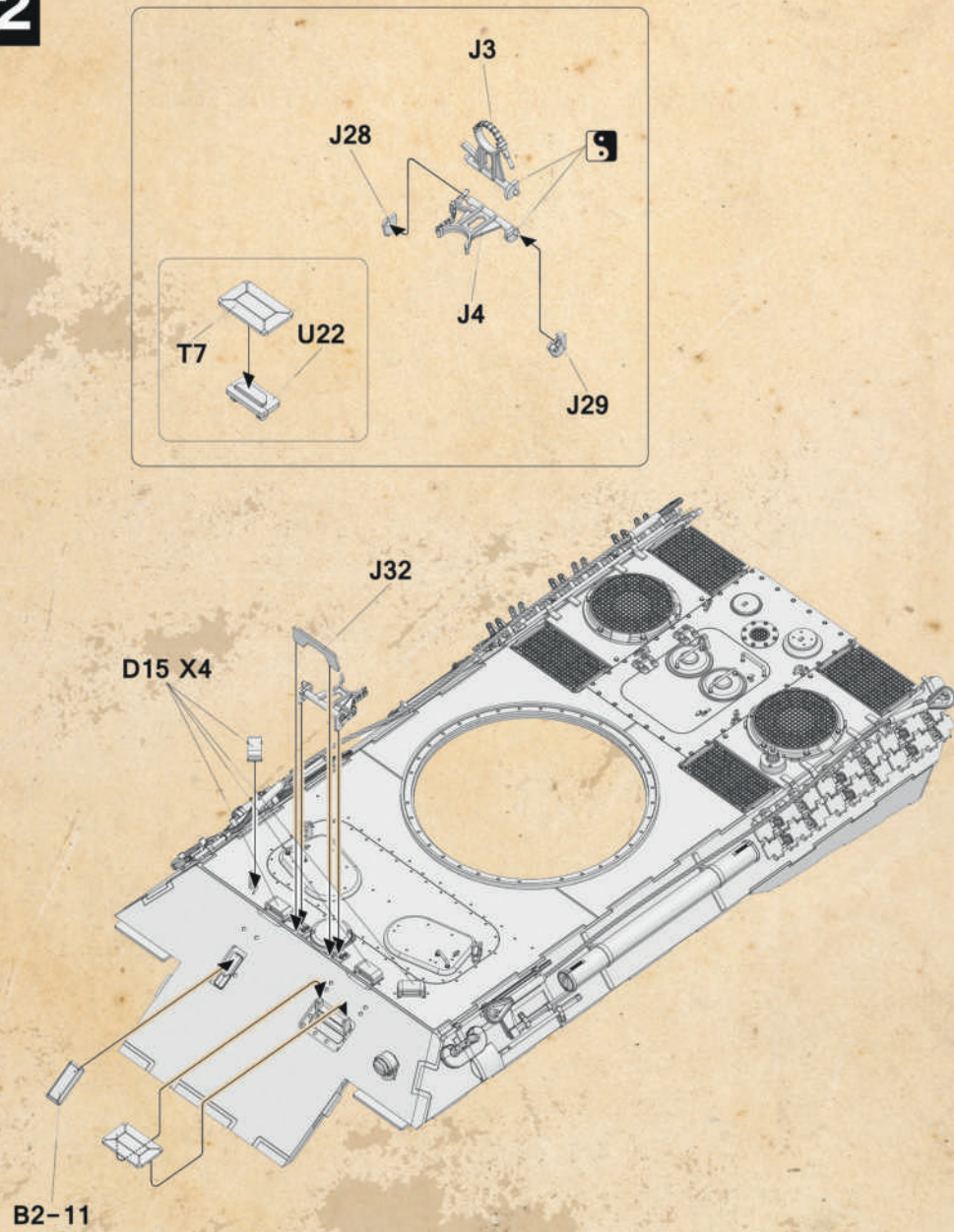
20



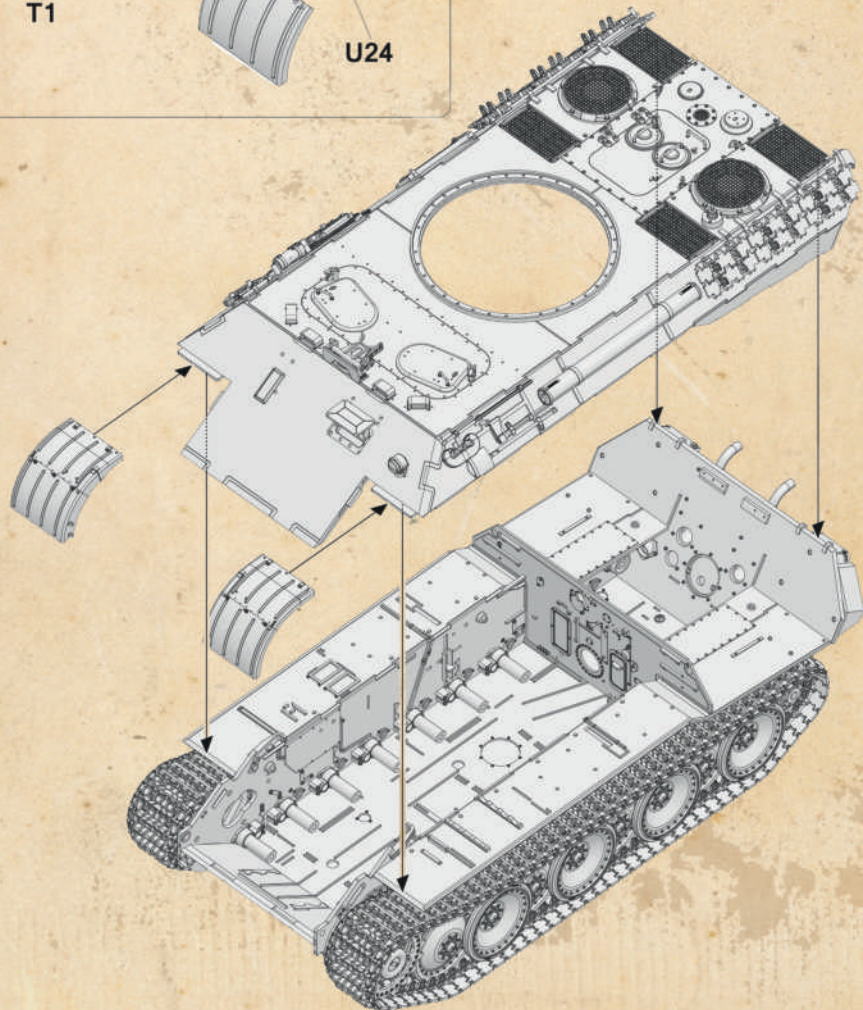
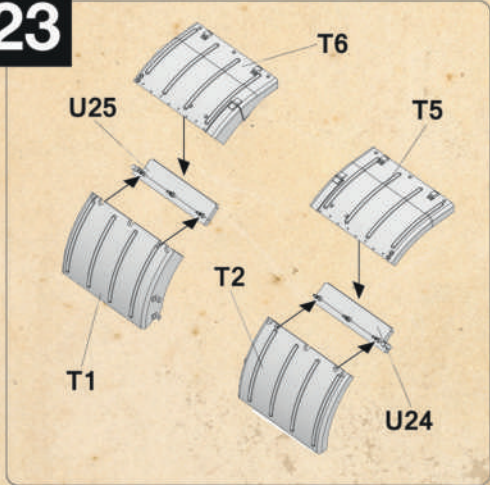
21



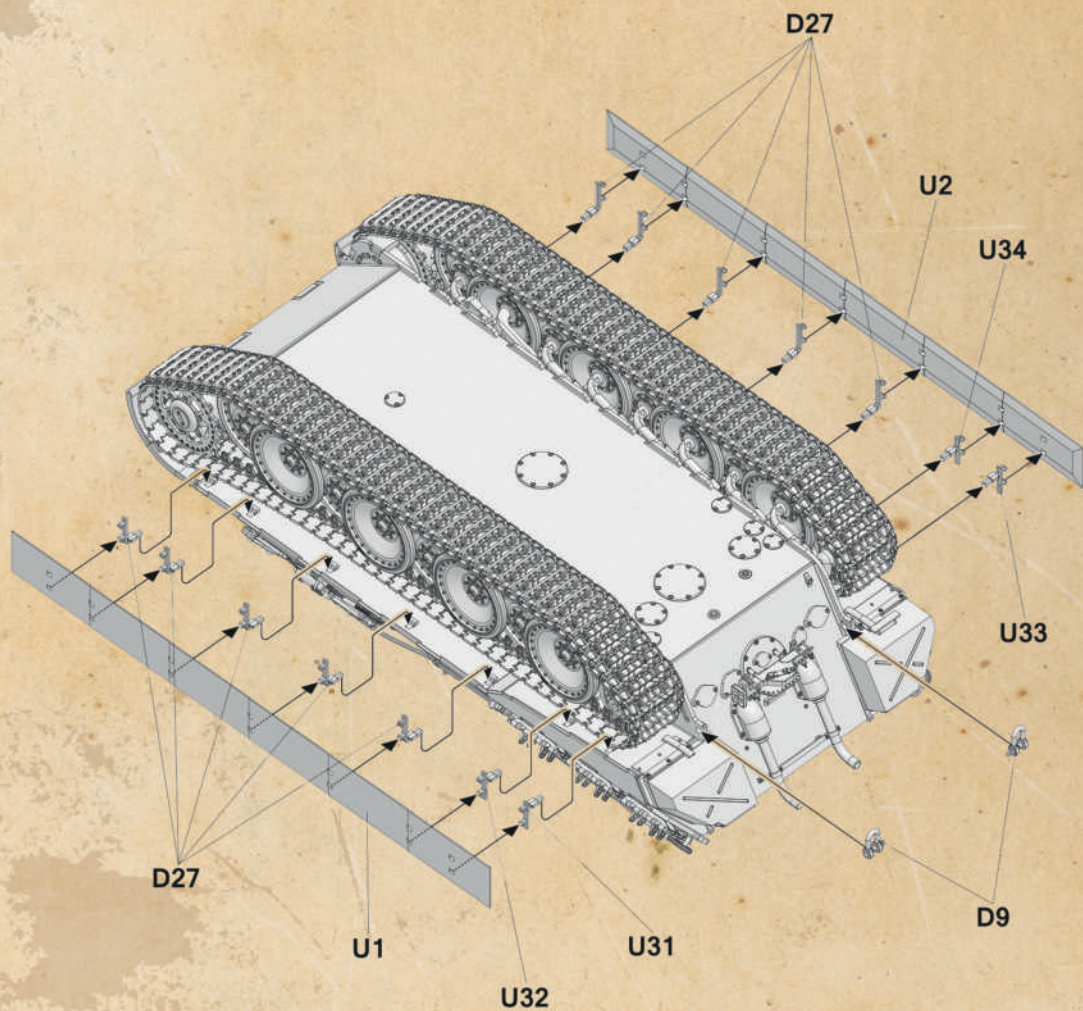
22



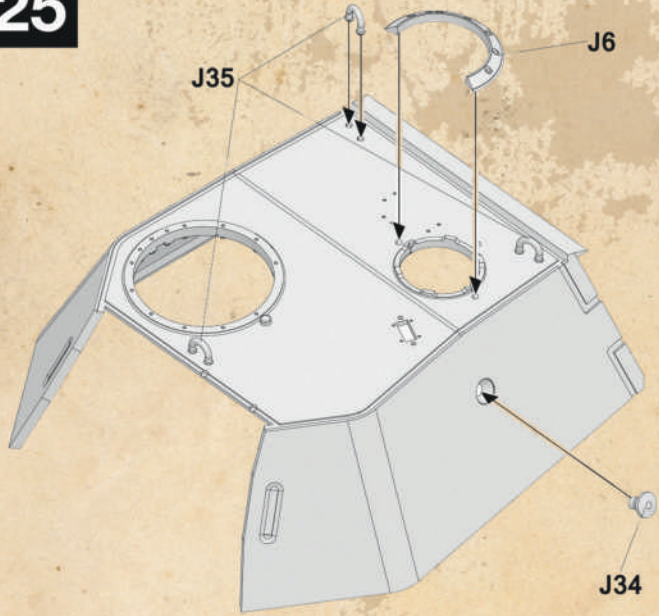
23



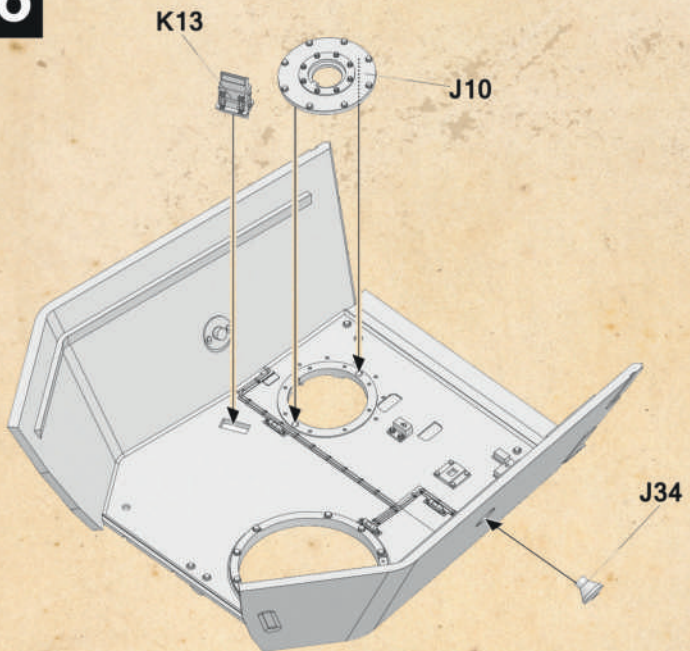
24



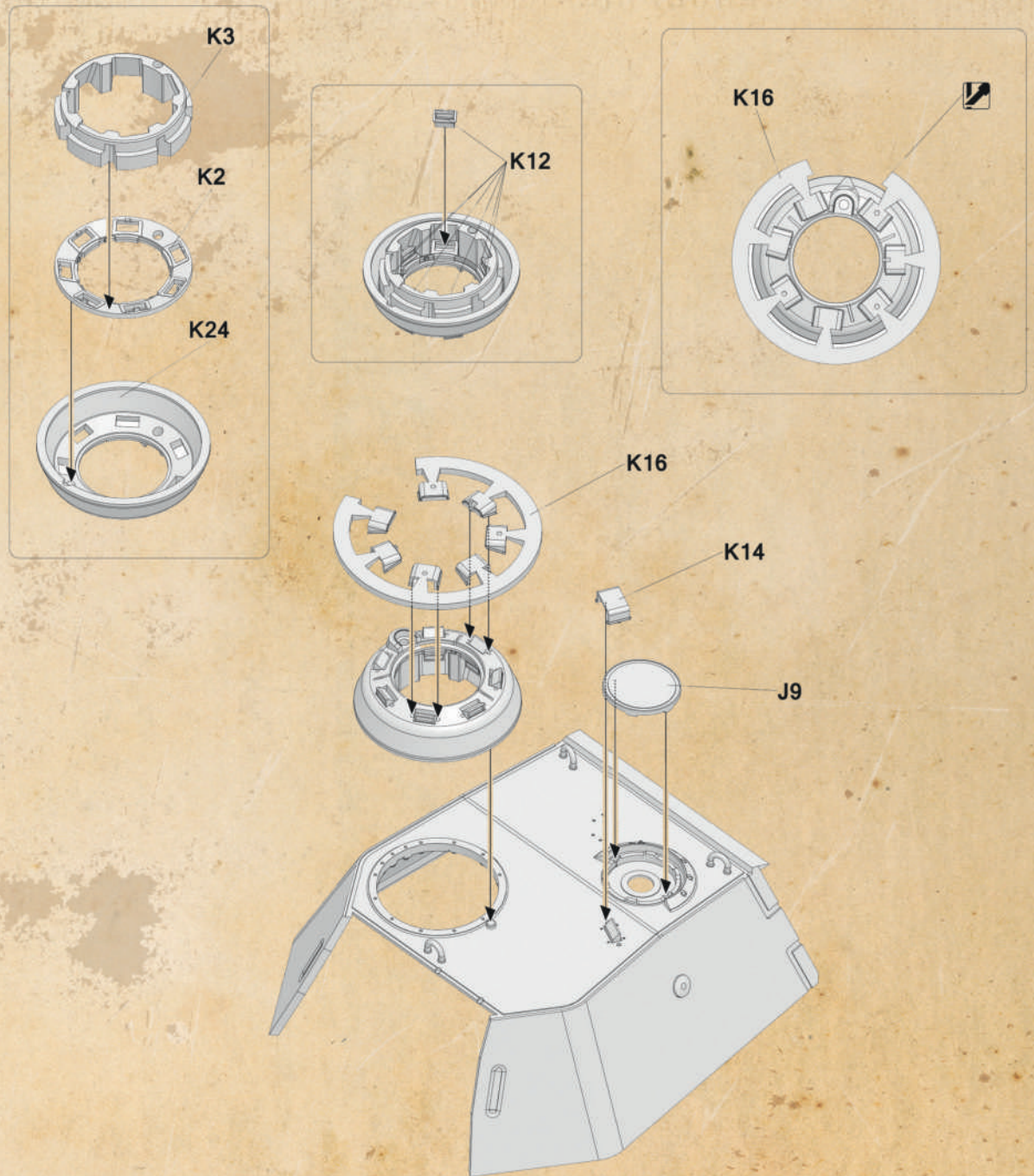
25



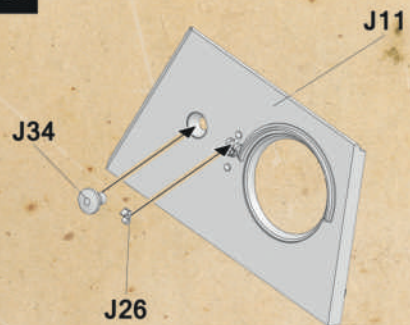
26



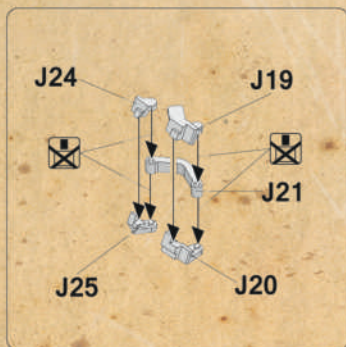
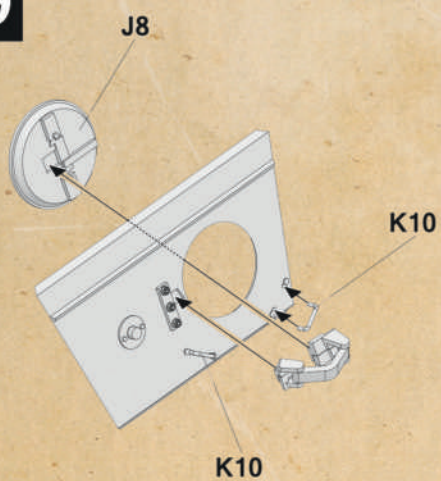
27



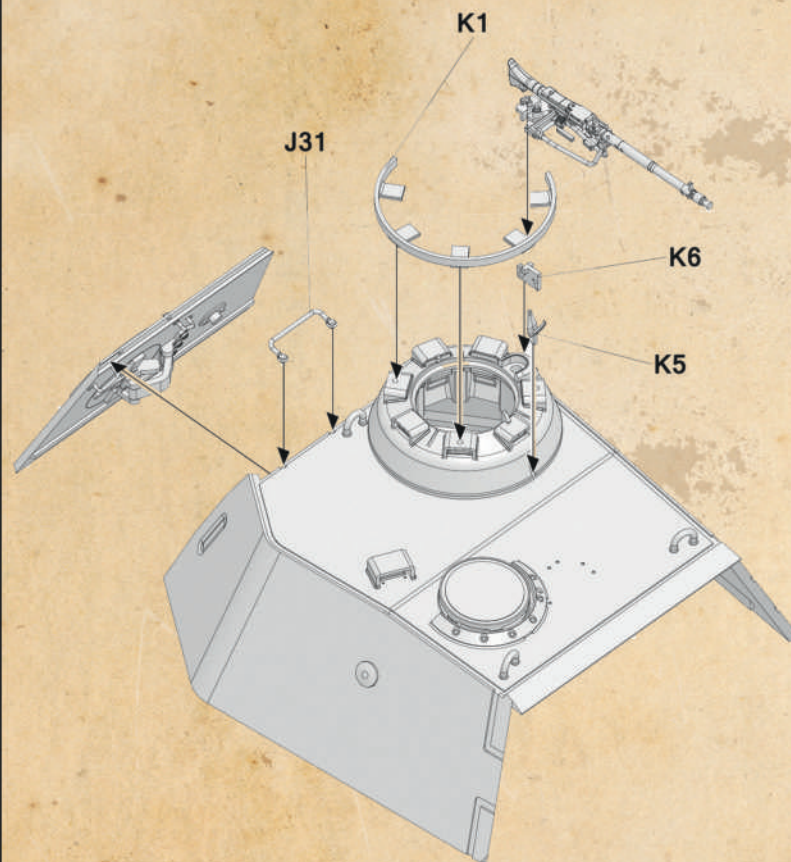
28



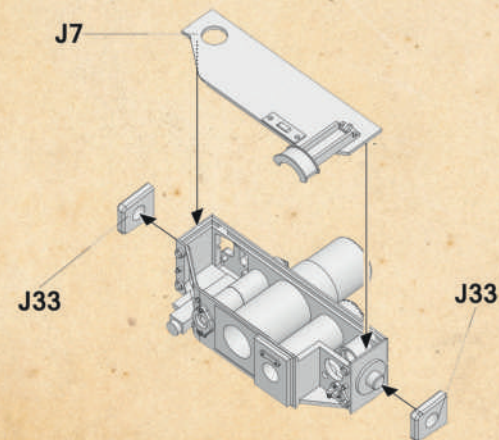
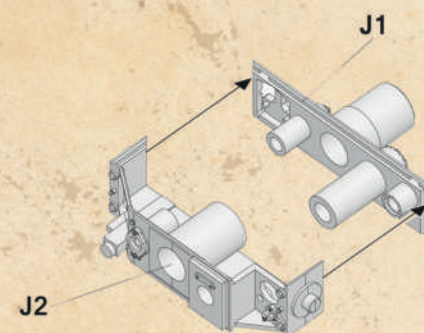
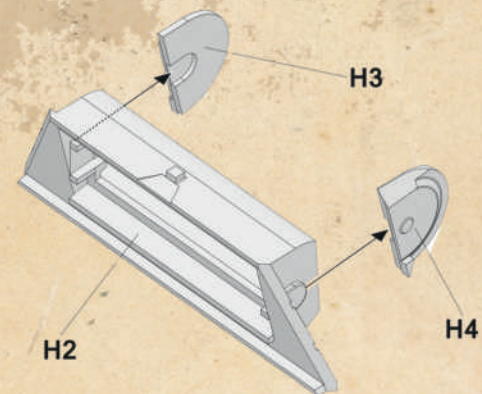
29



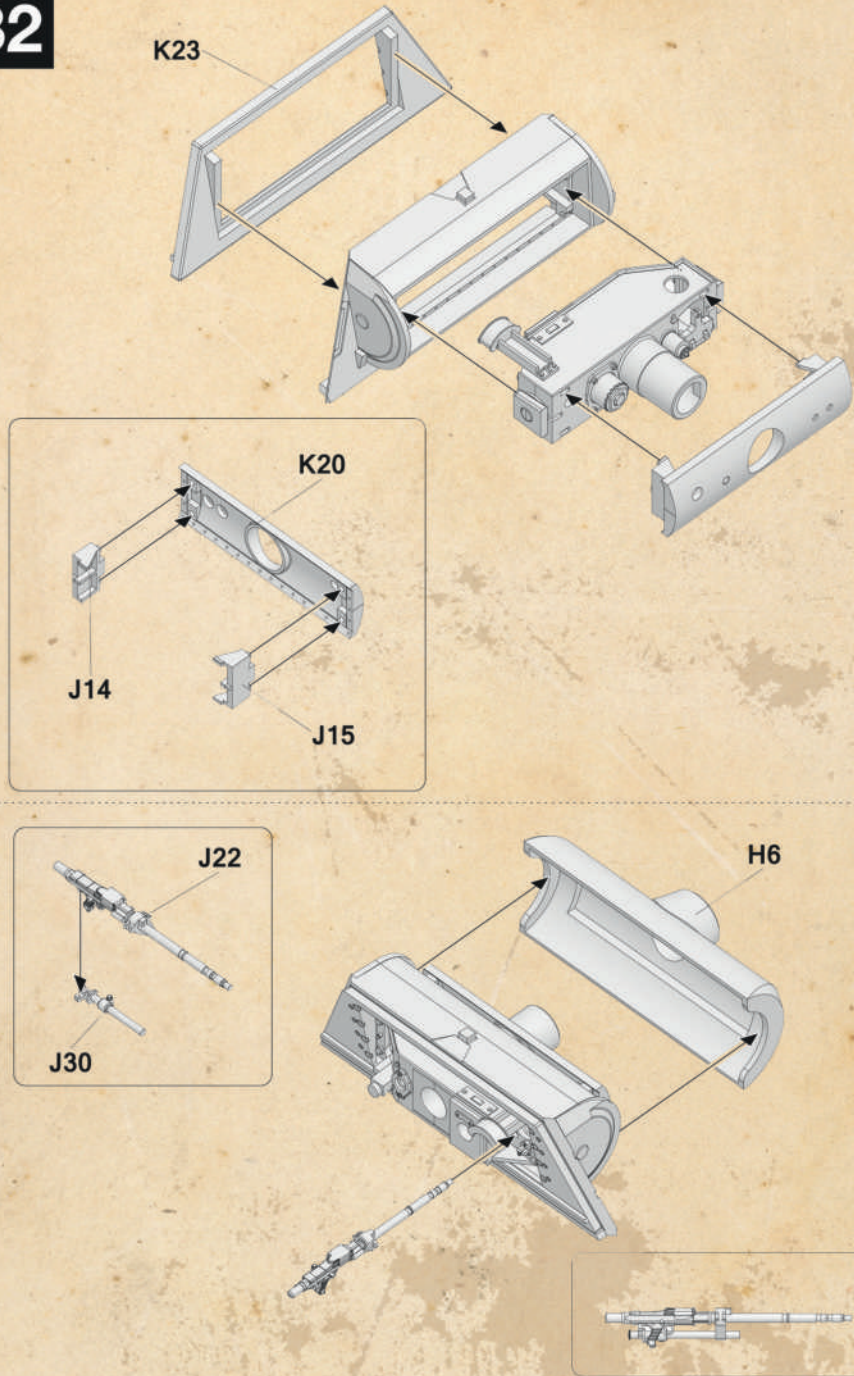
30



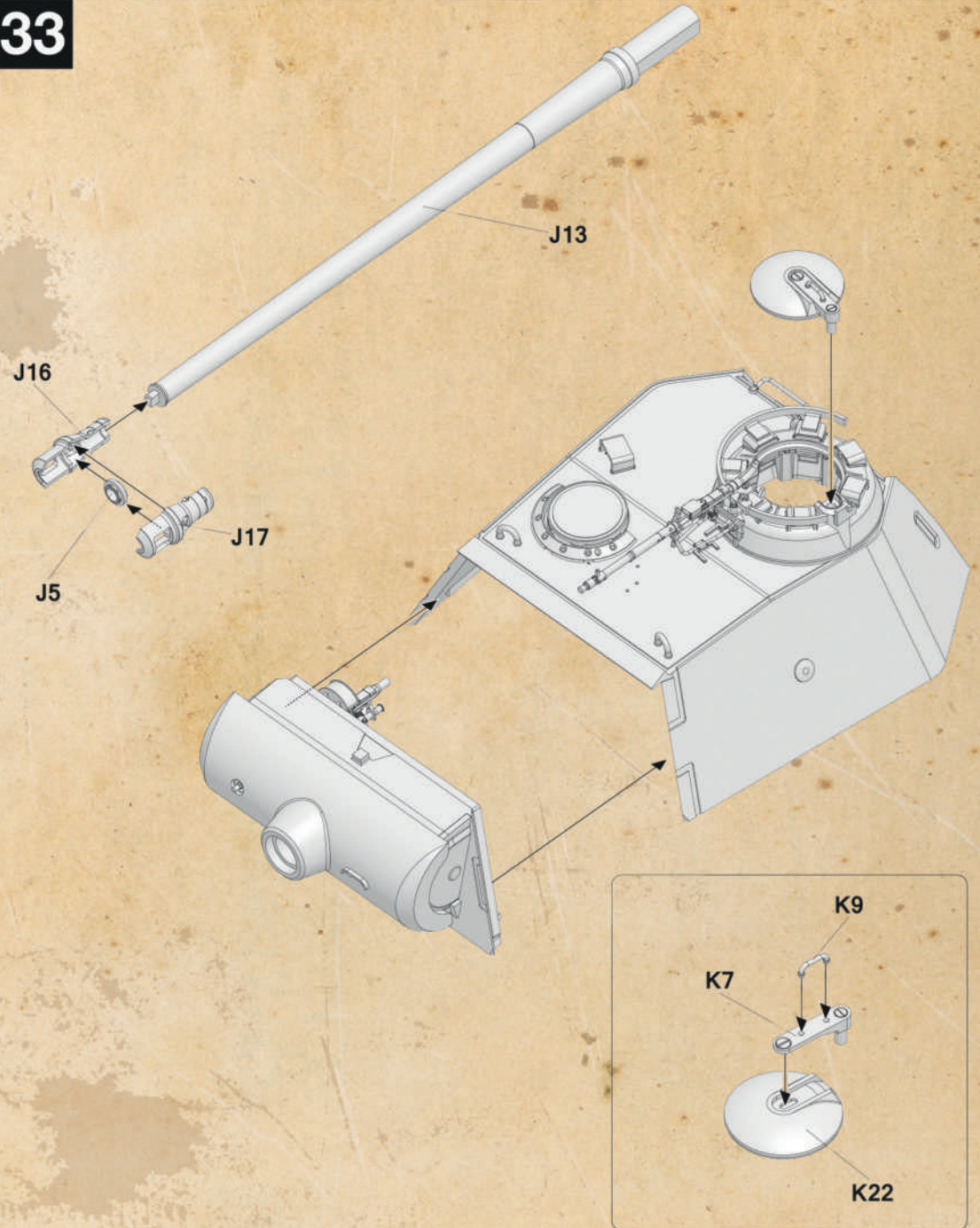
31

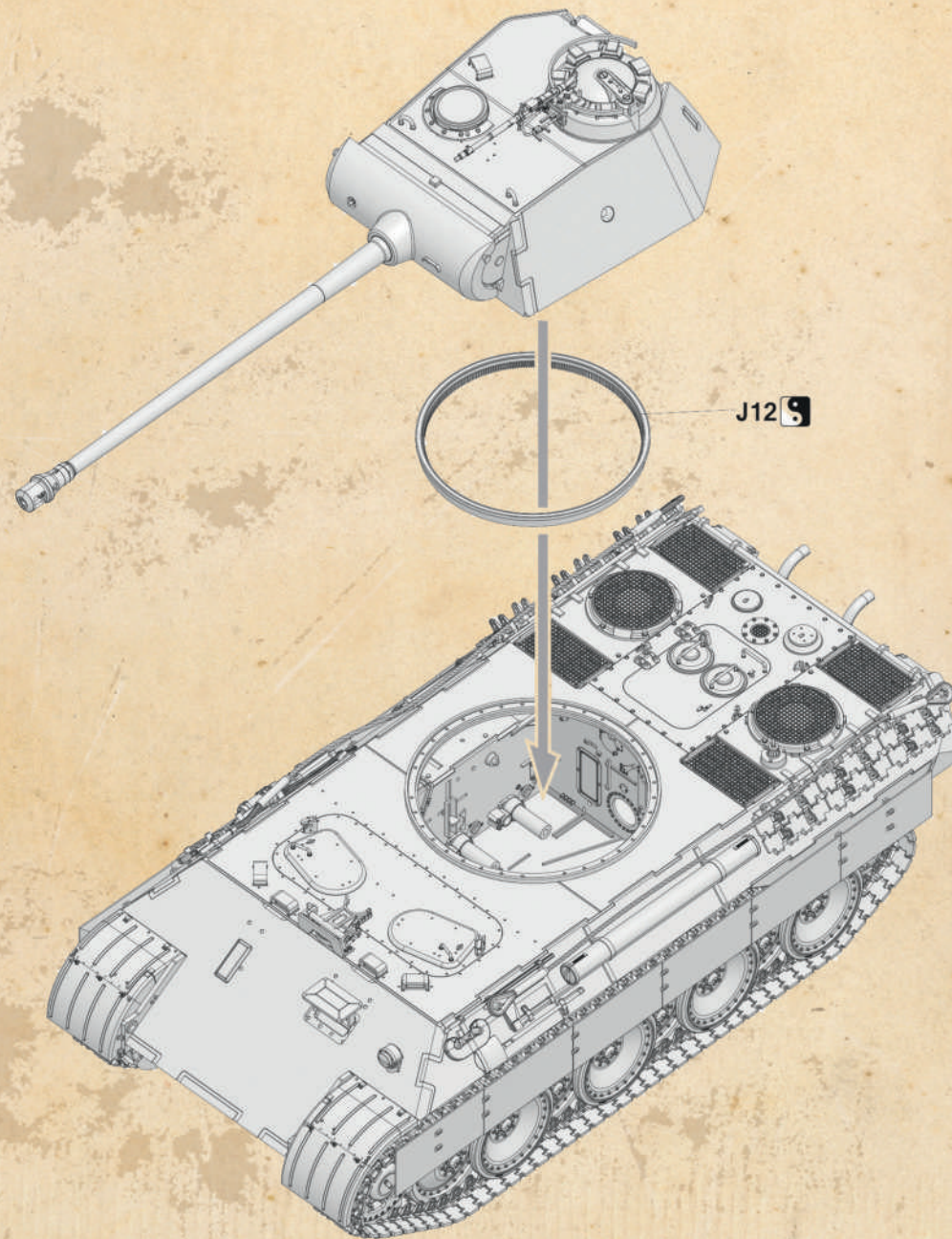
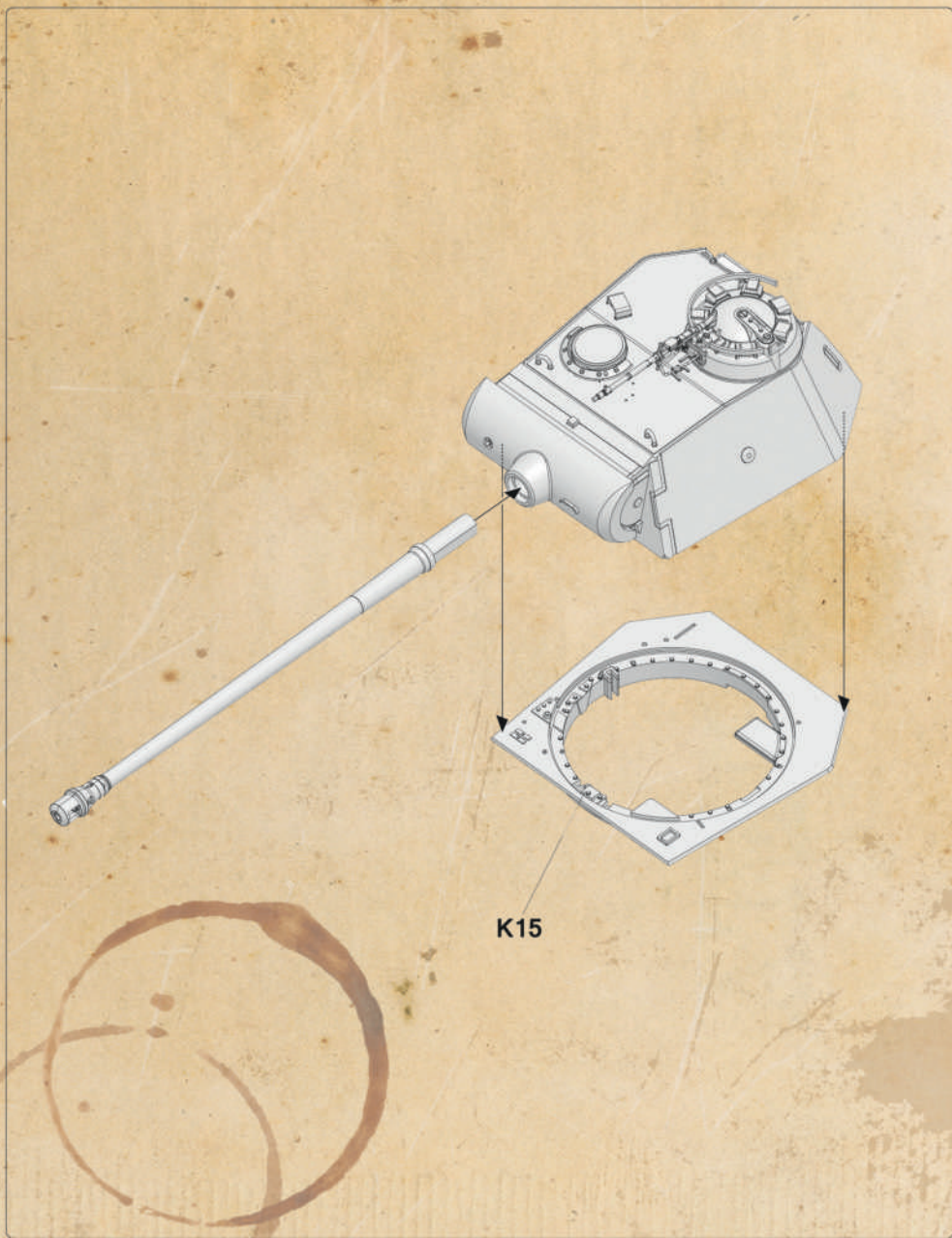


32



33





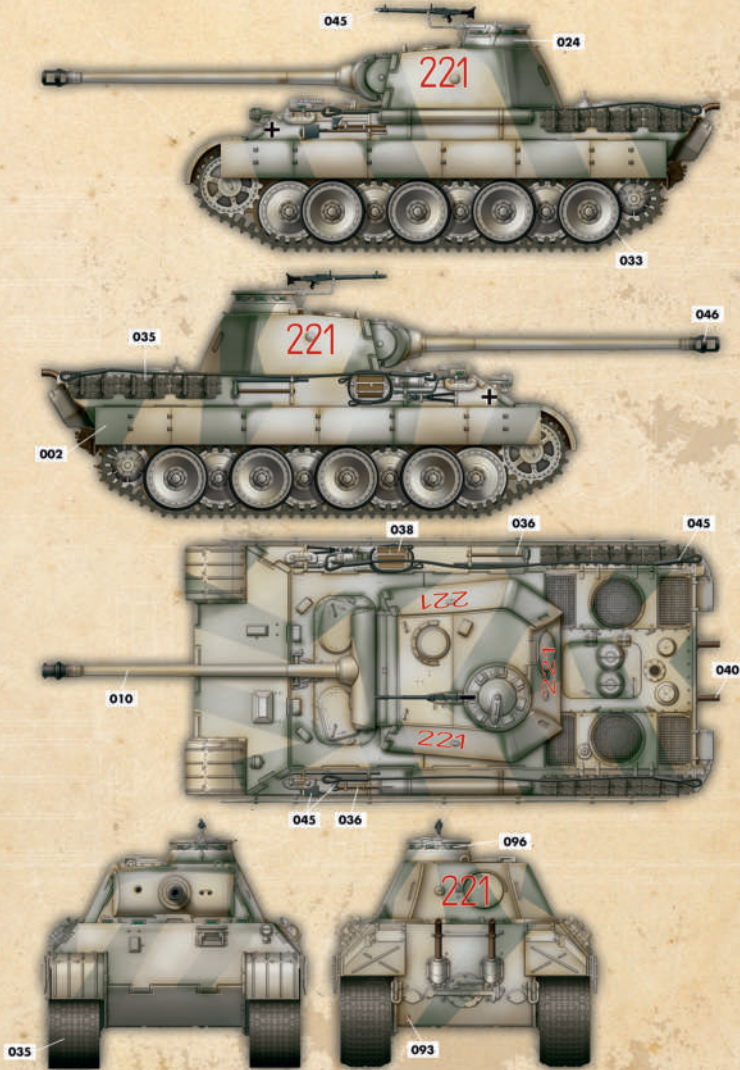
Painting and Marking Guide

DAS WERK Ref: DW35009

Panther Ausf. A, early prod.

Panther Ausf. A. Early. 16 Panzer Division.

A.MIG 033	Rubber & Tires	A.MIG 035	Dark Tracks	A.MIG 036	Old Wood	A.MIG 038	Old Wood
A.MIG 040	Medium Rust	A.MIG 045	Gun Metal	A.MIG 093	Crystal Red	A.MIG 096	Crystal Periscope Green
A.MIG 002	Olivgrün Opt.2	A.MIG 010	Dunkelgelb Mid war	A.MIG 024	Washable White Camo	A.MIG 046	Matt Black



WEATHERING STEPS WITH AMMO PRODUCTS

- | | | | |
|---|--|---|--|
| 1 GENERAL WASH
A.MIG-1001 Africa Korps Wash | 3 STREAKING
A.MIG-1205 Streaking Grime for Winter Vehicles | 5 TRACK WASH
A.MIG-1002 Tracks Wash | 7 MUD
A.MIG-3007 Dark Earth
A.MIG-1754 Damp Earth |
| 2 FILTER
A.MIG-1500 Brown for White | 4 RUST
A.MIG-3510 Rust | 6 DUST
A.MIG-3013 Rubbel | |

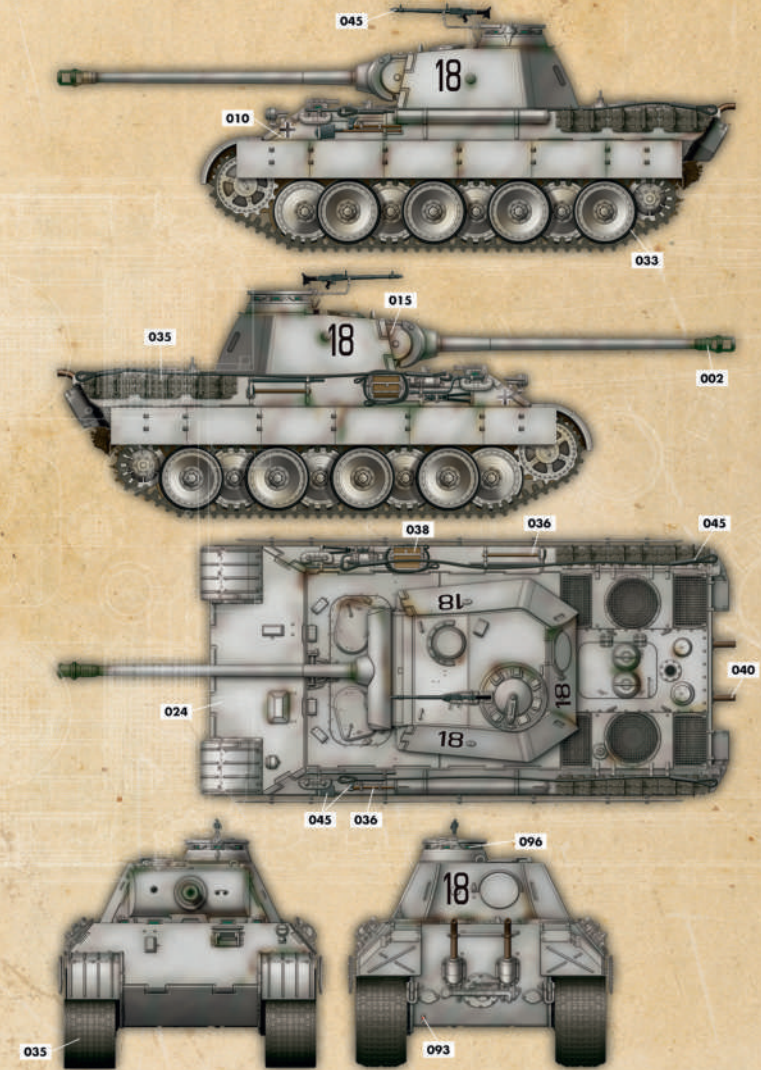
Painting and Marking Guide

DAS WERK Ref: DW35009

Panther Ausf. A, early prod.

Panzer Ausf. A Early 16 Panzer division.
Russia 1944.

A.MIG 033	Rubber & Tires	A.MIG 035	Dark Tracks	A.MIG 036	Old Wood	A.MIG 038	Old Wood
A.MIG 040	Medium Rust	A.MIG 045	Gun Metal	A.MIG 093	Crystal Red	A.MIG 096	Crystal Periscope Green
A.MIG 002	Olivgrün Opt.2	A.MIG 010	Dunkelgelb Mid war	A.MIG 015	Schokobrown	A.MIG 024	Washable White Camo



WEATHERING STEPS WITH AMMO PRODUCTS

- | | | | |
|---|--|---|--|
| 1 GENERAL WASH
A.MIG-1001 Africa Korps Wash | 3 STREAKING
A.MIG-1205 Streaking Grime for Winter Vehicles | 5 TRACK WASH
A.MIG-1002 Tracks Wash | 7 MUD
A.MIG-3007 Dark Earth
A.MIG-1754 Damp Earth |
| 2 FILTER
A.MIG-1500 Brown for White | 4 RUST
A.MIG-3510 Rust | 6 DUST
A.MIG-3013 Rubbel | |

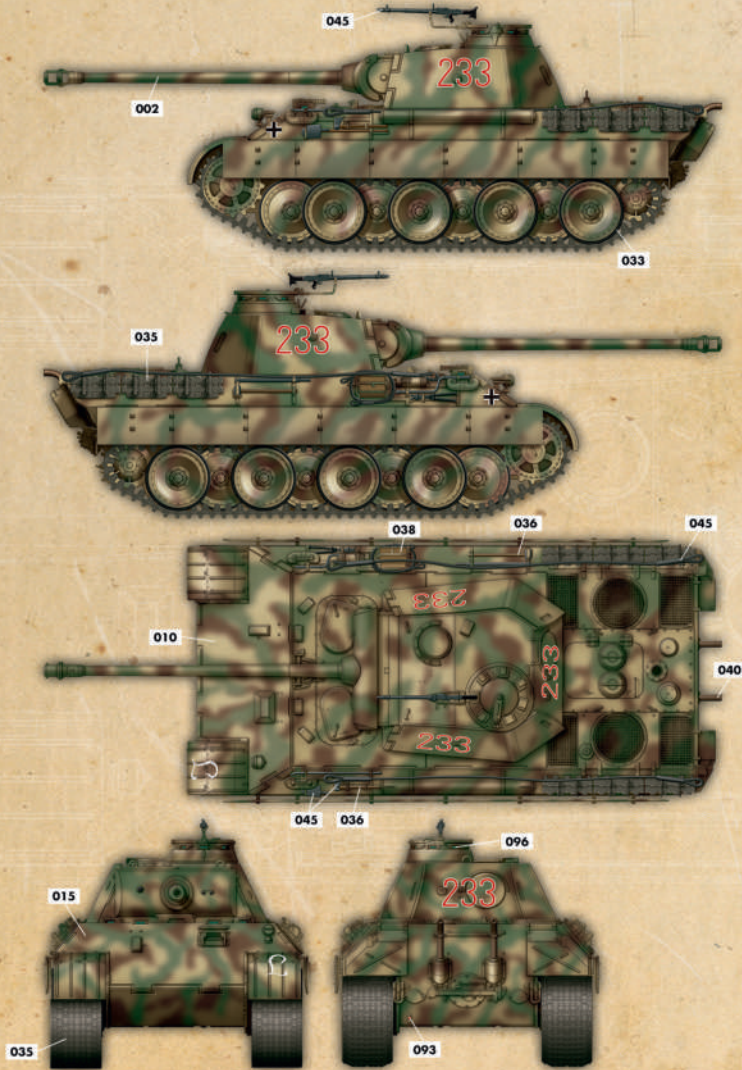
Painting and Marking Guide

DAS WERK Ref: DW35009

Panther Ausf. A, early prod.

Panther A Pz Lehr, of 1. Kompanie, 12 July Normandie 1944.

A.MIG 033	Rubber & Tires	A.MIG 035	Dark Tracks	A.MIG 036	Old Wood	A.MIG 038	Old Wood
A.MIG 040	Medium Rust	A.MIG 045	Gun Metal	A.MIG 093	Crystal Red	A.MIG 096	Crystal Periscope Green
A.MIG 002	Olivgrün Cpt.2	A.MIG 010	Dunkelgelb Mid-war	A.MIG 015	Schokobraun		



WEATHERING STEPS WITH AMMO PRODUCTS

- | | | | |
|--|--|---|--|
| 1 GENERAL WASH
A.MIG-1000 Brown Wash for German Yellow | 3 STREAKING
A.MIG-1203 Streaking Grime | 5 TRACK WASH
A.MIG-1002 Tracks Wash | 7 MUD
A.MIG-3007 Dark Earth
A.MIG-1752 Loose Ground |
| 2 FILTER
A.MIG-1510 Tone for 3 tone camo | 4 RUST
A.MIG-3510 Rust | 6 DUST
A.MIG-3013 Rubbel | |

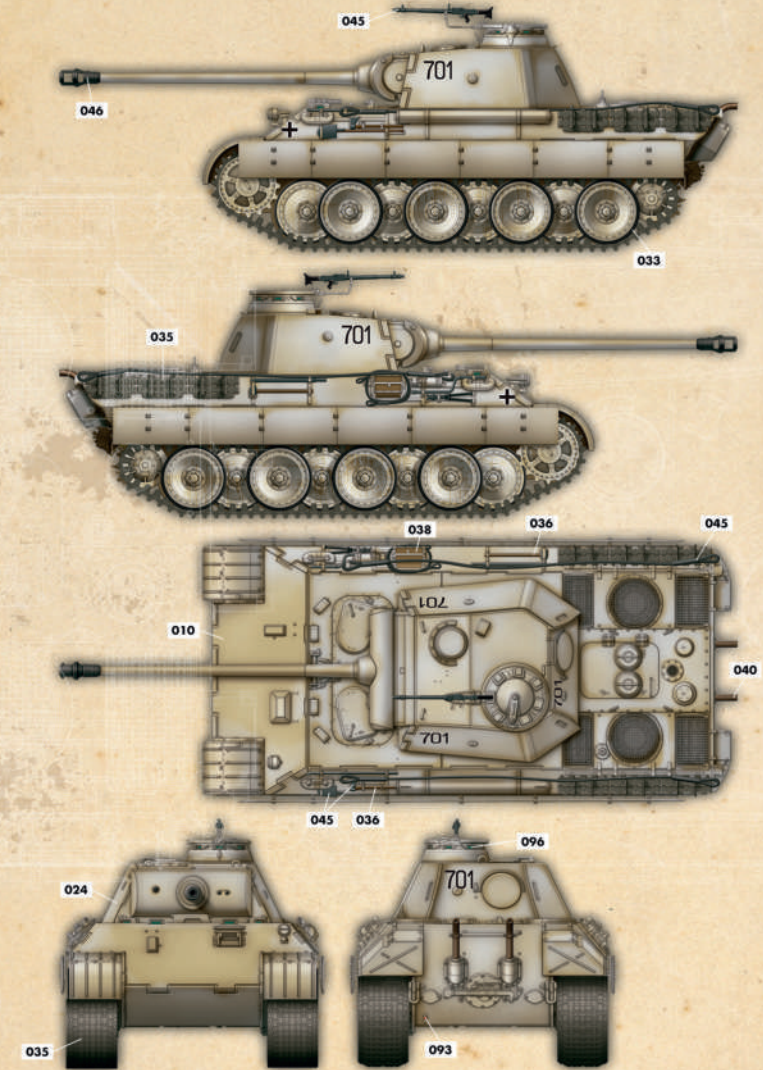
Painting and Marking Guide

DAS WERK Ref: DW35009

Panther Ausf. A, early prod.

The 701, Panzer Regiment 23.

A.MIG 033	Rubber & Tires	A.MIG 035	Dark Tracks	A.MIG 036	Old Wood	A.MIG 038	Old Wood
A.MIG 040	Medium Rust	A.MIG 045	Gun Metal	A.MIG 093	Crystal Red	A.MIG 096	Crystal Periscope Green
A.MIG 010	Dunkelgelb Mid-war	A.MIG 046	Matt Black	A.MIG 024	Washable White Camo		



WEATHERING STEPS WITH AMMO PRODUCTS

- | | | | |
|---|--|---|--|
| 1 GENERAL WASH
A.MIG-1001 Africa Korps Wash | 3 STREAKING
A.MIG-1205 Streaking Grime for Winter Vehicles | 5 TRACK WASH
A.MIG-1002 Tracks Wash | 7 MUD
A.MIG-3007 Dark Earth
A.MIG-1754 Damp Earth |
| 2 FILTER
A.MIG-1500 Brown for White | 4 RUST
A.MIG-3510 Rust | 6 DUST
A.MIG-3013 Rubbel | |