



1/48 SCALE MODEL CONSTRUCTION KIT

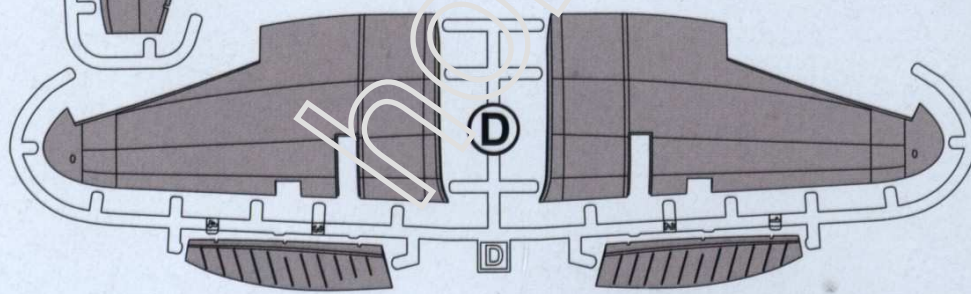
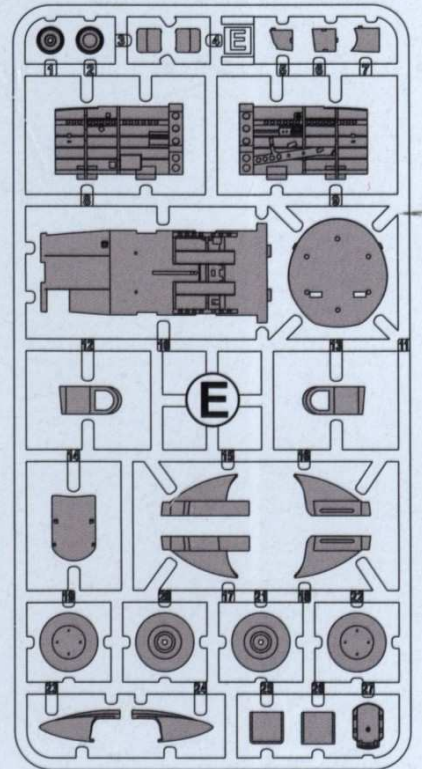
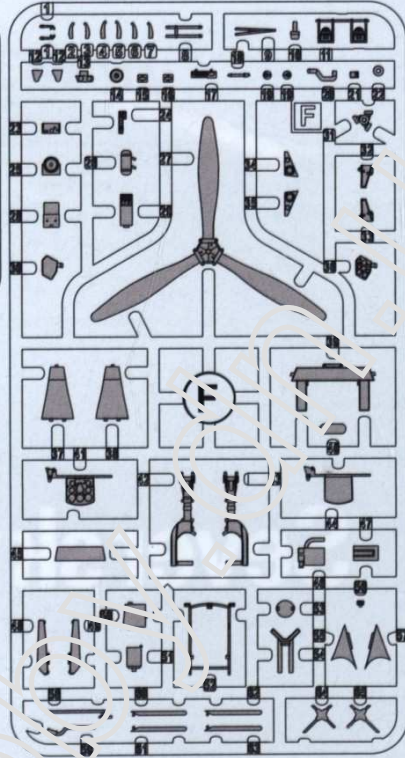
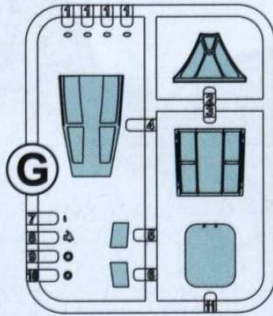
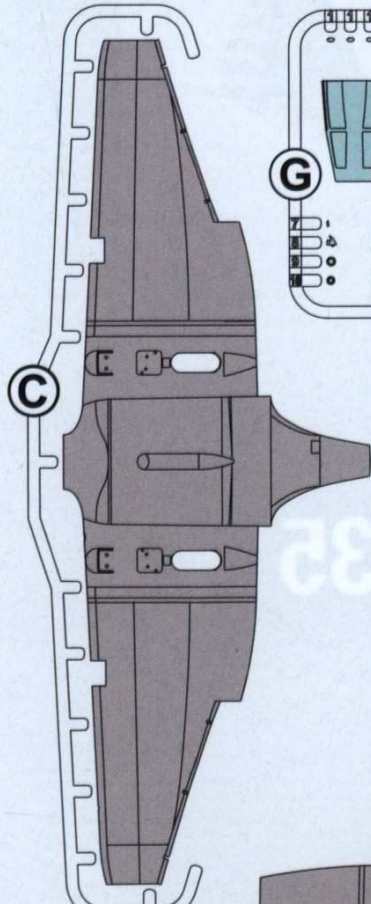
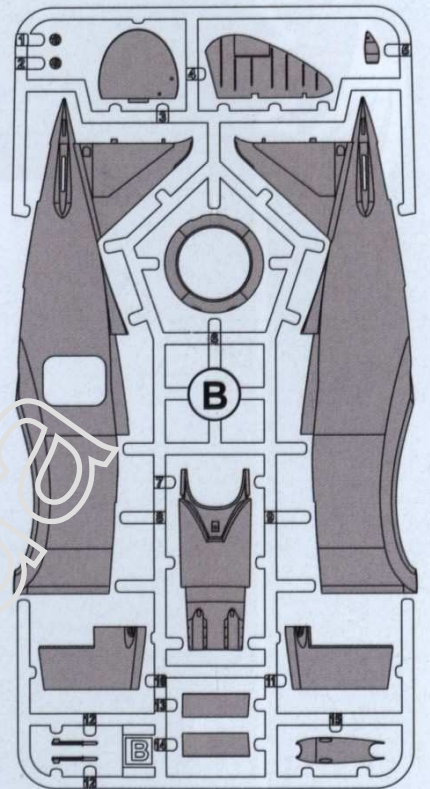
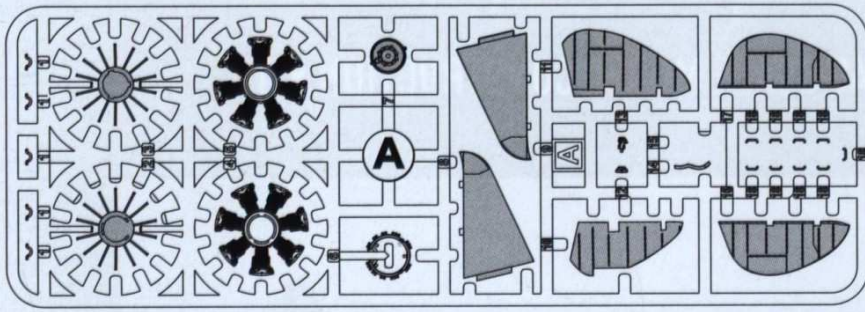


Seversky P-35

hobbyjdn.us

DW 48012

PARTS OF THE MODEL

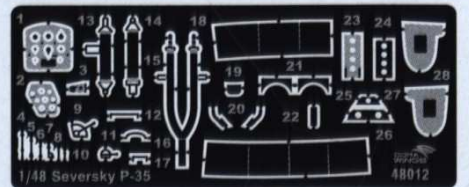
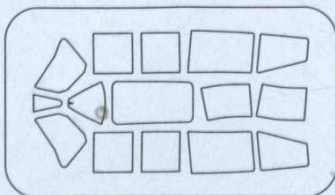


Mask

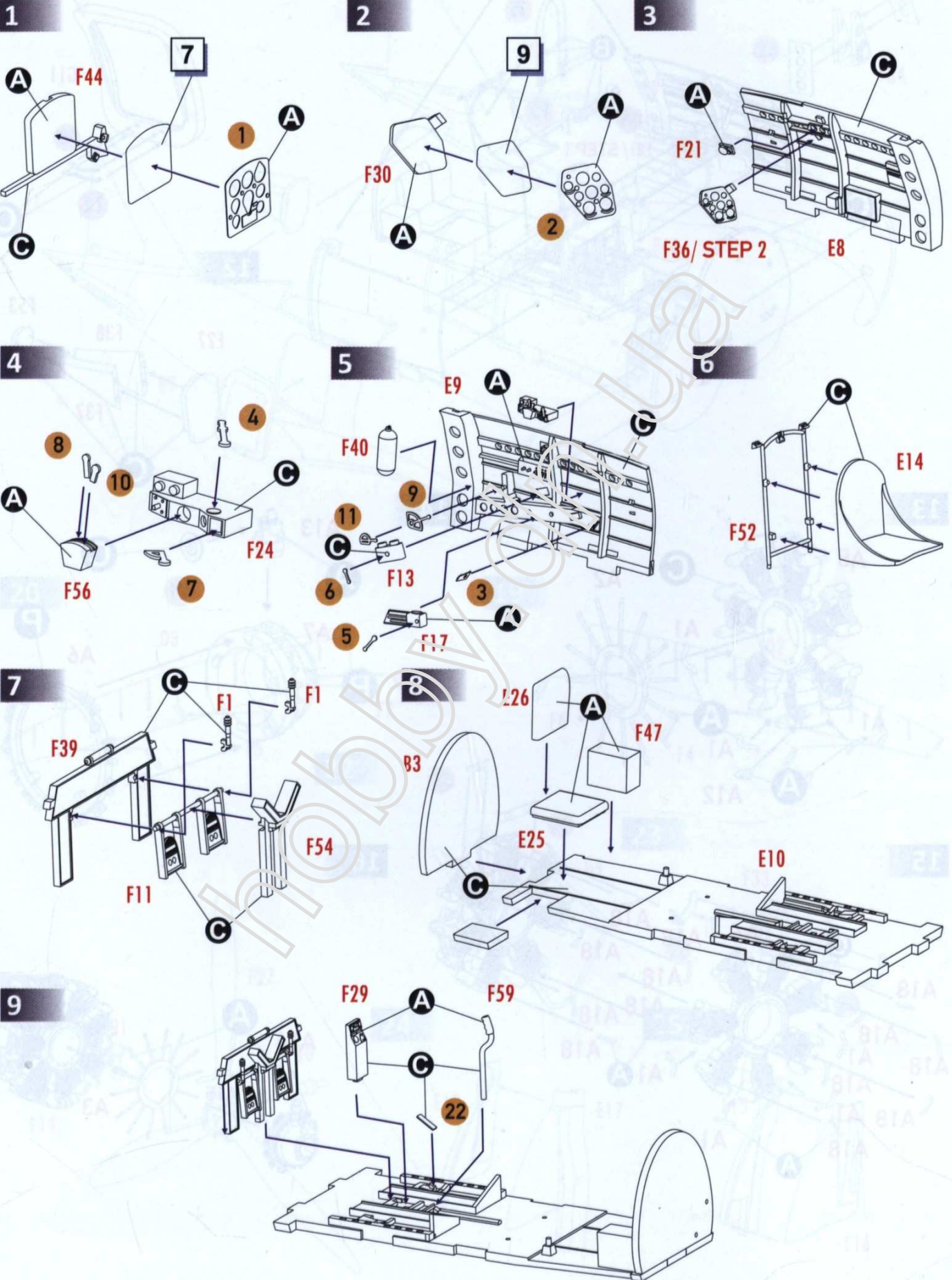
Decal

Mask

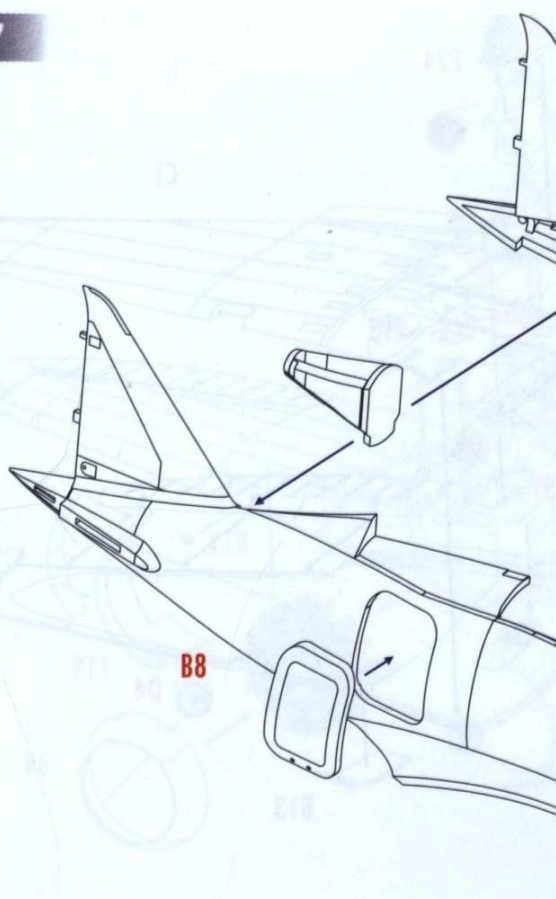
Pe



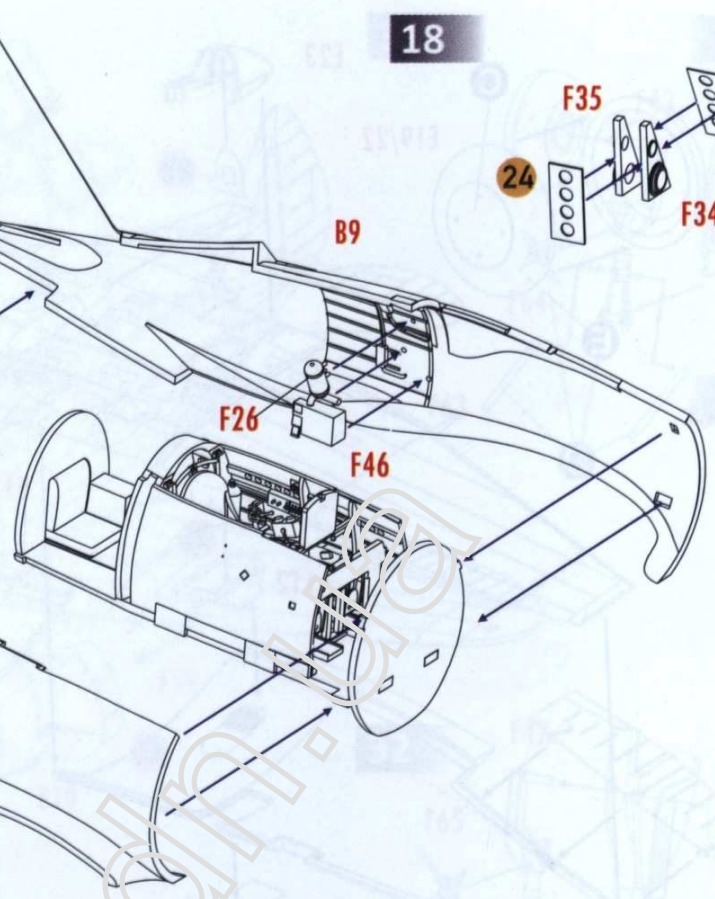
ASSEMBLY INSTRUCTION



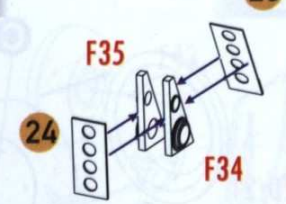
17



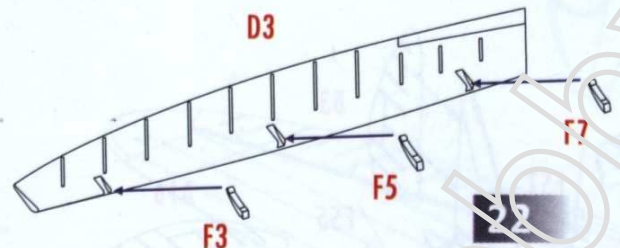
18



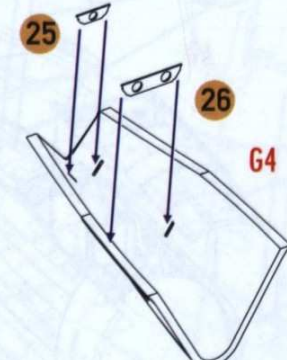
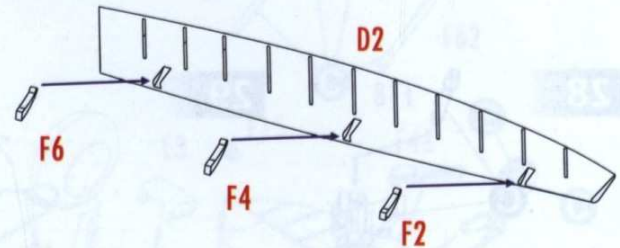
23



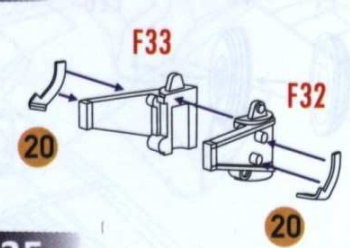
20



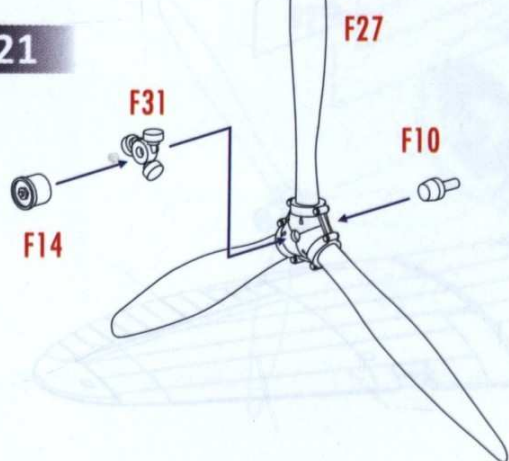
18



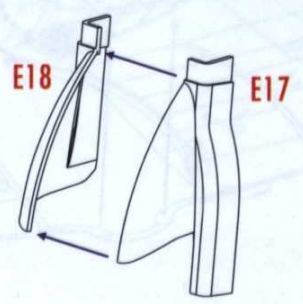
23



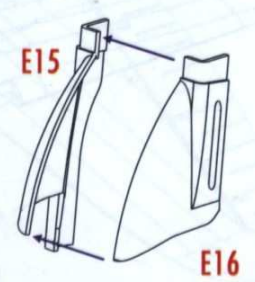
21



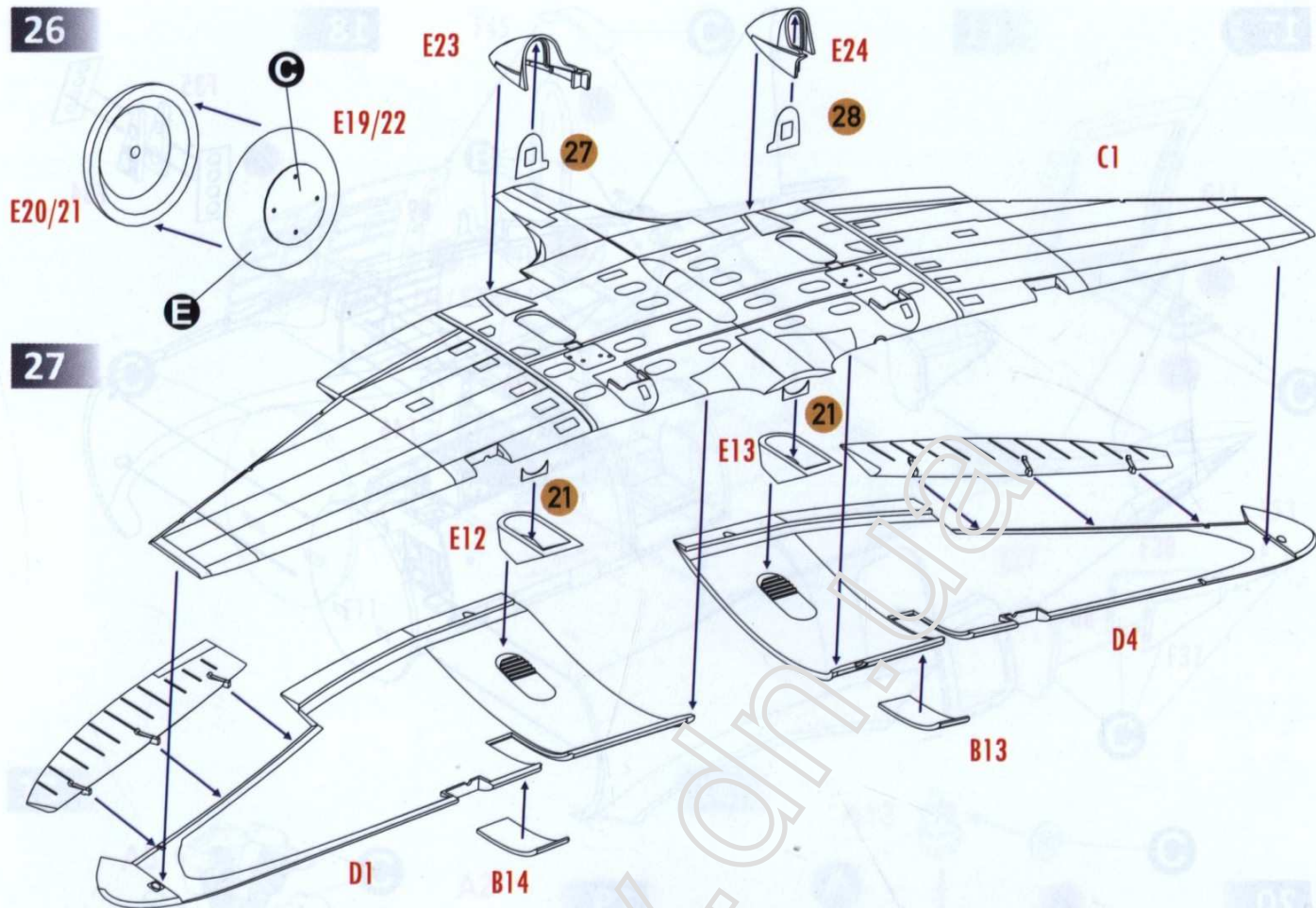
24



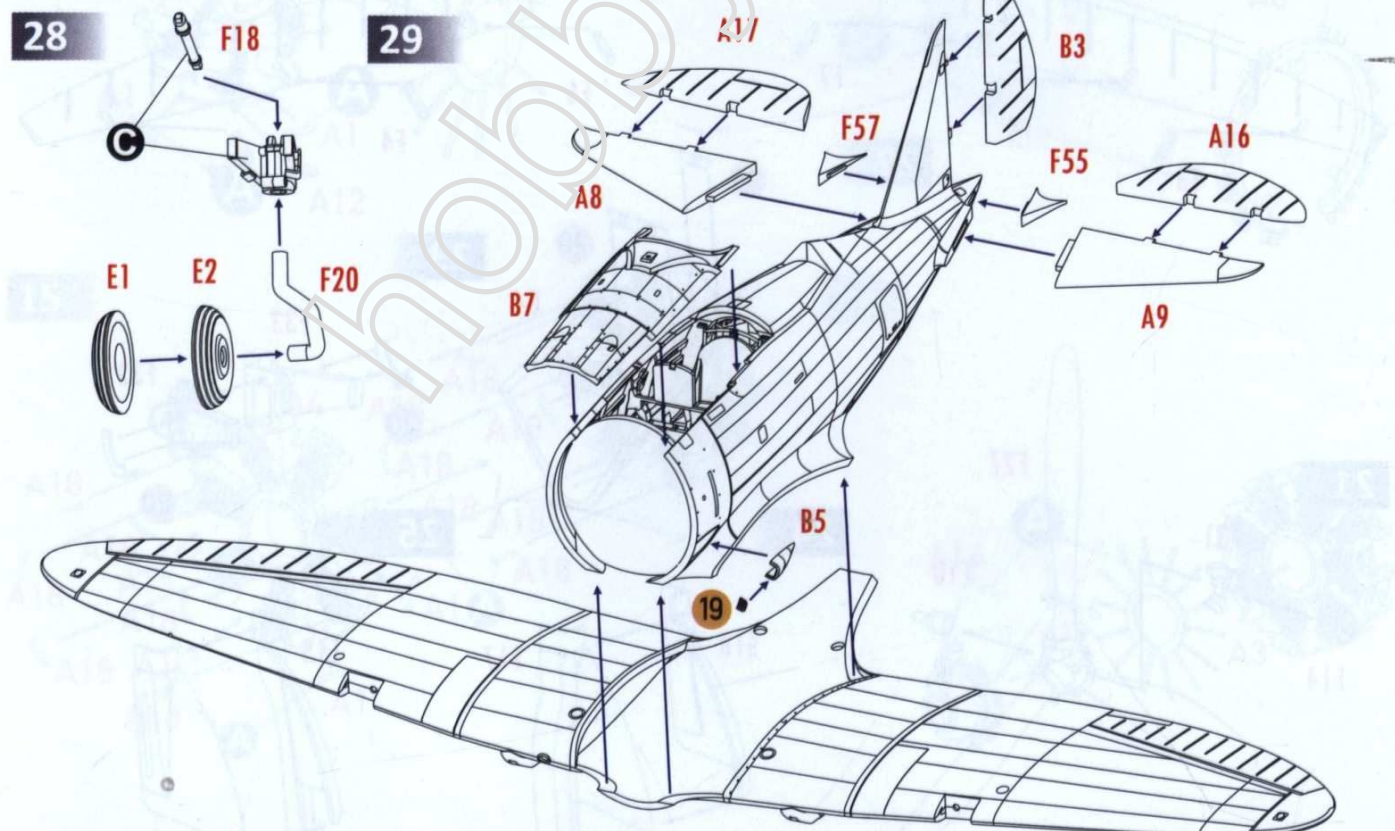
25



26



27

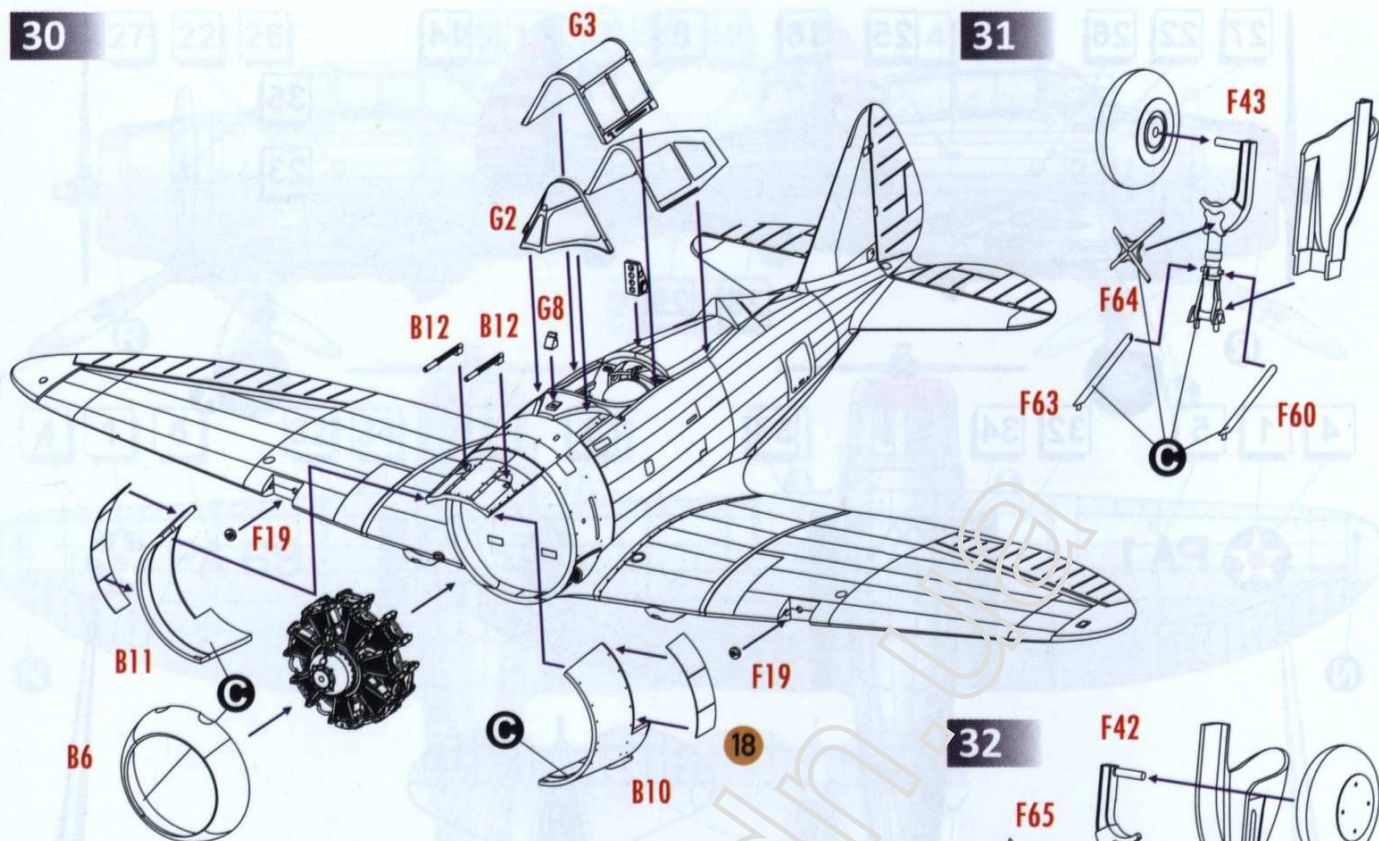


28

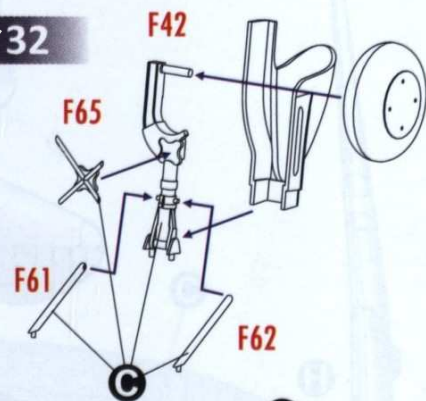
29

30

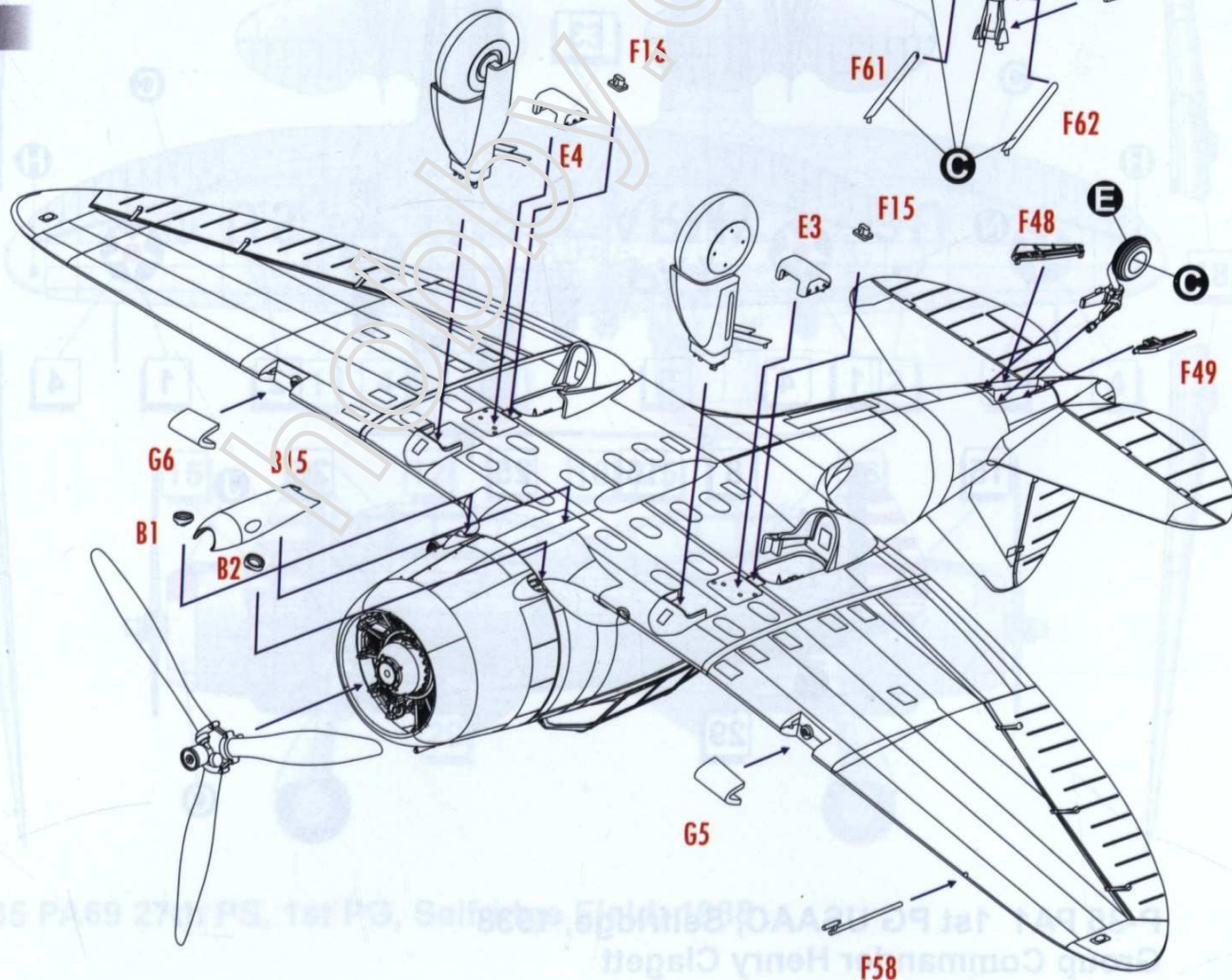
31

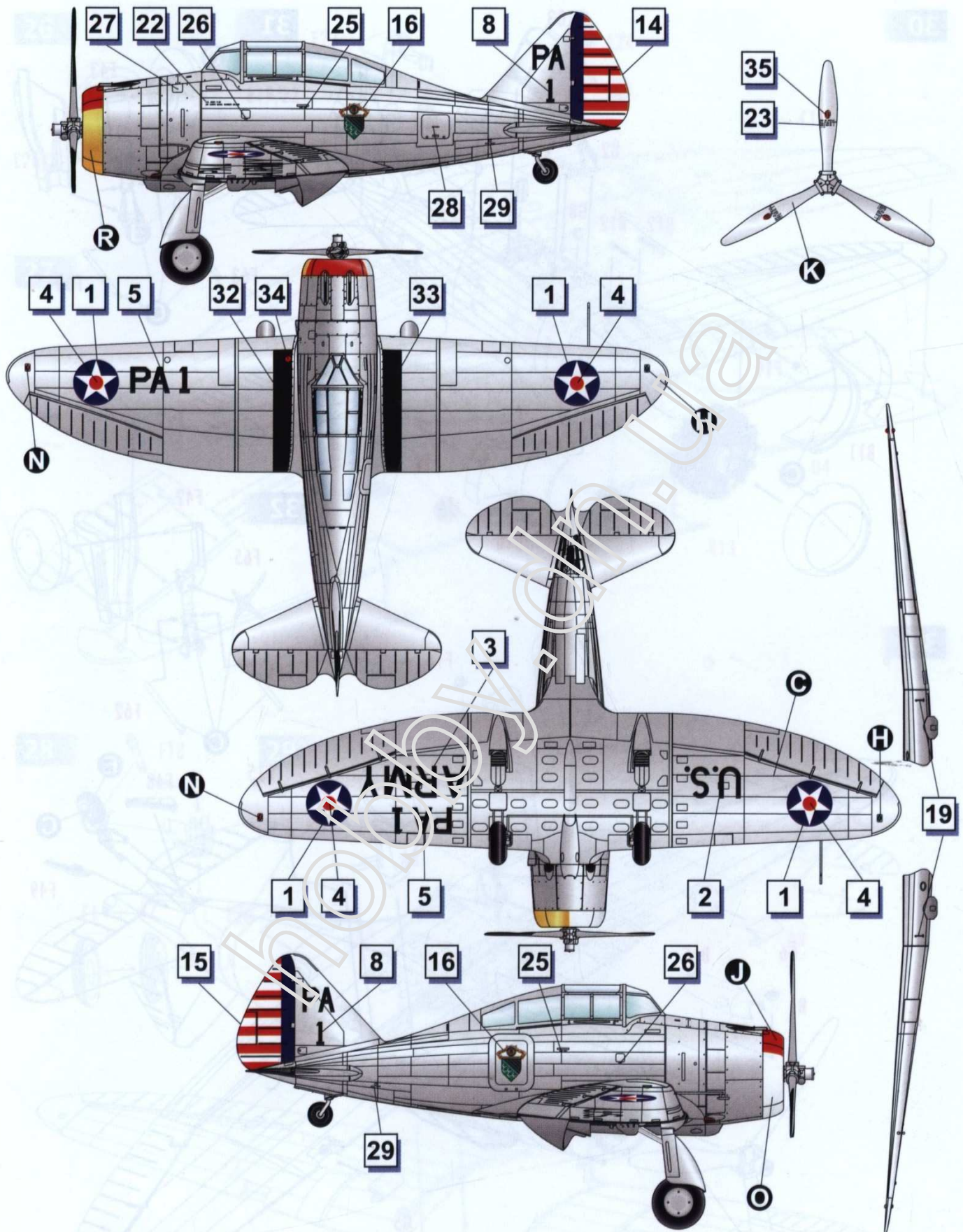


32

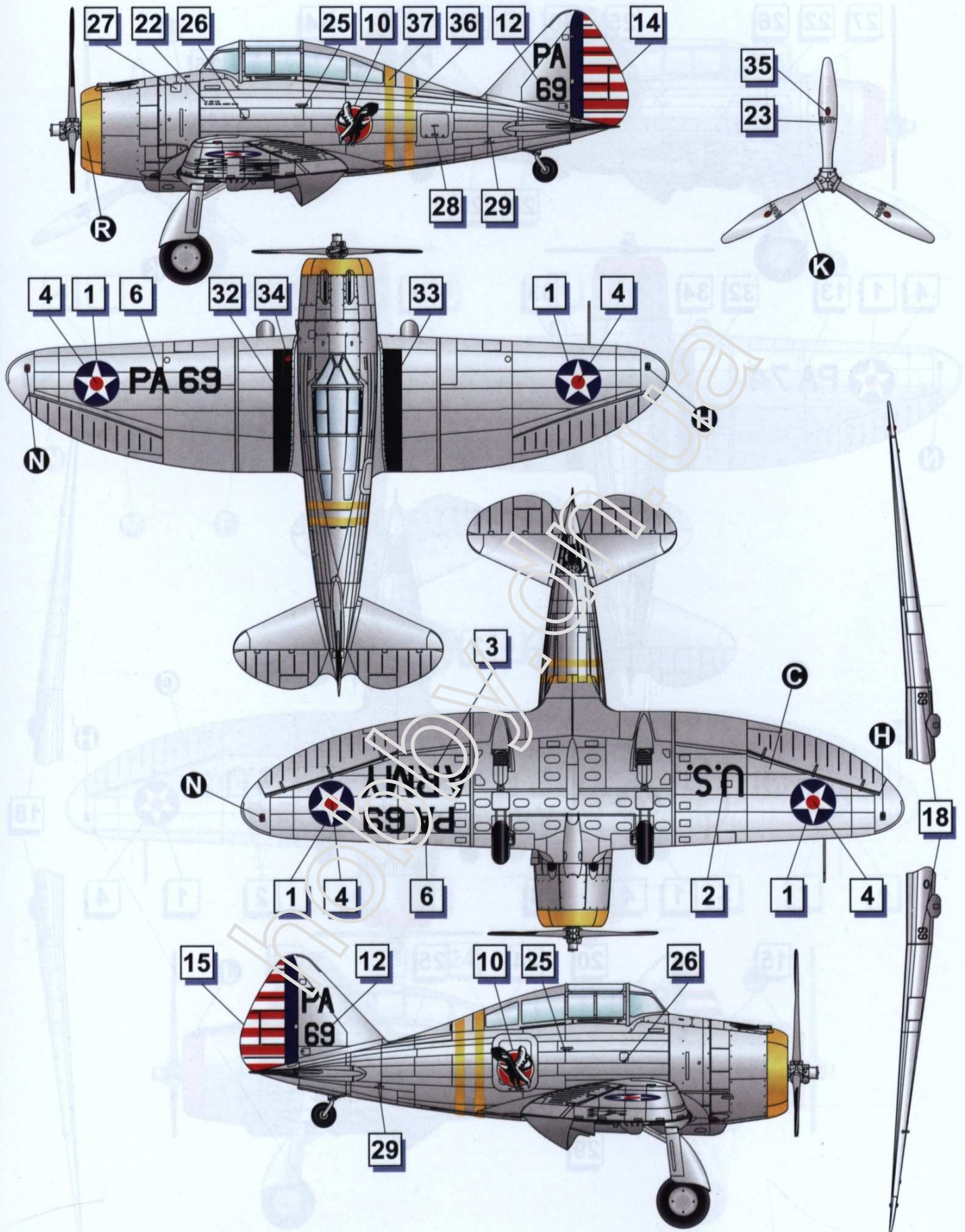


33

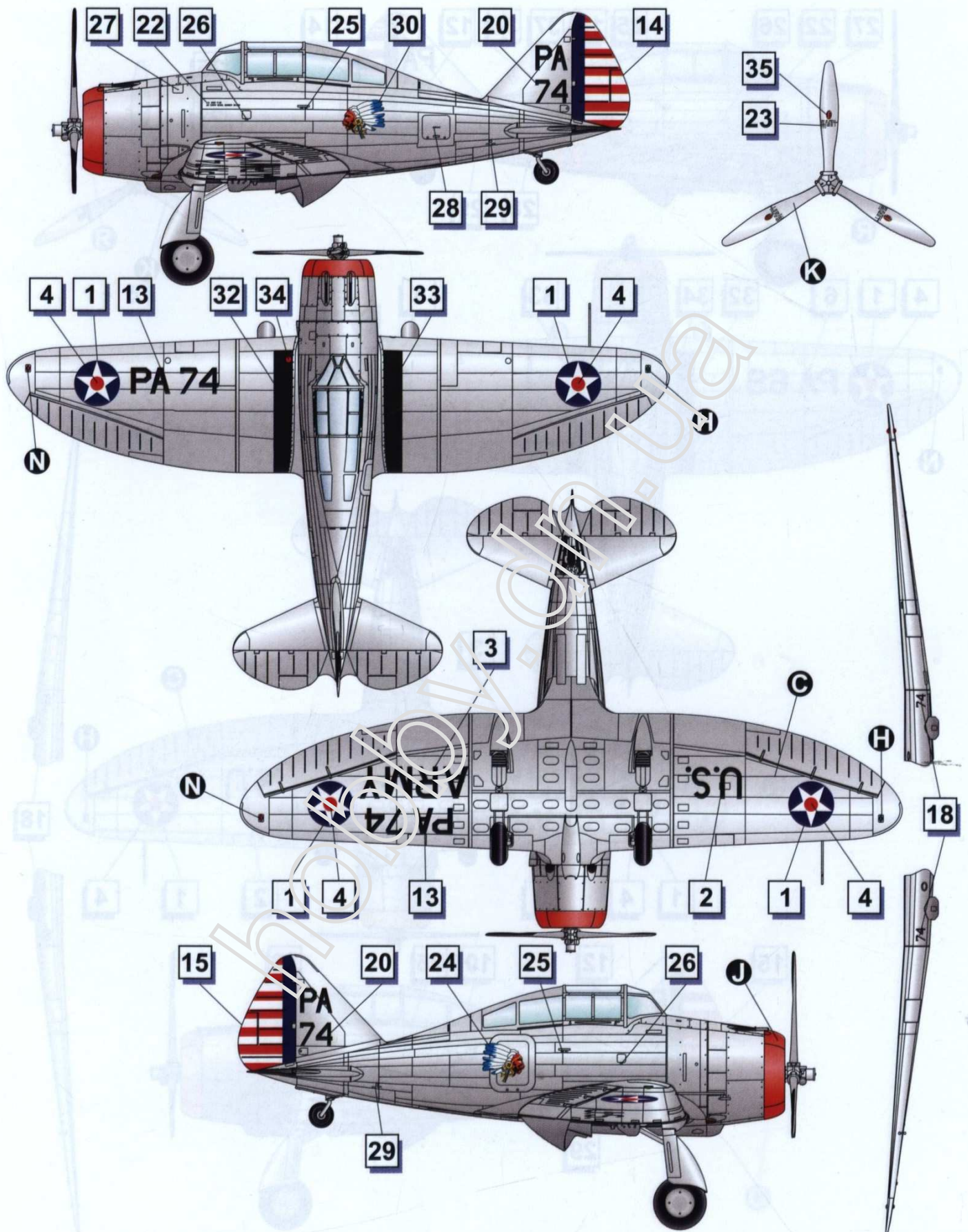




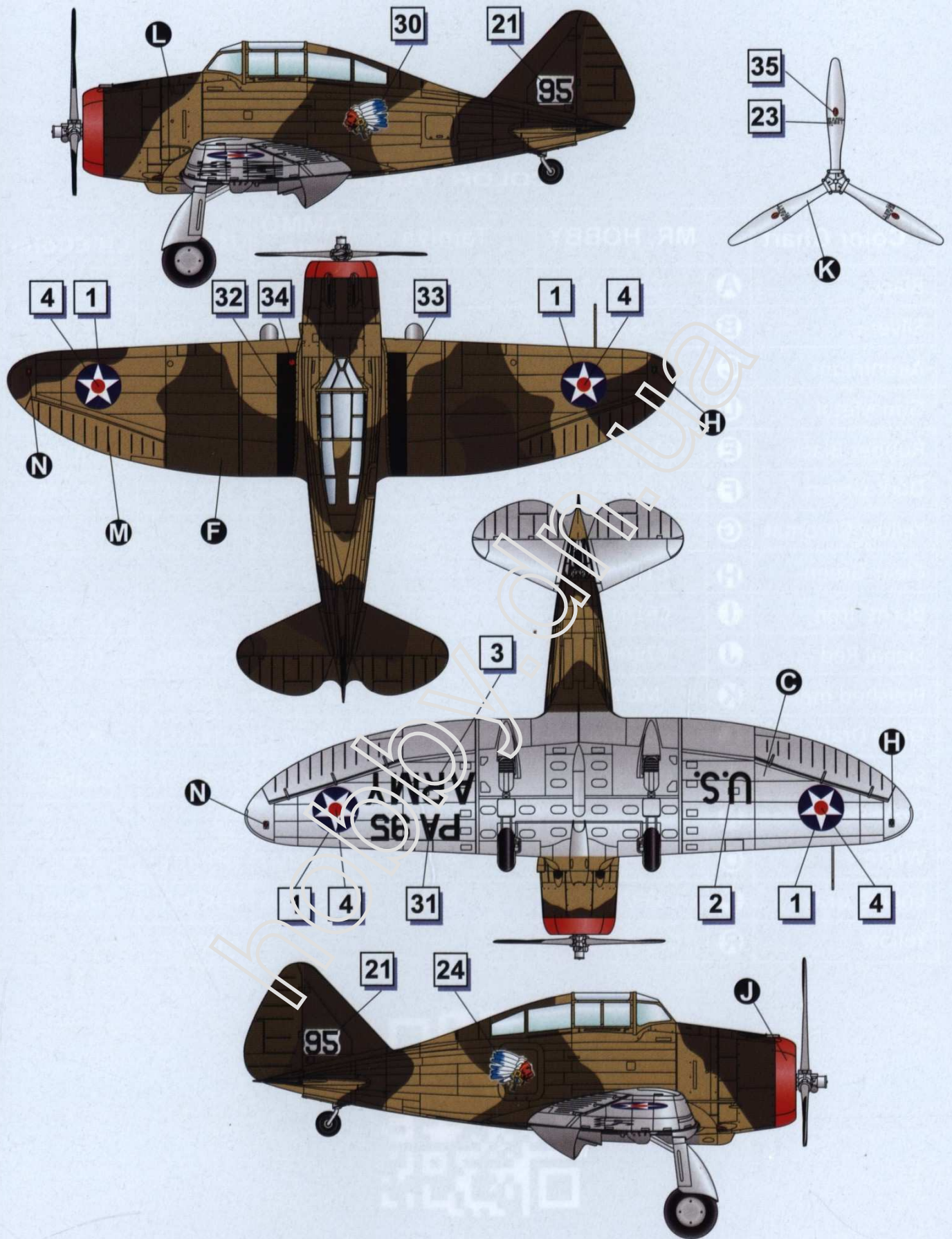
**P-35 PA1 1st PG USAAC, Selfridge, 1938
Group Commander Henry Clagett**



P-35 PA69 27th PS, 1st PG, Selfridge Field, 1938



P-35 PA74 94th PS, 1st PG, Selfridge Field, 1937



P-35 PA95 94th PS, 1940
 War Games at Prope Field

COLOR TABLE

Color Chart		MR. HOBBY	Tamiya	AMMO MIG	Hataka	LIFECOLOR
Black	A	C33/H12	XF-1	MIG 046	HTK 100	LC 02
Silver	B	C8/H8	X-32	MIG 195	HTK B003	LC 74
Aluminium	C	MC 218	XF-16	MIG 194	HTK 078	LC 24
Gun Metal	D	C78/H28	X-10	MIG 045	HTK 106	LC 26
Rubber Black	E	C137/H77	XF-85	MIG 045		UA 733
Dark Green	F	C23/H73	XF-81	MIG 0915	HTK 143	UA 546
Yellow Chromat	G	C352				
Clear Green	H	C138/H94	XF-25	MIG 092		
Burnt Iron	I	C61/H76	XF-25	MIG 187		LC 37
Signal Red	J	C79/H11	XF-51	MIG 049	HTK-103	LC 56
Polished metal	K	MC 211	XF-56	MIG 0192		
Olive Drab	L	C38/H78	XF-62	MIG 0237	HTK 004	UA 005
Sand	M	C39/H79	XF-15	MIG 0038	HTK 090	UA 046
Clear Red	N	C47/H90	XF-27	MIG 093		
White	O	C62/H11	XF-2	MIG 0047	HTK 101	LC 01
Engine Gray	P	C339/H239	XF-2	MIG 0908	HTK 030	UA 030
Yellow	R	C329/H129	X-8		HTK 107	

hobbyonlin



USED SYMBOLS



CEMENT



DON'T CEMENT



REMOVE



SYMMETRICAL



MULTIPLE



BEND



OPEN WHOLE



VARIANTS



TO PAINT