



1/48 SCALE MODEL CONSTRUCTION KIT

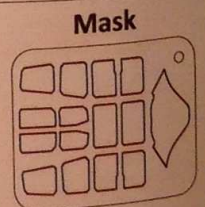
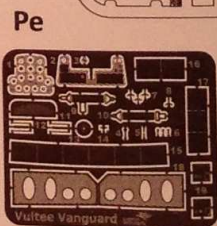
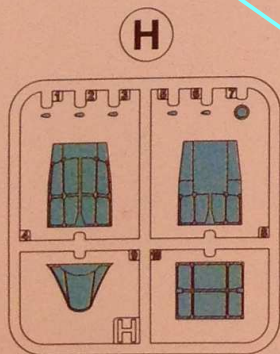
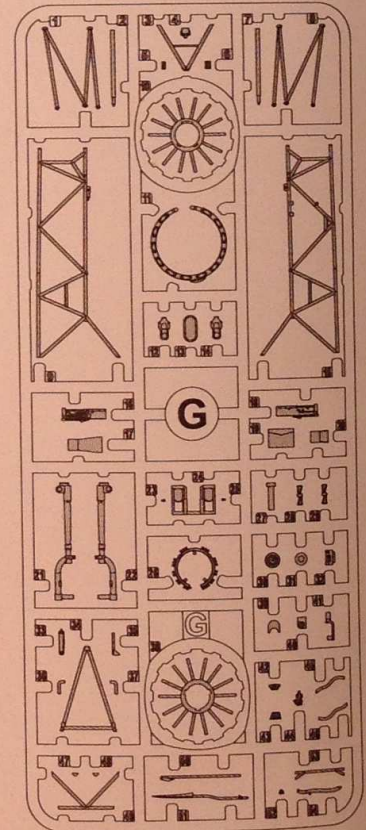
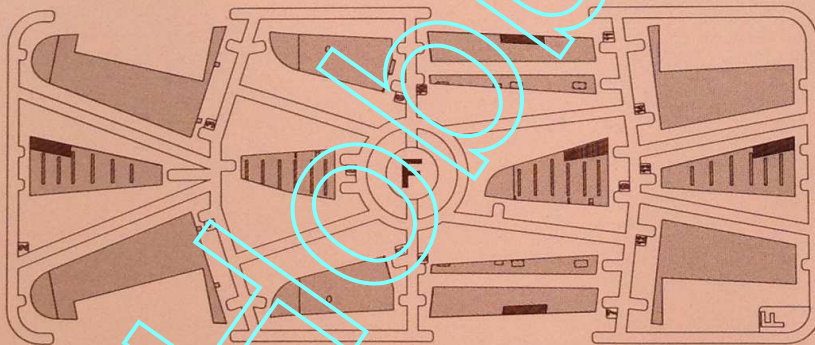
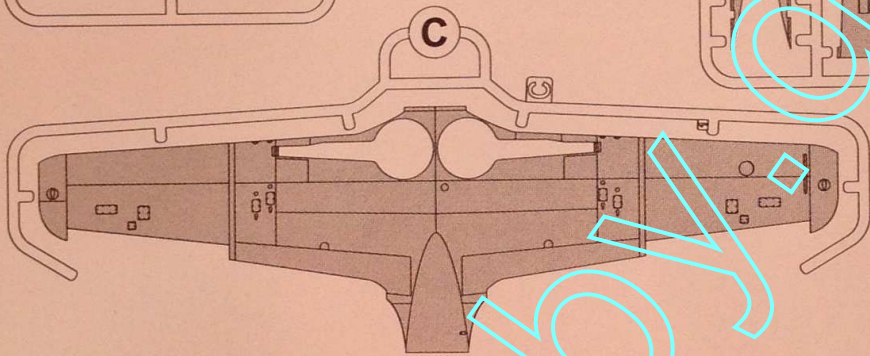
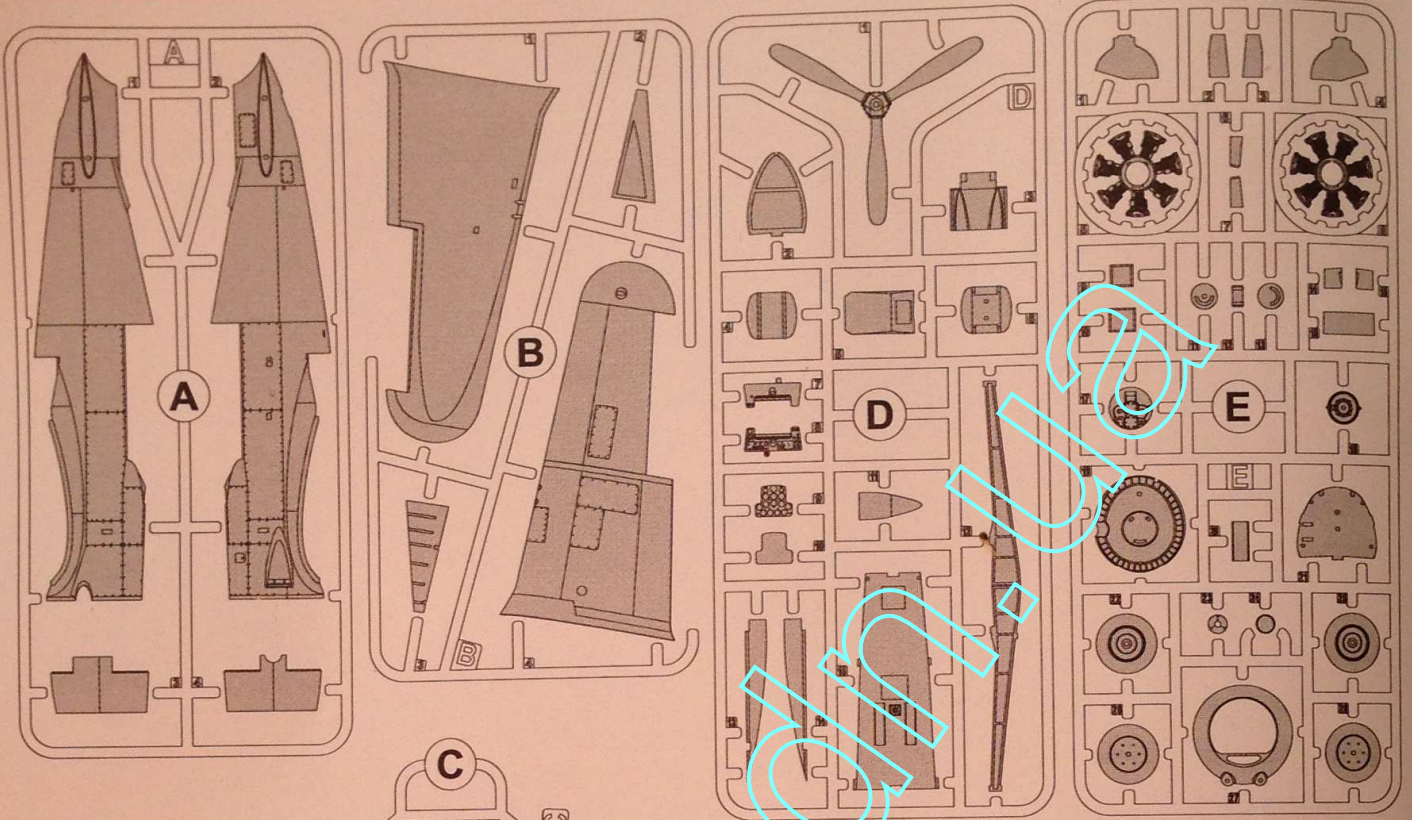


Vulcan Vulture Mk.I J-10

DW 48050

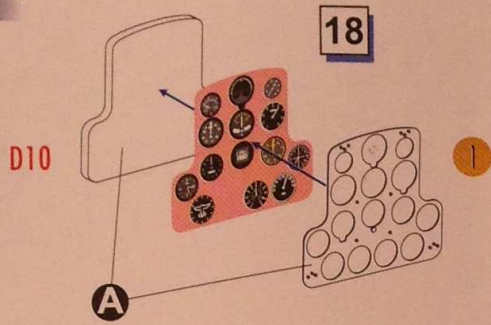
HobbyOnline

PARTS OF THE MODEL

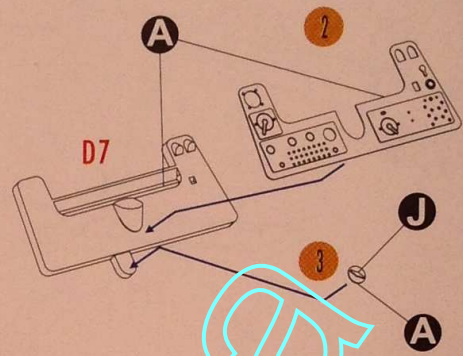


ASSEMBLY INSTRUCTION

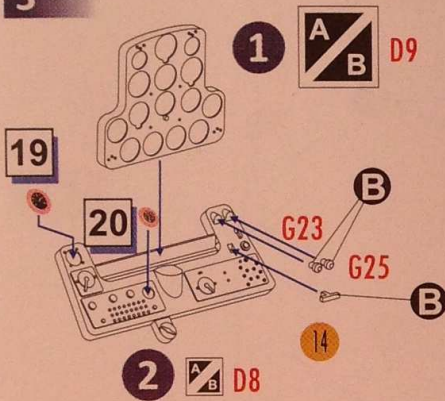
1



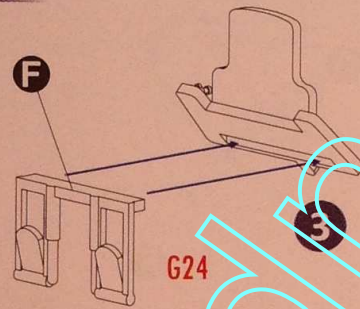
2



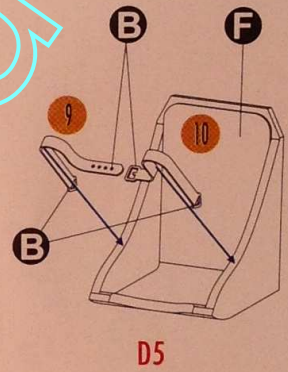
3



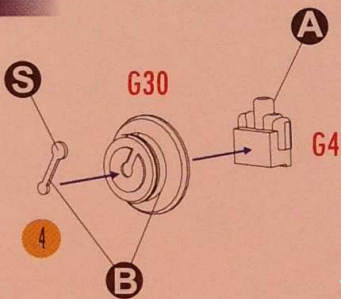
4



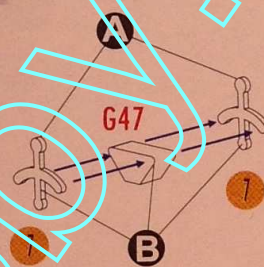
5



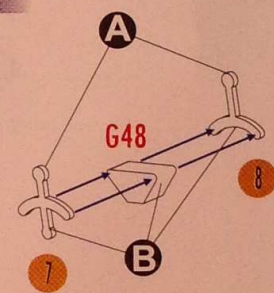
6



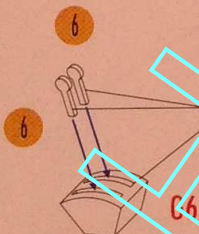
7



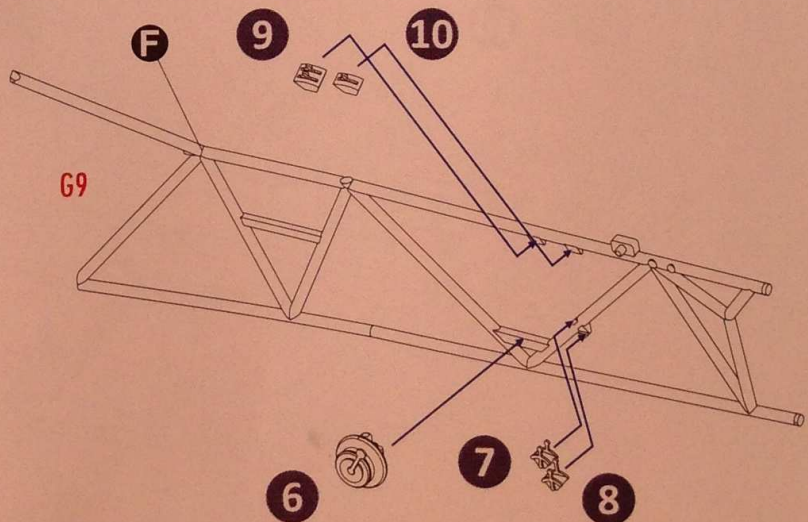
8



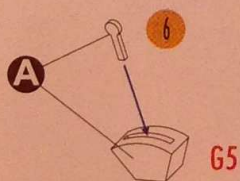
9



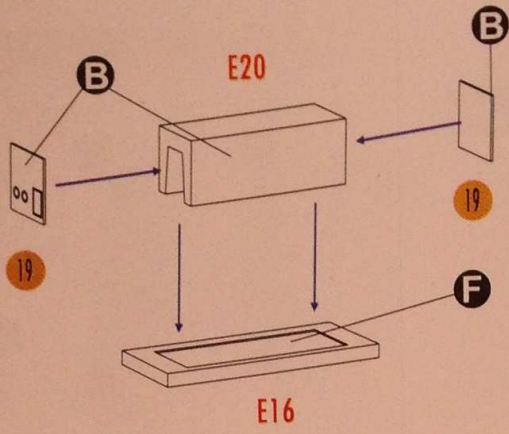
11



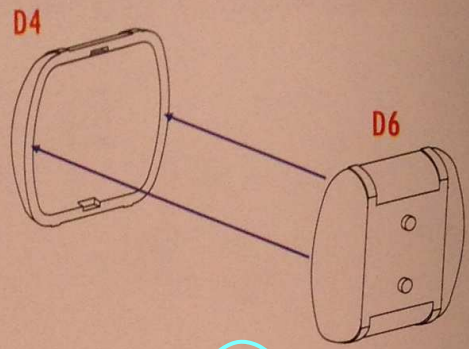
10



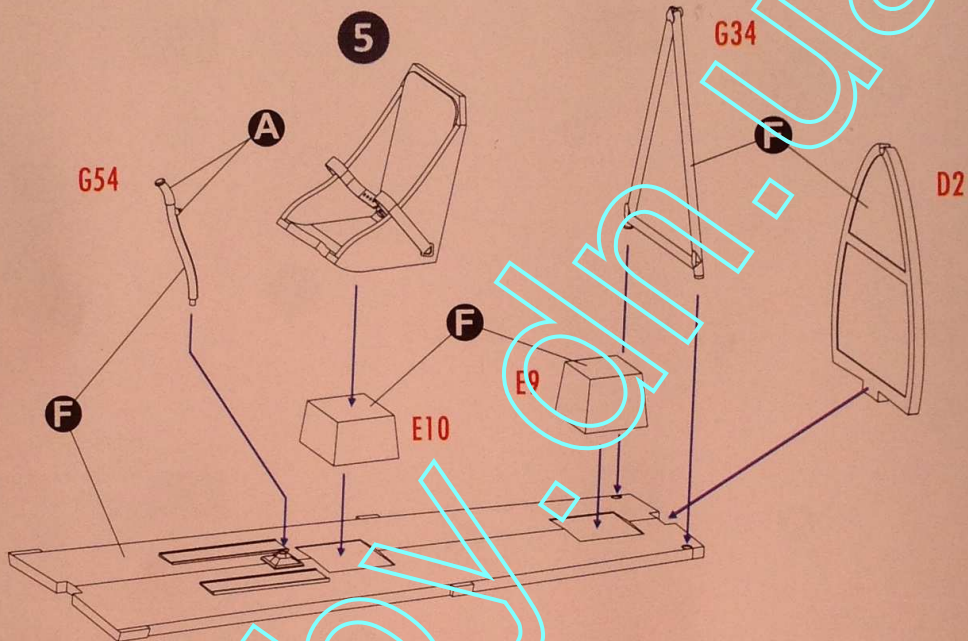
12



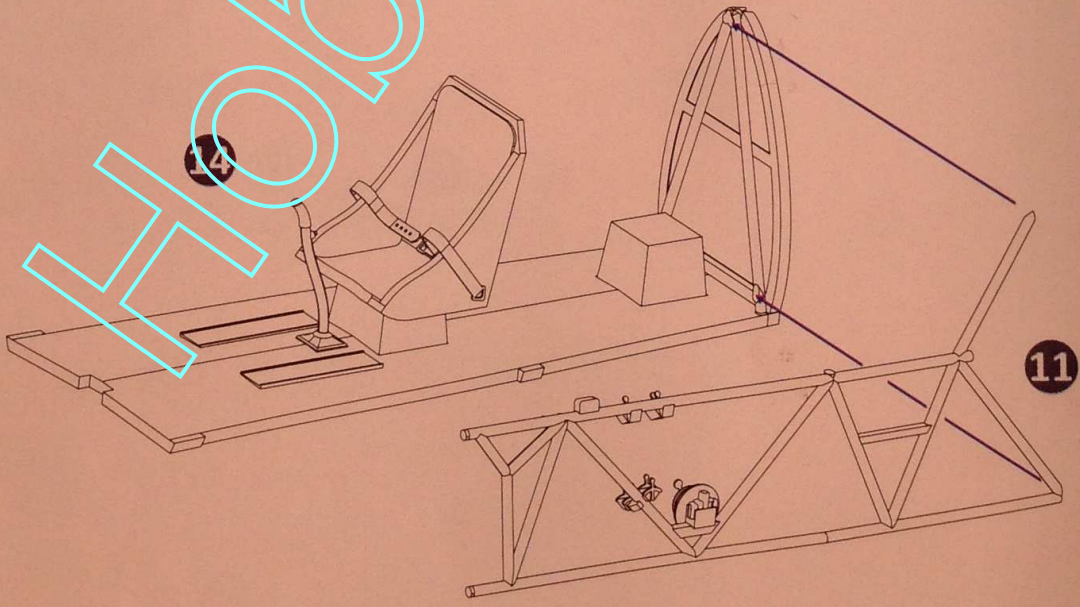
13



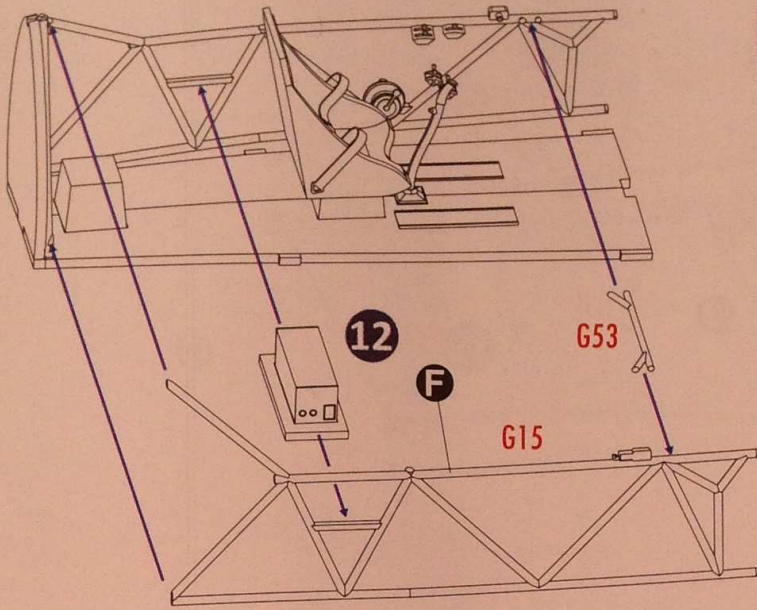
14



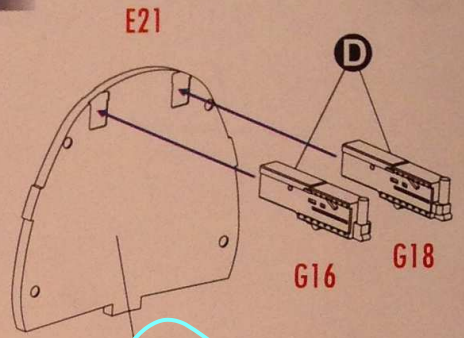
15



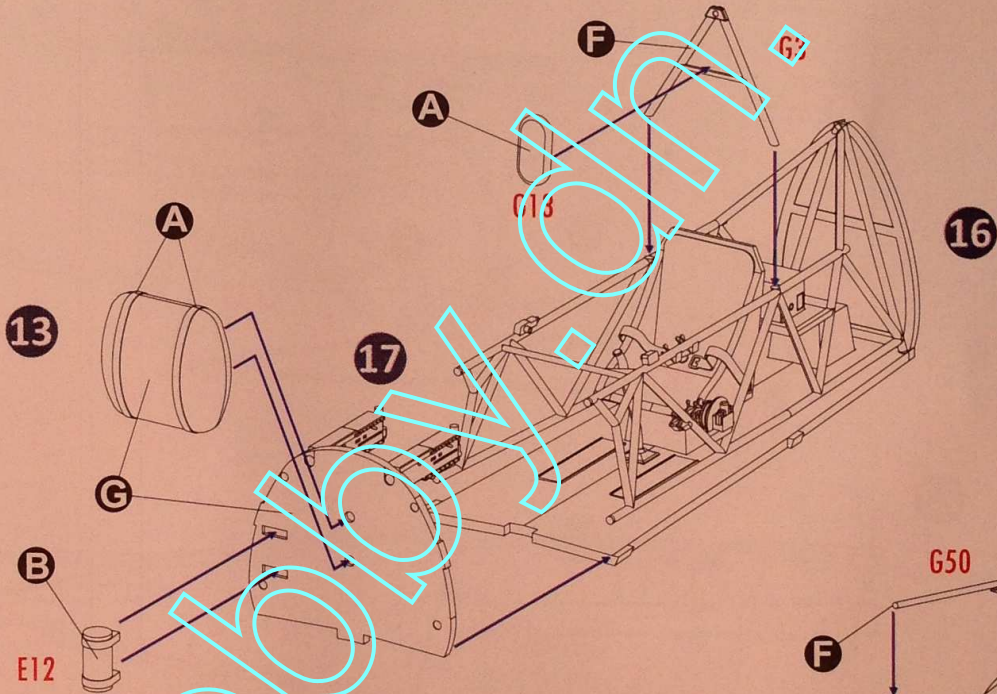
16



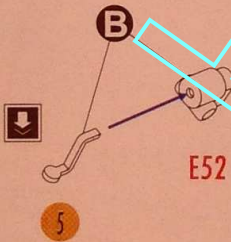
17



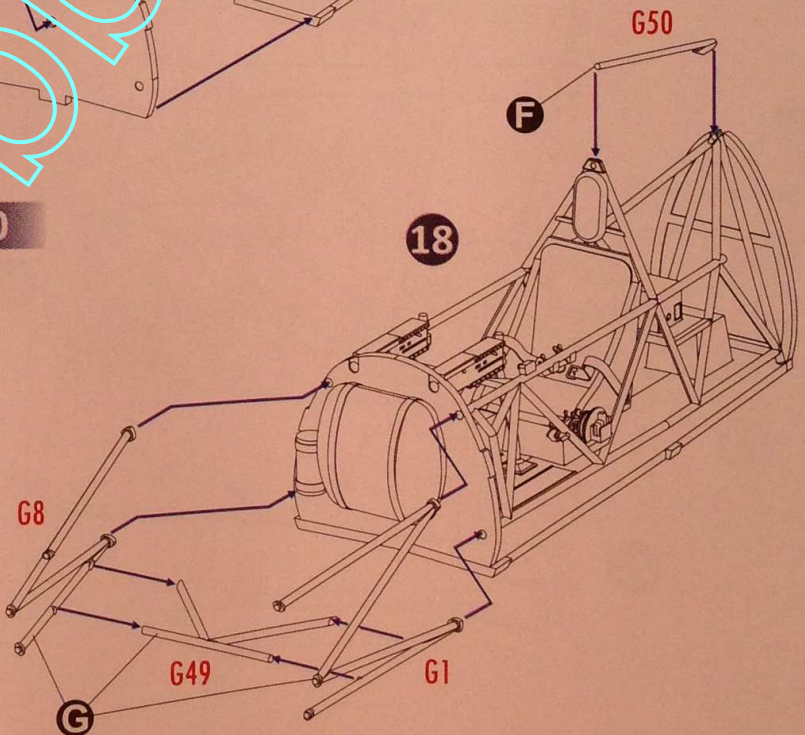
18



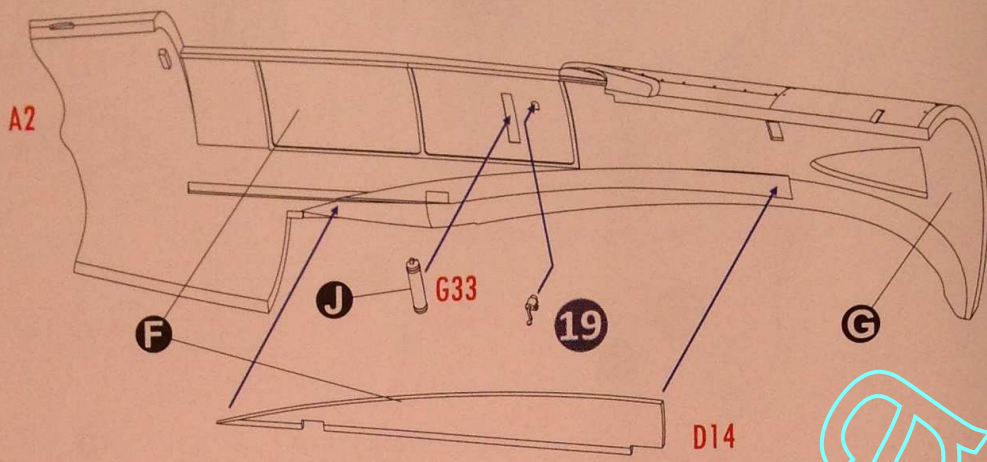
19



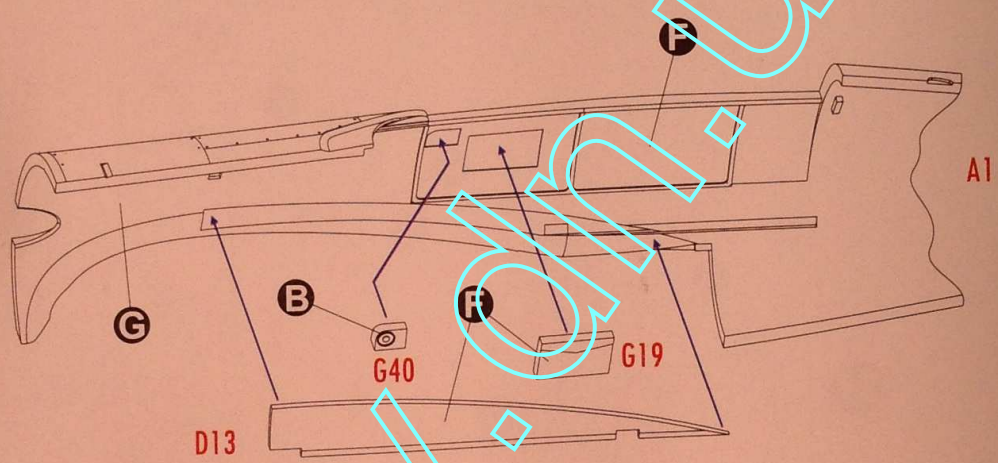
20



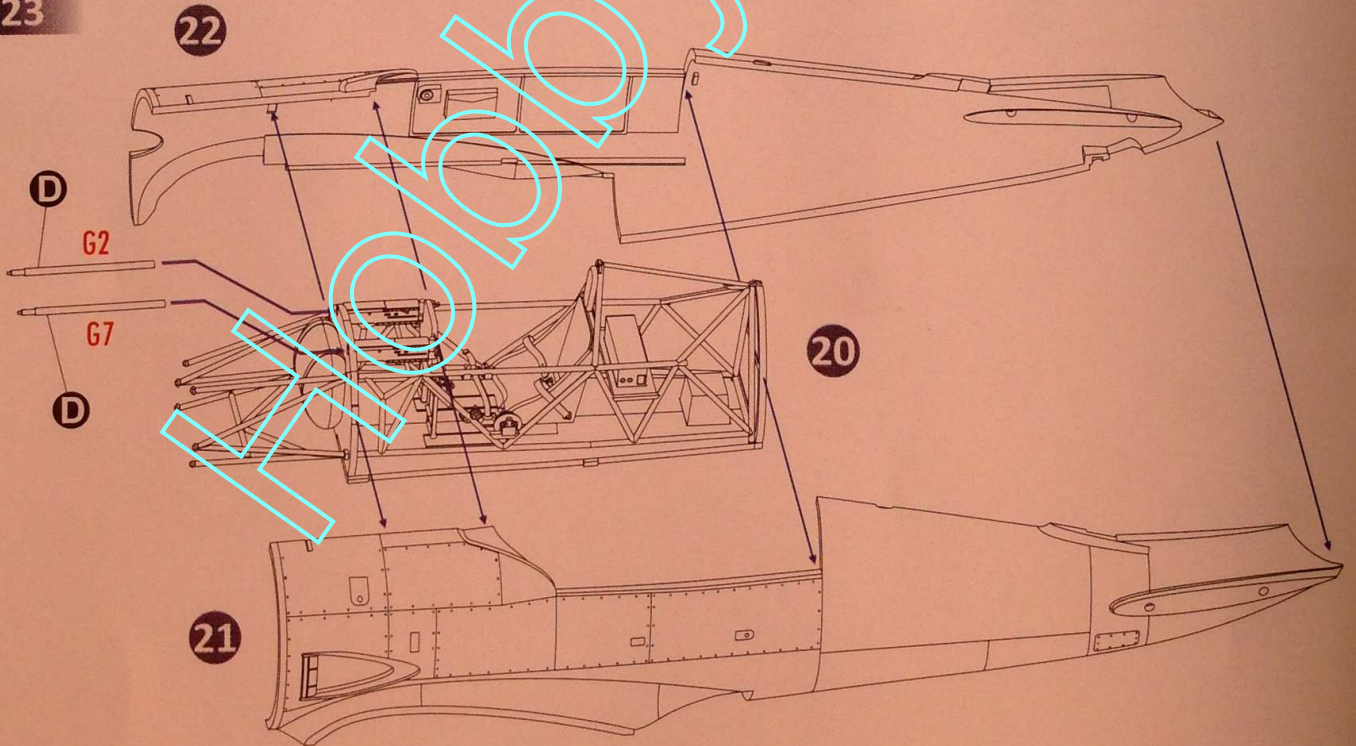
21



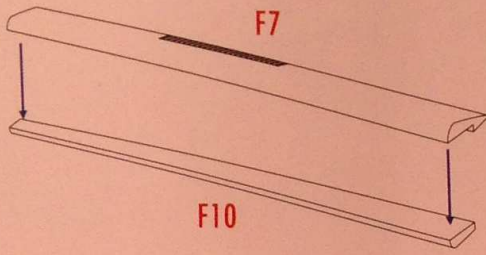
22



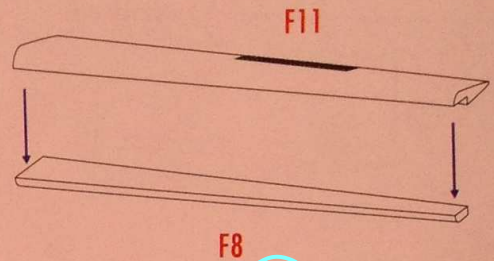
23



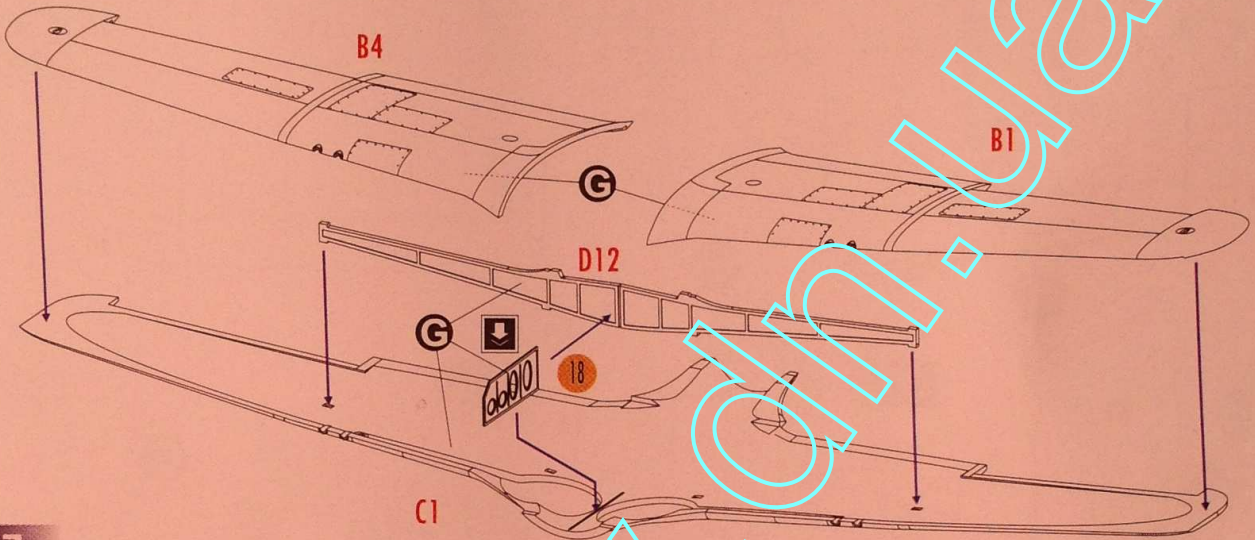
24



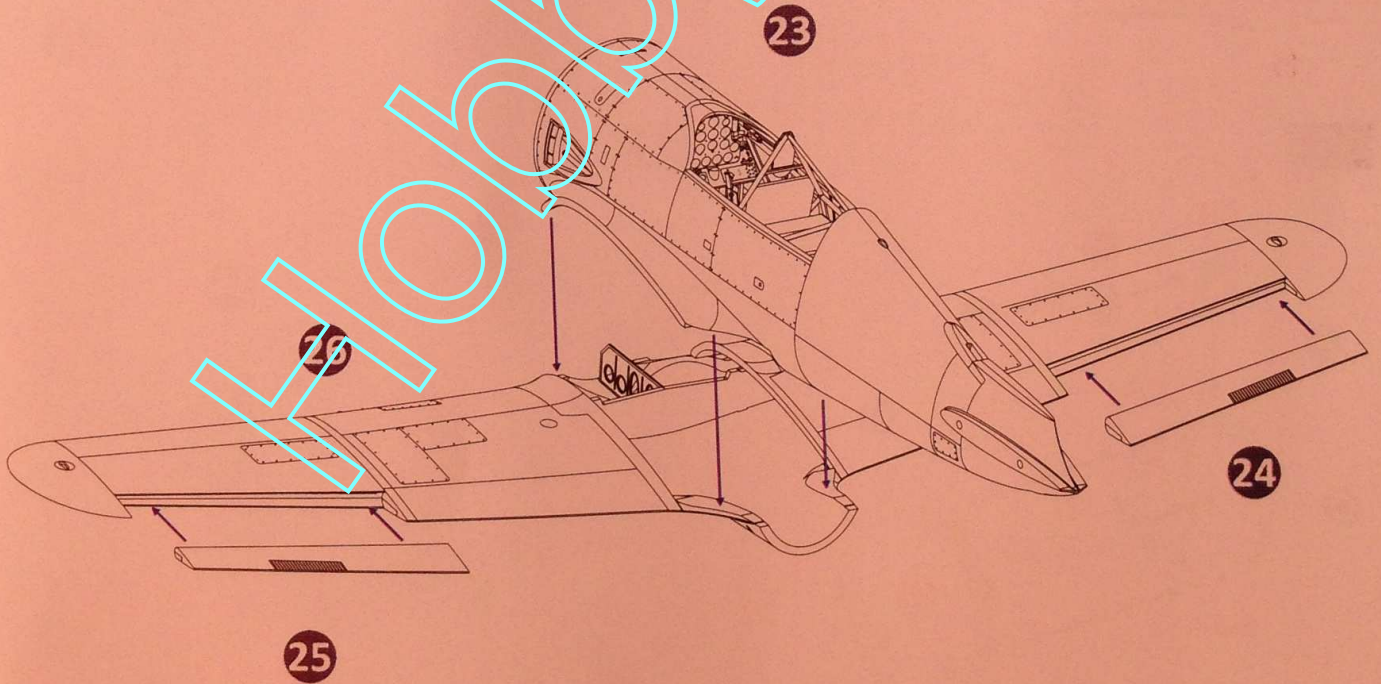
25



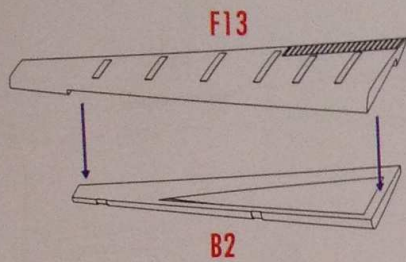
26



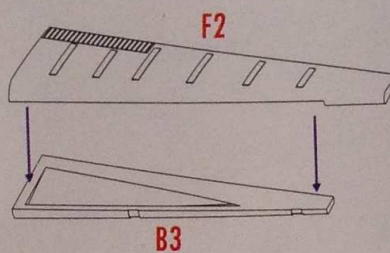
27



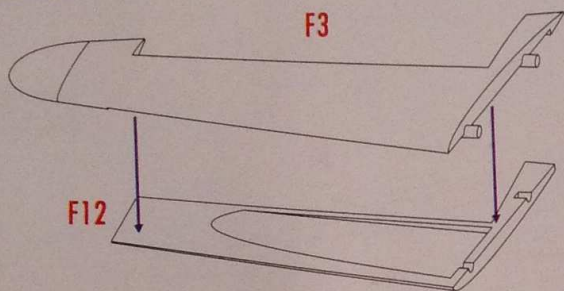
28



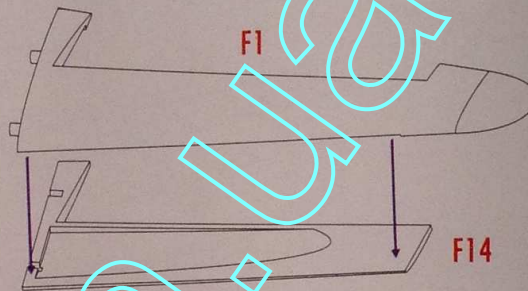
29



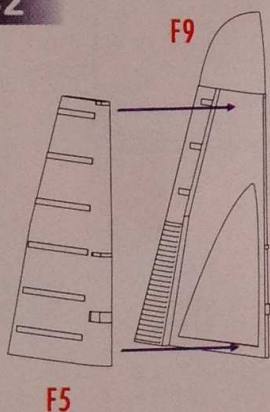
30



31



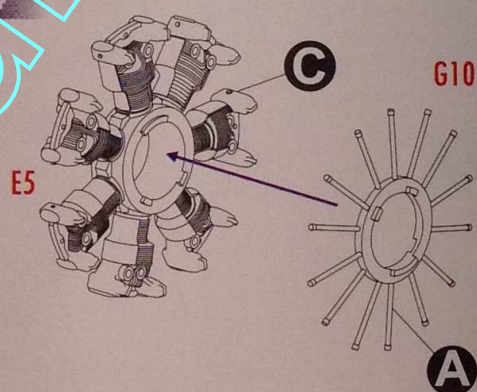
32



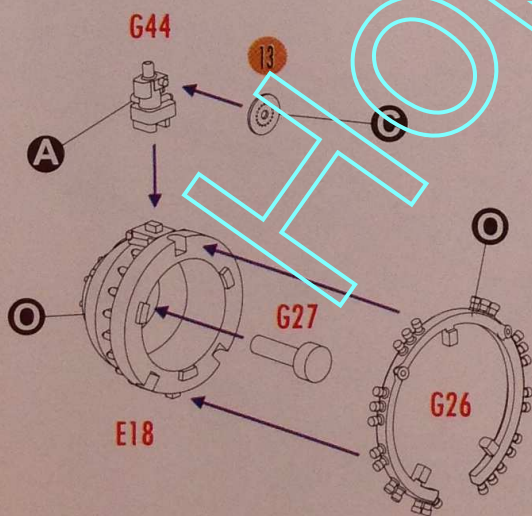
33



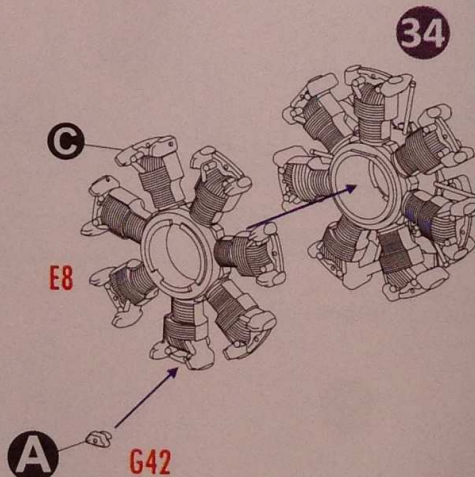
34



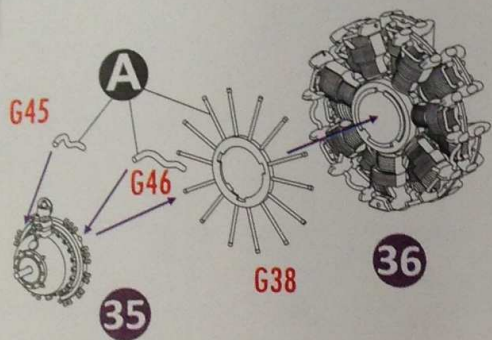
35



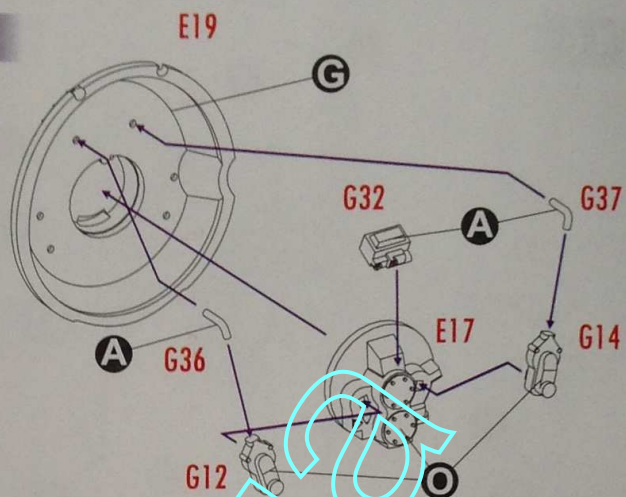
36



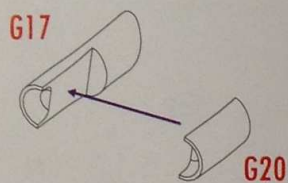
37



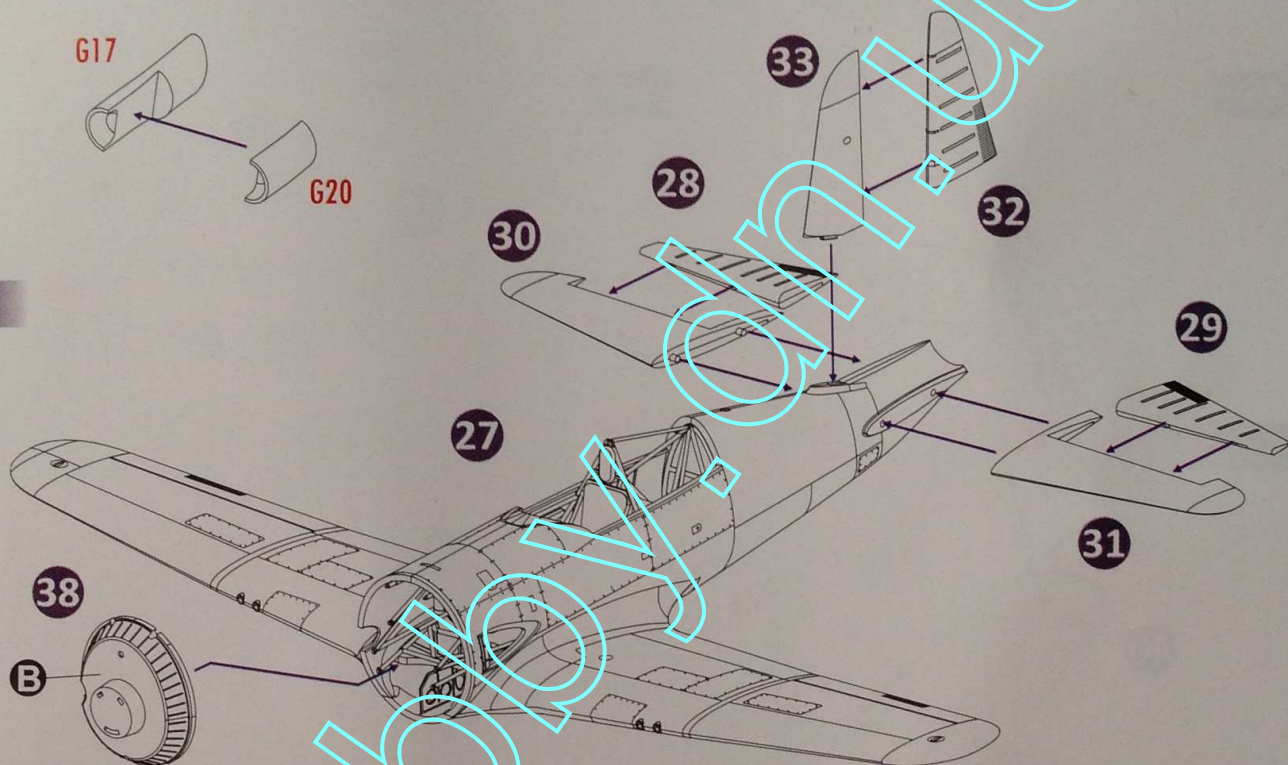
38



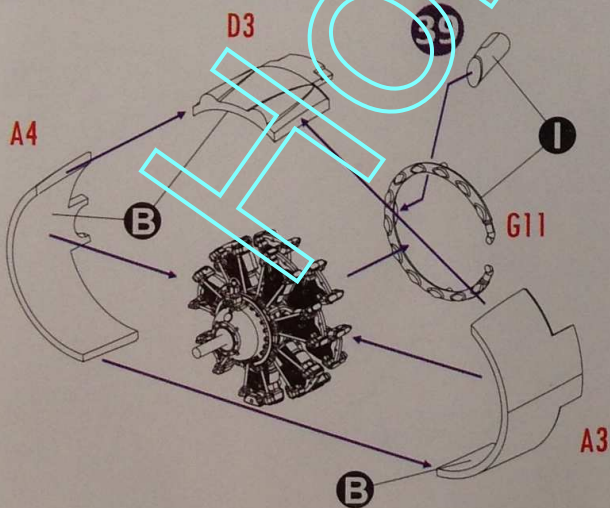
39



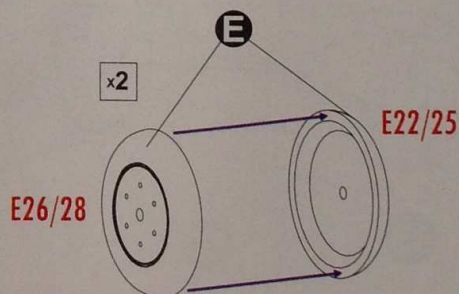
40



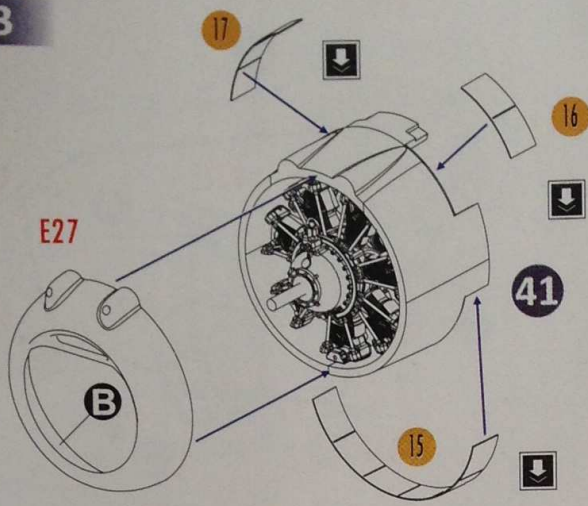
41



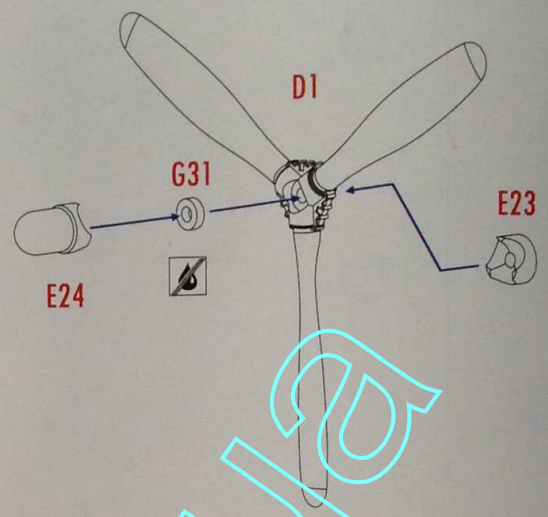
42



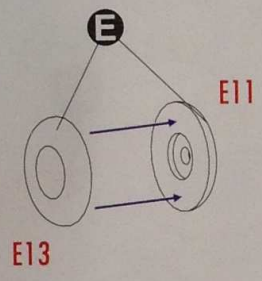
43



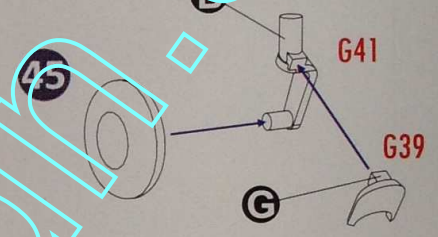
44



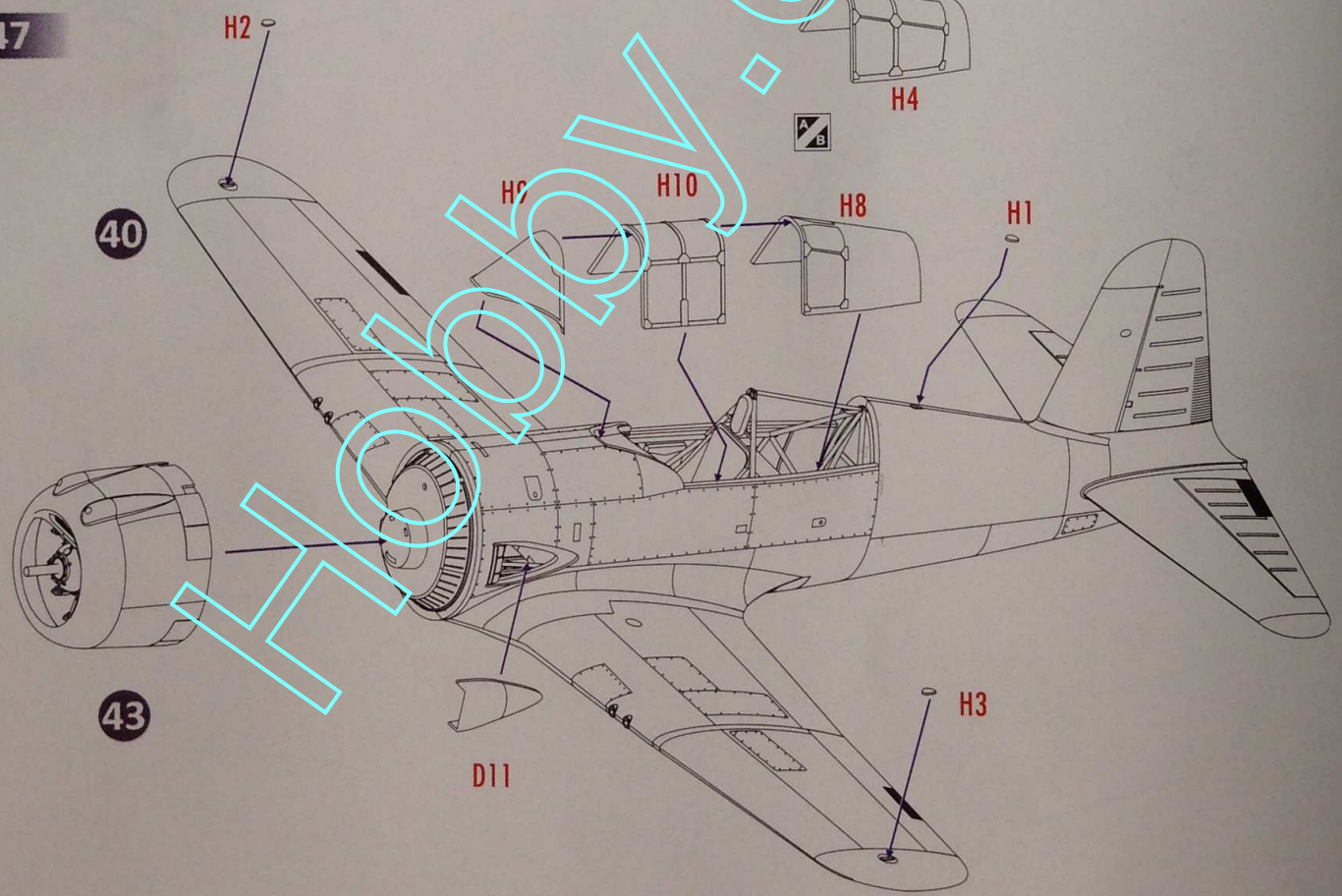
45



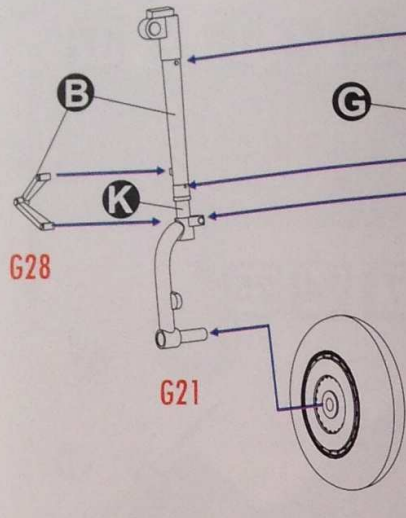
46



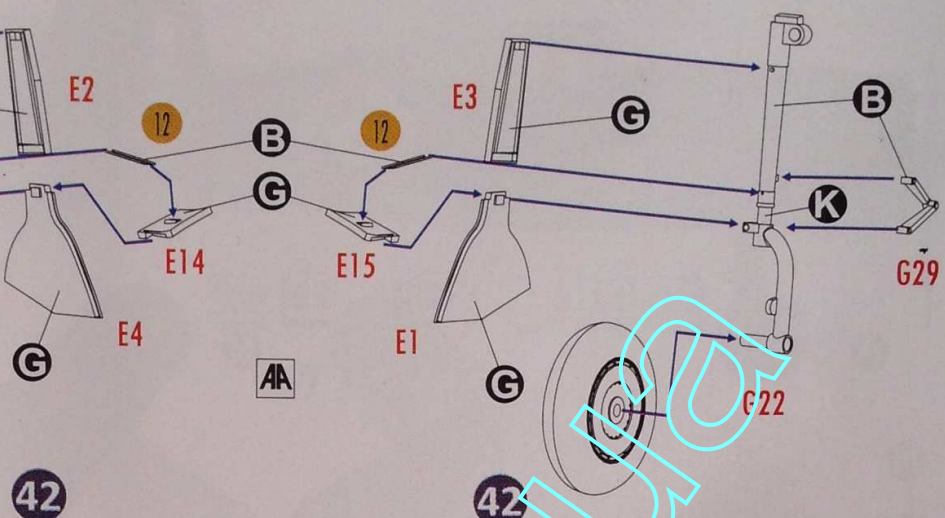
47



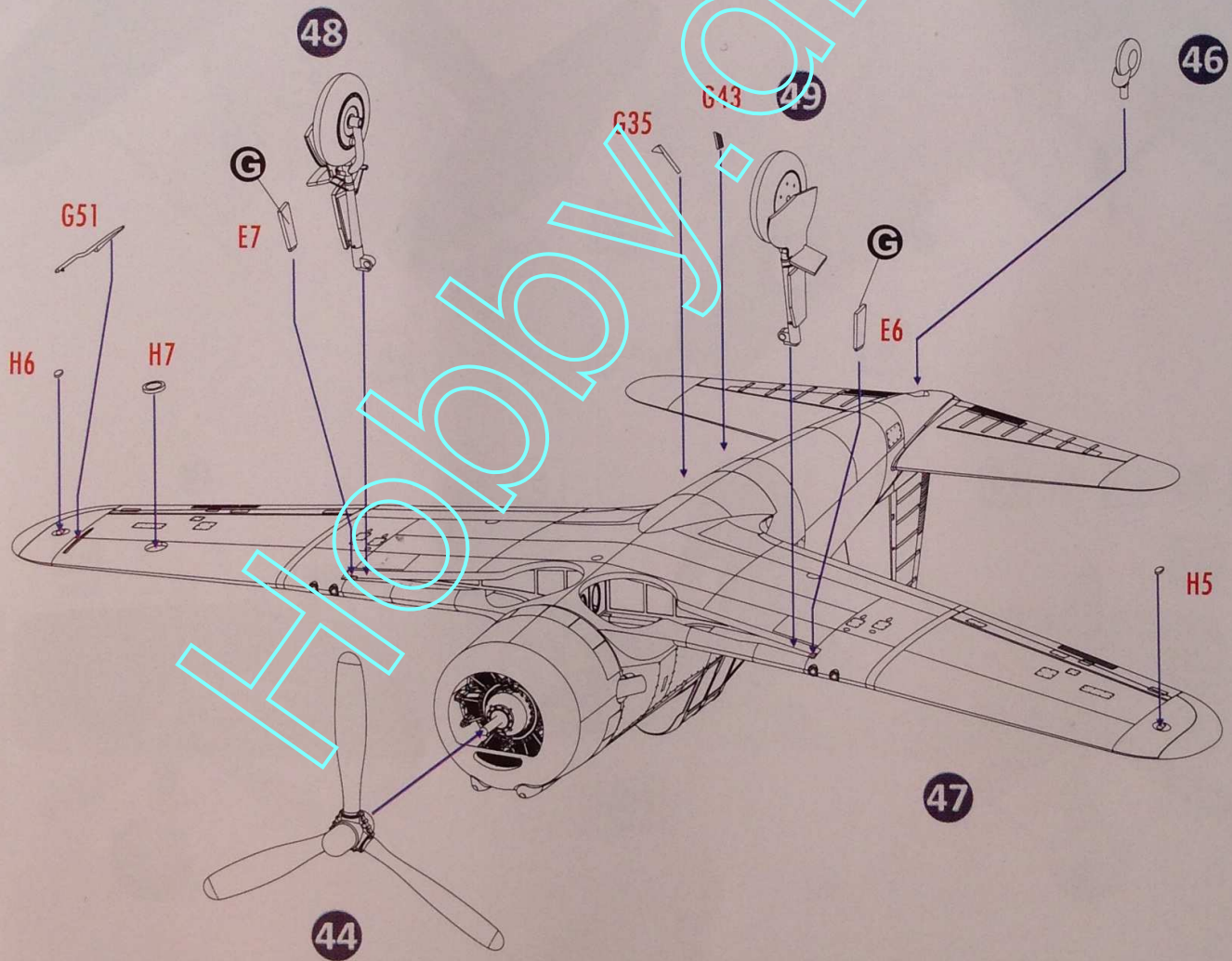
48



49

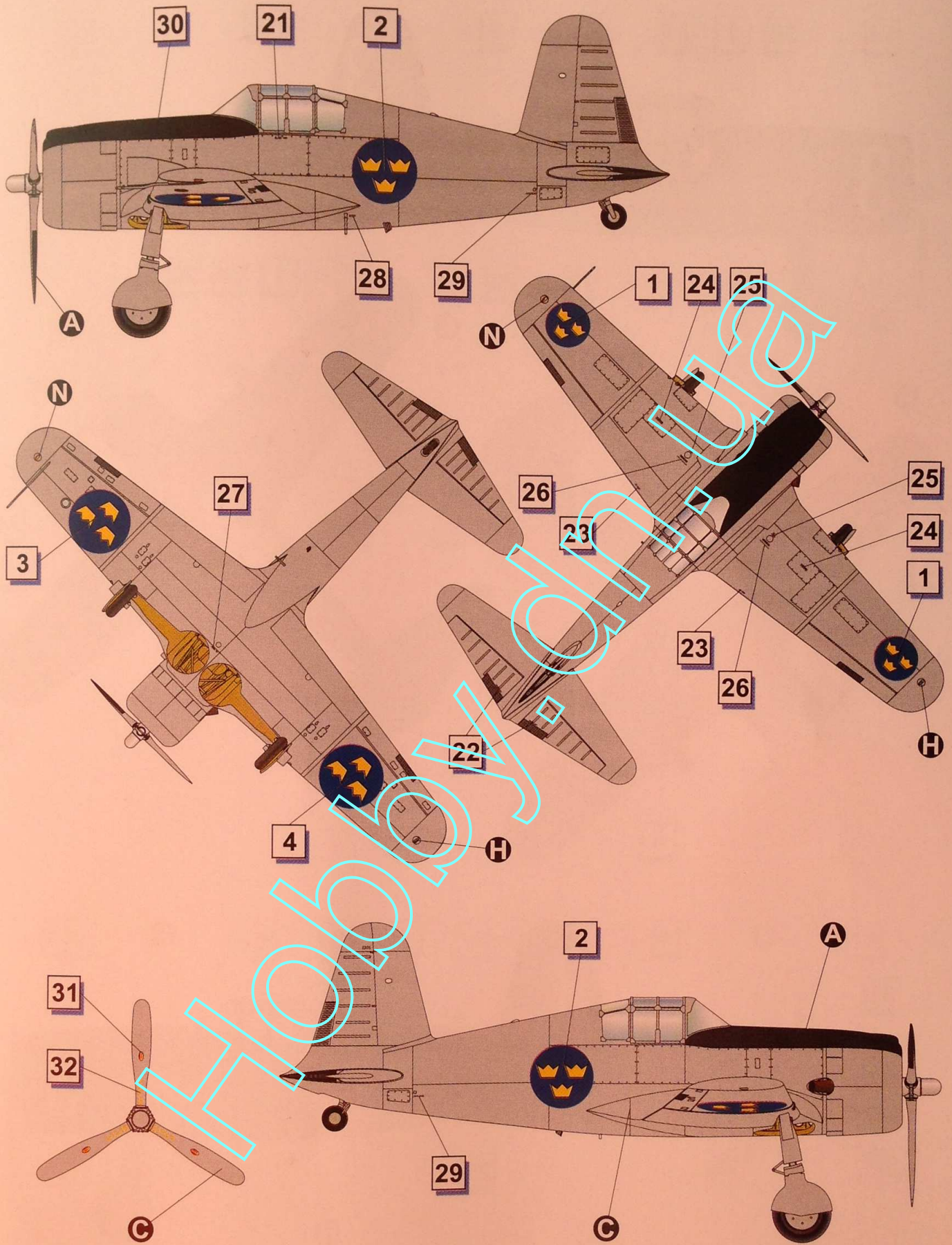


50

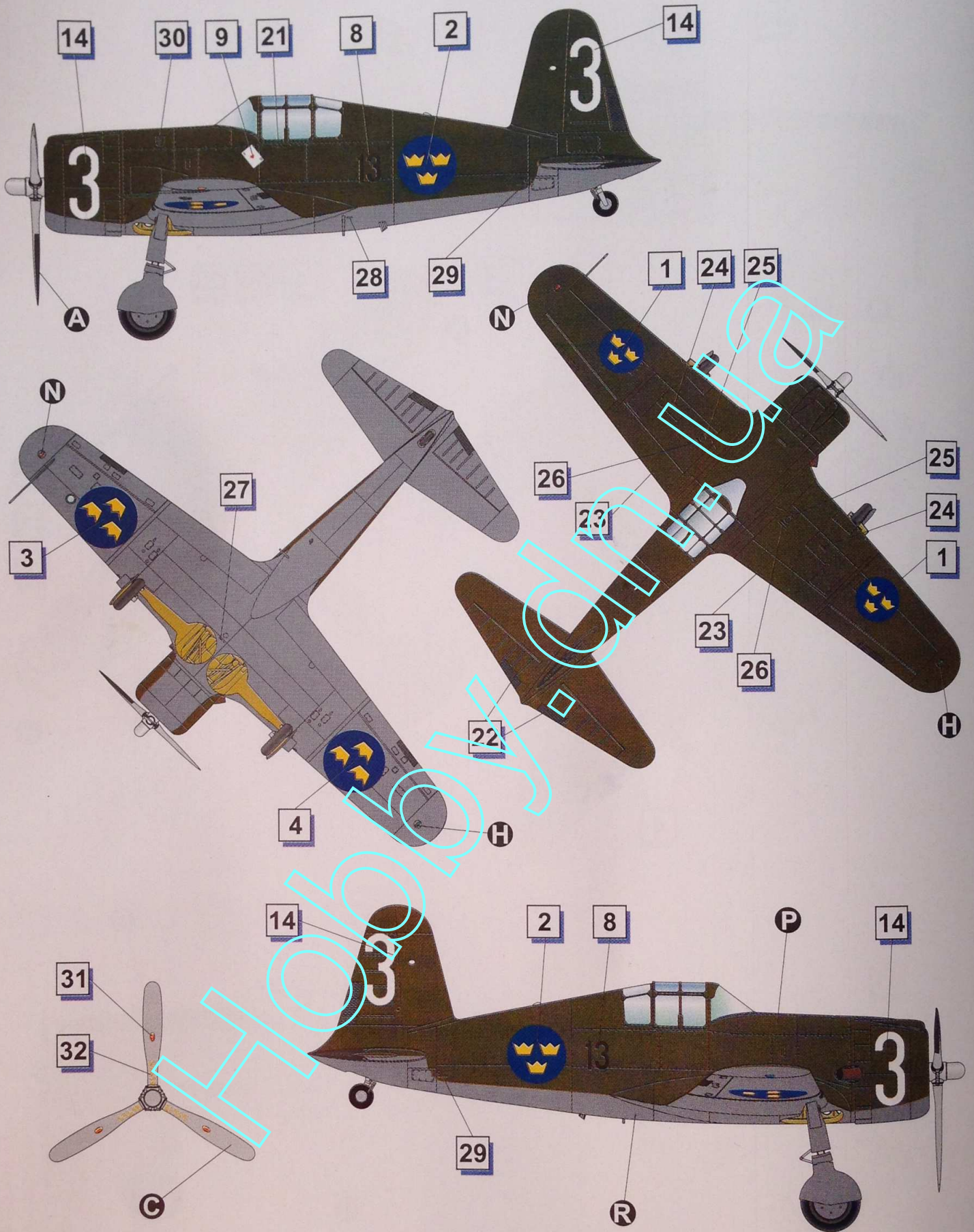




Vultee Vanguard MkI (c/n 502), California, 1940



Vultee J-10 (c/n 501), California, September 1940



Vultee J-10 (c/n 2393), 1 division F 13, Norrkoping 1943. What if



Vultee J-10 (c/n 23103), 3 division F 11, Norrköping 1945. What if

COLOR TABLE

Color Chart		MR. HOBBY	Tamiya	AMMO MIG	Hataka	LIFECOLOR
Black	A	C33/H12	XF-1	MIG 046	HTK 100	LC 02
Silver	B	C8/H8	X-32	MIG 195	HTK B003	LC 74
Aluminium	C	MC 218	XF-16	MIG 194	HTK 078	LC 24
Gun Metal	D	C78/H28	X-10	MIG 045	HTK 106	LC 26
Rubber Black	E	C137/H77	XF-85	MIG 035		UA 733
Interior Green	F	C351/H58		MIG 0220	HTK 211	UA 004
Yellow Chromat	G	C352				
Clear Green	H	C138/H94	XF-25	MIG 092		
Burnt Iron	I	C61/H76	XF-25	MIG 187		LC 37
Signal Red	J	C79/H11	XF-2	MIG 049	HTK-103	LC 56
Polished metal	K	MC 211	XF-56	MIG 0192		
RAF Dark Earth	L	C369/H72			HTK-009	UA-547
RAF Dark Green	M	C330/H330	XF-81	MIG 915	HTK 143	UA 546
Clear Red	N	C47/H90	XF-27	MIG 093		
Engine Gray	O	C339/H339	XF-2	MIG 0908	HTK 030	UA 030
Olive Green	P	C309/H309	XF-69		HTK 016	UA 001
Neutral Gray	R	C13/H53		MIG 0239	HTK 033	UA 046
White	S	C62/H111	XF-2	MIG 0047	HTK 101	LC 01
RAF Sky	T	C368			HTK-234	UA-550



USED SYMBOLS



CEMENT



DON'T CEMENT



REMOVE



SYMMETRICAL



MULTIPLE



BEND



OPEN WHOLE



VARIANTS



TO PAINT