

DW 72002



# Percival Vega Gull

## in civil service

1/72 SCALE MODEL CONSTRUCTION KIT

Ready to assemble scale models kit.

Contains part for one model.

Model length: 112 mm

Wingspan: 168 mm

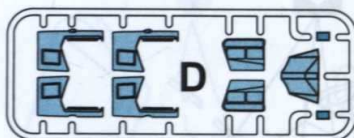
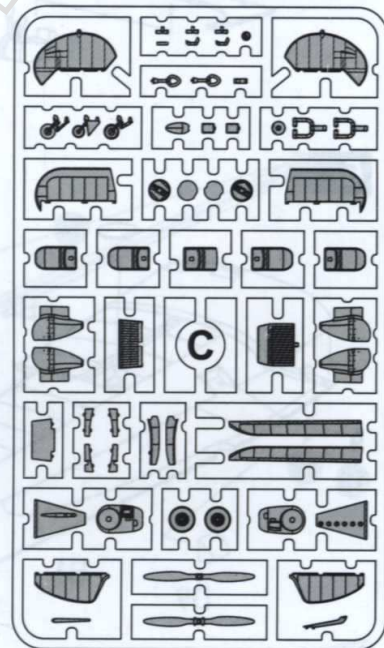
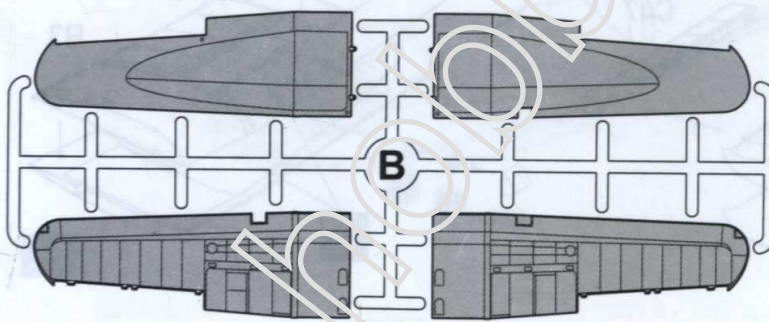
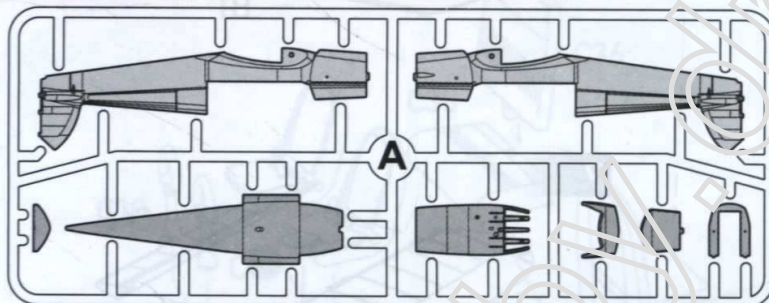
Plastic parts: 57

Photoetched parts: 47

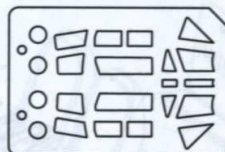
The Vega Gull was widely used by British and Commonwealth aviators during the later years of the "Golden Age" of record-setting aviation during the 1930s. Alex Henshaw, Jim Mollison, Amy Johnson, Beryl Markham, C.W.A. Scott and others, won races and broke records to South Africa, South America, Australia and New Zealand, to name but a few.

The Percival Vega Gull model was created on the basis of the original drawings, which were given to the company of Dora Wings by **Mr. John Adams (Aeroclub company)**. He also advised the designers of the company, and provided every help. The team of Dora Wings expresses great gratitude to John Adams for help and advice. You're the man John!

### PARTS OF THE MODEL



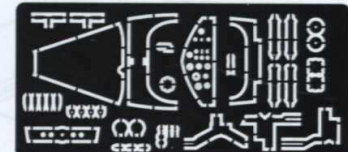
Mask



Film



PE



### USED SYMBOLS



CEMENT



DON'T CEMENT



REMOVE



SYMMETRICAL



MULTIPLE



BEND



OPEN WHOLE



VARIANTS



TO PAINT

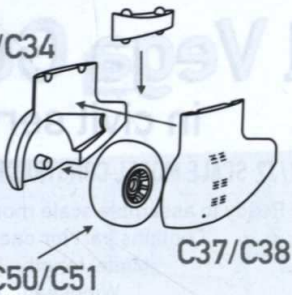
Percival Vega Gull civil

1

x2

C40/C42

C33/C34

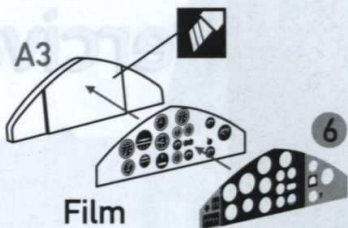


2

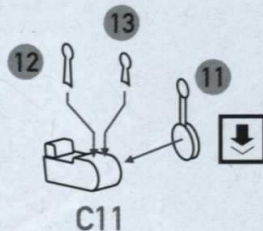
A3

Film

6



3

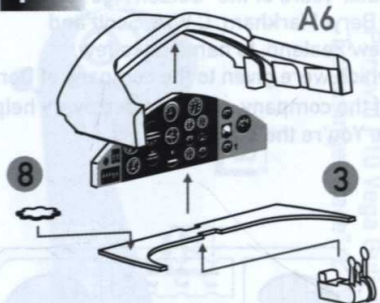


4

A6

8

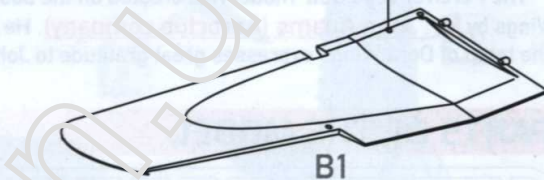
3



5

AA

B1



6

14

B4

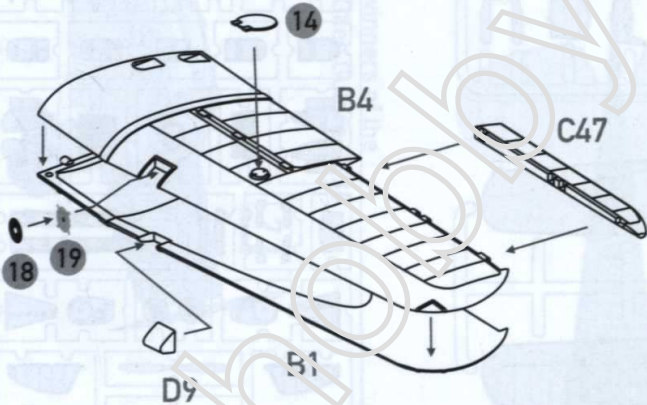
C47

18

19

D9

B1



7

C46

14

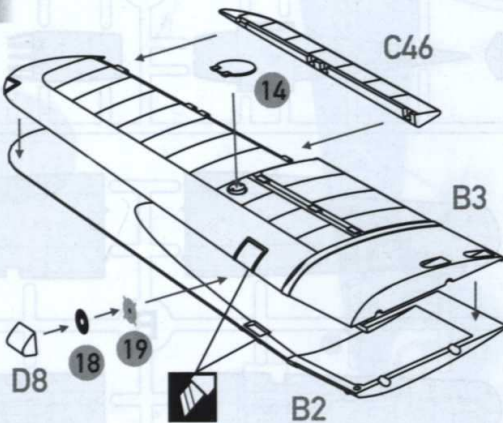
B3

D8

18

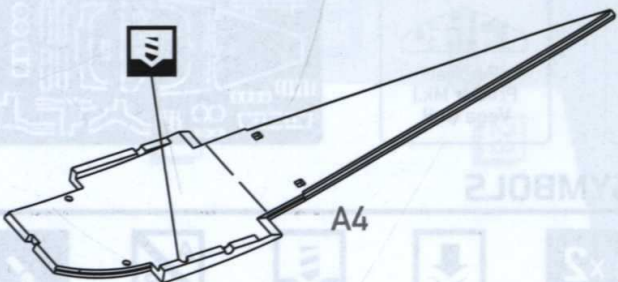
19

B2



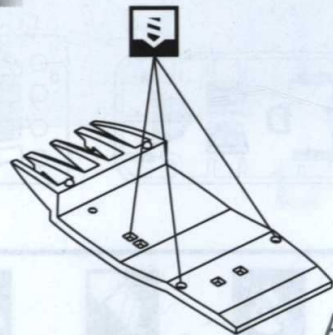
8

A4



9

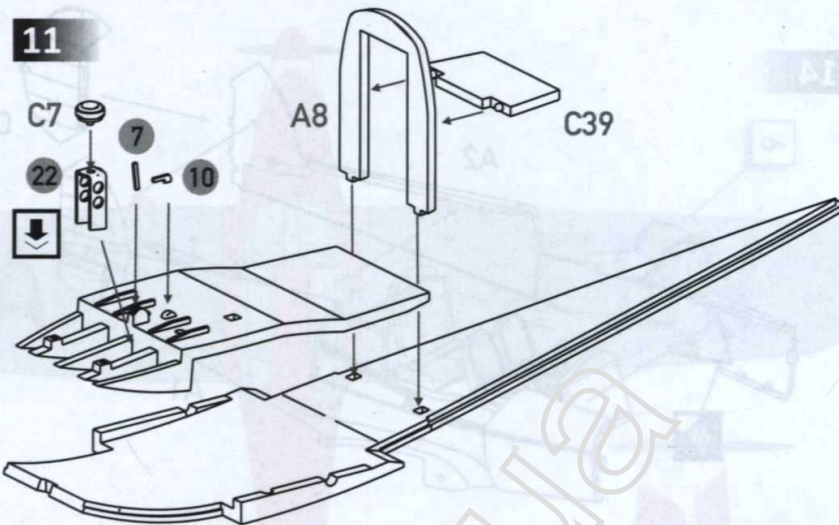
A5



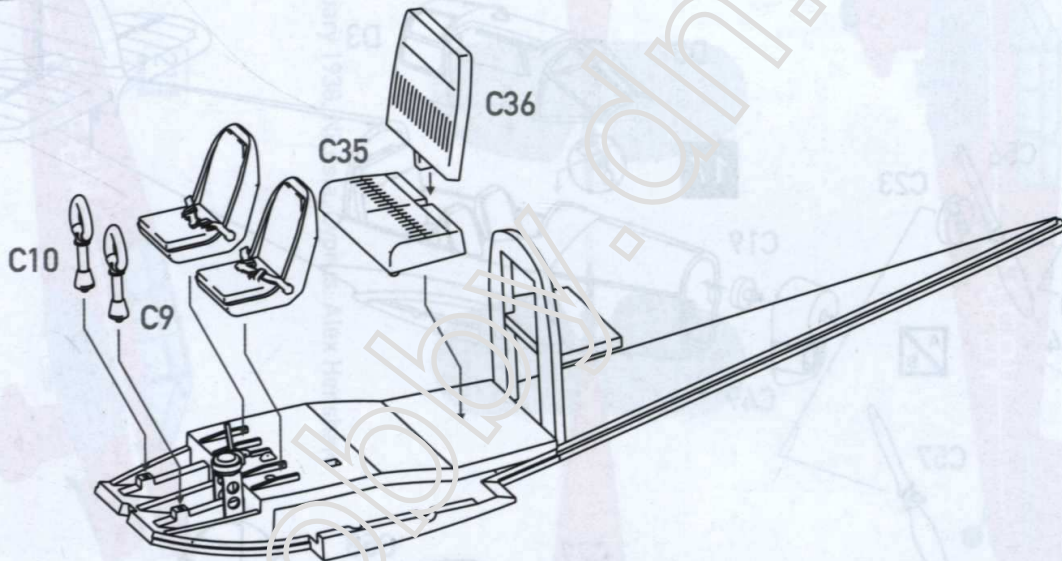
10 x2



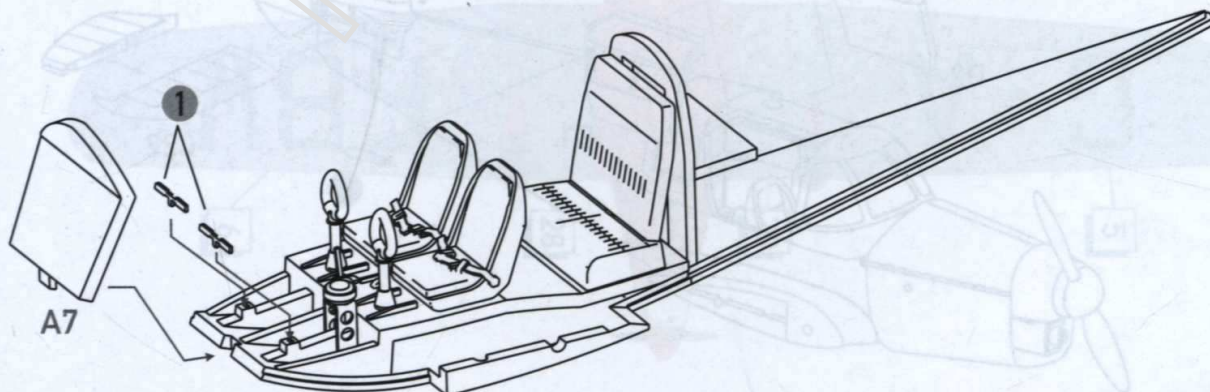
11



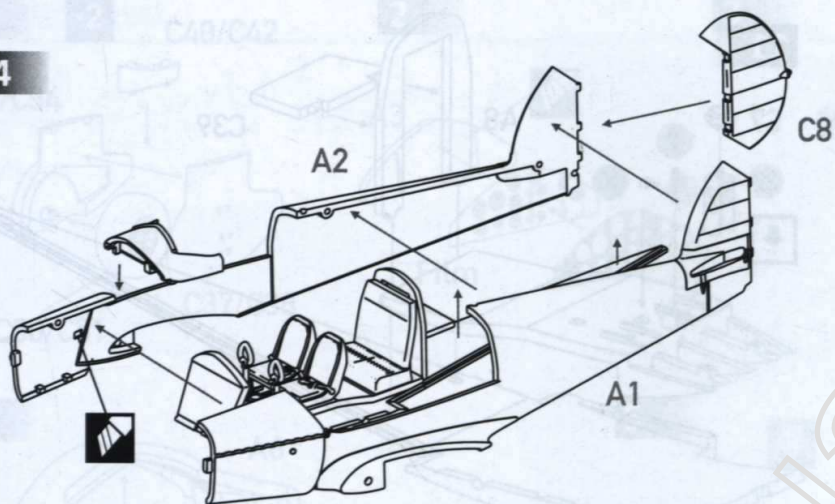
12



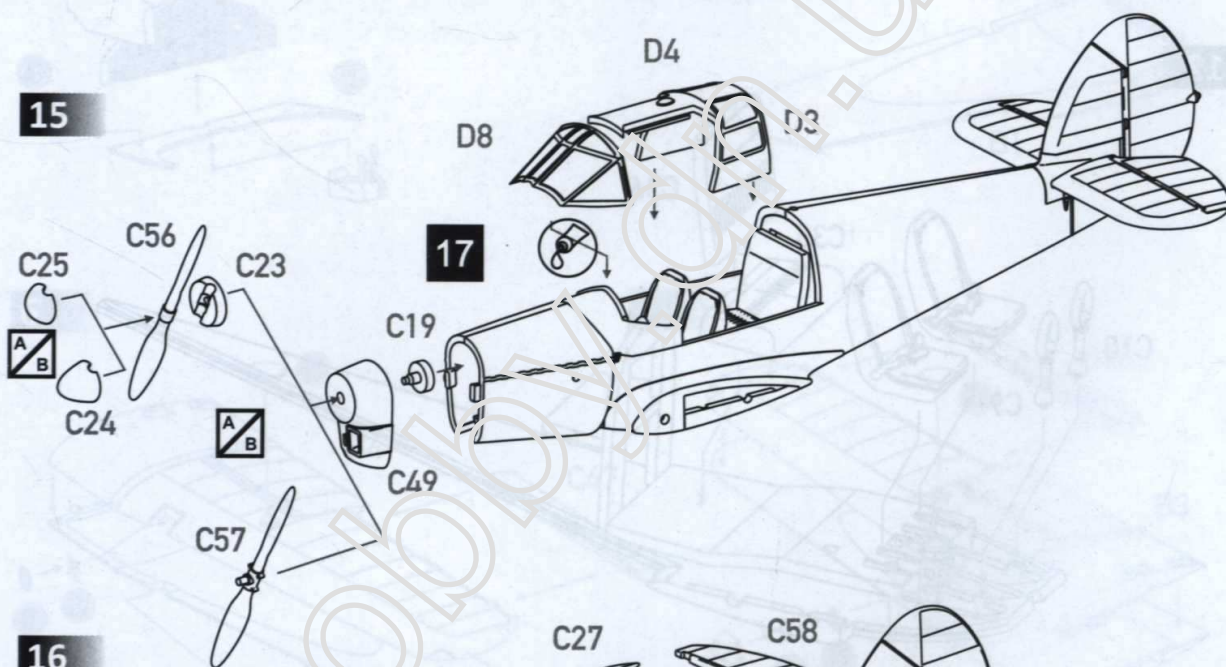
13



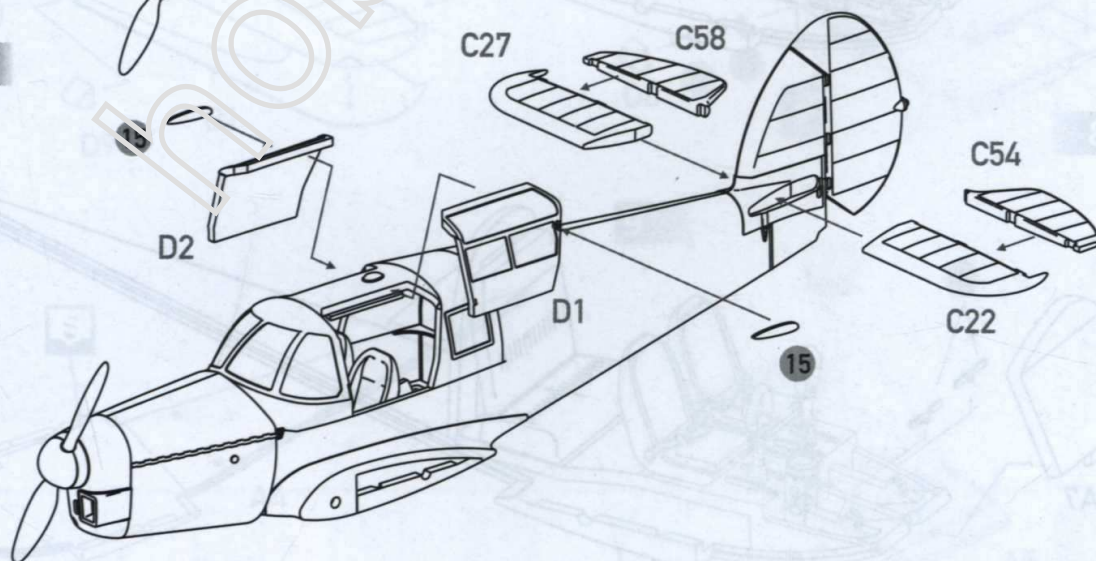
14



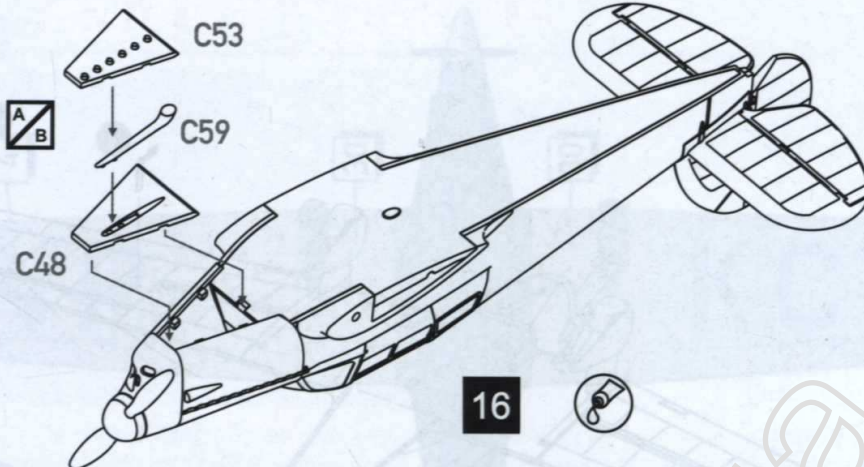
15



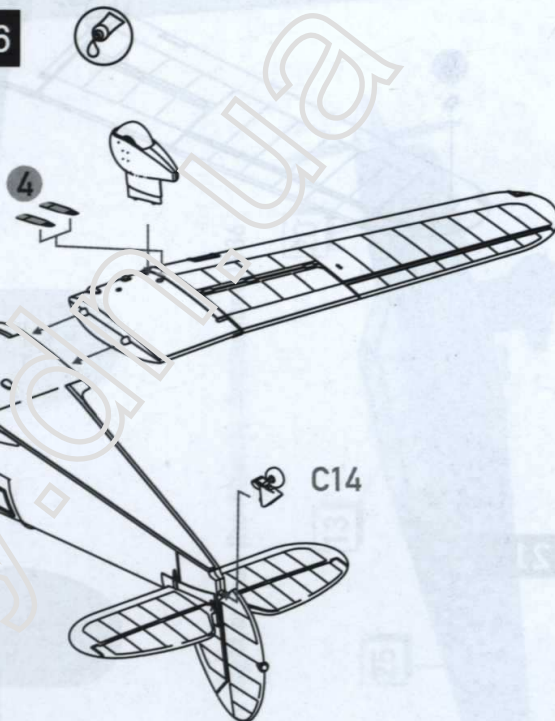
16



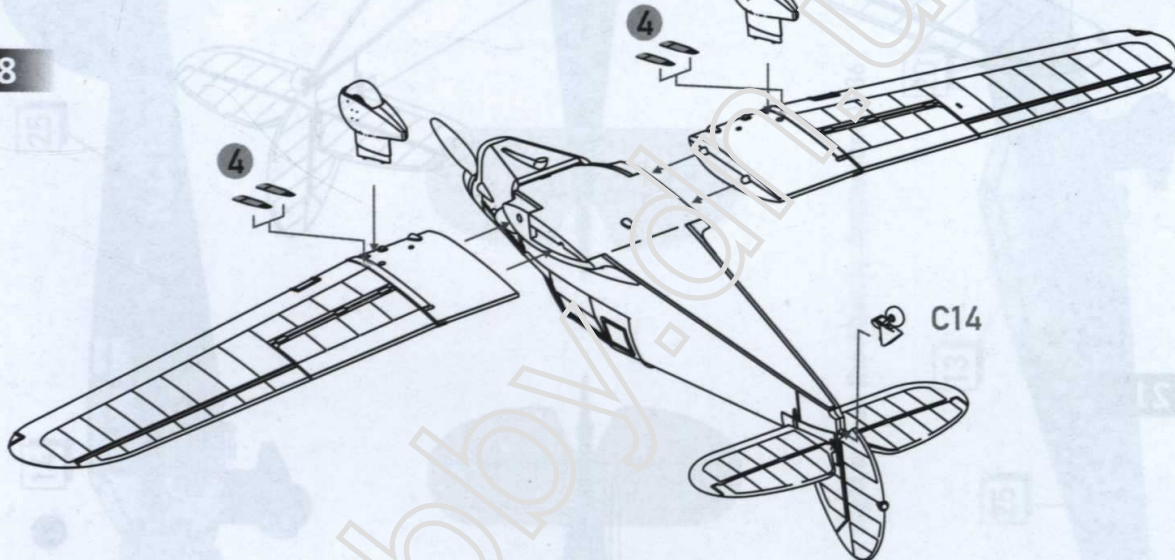
17



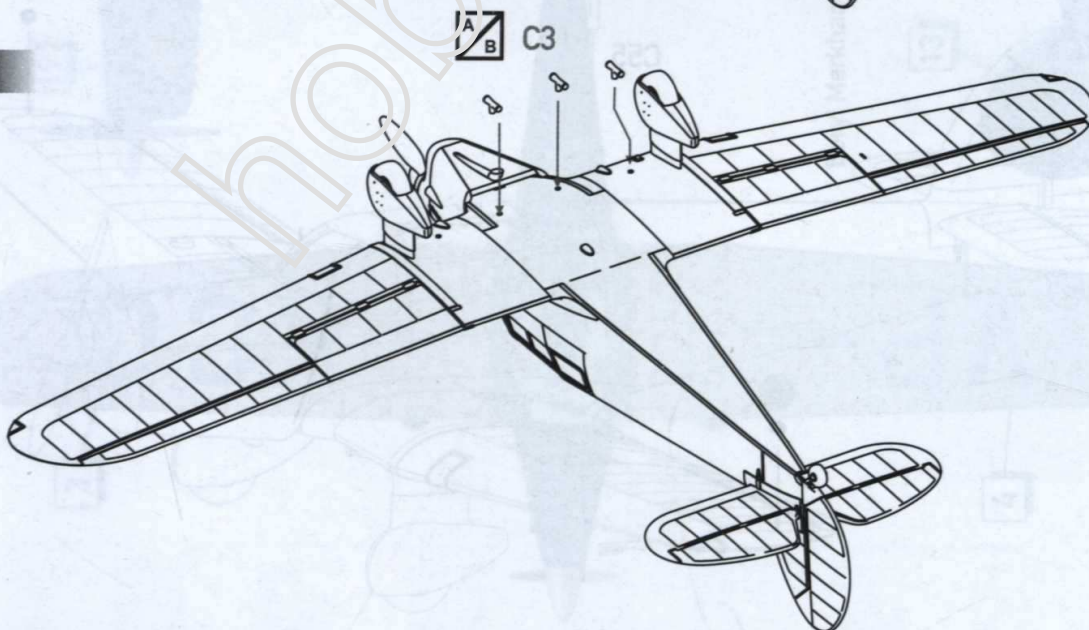
16



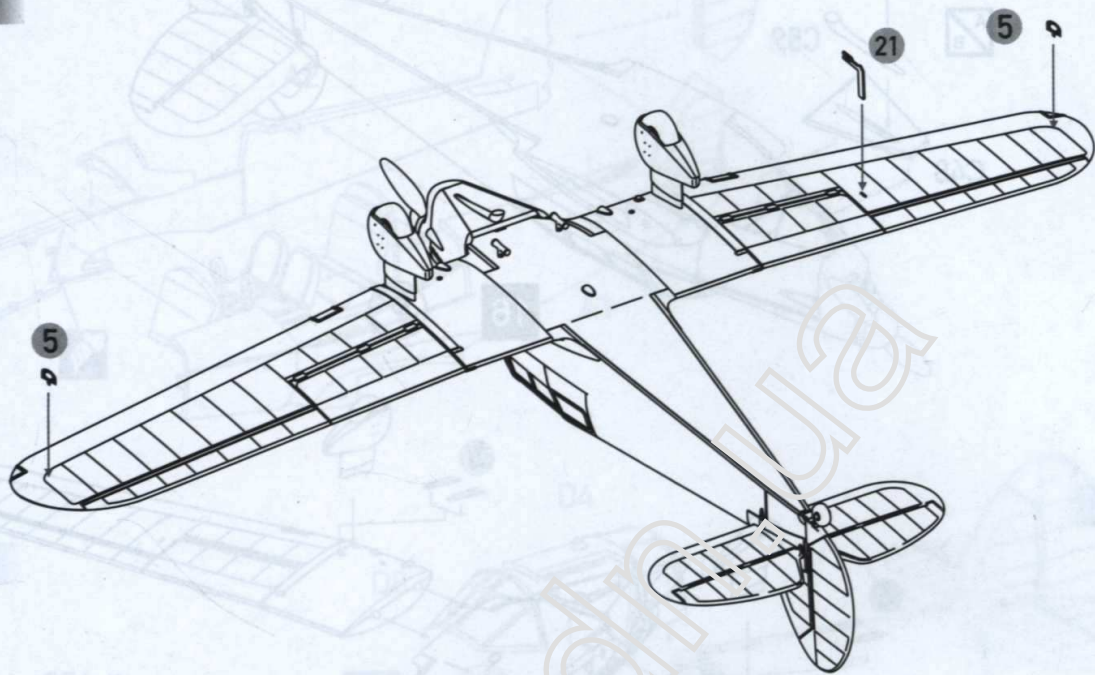
18



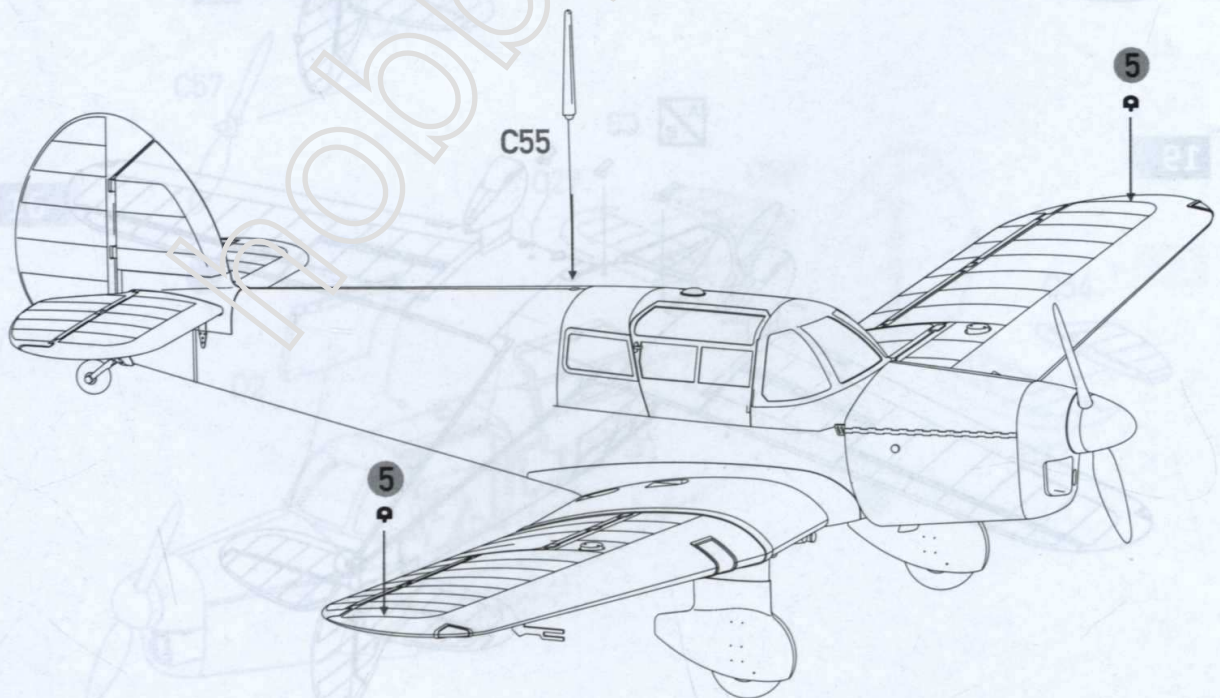
19



20

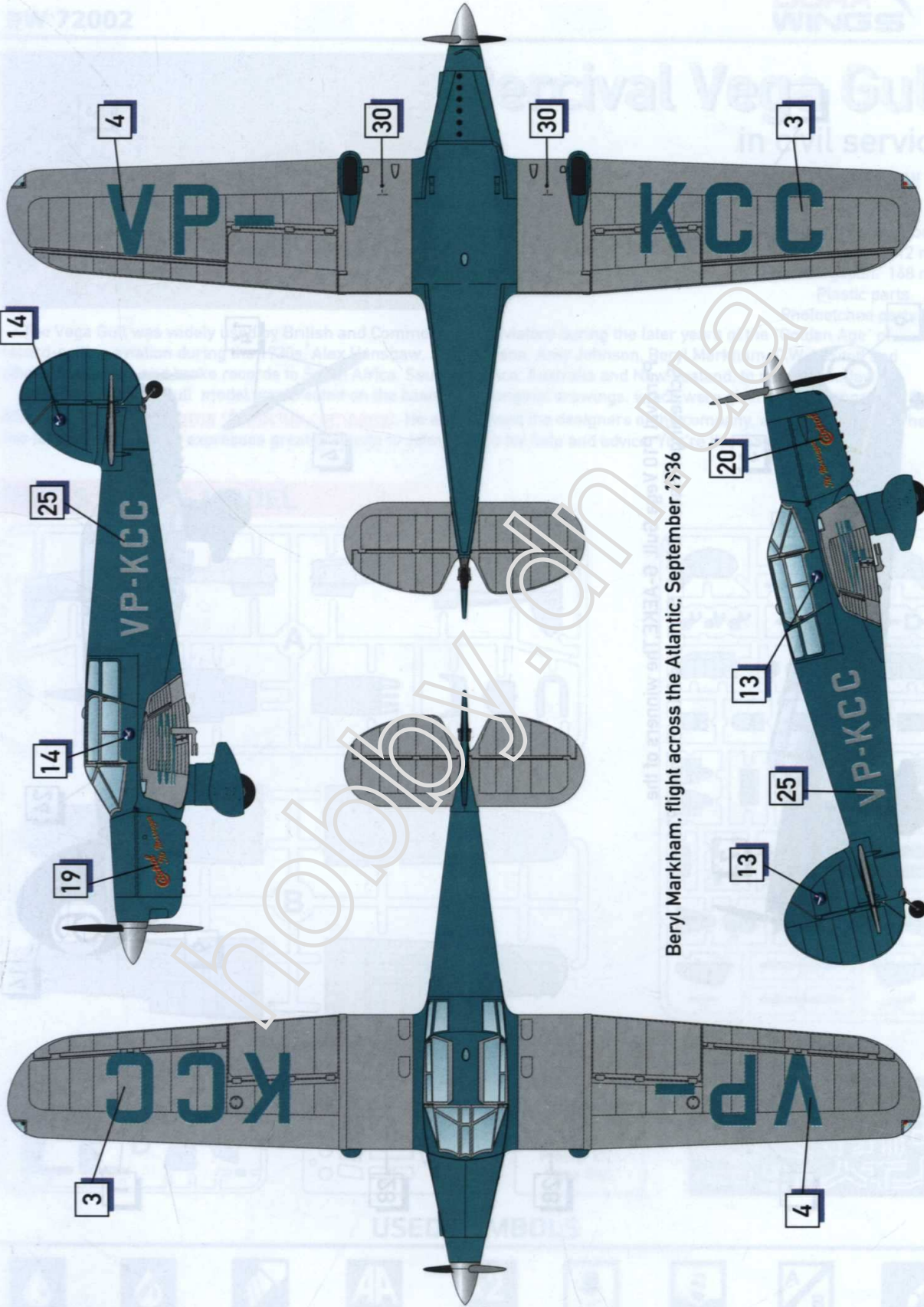


21

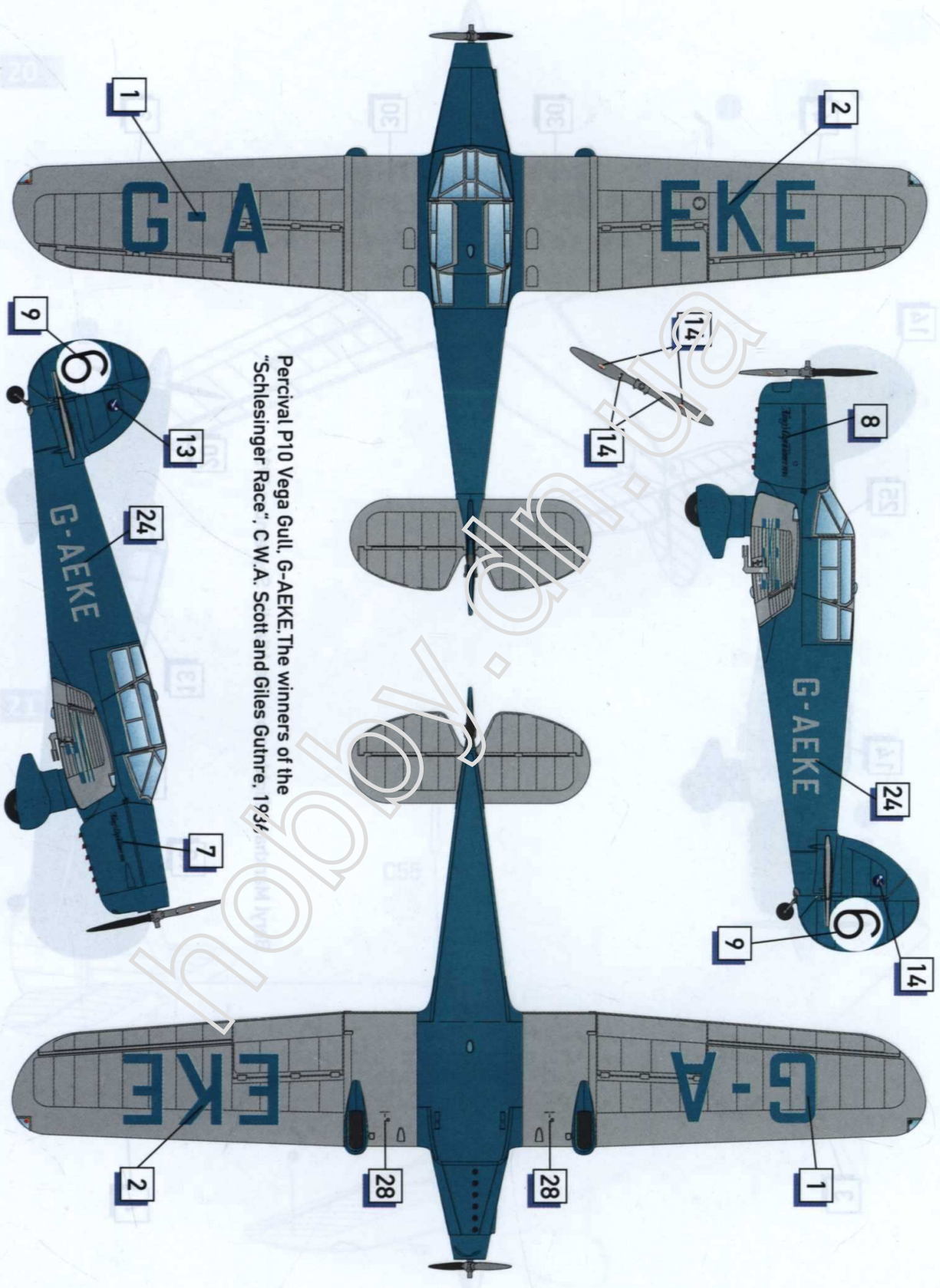


72002

WINGS



Beryl Markham, flight across the Atlantic, September 1936

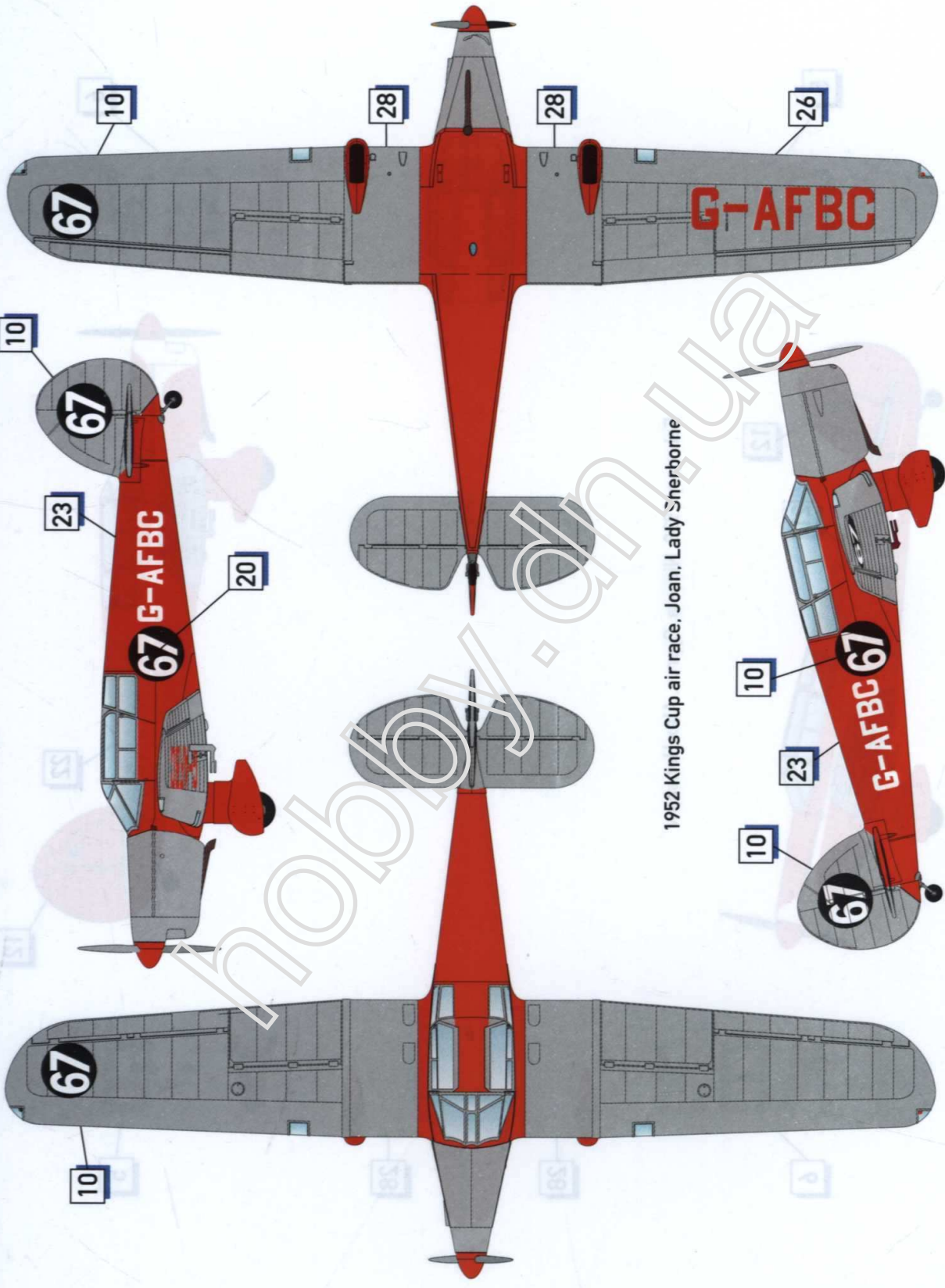


Percival P10 Vega Gull. G-AEKE: The winners of the "Schlesinger Race". C.W.A. Scott and Giles Guitre, 1934





February 1938, Nicosia, Cyprus. Alex Henshaw



1952 Kings Cup air race. Joan. Lady Sherborne