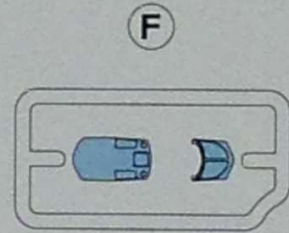
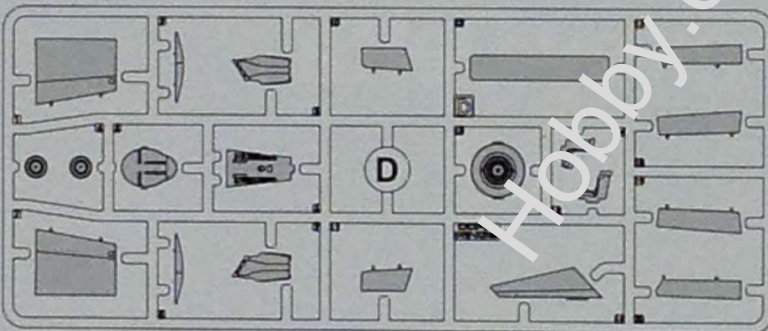
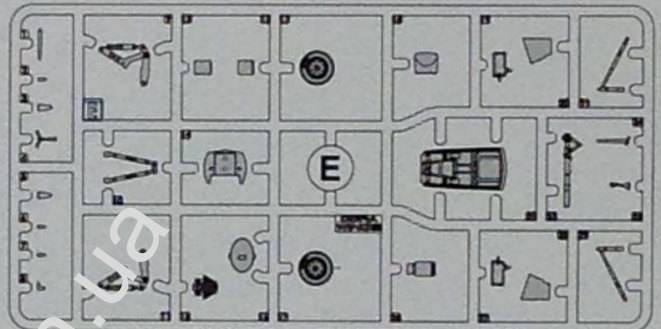
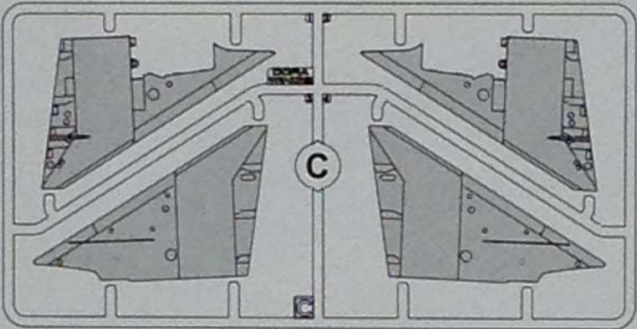
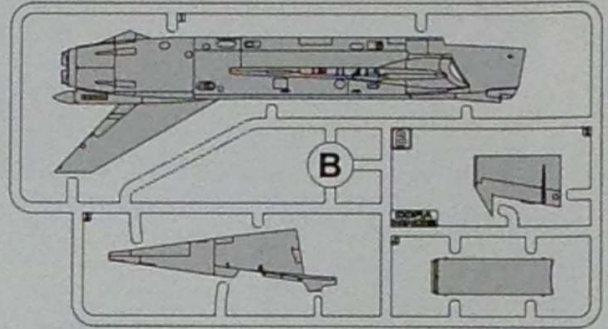
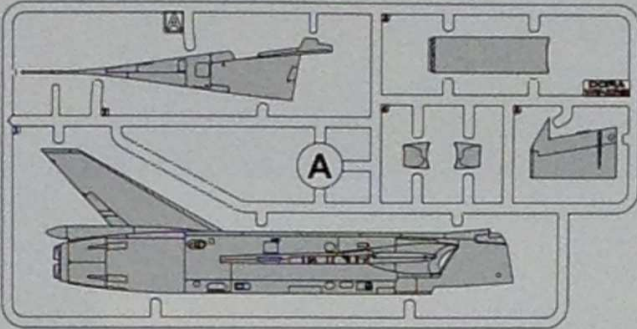
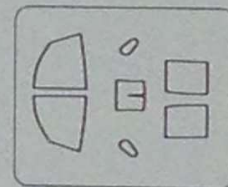


PARTS OF THE MODEL



Mask

Decal



Pe



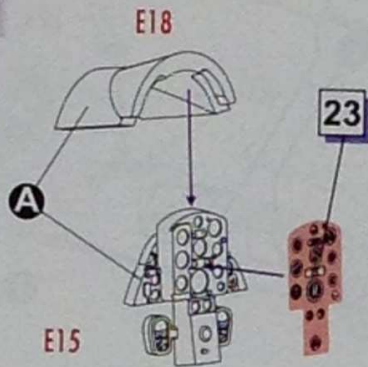
A

4

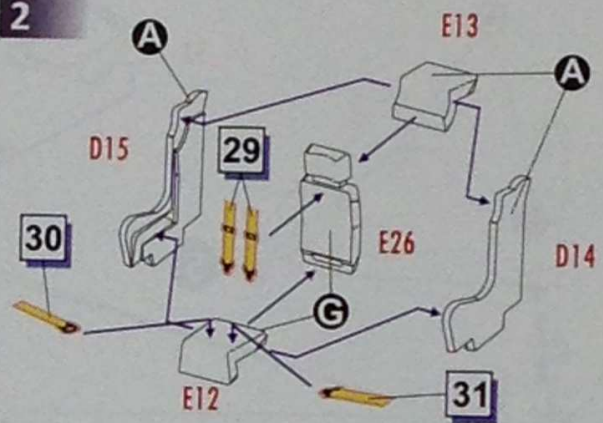
3

ASSEMBLY INSTRUCTION

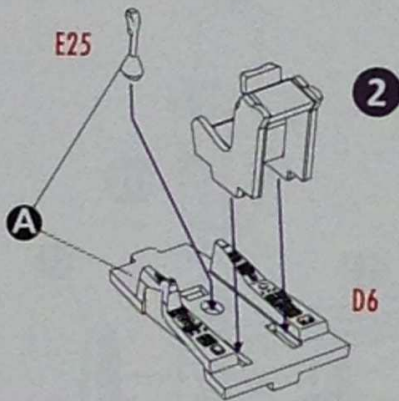
1



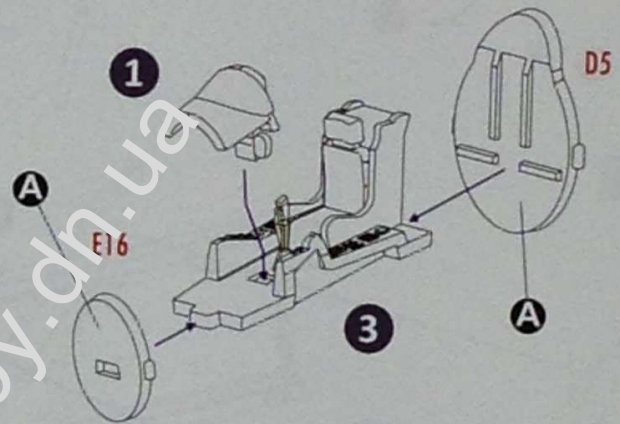
2



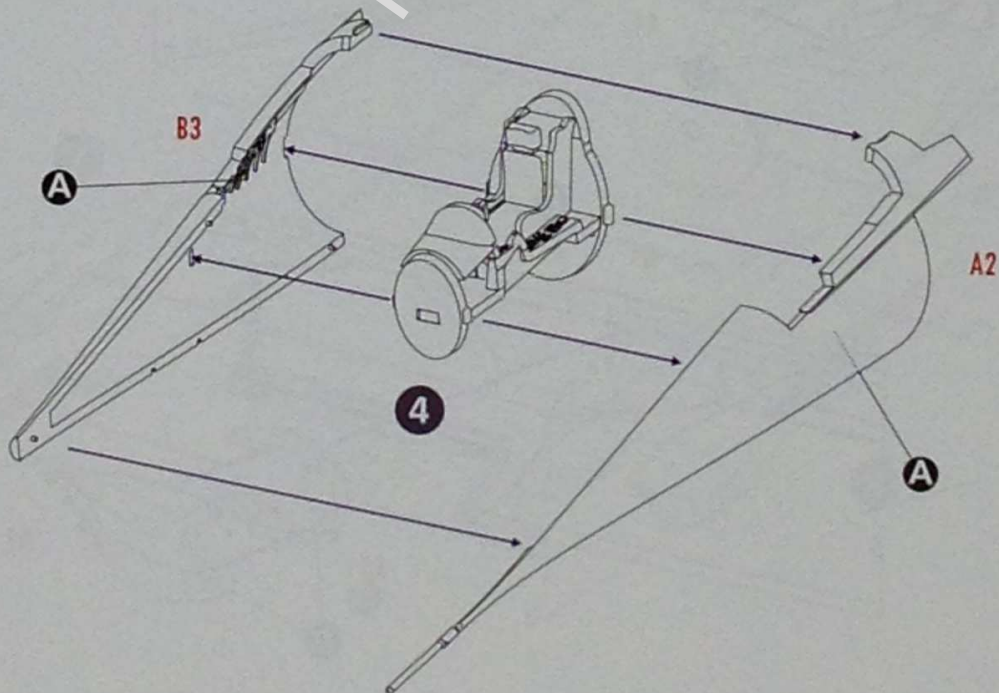
3



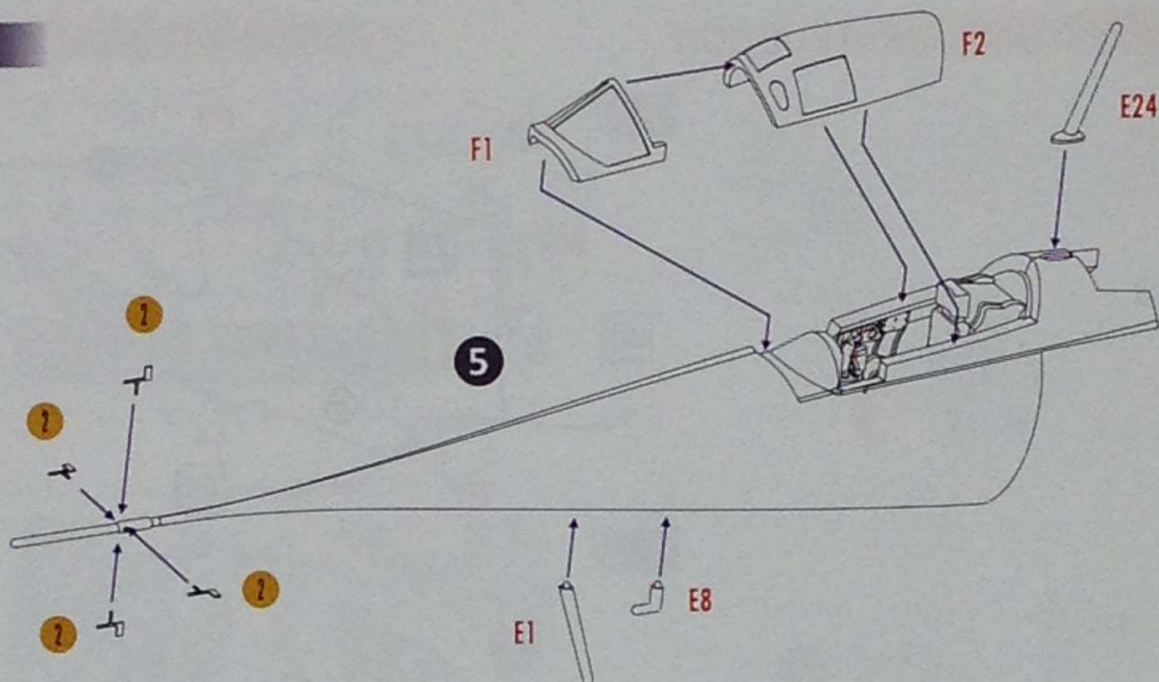
4



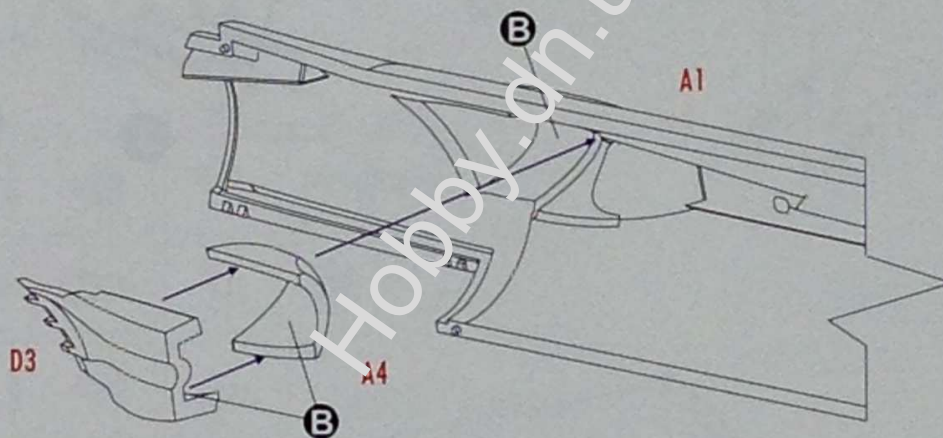
5



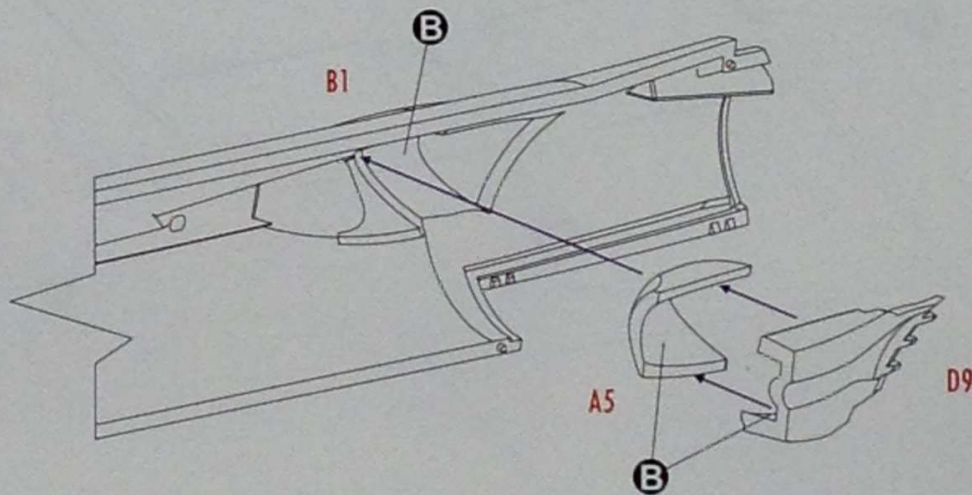
6



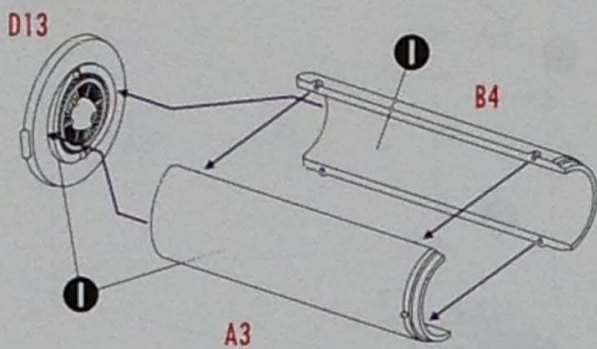
7



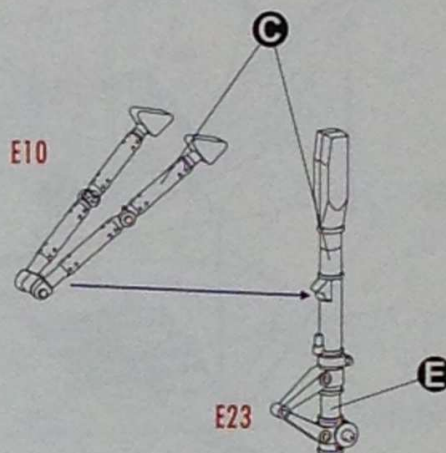
8



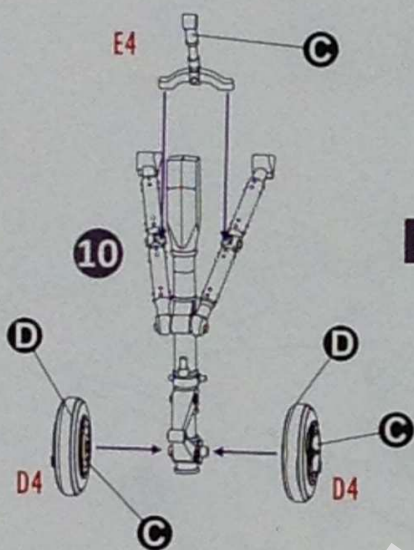
9



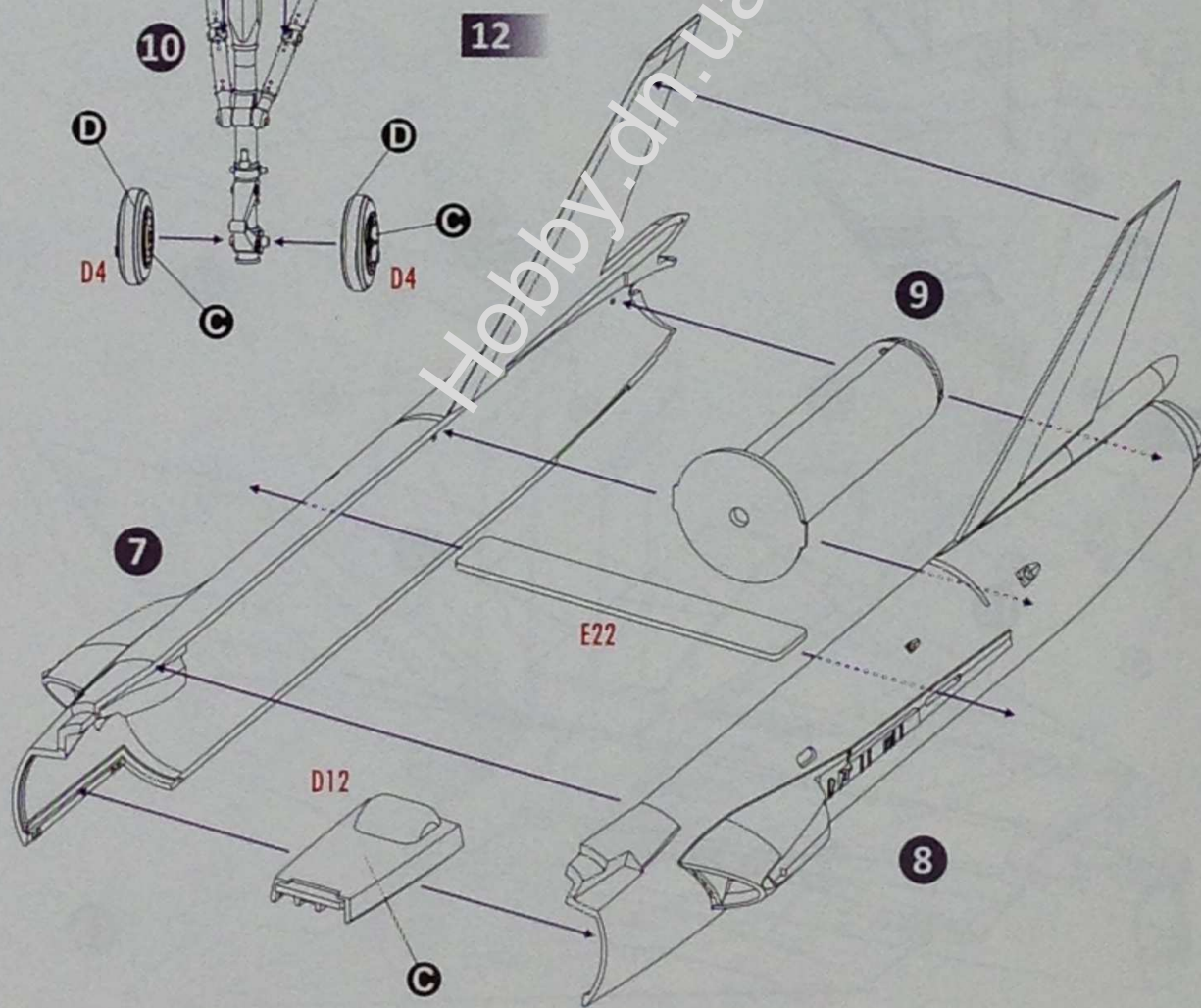
10



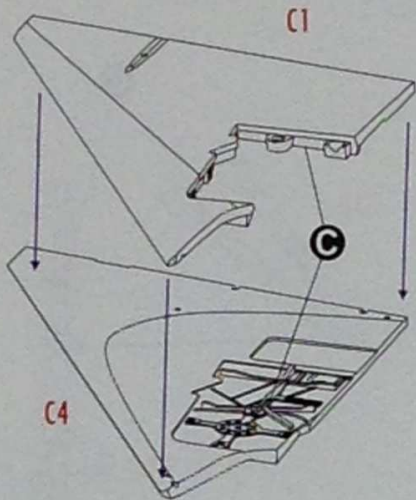
11



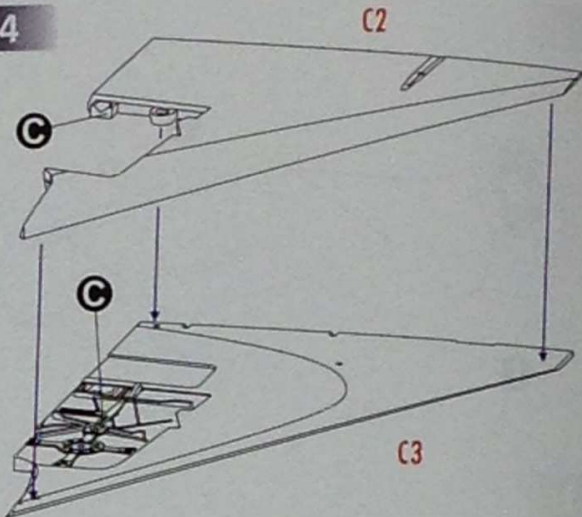
12



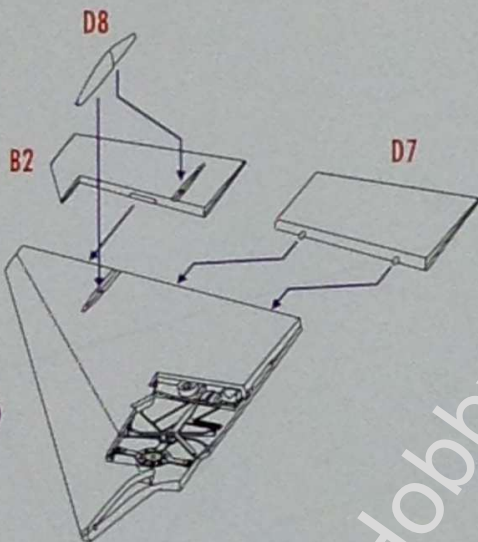
13



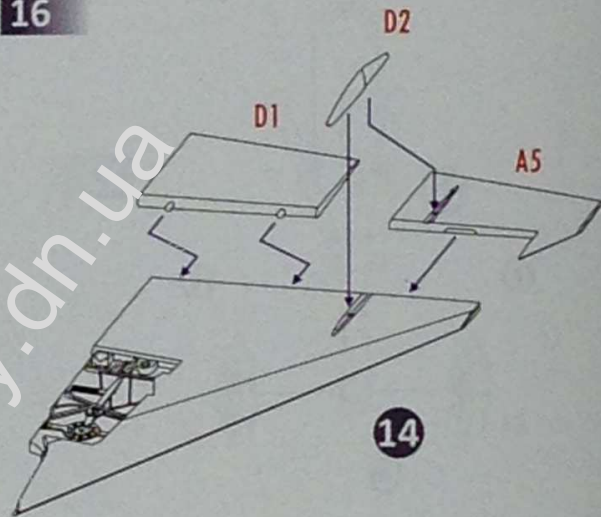
14



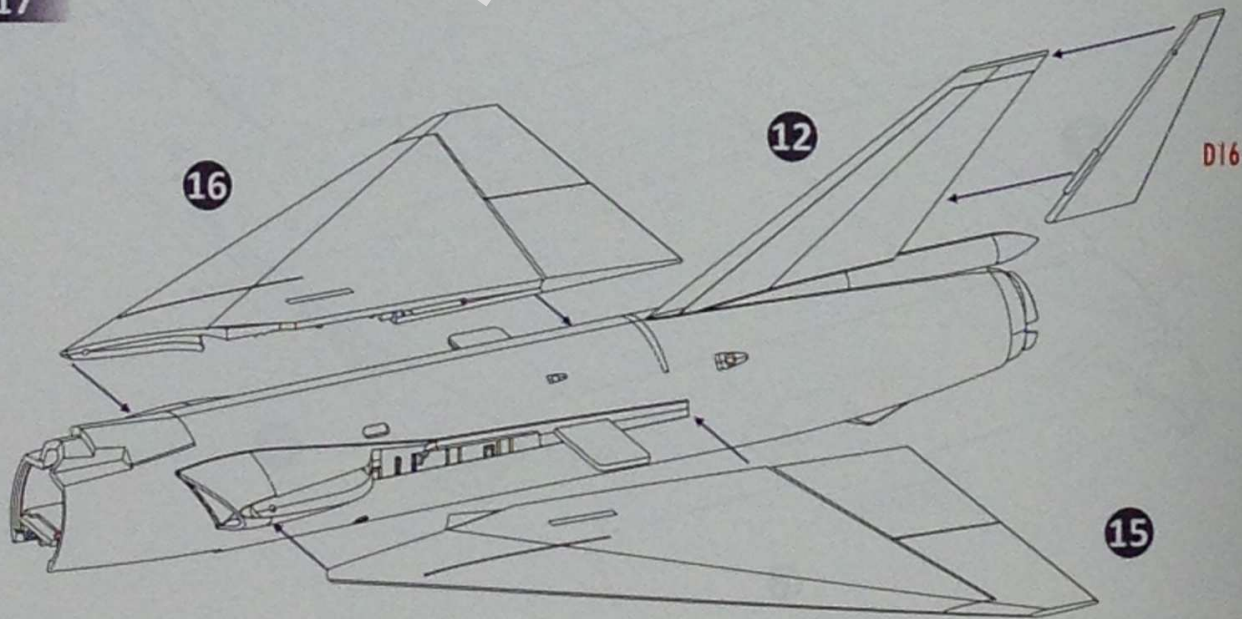
15



16

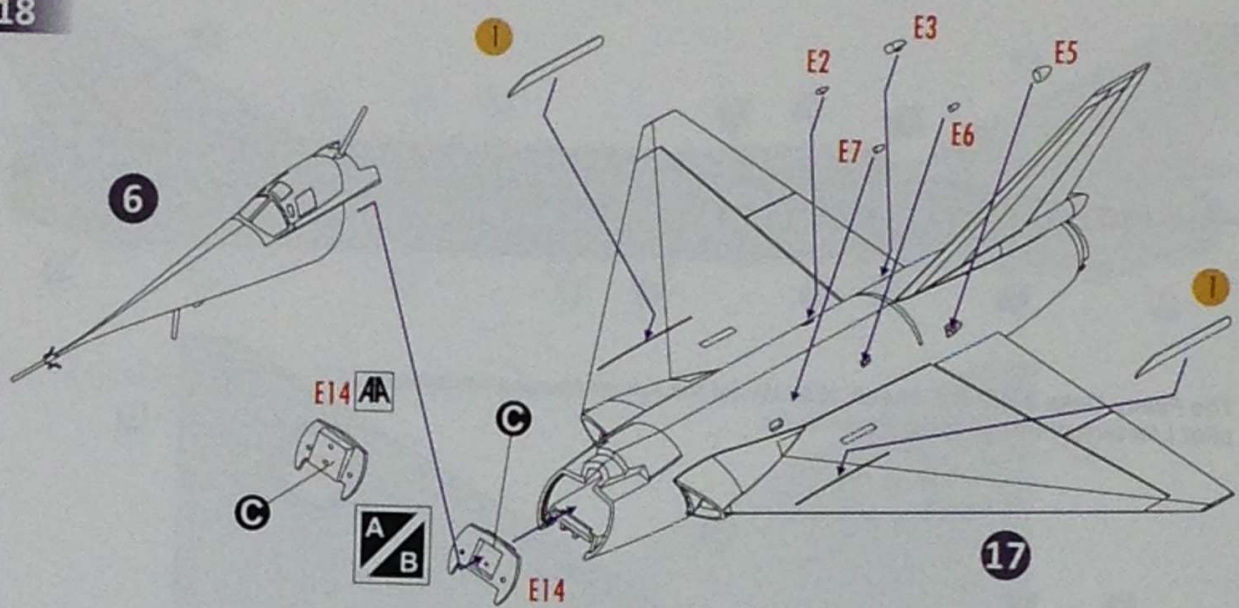


17



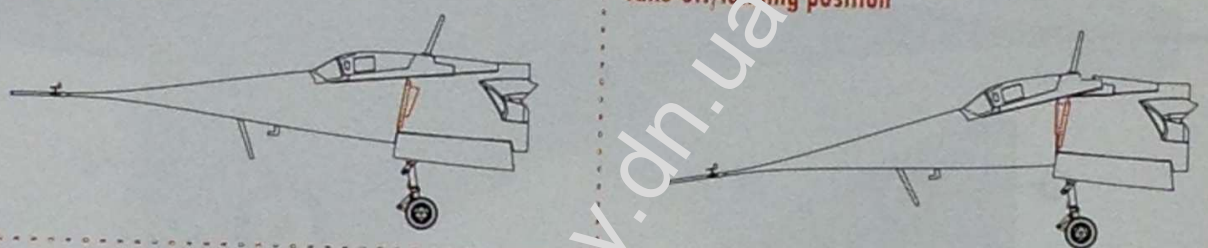
Hobby.dn.ua

18

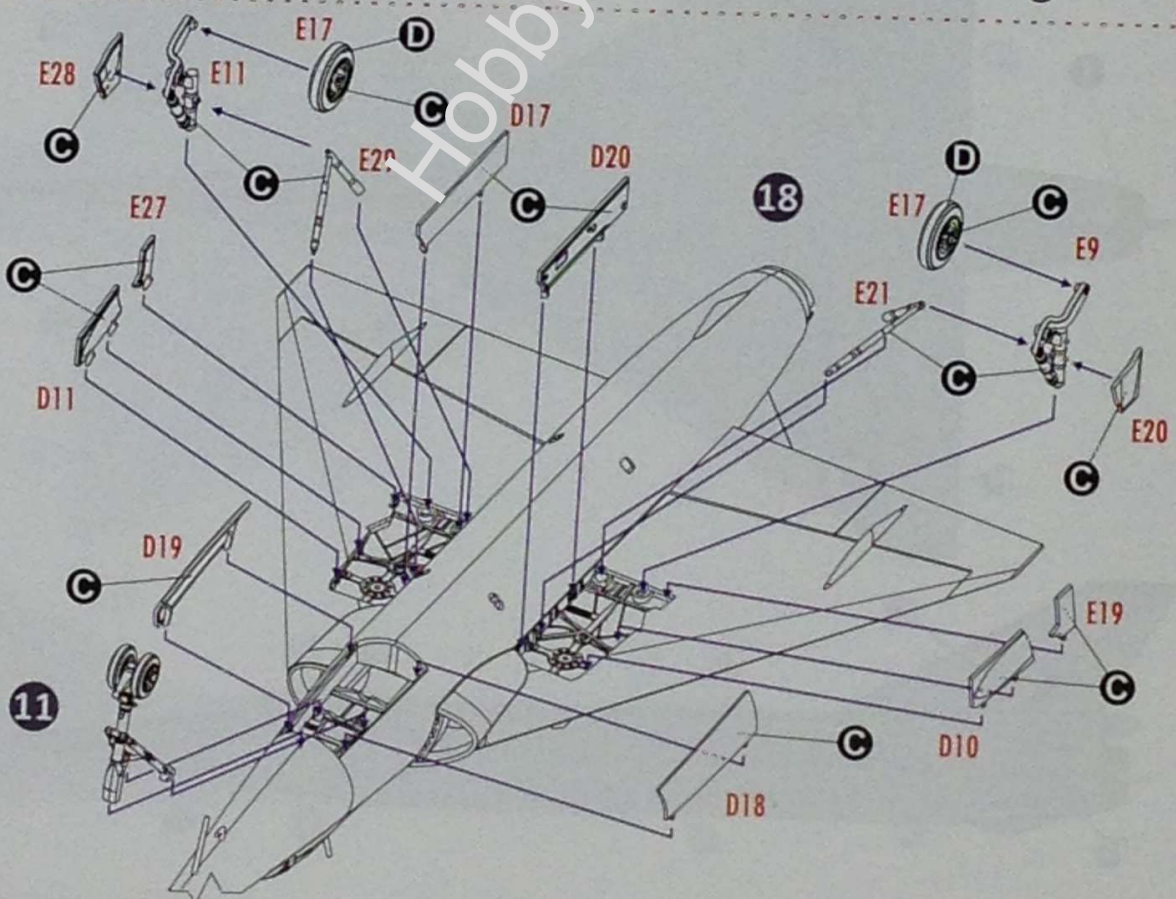


Flight position

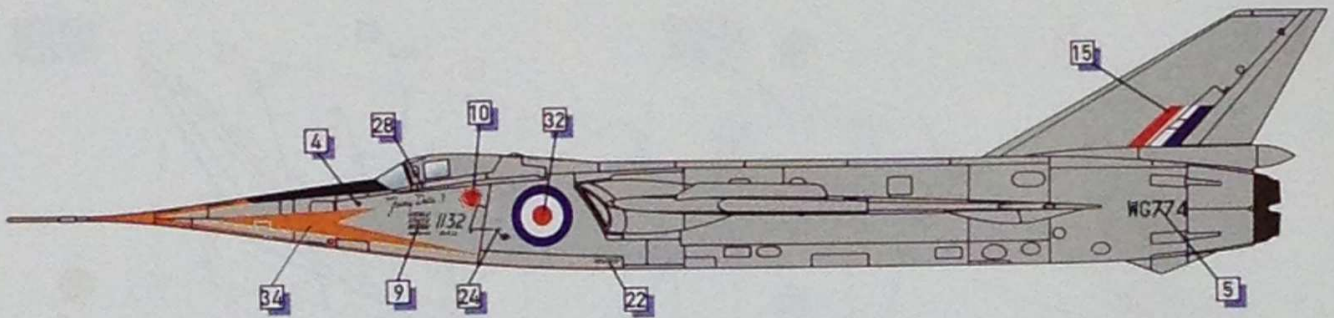
Take-off/landing position



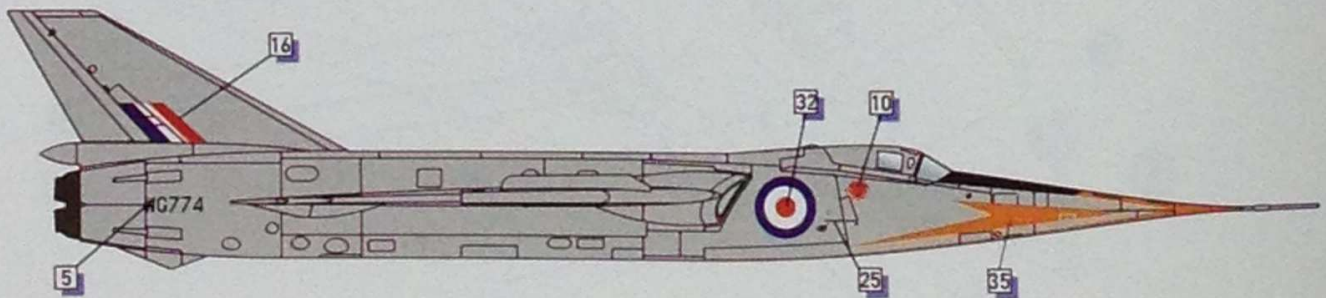
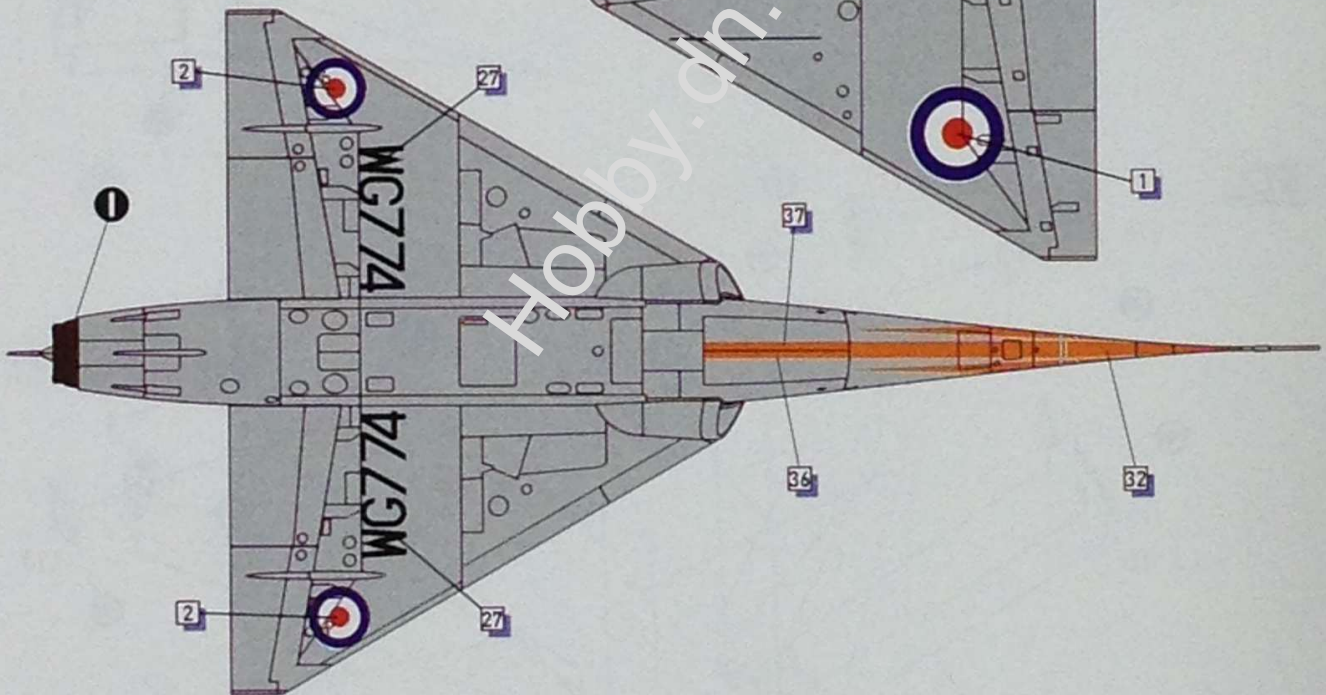
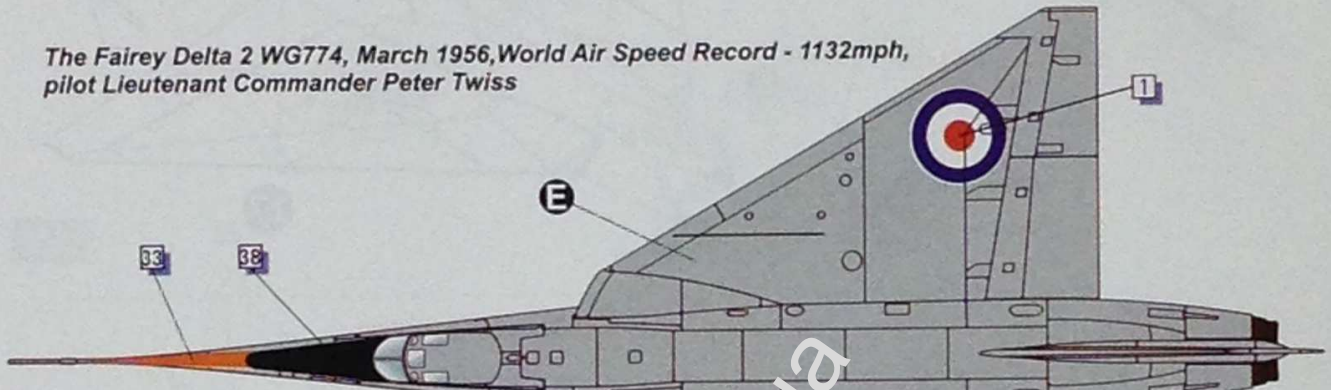
19

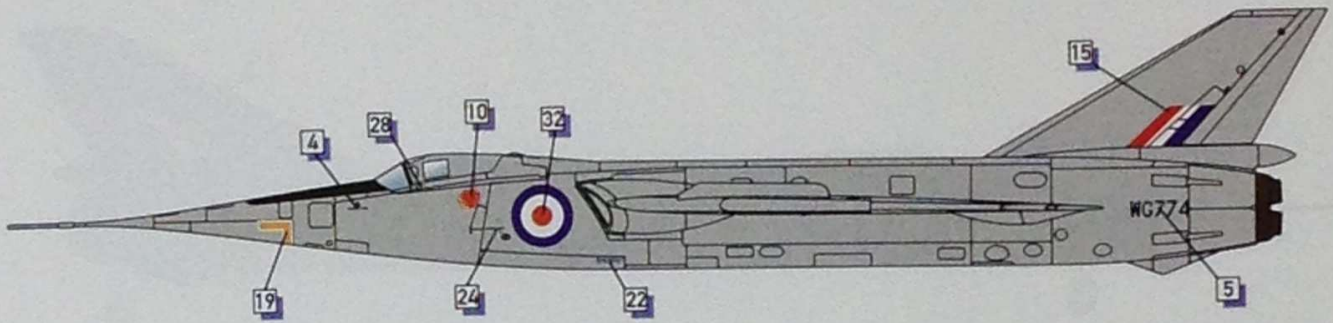


Fairey Delta FD.2

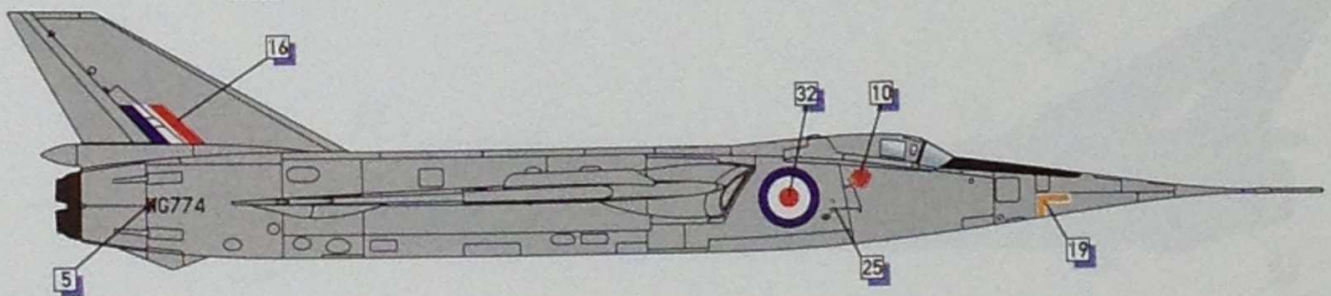
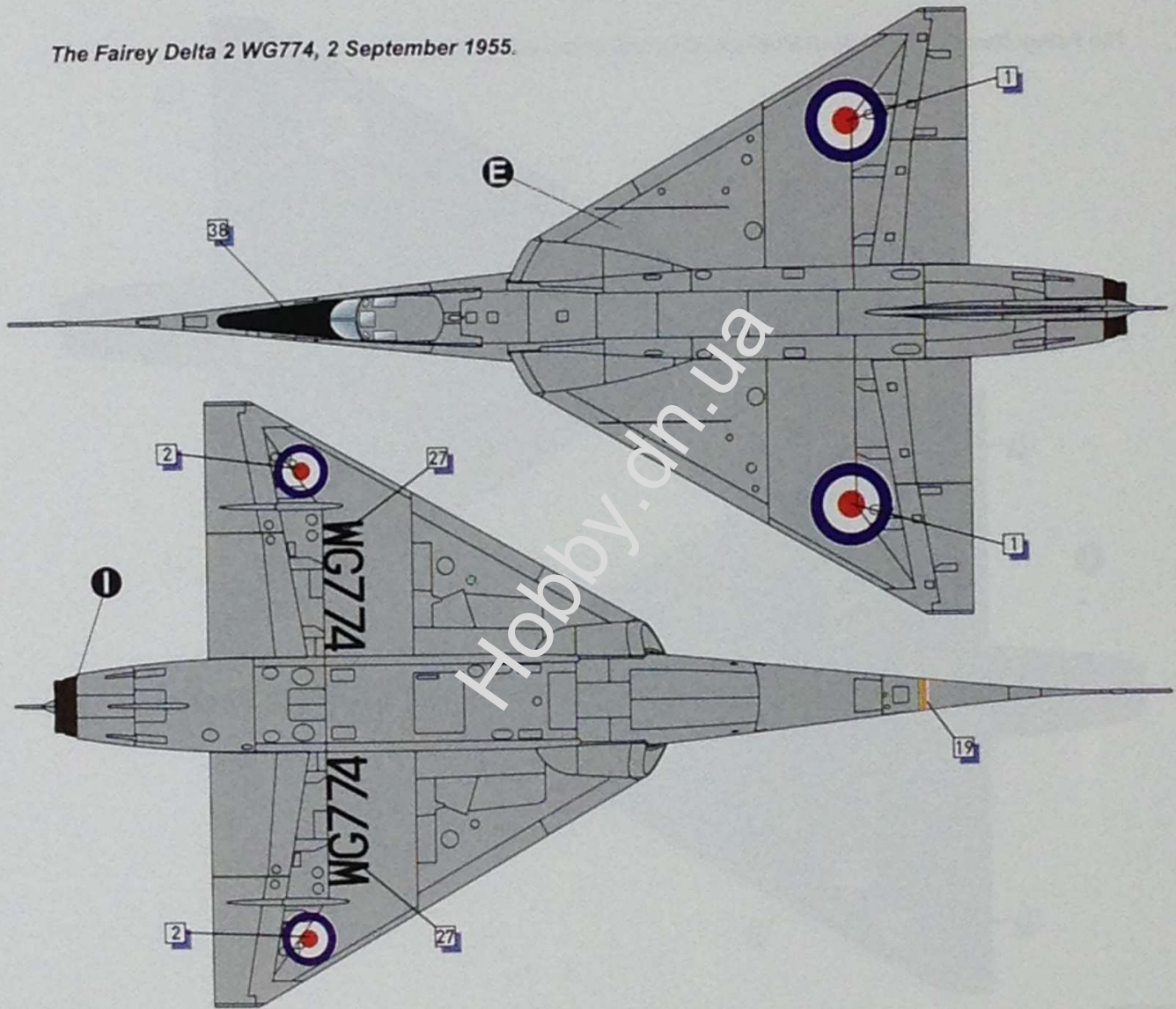


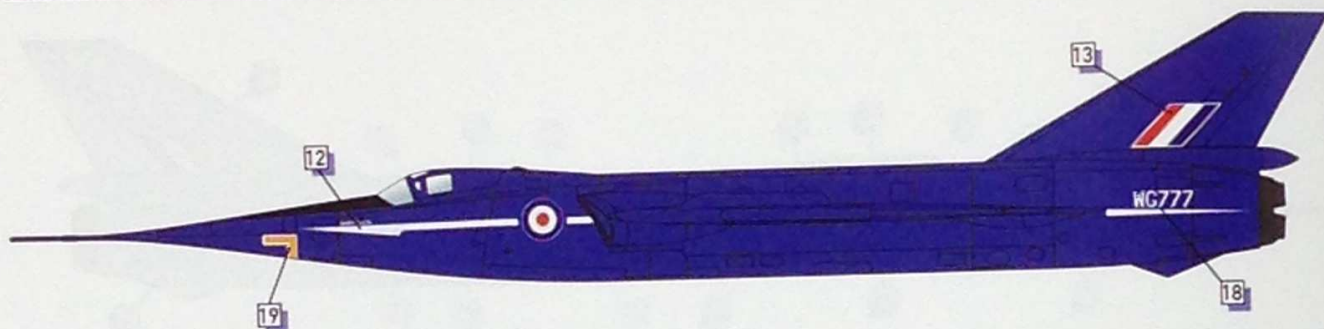
The Fairey Delta 2 WG774, March 1956, World Air Speed Record - 1132mph, pilot Lieutenant Commander Peter Twiss



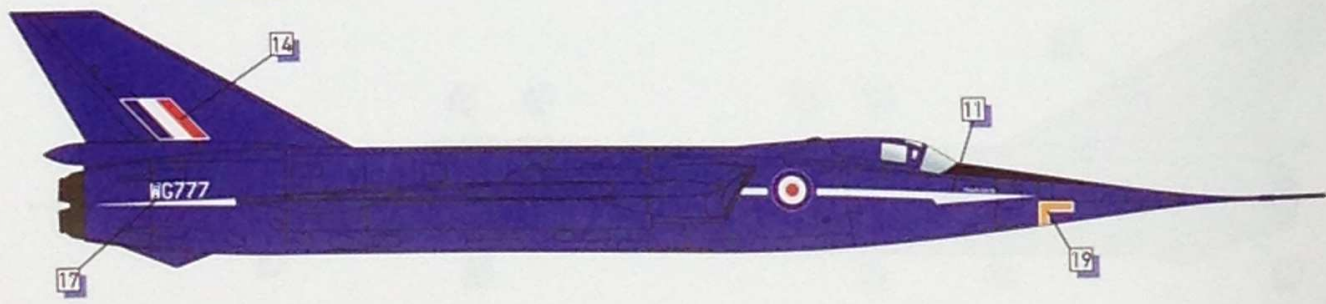


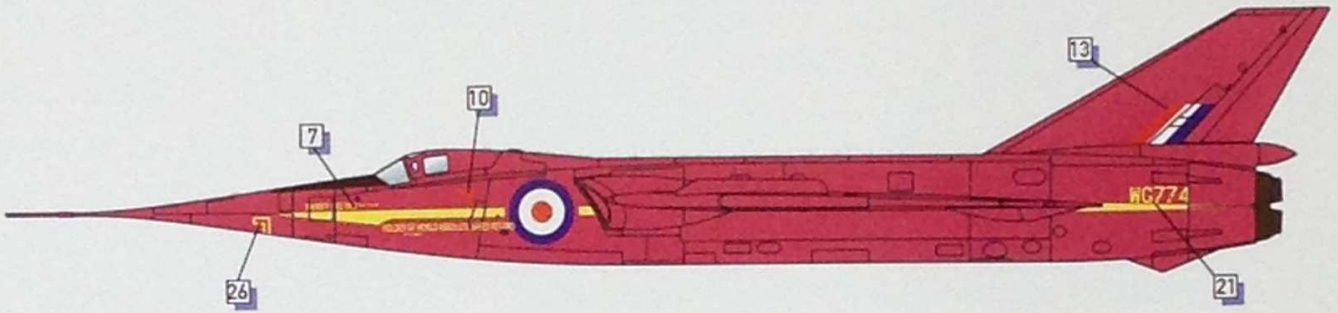
The Fairey Delta 2 WG774, 2 September 1955.



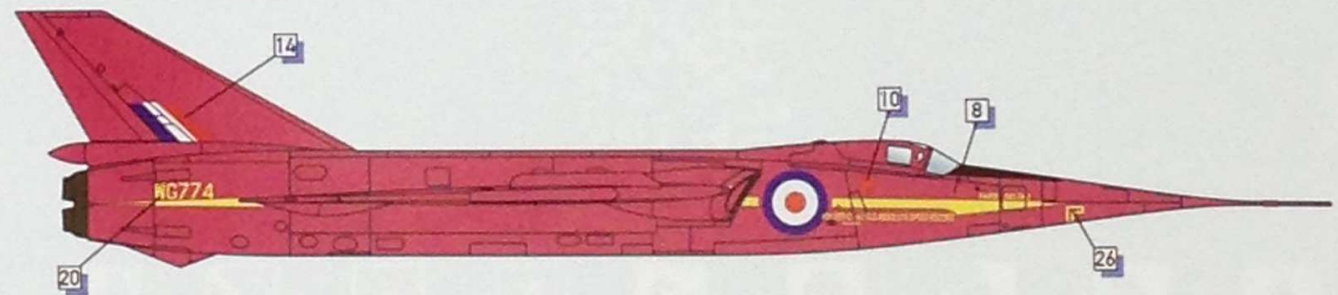
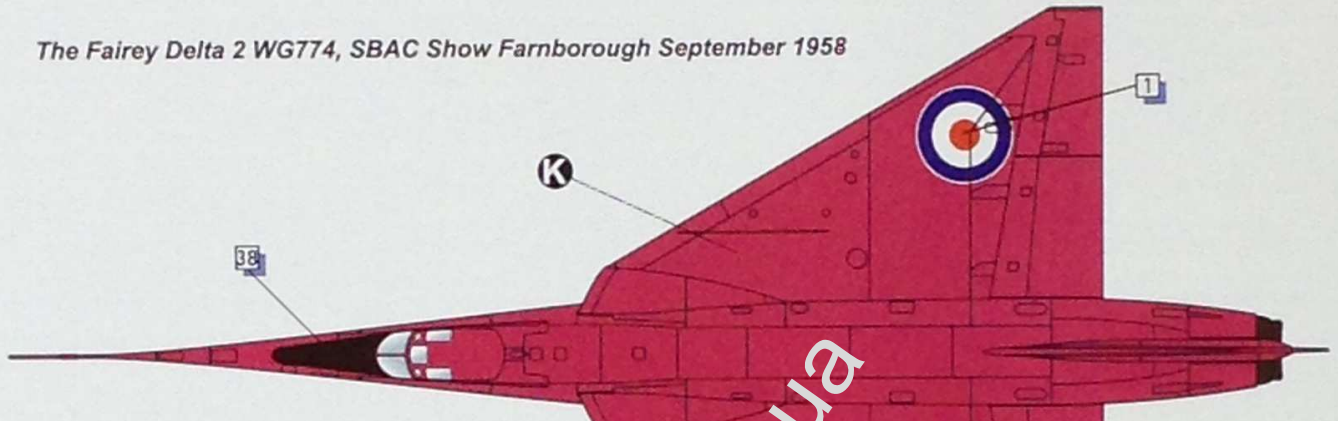


The FAirey Delta 2 WG777, RAF Museum, Cosford, Shropshire, UK





The Fairey Delta 2 WG774, SBAC Show Farnborough September 1958



COLOR TABLE

| Color Chart | | MR. HOBBY | Tamiya | AMMO MIG | Hataka | LIFECOLOR |
|----------------|----------|-----------|--------|-------------|---------|-----------|
| Black | A | C33/H12 | XF-1 | MIG 046 | HTK 100 | LC 02 |
| White | B | C62/H11 | XF-2 | MIG 0047 | HTK 101 | LC 01 |
| Aluminium | C | MC 218 | XF-16 | MIG 194 | HTK 078 | LC 24 |
| Rubber Black | D | C137/H77 | XF-85 | MIG 035 | | UA 733 |
| Polished metal | E | MC 211 | XF-56 | MIG 0192 | | |
| Interior Green | F | C351/H58 | | MIG 0220 | HTK 211 | UA 004 |
| Olive Drab | G | C38/H78 | XF-62 | MIG 0237 | HTK 004 | UA 005 |
| M. Sea Grey | H | C335/H335 | XF-83 | MIG-0097 | HTK 034 | UA 094 |
| Burnt Iron | I | C61/H76 | XF-75 | MIG 187 | | LC 37 |
| Aircraft blue | J | | | BS381C 108 | | |
| Violet | K | | | BS381C 796 | | |



USED SYMBOLS



CEMENT



DON'T CEMENT



REMOVE



SYMMETRICAL



MULTIPLE



BEND



OPEN WHOLE



VARIANTS



TO PAINT