

DW 72001



Messerschmitt Bf.109 A/B

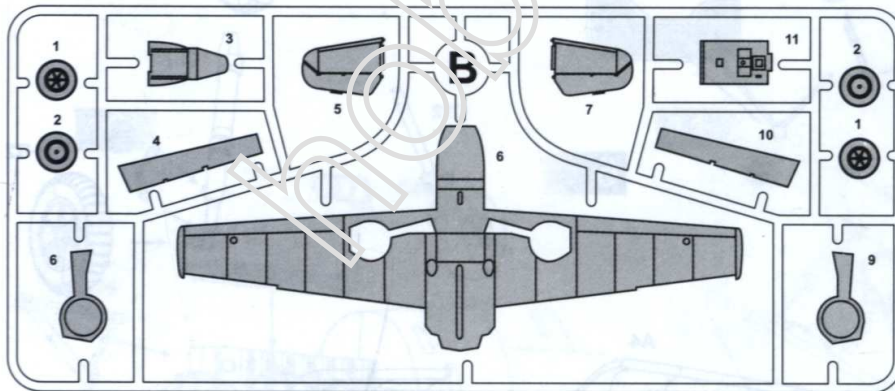
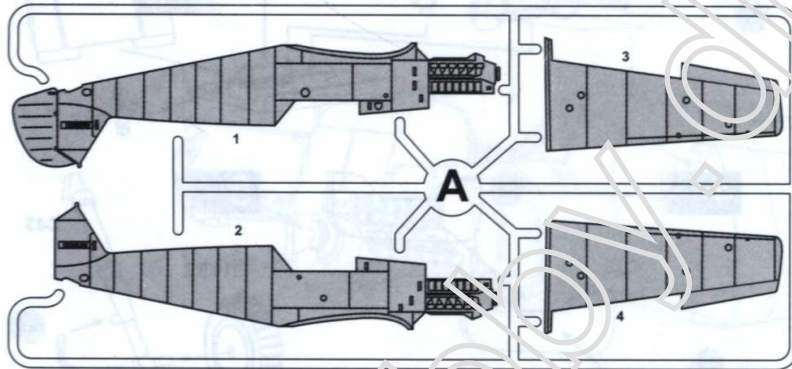
1/72 SCALE MODEL CONSTRUCTION KIT

Ready to assemble scale models kit.
Contains part for one model.
Model length: 119 mm
Wingspan: 137 mm
Plastic parts: 75 mm
Photoetched parts: 33

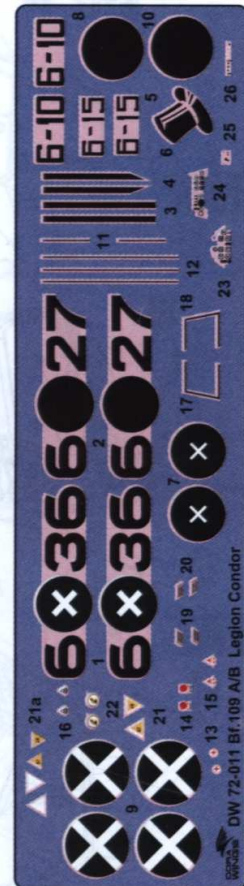
The Messerschmitt Bf 109 is a German World War II fighter aircraft that was the backbone of the Luftwaffe's fighter force. The Bf 109 first saw operational service in 1937 during the Spanish Civil War and was still in service at the dawn of the jet age at the end of World War II in 1945. The Bf 109B scored its first combat victory in 06. 04. 1937, when Capt G.Lutzov shot downan I - 15.

The Bf 109B was the first version of this famous fighter to enter mass production.
A total of 341 of 109B were built.

PARTS OF THE MODEL



Resin



USED SYMBOLS



CEMENT



DON'T CEMENT



REMOVE



SYMMETRICAL



MULTIPLE



BEND



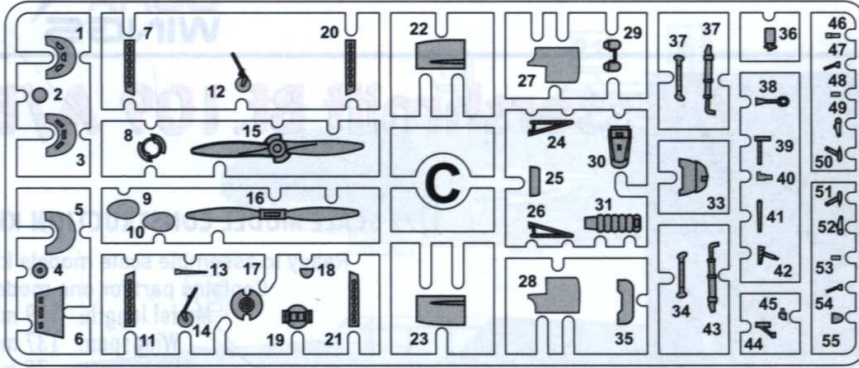
OPEN WHOLE



VARIANTS

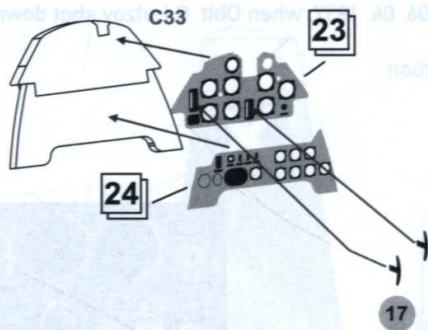


TO PAINT

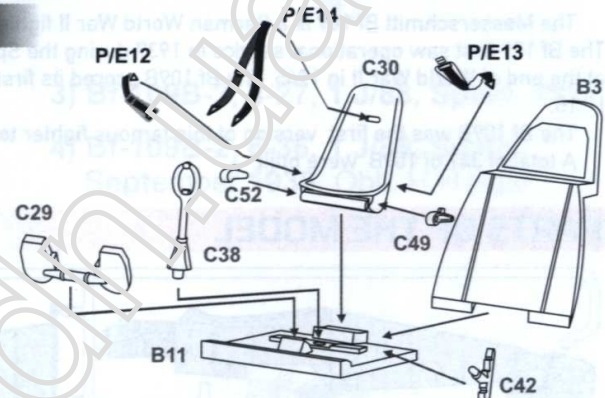


ASSEMBLY INSTRUCTION

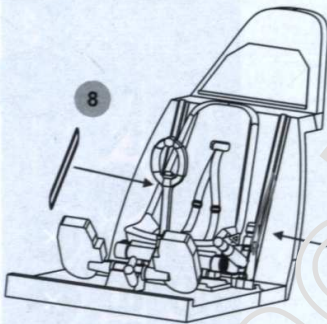
1



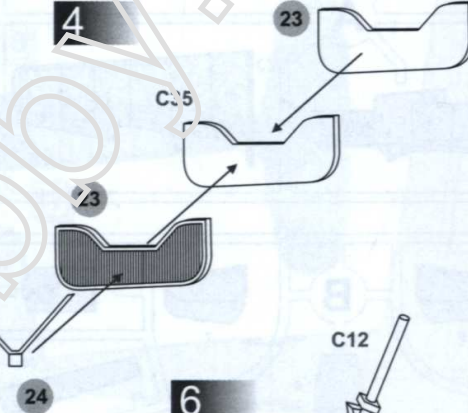
2



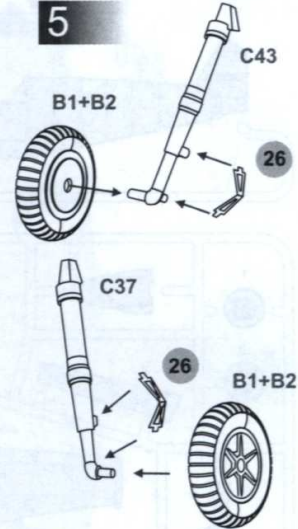
3



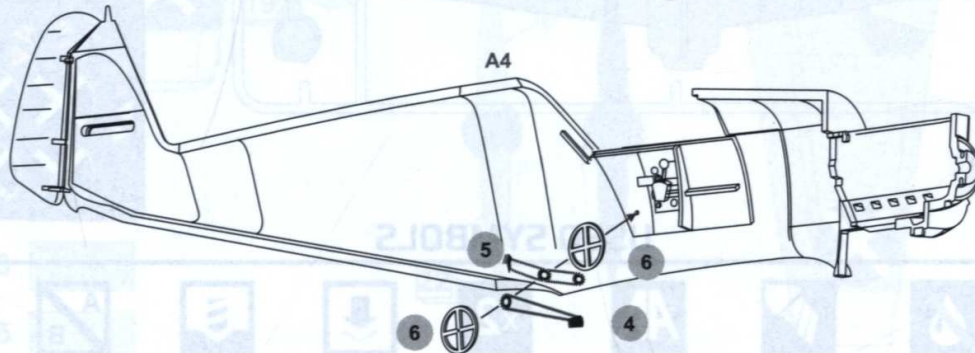
4



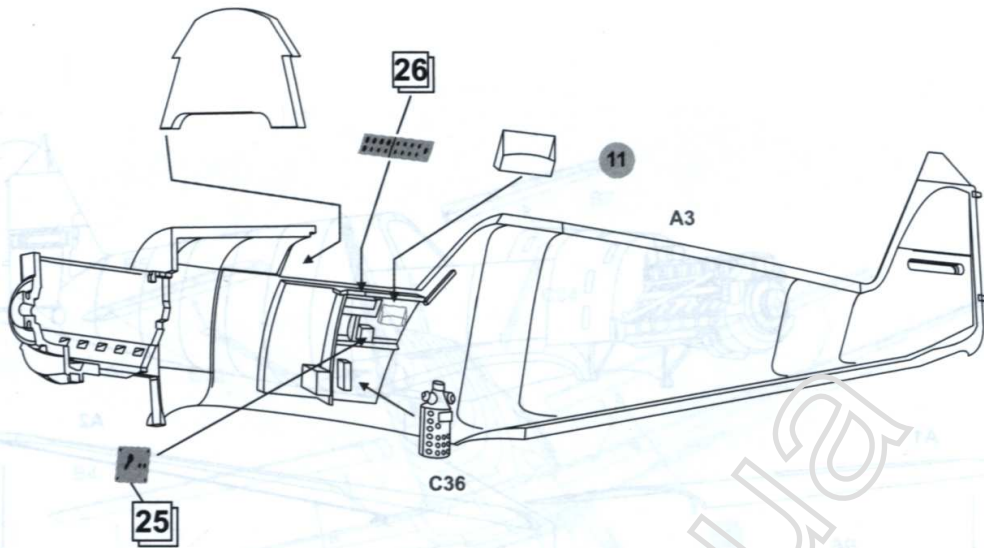
5



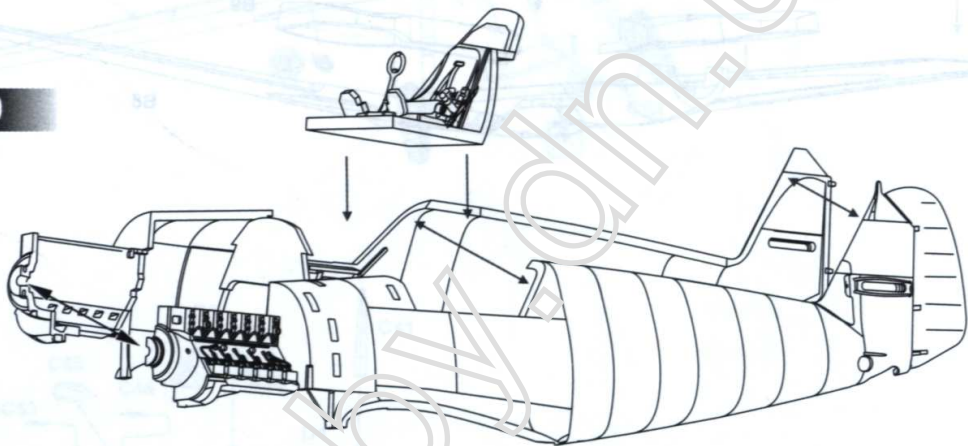
7



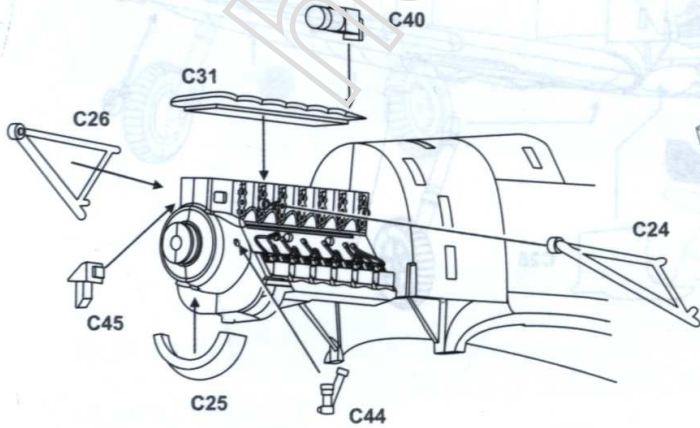
8



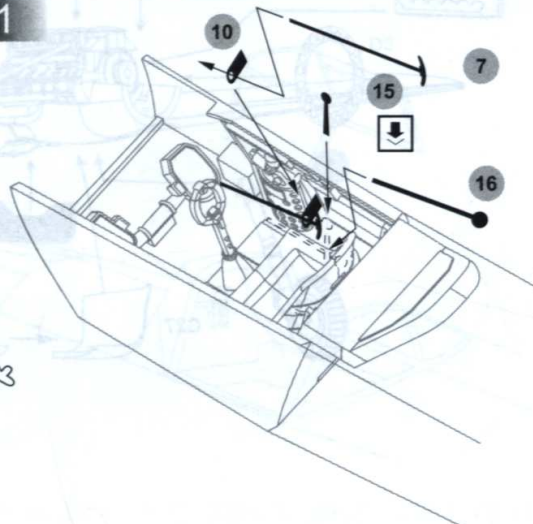
9



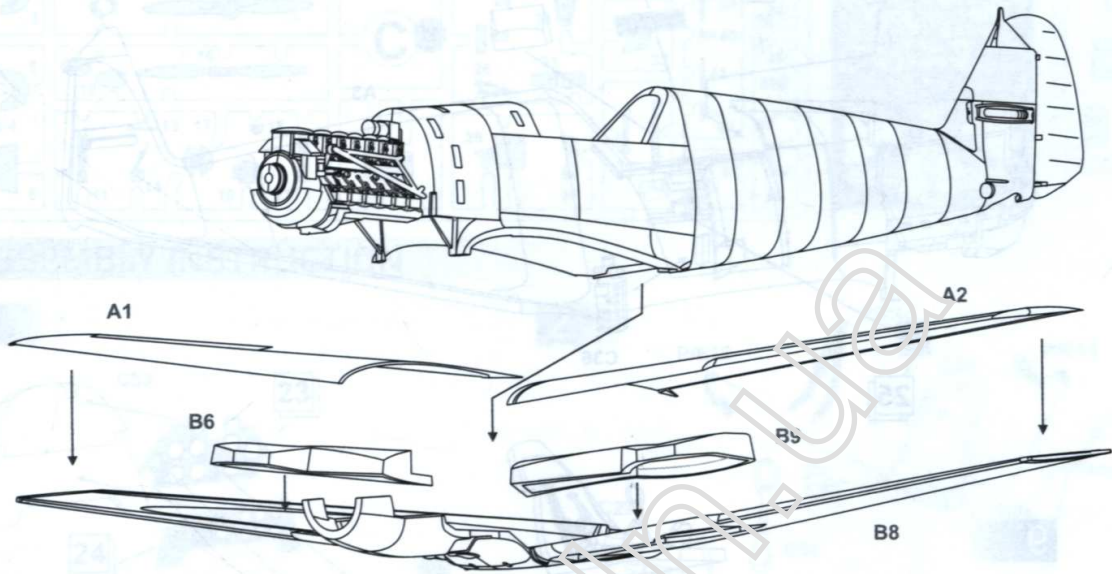
10



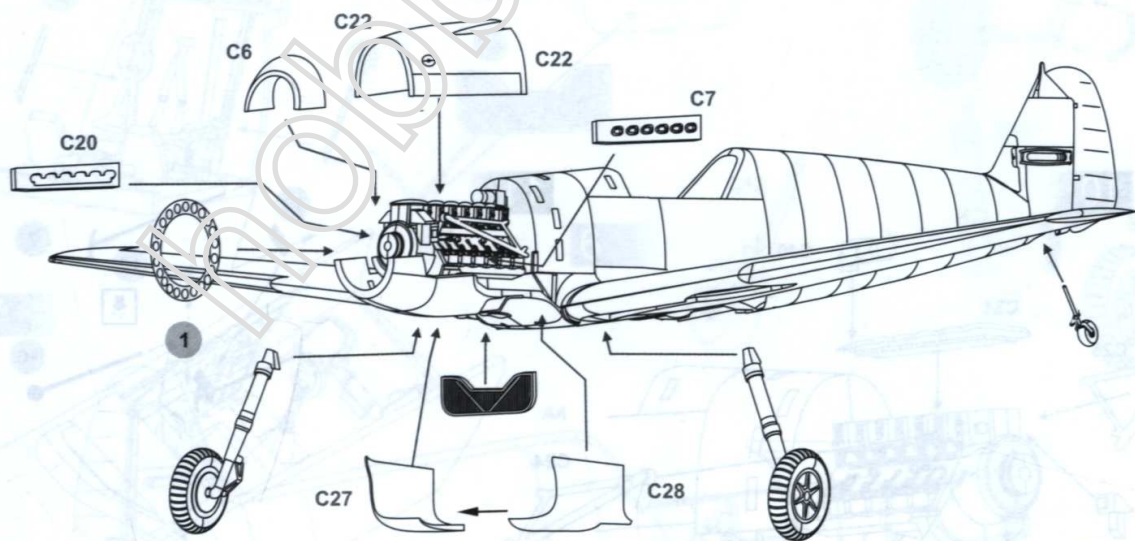
11



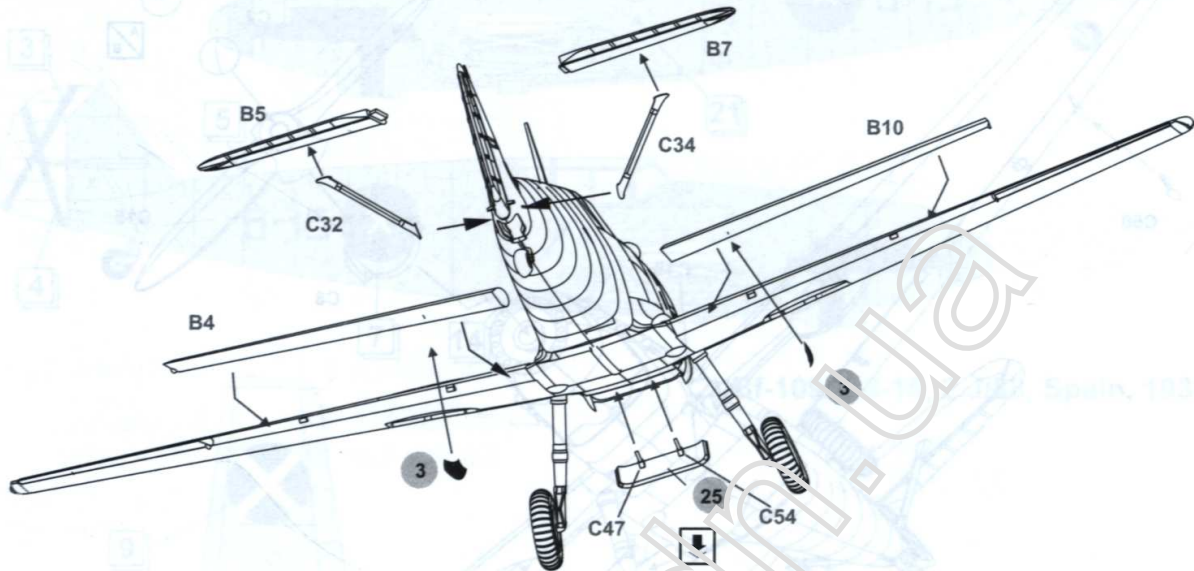
12



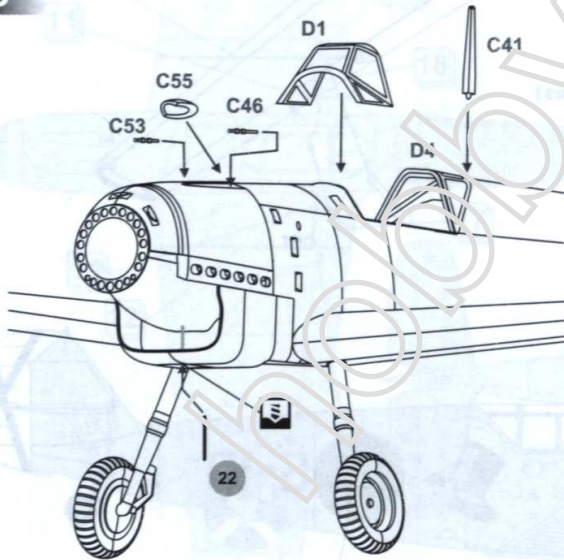
13



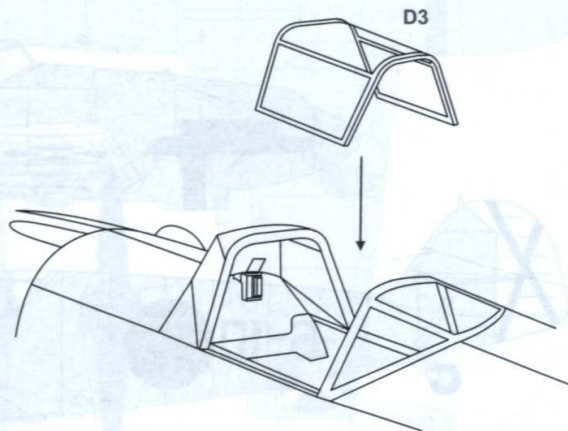
14



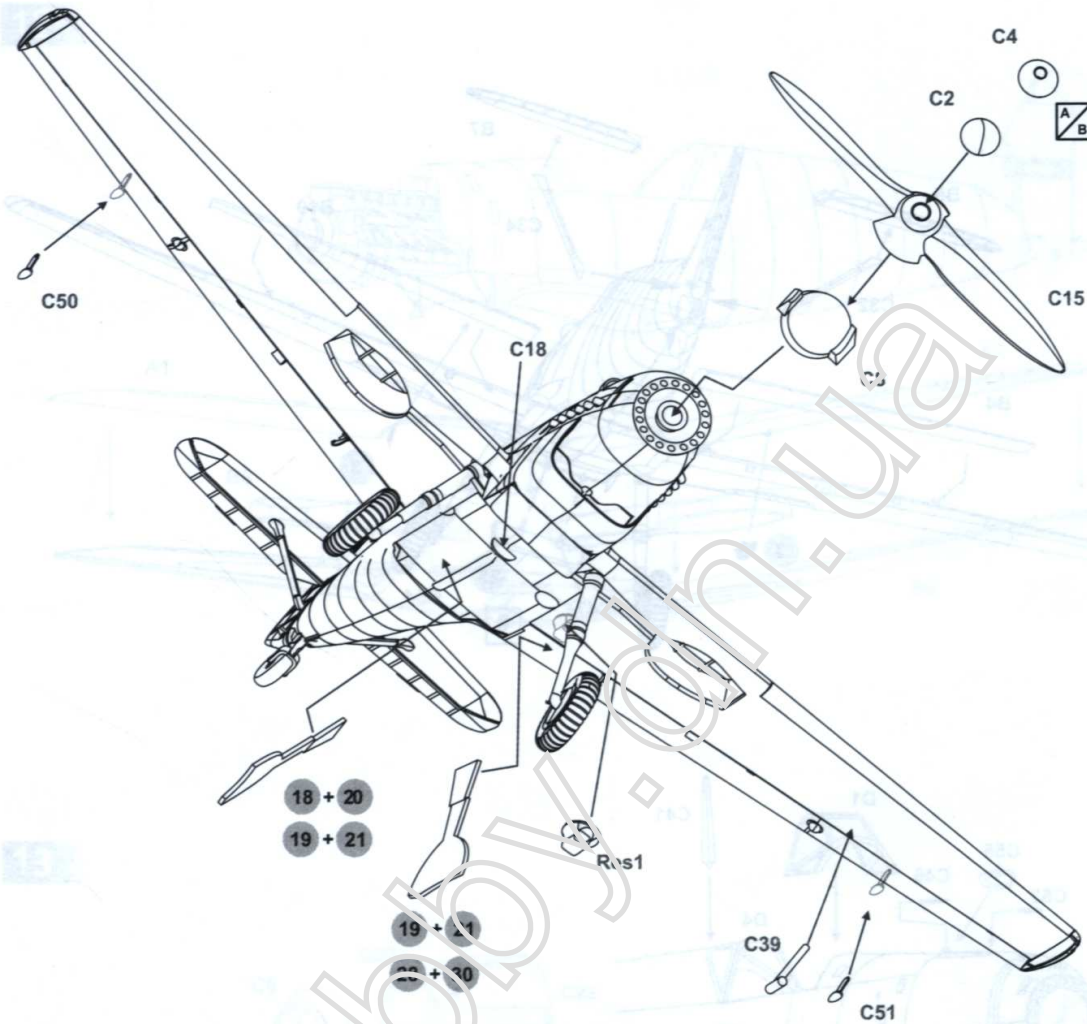
15



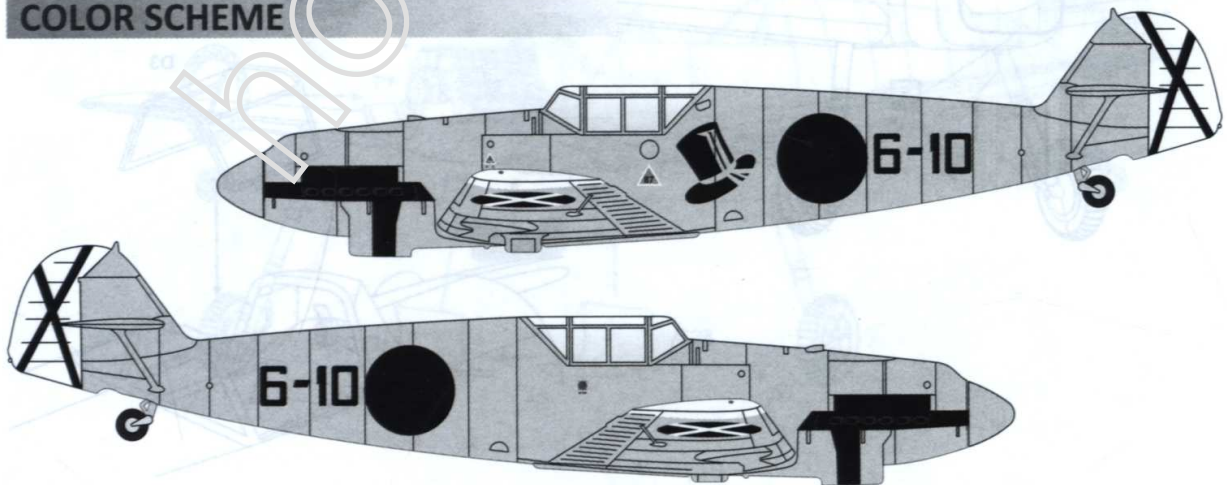
16



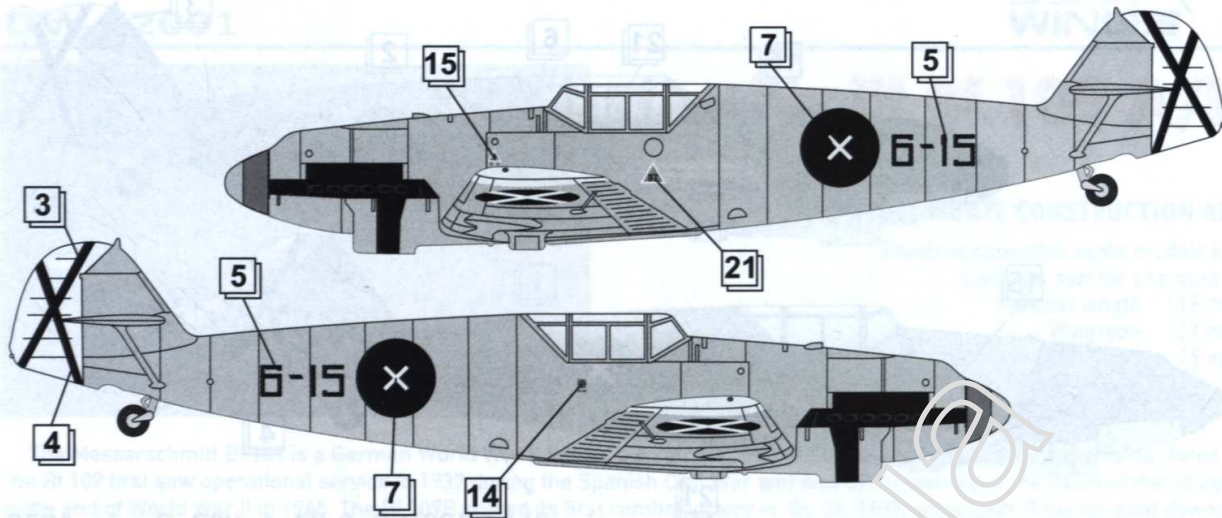
17



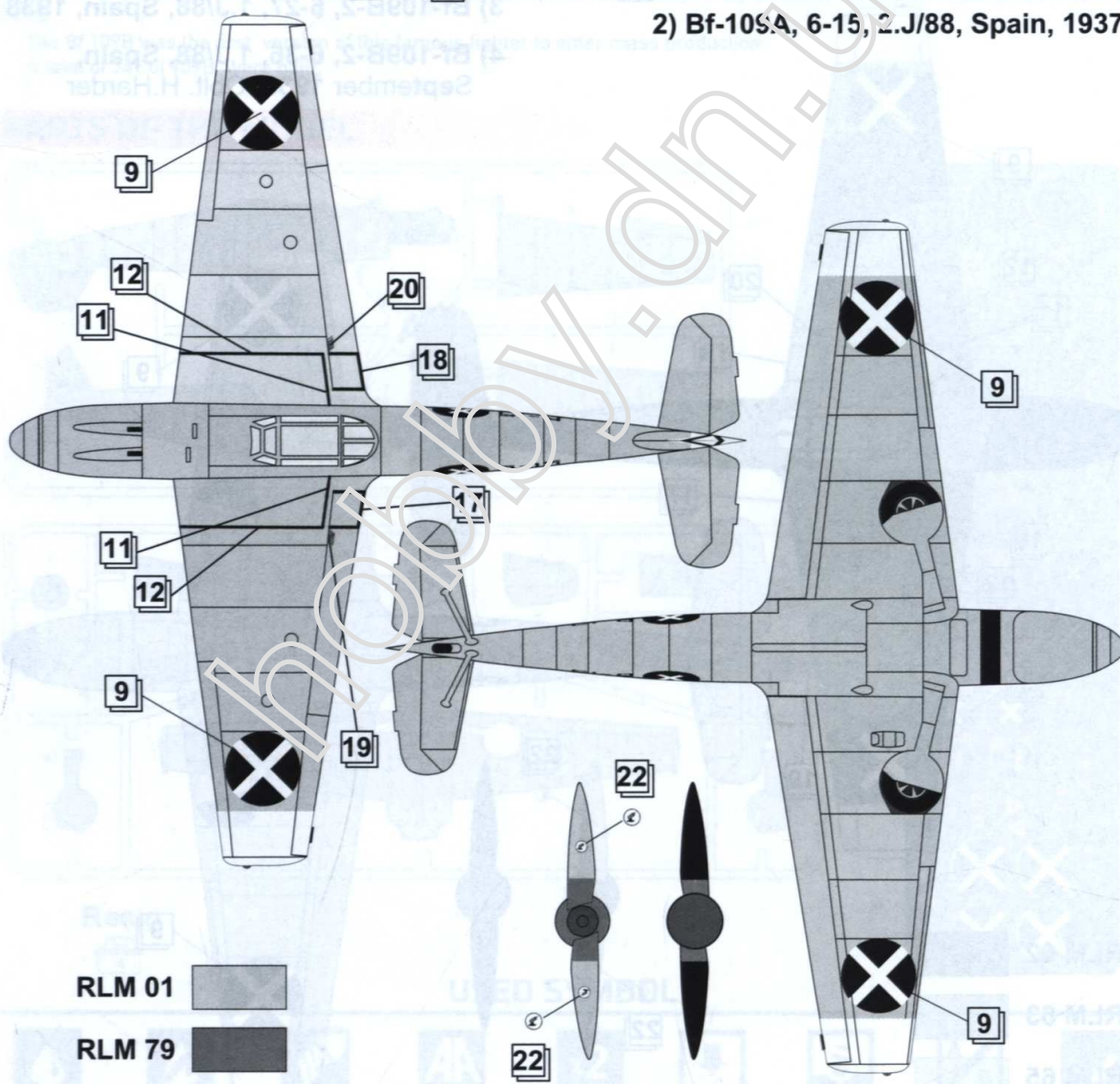
COLOR SCHEME

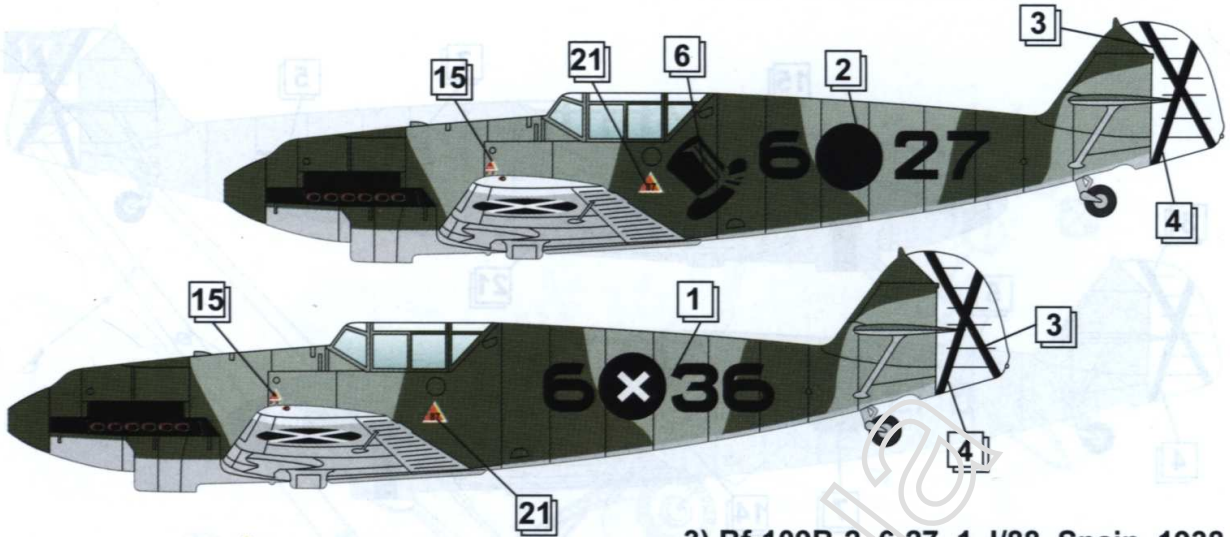


1) Bf-109A, 6-10, 2.J/88, Unteroffizier Ernst Mratzek, Spain, march 1937



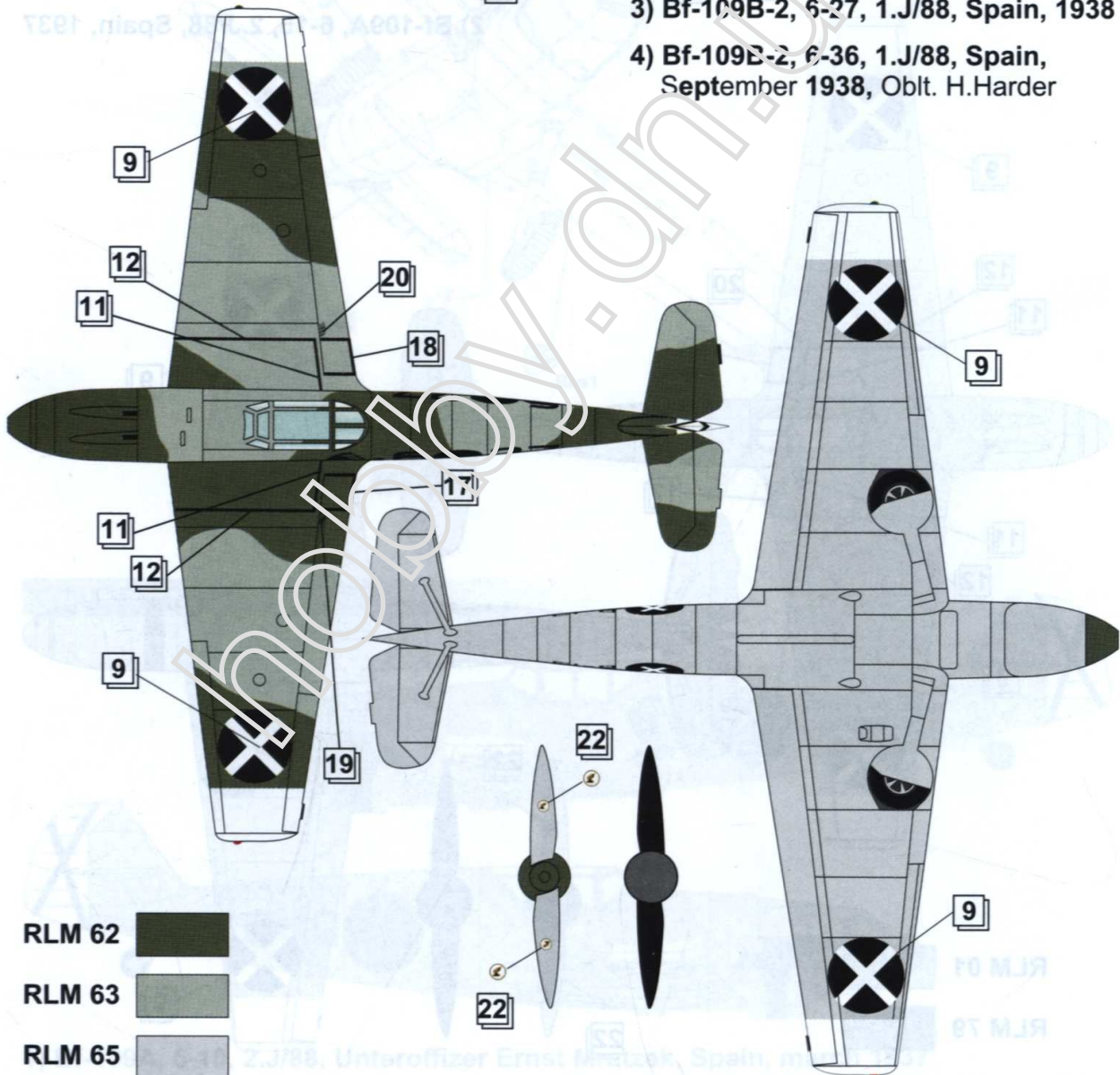
2) Bf-109A, 6-15, 2.J/88, Spain, 1937





3) Bf-109B-2, 6-27, 1.J/88, Spain, 1938

4) Bf-109E-2, 6-36, 1.J/88, Spain, September 1938, Oblt. H.Harder



- RLM 62
- RLM 63
- RLM 65