

DW 72014



Percival Proctor Mk.III

1/72 SCALE MODEL CONSTRUCTION KIT

Ready to assemble scale models kit.

Contains part for one model.

Model length: 112 mm

Wingspan: 168 mm

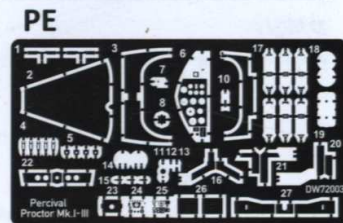
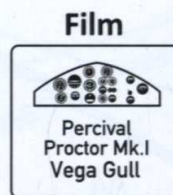
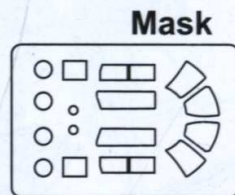
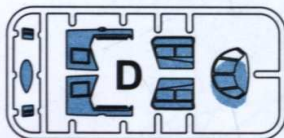
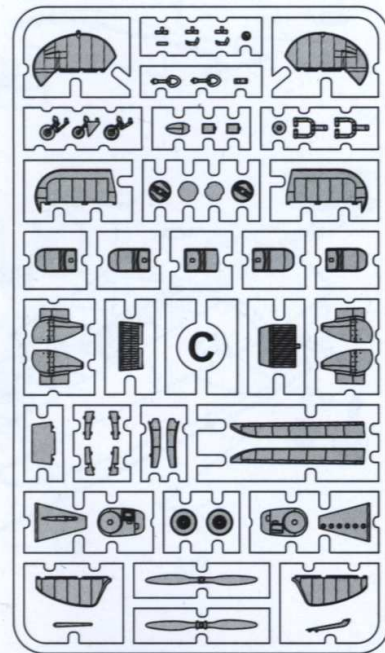
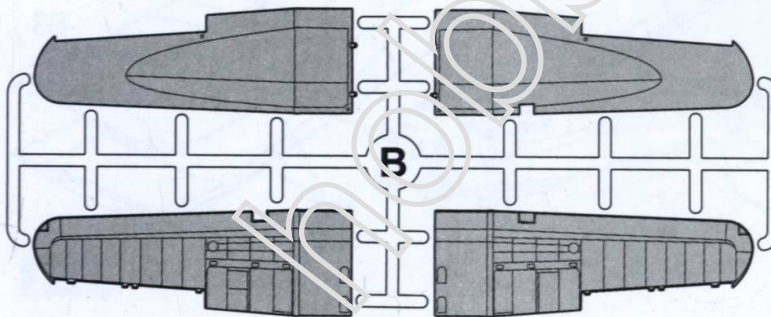
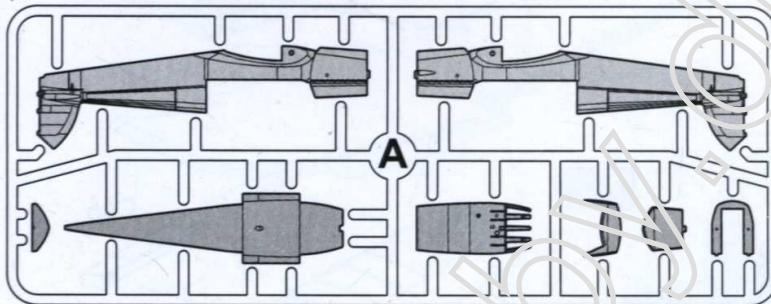
Plastic parts: 57

Photoetched parts: 47

The Proctor was developed from the Percival Vega Gull in response to Air Ministry Specification 21/35 for a radio trainer and communications aircraft. A total of 1143 pcs were built. Mod. P.34 Proctor III - three-seat radio trainer for Bomber Command radio operators. 437 built.

The Percival Proctor was created on the basis of the original drawings, which were given to the company of Dora Wings by **Mr. John Adams (Aeroclub company)**. He also advised the designers of the company, and provided help. The team of Dora Wings expresses great gratitude to John Adams for help and advice. You're the man John!

PARTS OF THE MODEL



USED SYMBOLS



CEMENT



DON'T CEMENT



REMOVE



SYMMETRICAL



MULTIPLE



BEND



OPEN WHOLE

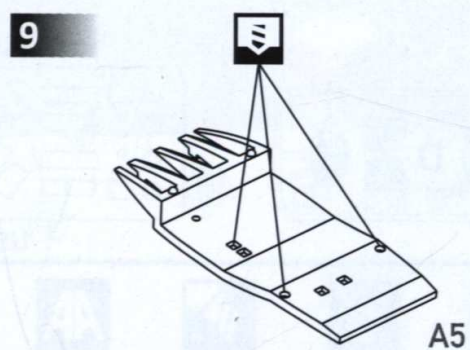
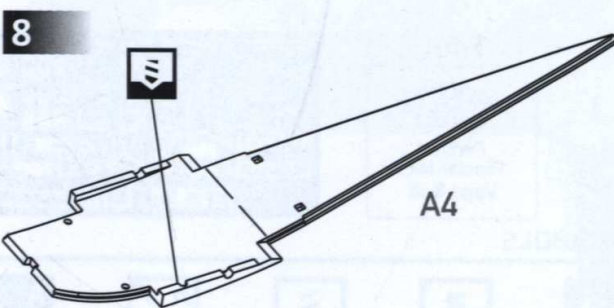
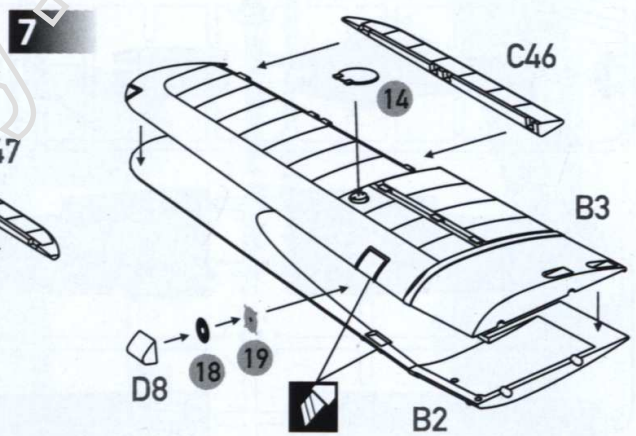
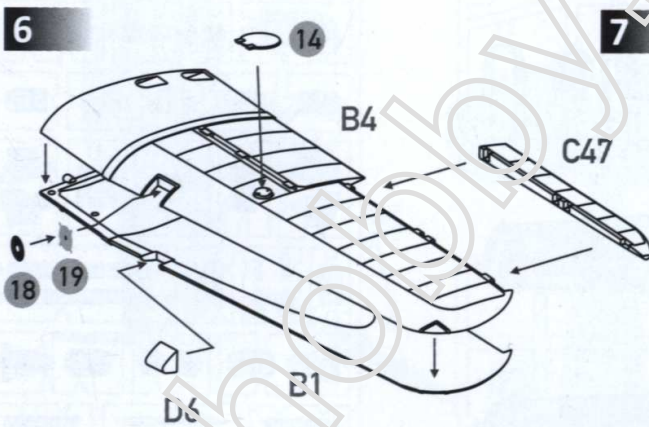
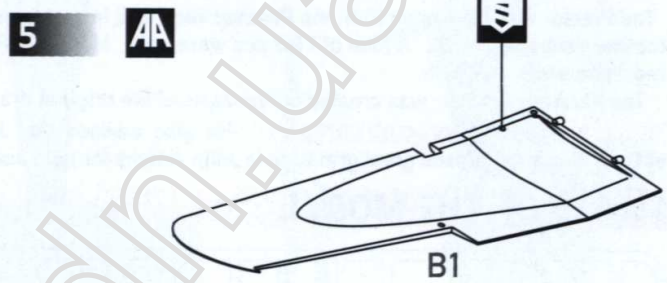
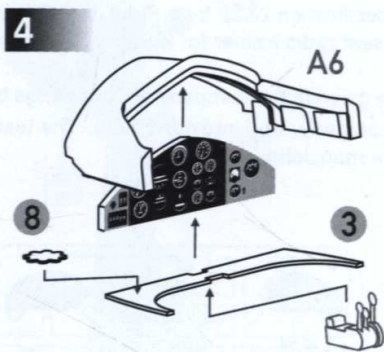
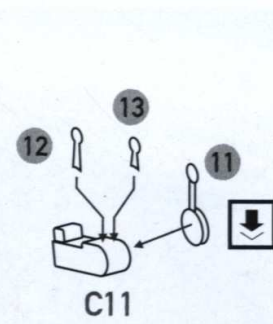
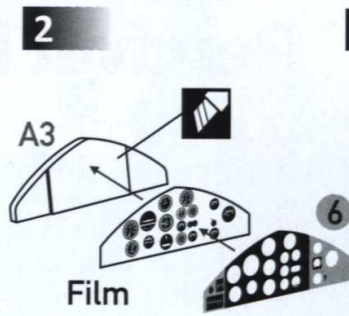
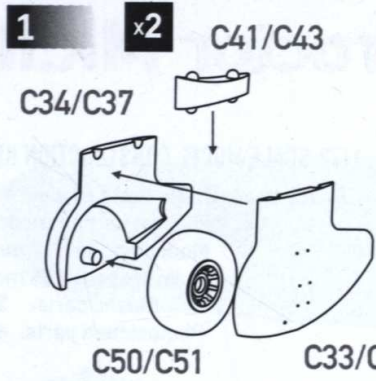


VARIANTS

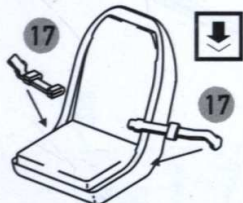


TO PAINT

ASSEMBLY INSTRUCTION



10 x2

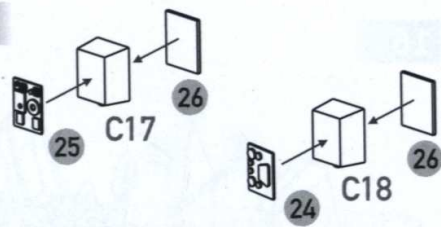


C28/29

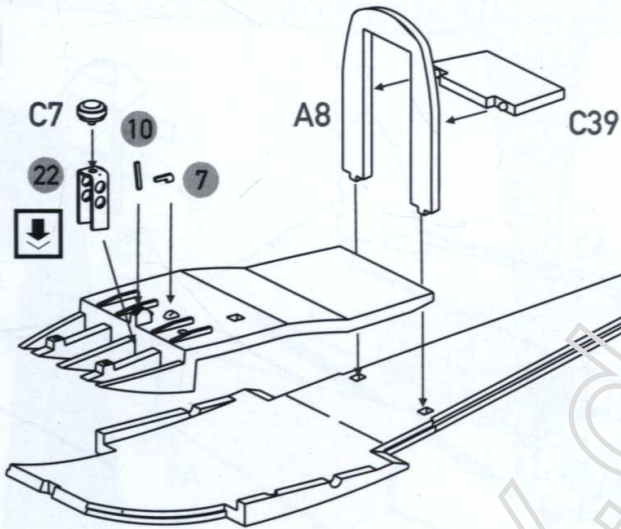
11



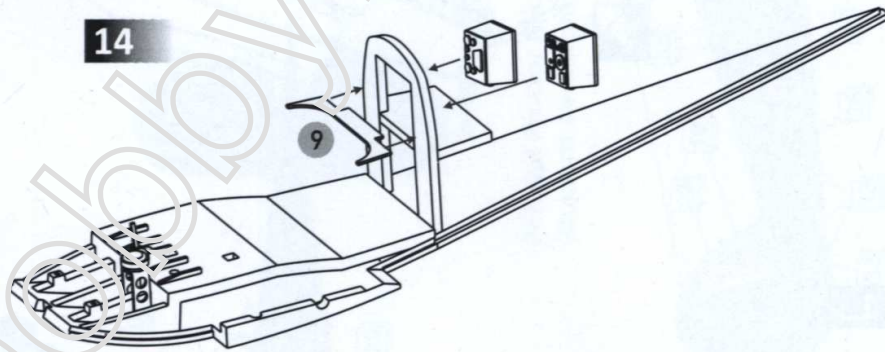
12



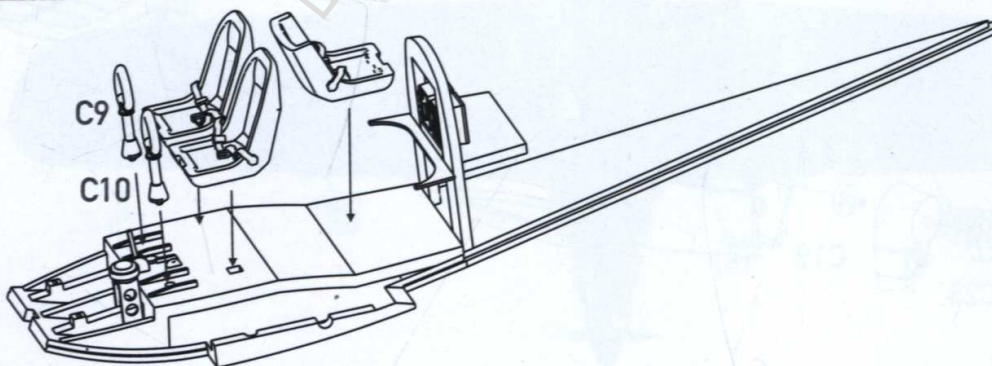
13



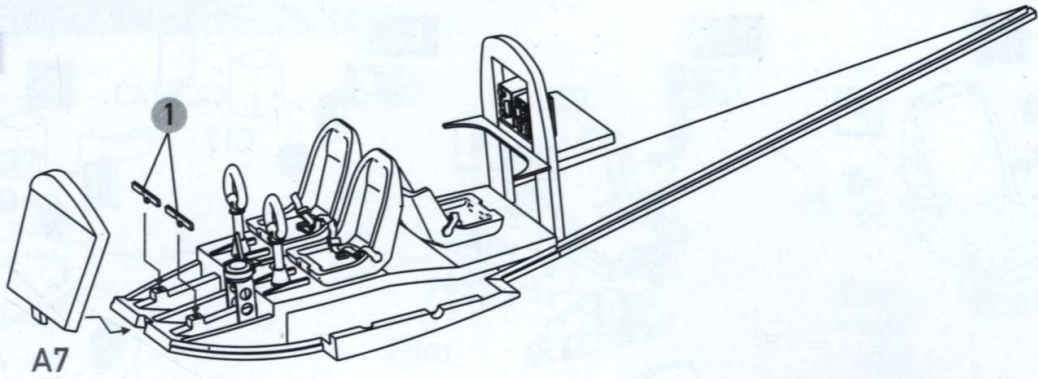
14



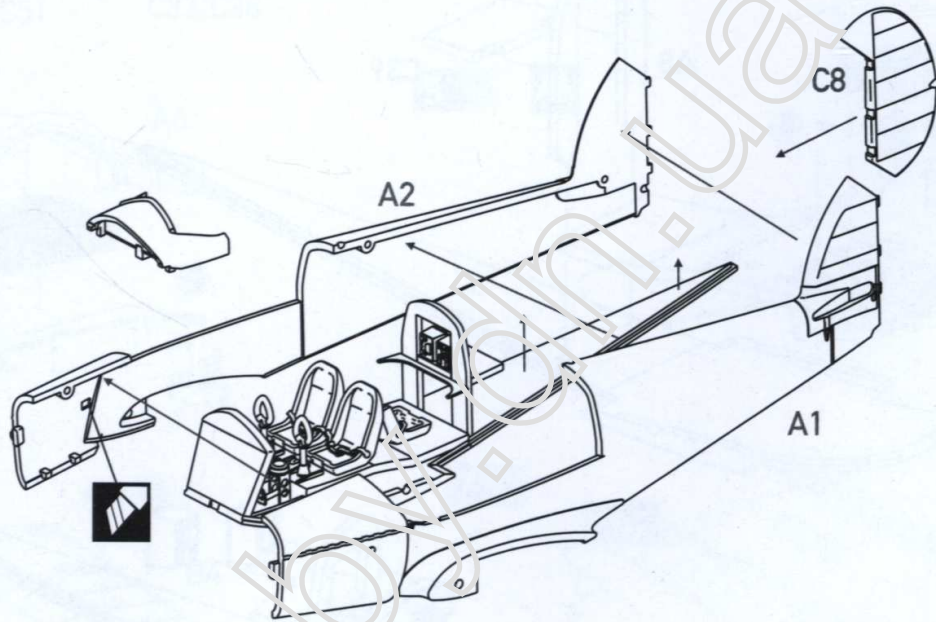
15



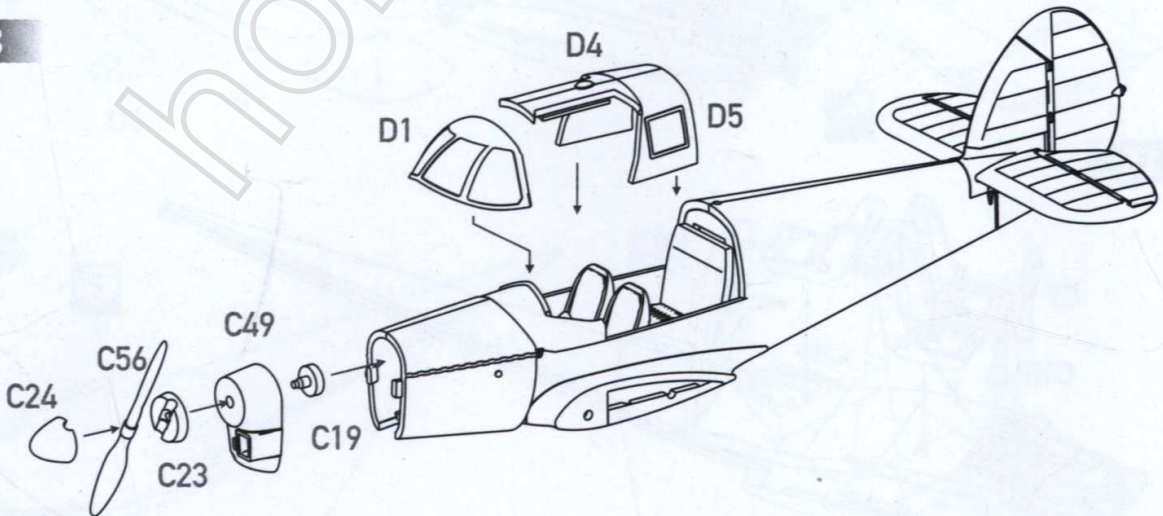
16



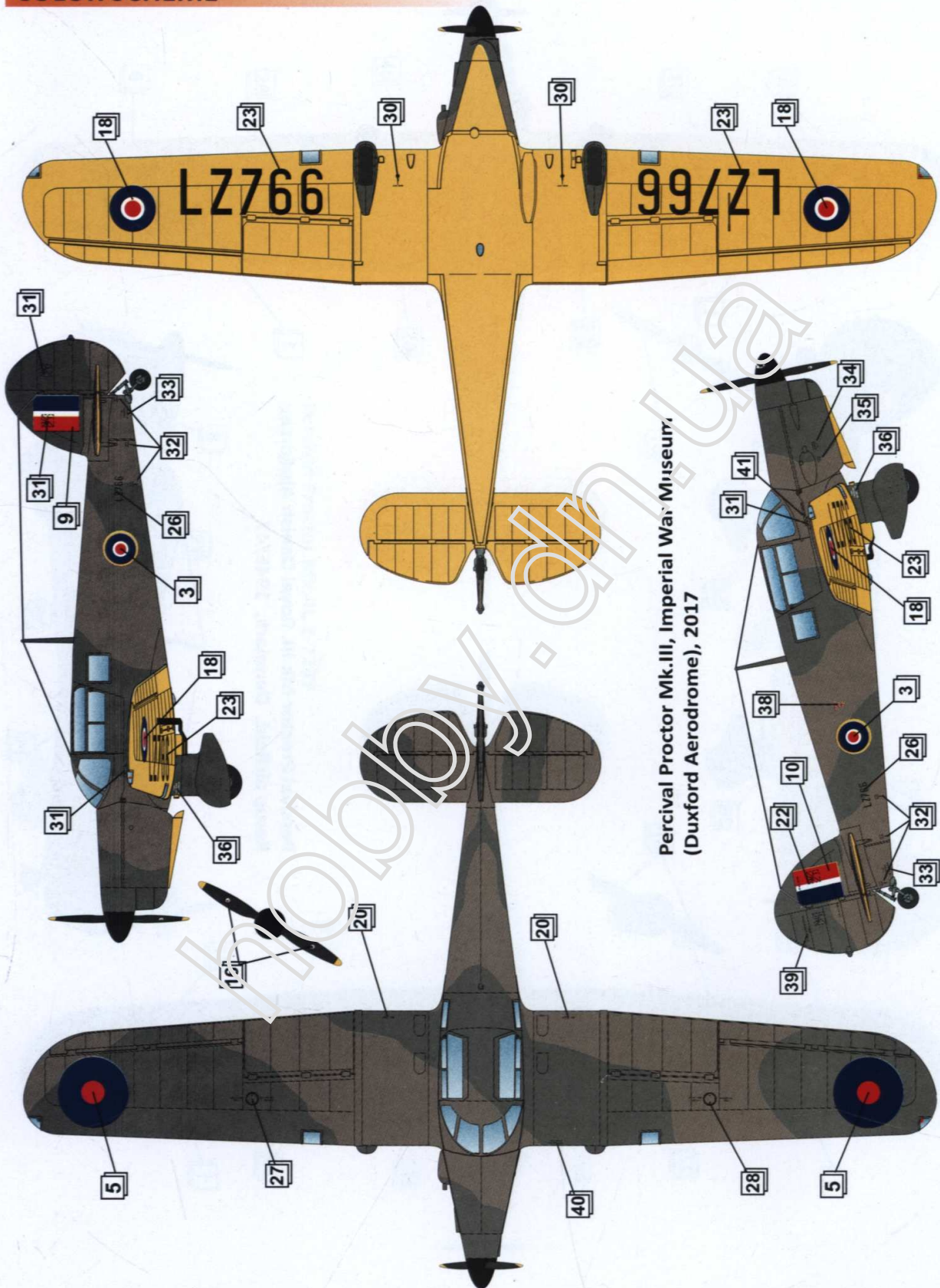
17



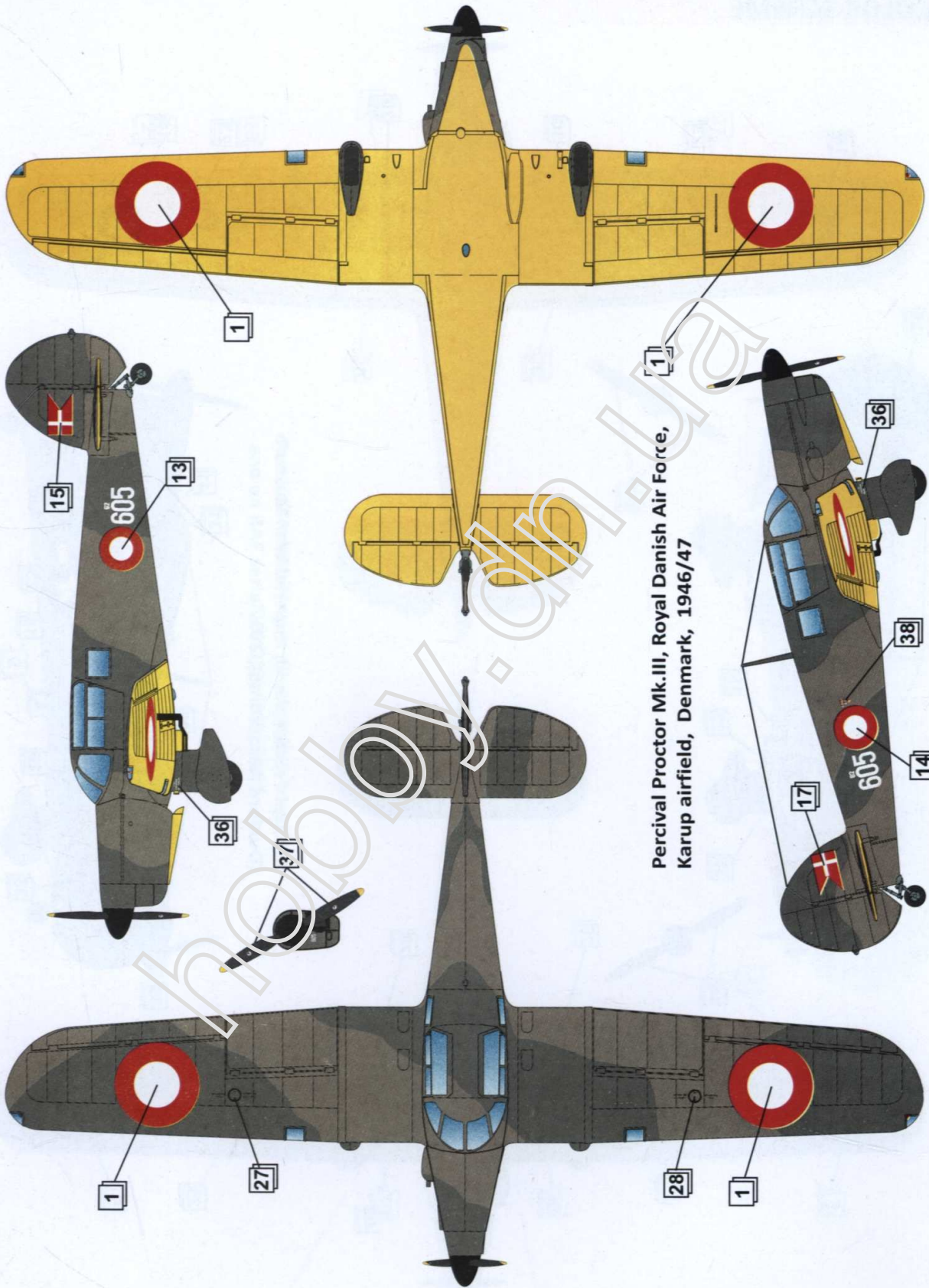
18



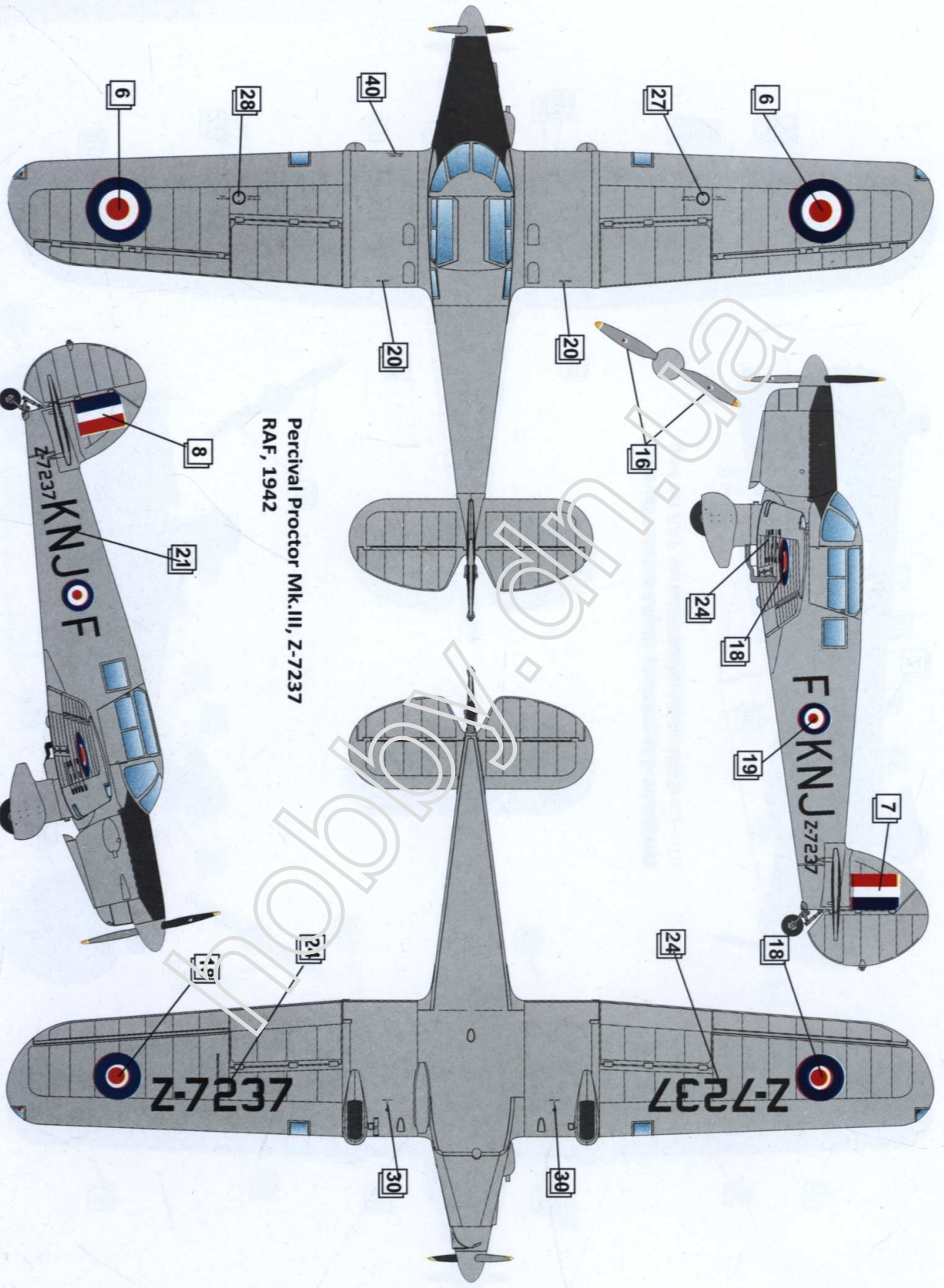
COLOR SCHEME



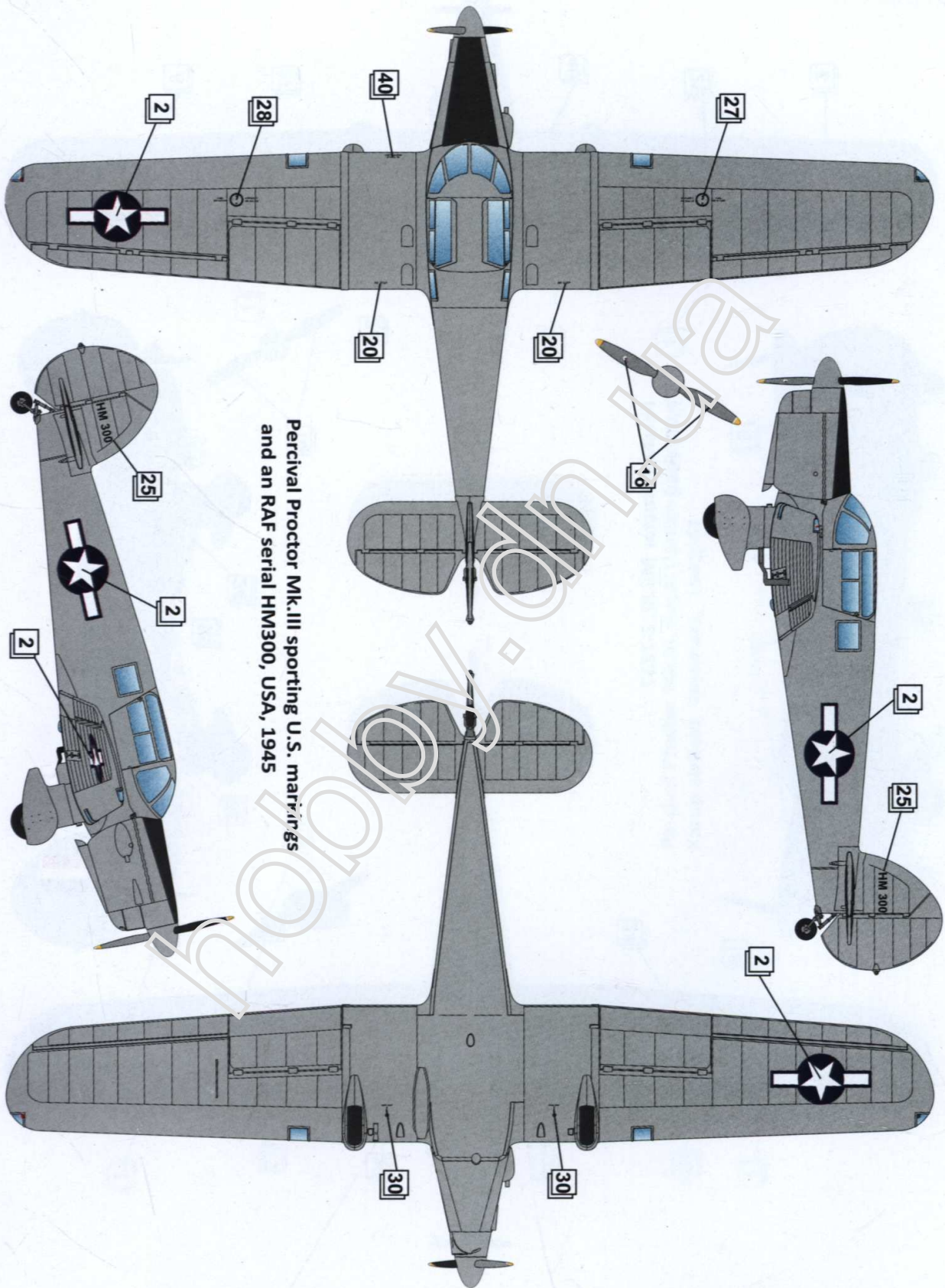
Percival Proctor Mk.III, Imperial War Museum, (Duxford Aerodrome), 2017



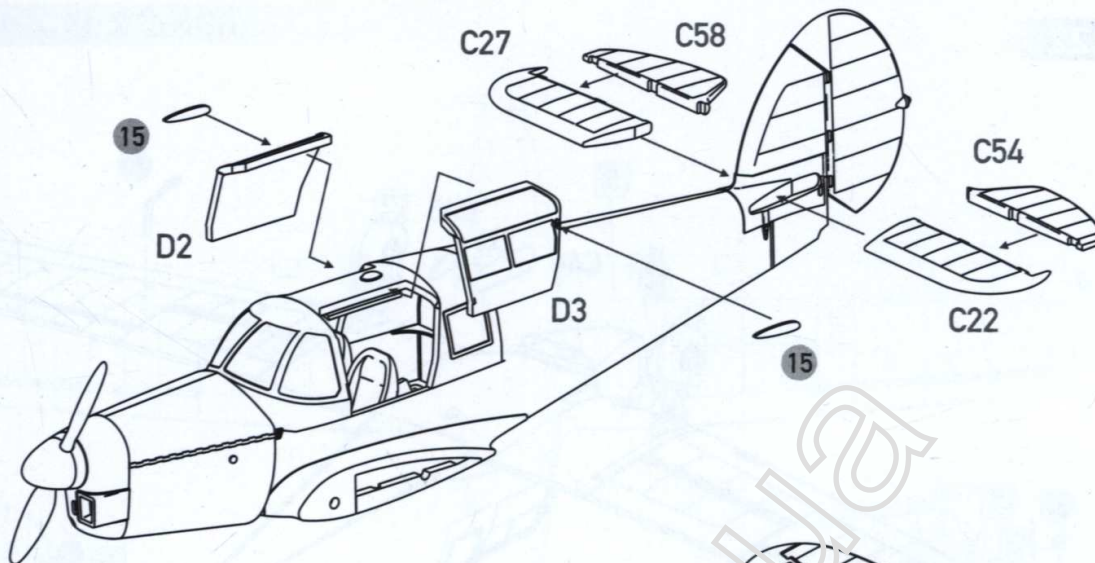
Percival Proctor Mk.III, Royal Danish Air Force,
 Karup airfield, Denmark, 1946/47



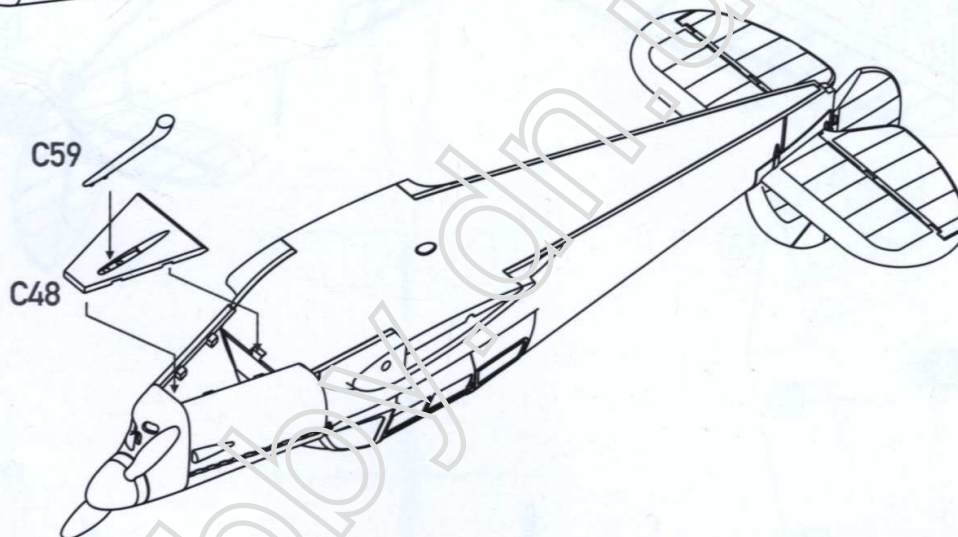
Percival Proctor Mk.III, Z-7237
RAF, 1942



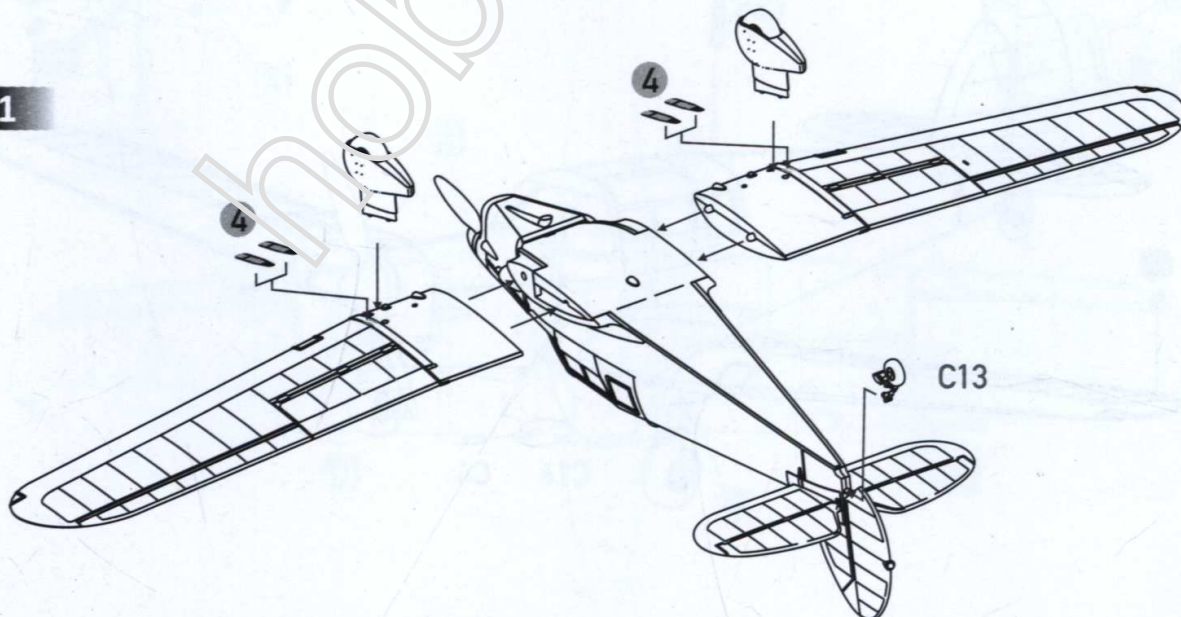
19



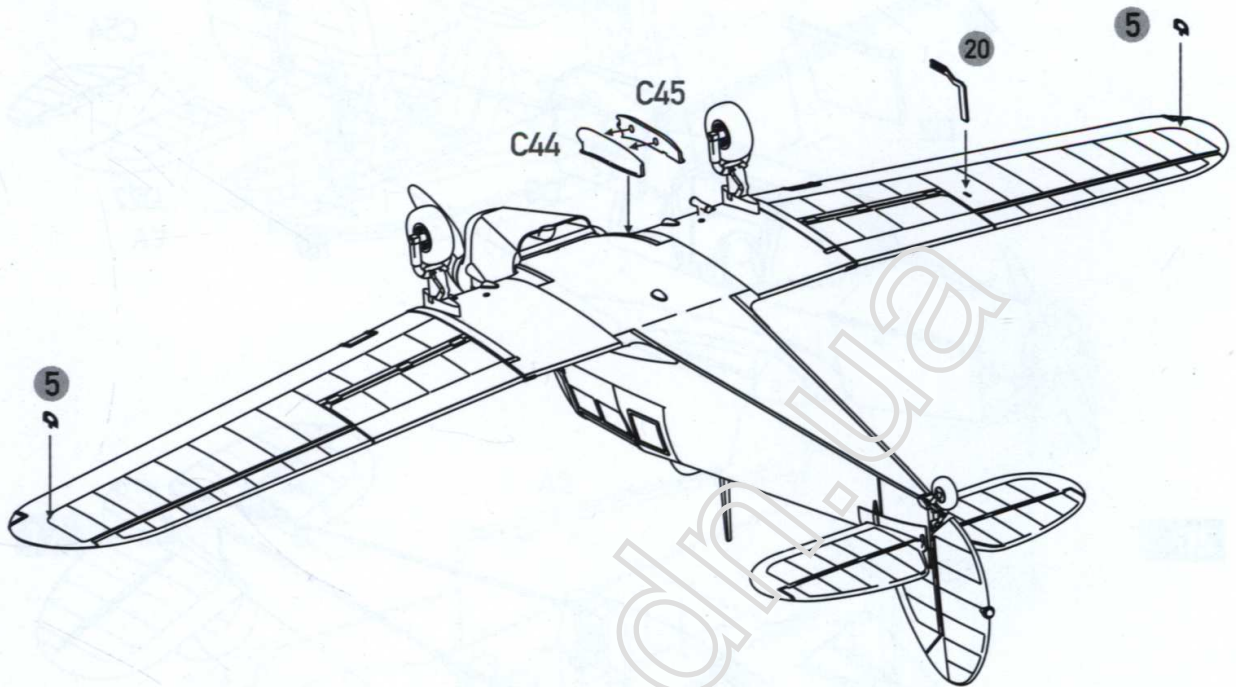
20



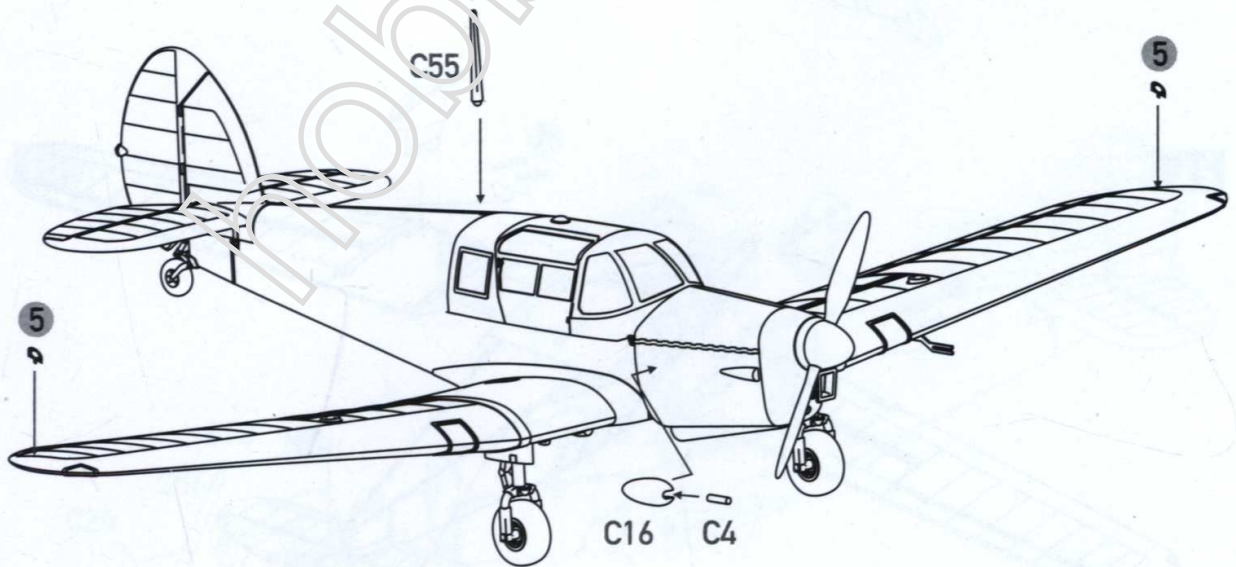
21



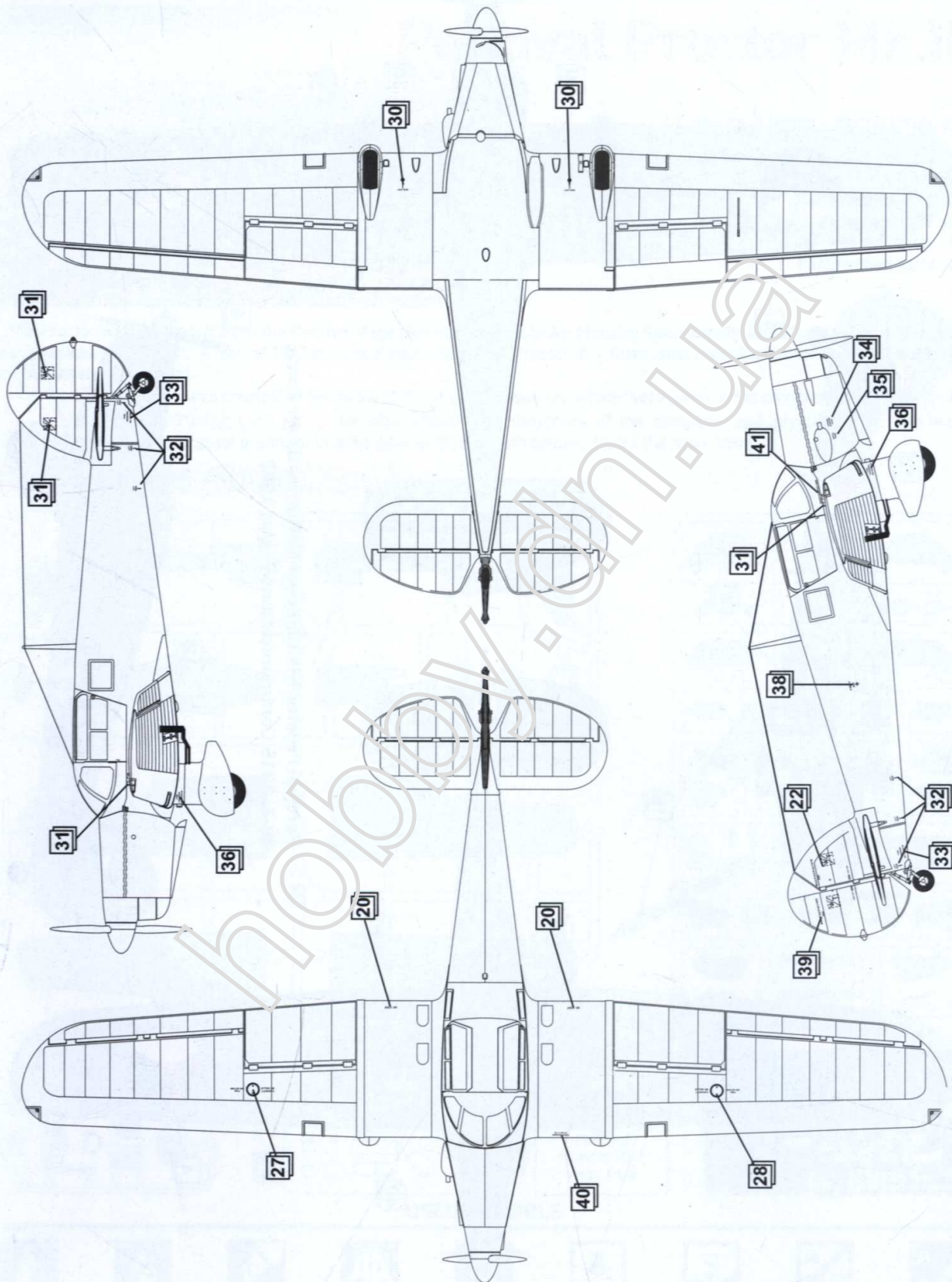
22

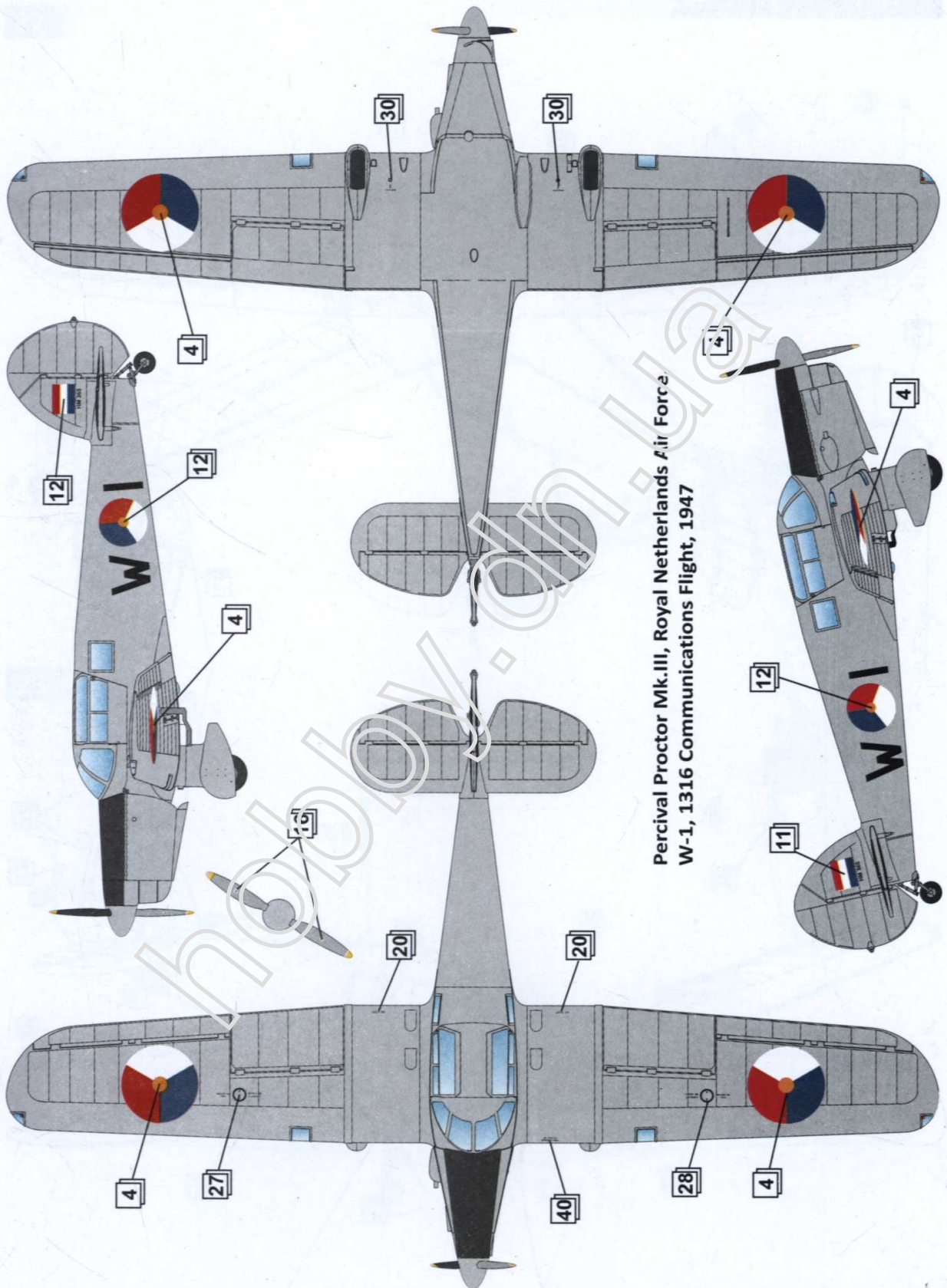


23



TECHNICAL STENCIL





Percival Proctor Mk.III, Royal Netherlands Air Force
 W-1, 1316 Communications Flight, 1947