



Savoia-Marchetti S.55

1/72 SCALE MODEL CONSTRUCTION KIT

Ready to assemble scale models kit.

Contains part for one model.

Model length: 225 mm

Wingspan: 332 mm

Plastic parts: 186

Photoetched parts: 29

The Savoia-Marchetti S.55 was a double-hulled flying boat produced in Italy, beginning in 1924. Shortly after its introduction, it began setting records for speed, payload, altitude and range.

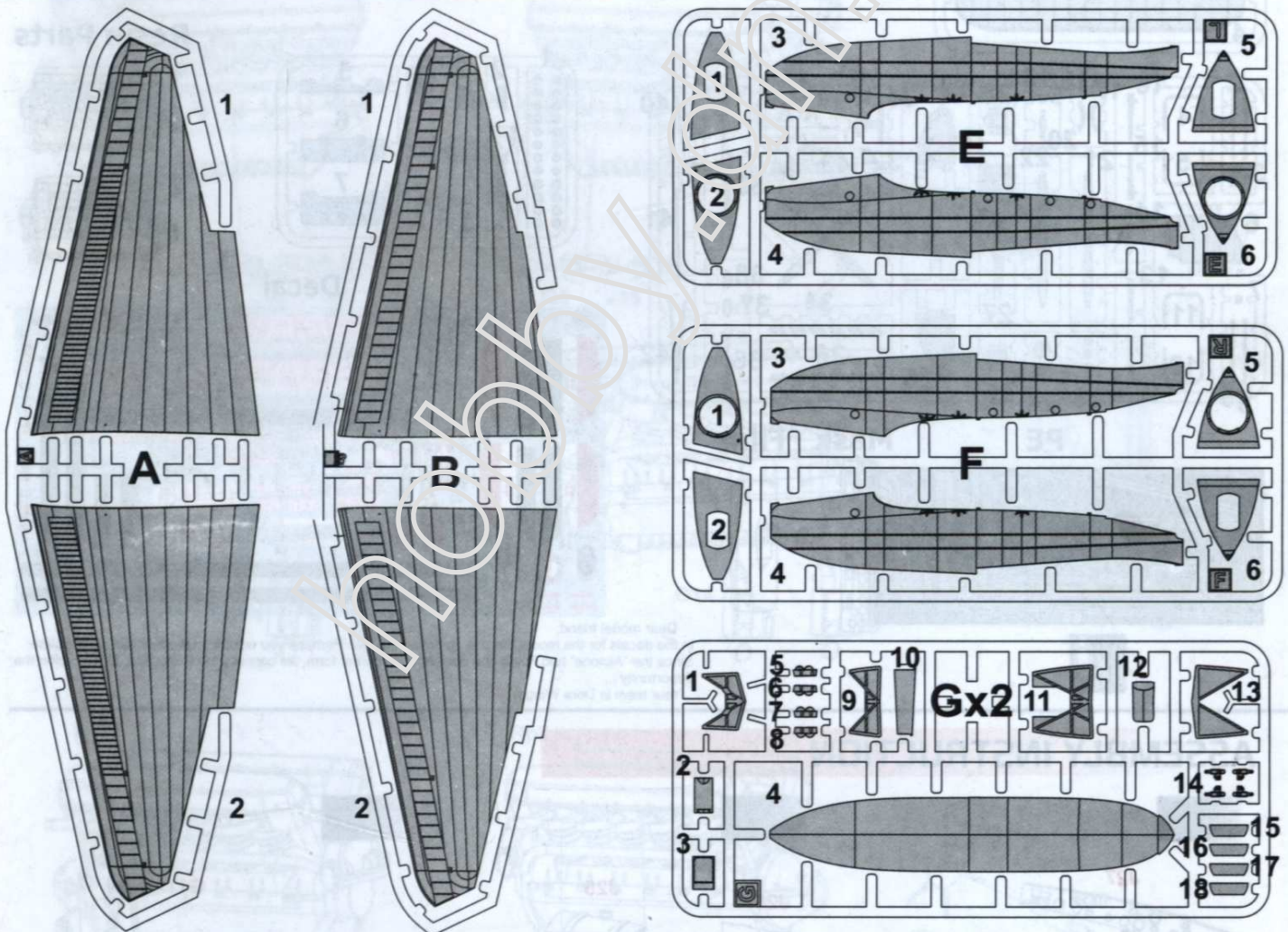
The first S.55 crossing was made in 1927 by the Santa Maria under Francesco de Pinedo. After flying south to Bolama, at that time in Portuguese Guinea they hoped to cross the ocean without another stop but were forced down at Cape Verde, reaching Brazil on 23 February 1927. After the crossing, the aircraft was traded to Brazil for coffee beans.

The Brazilian João Ribeiro de Barros and his crew of three made another crossing in S.55 "Jahú" on 24 April 1927. Departing from Santiago Island, he crossed the Atlantic in "Jahú" and landed at Fernando de Noronha Island, Brazil.

Pilots Francesco de Pinedo and Carlo del Prete took off from Sesto Calende, Italy, in an S-55. Four months later, they arrived back in Italy, having flown nearly 48,280 km (30,000 mi) in 193 flying hours and having made just over 50 stops, including Rio de Janeiro, Buenos Aires and New York City. Number built 243+

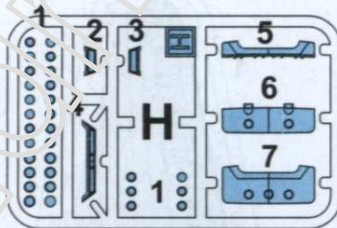
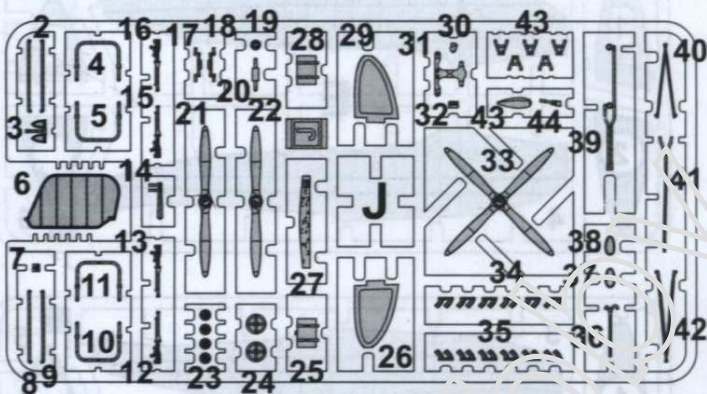
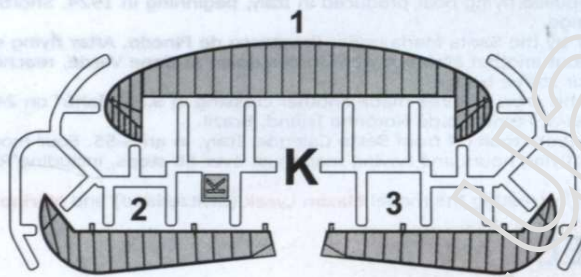
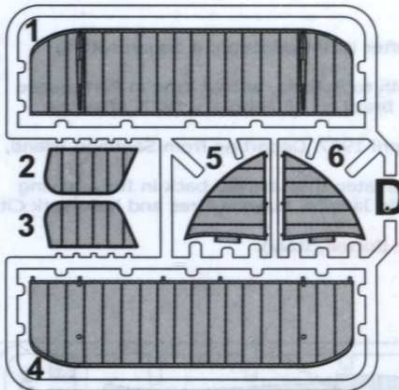
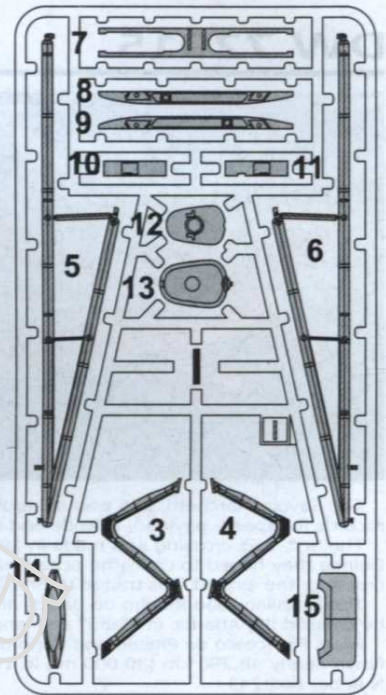
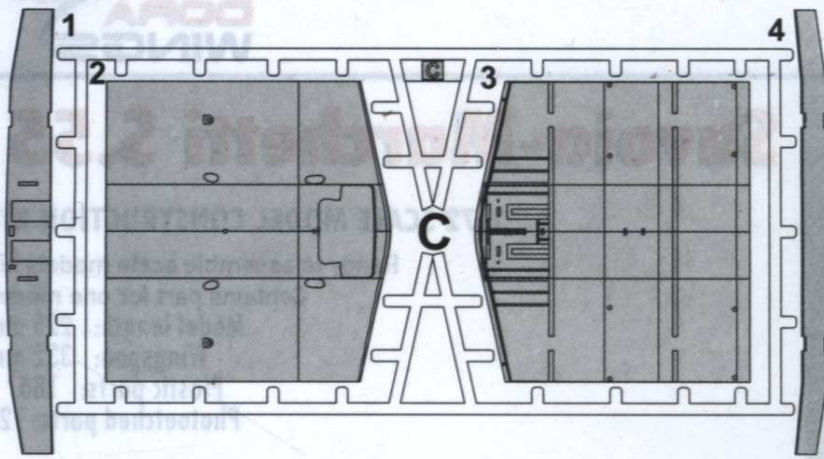
Dora Wings company thanks for the help in creating the model Maxim Lysak (Switzerland) and Marino De Bortoli (Italy).

PARTS OF THE MODEL

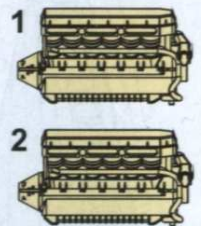


USED SYMBOLS

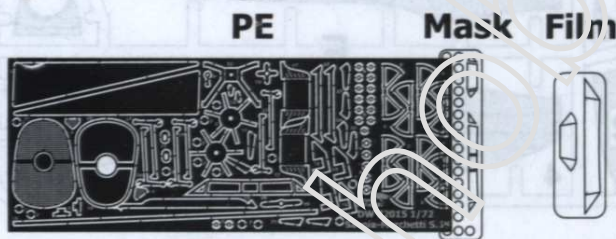
CEMENT	DON'T CEMENT	REMOVE	SYMMETRICAL	MULTIPLE	BEND	OPEN WHOLE	VARIANTS	TO PAINT



Resin Parts

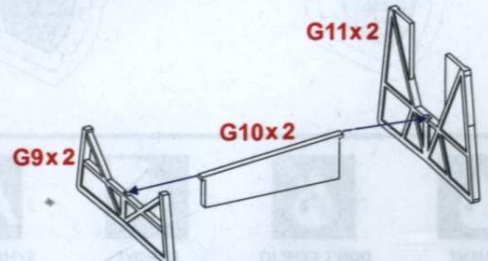
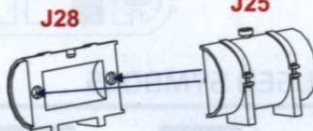
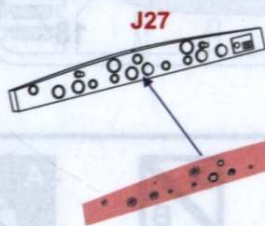


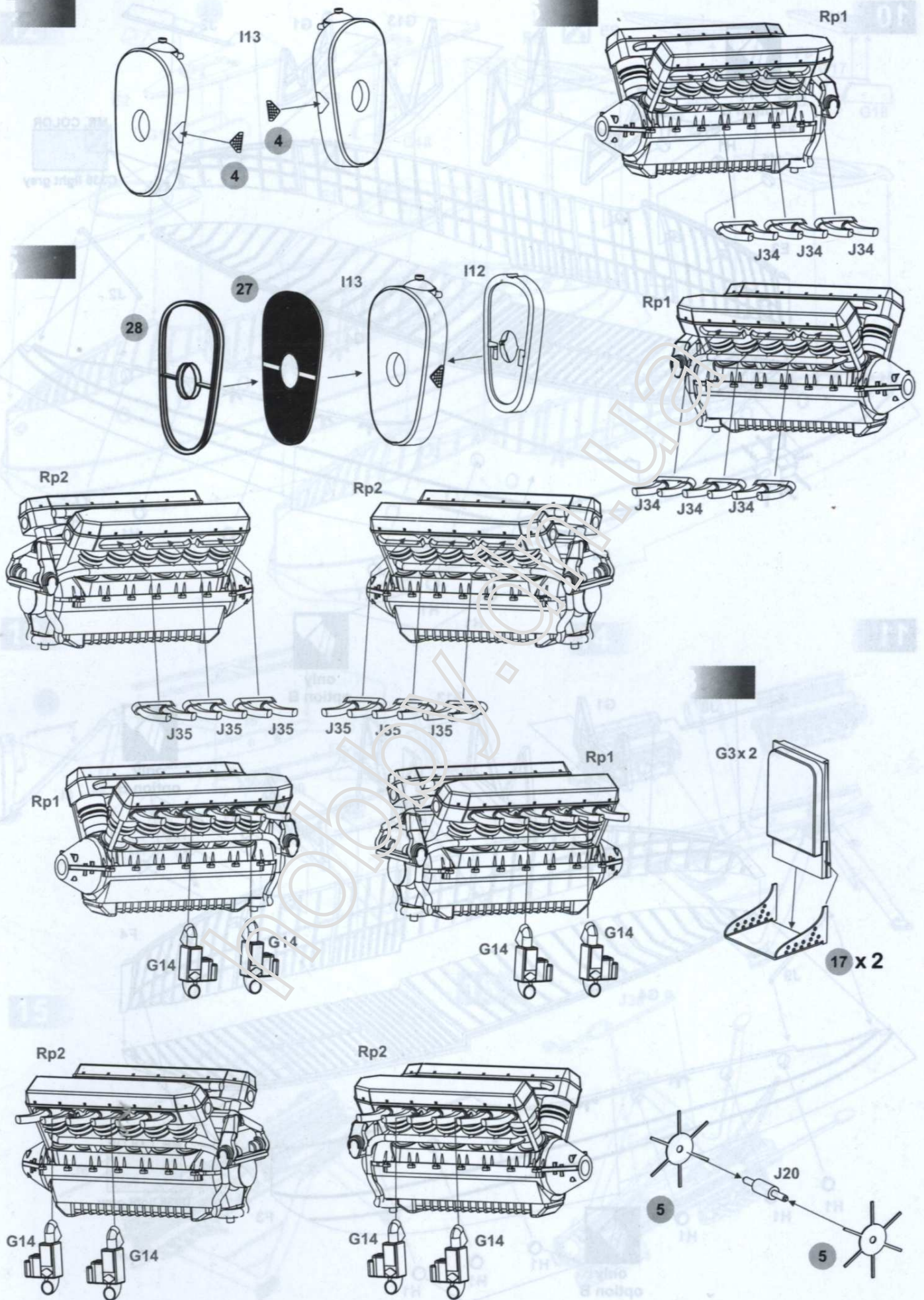
Decal



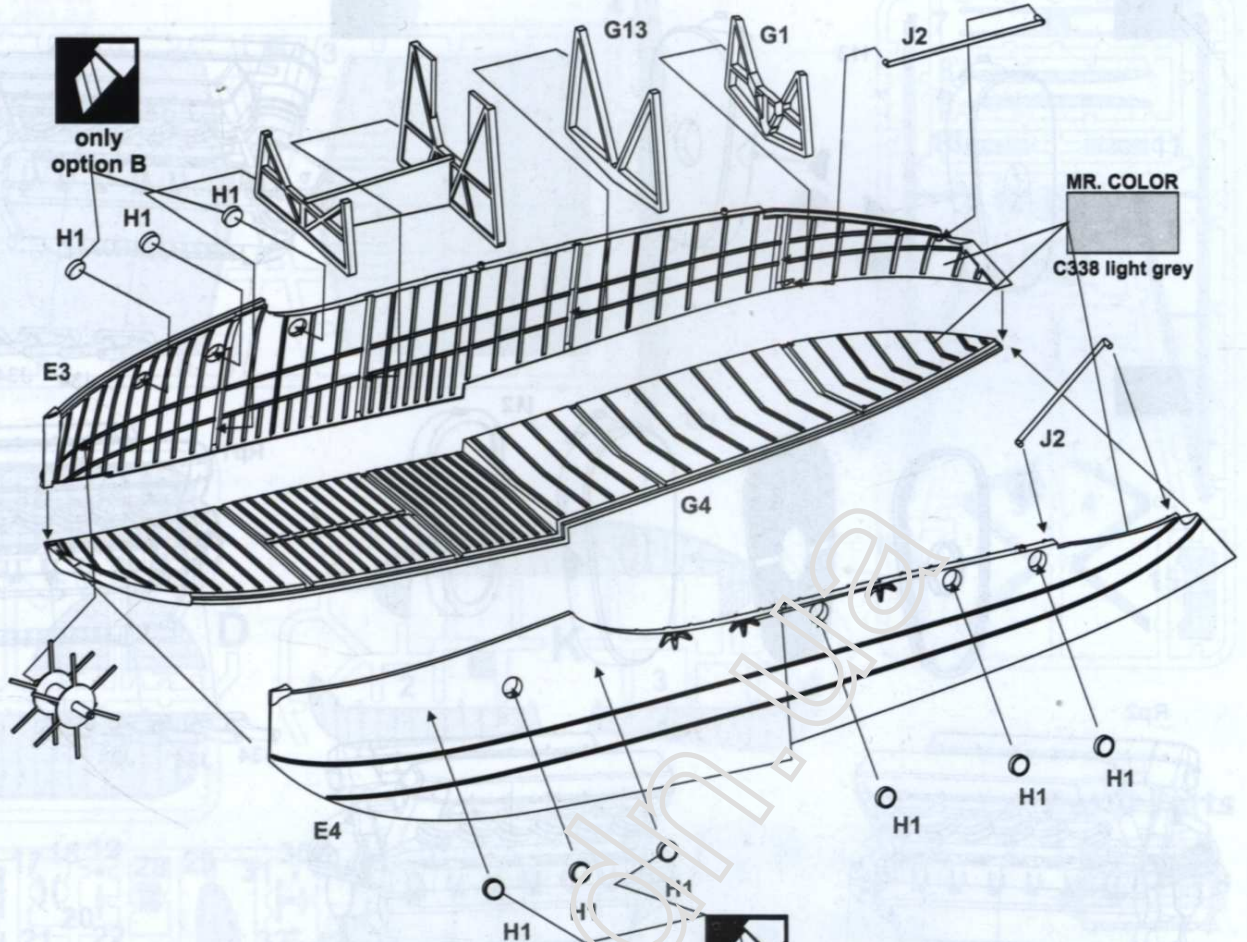
Dear model friend,
 In the decals for the model there is an option I-SAAV. Perhaps you want to make this particular option. Since the "Alcione" had floats of a completely different form, we cannot offer this option. But we offer the opportunity ...
 Your team is Dora Wings.

ASSEMBLY INSTRUCTION

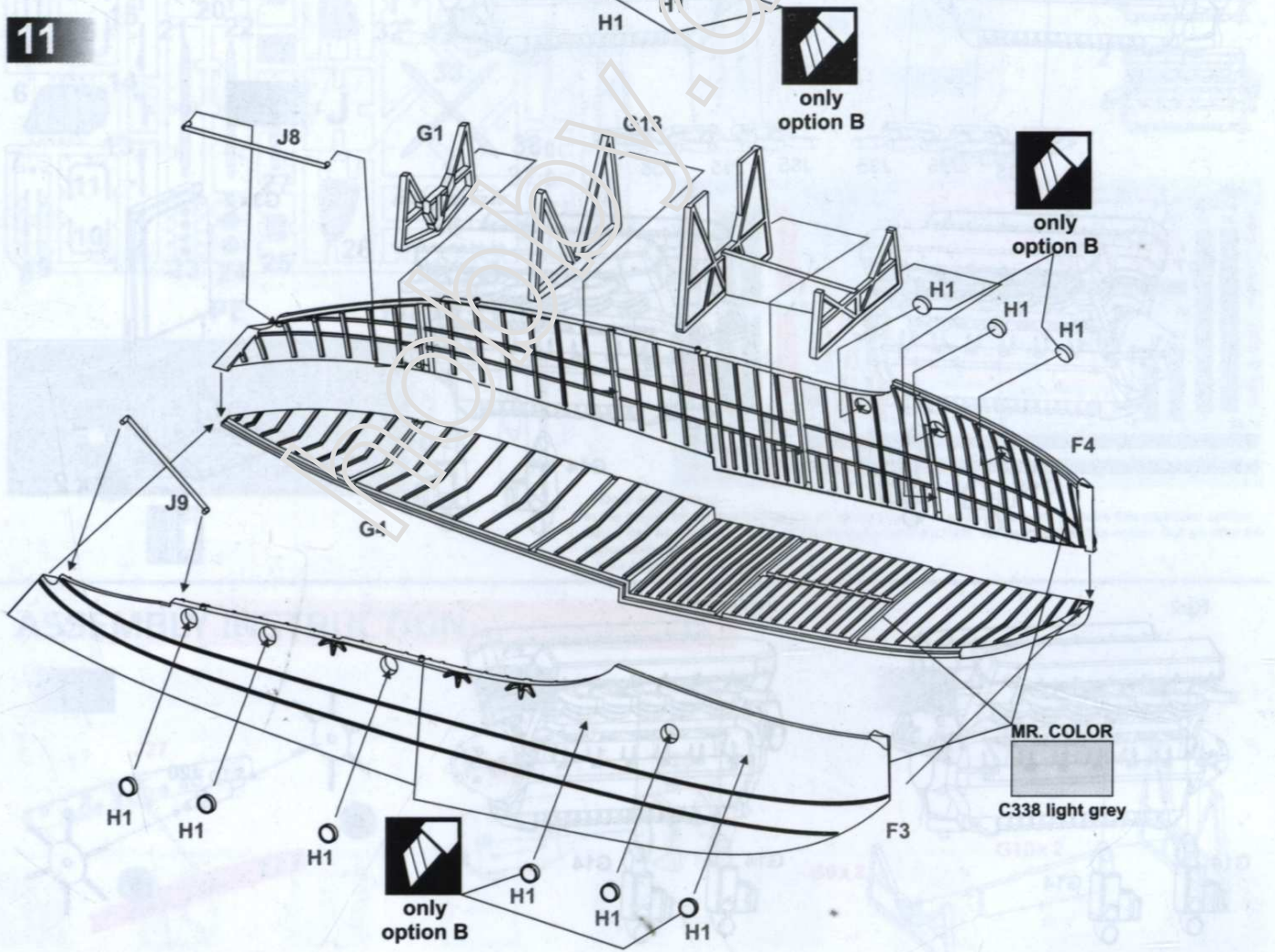




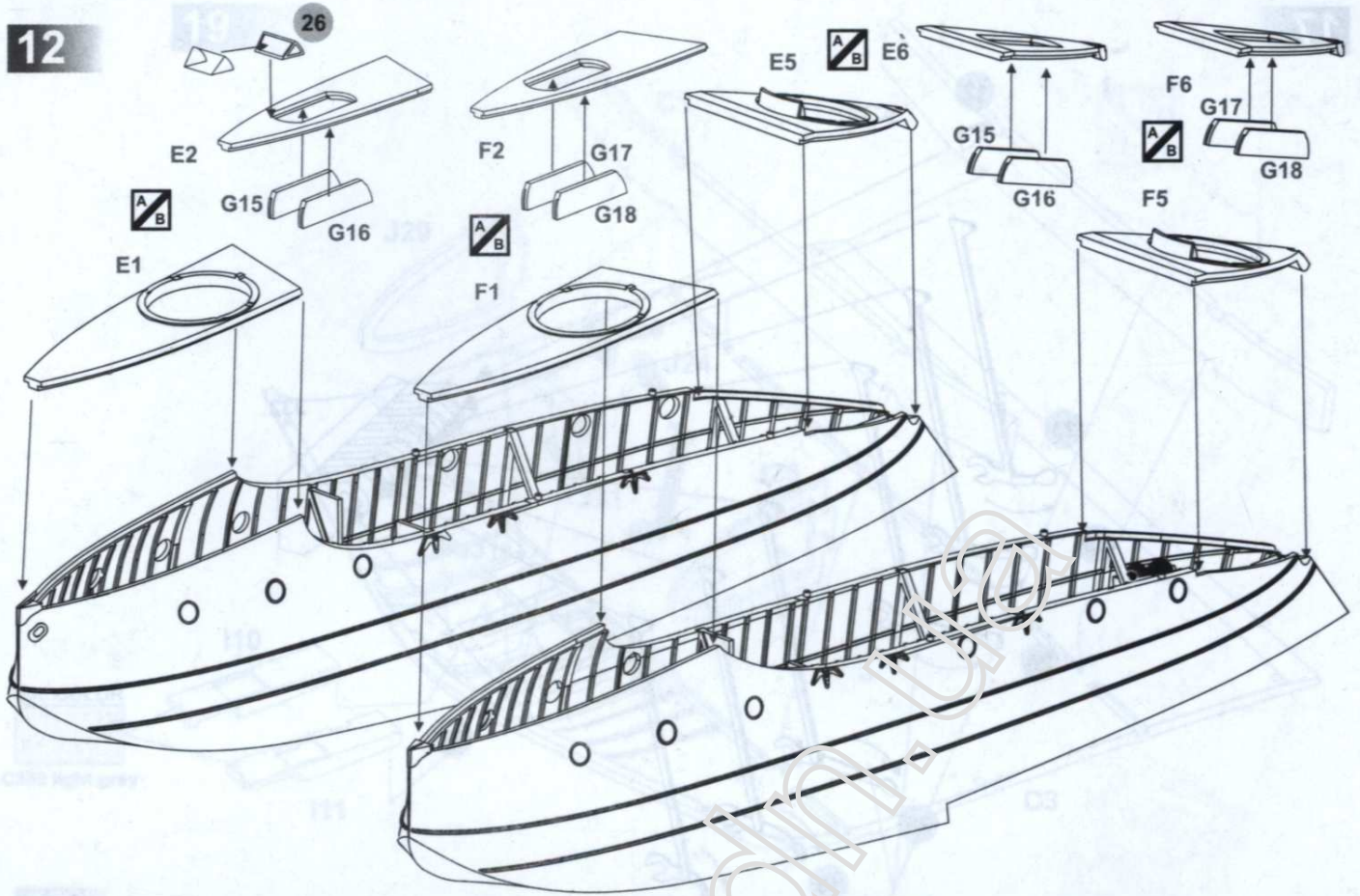
10



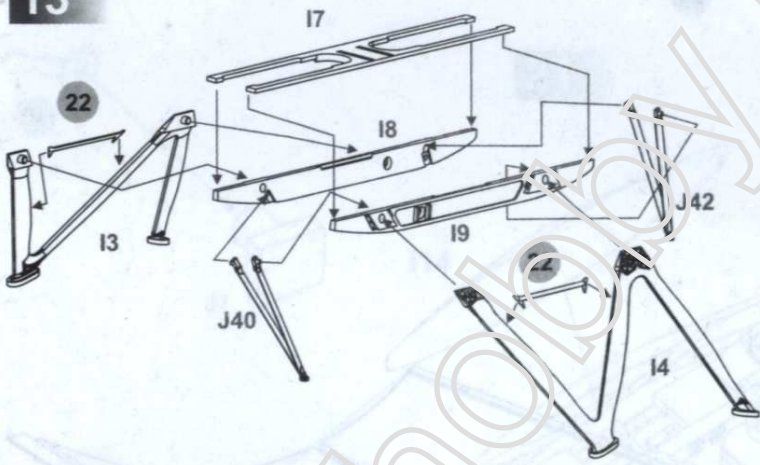
11



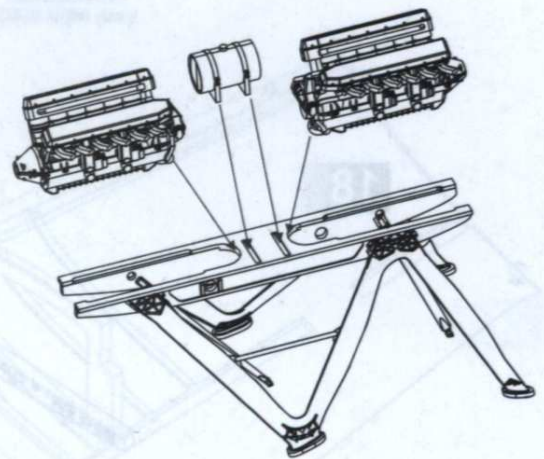
12



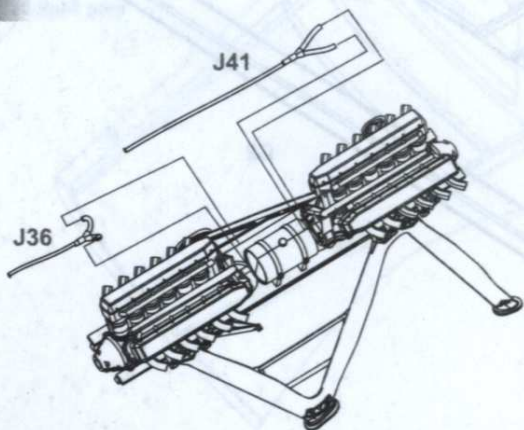
13



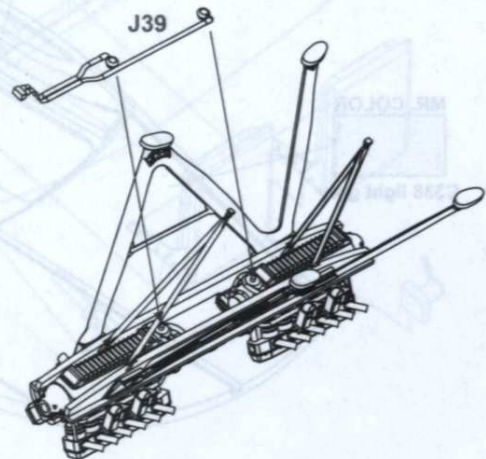
14



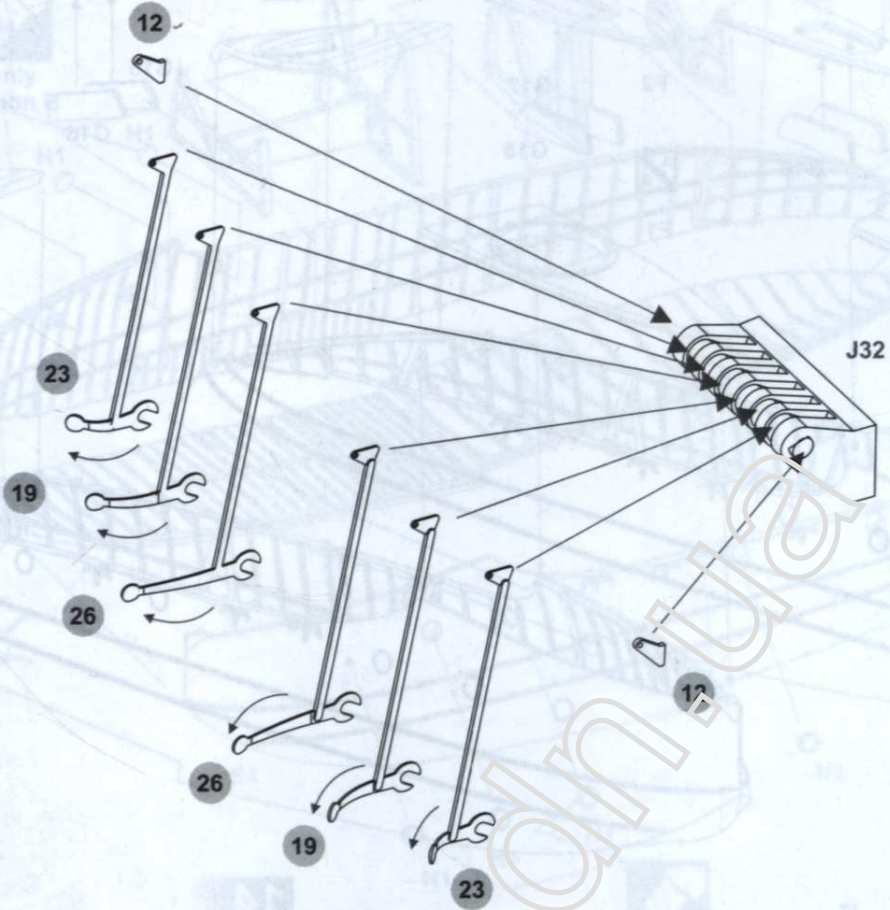
15



16

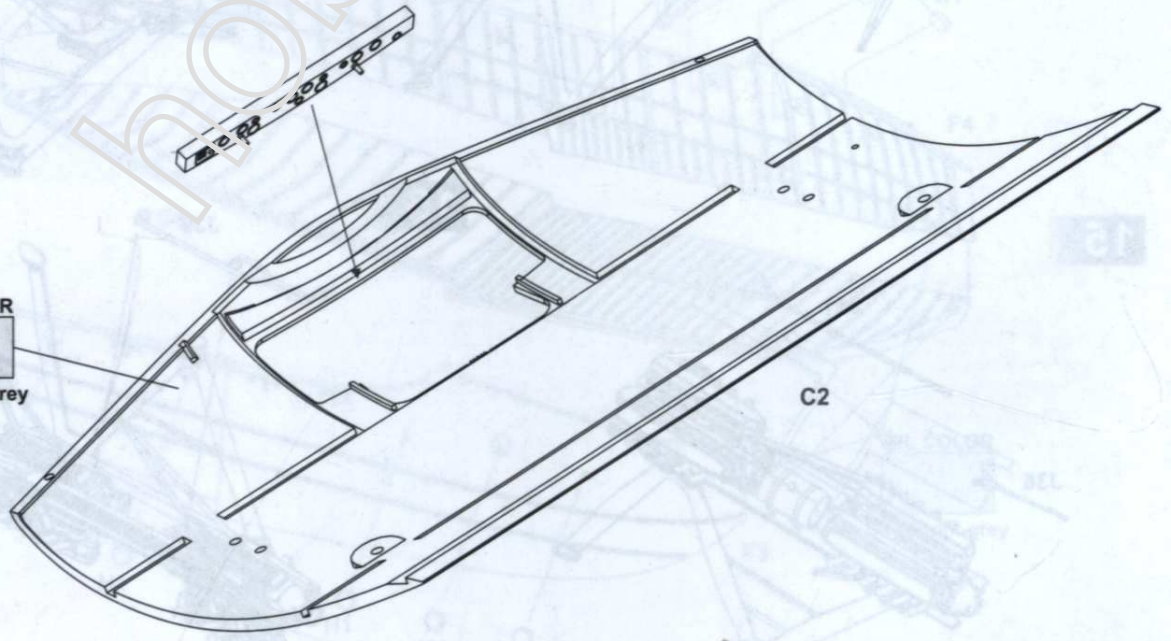


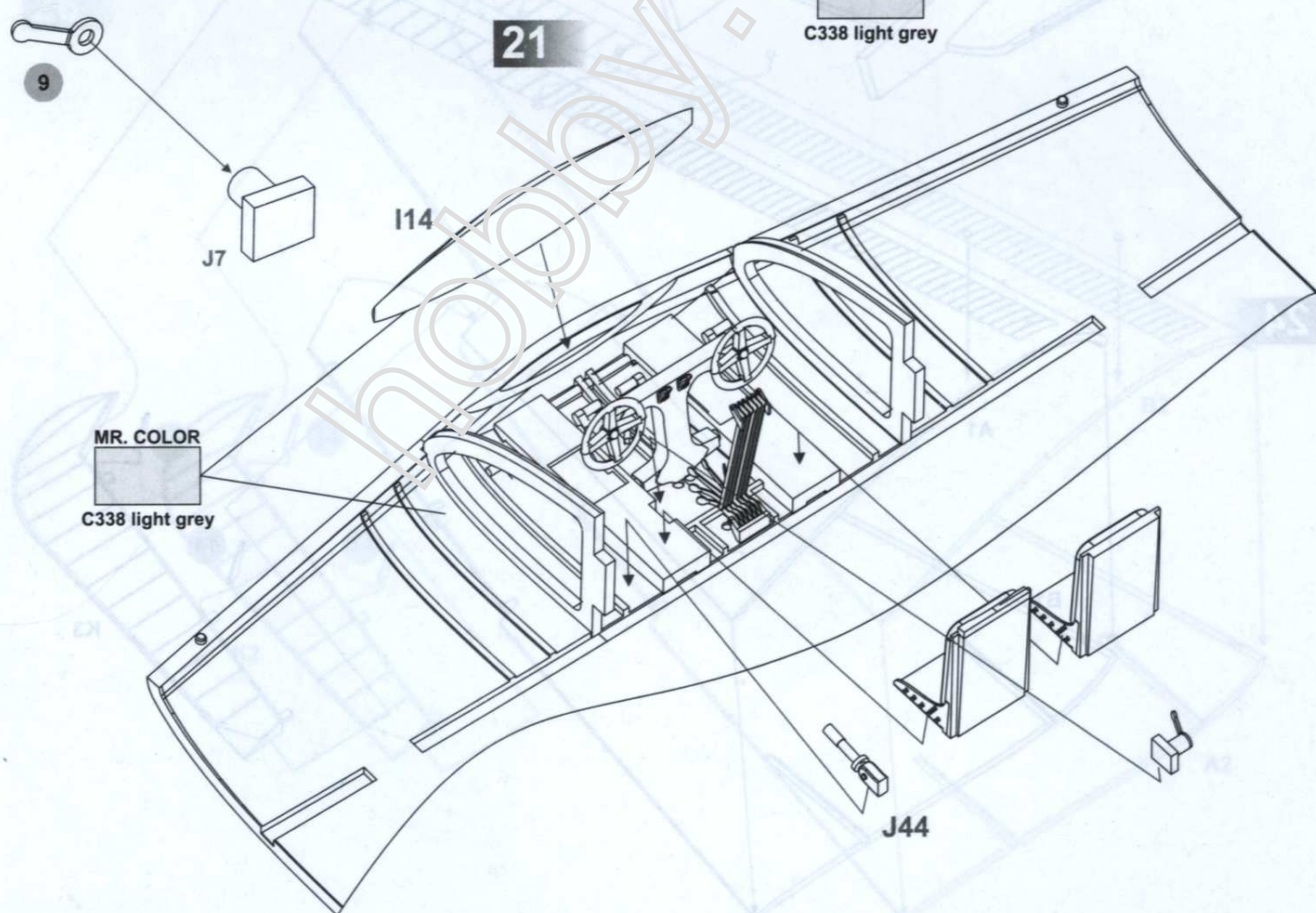
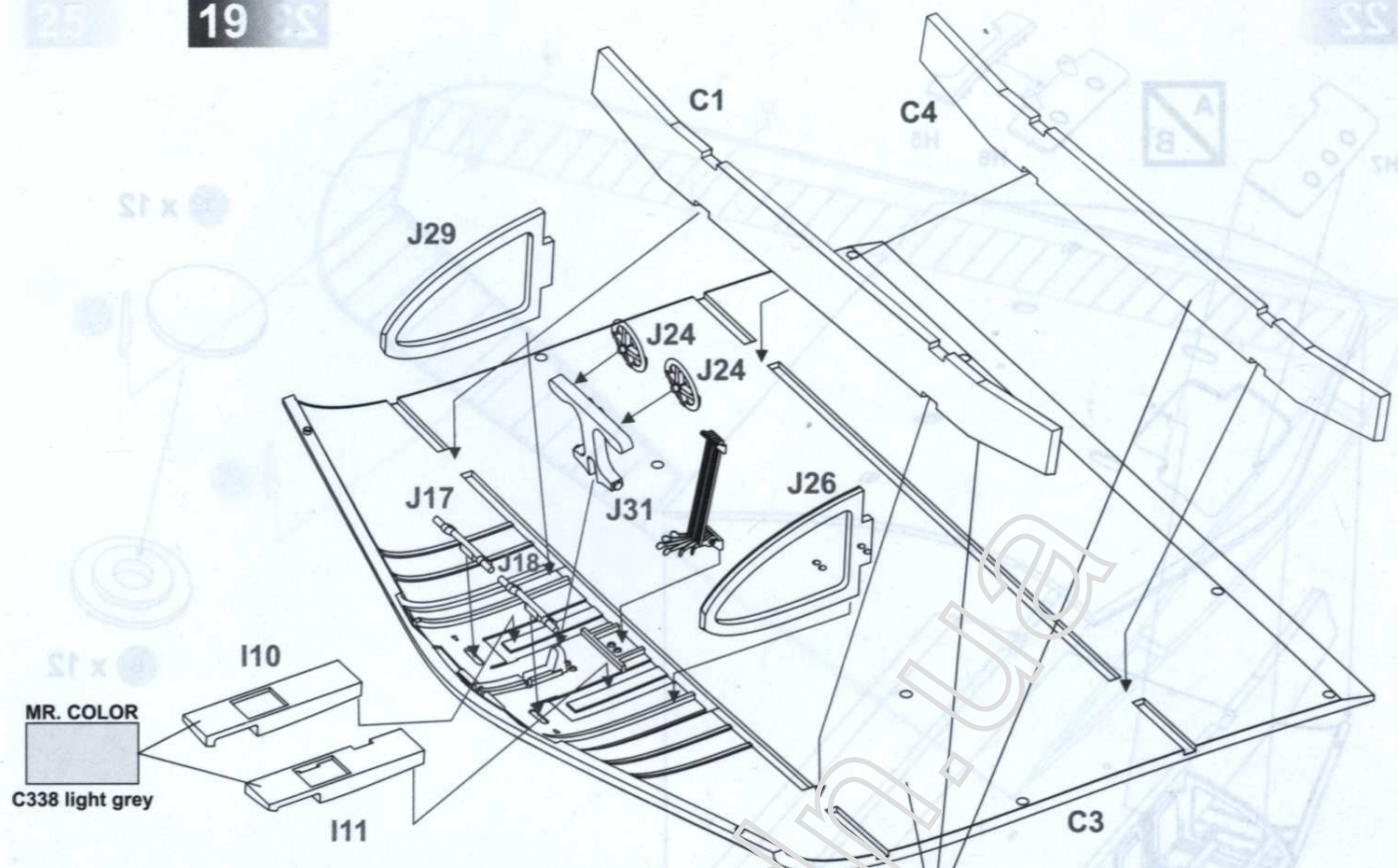
17



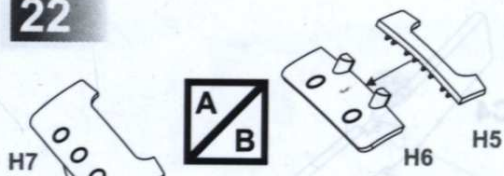
18

MR. COLOR
C338 light grey





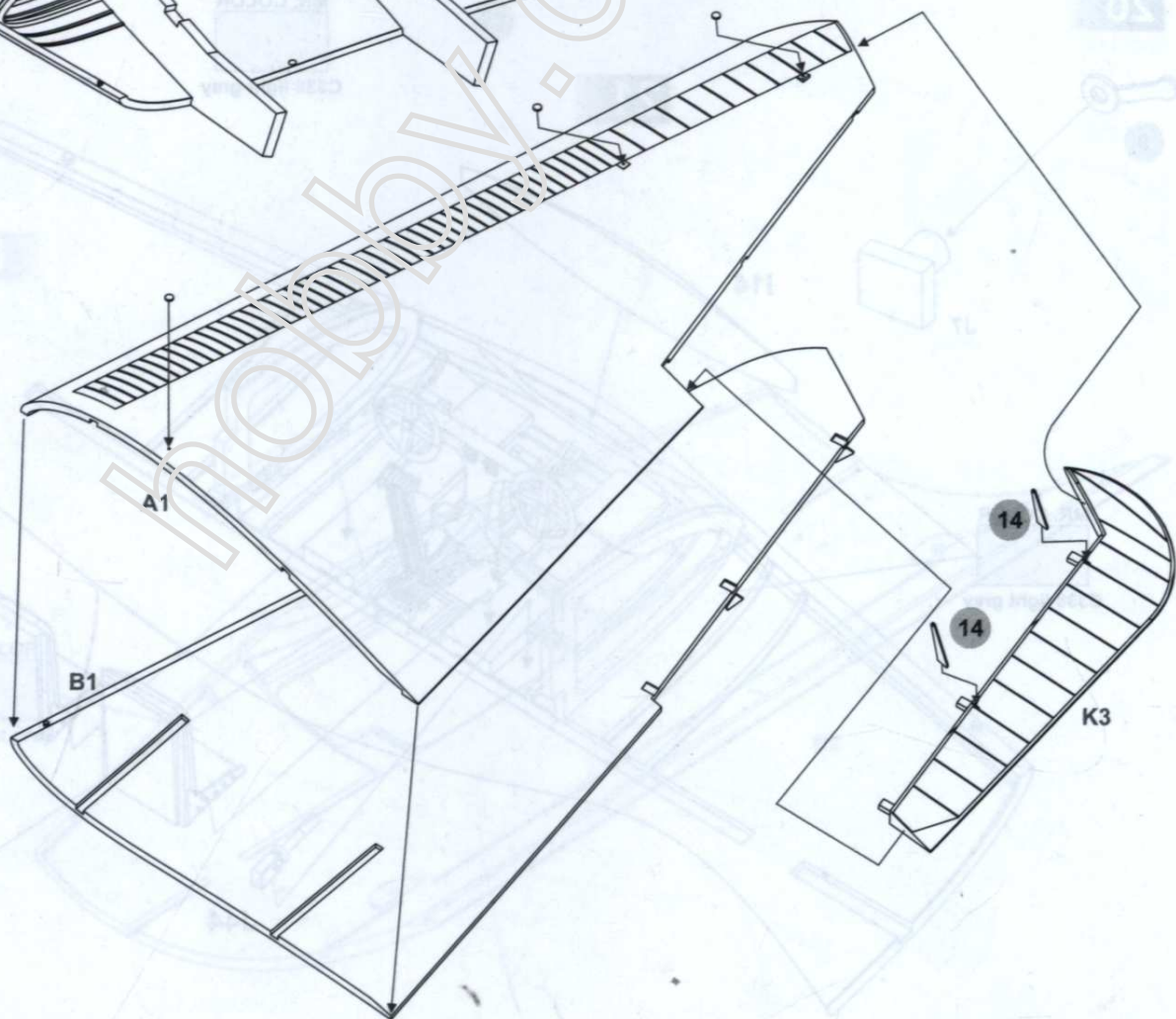
22



23

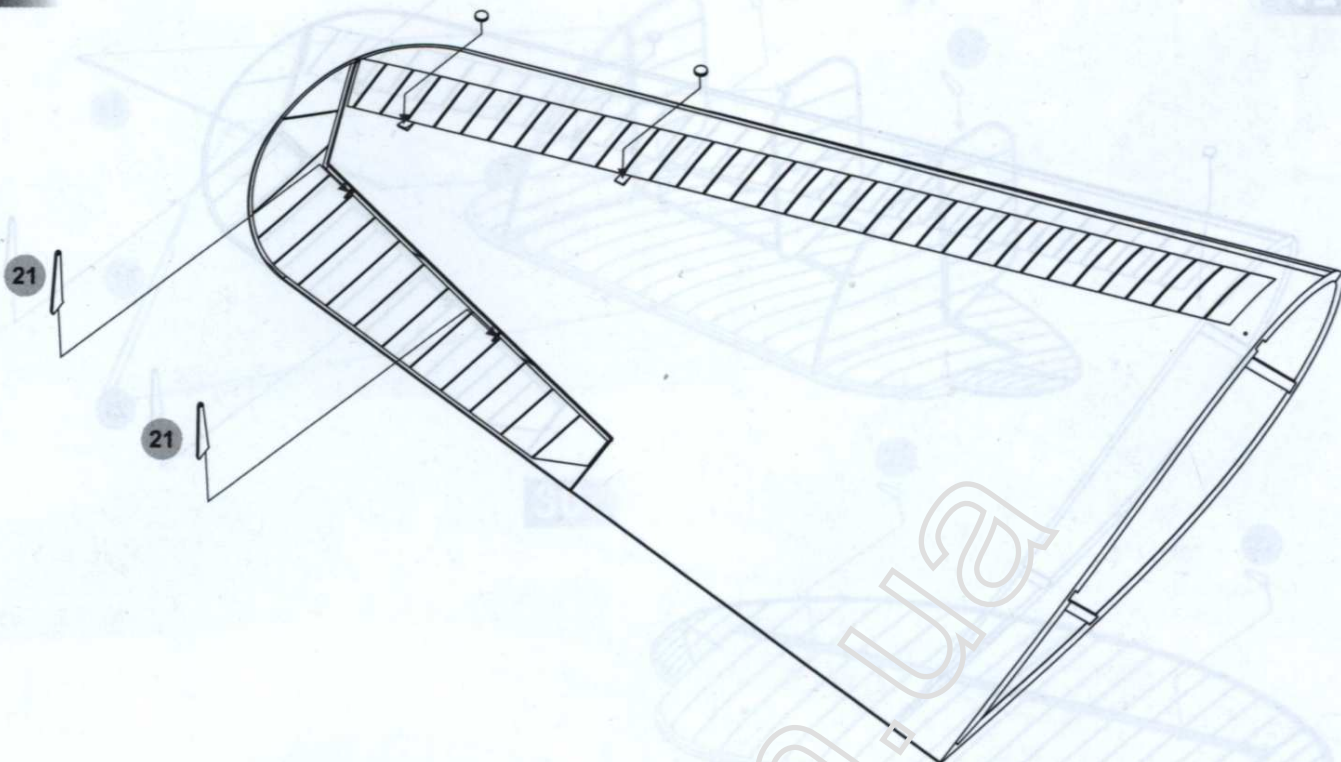


24



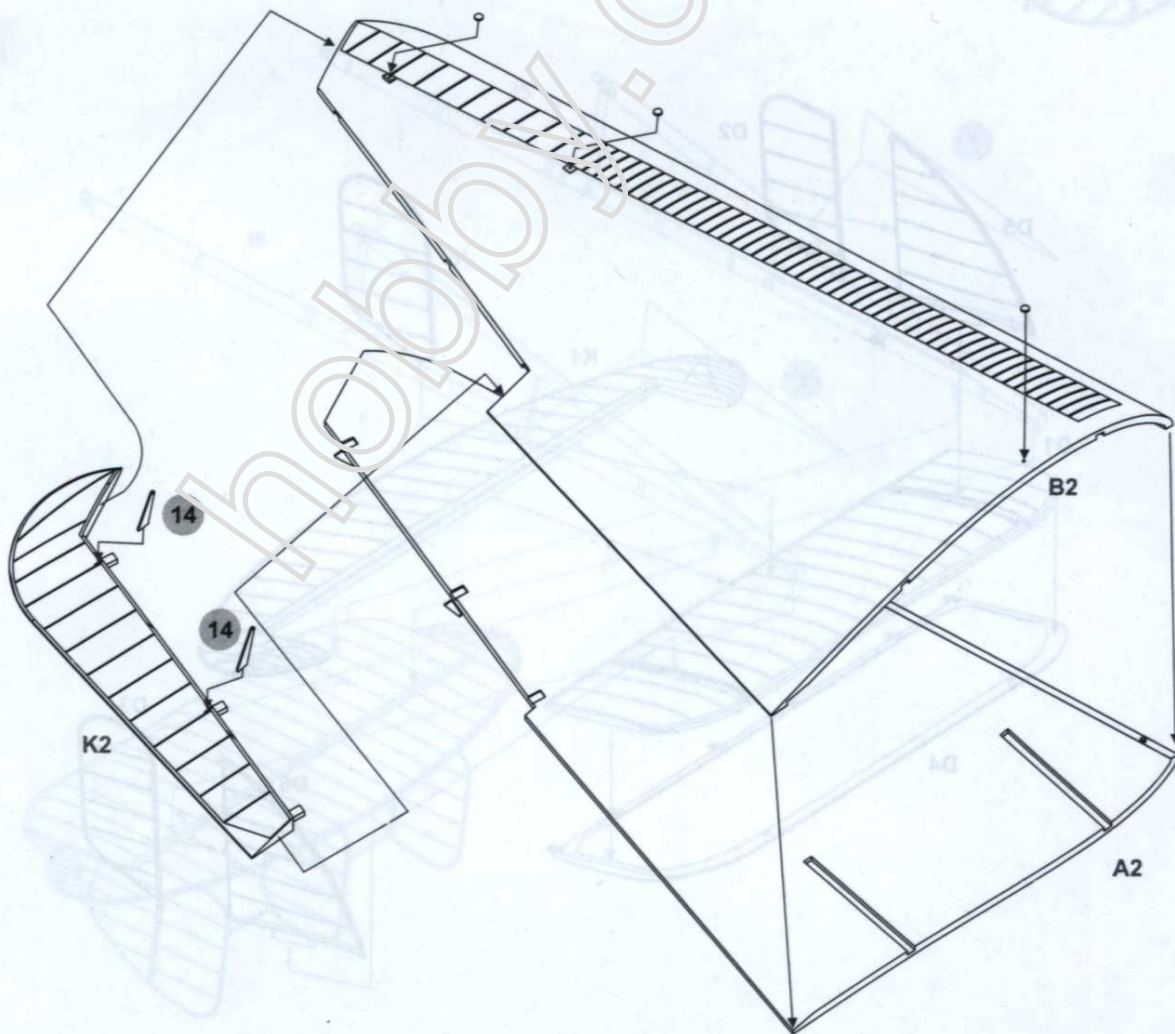
25

55

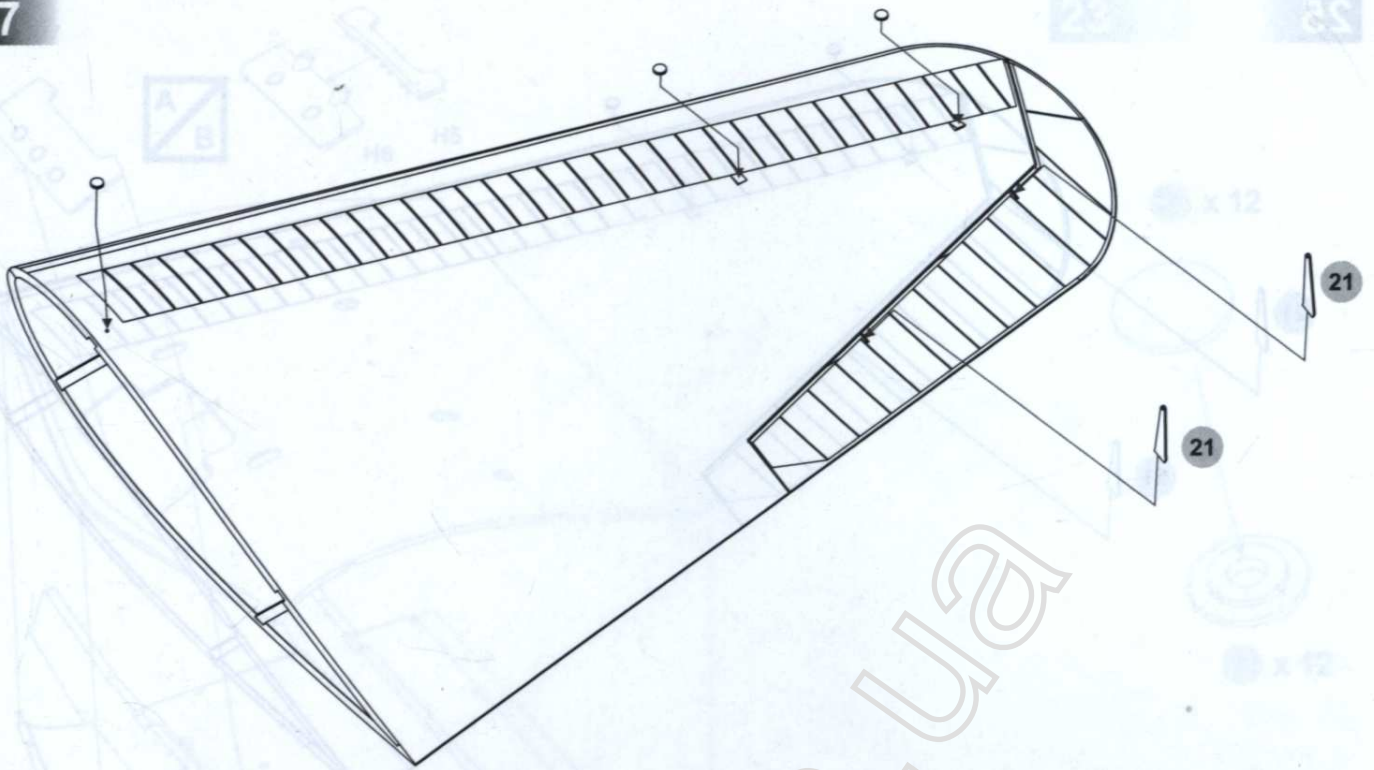


26

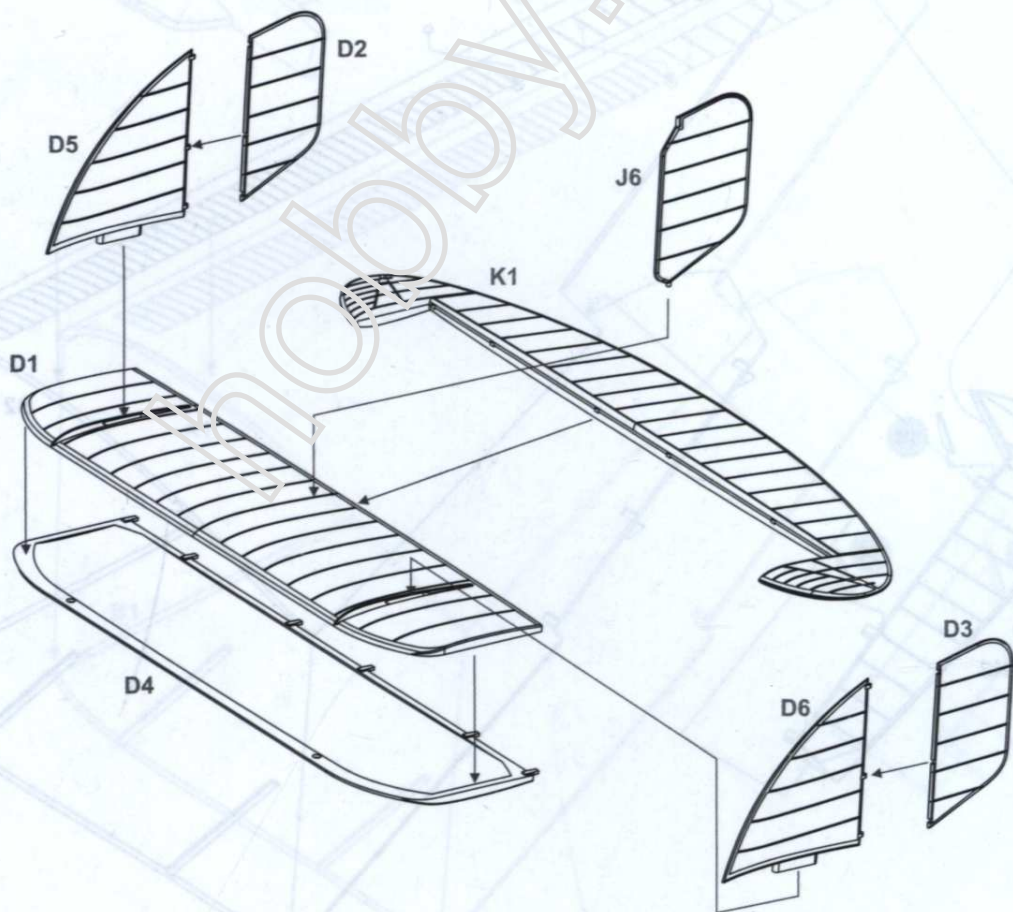
55



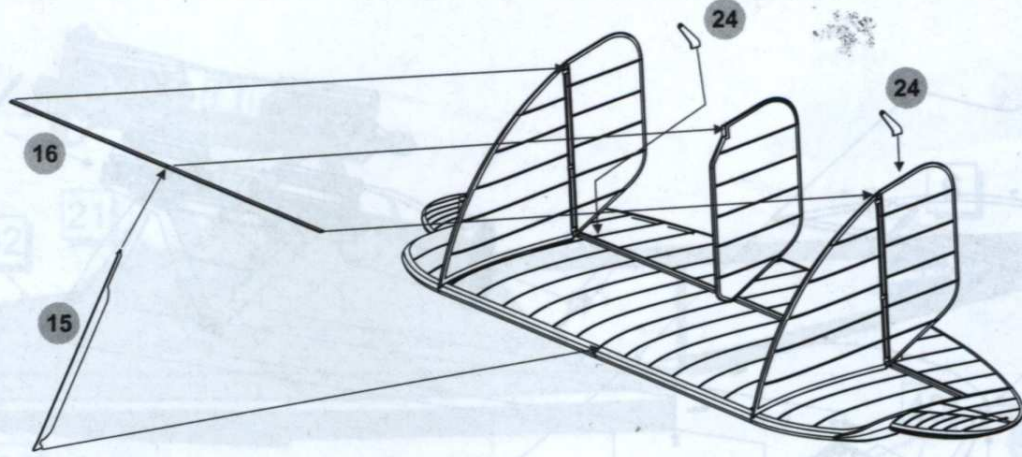
27



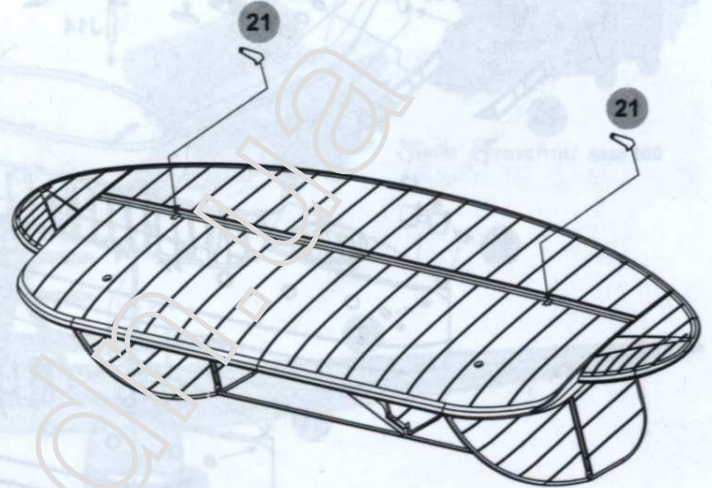
28



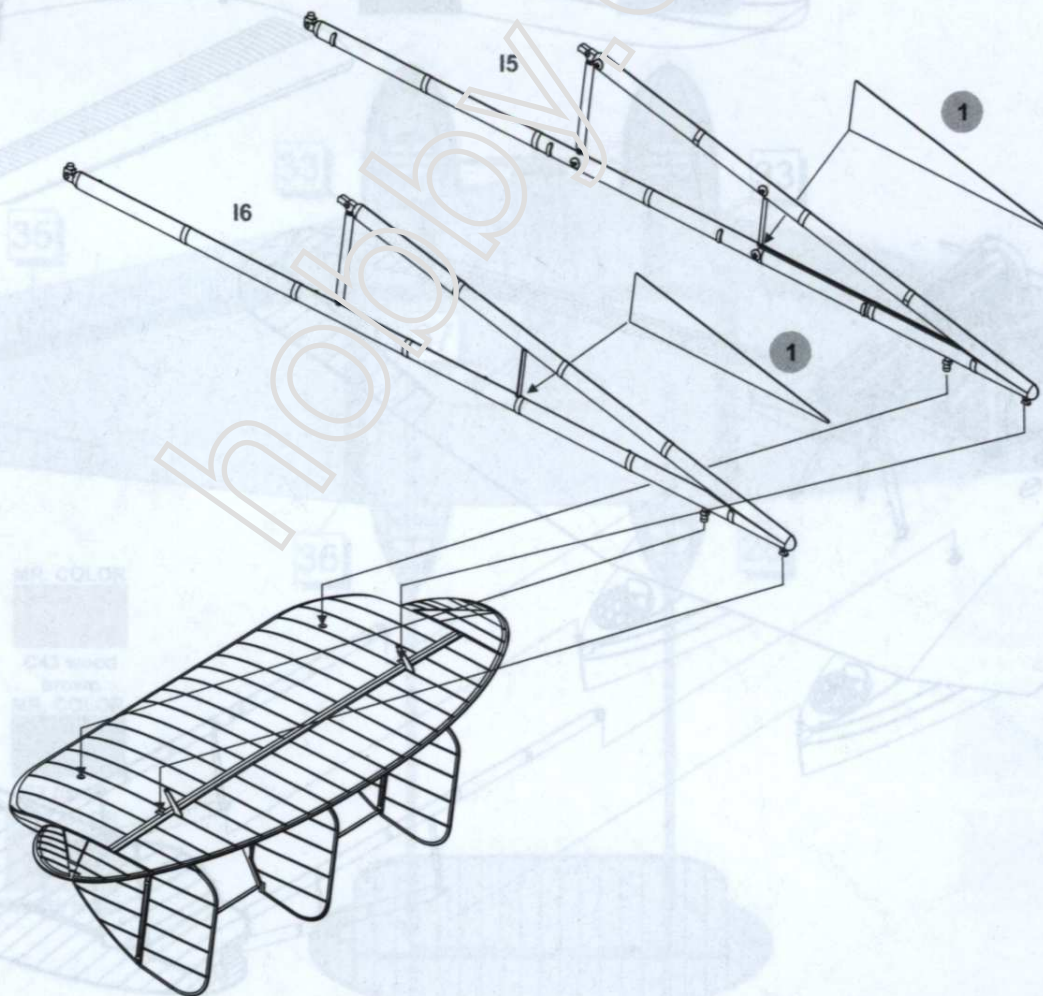
29



30

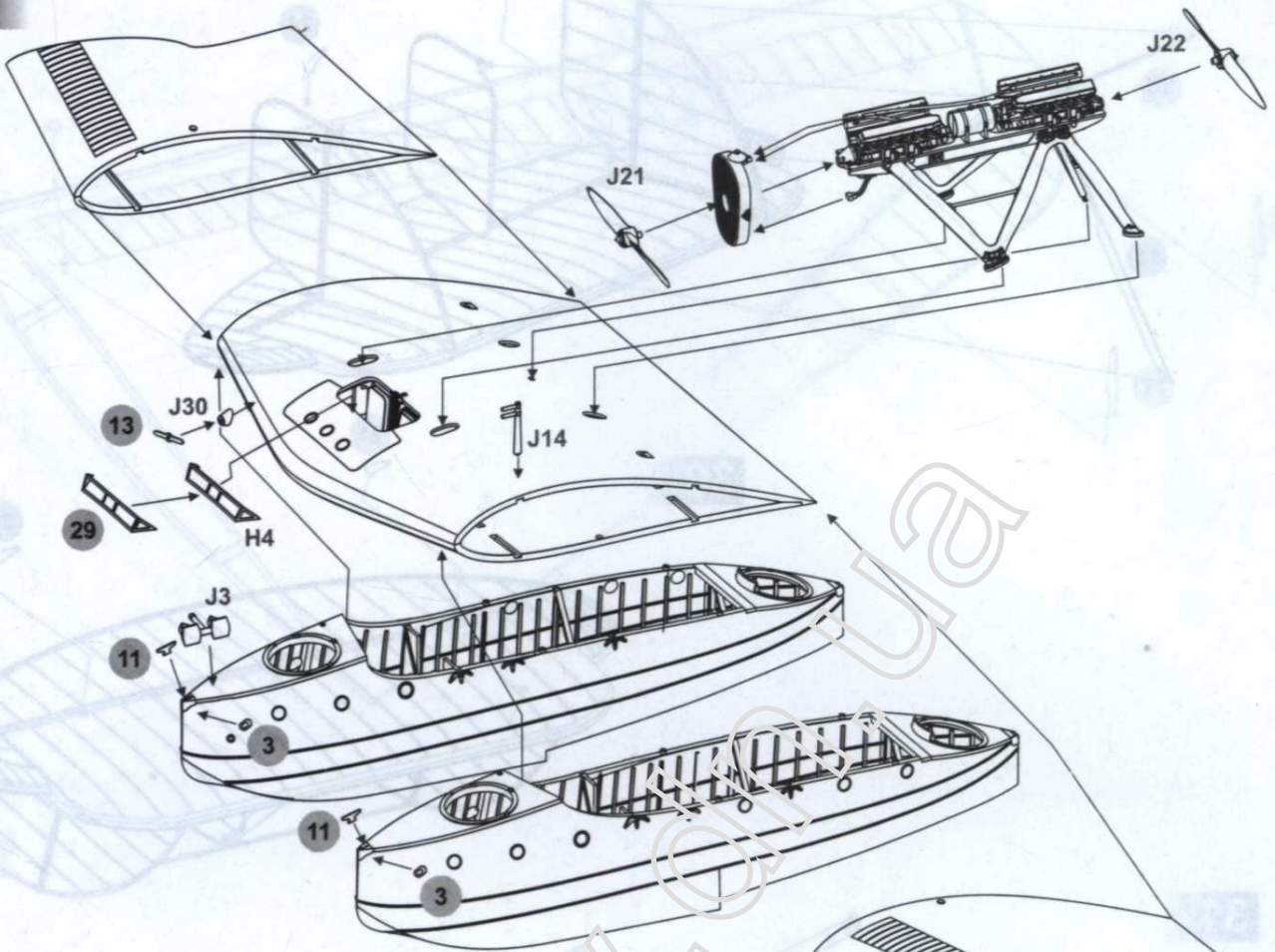


31

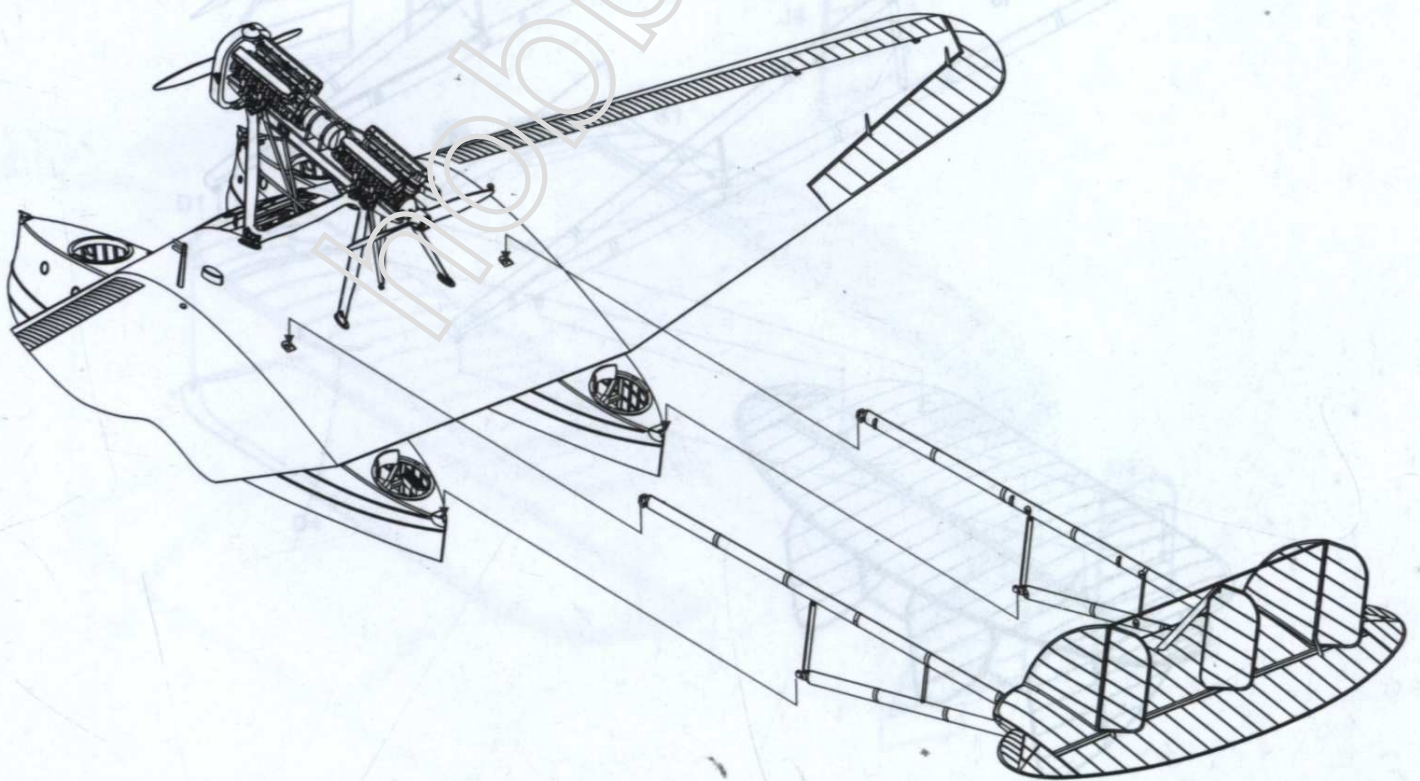


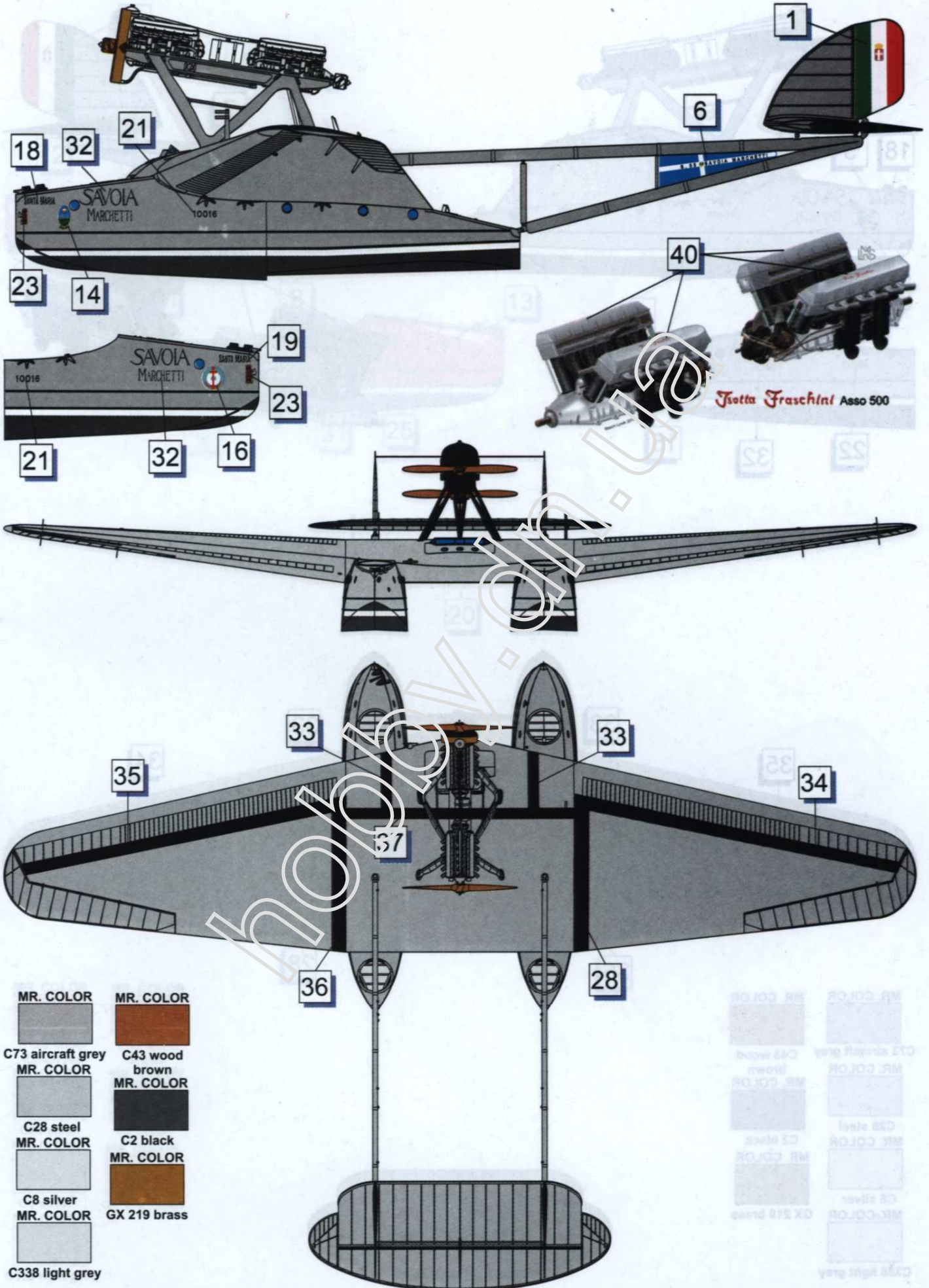
MR COLOR
C73 aircraft grey
MR COLOR
C43 wood
MR COLOR
brown

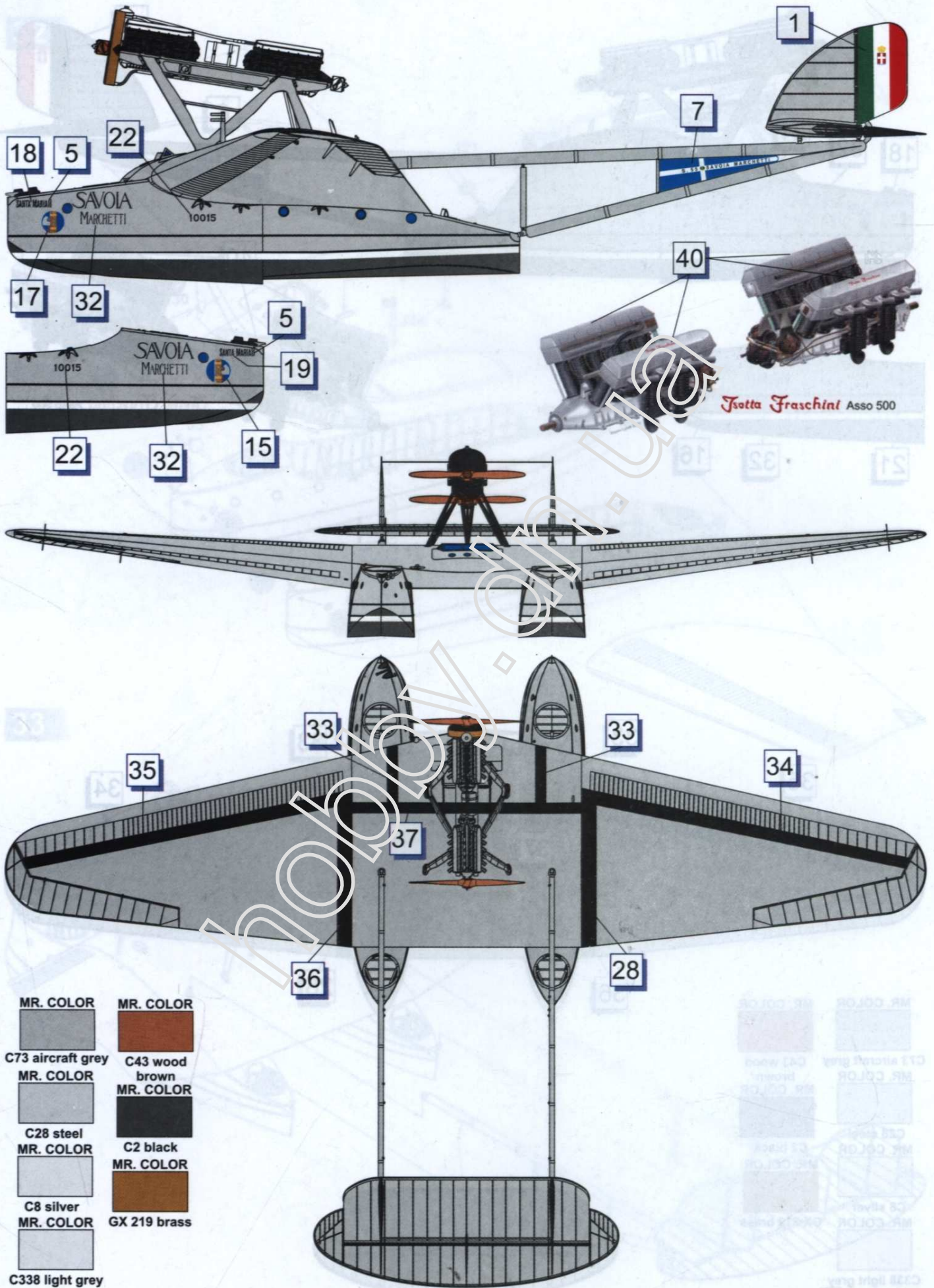
32



33







2. S.55 JAHU, registration number I-BAUQ (ex- I-SAAV). Flight across the Atlantic, April 28, 1927. Pilot João Ribeiro de Barros.

